

A300482- COMPONENTS

PROJECT _____

TYPE _____

NOTES _____

QUANTITY _____

DATE _____

A380625-

DESCRIPTION

Slider Suspension - Plastic Endcap

GENERAL

Series: Slider

Partner: Prolicht

Division: Architectural

PHYSICAL

Shape: Rectangle

Length (mm): 76

Length (in): 3

Width (mm): 60

Width (in): 2 ³/₈

Height (mm): 20

Height (in): 13/16

Fixture Finish: BLK / WHI

Fixture Material: Plastic

LED

CRI: >90 CRI

RATINGS AND CERTIFICATIONS

Certified By: CSA Certified to UL and CSA Standards

IP rating: IP40



A300482- COMPONENTS

A380626-

DESCRIPTION

Slider Suspension - Painted Endcap

GENERAL

Series: Slider

Partner: Prolicht

Division: Architectural

PHYSICAL

Shape: Rectangle

Length (mm): 76

Length (in): 3

Width (mm): 60

Width (in): 2 ³/₈

Height (mm): 20

Height (in): 13/16

Fixture Finish: SSR / BKV / CWI / CRY / HAB / UFT / ITA / RUA / FTG / MYG / LOD / PUS / FRO / FUP / KIA / POP / BLS / SPG / MEY / GOH / CHC / COM / ABZ / JAG / OBR / MOS / ROR

Fixture Material: Extruded Aluminum

LED

CRI: >90 CRI

RATINGS AND CERTIFICATIONS

Certified By: CSA Certified to UL and CSA Standards

IP rating: IP40



A300482- COMPONENTS

PROJECT _____

TYPE _____

NOTES _____

QUANTITY _____

DATE _____

A380629-

DESCRIPTION

Slider - Raster Suspension - Plastic Endcap

GENERAL

Series: Slider

Partner: Prolicht

Division: Architectural

PHYSICAL

Shape: Rectangle

Length (mm): 76

Length (in): 3

Width (mm): 60

Width (in): 2 ³/₈

Height (mm): 20

Height (in): 13/16

Fixture Finish: BLK / WHI

Fixture Material: Plastic

LED

CRI: >90 CRI

RATINGS AND CERTIFICATIONS

Certified By: CSA Certified to UL and CSA Standards

IP rating: IP40



A300482- COMPONENTS

PROJECT

TYPE

NOTES

QUANTITY

DATE

A380630-

DESCRIPTION

Slider - Raster Suspension - Painted Endcap

GENERAL

Series: Slider

Partner: Prolicht

Division: Architectural

PHYSICAL

Shape: Rectangle

Length (mm): 76

Length (in): 3

Width (mm): 60

Width (in): 2 $\frac{3}{8}$

Height (mm): 20

Height (in): 13/16

Fixture Finish: SSR / BKV / CWI / CRY / HAB / UFT / ITA / RUA / FTG / MYG / LOD / PUS / FRO / FUP / KIA / POP / BLS / SPG / MEY / GOH / CHC / COM / ABZ / JAG / OBR / MOS / ROR

Fixture Material: Extruded Aluminum

LED

CRI: >90 CRI

RATINGS AND CERTIFICATIONS

Certified By: CSA Certified to UL and CSA Standards

IP rating: IP40



PROJECT	
TYPE	
NOTES	
QUANTITY	
DATE	

A300482- COMPONENTS

A380633-

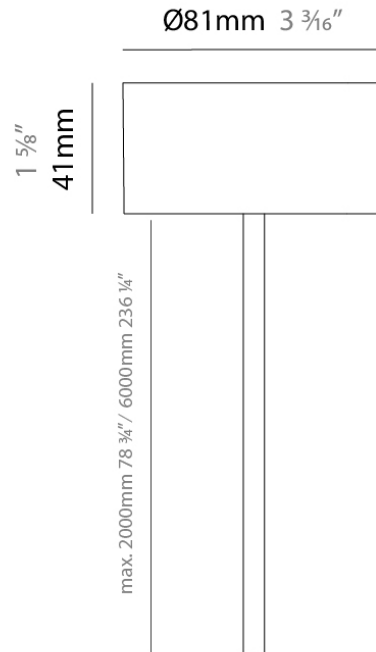
DESCRIPTION
Slider - Round Canopy for Suspension

GENERAL
Series: Slider
Partner: Prolicht
Division: Architectural

PHYSICAL
Diameter (mm): 81
Diameter (in): 3 3/16"
Height (mm): 41
Height (in): 1 5/8"
Fixture Finish: BLK / WHI
Fixture Material: Extruded Aluminum
Cable Details: 2,000mm / 78 3/4" or 6,000mm / 236 1/4" - Cable finishes - White, Black, Orange, Red

LED
CRI: >90 CRI

RATINGS AND CERTIFICATIONS
Certified By: CSA Certified to UL and CSA Standards
IP rating: IP40



PROJECT	
TYPE	
NOTES	
QUANTITY	
DATE	

A300482- COMPONENTS

A380634-

DESCRIPTION

Slider - Round Canopy for Suspension for Dali Dimm

GENERAL

Series: Slider
 Partner: Prolicht
 Division: Architectural

PHYSICAL

Diameter (mm): 81
 Diameter (in): 3 ³/₁₆
 Height (mm): 41
 Height (in): 1 ⁵/₈
 Fixture Finish: BLK / WHI
 Fixture Material: Extruded Aluminum
 Cable Details: 2,000mm / 78 3/4" or 6,000mm / 236 1/4" - Cable finishes - White, Black, Orange, Red

LED

CRI: >90 CRI

RATINGS AND CERTIFICATIONS

Certified By: CSA Certified to UL and CSA Standards
 IP rating: IP40



A300482- COMPONENTS

A380635-

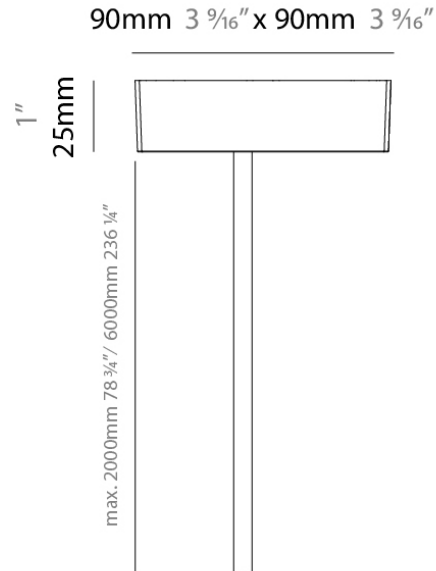
DESCRIPTION
 Slider - Square Canopy for Suspension

GENERAL
 Series: Slider
 Partner: Prolicht
 Division: Architectural

PHYSICAL
 Length (mm): 90
 Length (in): 3 ⁹/₁₆
 Width (mm): 90
 Width (in): 3 ⁹/₁₆
 Height (mm): 25
 Height (in): 1
 Fixture Finish: SSR / BKV / CWI / CRY / HAB / UFT / ITA / RUA / FTG / MYG / LOD / PUS / FRO / FUP / KIA / POP / BLS / SPG / MEY / GOH / CHC / COM / ABZ / JAG / OBR / MOS / ROR
 Fixture Material: Extruded Aluminum
 Cable Details: 2,000mm / 78 3/4" or 6,000mm / 236 1/4" - Cable finishes - White, Black, Orange, Red

LED
 CRI: >90 CRI

RATINGS AND CERTIFICATIONS
 Certified By: CSA Certified to UL and CSA Standards
 IP rating: IP40



A300482- COMPONENTS

A380636-

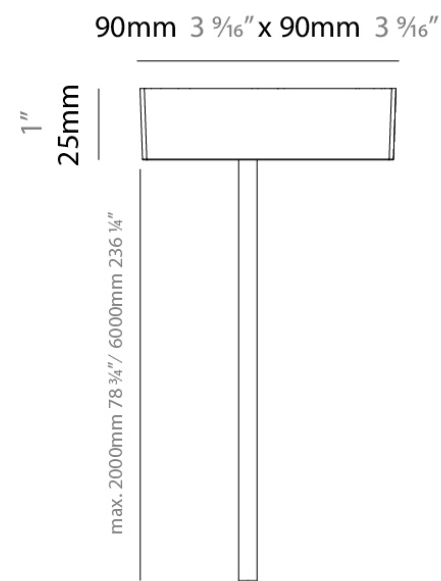
DESCRIPTION
 Slider - Square Canopy for Suspension for Dali Dimm

GENERAL
 Series: Slider
 Partner: Prolicht
 Division: Architectural

PHYSICAL
 Length (mm): 90
 Length (in): 3 ⁹/₁₆
 Width (mm): 90
 Width (in): 3 ⁹/₁₆
 Height (mm): 25
 Height (in): 1
 Fixture Finish: SSR / BKV / CWI / CRY / HAB / UFT / ITA / RUA / FTG / MYG / LOD / PUS / FRO / FUP / KIA / POP / BLS / SPG / MEY / GOH / CHC / COM / ABZ / JAG / OBR / MOS / ROR
 Fixture Material: Extruded Aluminum
 Cable Details: 2,000mm / 78 3/4" or 6,000mm / 236 1/4" - Cable finishes - White, Black, Orange, Red

LED
 CRI: >90 CRI

RATINGS AND CERTIFICATIONS
 Certified By: CSA Certified to UL and CSA Standards
 IP rating: IP40



A300482- COMPONENTS

PROJECT _____

TYPE _____

NOTES _____

QUANTITY _____

DATE _____

A380637-

DESCRIPTION

Slider - Suspension Clip with Mounting Clip

GENERAL

Series: Slider

Partner: Prolicht

Division: Architectural

PHYSICAL

Length (mm): 38

Length (in): 1 1/2

Width (mm): 30

Width (in): 1 3/16

Height (mm): 12

Height (in): 1/2

Fixture Material: Extruded Aluminum

LED

CRI: >90 CRI

RATINGS AND CERTIFICATIONS

Certified By: CSA Certified to UL and CSA Standards

IP rating: IP40



LEGEND

	floor-mounted		pivotable		special LED (upon request) RGB, RGBW, tunable, gold+, meat+, art+, fashion+
	wall and ceiling: recessed and surface mounted		rotating		warm dim / natural dimming LED
	ceiling-mounted and wall-mounted		illuminate tilted		rechargeable battery powered
	wall-mounted		color of suspension cable		fixture with natural vivid LED (upon request)
	omni-directional light distribution		length of suspension cable		color rendering index
	direct light distribution		reflector degree selection		color temperature
	direct/indirect light distribution		super spot		lumen (luminous flux)
	indirect light distribution		lens		efficacy (lumens per watt)
	asymmetric light distribution		lens pack		Unified Glare Rating (UGR) range from 5-40
	aura light distribution		shine ring		marine grade (AISI 316 stainless steel)
	round wall or ceiling cut-out		integrated shine ring with diffuser		walk on
	square wall or ceiling cut-out		free individual colors 01-29		drive on
	the supplied jig specifies the cutout dimensions		individual colors: 00 (free of charge), 01-25 (extra charge)		Dark Sky Compliance
	minimum distance (meters) lamp - object		luminaire part to be colored (F1)		Americans with Disabilities Act (less than 4" off the wall located between 27"-84" from floor)
	recessed depth		luminaire part to be colored (F2)		lamp protected against explosion
	ceiling thickness in mm		luminaire part to be colored (F3)		blown glass using traditional methods by master glass blower
	ceiling thickness selection		luminaire part to be colored (F4)		acoustic material
	dimmable DP (phase), DV (0-10V), DD (dali), DS (step-dim)		luminaire part to be colored (F5)		protection class I, protection insulation
	included or excluded LED driver/transformer/control gear		color of 3-circuit adaptor		protection class II, protection insulation
	separately switchable		indirect diffuser		ETL Certified to UL and CSA Standards
	sensor		direct diffuser		UL Certified to UL and CSA Standards
	remote control		ball-proof (upon request)		CSA Certified to UL and CSA Standards
	available upon request		accessory		Certified for North American Standards

IP RATING

	protected against ingress of solid bodies greater than 12.5mm (finger)
	protected against ingress of solid bodies greater than 2.5mm protected against sprays of water up to 60 degrees from the vertical (rain)
	protected against ingress of solid bodies greater than 1mm (wire) no protection against the ingress of moisture
	protected against ingress of solid bodies greater than 1mm (wire) protected against sprays of water up to 60 degrees from the vertical (rain)
	protected against ingress of solid bodies greater than 1mm (wire) protected against water splashed from all directions
	protected against limited ingress of dust (wet rooms/covered outdoor areas) protected against water splashed from all directions
	protected against ingress of dust protected against jets of water
	protected against ingress of dust protected against powerful jets of water or heavy seas
	protected against ingress of dust protected against immersion of water between 15cm - 1m for 30 minutes
	protected against ingress of dust protected against immersion of water under pressure for long periods

IK RATING

	protected against 0.14 joules impact (equivalent to 0.25kg mass dropped from 56mm above the surface)
	protected against 0.2 joules impact (equivalent to 0.25kg mass dropped from 80mm above the surface)
	protected against 0.35 joules impact (equivalent to 0.25kg mass dropped from 140mm above the surface)
	protected against 0.5 joules impact (equivalent to 0.25kg mass dropped from 200mm above the surface)
	protected against 0.7 joules impact (equivalent to 0.25kg mass dropped from 280mm above the surface)
	protected against 1 joules impact (equivalent to 0.25kg mass dropped from 400mm above the surface)
	protected against 2 joules impact (equivalent to 0.5kg mass dropped from 400mm above the surface)
	protected against 5 joules impact (equivalent to 1.7kg mass dropped from 300mm above the surface)
	protected against 10 joules impact (equivalent to 5.0kg mass dropped from 200mm above the surface)
	protected against 20 joules impact (equivalent to 5.0kg mass dropped from 400mm above the surface)