

A32L420-TRK-TRI-SYS COMPONENTS TRIMLESS

A38788

DESCRIPTION

2Look4 20 Track - Trimless - Aluminum Profile - per meter up a max of 3000mm - Black

GENERAL

Series: 2Look4 20 Track

Brand: Prolicht

Division: Architectural

Mounting Type: Trimless

Mounting Location: Ceiling

PHYSICAL

Shape: Rectangle

Length (mm): 1000

Length (in): $39 \frac{3}{8}$

Width (mm): 109

Width (in): $4 \frac{5}{16}$

Height (mm): 54

Height (in): $2 \frac{1}{8}$

Weight (kg): 1.7335

Weight (lbs): $3 \frac{13}{16}$

Fixture Finish: BLK

Fixture Material: Aluminum

RATINGS AND CERTIFICATIONS

Certified By: Certified for North American Standards

IP rating: IP20



A32L420-TRK-TRI-SYS COMPONENTS TRIMLESS

A38789

DESCRIPTION

2Look4 20 Track - Trimless - End Power Supply - Type-E1 - Black

GENERAL

Series: 2Look4 20 Track

Brand: Prolicht

Division: Architectural

Mounting Type: Trimless

Mounting Location: Ceiling

Subcategory: Profile

PHYSICAL

Shape: Rectangle

Length (mm): 97

Length (in): $3 \frac{13}{16}$

Width (mm): 109

Width (in): $4 \frac{5}{16}$

Height (mm): 54

Height (in): $2 \frac{1}{8}$

Weight (kg): 0.214

Weight (lbs): 1/2

Fixture Finish: BLK

Fixture Material: Aluminum

RATINGS AND CERTIFICATIONS

Certified By: Certified for North American Standards

IP rating: IP20



A32L420-TRK-TRI-SYS COMPONENTS TRIMLESS

A38790

DESCRIPTION

2Look4 20 Track - Trimless - End Power Supply - Type-E2 - Black

GENERAL

Series: 2Look4 20 Track

Brand: Prolicht

Division: Architectural

Mounting Type: Trimless

Mounting Location: Ceiling

Subcategory: Profile

PHYSICAL

Shape: Rectangle

Length (mm): 97

Length (in): $3 \frac{13}{16}$

Width (mm): 109

Width (in): $4 \frac{15}{16}$

Height (mm): 54

Height (in): $2 \frac{1}{8}$

Weight (kg): 0.214

Weight (lbs): 1/2

Fixture Material: Aluminum

RATINGS AND CERTIFICATIONS

Certified By: Certified for North American Standards

IP rating: IP20



A32L420-TRK-TRI-SYS COMPONENTS TRIMLESS

A38791

DESCRIPTION

2Look4 20 Track - Trimless - End Cap - Black

GENERAL

Series: 2Look4 20 Track

Brand: Prolicht

Division: Architectural

Mounting Type: Trimless

Mounting Location: Ceiling

PHYSICAL

Shape: Rectangle

Length (mm): 43

Length (in): 1 ¹¹/₁₆

Height (mm): 54

Height (in): 2 ¹/₈

Weight (kg): 0.014

Weight (lbs): 1/2

Fixture Material: Aluminum

ELECTRICAL

Driver Included: No

RATINGS AND CERTIFICATIONS

Certified By: Certified for North American Standards

IP rating: IP20



A32L420-TRK-TRI-SYS COMPONENTS

PROJECT

TYPE

NOTES

QUANTITY

DATE

A38792

DESCRIPTION

2Look4 20 Track - Trimless - Linear Coupler - Black

GENERAL

Series: 2Look4 20 Track

Brand: Prolicht

Division: Architectural

PHYSICAL

Shape: Rectangle

Length (mm): 115

Length (in): 4 1/2

Width (mm): 26

Width (in): 1

Height (mm): 34

Height (in): 1 5/16

Weight (kg): 0.1

Weight (lbs): 3/8

Fixture Material: Aluminum

RATINGS AND CERTIFICATIONS

Certified By: Certified for North American Standards

IP rating: IP20



A32L420-TRK-TRI-SYS COMPONENTS TRIMLESS

PROJECT

TYPE

NOTES

QUANTITY

DATE

A38794

DESCRIPTION

2Look4 20 Track - Trimless - Corner Coupler 90° - Type -L2 - Black

GENERAL

Series: 2Look4 20 Track

Brand: Prolicht

Division: Architectural

Mounting Type: Trimless

Mounting Location: Ceiling

Subcategory: Profile

PHYSICAL

Length (mm): 182

Length (in): $7 \frac{3}{16}$

Width (mm): 182

Width (in): $7 \frac{3}{16}$

Height (mm): 54

Height (in): $2 \frac{1}{8}$

Weight (kg): 0.32

Weight (lbs): $11/16$

Fixture Finish: BLK

Fixture Material: Aluminum

RATINGS AND CERTIFICATIONS

Certified By: Certified for North American Standards

IP rating: IP20



A32L420-TRK-TRI-SYS COMPONENTS TRIMLESS

A38795

DESCRIPTION

2Look4 20 Track - Trimless - 3-Track - 1000mm / 39 3/8" - Black

GENERAL

Series: 2Look4 20 Track

Brand: Prolicht

Division: Architectural

Mounting Type: Trimless

Mounting Location: Ceiling

Subcategory: Profile

PHYSICAL

Shape: Rectangle

Length (mm): 1000

Length (in): 39 ³/₈

Width (mm): 32

Width (in): 1 ¹/₄

Height (mm): 38

Height (in): 1 ¹/₂

Weight (kg): 1.1

Weight (lbs): 2 7/16

Fixture Material: Aluminum

ELECTRICAL

Driver Included: No

RATINGS AND CERTIFICATIONS

Certified By: Certified for North American Standards

IP rating: IP20



A32L420-TRK-TRI-SYS COMPONENTS TRIMLESS

A38796

DESCRIPTION

2Look4 20 Track - Trimless - 3-Track - 2000mm / 78 3/4"

GENERAL

Series: 2Look4 20 Track

Brand: Prolicht

Division: Architectural

Mounting Type: Trimless

Mounting Location: Ceiling

Subcategory: Profile

PHYSICAL

Shape: Rectangle

Length (mm): 2000

Length (in): 78 3/4

Width (mm): 32

Width (in): 1 1/4

Height (mm): 38

Height (in): 1 1/2

Weight (kg): 2.2

Weight (lbs): 4 7/8

Fixture Material: Aluminum

RATINGS AND CERTIFICATIONS

Certified By: Certified for North American Standards

IP rating: IP20



A32L420-TRK-TRI-SYS COMPONENTS TRIMLESS

A38797

PROJECT

TYPE

NOTES

QUANTITY

DATE

DESCRIPTION

2Look4 20 Track - Trimless - 3-Track - 3000mm / 118 1/8"

GENERAL

Series: 2Look4 20 Track

Brand: Prolicht

Division: Architectural

Mounting Type: Trimless

Mounting Location: Ceiling

Subcategory: Profile

PHYSICAL

Shape: Rectangle

Length (mm): 3000

Length (in): 118 1/8

Width (mm): 32

Width (in): 1 1/4

Height (mm): 38

Height (in): 1 1/2

Weight (kg): 3.3

Weight (lbs): 7 1/4

Fixture Material: Aluminum

RATINGS AND CERTIFICATIONS

Certified By: Certified for North American Standards

IP rating: IP20



PROJECT	
TYPE	
NOTES	
QUANTITY	
DATE	

A32L420-TRK-TRI-SYS COMPONENTS

A3T072-

DESCRIPTION

Imagine - Track Head - 60mm / 2 3/8" - 12.1W (2700K) / 14.7W LED (Zhaga Standard) - 2700K / 3000K / 3500K / 4000K - Reflector 10°

GENERAL

Series: Imagine
 Subseries: Imagine 60
 Brand: Prolicht
 Division: Architectural

PHYSICAL

Shape: Cylinder
 Diameter (mm): 60
 Diameter (in): 2 3/8
 Length (mm): 196
 Length (in): 7 11/16
 Height (mm): 170
 Height (in): 6 11/16
 Light Distribution: Adjustable / Direct
 Weight (kg): 0.564
 Weight (lbs): 1.24

Fixture Finish: SSR / BKV / CWI / CRY / HAB / UFT / ITA / RUA / FTG / MYG / LOD / PUS / FRO / FUP / KIA / POP / BLS / SPG / MEY / GOH / GUM / CHC / COM / ABZ / JAG / OBR / MOS / ROR

Fixture Material: Aluminum Die Cast

ELECTRICAL

Input Wattage Range: 10 - 19 W
 Lamp Type: LED (Zhaga Standard)
 Input Wattage (W): 12.1 (2700K) / 14.7
 Total Output Wattage (W): 11 (2700K) / 13.5
 Dimming: Tri-Mode (Non-Dimming and Phase Dimming (120Vac only) and 0-10V Dimming)
 Driver Included: Yes
 Driver Location: Integrated
 Driver Type: Constant Current - Universal
 Driver Class: Class 2
 Input Voltage (V): 120 - 277
 Constant Current (MA): 350

LED

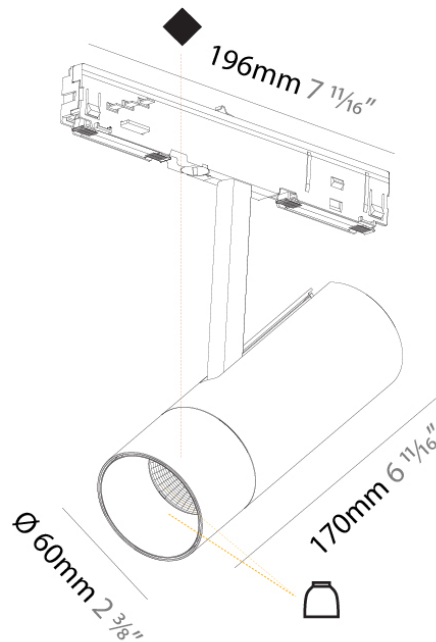
Delivered Lumen Range: 500 - 999 lm
 Number of LEDs: 1
 Color Temperature (°K): 2700 / 3000 / 3500 / 4000
 Max. Delivered Lumen (lm): 520 / 580 / 627 / 640
 Nominal Lumen (lm): 960 / 1070 / 1156 / 1180
 CRI: >90 CRI
 Lamp Life (hrs): 50000
 Upon Request: Special Color Temperature Special LED

OPTICAL

Reflector°: 10
 Beam Angle: 10
 Adjustability: Rotational 350°; Tilt 90°
 Upon Request: Special Beam Angles

RATINGS AND CERTIFICATIONS

Certified By: Certified for North American Standards
 IP rating: IP20



A32L420-TRK-TRI-SYS COMPONENTS

A3T073-

DESCRIPTION

Imagine - Track Head - 60mm / 2 3/8" - 13.4W LED (Zhaga Standard) - 2700K / 3000K / 3500K / 4000K - Dimmable - Reflectors 16° / 32° / 46°

GENERAL

Series: Imagine

Subseries: Imagine 60

Brand: Prolicht

Division: Architectural

PHYSICAL

Shape: Cylinder

Diameter (mm): 60

Diameter (in): 2 3/8

Length (mm): 196

Length (in): 7 11/16

Height (mm): 170

Height (in): 6 11/16

Light Distribution: Adjustable / Direct

Weight (kg): 0.564

Weight (lbs): 1.24

Fixture Finish: SSR / BKV / CWI / CRY / HAB / UFT / ITA / RUA / FTG / MYG / LOD / PUS / FRO / FUP / KIA / POP / BLS / SPG / MEY / GOH / GUM / CHC / COM / ABZ / JAG / OBR / MOS / ROR

Fixture Material: Aluminum Die Cast

ELECTRICAL

Input Wattage Range: 10 - 19 W

Lamp Type: LED (Zhaga Standard)

Input Wattage (W): 13.4

Total Output Wattage (W): 12.2

Dimming: Tri-Mode (Non-Dimming and Phase Dimming (120Vac only) and 0-10V Dimming)

Driver Included: Yes

Driver Location: Integrated

Driver Type: Constant Current - Universal

Driver Class: Class 2

Input Voltage (V): 120 - 277

Constant Current (mA): 350

LED

Delivered Lumen Range: 500 - 1999 lm

Number of LEDs: 1

Color Temperature (°K): 2700 / 3000 / 3500 / 4000

Max. Delivered Lumen (lm): 709 / 735 / 773 / 854

CRI: >90 CRI

Lamp Life (hrs): 50000

Upon Request: Special Color Temperature Special LED

OPTICAL

Reflector°: 16 / 32 / 46

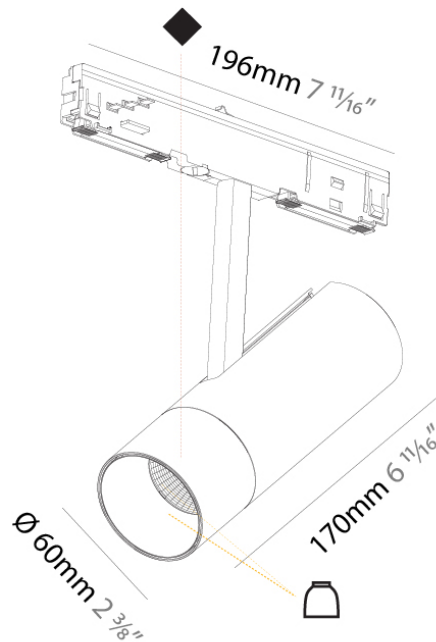
Adjustability: Rotational 350°; Tilt 90°

Upon Request: Special Beam Angles

RATINGS AND CERTIFICATIONS

Certified By: Certified for North American Standards

IP rating: IP20



PROJECT	
TYPE	
NOTES	
QUANTITY	
DATE	

A32L420-TRK-TRI-SYS COMPONENTS

A3T074-

DESCRIPTION

Imagine - Track Head - 75mm / 2 15/16" - 12.1W (2700K) / 14.7W LED (Zhaga Standard) - 2700K / 3000K / 3500K / 4000K -Reflector 10°

GENERAL

Series: Imagine
 Subseries: Imagine 75
 Brand: Prolicht
 Division: Architectural

PHYSICAL

Shape: Cylinder
 Diameter (mm): 75
 Diameter (in): 2 15/16
 Length (mm): 196
 Length (in): 7 11/16
 Height (mm): 190
 Height (in): 7 1/2
 Light Distribution: Adjustable / Direct
 Weight (kg): 0.768
 Weight (lbs): 1.69

Fixture Finish: SSR / BKV / CWI / CRY / HAB / UFT / ITA / RUA / FTG / MYG / LOD / PUS / FRO / FUP / KIA / POP / BLS / SPG / MEY / GOH / GUM / CHC / COM / ABZ / JAG / OBR / MOS / ROR

Fixture Material: Aluminum Die Cast

ELECTRICAL

Input Wattage Range: 10 - 19 W
 Lamp Type: LED (Zhaga Standard)
 Input Wattage (W): 12.1 (2700K) / 14.7
 Total Output Wattage (W): 11 (2700K) / 13.5
 Dimming: Tri-Mode (Non-Dimming and Phase Dimming (120Vac only) and 0-10V Dimming)
 Driver Included: Yes
 Driver Location: Integrated
 Driver Type: Constant Current - Universal
 Driver Class: Class 2
 Input Voltage (V): 120 - 277
 Constant Current (MA): 350

LED

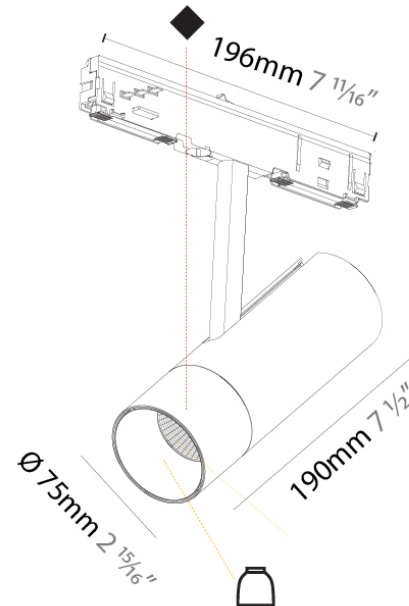
Delivered Lumen Range: 500 - 1999 lm
 Number of LEDs: 1
 Color Temperature (°K): 2700 / 3000 / 3500 / 4000
 Max. Delivered Lumen (lm): 890 / 990 / 1078 / 1100
 Nominal Lumen (lm): 960 / 1070 / 1156 / 1180
 CRI: >90 CRI
 Lamp Life (hrs): 50000
 Upon Request: Special Color Temperature Special LED

OPTICAL

Reflector°: 10
 Adjustability: Rotational 350°; Tilt 90°
 Upon Request: Special Beam Angles

RATINGS AND CERTIFICATIONS

Certified By: Certified for North American Standards
 IP rating: IP20



A32L420-TRK-TRI-SYS COMPONENTS

A3T075-

DESCRIPTION

Imagine - Track Head - 75mm / 2 15/16" - 20W LED (Zhaga Standard) - 2700K / 3000K / 3500K / 4000K - Reflectors 20° / 25° / 40°

GENERAL

Series: Imagine
 Subseries: Imagine 75
 Brand: Prolicht
 Division: Architectural

PHYSICAL

Shape: Cylinder
 Diameter (mm): 75
 Diameter (in): 2 15/16
 Length (mm): 196
 Length (in): 7 11/16
 Height (mm): 190
 Height (in): 7 1/2
 Light Distribution: Adjustable / Direct
 Weight (kg): 0.768
 Weight (lbs): 1.693

Fixture Finish: SSR / BKV / CWI / CRY / HAB / UFT / ITA / RUA / FTG / MYG / LOD / PUS / FRO / FUP / KIA / POP / BLS / SPG / MEY / GOH / GUM / CHC / COM / ABZ / JAG / OBR / MOS / ROR

Fixture Material: Aluminum Die Cast

ELECTRICAL

Input Wattage Range: 10 - 19 W
 Lamp Type: LED (Zhaga Standard)
 Input Wattage (W): 20
 Total Output Wattage (W): 18.7
 Dimming: Tri-Mode (Non-Dimming and Phase Dimming (120Vac only) and 0-10V Dimming)
 Driver Included: Yes
 Driver Location: Integrated
 Driver Type: Constant Current - Universal
 Driver Class: Class 2
 Input Voltage (V): 120 - 277
 Constant Current (mA): 500

LED

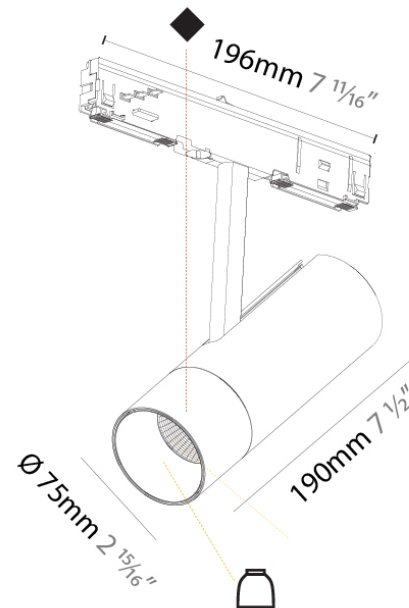
Delivered Lumen Range: 1000 - 1999 lm
 Number of LEDs: 1
 Color Temperature (°K): 2700 / 3000 / 3500 / 4000
 Max. Delivered Lumen (lm): 1490 / 1520 / 1607 / 1640
 Nominal Lumen (lm): 2360 / 2420 / 2548 / 2600
 CRI: >90 CRI
 Lamp Life (hrs): 50000
 Upon Request: Special Color Temperature Special LED

OPTICAL

Reflector°: 20 / 25 / 40
 Adjustability: Rotational 350°; Tilt 90°
 Upon Request: Special Beam Angles

RATINGS AND CERTIFICATIONS

Certified By: Certified for North American Standards
 IP rating: IP20



PROJECT	
TYPE	
NOTES	
QUANTITY	
DATE	

A32L420-TRK-TRI-SYS COMPONENTS

A3T076-

DESCRIPTION

Imagine - Track Head - 90mm / 3 9/16" - 12.1W (2700K) / 14.7W LED (Zhaga Standard) - 2700K / 3000K / 3500K / 4000K - Reflector 10°

GENERAL

Series: Imagine
 Subseries: Imagine 90
 Brand: Prolicht
 Division: Architectural

PHYSICAL

Shape: Cylinder
 Diameter (mm): 90
 Diameter (in): 3 1/2
 Length (mm): 196
 Length (in): 7 11/16
 Height (mm): 210
 Height (in): 8 1/4
 Light Distribution: Adjustable / Direct
 Weight (kg): 0.903
 Weight (lbs): 1.99

Fixture Finish: SSR / BKV / CWI / CRY / HAB / UFT / ITA / RUA / FTG / MYG / LOD / PUS / FRO / FUP / KIA / POP / BLS / SPG / MEY / GOH / GUM / CHC / COM / ABZ / JAG / OBR / MOS / ROR

Fixture Material: Aluminum Die Cast

ELECTRICAL

Input Wattage Range: 10 - 19 W
 Lamp Type: LED (Zhaga Standard)
 Input Wattage (W): 12.1 (2700K) / 14.7
 Total Output Wattage (W): 11 (2700K) / 13.5
 Dimming: Tri-Mode (Non-Dimming and Phase Dimming (120Vac only) and 0-10V Dimming)
 Driver Included: Yes
 Driver Location: Integrated
 Driver Type: Constant Current - Universal
 Driver Class: Class 2
 Input Voltage (V): 120 - 277
 Constant Current (MA): 350

LED

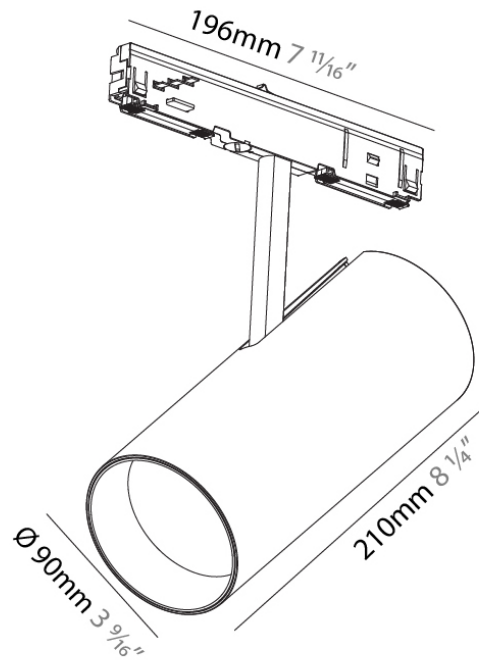
Delivered Lumen Range: 500 - 1999 lm
 Number of LEDs: 2
 Color Temperature (°K): 2700 / 3000 / 3500 / 4000
 Max. Delivered Lumen (lm): 830 / 930 / 1010 / 1030
 Nominal Lumen (lm): 960 / 1070 / 1156 / 1180
 CRI: >90 CRI
 Lamp Life (hrs): 50000
 Upon Request: Special Color Temperature Special LED

OPTICAL

Reflector°: 10
 Beam Angle: 10
 Adjustability: Rotational 350°; Tilt 90°
 Upon Request: Special Beam Angles

RATINGS AND CERTIFICATIONS

Certified By: Certified for North American Standards
 IP rating: IP20



A32L420-TRK-TRI-SYS COMPONENTS

A3T077-

DESCRIPTION

Imagine - Track Head - 90mm / 3 9/16" - 26.4W LED (Zhaga Standard) - 2700K / 3000K / 3500K / 4000K - Reflectors 18° / 26° / 40°

GENERAL

Series: Imagine
 Subseries: Imagine 90
 Brand: Prolicht
 Division: Architectural

PHYSICAL

Shape: Cylinder
 Diameter (mm): 90
 Diameter (in): 3 1/2
 Length (mm): 196
 Length (in): 7 11/16
 Height (mm): 210
 Height (in): 8 1/4
 Light Distribution: Adjustable / Direct
 Weight (kg): 0.886
 Weight (lbs): 1.95

Fixture Finish: SSR / BKV / CWI / CRY / HAB / UFT / ITA / RUA / FTG / MYG / LOD / PUS / FRO / FUP / KIA / POP / BLS / SPG / MEY / GOH / GUM / CHC / COM / ABZ / JAG / OBR / MOS / ROR

Fixture Material: Aluminum Die Cast

ELECTRICAL

Input Wattage Range: 20 - 29 W
 Lamp Type: LED (Zhaga Standard)
 Input Wattage (W): 26.4
 Total Output Wattage (W): 24
 Dimming: Tri-Mode (Non-Dimming and Phase Dimming (120Vac only) and 0-10V Dimming)
 Driver Included: Yes
 Driver Location: Integrated
 Driver Type: Constant Current - Universal
 Driver Class: Class 2
 Input Voltage (V): 120 - 277
 Constant Current (mA): 700

LED

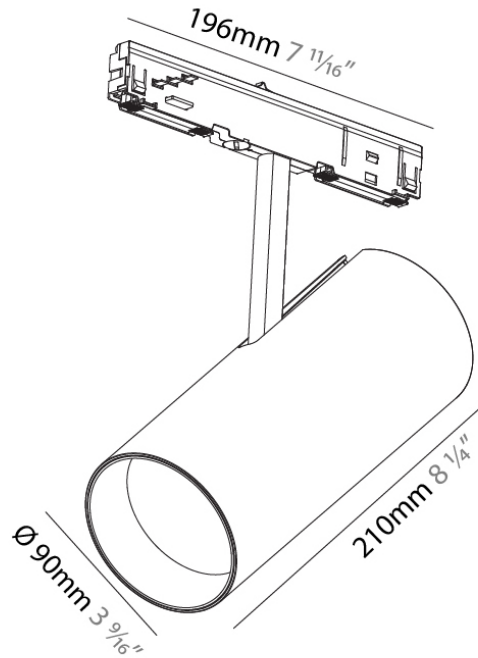
Delivered Lumen Range: 2000 - 2999 lm
 Number of LEDs: 1
 Color Temperature (°K): 2700 / 3000 / 3500 / 4000
 Max. Delivered Lumen (lm): 2210 / 2270 / 2391 / 2440
 Nominal Lumen (lm): 3210 / 3290 / 3460 / 3530
 CRI: >90 CRI
 Lamp Life (hrs): 50000
 Upon Request: Special Color Temperature Special LED

OPTICAL

Reflector°: 18 / 26 / 40
 Adjustability: Rotational 350°; Tilt 90°
 Upon Request: Special Beam Angles

RATINGS AND CERTIFICATIONS

Certified By: Certified for North American Standards
 IP rating: IP20



A32L420-TRK-TRI-SYS COMPONENTS TRACK

A3T124-

DESCRIPTION

Imagine Plus - 2Look4 20 Track - 13.2W / 16.5W LED (Zhaga Standard) LED (Zhaga Standard) - 2700K / 3000K / 4000K - Reflectors 20° / 25° / 40°

GENERAL

Series: Imagine

Subseries: Imagine Plus

Brand: Prolicht

Division: Architectural

Mounting Type: Track

Mounting Location: Ceiling

Subcategory: Spots

PHYSICAL

Shape: Cylinder

Diameter (mm): 75

Diameter (in): 2 ¹⁵/₁₆

Height (mm): 204

Height (in): 8 ¹/₁₆

Light Distribution: Adjustable / Direct

Weight (kg): 0.768

Fixture Finish: SSR / BKV / CWI / CRY / HAB / UFT / ITA / RUA / FTG / MYG / LOD / PUS / FRO / FUP / KIA / POP / BLS / SPG / MEY / GOH / GUM / CHC / COM / ABZ / JAG / OBR / MOS / ROR

Fixture Material: Aluminum Die Cast

ELECTRICAL

Input Wattage Range: 10 - 19 W

Lamp Type: LED (Zhaga Standard)

Input Wattage (W): 13.2 / 16.5

Total Output Wattage (W): 12.1 / 14.7

Dimming: Tri-Mode (Non-Dimming and Phase Dimming (120Vac only) and 0-10V Dimming)

Driver Included: Yes

Driver Location: Integrated

Driver Type: Constant Current - Universal

Driver Class: Class 2

Input Voltage (V): 120 - 277

Constant Current (MA): 350

LED

Delivered Lumen Range: 500 - 1999 lm

Color Temperature (°K): 2700 / 3000 / 4000

Max. Delivered Lumen (lm): 890 / 990 / 1100

CRI: >90 CRI

Lamp Life (hrs): 50000

OPTICAL

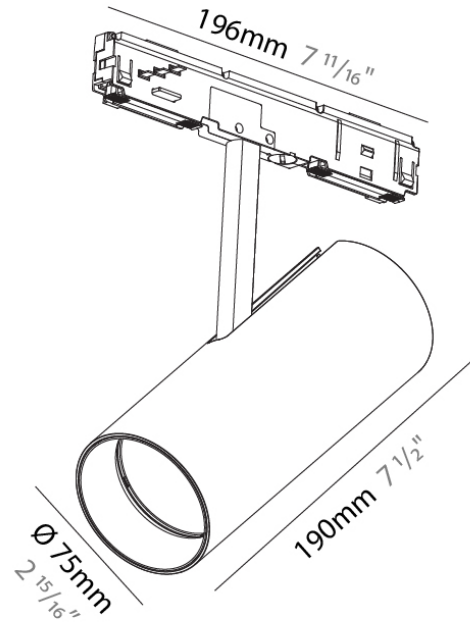
Reflector°: 20 / 25 / 40

Adjustability: Rotational 350°; Tilt 90°

RATINGS AND CERTIFICATIONS

Certified By: Certified for North American Standards

IP rating: IP20



PROJECT	_____
TYPE	_____
NOTES	_____
QUANTITY	_____
DATE	_____

A32L420-TRK-TRI-SYS COMPONENTS TRACK

STR1110-

DESCRIPTION

Track - End Feed - Right Side

GENERAL

Brand: Prolicht

Division: Architectural

Mounting Type: Track

PHYSICAL

Length (mm): 148

Length (in): 5 ¹³/₁₆

Width (mm): 32

Width (in): 1 ¹/₄

Height (mm): 38

Height (in): 1 ¹/₂

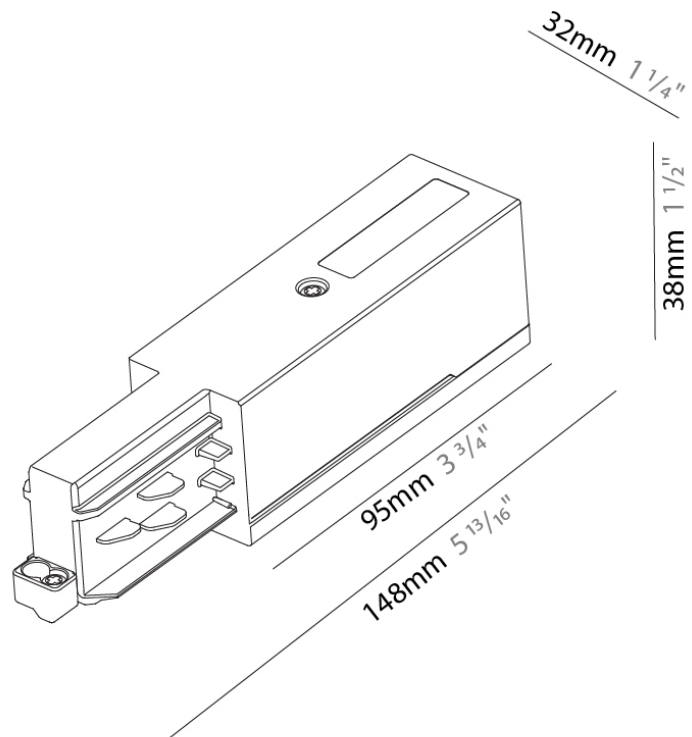
Fixture Finish: WHI / BLK / GRY

Fixture Material: Aluminum

RATINGS AND CERTIFICATIONS

Certified By: Certified for North American Standards

IP rating: IP20



A

PROJECT	
TYPE	
NOTES	
QUANTITY	
DATE	

A32L420-TRK-TRI-SYS COMPONENTS TRACK

STR121-

DESCRIPTION

Track - End Feed - Left Side

GENERAL

Brand: Prolicht

Division: Architectural

Mounting Type: Track

PHYSICAL

Length (mm): 148

Length (in): 5 ¹³/₁₆

Width (mm): 32

Width (in): 1 ¹/₄

Height (mm): 38

Height (in): 1 ¹/₂

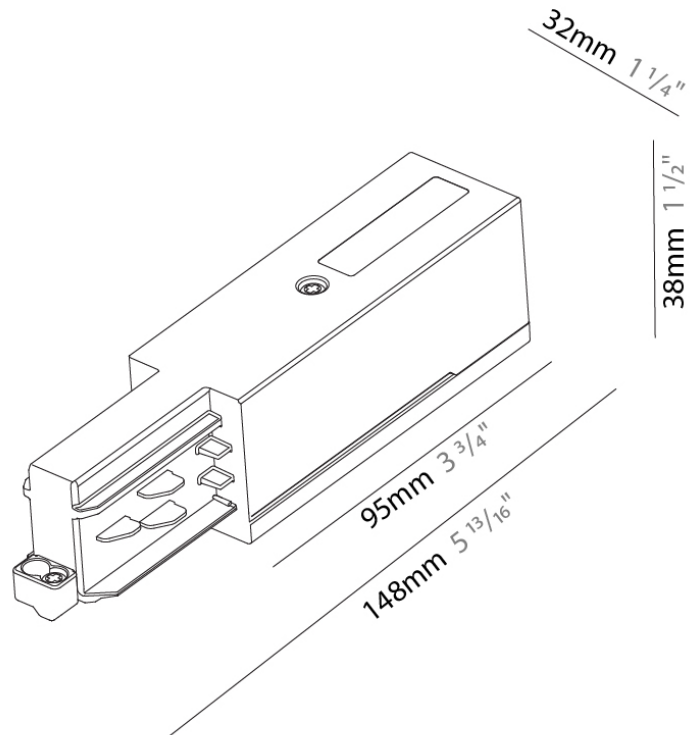
Fixture Finish: WHI / BLK / GRY

Fixture Material: Aluminum

RATINGS AND CERTIFICATIONS

Certified By: Certified for North American Standards

IP rating: IP20



PROJECT	
TYPE	
NOTES	
QUANTITY	
DATE	

A32L420-TRK-TRI-SYS COMPONENTS TRACK

STR141-

DESCRIPTION

Track - Central Feed -

GENERAL

Brand: Prolicht

Division: Architectural

Mounting Type: Track

PHYSICAL

Length (mm): 254

Length (in): 10

Width (mm): 32

Width (in): 1 1/4

Height (mm): 38

Height (in): 1 5/16

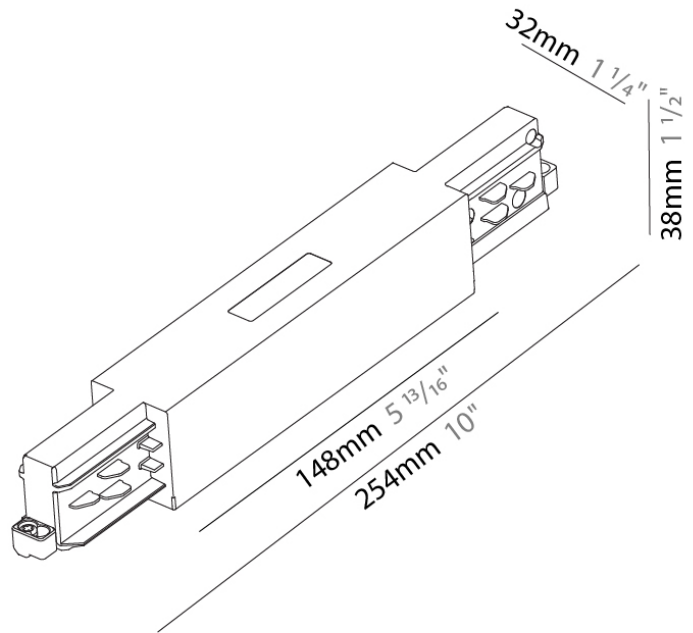
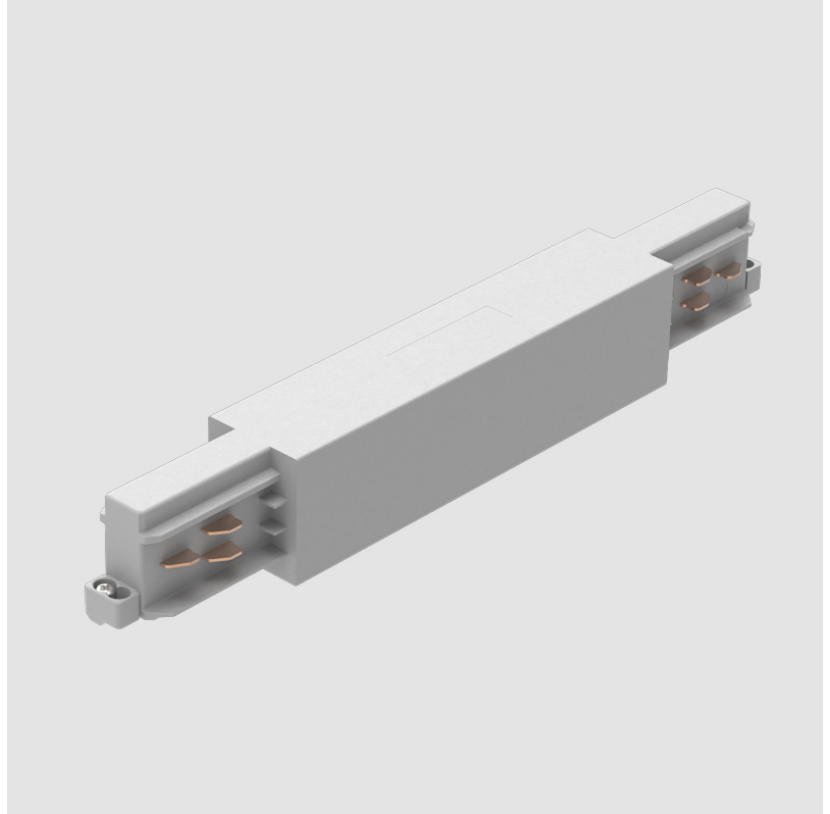
Fixture Finish: WHI / BLK / GRY

Fixture Material: Aluminum

RATINGS AND CERTIFICATIONS

Certified By: Certified for North American Standards

IP rating: IP20



A

PROJECT
TYPE
NOTES
QUANTITY
DATE

A32L420-TRK-TRI-SYS COMPONENTS TRACK

STR2100-

DESCRIPTION

Track - Straight Connector -

GENERAL

Brand: Prolicht

Division: Architectural

Mounting Type: Track

PHYSICAL

Length (mm): 115

Length (in): 4 1/2"

Width (mm): 26

Width (in): 1"

Height (mm): 33

Height (in): 1 5/16"

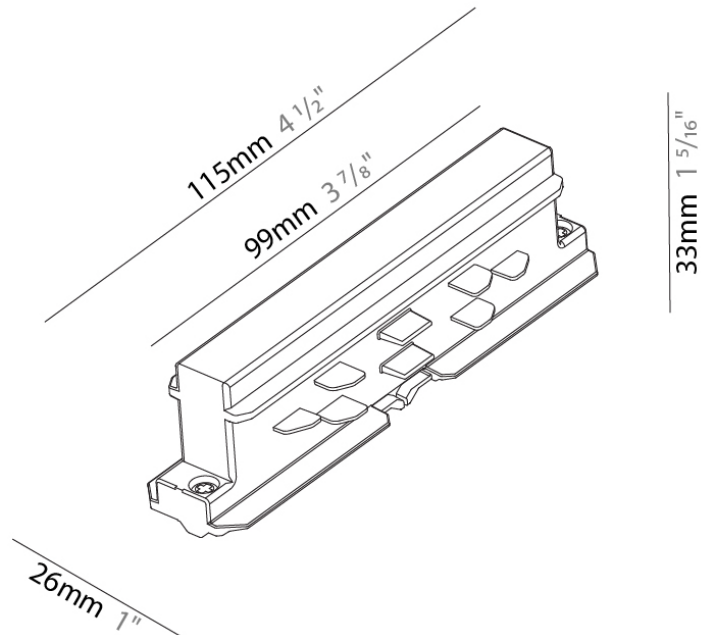
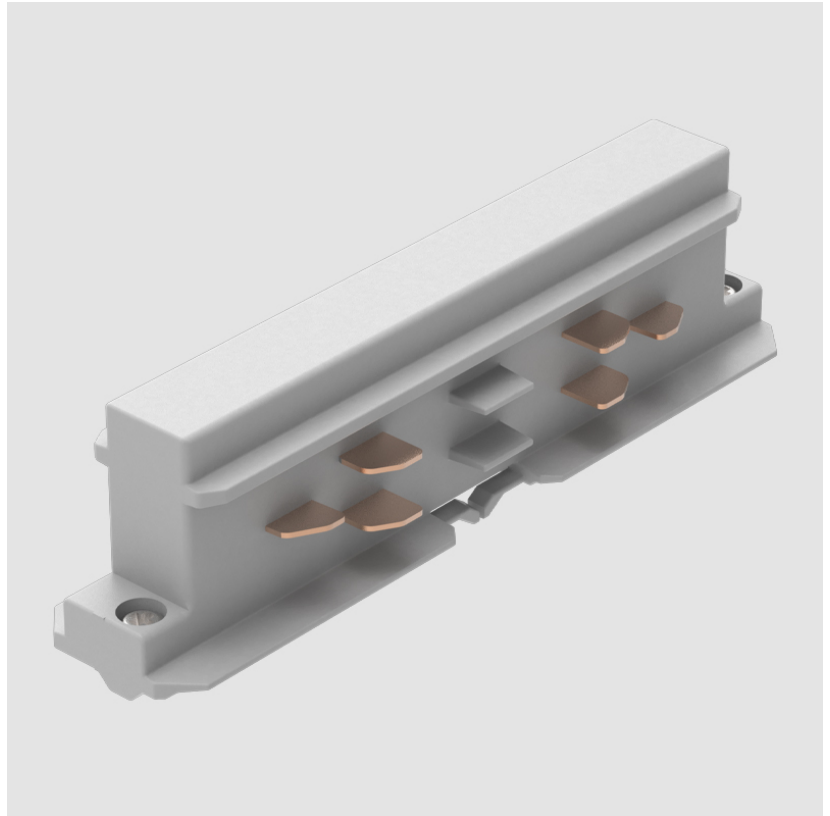
Fixture Finish: WHI / BLK / GRY

Fixture Material: Aluminum

RATINGS AND CERTIFICATIONS

Certified By: Certified for North American Standards

IP rating: IP20



PROJECT	
TYPE	
NOTES	
QUANTITY	
DATE	

A32L420-TRK-TRI-SYS COMPONENTS TRACK

STR2300-

DESCRIPTION

Track - Flexible Connector -

GENERAL

Brand: Prolicht

Division: Architectural

Mounting Type: Track

PHYSICAL

Length (mm): 370

Length (in): 14 ⁹/₁₆"

Width (mm): 32

Width (in): 1 ¹/₄"

Height (mm): 38

Height (in): 1 ⁵/₁₆"

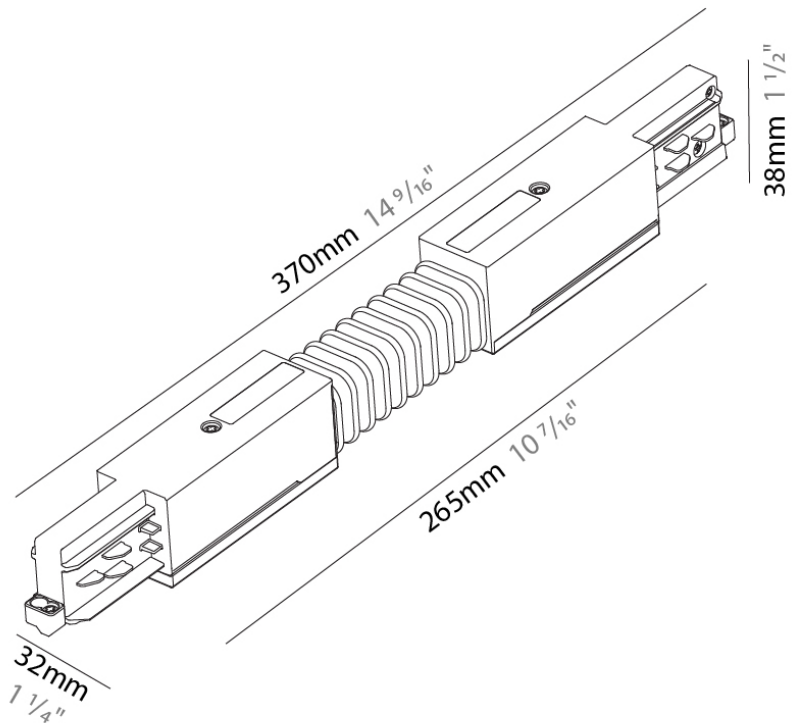
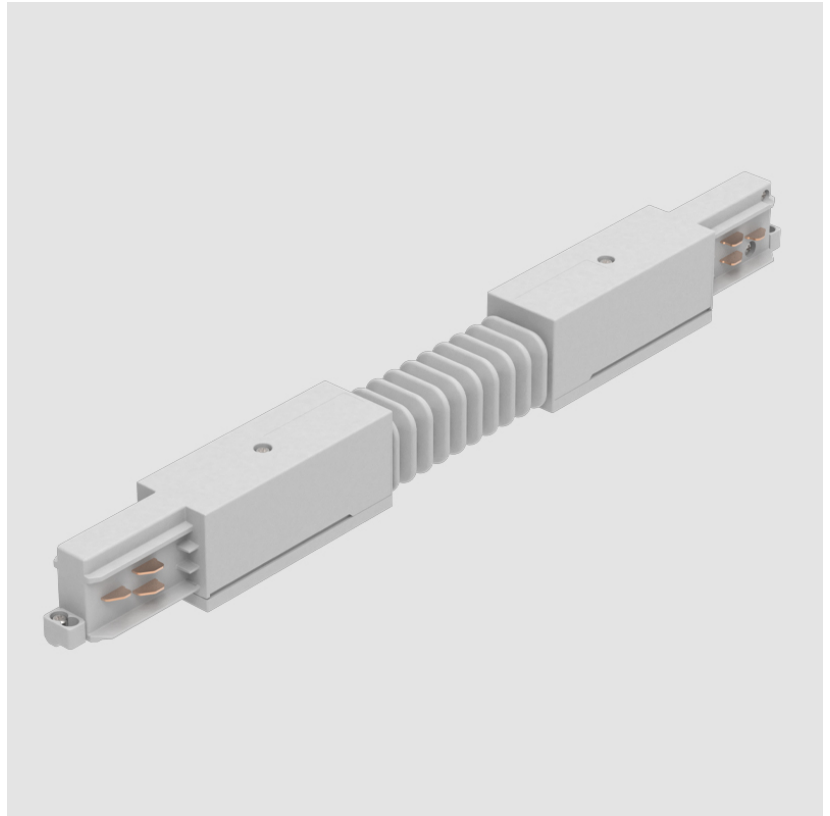
Fixture Finish: WHI / BLK / GRY

Fixture Material: Aluminum

RATINGS AND CERTIFICATIONS

Certified By: Certified for North American Standards

IP rating: IP20



A

PROJECT	
TYPE	
NOTES	
QUANTITY	
DATE	

A32L420-TRK-TRI-SYS COMPONENTS TRACK

STR3400-

DESCRIPTION

Track - L-Connector, Outside Corner (Feedable) -

GENERAL

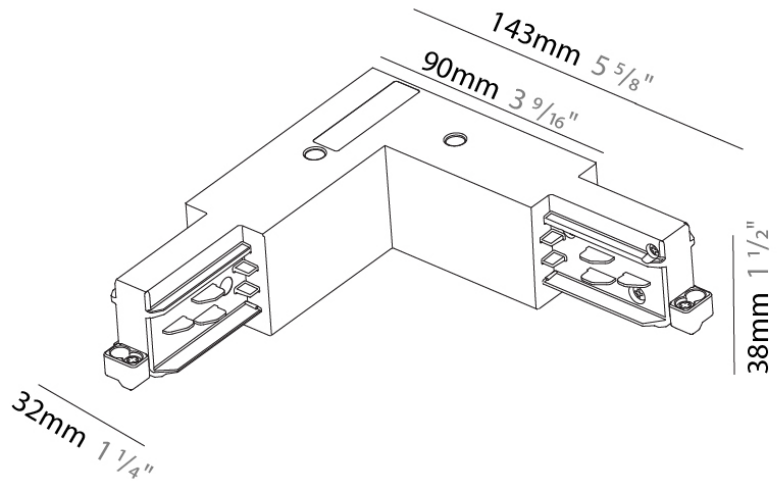
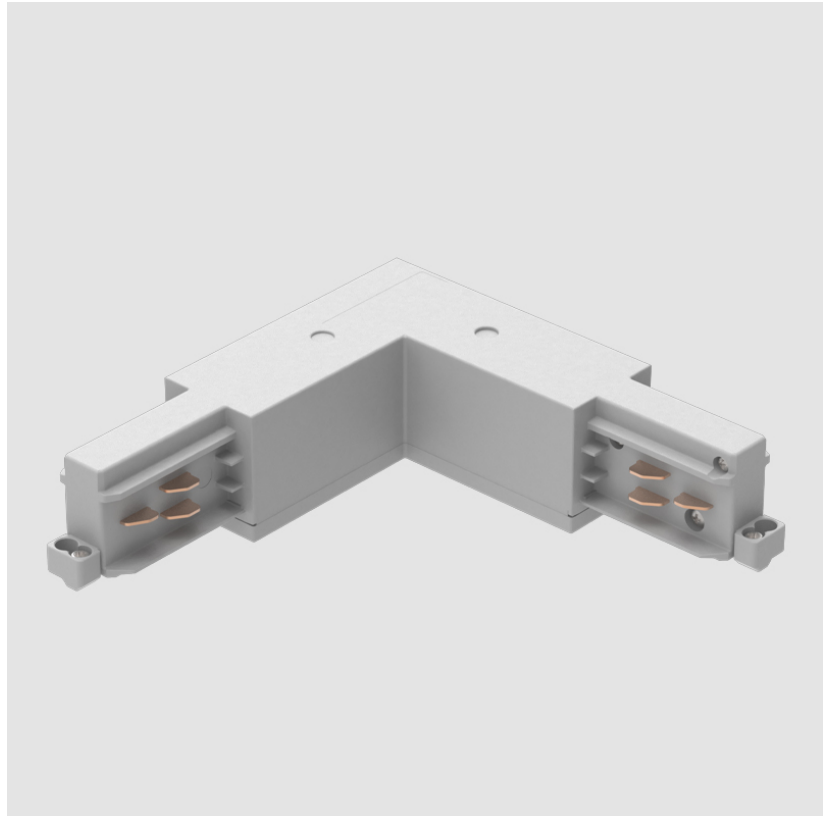
Brand: Prolicht
 Division: Architectural
 Mounting Type: Track

PHYSICAL

Length (mm): 143
 Length (in): 5 ⁵/₈
 Width (mm): 32
 Width (in): 1 ¹/₄
 Height (mm): 38
 Height (in): 1 ¹/₂
 Fixture Finish: WHI / BLK / GRY
 Fixture Material: Aluminum

RATINGS AND CERTIFICATIONS

Certified By: Certified for North American Standards
 IP rating: IP20



A32L420-TRK-TRI-SYS COMPONENTS TRACK

STR3500-

DESCRIPTION

Track - 3-Circuit L-Connector, Inside Corner (Feedable)

GENERAL

Brand: Prolicht

Division: Architectural

Mounting Type: Track

PHYSICAL

Length (mm): 143

Length (in): 5 ⁵/₈

Width (mm): 32

Width (in): 1 ¹/₄

Height (mm): 38

Height (in): 1 ¹/₂

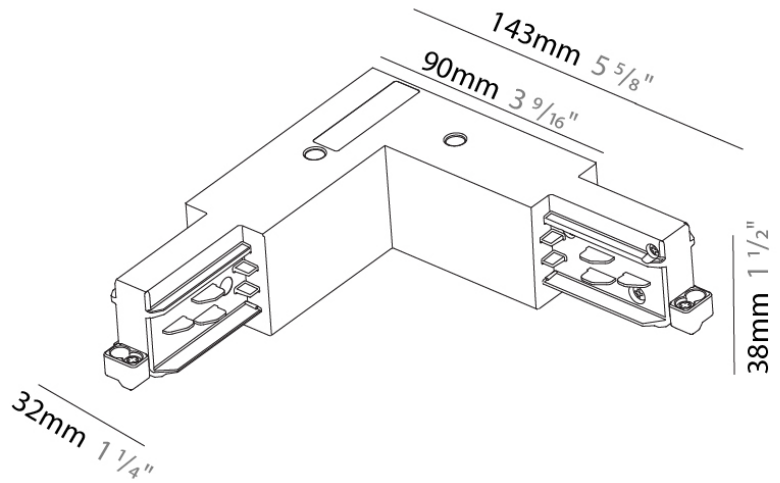
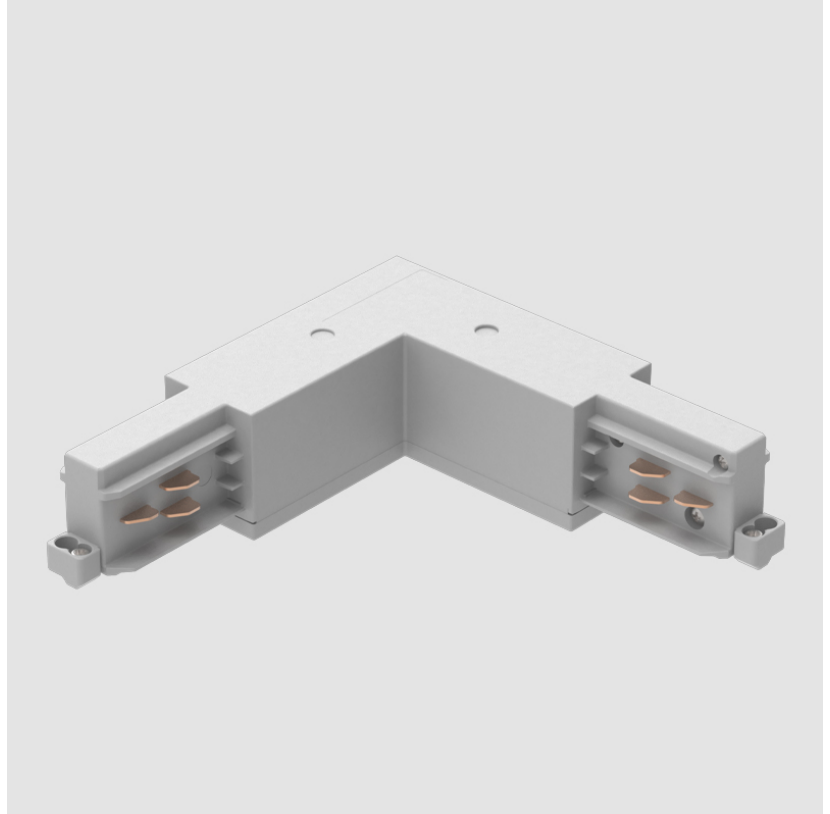
Fixture Finish: WHI / BLK / GRY

Fixture Material: Aluminum

RATINGS AND CERTIFICATIONS

Certified By: Certified for North American Standards

IP rating: IP20



PROJECT	
TYPE	
NOTES	
QUANTITY	
DATE	

A32L420-TRK-TRI-SYS COMPONENTS TRACK

STR380-

DESCRIPTION

Track - X-Connector (Feedable) -

GENERAL

Brand: Prolicht

Division: Architectural

Mounting Type: Track

PHYSICAL

Length (mm): 148

Length (in): 5 ¹³/₁₆

Width (mm): 148

Width (in): 5 ¹³/₁₆

Height (mm): 38

Height (in): 1 ¹/₂

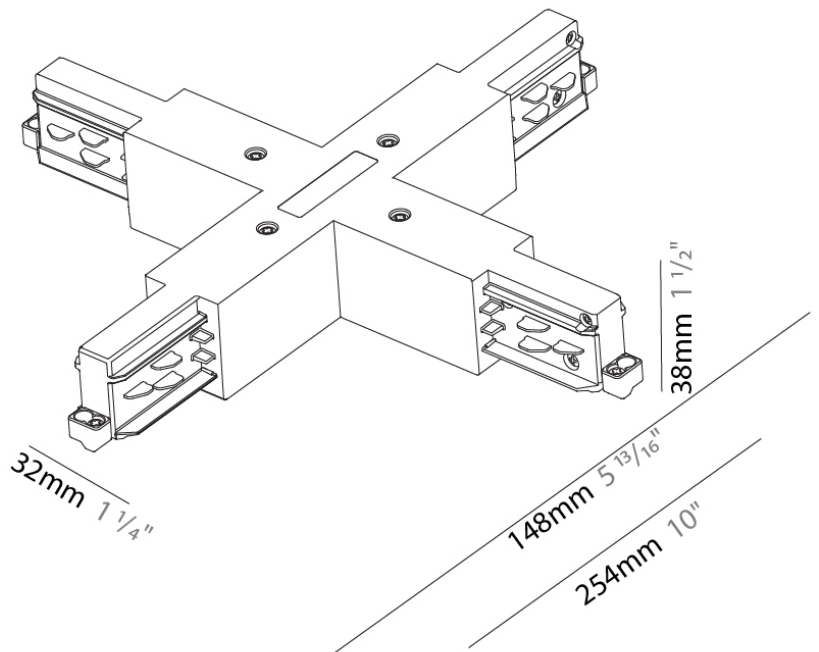
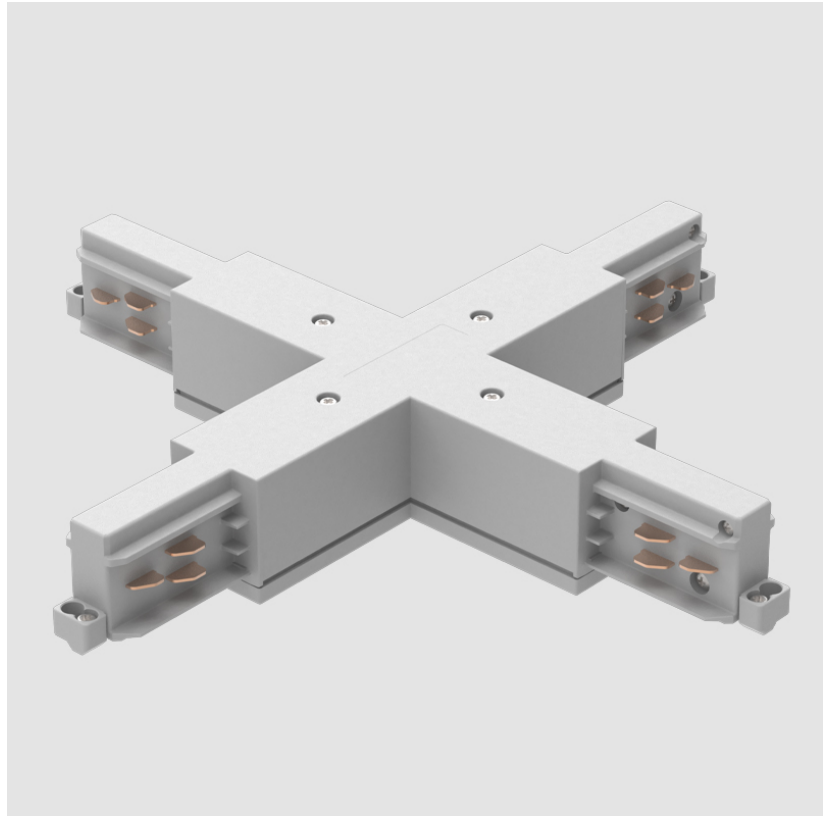
Fixture Finish: WHI / BLK / GRY

Fixture Material: Aluminum

RATINGS AND CERTIFICATIONS

Certified By: Certified for North American Standards

IP rating: IP20



A32L420-TRK-TRI-SYS COMPONENTS TRACK

STR3900-

DESCRIPTION

Track - T-Connector, Inside (Feedable) -

GENERAL

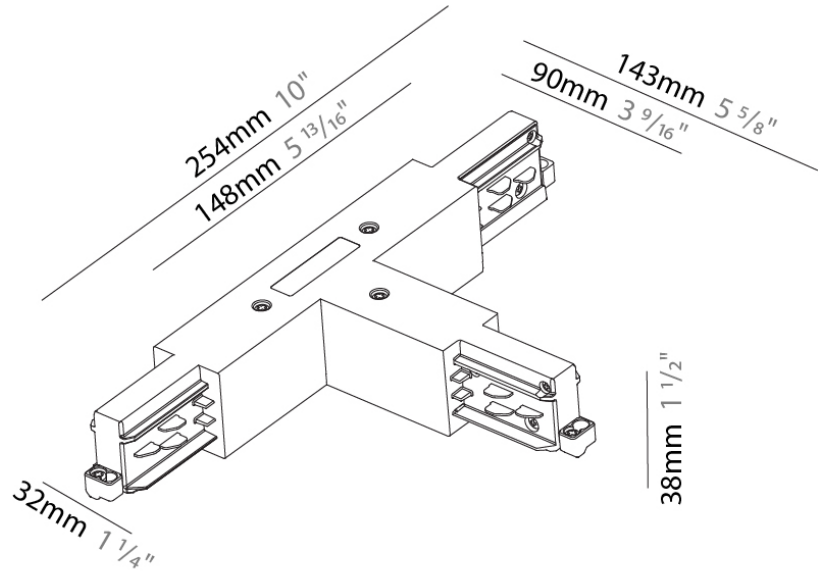
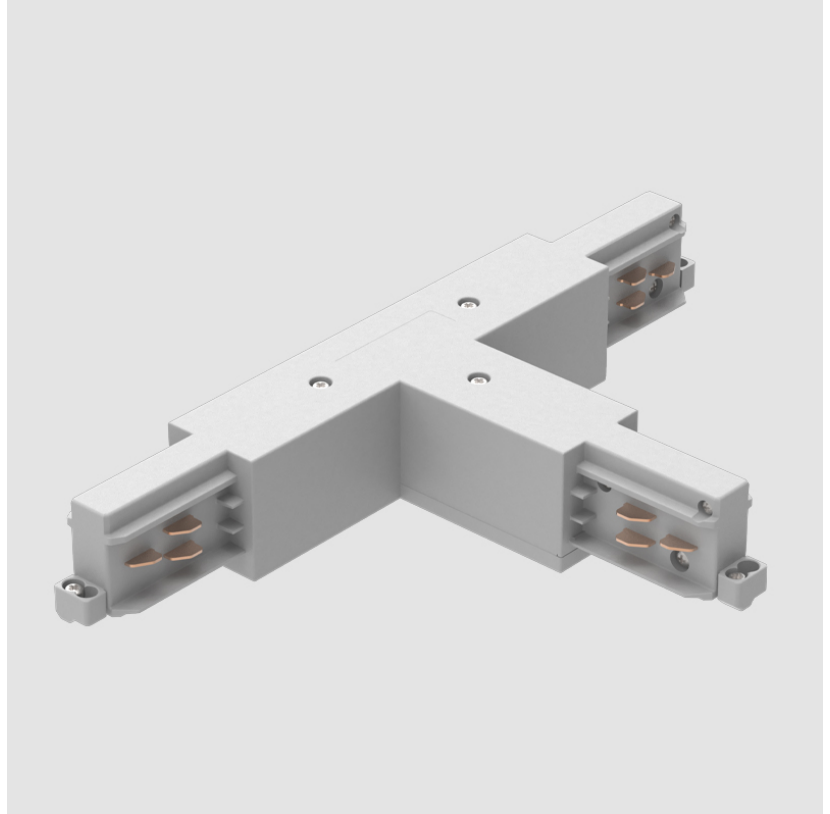
Brand: Prolicht
 Division: Architectural
 Mounting Type: Track

PHYSICAL

Length (mm): 254
 Length (in): 10
 Width (mm): 143
 Width (in): $5 \frac{13}{16}$
 Height (mm): 38
 Height (in): $1 \frac{1}{2}$
 Fixture Finish: WHI / BLK / GRY
 Fixture Material: Aluminum

RATINGS AND CERTIFICATIONS

Certified By: Certified for North American Standards
 IP rating: IP20



PROJECT	
TYPE	
NOTES	
QUANTITY	
DATE	

A32L420-TRK-TRI-SYS COMPONENTS TRACK

STR40001-

DESCRIPTION

Track - T-Connector, Outside (Feedable) -

GENERAL

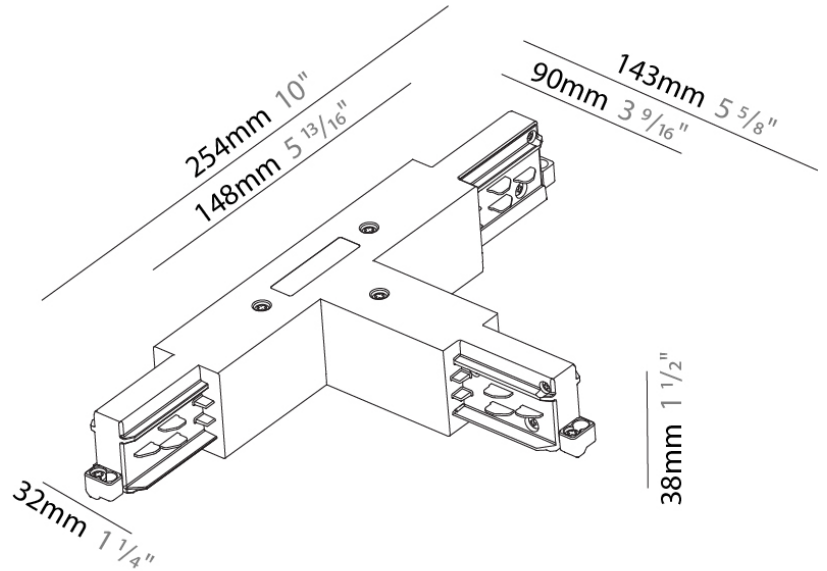
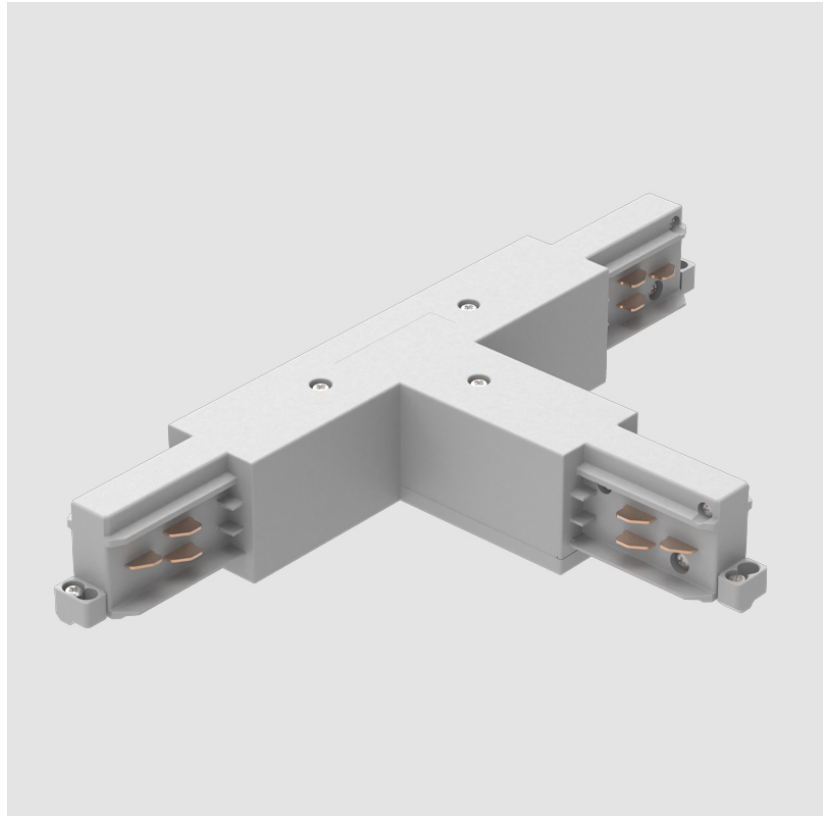
Brand: Prolicht
 Division: Architectural
 Mounting Type: Track

PHYSICAL

Length (mm): 254
 Length (in): 10
 Width (mm): 143
 Width (in): 5 ⁵/₈
 Height (mm): 38
 Height (in): 1 ¹/₂
 Fixture Finish: WHI / BLK / GRY
 Fixture Material: Aluminum

RATINGS AND CERTIFICATIONS

Certified By: Certified for North American Standards
 IP rating: IP20



PROJECT	
TYPE	
NOTES	
QUANTITY	
DATE	

A32L420-TRK-TRI-SYS COMPONENTS SURFACE

STR4100-

DESCRIPTION

Track - Surface - End Cap -

GENERAL

Brand: Prolicht

Division: Architectural

Mounting Type: Surface

PHYSICAL

Length (mm): 32

Length (in): 1 1/4"

Width (mm): 32

Width (in): 1 1/4"

Height (mm): 38

Height (in): 1 1/2"

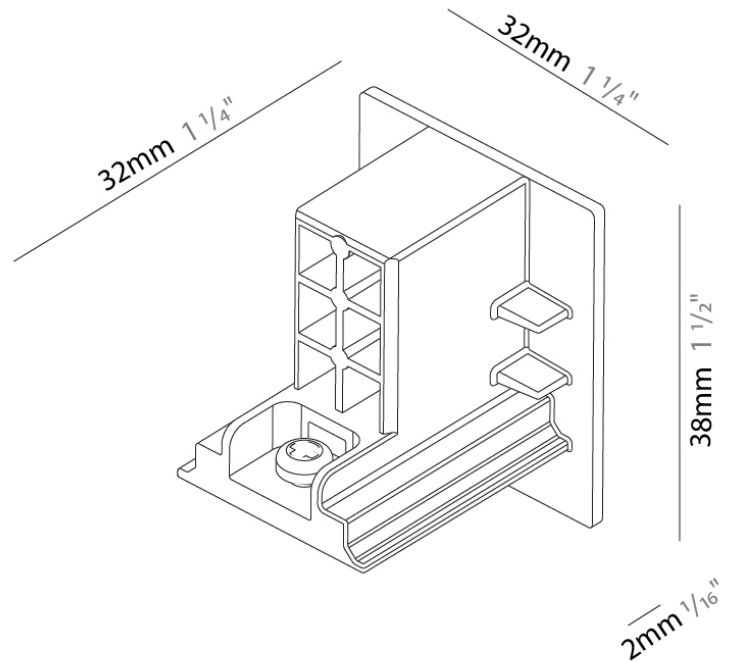
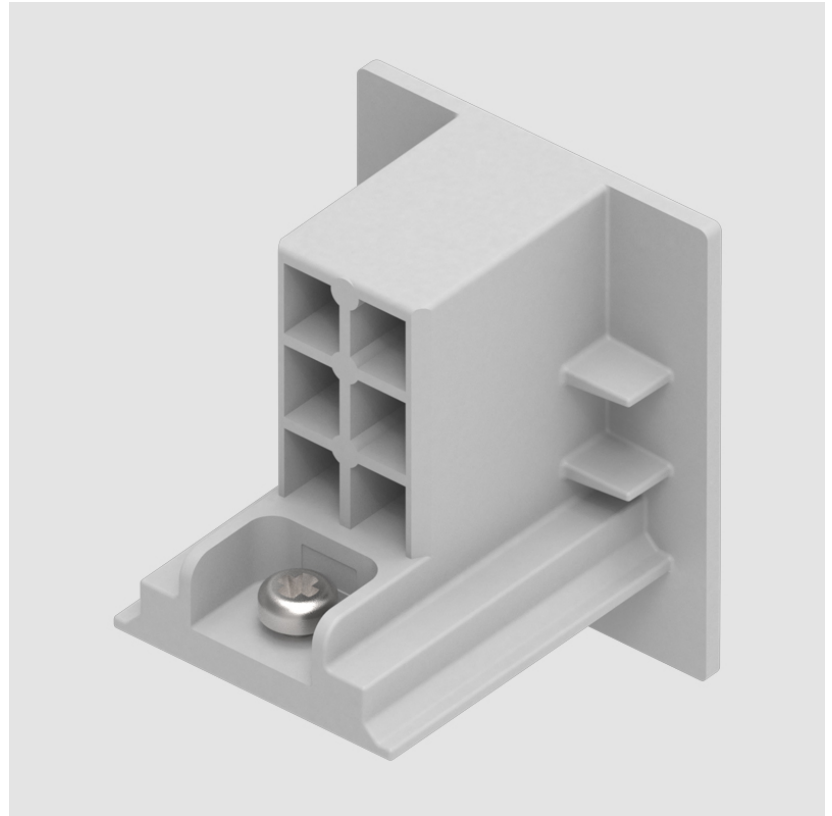
Fixture Finish: WHI / BLK / GRY

Fixture Material: Aluminum

RATINGS AND CERTIFICATIONS

Certified By: Certified for North American Standards

IP rating: IP20



PROJECT	
TYPE	
NOTES	
QUANTITY	
DATE	

A32L420-TRK-TRI-SYS COMPONENTS TRACK

STR510-

DESCRIPTION

Track - Suspension Cable Kit 3000mm -

GENERAL

Brand: Prolicht

Division: Architectural

Mounting Type: Track

PHYSICAL

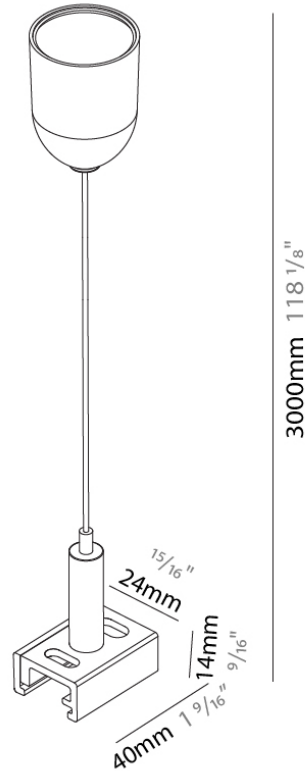
Fixture Finish: WHI / BLK / GRY

Fixture Material: Aluminum

RATINGS AND CERTIFICATIONS

Certified By: Certified for North American Standards

IP rating: IP20



A

PROJECT	
TYPE	
NOTES	
QUANTITY	
DATE	

A32L420-TRK-TRI-SYS COMPONENTS TRACK

STR512-

DESCRIPTION

Track - Ceiling Mounting Bracket

GENERAL

Brand: Prolicht

Division: Architectural

Mounting Type: Track

PHYSICAL

Length (mm): 40

Length (in): 1 ⁹/₁₆"

Width (mm): 24

Width (in): 15/16"

Height (mm): 14

Height (in): 9/16"

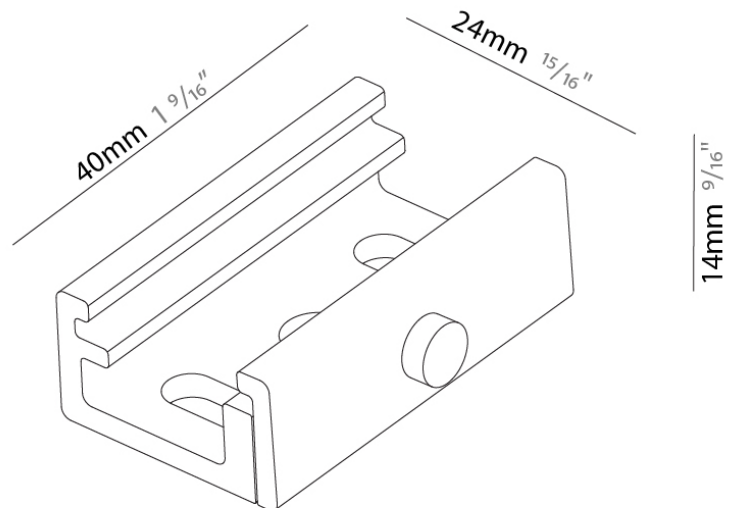
Fixture Finish: WHI / BLK

Fixture Material: Aluminum

RATINGS AND CERTIFICATIONS

Certified By: Certified for North American Standards

IP rating: IP20



A32L420-TRK-TRI-SYS COMPONENTS TRACK

STR521-

DESCRIPTION

Track - Stem and canopy kit 1000mm

GENERAL

Brand: Prolicht

Division: Architectural

Mounting Type: Track

PHYSICAL

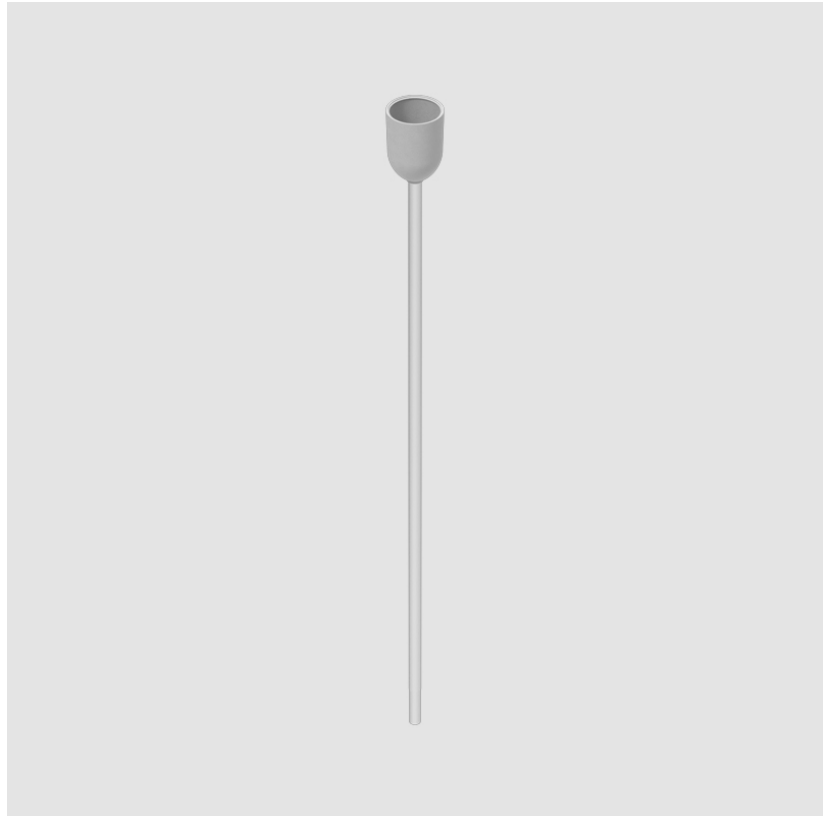
Fixture Finish: WHI / BLK

Fixture Material: Aluminum

RATINGS AND CERTIFICATIONS

Certified By: Certified for North American Standards

IP rating: IP20



PROJECT	_____
TYPE	_____
NOTES	_____
QUANTITY	_____
DATE	_____

A32L420-TRK-TRI-SYS COMPONENTS TRACK

STR9001R-

DESCRIPTION

Track - Cover End Power Supply

GENERAL

Brand: Prolicht

Division: Architectural

Mounting Type: Track

PHYSICAL

Length (mm): 95

Length (in): 3 ³/₄

Width (mm): 52

Width (in): 2 ¹/₁₆

Height (mm): 34

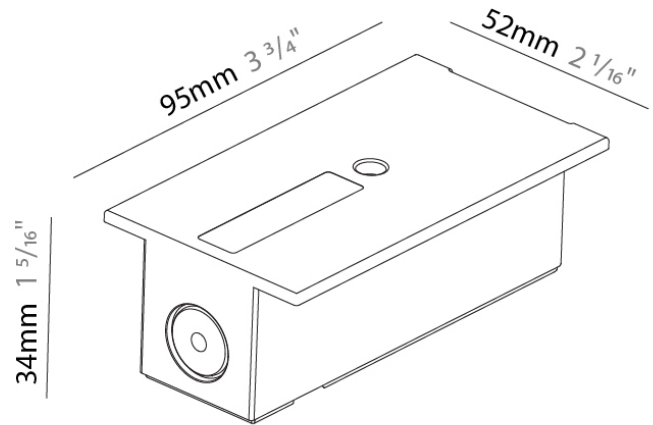
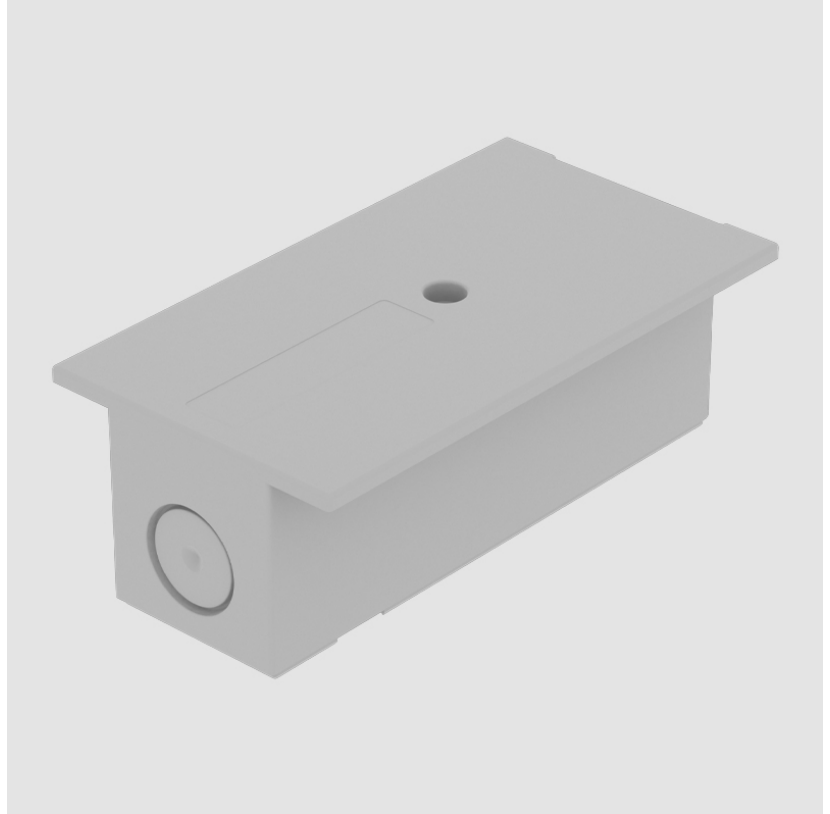
Height (in): 1 ⁵/₁₆

Fixture Finish: WHI / BLK / GRY

Fixture Material: Aluminum

RATINGS AND CERTIFICATIONS

IP rating: IP20



PROJECT	_____
TYPE	_____
NOTES	_____
QUANTITY	_____
DATE	_____

A32L420-TRK-TRI-SYS COMPONENTS TRACK

STR9010R-

DESCRIPTION

Track - Cover Mid Power Supply

GENERAL

Brand: Prolicht

Division: Architectural

Mounting Type: Track

PHYSICAL

Length (mm): 148

Length (in): 5 ¹³/₁₆

Width (mm): 52

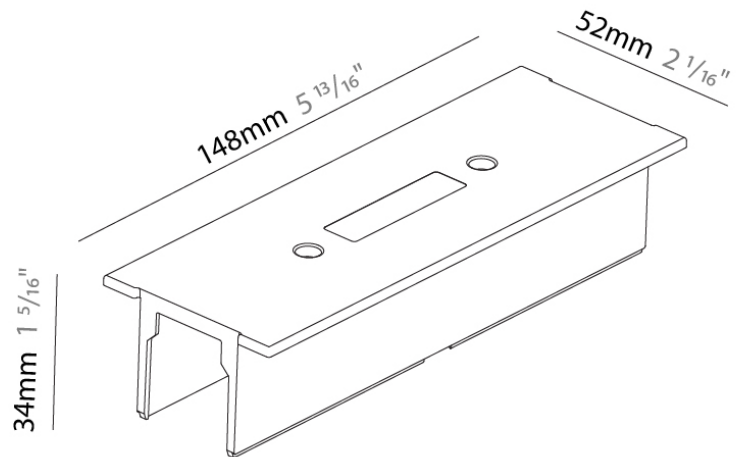
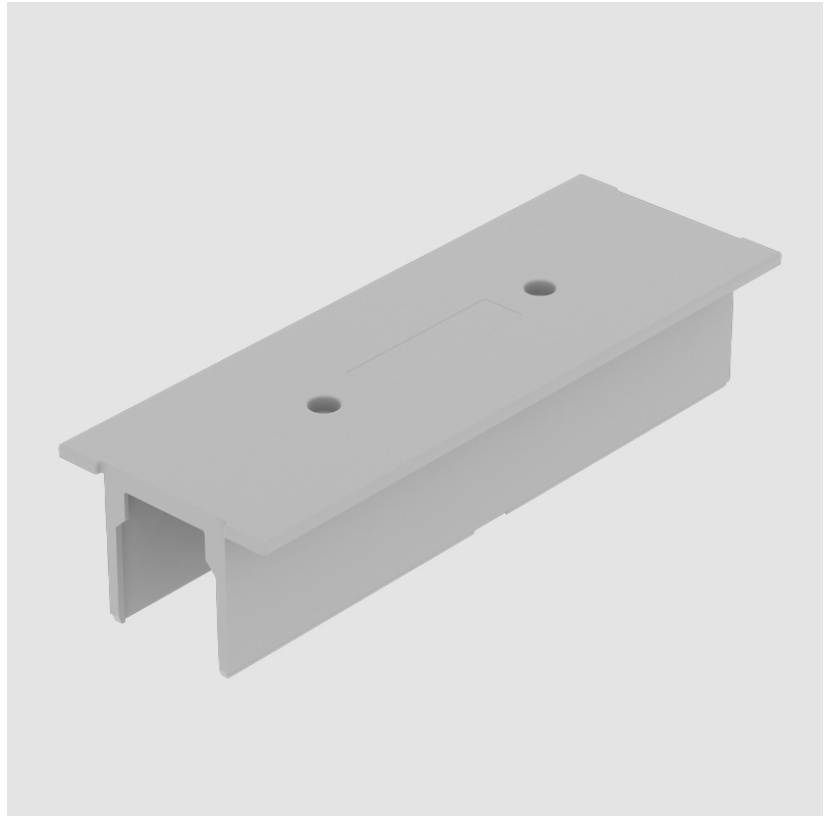
Width (in): 2 ¹/₁₆

Height (mm): 34

Height (in): 1 ⁵/₁₆

Fixture Finish: WHI / BLK / GRY

Fixture Material: Aluminum



PROJECT	_____
TYPE	_____
NOTES	_____
QUANTITY	_____
DATE	_____

A32L420-TRK-TRI-SYS COMPONENTS TRACK

STR9011R-

DESCRIPTION

Track - Cover Corner Connector

GENERAL

Brand: Prolicht

Division: Architectural

Mounting Type: Track

PHYSICAL

Length (mm): 100

Length (in): 3 ¹⁵/₁₆"

Width (mm): 100

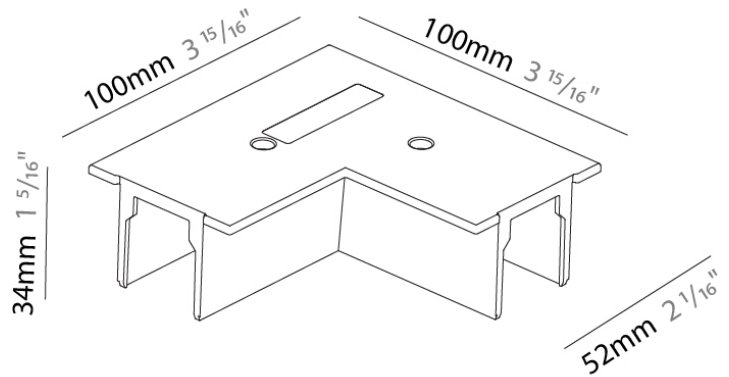
Width (in): 3 ¹⁵/₁₆"

Height (mm): 34

Height (in): 1 ⁵/₁₆"

Fixture Finish: WHI / BLK / GRY

Fixture Material: Aluminum



A32L420-TRK-TRI-SYS COMPONENTS TRACK

STR9013R-

DESCRIPTION

Track - Cover T-Connector

GENERAL

Brand: Prolicht

Division: Architectural

Mounting Type: Track

PHYSICAL

Length (mm): 148

Length (in): $5 \frac{13}{16}$

Width (mm): 100

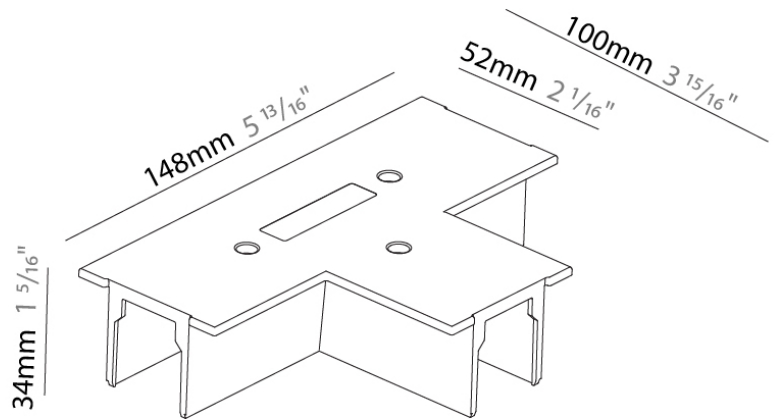
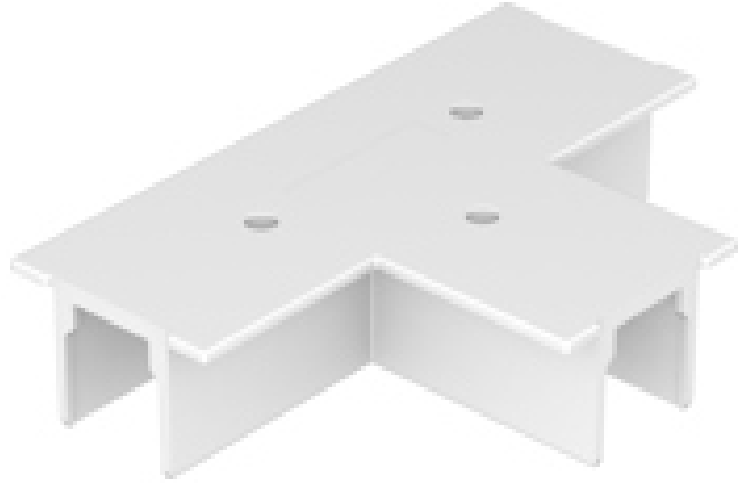
Width (in): $3 \frac{15}{16}$

Height (mm): 34

Height (in): $1 \frac{5}{16}$

Fixture Finish: WHI / BLK / GRY

Fixture Material: Aluminum



A32L420-TRK-TRI-SYS COMPONENTS TRACK

STR9017R-

DESCRIPTION

Track - Cover Cross Connector

GENERAL

Brand: Prolicht

Division: Architectural

Mounting Type: Track

PHYSICAL

Length (mm): 148

Length (in): 5 ¹³/₁₆

Width (mm): 148

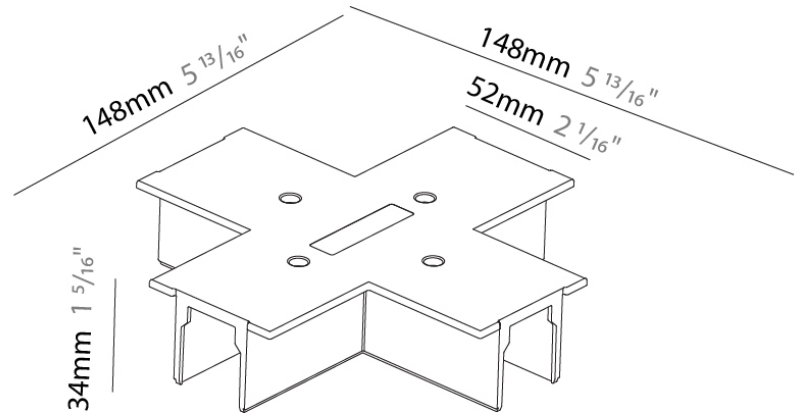
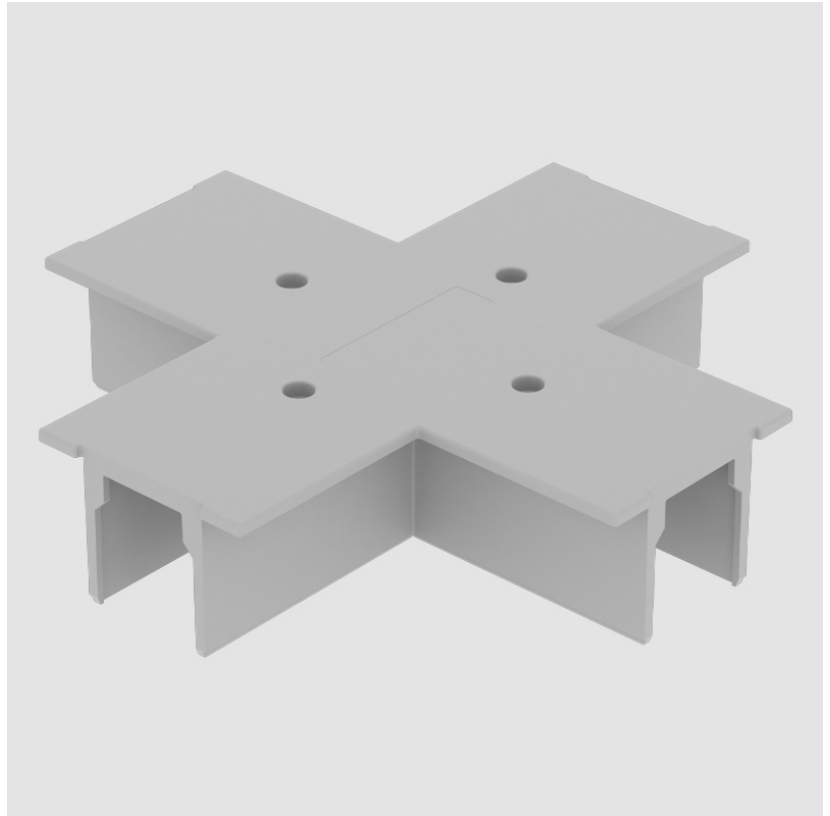
Width (in): 5 ¹³/₁₆

Height (mm): 34

Height (in): 1 ⁵/₁₆

Fixture Finish: WHI / BLK / GRY

Fixture Material: Aluminum



PROJECT	
TYPE	
NOTES	
QUANTITY	
DATE	

A32L420-TRK-TRI-SYS COMPONENTS SURFACE

STRR4100-

DESCRIPTION

Track - Recessed - End Cap -

GENERAL

Brand: Prolicht

Division: Architectural

Mounting Type: Surface

PHYSICAL

Length (mm): 32

Length (in): 1 1/4

Width (mm): 32

Width (in): 1 1/4

Height (mm): 38

Height (in): 1 1/2

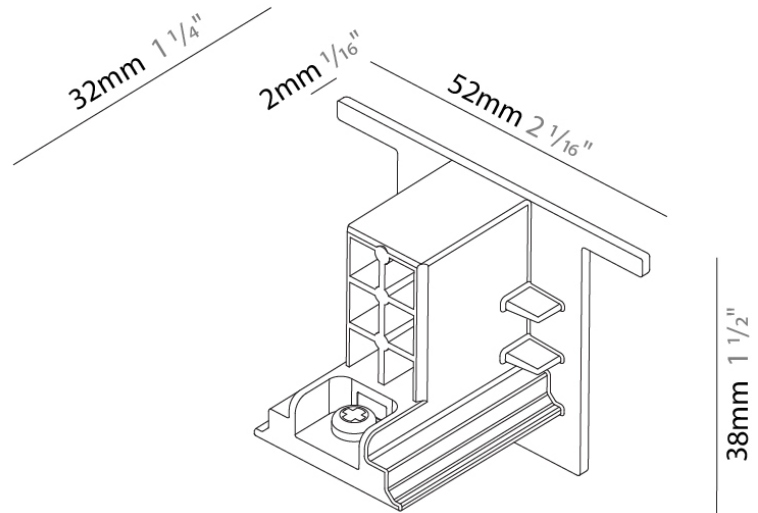
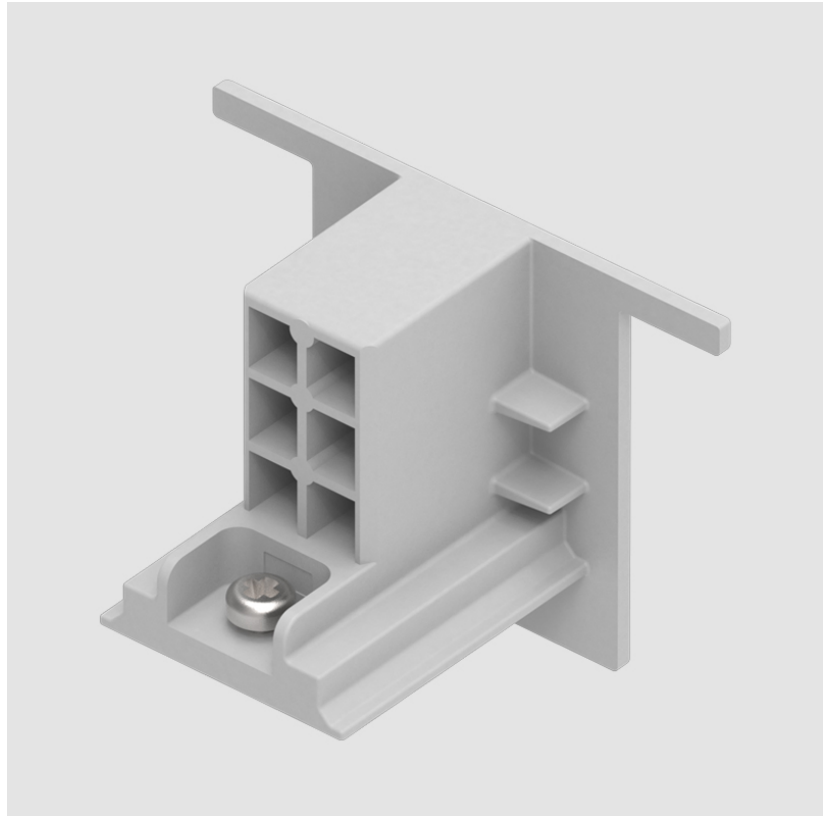
Fixture Finish: WHI / BLK / GRY

Fixture Material: Aluminum

RATINGS AND CERTIFICATIONS

Certified By: Certified for North American Standards

IP rating: IP20



A32L420-TRK-TRI-SYS COMPONENTS TRACK

STRR4400-

DESCRIPTION

Track - 4' Recessed Mount 3-Circuit Track - Gray

GENERAL

Brand: Prolicht

Division: Architectural

Mounting Type: Track

PHYSICAL

Shape: Rectangle

Length (mm): 1219

Length (in): 48

Width (mm): 32

Width (in): 1 1/4

Height (mm): 38

Height (in): 1 1/2

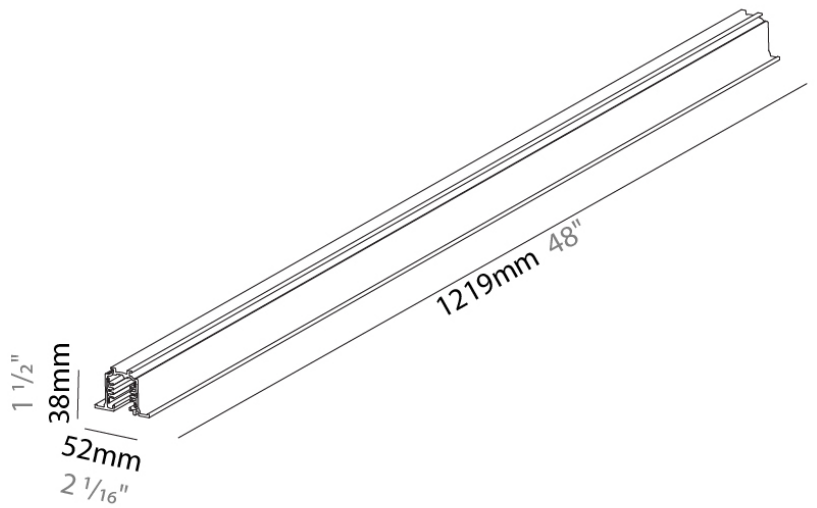
Fixture Finish: WHI / BLK / GRY

Fixture Material: Aluminum

RATINGS AND CERTIFICATIONS

Certified By: Certified for North American Standards

IP rating: IP20



PROJECT	
TYPE	
NOTES	
QUANTITY	
DATE	

A32L420-TRK-TRI-SYS COMPONENTS TRACK

STRR4800-

DESCRIPTION

Track - 8' Recessed Mount 3-Circuit Track - Gray

GENERAL

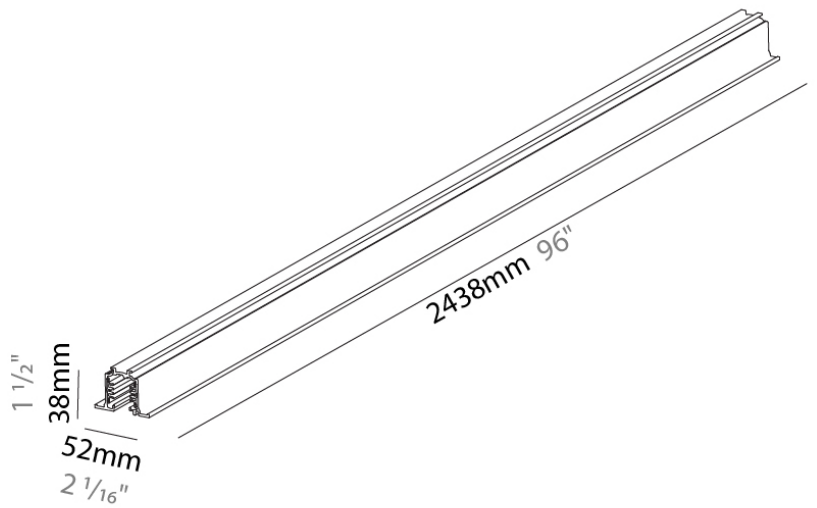
Brand: Prolicht
 Division: Architectural
 Mounting Type: Track

PHYSICAL

Shape: Rectangle
 Length (mm): 2438
 Length (in): 96
 Width (mm): 32
 Width (in): 1 1/4
 Height (mm): 38
 Height (in): 1 1/2
 Fixture Finish: WHI / BLK / GRY
 Fixture Material: Aluminum

RATINGS AND CERTIFICATIONS

Certified By: Certified for North American Standards
 IP rating: IP20



A32L420-TRK-TRI-SYS COMPONENTS TRACK

STRS4400-

DESCRIPTION

Track - 4' Surface Mount 3-Circuit Track

GENERAL

Brand: Prolicht

Division: Architectural

Mounting Type: Track

PHYSICAL

Shape: Rectangle

Length (mm): 1219

Length (in): 48

Width (mm): 32

Width (in): 1 1/4

Height (mm): 38

Height (in): 1 1/2

Fixture Finish: WHI / BLK / GRY

Fixture Material: Aluminum

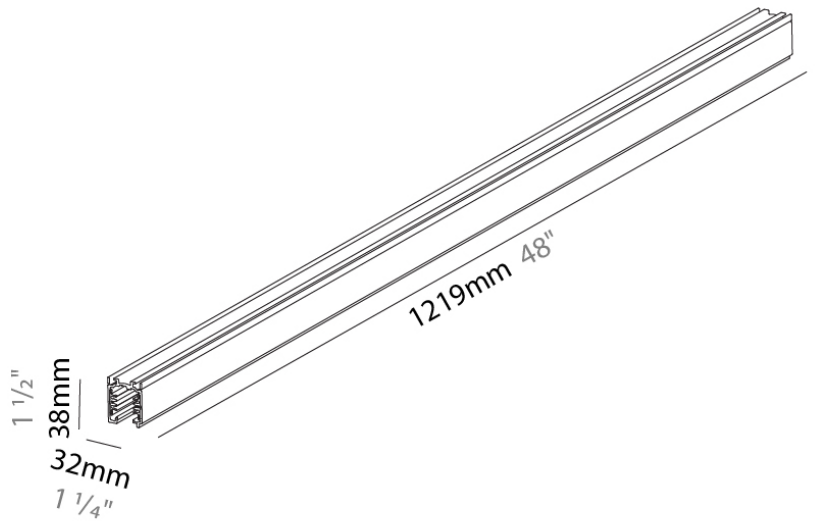
ELECTRICAL

Driver Included: No

RATINGS AND CERTIFICATIONS

Certified By: Certified for North American Standards

IP rating: IP20



A32L420-TRK-TRI-SYS COMPONENTS TRACK

STRS4800-

DESCRIPTION

Track - 8' Surface Mount 3-Circuit Track

GENERAL

Brand: Prolicht

Division: Architectural

Mounting Type: Track

PHYSICAL

Shape: Rectangle

Length (mm): 2438

Length (in): 96"

Width (mm): 32

Width (in): 1 1/4"

Height (mm): 38

Height (in): 1 1/2"

Fixture Finish: WHI / BLK / GRY

Fixture Material: Aluminum

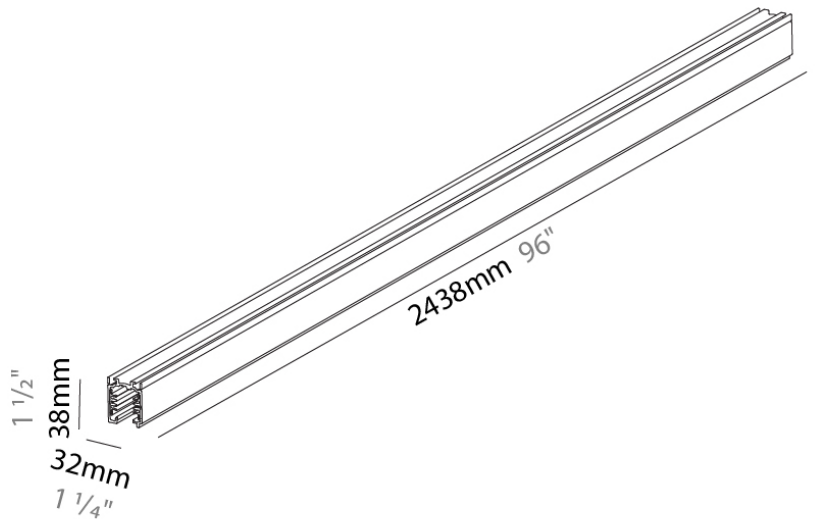
ELECTRICAL

Driver Included: No

RATINGS AND CERTIFICATIONS

Certified By: Certified for North American Standards

IP rating: IP20



PROJECT	_____
TYPE	_____
NOTES	_____
QUANTITY	_____
DATE	_____

A32L420-TRK-TRI-SYS COMPONENTS TRACK

STRV120

DESCRIPTION

Cutting Tool for Track Conductors

GENERAL

Brand: Prolicht

Division: Architectural

Mounting Type: Track

PHYSICAL

Length (mm): 245

Length (in): 9 ⁵/₈

Height (mm): 58

Height (in): 2 ⁵/₁₆

Fixture Material: Aluminum

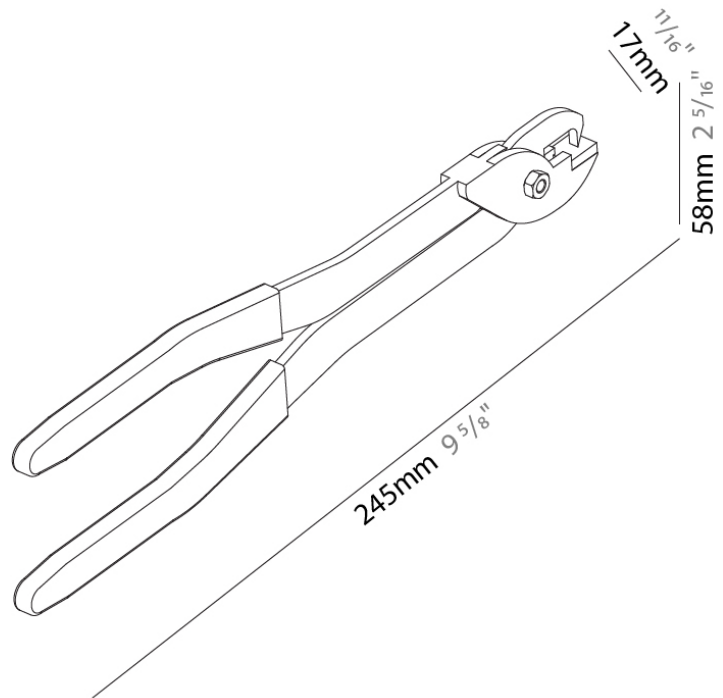
ELECTRICAL

Driver Included: No

RATINGS AND CERTIFICATIONS

Certified By: Certified for North American Standards

IP rating: IP20



A

LEGEND

	floor-mounted		pivotable		special LED (upon request) RGB, RGBW, tunable, gold+, meat+, art+, fashion+
	wall and ceiling: recessed and surface mounted		rotating		warm dim / natural dimming LED
	ceiling-mounted and wall-mounted		illuminate tilted		rechargeable battery powered
	wall-mounted		color of suspension cable		fixture with natural vivid LED (upon request)
	omni-directional light distribution		length of suspension cable		color rendering index
	direct light distribution		reflector degree selection		color temperature
	direct/indirect light distribution		super spot		lumen (luminous flux)
	indirect light distribution		lens		efficacy (lumens per watt)
	asymmetric light distribution		lens pack		Unified Glare Rating (UGR) range from 5-40
	aura light distribution		shine ring		marine grade (AISI 316 stainless steel)
	round wall or ceiling cut-out		integrated shine ring with diffuser		walk on
	square wall or ceiling cut-out		free individual colors 01-29		drive on
	the supplied jig specifies the cutout dimensions		individual colors: 00 (free of charge), 01-25 (extra charge)		Dark Sky Compliance
	minimum distance (meters) lamp - object		luminaire part to be colored (F1)		Americans with Disabilities Act (less than 4" off the wall located between 27"-84" from floor)
	recessed depth		luminaire part to be colored (F2)		lamp protected against explosion
	ceiling thickness in mm		luminaire part to be colored (F3)		blown glass using traditional methods by master glass blower
	ceiling thickness selection		luminaire part to be colored (F4)		acoustic material
	dimmable DP (phase), DV (0-10V), DD (dali), DS (step-dim)		luminaire part to be colored (F5)		protection class I, protection insulation
	included or excluded LED driver/transformer/control gear		color of 3-circuit adaptor		protection class II, protection insulation
	separately switchable		indirect diffuser		ETL Certified to UL and CSA Standards
	sensor		direct diffuser		UL Certified to UL and CSA Standards
	remote control		ball-proof (upon request)		CSA Certified to UL and CSA Standards
	available upon request		accessory		Certified for North American Standards

IP RATING

	protected against ingress of solid bodies greater than 12.5mm (finger)
	protected against ingress of solid bodies greater than 2.5mm protected against sprays of water up to 60 degrees from the vertical (rain)
	protected against ingress of solid bodies greater than 1mm (wire) no protection against the ingress of moisture
	protected against ingress of solid bodies greater than 1mm (wire) protected against sprays of water up to 60 degrees from the vertical (rain)
	protected against ingress of solid bodies greater than 1mm (wire) protected against water splashed from all directions
	protected against limited ingress of dust (wet rooms/covered outdoor areas) protected against water splashed from all directions
	protected against ingress of dust protected against jets of water
	protected against ingress of dust protected against powerful jets of water or heavy seas
	protected against ingress of dust protected against immersion of water between 15cm - 1m for 30 minutes
	protected against ingress of dust protected against immersion of water under pressure for long periods

IK RATING

	protected against 0.14 joules impact (equivalent to 0.25kg mass dropped from 56mm above the surface)
	protected against 0.2 joules impact (equivalent to 0.25kg mass dropped from 80mm above the surface)
	protected against 0.35 joules impact (equivalent to 0.25kg mass dropped from 140mm above the surface)
	protected against 0.5 joules impact (equivalent to 0.25kg mass dropped from 200mm above the surface)
	protected against 0.7 joules impact (equivalent to 0.25kg mass dropped from 280mm above the surface)
	protected against 1 joules impact (equivalent to 0.25kg mass dropped from 400mm above the surface)
	protected against 2 joules impact (equivalent to 0.5kg mass dropped from 400mm above the surface)
	protected against 5 joules impact (equivalent to 1.7kg mass dropped from 300mm above the surface)
	protected against 10 joules impact (equivalent to 5.0kg mass dropped from 200mm above the surface)
	protected against 20 joules impact (equivalent to 5.0kg mass dropped from 400mm above the surface)