

A3BU-SUS-SYS COMPONENTS

PROJECT	_____
TYPE	_____
NOTES	_____
QUANTITY	_____
DATE	_____

A38991-

DESCRIPTION
 Bunga / Fino System - Insert - 1140mm / 44 7/8" - 18W / 12.8W
 [O/P] (3500K) LED (Zhaga Standard) - 3000K / 3500K / 4000K -
 CRI >80

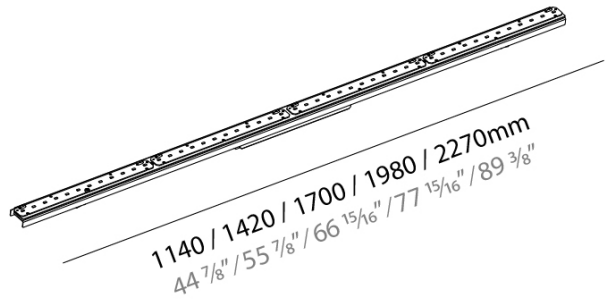
GENERAL
 Series: Bunga _____
 Partner: Prolicht _____
 Division: Architectural _____

PHYSICAL
 Shape: Rectangle _____
 Length (mm): 1140 _____
 Length (in): 44 7/8 _____
 Width (mm): 36 _____
 Width (in): 1 1/16 _____
 Height (mm): 60 _____
 Height (in): 2 3/8 _____
 Weight (kg): 1.275 _____
 Weight (lbs): 2.81 _____
 Fixture Material: PMMA / Aluminum _____

ELECTRICAL
 Input Wattage Range: 10 - 19 W _____
 Lamp Type: LED (Zhaga Standard) _____
 Input Wattage (W): 18 _____
 Total Output Wattage (W): 16 / 12.8 (3500K) _____
 Dimming: Non-Dimming / Phase Dimming (120Vac only) / 0-10V Dimming _____
 Driver Included: Yes _____
 Driver Location: Integrated _____
 Driver Type: Constant Current - 120 / 277Vac _____
 Driver Class: Class 2 _____
 Input Voltage (V): 120 - 277 _____
 Constant Current (mA): 350 / 400 (3500K) _____

LED
 Delivered Lumen Range: 2000 - 2999 lm _____
 Color Temperature (°K): 3000 / 3500 / 4000 _____
 Max. Delivered Lumen (lm): 2210 / 2293 / 2340 _____
 Nominal Lumen (lm): 2840 / 2940 / 3000 _____
 CRI: >80 CRI _____
 Lamp Life (hrs): 50000 _____

RATINGS AND CERTIFICATIONS
 Certified By: Certified for North American Standards _____
 IP rating: IP20 _____



PROJECT _____
 TYPE _____
 NOTES _____
 QUANTITY _____
 DATE _____

A3BU-SUS-SYS COMPONENTS

A38992-

DESCRIPTION
 Bunga / Fino System - Insert - 1420mm / 55 7/8" - 22.5W / 16W
 [O/P] (3500K) LED (Zhaga Standard) - 3000K / 3500K / 4000K -
 CRI >80

GENERAL

Series: Bunga _____
 Partner: Prolicht _____
 Division: Architectural _____

PHYSICAL

Shape: Rectangle _____
 Length (mm): 1420 _____
 Length (in): 55 7/8 _____
 Width (mm): 36 _____
 Width (in): 1 1/16 _____
 Height (mm): 60 _____
 Height (in): 2 3/8 _____
 Weight (kg): 1.524 _____
 Weight (lbs): 3.36 _____
 Fixture Material: PMMA / Aluminum _____

ELECTRICAL

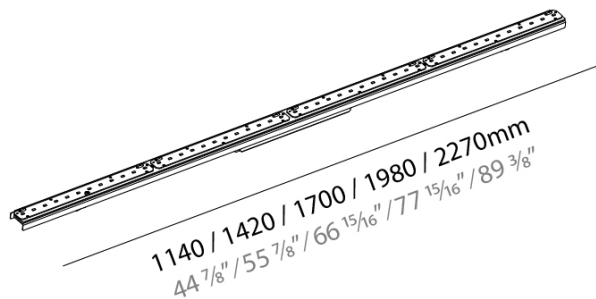
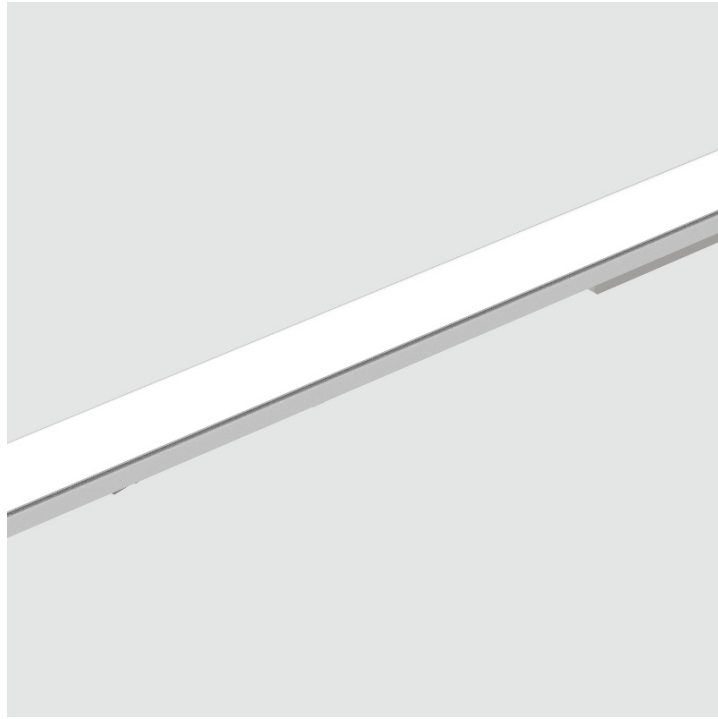
Input Wattage Range: 20 - 29 W _____
 Lamp Type: LED (Zhaga Standard) _____
 Input Wattage (W): 22.5 _____
 Total Output Wattage (W): 20 / 16 (3500K) _____
 Dimming: Non-Dimming / Phase Dimming (120Vac only) / 0-10V
 Dimming _____
 Driver Included: Yes _____
 Driver Location: Integrated _____
 Driver Type: Constant Current - 120 / 277Vac _____
 Driver Class: Class 2 _____
 Input Voltage (V): 120 - 277 _____
 Constant Current (mA): 350 / 500 (3500K) _____

LED

Delivered Lumen Range: 2000 - 2999 lm _____
 Color Temperature (°K): 3000 / 3500 / 4000 _____
 Max. Delivered Lumen (lm): 2270 / 2862 / 2920 _____
 Nominal Lumen (lm): 3550 / 3675 / 3750 _____
 CRI: >80 CRI _____
 Lamp Life (hrs): 50000 _____

RATINGS AND CERTIFICATIONS

Certified By: Certified for North American Standards _____
 IP rating: IP20 _____



A3BU-SUS-SYS COMPONENTS

PROJECT	_____
TYPE	_____
NOTES	_____
QUANTITY	_____
DATE	_____

A38993-

DESCRIPTION
 Bunga / Fino System - Insert - 1700mm - 27W / 19.2W [O/P]
 (3500K) - LED (Zhaga Standard) - 3000K / 3500K / 4000K CRI >80
 LED (Zhaga Standard)

GENERAL

Series: Bunga _____
 Partner: Prolicht _____
 Division: Architectural _____

PHYSICAL

Shape: Rectangle _____
 Length (mm): 1700 _____
 Length (in): 66 ¹⁵/₁₆ _____
 Width (mm): 36 _____
 Width (in): 1 ⁷/₁₆ _____
 Height (mm): 60 _____
 Height (in): 2 ³/₈ _____
 Fixture Material: PMMA / Aluminum _____

ELECTRICAL

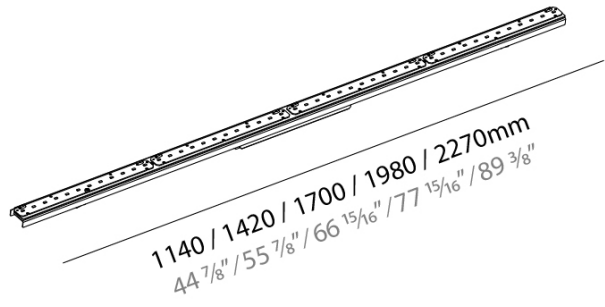
Input Wattage Range: 30 - 49 W _____
 Lamp Type: LED (Zhaga Standard) _____
 Input Wattage (W): 27 _____
 Total Output Wattage (W): 24 / 19.2 (3500K) _____
 Dimming: Non-Dimming / Phase Dimming (120Vac only) / 0-10V Dimming _____
 Driver Included: Yes _____
 Driver Location: Integrated _____
 Driver Type: Constant Current - 120 / 277Vac _____
 Driver Class: Class 2 _____
 Input Voltage (V): 120 - 277 _____
 Constant Current (mA): 350 / 600 (3500K) _____

LED

Color Temperature (°K): 3000 / 3500 / 4000 _____
 Max. Delivered Lumen (lm): 3320 / 3440 / 3510 _____
 Nominal Lumen (lm): 4260 / 4410 / 4500 _____
 CRI: >80 CRI _____
 Lamp Life (hrs): 50000 _____

RATINGS AND CERTIFICATIONS

Certified By: Certified for North American Standards _____
 IP rating: IP20 _____



PROJECT _____
 TYPE _____
 NOTES _____
 QUANTITY _____
 DATE _____

A3BU-SUS-SYS COMPONENTS

A38994-

DESCRIPTION
 Bunga / Fino System - Insert - 1980mm - 31.5W / 22.4W [O/P]
 (3500K) - LED (Zhaga Standard) - 3000K / 3500K / 4000K CRI >80
 LED (Zhaga Standard)

GENERAL

Series: Bunga _____
 Partner: Prolicht _____
 Division: Architectural _____

PHYSICAL

Shape: Rectangle _____
 Length (mm): 1980 _____
 Length (in): 77 ¹⁵/₁₆ _____
 Width (mm): 36 _____
 Width (in): 1 ⁷/₁₆ _____
 Height (mm): 60 _____
 Height (in): 2 ³/₈ _____
 Weight (kg): 2.016 _____
 Weight (lbs): 4.44 _____
 Fixture Material: PMMA / Aluminum _____

ELECTRICAL

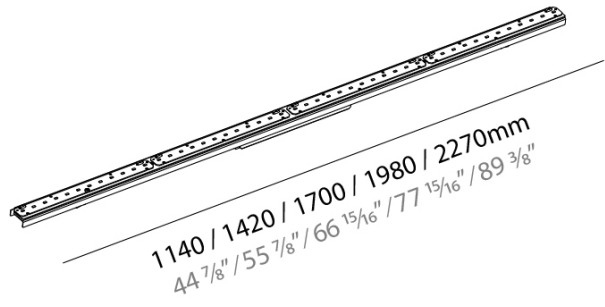
Input Wattage Range: 30 - 49 W _____
 Lamp Type: LED (Zhaga Standard) _____
 Input Wattage (W): 31.5 _____
 Total Output Wattage (W): 28 / 22.4 (3500K) _____
 Dimming: Non-Dimming / Phase Dimming (120Vac only) / 0-10V
 Dimming _____
 Driver Included: Yes _____
 Driver Location: Integrated _____
 Driver Type: Constant Current - 120 / 277Vac _____
 Driver Class: Class 2 _____
 Input Voltage (V): 120 - 277 _____
 Constant Current (mA): 350 / 700 (3500K) _____

LED

Color Temperature (°K): 3000 / 3500 / 4000 _____
 Max. Delivered Lumen (lm): 3870 / 4008 / 4090 _____
 Nominal Lumen (lm): 4970 / 5145 / 5250 _____
 CRI: >80 CRI _____
 Lamp Life (hrs): 50000 _____

RATINGS AND CERTIFICATIONS

Certified By: Certified for North American Standards _____
 IP rating: IP20 _____



PROJECT _____
 TYPE _____
 NOTES _____
 QUANTITY _____
 DATE _____

A3BU-SUS-SYS COMPONENTS

A38995-

DESCRIPTION
 Bunga / Fino System - Insert - 2270mm / 89 3/8" - 36W / 25.6W
 [O/P] (3500K) LED (Zhaga Standard) - 3000K / 3500K / 4000K -
 CRI >80

GENERAL

Series: Bunga _____
 Partner: Prolicht _____
 Division: Architectural _____

PHYSICAL

Shape: Rectangle _____
 Length (mm): 2270 _____
 Length (in): 89 3/8 _____
 Width (mm): 36 _____
 Width (in): 1 1/16 _____
 Height (mm): 60 _____
 Height (in): 2 3/8 _____
 Weight (kg): 2.305 _____
 Weight (lbs): 5.08 _____
 Fixture Material: PMMA / Aluminum _____

ELECTRICAL

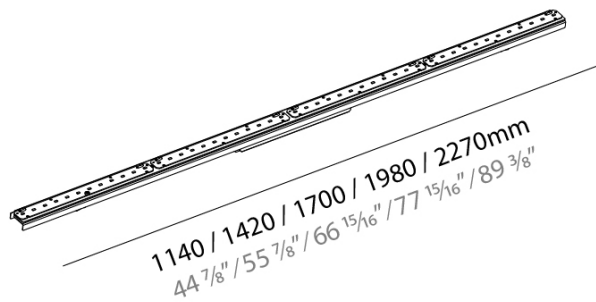
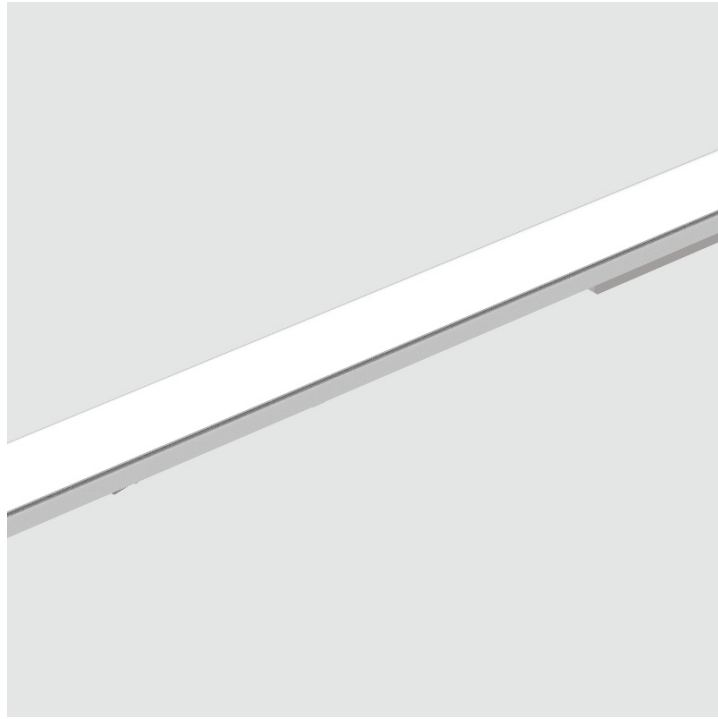
Input Wattage Range: 30 - 49 W _____
 Lamp Type: LED (Zhaga Standard) _____
 Input Wattage (W): 36 _____
 Total Output Wattage (W): 32 / 25.6 (3500K) _____
 Dimming: Non-Dimming / Phase Dimming (120Vac only) / 0-10V Dimming _____
 Driver Included: Yes _____
 Driver Location: Integrated _____
 Driver Type: Constant Current - 120 / 277Vac _____
 Driver Class: Class 2 _____
 Input Voltage (V): 120 - 277 _____
 Constant Current (mA): 350 / 400 (3500K) _____

LED

Delivered Lumen Range: 3000 - 4999 lm _____
 Color Temperature (°K): 3000 / 3500 / 4000 _____
 Max. Delivered Lumen (lm): 4420 / 4577 / 4670 _____
 Nominal Lumen (lm): 5680 / 5880 / 6000 _____
 CRI: >80 CRI _____
 Lamp Life (hrs): 50000 _____

RATINGS AND CERTIFICATIONS

Certified By: Certified for North American Standards _____
 IP rating: IP20 _____



A3BU-SUS-SYS COMPONENTS

A39009-

DESCRIPTION
Suspension Cable with Quick Release 6000mm

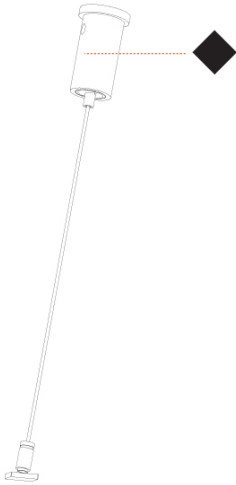
GENERAL

Partner: Prolight
Division: Architectural

PHYSICAL

Diameter (mm): 19
Length (mm): 6,000
Width (mm): 65mm 2 9/16"
Height (mm): 22
Max. Overall Height (mm): 6,000

PROJECT
TYPE
NOTES
QUANTITY
DATE



max. distance: 1800mm 70 7/8"



A3BU-SUS-SYS COMPONENTS

A39010-

DESCRIPTION
Suspension Cable with Quick Release 2000mm

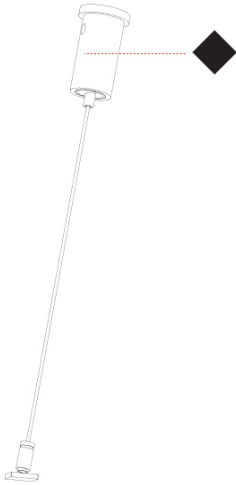
GENERAL

Partner: Prolight
Division: Architectural

PHYSICAL

Diameter (mm): 19
Length (mm): 2,000
Height (mm): 22
Max. Overall Height (mm): 2,000

PROJECT
TYPE
NOTES
QUANTITY
DATE



max. distance: 1800mm 70 7/8"



A3BU-SUS-SYS COMPONENTS

PROJECT _____
 TYPE _____
 NOTES _____
 QUANTITY _____
 DATE _____

A39013-

DESCRIPTION
 Suspension Power Feed 3x0.75, 2000mm

GENERAL

Partner: Prolight _____
 Division: Architectural _____

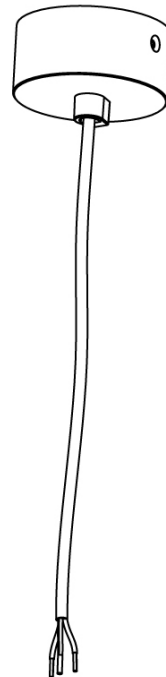
PHYSICAL

Shape: Round _____
 Diameter (mm): 120 _____
 Diameter (in): 4 3/4 _____
 Length (mm): 2000 _____
 Length (in): 78 3/4 _____
 Width (mm): 120 _____
 Width (in): 4 3/4 _____
 Height (mm): 30 _____
 Height (in): 1 1/16 _____
 Weight (kg): 0.3 _____
 Weight (lbs): 0.66 _____

Fixture Finish: ANA / SSR / BKV / CWI / CRY / HAB / MSR / UFT / ITA /
 RUA / OGR / FTG / MYG / RWR / LOD / PUS / FRO / FUP / KIA / POP /
 BLS / SPG / MEY / GOH / CHC / COM / ABZ / JAG / OBR / MOS / ROR
 Fixture Material: Aluminum _____

RATINGS AND CERTIFICATIONS

Certified By: Certified for North American Standards _____
 IP rating: IP20 _____



A3BU-SUS-SYS COMPONENTS

PROJECT _____
TYPE _____
NOTES _____
QUANTITY _____
DATE _____

A39014-

DESCRIPTION
Suspension Power Feed 5x0.75 - 2000mm

GENERAL

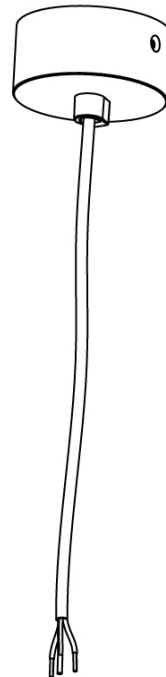
Partner: Prolight _____
Division: Architectural _____

PHYSICAL

Shape: Round _____
Diameter (mm): 120 _____
Diameter (in): 4 ³/₄ _____
Length (mm): 2000 _____
Length (in): 78 ³/₄ _____
Width (mm): 120 _____
Width (in): 4 ³/₄ _____
Height (mm): 30 _____
Height (in): 1 ¹/₁₆ _____
Weight (kg): 0.3 _____
Weight (lbs): 0.661 _____
Fixture Finish: ANA / SSR / BKV / CWI / CRY / HAB / MSR / UFT / ITA /
RUA / OGR / FTG / MYG / RWR / LOD / PUS / FRO / FUP / KIA / POP /
BLS / SPG / MEY / GOH / CHC / COM / ABZ / JAG / OBR / MOS / ROR _____
Fixture Material: Aluminum _____

RATINGS AND CERTIFICATIONS

Certified By: Certified for North American Standards _____
IP rating: IP20 _____



PROJECT _____
 TYPE _____
 NOTES _____
 QUANTITY _____
 DATE _____

A3BU-SUS-SYS COMPONENTS

A39015-

DESCRIPTION
 Suspension Power Feed 4x0.75 2000mm 2 Circuits Phase Dimming

GENERAL

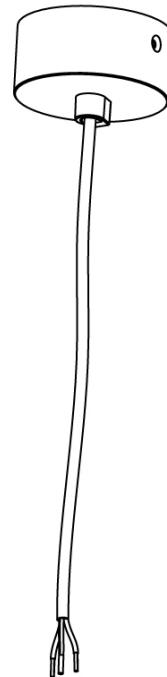
Partner: Prolight _____
 Division: Architectural _____

PHYSICAL

Shape: Round _____
 Diameter (mm): 120 _____
 Diameter (in): 4 3/4 _____
 Length (mm): 6000 _____
 Length (in): 236 1/4 _____
 Width (mm): 120 _____
 Width (in): 4 3/4 _____
 Height (mm): 30 _____
 Height (in): 1 1/16 _____
 Weight (kg): 0.118 _____
 Weight (lbs): 0.26 _____
 Fixture Finish: ANA / SSR / BKV / CWI / CRY / HAB / MSR / UFT / ITA /
 RUA / OGR / FTG / MYG / RWR / LOD / PUS / FRO / FUP / KIA / POP /
 BLS / SPG / MEY / GOH / CHC / COM / ABZ / JAG / OBR / MOS / ROR _____
 Fixture Material: Aluminum _____

RATINGS AND CERTIFICATIONS

Certified By: Certified for North American Standards _____
 IP rating: IP20 _____



A3BU-SUS-SYS COMPONENTS

PROJECT _____
TYPE _____
NOTES _____
QUANTITY _____
DATE _____

A39016-

DESCRIPTION
Suspension Power Feed 3x0.75, 6000mm

GENERAL

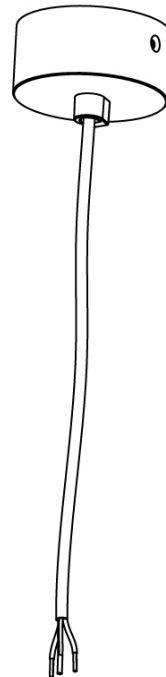
Partner: Prolicht _____
Division: Architectural _____

PHYSICAL

Shape: Round _____
Diameter (mm): 120 _____
Diameter (in): 4 3/4 _____
Length (mm): 6000 _____
Length (in): 236 1/4 _____
Width (mm): 120 _____
Width (in): 4 3/4 _____
Height (mm): 30 _____
Height (in): 1 1/16 _____
Weight (kg): 0.117 _____
Weight (lbs): 0.258 _____
Fixture Finish: ANA / SSR / BKV / CWI / CRY / HAB / MSR / UFT / ITA /
RUA / OGR / FTG / MYG / RWR / LOD / PUS / FRO / FUP / KIA / POP /
BLS / SPG / MEY / GOH / CHC / COM / ABZ / JAG / OBR / MOS / ROR _____
Fixture Material: Aluminum _____

RATINGS AND CERTIFICATIONS

Certified By: Certified for North American Standards _____
IP rating: IP20 _____



A3BU-SUS-SYS COMPONENTS

PROJECT _____
TYPE _____
NOTES _____
QUANTITY _____
DATE _____

A39017-

DESCRIPTION
Suspension Power Feed 5x0.75, 6000mm

GENERAL

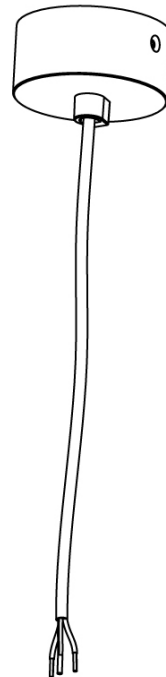
Partner: Prolight _____
Division: Architectural _____

PHYSICAL

Shape: Round _____
Diameter (mm): 120 _____
Diameter (in): 4 ³/₄ _____
Length (mm): 6000 _____
Length (in): 236 ¹/₄ _____
Width (mm): 120 _____
Width (in): 4 ³/₄ _____
Height (mm): 30 _____
Height (in): 1 ¹/₁₆ _____
Weight (kg): 0.117 _____
Weight (lbs): 0.258 _____
Fixture Finish: ANA / SSR / BKV / CWI / CRY / HAB / MSR / UFT / ITA /
RUA / OGR / FTG / MYG / RWR / LOD / PUS / FRO / FUP / KIA / POP /
BLS / SPG / MEY / GOH / CHC / COM / ABZ / JAG / OBR / MOS / ROR _____
Fixture Material: Aluminum _____

RATINGS AND CERTIFICATIONS

Certified By: Certified for North American Standards _____
IP rating: IP20 _____



PROJECT _____
 TYPE _____
 NOTES _____
 QUANTITY _____
 DATE _____

A3BU-SUS-SYS COMPONENTS

A39018-

DESCRIPTION
 Suspension Power Feed 4x0.75, 6000mm 2 Circuits Phase Dimming

GENERAL

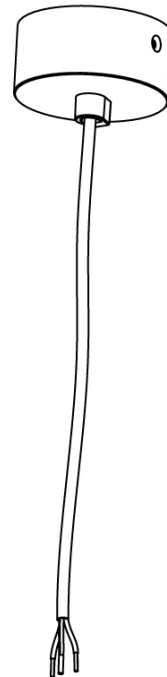
Partner: Prolight _____
 Division: Architectural _____

PHYSICAL

Shape: Round _____
 Diameter (mm): 81 _____
 Diameter (in): 3 3/16 _____
 Length (mm): 3 3/16 _____
 Length (in): 236 1/4 _____
 Width (mm): 81 _____
 Width (in): 3 3/16 _____
 Height (mm): 32 _____
 Height (in): 1 1/4 _____
 Weight (kg): 0.35 _____
 Weight (lbs): 0.77 _____
 Fixture Finish: ANA / SSR / BKV / CWI / CRY / HAB / MSR / UFT / ITA / RUA / OGR / FTG / MYG / RWR / LOD / PUS / FRO / FUP / KIA / POP / BLS / SPG / MEY / GOH / CHC / COM / ABZ / JAG / OBR / MOS / ROR _____
 Fixture Material: Aluminum _____

RATINGS AND CERTIFICATIONS

Certified By: Certified for North American Standards _____
 IP rating: IP20 _____



PROJECT	_____
TYPE	_____
NOTES	_____
QUANTITY	_____
DATE	_____

A3BU-SUS-SYS COMPONENTS SURFACE

A3983000

DESCRIPTION
 Bunga System - Opal Diffuser Per Meter - Max 3000mm / 118 1/8"

GENERAL

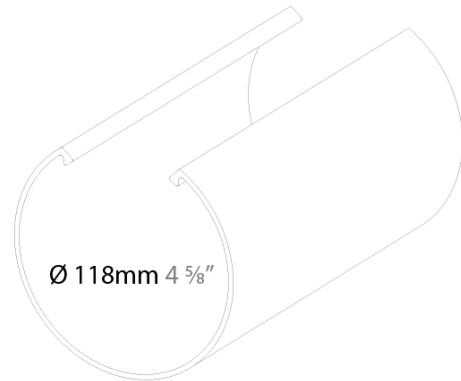
Series: Bunga _____
 Partner: Prolight _____
 Division: Architectural _____
 Installation: Surface _____
 Product Type: Linear Profiles _____
 Mounting Location: Ceiling _____

PHYSICAL

Shape: Cylinder _____
 Length (mm): 1000 _____
 Length (in): 39 3/8 _____
 Width (mm): 115 _____
 Width (in): 4 1/2 _____
 Height (mm): 108 _____
 Height (in): 4 1/4 _____
 Weight (kg): 0.95 _____
 Weight (lbs): 2.09 _____
 Diffuser: PMMA - Opal _____
 Fixture Material: Aluminum _____

RATINGS AND CERTIFICATIONS

Certified By: Certified for North American Standards _____
 IP rating: IP20 _____



max. 3000mm 118 1/8"



PROJECT _____
TYPE _____
NOTES _____
QUANTITY _____
DATE _____

A3BU-SUS-SYS COMPONENTS SURFACE

A3983200

DESCRIPTION
Bunga System - Linear Coupler

GENERAL

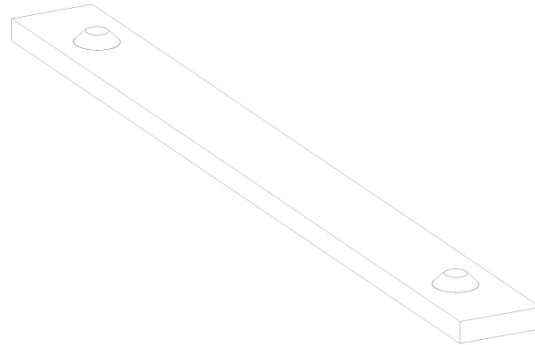
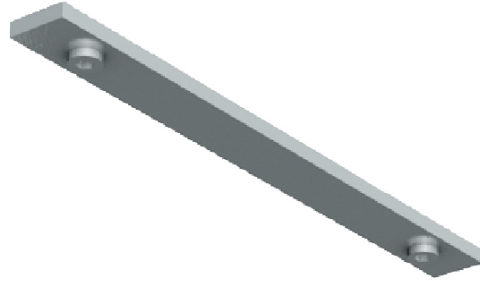
Series: Bunga
Partner: Prolight
Division: Architectural
Installation: Surface
Mounting Location: Ceiling

PHYSICAL

Shape: Rectangle
Length (mm): 80
Length (in): 3 1/8
Width (mm): 8
Width (in): 5/16
Height (mm): 4
Height (in): 3/16
Weight (kg): 0.021
Weight (lbs): 0.046
Fixture Material: Aluminum

RATINGS AND CERTIFICATIONS

Certified By: Certified for North American Standards
IP rating: IP20



A3BU-SUS-SYS COMPONENTS

A39833-

DESCRIPTION
Bunga - Suspension - End Cap

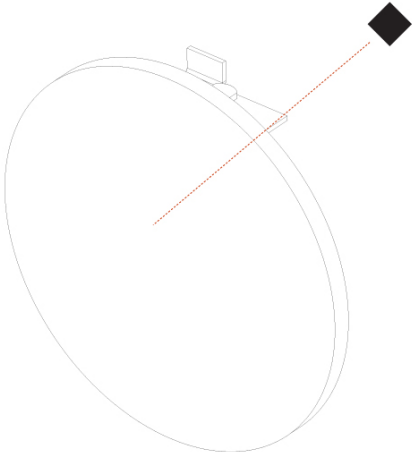
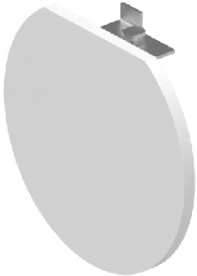
GENERAL

Partner: Prolight
Division: Architectural

PHYSICAL

Diameter (mm): 118
Width (mm): 6
Height (mm): 118mm 4 5/8"

PROJECT
TYPE
NOTES
QUANTITY
DATE



Ø 118mm 4 5/8"



A3BU-SUS-SYS COMPONENTS

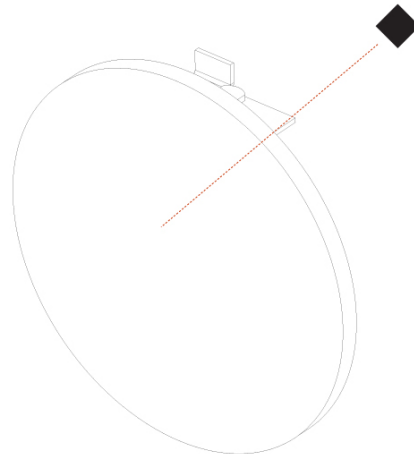
A39838-

DESCRIPTION
Bunga Plus - Suspension - End Cap

GENERAL
Partner: Prolight
Division: Architectural

PHYSICAL
Diameter (mm): 118
Width (mm): 25
Height (mm): 118mm 4 5/8"

PROJECT	_____
TYPE	_____
NOTES	_____
QUANTITY	_____
DATE	_____



Ø 118mm 4 5/8"



PROJECT _____

TYPE _____

NOTES _____

QUANTITY _____

DATE _____

LEGEND

	floor-mounted		pivotal		special LED (upon request) RGB, RGBW, tunable, gold+, meat+, art+, fashion+
	wall and ceiling: recessed and surface mounted		rotating		warm dim / natural dimming LED
	ceiling-mounted and wall-mounted		illuminate tilted		rechargeable battery powered
	wall-mounted		color of suspension cable		fixture with natural vivid LED (upon request)
	omni-directional light distribution		length of suspension cable		color rendering index
	direct light distribution		reflector degree selection		color temperature
	direct/indirect light distribution		super spot		lumen (luminous flux)
	indirect light distribution		lens		efficacy (lumens per watt)
	asymmetric light distribution		lens pack		Unified Glare Rating (UGR) range from 5-40
	aura light distribution		shine ring		marine grade (AISI 316 stainless steel)
	round wall or ceiling cut-out		integrated shine ring with diffuser		walk on
	square wall or ceiling cut-out		free individual colors 01-29		drive on
	the supplied jig specifies the cutout dimensions		individual colors: 00 (free of charge), 01-25 (extra charge)		Dark Sky Compliance
	minimum distance (meters) lamp - object		luminaire part to be colored (F1)		Americans with Disabilities Act (less than 4" off the wall located between 27"-84" from floor)
	recessed depth		luminaire part to be colored (F2)		lamp protected against explosion
	ceiling thickness in mm		luminaire part to be colored (F3)		blown glass using traditional methods by master glass blower
	ceiling thickness selection		luminaire part to be colored (F4)		acoustic material
	dimnable DP (phase), DV (0-10V), DD (dali), DS (step-dim)		luminaire part to be colored (F5)		protection class I, protection insulation
	included or excluded LED driver/transformer/control gear		color of 3-circuit adaptor		protection class II, protection insulation
	separately switchable		indirect diffuser		ETL Certified to UL and CSA Standards
	sensor		direct diffuser		UL Certified to UL and CSA Standards
	remote control		ball-proof (upon request)		CSA Certified to UL and CSA Standards
	available upon request		accessory		Certified for North American Standards

IP RATING

	protected against ingress of solid bodies greater than 12.5mm (finger)
	protected against ingress of solid bodies greater than 2.5mm protected against sprays of water up to 60 degrees from the vertical (rain)
	protected against ingress of solid bodies greater than 1mm (wire) no protection against the ingress of moisture
	protected against ingress of solid bodies greater than 1mm (wire) protected against sprays of water up to 60 degrees from the vertical (rain)
	protected against ingress of solid bodies greater than 1mm (wire) protected against water splashed from all directions
	protected against limited ingress of dust (wet rooms/covered outdoor areas) protected against water splashed from all directions
	protected against ingress of dust protected against jets of water
	protected against ingress of dust protected against powerful jets of water or heavy seas
	protected against ingress of dust protected against immersion of water between 15cm - 1m for 30 minutes
	protected against ingress of dust protected against immersion of water under pressure for long periods

IK RATING

	protected against 0.14 joules impact (equivalent to 0.25kg mass dropped from 56mm above the surface)
	protected against 0.2 joules impact (equivalent to 0.25kg mass dropped from 80mm above the surface)
	protected against 0.35 joules impact (equivalent to 0.25kg mass dropped from 140mm above the surface)
	protected against 0.5 joules impact (equivalent to 0.25kg mass dropped from 200mm above the surface)
	protected against 0.7 joules impact (equivalent to 0.25kg mass dropped from 280mm above the surface)
	protected against 1 joules impact (equivalent to 0.25kg mass dropped from 400mm above the surface)
	protected against 2 joules impact (equivalent to 0.5kg mass dropped from 400mm above the surface)
	protected against 5 joules impact (equivalent to 1.7kg mass dropped from 300mm above the surface)
	protected against 10 joules impact (equivalent to 5.0kg mass dropped from 200mm above the surface)
	protected against 20 joules impact (equivalent to 5.0kg mass dropped from 400mm above the surface)