

A3FI-SUR-SYS COMPONENTS SURFACE

A3240003

DESCRIPTION

Bunga / Fino System - Surface Profile Per Meter (Crystal White 03 Only) - Max 3000mm / 118 1/8"

GENERAL

Series: Bunga
Partner: Prolight
Division: Architectural
Installation: Surface
Product Type: Linear Profiles
Mounting Location: Ceiling

PHYSICAL

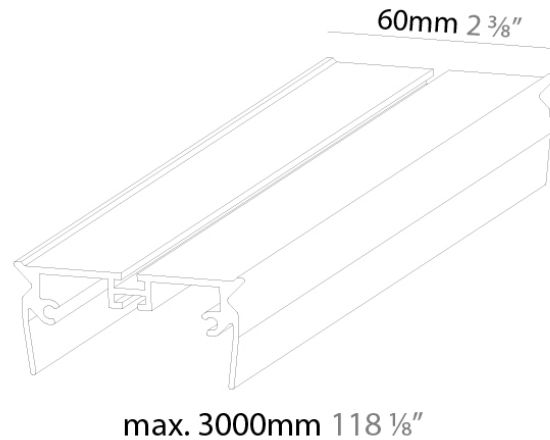
Shape: Rectangle
Length (mm): 1000
Length (in): 39 3/8
Width (mm): 60
Width (in): 2 3/8
Height (mm): 28
Height (in): 1 1/8
Weight (kg): 0.8
Weight (lbs): 1.76
Fixture Material: Aluminum

ELECTRICAL

Lamp Type: LED (Zhaga Standard)

RATINGS AND CERTIFICATIONS

Certified By: Certified for North American Standards
IP rating: IP20



PROJECT
TYPE
NOTES
QUANTITY
DATE

A3FI-SUR-SYS COMPONENTS

A38991-

DESCRIPTION

Bunga / Fino System - Insert - 1140mm / 44 7/8" - 18W / 12.8W [O/P] (3500K) LED (Zhaga Standard) - 3000K / 3500K / 4000K - CRI >80

GENERAL

Series: Bunga
 Partner: Prolicht
 Division: Architectural

PHYSICAL

Shape: Rectangle
 Length (mm): 1140
 Length (in): 44 7/8
 Width (mm): 36
 Width (in): 1 7/16
 Height (mm): 60
 Height (in): 2 3/8
 Weight (kg): 1.275
 Weight (lbs): 2.81
 Fixture Material: PMMA / Aluminum

ELECTRICAL

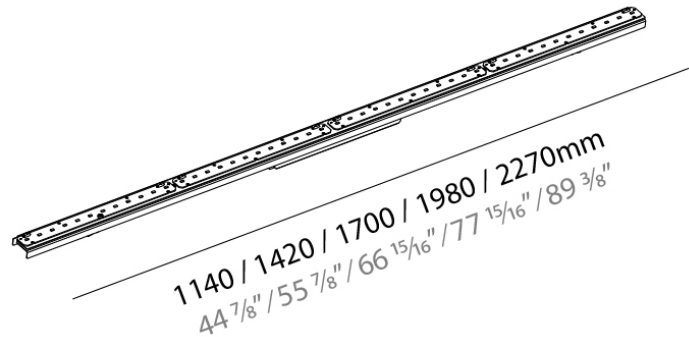
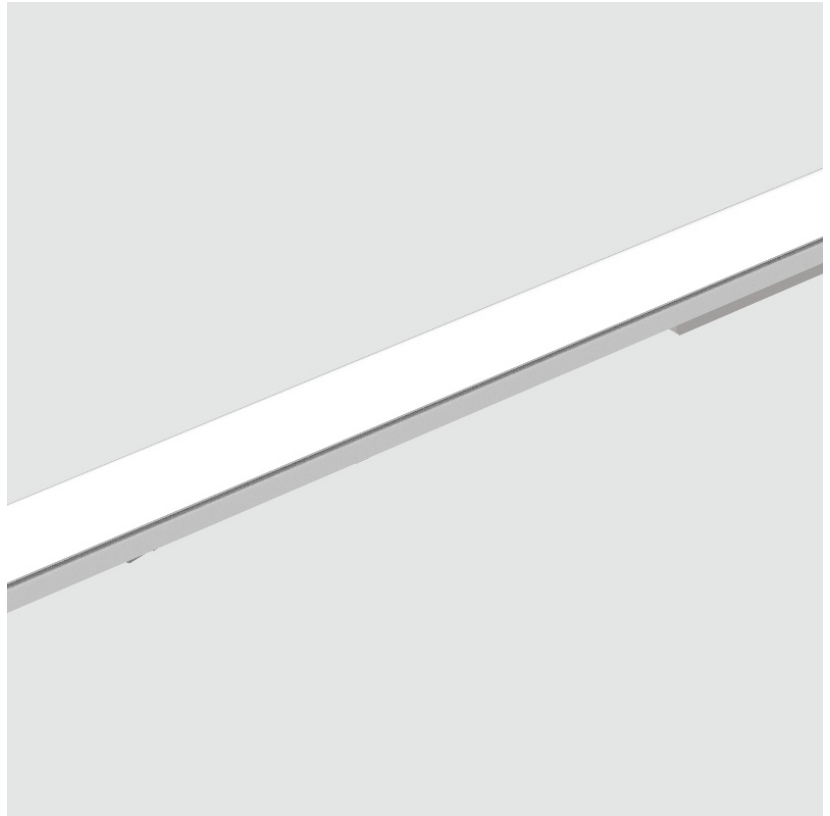
Input Wattage Range: 10 - 19 W
 Lamp Type: LED (Zhaga Standard)
 Input Wattage (W): 18
 Total Output Wattage (W): 16 / 12.8 (3500K)
 Dimming: Non-Dimming / Phase Dimming (120Vac only) / 0-10V Dimming
 Driver Included: Yes
 Driver Location: Integrated
 Driver Type: Constant Current - 120 / 277Vac
 Driver Class: Class 2
 Input Voltage (V): 120 - 277
 Constant Current (mA): 350 / 400 (3500K)

LED

Delivered Lumen Range: 2000 - 2999 lm
 Color Temperature (°K): 3000 / 3500 / 4000
 Max. Delivered Lumen (lm): 2210 / 2293 / 2340
 Nominal Lumen (lm): 2840 / 2940 / 3000
 CRI: >80 CRI
 Lamp Life (hrs): 50000

RATINGS AND CERTIFICATIONS

Certified By: Certified for North American Standards
 IP rating: IP20



A3FI-SUR-SYS COMPONENTS

A38992-

DESCRIPTION

Bunga / Fino System - Insert - 1420mm / 55 7/8" - 22.5W / 16W [O/P] (3500K) LED (Zhaga Standard) - 3000K / 3500K / 4000K - CRI >80

GENERAL

Series: Bunga _____
 Partner: Prolight _____
 Division: Architectural _____

PHYSICAL

Shape: Rectangle _____
 Length (mm): 1420 _____
 Length (in): 55 7/8 _____
 Width (mm): 36 _____
 Width (in): 1 7/16 _____
 Height (mm): 60 _____
 Height (in): 2 3/8 _____
 Weight (kg): 1.524 _____
 Weight (lbs): 3.36 _____
 Fixture Material: PMMA / Aluminum _____

ELECTRICAL

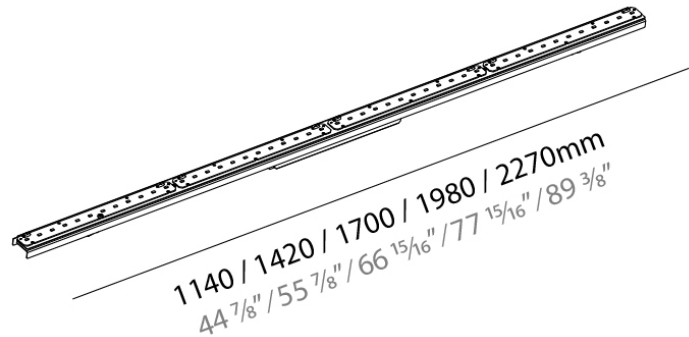
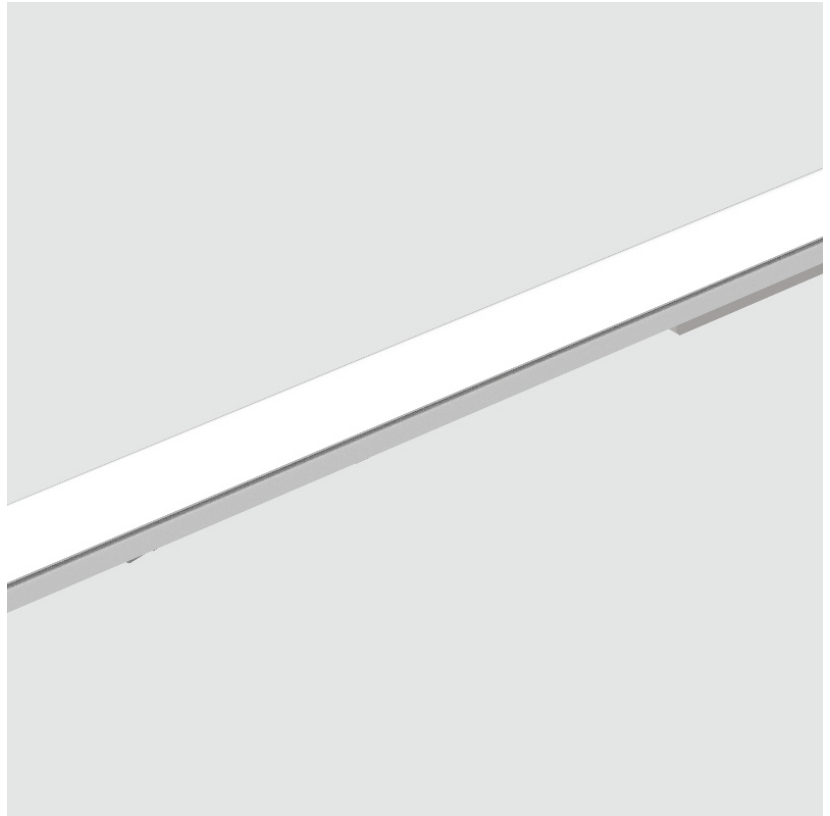
Input Wattage Range: 20 - 29 W _____
 Lamp Type: LED (Zhaga Standard) _____
 Input Wattage (W): 22.5 _____
 Total Output Wattage (W): 20 / 16 (3500K) _____
 Dimming: Non-Dimming / Phase Dimming (120Vac only) / 0-10V Dimming _____
 Driver Included: Yes _____
 Driver Location: Integrated _____
 Driver Type: Constant Current - 120 / 277Vac _____
 Driver Class: Class 2 _____
 Input Voltage (V): 120 - 277 _____
 Constant Current (mA): 350 / 500 (3500K) _____

LED

Delivered Lumen Range: 2000 - 2999 lm _____
 Color Temperature (°K): 3000 / 3500 / 4000 _____
 Max. Delivered Lumen (lm): 2270 / 2862 / 2920 _____
 Nominal Lumen (lm): 3550 / 3675 / 3750 _____
 CRI: >80 CRI _____
 Lamp Life (hrs): 50000 _____

RATINGS AND CERTIFICATIONS

Certified By: Certified for North American Standards _____
 IP rating: IP20 _____



A3FI-SUR-SYS COMPONENTS

A38993-

DESCRIPTION

Bunga / Fino System - Insert - 1700mm - 27W / 19.2W [O/P]
 (3500K) - LED (Zhaga Standard) - 3000K / 3500K / 4000K CRI >80
 LED (Zhaga Standard)

GENERAL

Series: Bunga _____
 Partner: Prolicht _____
 Division: Architectural _____

PHYSICAL

Shape: Rectangle _____
 Length (mm): 1700 _____
 Length (in): 66 ¹⁵/₁₆ _____
 Width (mm): 36 _____
 Width (in): 1 ⁷/₁₆ _____
 Height (mm): 60 _____
 Height (in): 2 ³/₈ _____
 Fixture Material: PMMA / Aluminum _____

ELECTRICAL

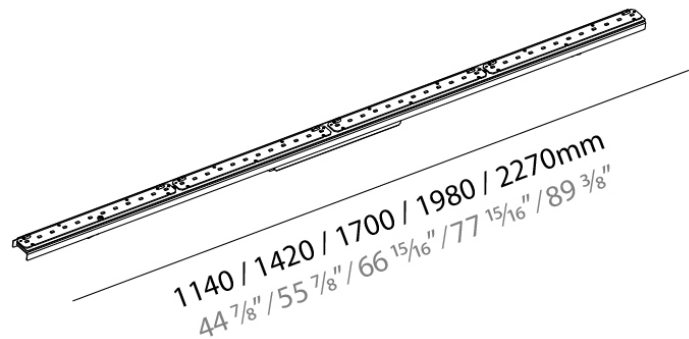
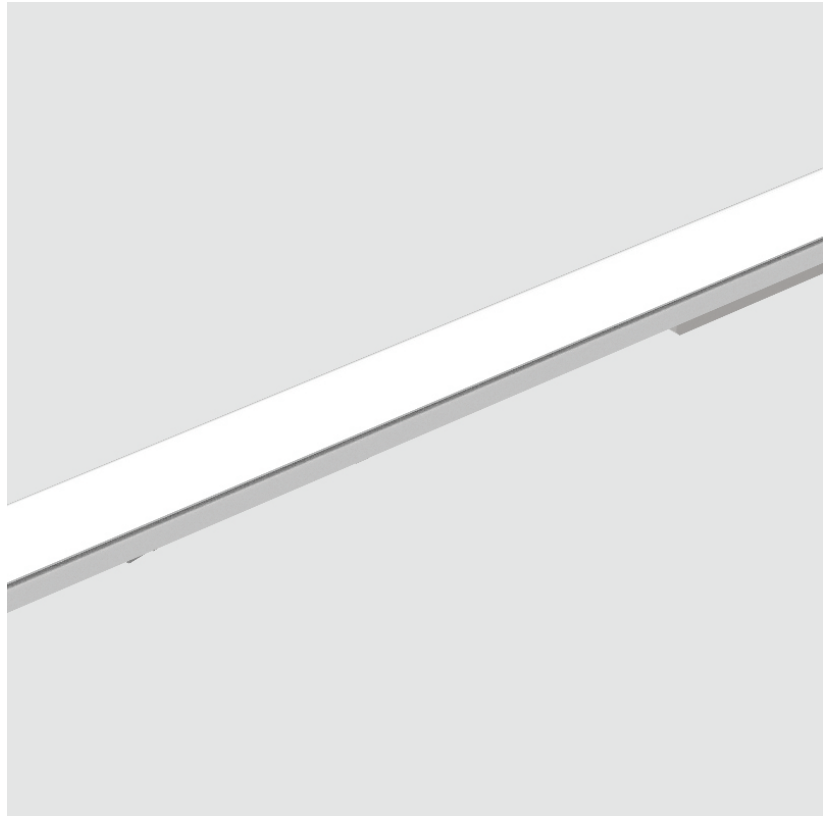
Input Wattage Range: 30 - 49 W _____
 Lamp Type: LED (Zhaga Standard) _____
 Input Wattage (W): 27 _____
 Total Output Wattage (W): 24 / 19.2 (3500K) _____
 Dimming: Non-Dimming / Phase Dimming (120Vac only) / 0-10V Dimming _____
 Driver Included: Yes _____
 Driver Location: Integrated _____
 Driver Type: Constant Current - 120 / 277Vac _____
 Driver Class: Class 2 _____
 Input Voltage (V): 120 - 277 _____
 Constant Current (mA): 350 / 600 (3500K) _____

LED

Color Temperature (°K): 3000 / 3500 / 4000 _____
 Max. Delivered Lumen (lm): 3320 / 3440 / 3510 _____
 Nominal Lumen (lm): 4260 / 4410 / 4500 _____
 CRI: >80 CRI _____
 Lamp Life (hrs): 50000 _____

RATINGS AND CERTIFICATIONS

Certified By: Certified for North American Standards _____
 IP rating: IP20 _____



A3FI-SUR-SYS COMPONENTS

A38994-

DESCRIPTION

Bunga / Fino System - Insert - 1980mm - 31.5W / 22.4W [O/P]
 (3500K) - LED (Zhaga Standard) - 3000K / 3500K / 4000K CRI >80
 LED (Zhaga Standard)

GENERAL

Series: Bunga _____
 Partner: Prolicht _____
 Division: Architectural _____

PHYSICAL

Shape: Rectangle _____
 Length (mm): 1980 _____
 Length (in): 77 ¹⁵/₁₆ _____
 Width (mm): 36 _____
 Width (in): 1 ⁷/₁₆ _____
 Height (mm): 60 _____
 Height (in): 2 ³/₈ _____
 Weight (kg): 2.016 _____
 Weight (lbs): 4.44 _____
 Fixture Material: PMMA / Aluminum _____

ELECTRICAL

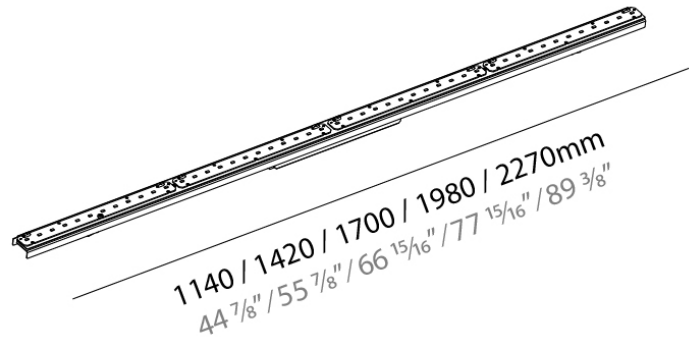
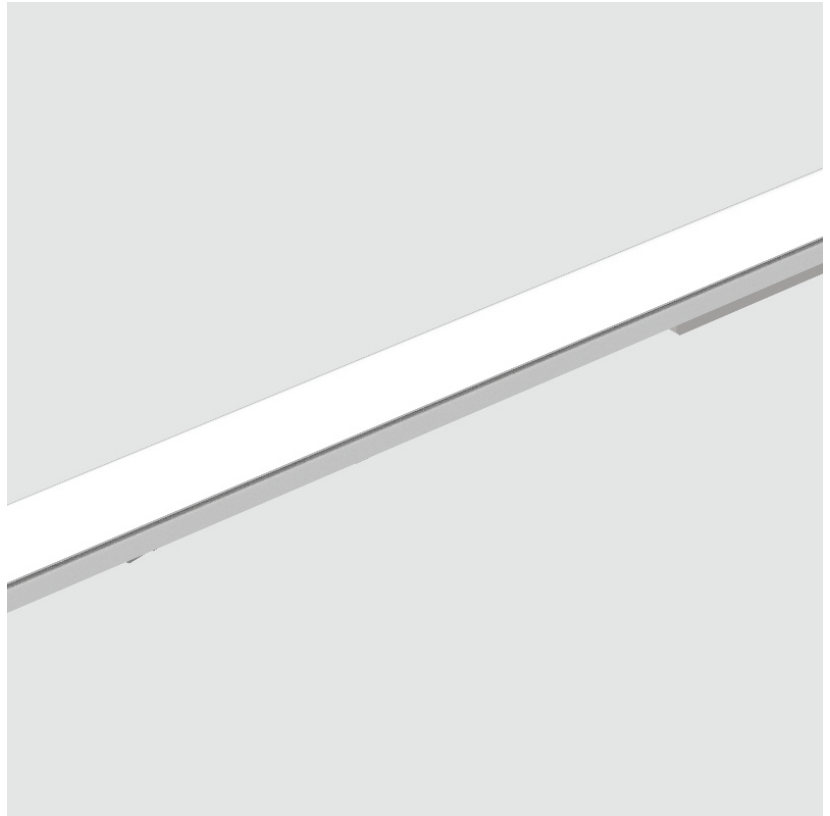
Input Wattage Range: 30 - 49 W _____
 Lamp Type: LED (Zhaga Standard) _____
 Input Wattage (W): 31.5 _____
 Total Output Wattage (W): 28 / 22.4 (3500K) _____
 Dimming: Non-Dimming / Phase Dimming (120Vac only) / 0-10V
 Dimming _____
 Driver Included: Yes _____
 Driver Location: Integrated _____
 Driver Type: Constant Current - 120 / 277Vac _____
 Driver Class: Class 2 _____
 Input Voltage (V): 120 - 277 _____
 Constant Current (mA): 350 / 700 (3500K) _____

LED

Color Temperature (°K): 3000 / 3500 / 4000 _____
 Max. Delivered Lumen (lm): 3870 / 4008 / 4090 _____
 Nominal Lumen (lm): 4970 / 5145 / 5250 _____
 CRI: >80 CRI _____
 Lamp Life (hrs): 50000 _____

RATINGS AND CERTIFICATIONS

Certified By: Certified for North American Standards _____
 IP rating: IP20 _____



PROJECT
TYPE
NOTES
QUANTITY
DATE

A3FI-SUR-SYS COMPONENTS

A38995-

DESCRIPTION

Bunga / Fino System - Insert - 2270mm / 89 3/8" - 36W / 25.6W [O/P] (3500K) LED (Zhaga Standard) - 3000K / 3500K / 4000K - CRI >80

GENERAL

Series: Bunga
 Partner: Prolight
 Division: Architectural

PHYSICAL

Shape: Rectangle
 Length (mm): 2270
 Length (in): 89 3/8
 Width (mm): 36
 Width (in): 1 7/16
 Height (mm): 60
 Height (in): 2 3/8
 Weight (kg): 2.305
 Weight (lbs): 5.08
 Fixture Material: PMMA / Aluminum

ELECTRICAL

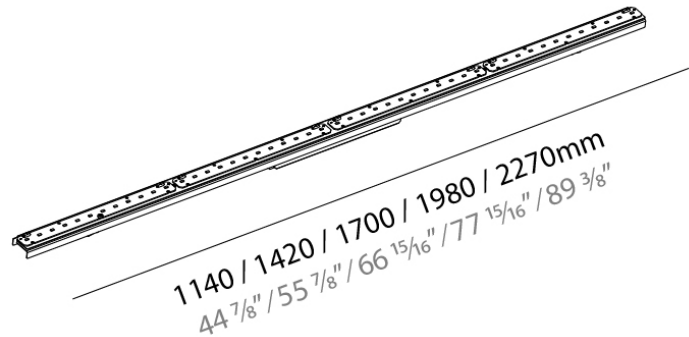
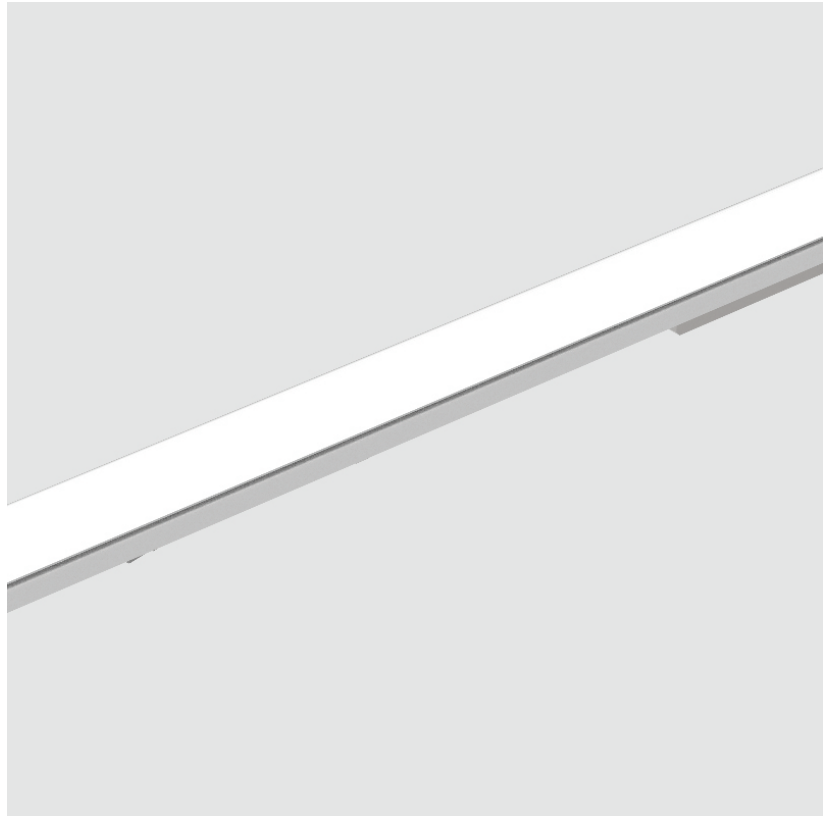
Input Wattage Range: 30 - 49 W
 Lamp Type: LED (Zhaga Standard)
 Input Wattage (W): 36
 Total Output Wattage (W): 32 / 25.6 (3500K)
 Dimming: Non-Dimming / Phase Dimming (120Vac only) / 0-10V Dimming
 Driver Included: Yes
 Driver Location: Integrated
 Driver Type: Constant Current - 120 / 277Vac
 Driver Class: Class 2
 Input Voltage (V): 120 - 277
 Constant Current (mA): 350 / 400 (3500K)

LED

Delivered Lumen Range: 3000 - 4999 lm
 Color Temperature (°K): 3000 / 3500 / 4000
 Max. Delivered Lumen (lm): 4420 / 4577 / 4670
 Nominal Lumen (lm): 5680 / 5880 / 6000
 CRI: >80 CRI
 Lamp Life (hrs): 50000

RATINGS AND CERTIFICATIONS

Certified By: Certified for North American Standards
 IP rating: IP20



PROJECT	_____
TYPE	_____
NOTES	_____
QUANTITY	_____
DATE	_____

A3FI-SUR-SYS COMPONENTS

A3982600

DESCRIPTION

Fino System - Surface/Suspension Opal Diffuser Per Meter - Max 3000mm / 118 1/8"

GENERAL

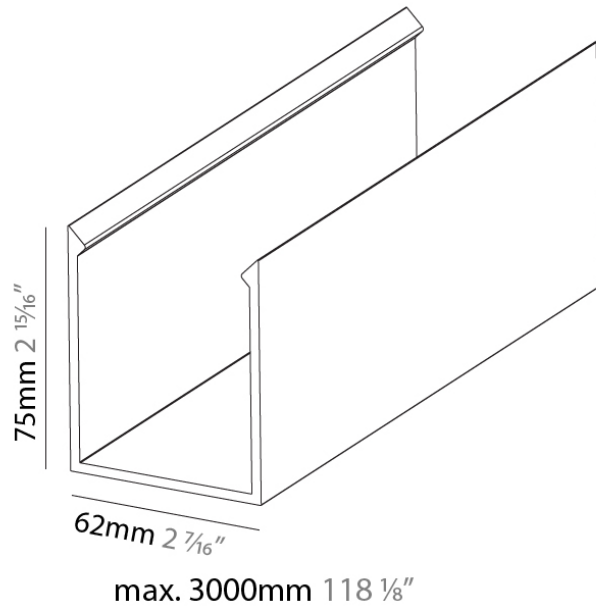
Series: Fino _____
 Partner: Prolight _____
 Division: Architectural _____
 Mounting Location: Ceiling _____

PHYSICAL

Shape: Rectangle _____
 Length (mm): 1000 _____
 Length (in): 39 3/8 _____
 Width (mm): 62 _____
 Width (in): 2 7/16 _____
 Height (mm): 75 _____
 Height (in): 2 15/16 _____
 Weight (kg): 0.75 _____
 Weight (lbs): 1.65 _____
 Diffuser: PMMA - Opal _____
 Fixture Material: Aluminum _____

RATINGS AND CERTIFICATIONS

Certified By: Certified for North American Standards _____
 IP rating: IP20 _____



A3FI-SUR-SYS COMPONENTS

PROJECT	
TYPE	
NOTES	
QUANTITY	
DATE	

A39827-

DESCRIPTION

Fino System - Surface/Suspension End Cap (Colored)

GENERAL

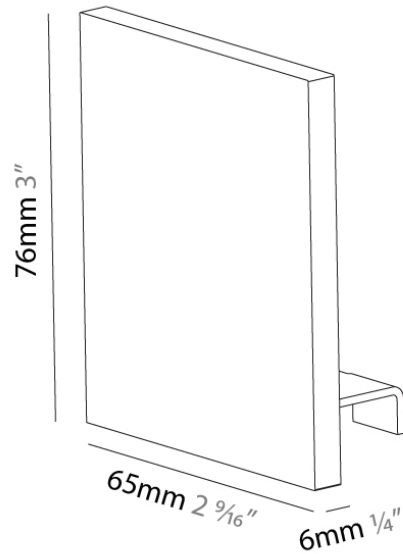
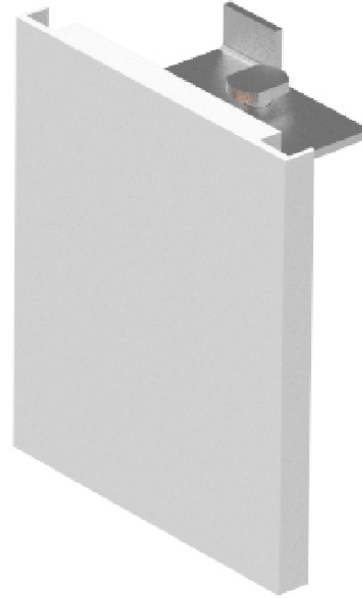
Series: Fino
 Partner: Prolicht
 Division: Architectural

PHYSICAL

Shape: Rectangle
 Length (mm): 65
 Length (in): 2 ⁷/₁₆
 Width (mm): 6
 Width (in): 1/4
 Height (mm): 76
 Height (in): 3
 Weight (kg): 0.112
 Load Resistance (lbs): 0.25
 Fixture Finish: SSR / BKV / CWI / CRY / HAB / UFT / ITA / RUA / FTG / MYG / LOD / PUS / FRO / FUP / KIA / POP / BLS / SPG / MEY / GOH / CHC / COM / ABZ / JAG / OBR / MOS / ROR
 Fixture Material: Aluminum

RATINGS AND CERTIFICATIONS

Certified By: Certified for North American Standards
 IP rating: IP20



A3FI-SUR-SYS COMPONENTS

PROJECT	_____
TYPE	_____
NOTES	_____
QUANTITY	_____
DATE	_____

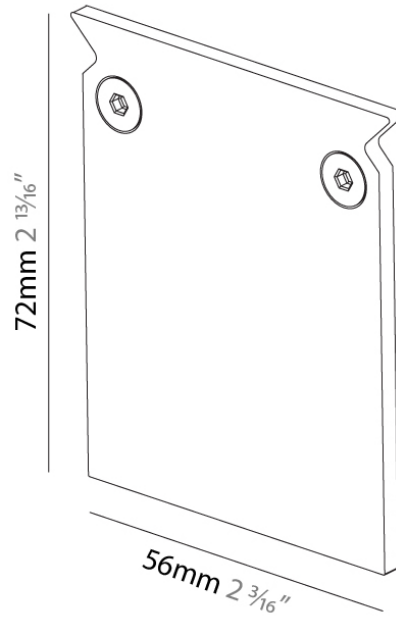
A3982800

DESCRIPTION
Fino System - Surface / Suspension End Cap (Opal)

GENERAL
Series: Fino
Partner: Prolicht
Division: Architectural

PHYSICAL
Shape: Rectangle
Length (mm): 56
Length (in): $2 \frac{3}{16}$
Width (mm): 3
Width (in): $\frac{1}{8}$
Height (mm): 72
Height (in): $2 \frac{13}{16}$
Weight (kg): 0.03
Weight (lbs): 0.66
Fixture Material: Aluminum

RATINGS AND CERTIFICATIONS
Certified By: Certified for North American Standards
IP rating: IP20



A3FI-SUR-SYS COMPONENTS

PROJECT	_____
TYPE	_____
NOTES	_____
QUANTITY	_____
DATE	_____

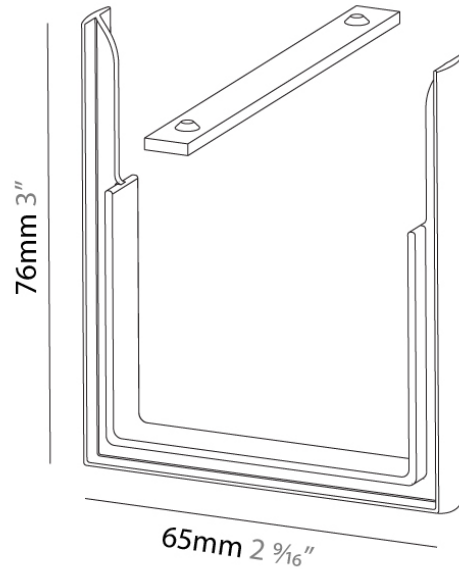
A3982900

DESCRIPTION
Fino System - Surface / Suspension Linear Coupler

GENERAL
Series: Fino
Partner: Prolicht
Division: Architectural

PHYSICAL
Shape: Rectangle
Length (mm): 65
Length (in): 2 ⁹/₁₆
Width (mm): 10
Width (in): 3/8
Height (mm): 76
Height (in): 3
Weight (kg): 0.017
Weight (lbs): 0.37
Fixture Material: Aluminum

RATINGS AND CERTIFICATIONS
Certified By: Certified for North American Standards
IP rating: IP20



PROJECT	
TYPE	
NOTES	
QUANTITY	
DATE	

A3FI-SUR-SYS COMPONENTS SURFACE

A39831-

DESCRIPTION

Bunga - Surface - End Cap

GENERAL

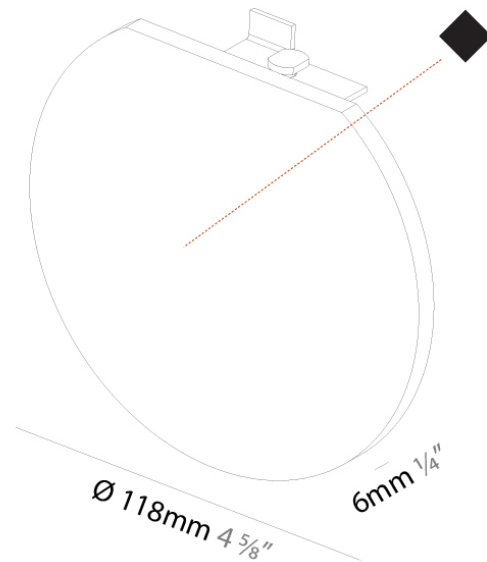
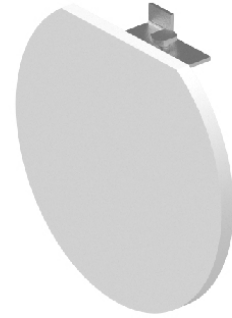
Series: Bunga
 Partner: Prolight
 Division: Architectural
 Installation: Surface
 Product Type: Linear Profiles
 Mounting Location: Ceiling

PHYSICAL

Shape: Round
 Length (mm): 118
 Length (in): 4 ⁵/₈
 Width (mm): 6
 Width (in): 1/4
 Height (mm): 108
 Height (in): 4 ¹/₄
 Weight (kg): 0.2
 Weight (lbs): 0.44
 Fixture Finish: SSR / BKV / CWI / CRY / HAB / UFT / ITA / RUA / FTG / MYG / LOD / PUS / FRO / FUP / KIA / POP / BLS / SPG / MEY / GOH / CHC / COM / ABZ / JAG / OBR / MOS / ROR
 Fixture Material: Aluminum

RATINGS AND CERTIFICATIONS

Certified By: Certified for North American Standards
 IP rating: IP20



LEGEND

	floor-mounted		pivotal		special LED (upon request) RGB, RGBW, tunable, gold+, meat+, art+, fashion+
	wall and ceiling: recessed and surface mounted		rotating		warm dim / natural dimming LED
	ceiling-mounted and wall-mounted		illuminate tilted		rechargeable battery powered
	wall-mounted		color of suspension cable		fixture with natural vivid LED (upon request)
	omni-directional light distribution		length of suspension cable		color rendering index
	direct light distribution		reflector degree selection		color temperature
	direct/indirect light distribution		super spot		lumen (luminous flux)
	indirect light distribution		lens		efficacy (lumens per watt)
	asymmetric light distribution		lens pack		Unified Glare Rating (UGR) range from 5-40
	aura light distribution		shine ring		marine grade (AISI 316 stainless steel)
	round wall or ceiling cut-out		integrated shine ring with diffuser		walk on
	square wall or ceiling cut-out		free individual colors 01-29		drive on
	the supplied jig specifies the cutout dimensions		individual colors: 00 (free of charge), 01-25 (extra charge)		Dark Sky Compliance
	minimum distance (meters) lamp - object		luminaire part to be colored (F1)		Americans with Disabilities Act (less than 4" off the wall located between 27"-84" from floor)
	recessed depth		luminaire part to be colored (F2)		lamp protected against explosion
	ceiling thickness in mm		luminaire part to be colored (F3)		blown glass using traditional methods by master glass blower
	ceiling thickness selection		luminaire part to be colored (F4)		acoustic material
	dimnable DP (phase), DV (0-10V), DD (dali), DS (step-dim)		luminaire part to be colored (F5)		protection class I, protection insulation
	included or excluded LED driver/transformer/control gear		color of 3-circuit adaptor		protection class II, protection insulation
	separately switchable		indirect diffuser		ETL Certified to UL and CSA Standards
	sensor		direct diffuser		UL Certified to UL and CSA Standards
	remote control		ball-proof (upon request)		CSA Certified to UL and CSA Standards
	available upon request		accessory		Certified for North American Standards

IP RATING

	protected against ingress of solid bodies greater than 12.5mm (finger)
	protected against ingress of solid bodies greater than 2.5mm protected against sprays of water up to 60 degrees from the vertical (rain)
	protected against ingress of solid bodies greater than 1mm (wire) no protection against the ingress of moisture
	protected against ingress of solid bodies greater than 1mm (wire) protected against sprays of water up to 60 degrees from the vertical (rain)
	protected against ingress of solid bodies greater than 1mm (wire) protected against water splashed from all directions
	protected against limited ingress of dust (wet rooms/covered outdoor areas) protected against water splashed from all directions
	protected against ingress of dust protected against jets of water
	protected against ingress of dust protected against powerful jets of water or heavy seas
	protected against ingress of dust protected against immersion of water between 15cm - 1m for 30 minutes
	protected against ingress of dust protected against immersion of water under pressure for long periods

IK RATING

	protected against 0.14 joules impact (equivalent to 0.25kg mass dropped from 56mm above the surface)
	protected against 0.2 joules impact (equivalent to 0.25kg mass dropped from 80mm above the surface)
	protected against 0.35 joules impact (equivalent to 0.25kg mass dropped from 140mm above the surface)
	protected against 0.5 joules impact (equivalent to 0.25kg mass dropped from 200mm above the surface)
	protected against 0.7 joules impact (equivalent to 0.25kg mass dropped from 280mm above the surface)
	protected against 1 joules impact (equivalent to 0.25kg mass dropped from 400mm above the surface)
	protected against 2 joules impact (equivalent to 0.5kg mass dropped from 400mm above the surface)
	protected against 5 joules impact (equivalent to 1.7kg mass dropped from 300mm above the surface)
	protected against 10 joules impact (equivalent to 5.0kg mass dropped from 200mm above the surface)
	protected against 20 joules impact (equivalent to 5.0kg mass dropped from 400mm above the surface)