

PROJECT	_____
TYPE	_____
NOTES	_____
QUANTITY	_____
DATE	_____

## A3G50-SUR-SYS COMPONENTS

### A380041-

**DESCRIPTION**  
 Hangover Plug Shine - Track Head - 28mm / 1 1/8" x 300mm / 11 13/16" - 6.4W LED (Zhaga Standard) - 2700K / 3000K / 4000K - Lens 24°/32°/ 58°

**GENERAL**

Series: Hangover  
 Subseries: Hangover Plug Standard (Track Insert)  
 Brand: Prolight  
 Division: Architectural

**PHYSICAL**

Shape: Cylinder  
 Diameter (mm): 28  
 Diameter (in): 1 1/8  
 Height (mm): 300  
 Height (in): 11 13/16  
 Light Distribution: Downlight  
 Weight (kg): 0.451  
 Weight (lbs): 0.99  
 Diffuser: Shine Ring 1-6  
 Fixture Finish: SSR / BKV / CWI / CRY / HAB / UFT / ITA / RUA / FTG / MYG / LOD / PUS / FRO / FUP / KIA / POP / BLS / SPG / MEY / GOH / GUM / CHC / COM / ABZ / JAG / OBR / MOS / ROR  
 Fixture Material: Aluminum  
 Cable Details: 2,000mm or 4,000mm Cable - Black

**ELECTRICAL**

Input Wattage Range: 1 - 9 W  
 Lamp Type: LED (Zhaga Standard)  
 Input Wattage (W): 6.4  
 Total Output Wattage (W): 5.8  
 Dimming: 0-10V Dimming  
 Driver Included: No  
 Driver Location: External  
 Input Voltage (V): 120

**LED**

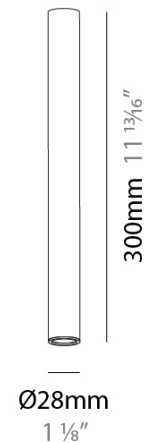
Delivered Lumen Range: 100 - 499 lm  
 Number of LEDs: 1  
 Color Temperature (°K): 2700 / 3000 / 4000  
 Max. Delivered Lumen (lm): 328 / 363 / 386  
 Nominal Lumen (lm): 448 / 483 / 514  
 CRI: >90 CRI  
 Upon Request: Special Color Temperature

**OPTICAL**

Optic°: 24 / 32 / 58  
 Upon Request: Special Beam Angles

**RATINGS AND CERTIFICATIONS**

Certified By: Certified for North American Standards  
 IP rating: IP20



PROJECT	_____
TYPE	_____
NOTES	_____
QUANTITY	_____
DATE	_____

## A3G50-SUR-SYS COMPONENTS

### A380042-

**DESCRIPTION**  
 Hangover Plug - Track Head - 28mm / 1 1/8" x 450mm / 17 11/16" - 6.4W LED (Zhaga Standard) - 2700K / 3000K / 4000K - Lens 24°/32°/ 58° -

**GENERAL**  
 Series: Hangover  
 Subseries: Hangover Plug Standard (Track Insert)  
 Brand: Prolight  
 Division: Architectural

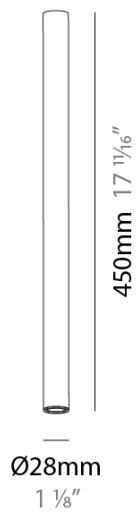
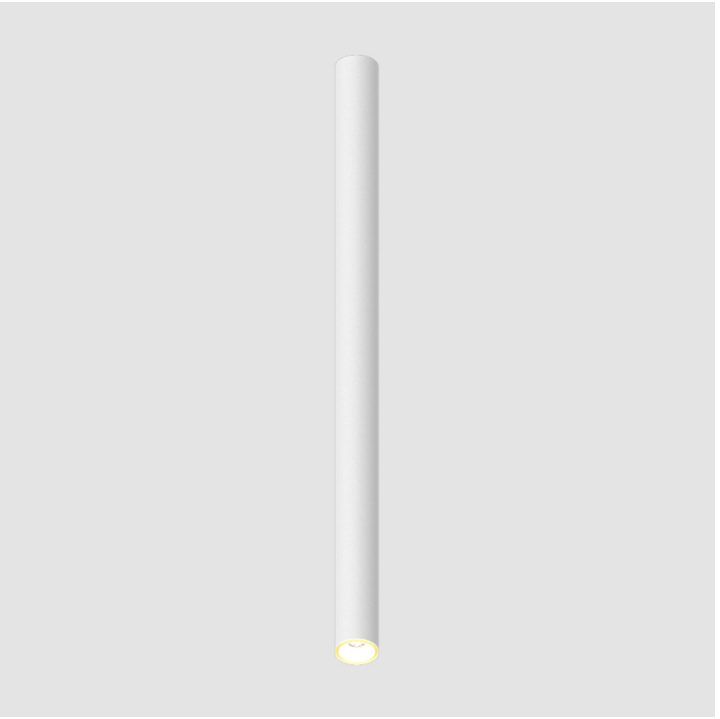
**PHYSICAL**  
 Shape: Cylinder  
 Diameter (mm): 28  
 Diameter (in): 1 1/8  
 Height (mm): 450  
 Height (in): 17 11/16  
 Light Distribution: Downlight  
 Weight (kg): 0.468  
 Weight (lbs): 1.03  
 Diffuser: Shine Ring 1-6  
 Fixture Finish: SSR / BKV / CWI / CRY / HAB / UFT / ITA / RUA / FTG / MYG / LOD / PUS / FRO / FUP / KIA / POP / BLS / SPG / MEY / GOH / GUM / CHC / COM / ABZ / JAG / OBR / MOS / ROR  
 Fixture Material: Aluminum

**ELECTRICAL**  
 Input Wattage Range: 1 - 9 W  
 Lamp Type: LED (Zhaga Standard)  
 Input Wattage (W): 6.4  
 Total Output Wattage (W): 5.8  
 Dimming: 0-10V Dimming  
 Driver Included: No  
 Driver Location: External  
 Input Voltage (V): 120  
 Constant Current (MA): 500

**LED**  
 Delivered Lumen Range: 100 - 499 lm  
 Number of LEDs: 1  
 Color Temperature (°K): 2700 / 3000 / 4000  
 Max. Delivered Lumen (lm): 328 / 363 / 386  
 Nominal Lumen (lm): 448 / 483 / 514  
 CRI: >90 CRI  
 Upon Request: Special Color Temperature

**OPTICAL**  
 Optic°: 24 / 32 / 58  
 Upon Request: Special Beam Angles

**RATINGS AND CERTIFICATIONS**  
 Certified By: Certified for North American Standards  
 IP rating: IP20



## A3G50-SUR-SYS COMPONENTS

### A380043-

#### DESCRIPTION

Hangover Plug Decor - Blank Track Head - 28mm / 1 1/8" x 300mm / 11 13/16" -

#### GENERAL

Series: Hangover  
Subseries: Hangover Plug Standard (Track Insert)  
Brand: Prolicht  
Division: Architectural

#### PHYSICAL

Shape: Cylinder  
Diameter (mm): 28  
Diameter (in): 1 1/8  
Height (mm): 300  
Height (in): 11 13/16  
Weight (kg): 0.32  
Weight (lbs): 0.706  
Fixture Finish: SSR / BKV / CWI / CRY / HAB / UFT / ITA / RUA / FTG / MYG / LOD / PUS / FRO / FUP / KIA / POP / BLS / SPG / MEY / GOH / GUM / CHC / COM / ABZ / JAG / OBR / MOS / ROR  
Fixture Material: Aluminum Die Cast

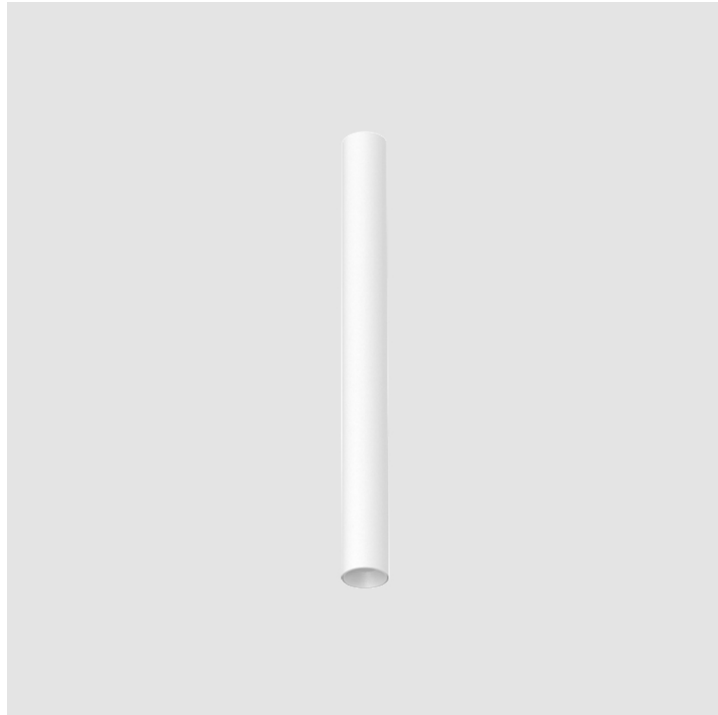
#### ELECTRICAL

Lamp Type: LED (Zhaga Standard)

#### RATINGS AND CERTIFICATIONS

Certified By: Certified for North American Standards  
IP rating: IP20

PROJECT	_____
TYPE	_____
NOTES	_____
QUANTITY	_____
DATE	_____



PROJECT \_\_\_\_\_  
 TYPE \_\_\_\_\_  
 NOTES \_\_\_\_\_  
 QUANTITY \_\_\_\_\_  
 DATE \_\_\_\_\_

## A3G50-SUR-SYS COMPONENTS

### A380044-

**DESCRIPTION**  
 Hangover Plug Decor - Blank Track Head - 28mm / 1 1/8" x 450mm / 17 11/16" -

**GENERAL**

Series: Hangover \_\_\_\_\_  
 Subseries: Hangover Plug Standard (Track Insert) \_\_\_\_\_  
 Brand: Prolicht \_\_\_\_\_  
 Division: Architectural \_\_\_\_\_

**PHYSICAL**

Shape: Cylinder \_\_\_\_\_  
 Diameter (mm): 28 \_\_\_\_\_  
 Diameter (in): 1 1/8 \_\_\_\_\_  
 Height (mm): 450 \_\_\_\_\_  
 Height (in): 17 11/16 \_\_\_\_\_  
 Weight (kg): 0.32 \_\_\_\_\_  
 Weight (lbs): 0.706 \_\_\_\_\_  
 Fixture Finish: SSR / BKV / CWI / CRY / HAB / UFT / ITA / RUA / FTG / MYG / LOD / PUS / FRO / FUP / KIA / POP / BLS / SPG / MEY / GOH / GUM / CHC / COM / ABZ / JAG / OBR / MOS / ROR \_\_\_\_\_  
 Fixture Material: Aluminum Die Cast \_\_\_\_\_

**ELECTRICAL**

Lamp Type: LED (Zhaga Standard) \_\_\_\_\_

**RATINGS AND CERTIFICATIONS**

Certified By: Certified for North American Standards \_\_\_\_\_  
 IP rating: IP20 \_\_\_\_\_



## A3G50-SUR-SYS COMPONENTS

PROJECT \_\_\_\_\_  
TYPE \_\_\_\_\_  
NOTES \_\_\_\_\_  
QUANTITY \_\_\_\_\_  
DATE \_\_\_\_\_

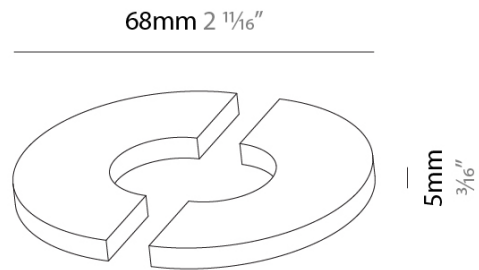
### A380106-

**DESCRIPTION**  
Hangover 75 - Indirect Diffuser

**GENERAL**  
Series: Hangover \_\_\_\_\_  
Subseries: Hangover 75 \_\_\_\_\_  
Brand: Prolicht \_\_\_\_\_  
Division: Architectural \_\_\_\_\_

**PHYSICAL**  
Shape: Round \_\_\_\_\_  
Diameter (mm): 70 \_\_\_\_\_  
Diameter (in): 2 7/8 \_\_\_\_\_  
Fixture Finish: RED / ORG / YEL / GRN / BLU \_\_\_\_\_  
Fixture Material: Acrylic \_\_\_\_\_

**RATINGS AND CERTIFICATIONS**  
Certified By: Certified for North American Standards \_\_\_\_\_  
IP rating: IP20 \_\_\_\_\_



PROJECT	_____
TYPE	_____
NOTES	_____
QUANTITY	_____
DATE	_____

## A3G50-SUR-SYS COMPONENTS SURFACE

### A380107-

**DESCRIPTION**  
 Hangover Plug 40 - 150mm / 5 7/8" - 10.9W LED (Zhaga Standard) - 2700K / 3000K / 4000K - Dimmable - Reflector 40° / 50°

**GENERAL**  
 Series: Hangover  
 Subseries: Hangover Plug 40  
 Brand: Prolicht  
 Division: Architectural  
 Mounting Type: Surface  
 Mounting Location: Ceiling  
 Subcategory: Downlight

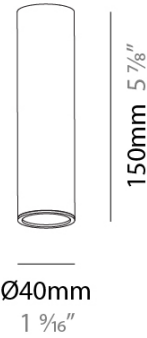
**PHYSICAL**  
 Shape: Cylinder  
 Diameter (mm): 40  
 Diameter (in): 1 9/16  
 Height (mm): 150  
 Height (in): 5 7/8  
 Light Distribution: Downlight  
 Weight (kg): 0.452  
 Weight (lbs): 9.96  
 Diffuser: Shine Ring 1-6  
 Fixture Finish: SSR / BKV / CWI / CRY / HAB / UFT / ITA / RUA / FTG / MYG / LOD / PUS / FRO / FUP / KIA / POP / BLS / SPG / MEY / GOH / GUM / CHC / COM / ABZ / JAG / OBR / MOS / ROR  
 Fixture Material: Aluminum

**ELECTRICAL**  
 Input Wattage Range: 10 - 19 W  
 Lamp Type: LED (Zhaga Standard)  
 Input Wattage (W): 10.9  
 Total Output Wattage (W): 10  
 Dimming: 0-10V Dimming  
 Driver Included: No  
 Input Voltage (V): 48

**LED**  
 Delivered Lumen Range: 500 - 999 lm  
 Color Temperature (°K): 2700 / 3000 / 4000  
 Max. Delivered Lumen (lm): 788 / 829 / 840  
 Nominal Lumen (lm): 1016 / 1068 / 1082  
 CRI: >90 CRI  
 Lamp Life (hrs): 50000

**OPTICAL**  
 Reflector°: 40 / 50

**RATINGS AND CERTIFICATIONS**  
 Certified By: Certified for North American Standards  
 IP rating: IP20



## A3G50-SUR-SYS COMPONENTS SURFACE

### A380108-

**DESCRIPTION**  
 Hangover Plug 40 - Track Head - 300mm / 11 13/16" - 10W LED  
 (Zhaga Standard) - 2700K / 3000K / 4000K - Dimmable - Reflector  
 - 40°/50°

**GENERAL**

Series: Hangover  
 Subseries: Hangover Plug 40  
 Brand: Prolicht  
 Division: Architectural  
 Mounting Type: Surface  
 Mounting Location: Ceiling  
 Subcategory: Downlight

**PHYSICAL**

Shape: Cylinder  
 Diameter (mm): 40  
 Diameter (in): 1 9/16  
 Height (mm): 300  
 Height (in): 11 13/16  
 Light Distribution: Downlight  
 Weight (kg): 0.463  
 Weight (lbs): 1.02  
 Diffuser: Shine Ring 1-6  
 Fixture Finish: SSR / BKV / CWI / CRY / HAB / UFT / ITA / RUA / FTG /  
 MYG / LOD / PUS / FRO / FUP / KIA / POP / BLS / SPG / MEY / GOH /  
 GUM / CHC / COM / ABZ / JAG / OBR / MOS / ROR  
 Fixture Material: Aluminum

**ELECTRICAL**

Input Wattage Range: 10 - 19 W  
 Lamp Type: LED (Zhaga Standard)  
 Input Wattage (W): 10.9  
 Total Output Wattage (W): 10  
 Dimming: 0-10V Dimming  
 Driver Included: No  
 Input Voltage (V): 48

**LED**

Delivered Lumen Range: 500 - 999 lm  
 Color Temperature (°K): 2700 / 3000 / 4000  
 Max. Delivered Lumen (lm): 788 / 829 / 840  
 Nominal Lumen (lm): 1016 / 1068 / 1082  
 CRI: >90 CRI  
 Lamp Life (hrs): 50000

**OPTICAL**

Reflector°: 40 / 50

**RATINGS AND CERTIFICATIONS**

Certified By: Certified for North American Standards  
 IP rating: IP20



PROJECT	_____
TYPE	_____
NOTES	_____
QUANTITY	_____
DATE	_____

## A3G50-SUR-SYS COMPONENTS SURFACE

### A380111-

**DESCRIPTION**  
 Hangover Plug 75 - Track Head -150mm / 5 7/8" - 6.6W LED  
 (Zhaga Standard) - 2700K / 3000K / 4000K - Dimmable - Lens 9° /  
 24° / 39°

**GENERAL**  
 Series: Hangover  
 Subseries: Hangover Plug 75  
 Brand: Prolicht  
 Division: Architectural  
 Mounting Type: Surface  
 Mounting Location: Ceiling  
 Subcategory: Downlight

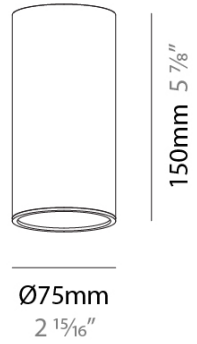
**PHYSICAL**  
 Shape: Cylinder  
 Diameter (mm): 75  
 Diameter (in): 2 15/16  
 Height (mm): 150  
 Height (in): 5 7/8  
 Light Distribution: Downlight  
 Weight (kg): 0.532  
 Weight (lbs): 1.17  
 Diffuser: Shine Ring 1-6  
 Fixture Finish: SSR / BKV / CWI / CRY / HAB / UFT / ITA / RUA / FTG /  
 MYG / LOD / PUS / FRO / FUP / KIA / POP / BLS / SPG / MEY / GOH /  
 GUM / CHC / COM / ABZ / JAG / OBR / MOS / ROR  
 Fixture Material: Aluminum

**ELECTRICAL**  
 Input Wattage Range: 1 - 9 W  
 Lamp Type: LED (Zhaga Standard)  
 Input Wattage (W): 6.6  
 Total Output Wattage (W): 6  
 Dimming: 0-10V Dimming  
 Driver Included: No  
 Input Voltage (V): 48

**LED**  
 Delivered Lumen Range: 100 - 499 lm  
 Color Temperature (°K): 2700 / 3000 / 4000  
 Max. Delivered Lumen (lm): 385 / 408 / 442  
 Nominal Lumen (lm): 455.22 / 482 / 522.17  
 CRI: >90 CRI  
 Lamp Life (hrs): 50000

**OPTICAL**  
 Optic°: 9 / 24 / 39

**RATINGS AND CERTIFICATIONS**  
 Certified By: Certified for North American Standards  
 IP rating: IP20





PROJECT \_\_\_\_\_  
 TYPE \_\_\_\_\_  
 NOTES \_\_\_\_\_  
 QUANTITY \_\_\_\_\_  
 DATE \_\_\_\_\_

## A3G50-SUR-SYS COMPONENTS

### A380364-

**DESCRIPTION**  
 Hangover Plug - Insert for Hypro 40 Recessed Ø28mm / 1 1/8" x 150mm / 5 7/8" - LED 6W Max. - 2700K / 3000K / 3500K / 4000K - CRI90 - Non-Dimming - Shine Ring, Optic: 22° / 33° / 66°

**GENERAL**  
 Series: Hangover \_\_\_\_\_  
 Brand: Prolicht \_\_\_\_\_  
 Division: Architectural \_\_\_\_\_

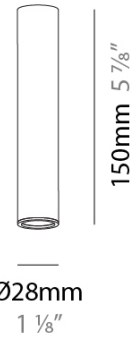
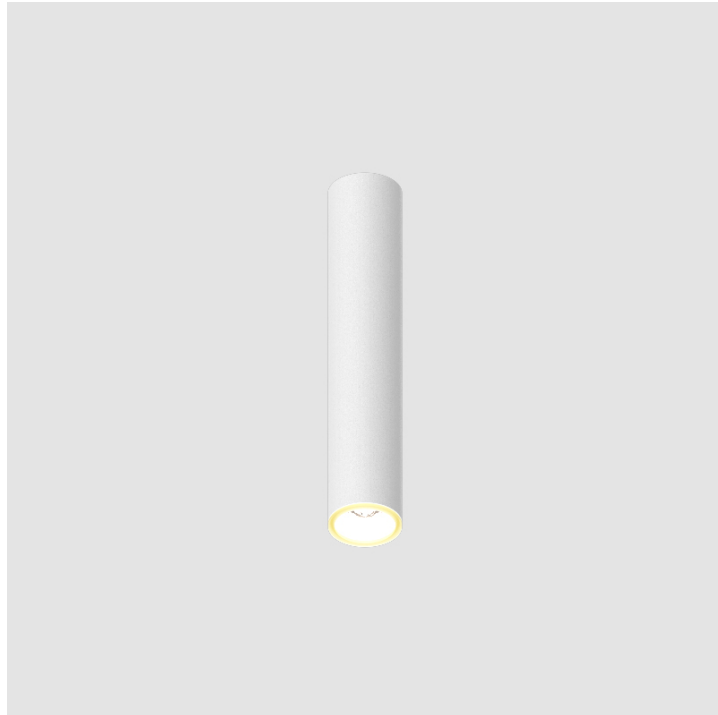
**PHYSICAL**  
 Shape: Cylinder \_\_\_\_\_  
 Diameter (mm): 28 \_\_\_\_\_  
 Diameter (in): 1 1/8 \_\_\_\_\_  
 Height (mm): 150 \_\_\_\_\_  
 Height (in): 5 7/8 \_\_\_\_\_  
 Light Distribution: Direct \_\_\_\_\_  
 Fixture Finish: SSR / BKV / CWI / CRY / HAB / UFT / ITA / RUA / FTG / MYG / LOD / PUS / FRO / FUP / KIA / POP / BLS / SPG / MEY / GOH / GUM / CHC / COM / ABZ / JAG / OBR / MOS / ROR \_\_\_\_\_  
 Accent Finish: OPL / YEL / ORA / RED / BLU / GRN \_\_\_\_\_  
 Fixture Material: Aluminum \_\_\_\_\_

**ELECTRICAL**  
 Input Wattage Range: 1 - 9 W \_\_\_\_\_  
 Lamp Type: LED (Zhaga Standard) \_\_\_\_\_  
 Input Wattage (W): 6 \_\_\_\_\_  
 Total Output Wattage (W): 5.4 \_\_\_\_\_  
 Dimming: Non-Dimmable / 0-10V Dimming \_\_\_\_\_  
 Driver Included: No \_\_\_\_\_  
 Driver Location: External \_\_\_\_\_  
 Driver Type: Constant Current - 120Vac \_\_\_\_\_  
 Driver Class: Class 2 \_\_\_\_\_  
 Input Voltage (V): 120 \_\_\_\_\_  
 Constant Current (mA): 500 \_\_\_\_\_

**LED**  
 Delivered Lumen Range: 100 - 499 lm \_\_\_\_\_  
 Color Temperature (°K): 2700 / 3000 / 3500 / 4000 \_\_\_\_\_  
 Max. Delivered Lumen (lm): 404 / 427 / 454 / 463 \_\_\_\_\_  
 Nominal Lumen (lm): 461 / 487 / 517 / 528 \_\_\_\_\_  
 CRI: >90 CRI \_\_\_\_\_  
 Lamp Life (hrs): 50000 \_\_\_\_\_

**OPTICAL**  
 Optic°: 22 / 33 / 66 \_\_\_\_\_

**RATINGS AND CERTIFICATIONS**  
 Certified By: Certified for North American Standards \_\_\_\_\_  
 IP rating: IP20 \_\_\_\_\_



PROJECT	_____
TYPE	_____
NOTES	_____
QUANTITY	_____
DATE	_____

## A3G50-SUR-SYS COMPONENTS

### A38818-

**DESCRIPTION**  
Snooker Decor - Track - Blank Globe - \_\_\_\_\_

#### GENERAL

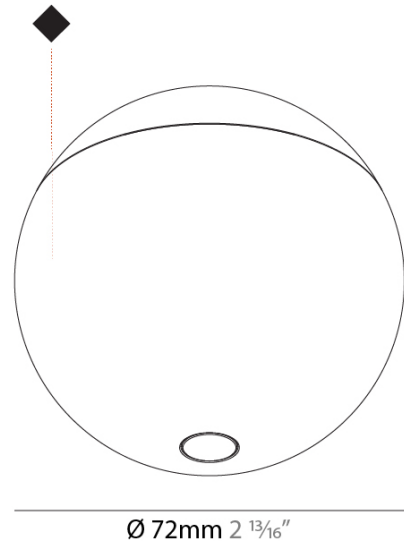
Series: Snooker \_\_\_\_\_  
Brand: Prolicht \_\_\_\_\_  
Division: Architectural \_\_\_\_\_

#### PHYSICAL

Shape: Round \_\_\_\_\_  
Diameter (mm): 72 \_\_\_\_\_  
Diameter (in): 2 <sup>13</sup>/<sub>16</sub> \_\_\_\_\_  
Height (mm): 72 \_\_\_\_\_  
Height (in): 2 <sup>13</sup>/<sub>16</sub> \_\_\_\_\_  
Weight (kg): 0.733 \_\_\_\_\_  
Weight (lbs): 1.62 \_\_\_\_\_  
Fixture Finish: SSR / BKV / CWI / CRY / HAB / UFT / ITA / RUA / FTG / MYG / LOD / PUS / FRO / FUP / KIA / POP / BLS / SPG / MEY / GOH / GUM / CHC / COM / ABZ / JAG / OBR / MOS / ROR \_\_\_\_\_  
Fixture Material: Aluminum Die Cast \_\_\_\_\_

#### RATINGS AND CERTIFICATIONS

Certified By: Certified for North American Standards \_\_\_\_\_  
IP rating: IP20 \_\_\_\_\_



PROJECT	_____
TYPE	_____
NOTES	_____
QUANTITY	_____
DATE	_____

## A3G50-SUR-SYS COMPONENTS

### A38837

**DESCRIPTION**  
G-50 Channel | Gravity Lift - Connector Device

**GENERAL**

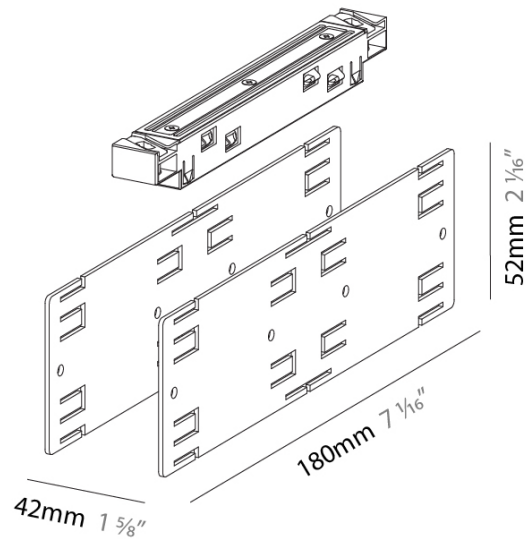
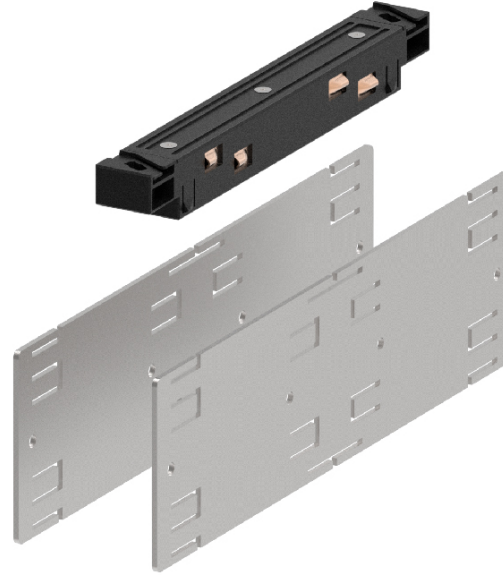
Series: Snooker  
Subseries: Snooker G-50 Channel for Gravity Lift  
Brand: Prolicht  
Division: Architectural  
Subcategory: Profile

**PHYSICAL**

Shape: Rectangle  
Length (mm): 180  
Length (in): 7 1/16  
Width (mm): 42  
Width (in): 1 5/8  
Height (mm): 52  
Height (in): 2 1/16  
Weight (kg): 0.135  
Weight (lbs): 0.3  
Fixture Finish: SSR / BKV / CWI / CRY / HAB / UFT / ITA / RUA / FTG / MYG / LOD / PUS / FRO / FUP / KIA / POP / BLS / SPG / MEY / GOH / GUM / CHC / COM / ABZ / JAG / OBR / MOS / ROR  
Fixture Material: Plastic

**RATINGS AND CERTIFICATIONS**

Certified By: Certified for North American Standards  
IP rating: IP20



PROJECT \_\_\_\_\_  
 TYPE \_\_\_\_\_  
 NOTES \_\_\_\_\_  
 QUANTITY \_\_\_\_\_  
 DATE \_\_\_\_\_

## A3G50-SUR-SYS COMPONENTS

### A38838-

**DESCRIPTION**  
 G-50 Channel | Gravity Lift - Supplier Unit 150W Track 48V

**GENERAL**

Series: Snooker  
 Subseries: Snooker G-50 Channel for Gravity Lift  
 Brand: Prolicht  
 Division: Architectural

**PHYSICAL**

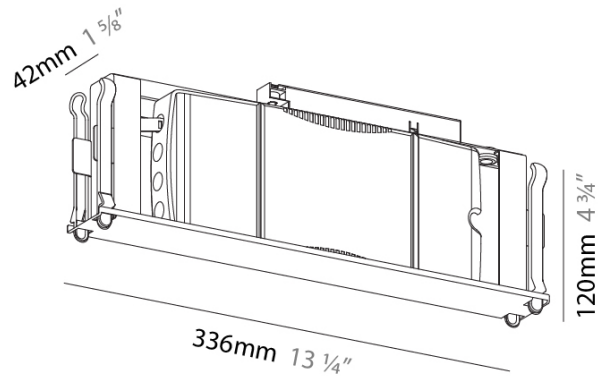
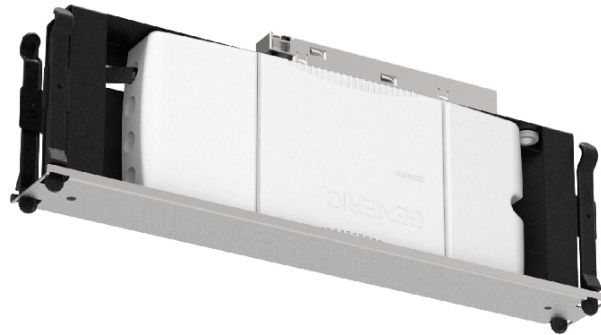
Shape: Rectangle  
 Length (mm): 336  
 Length (in): 13 3/4  
 Width (mm): 42  
 Width (in): 1 5/8  
 Height (mm): 120  
 Height (in): 4 3/4  
 Weight (kg): 1.325  
 Weight (lbs): 2 15/16  
 Fixture Finish: SSR / BKV / CWI / CRY / HAB / UFT / ITA / RUA / FTG / MYG / LOD / PUS / FRO / FUP / KIA / POP / BLS / SPG / MEY / GOH / GUM / CHC / COM / ABZ / JAG / OBR / MOS / ROR  
 Fixture Material: Plastic

**ELECTRICAL**

Total Output Wattage (W): 96  
 Input Voltage (V): 48

**RATINGS AND CERTIFICATIONS**

Certified By: Certified for North American Standards  
 IP rating: IP20



PROJECT \_\_\_\_\_  
 TYPE \_\_\_\_\_  
 NOTES \_\_\_\_\_  
 QUANTITY \_\_\_\_\_  
 DATE \_\_\_\_\_

## A3G50-SUR-SYS COMPONENTS

### A38839-

**DESCRIPTION**  
 G-50 Channel | Gravity Lift - Power Supply Unit c/w Remote 96W,  
 0-10V Dimming Driver + Bridge - for 48Vdc Track - Trimless

**GENERAL**

Series: Snooker  
 Subseries: Snooker G-50 Channel for Gravity Lift  
 Brand: Prolicht  
 Division: Architectural

**PHYSICAL**

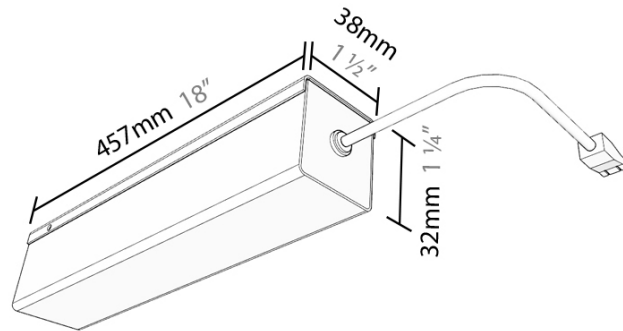
Shape: Rectangle  
 Length (mm): 336  
 Length (in): 13 1/4  
 Width (mm): 42  
 Width (in): 1 5/8  
 Height (mm): 120  
 Height (in): 4 3/4  
 Weight (kg): 1.325  
 Weight (lbs): 2 15/16  
 Fixture Finish: SSR / BKV / CWI / CRY / HAB / UFT / ITA / RUA / FTG /  
 MYG / LOD / PUS / FRO / FUP / KIA / POP / BLS / SPG / MEY / GOH /  
 GUM / CHC / COM / ABZ / JAG / OBR / MOS / ROR  
 Fixture Material: Aluminum

**ELECTRICAL**

Input Wattage Range: 100 - 149 W  
 Lamp Type: LED  
 Input Wattage (W): 100  
 Total Output Wattage (W): 96  
 Dimming: Non-Dimmable / 0-10V Dimming  
 Driver Included: Yes  
 Driver Location: Integrated  
 Driver Type: Constant Voltage - 120-277Vac  
 Driver Class: Class 2  
 Input Voltage (V): Universal  
 Output Voltage (V): 48

**RATINGS AND CERTIFICATIONS**

Certified By: Certified for North American Standards  
 IP rating: IP20



PROJECT	_____
TYPE	_____
NOTES	_____
QUANTITY	_____
DATE	_____

## A3G50-SUR-SYS COMPONENTS

### A38840-

**DESCRIPTION**  
 G-50 Channel | Gravity Lift - Gravity Lift 48V 500mA (non-dimming)

**GENERAL**

Series: Snooker  
 Subseries: Snooker G-50 Channel for Gravity Lift  
 Brand: Prolicht  
 Division: Architectural

**PHYSICAL**

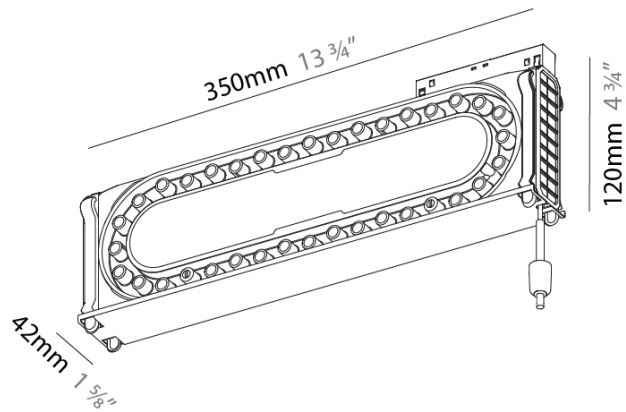
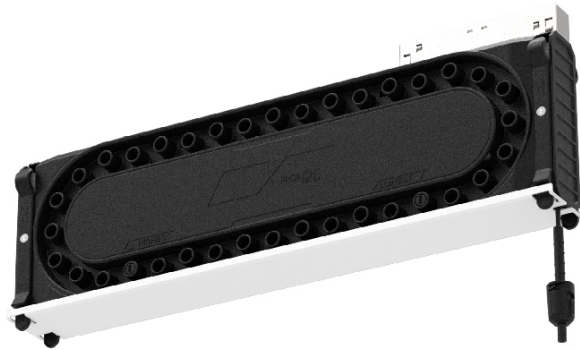
Shape: Rectangle  
 Length (mm): 350  
 Length (in): 13 3/4  
 Width (mm): 42  
 Width (in): 1 5/8  
 Height (mm): 120  
 Height (in): 4 3/4  
 Weight (kg): 0.587  
 Weight (lbs): 1.29  
 Fixture Finish: SSR / BKV / CWI / CRY / HAB / UFT / ITA / RUA / FTG / MYG / LOD / PUS / FRO / FUP / KIA / POP / BLS / SPG / MEY / GOH / GUM / CHC / COM / ABZ / JAG / OBR / MOS / ROR  
 Fixture Material: Aluminum

**ELECTRICAL**

Dimming: Non-Dimmable

**RATINGS AND CERTIFICATIONS**

Certified By: Certified for North American Standards  
 IP rating: IP20



PROJECT \_\_\_\_\_  
 TYPE \_\_\_\_\_  
 NOTES \_\_\_\_\_  
 QUANTITY \_\_\_\_\_  
 DATE \_\_\_\_\_

## A3G50-SUR-SYS COMPONENTS

### A38841-

**DESCRIPTION**  
 G-50 Channel | Gravity Lift - Gravity Lift 48V 500mA (0-10V Dimmable)

**GENERAL**

Series: Snooker  
 Subseries: Snooker G-50 Channel for Gravity Lift  
 Brand: Prolicht  
 Division: Architectural

**PHYSICAL**

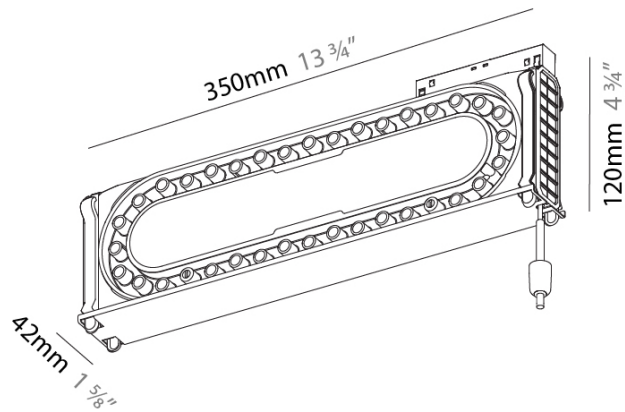
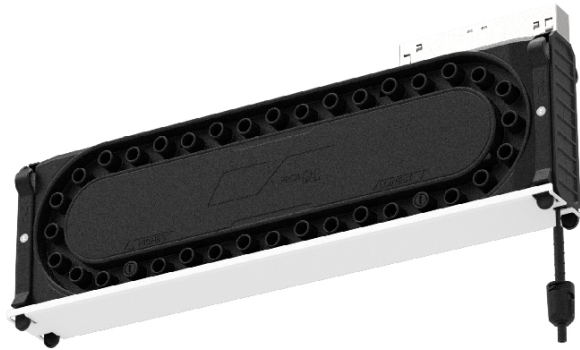
Shape: Rectangle  
 Length (mm): 350  
 Length (in): 13 3/4  
 Width (mm): 42  
 Width (in): 1 5/8  
 Height (mm): 120  
 Height (in): 4 3/4  
 Weight (kg): 0.601  
 Weight (lbs): 1.32  
 Fixture Finish: SSR / BKV / CWI / CRY / HAB / UFT / ITA / RUA / FTG / MYG / LOD / PUS / FRO / FUP / KIA / POP / BLS / SPG / MEY / GOH / GUM / CHC / COM / ABZ / JAG / OBR / MOS / ROR  
 Fixture Material: Aluminum

**ELECTRICAL**

Dimming: 0-10V Dimming

**RATINGS AND CERTIFICATIONS**

Certified By: Certified for North American Standards  
 IP rating: IP20



PROJECT \_\_\_\_\_  
 TYPE \_\_\_\_\_  
 NOTES \_\_\_\_\_  
 QUANTITY \_\_\_\_\_  
 DATE \_\_\_\_\_

## A3G50-SUR-SYS COMPONENTS

### A38842-

**DESCRIPTION**  
 G-50 Channel | Gravity Lift - Mechanical Gravity Lift for G-50

**GENERAL**

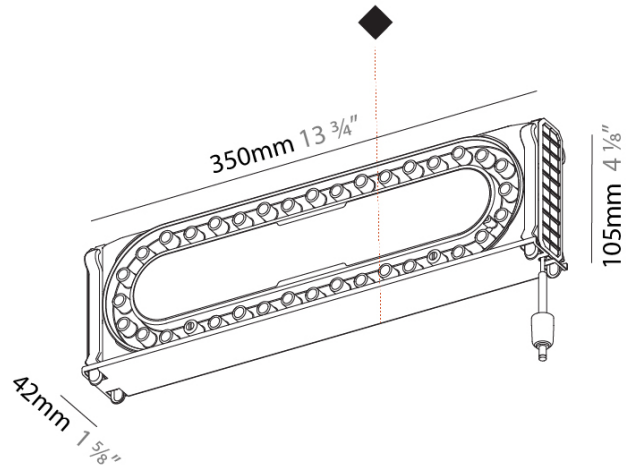
Series: Snooker  
 Subseries: Snooker G-50 Channel for Gravity Lift  
 Brand: Prolicht  
 Division: Architectural

**PHYSICAL**

Shape: Rectangle  
 Length (mm): 350  
 Length (in): 13 3/4  
 Width (mm): 42  
 Width (in): 1 5/8  
 Height (mm): 105  
 Height (in): 4 1/8  
 Weight (kg): 0.582  
 Weight (lbs): 1.28  
 Fixture Finish: SSR / BKV / CWI / CRY / HAB / UFT / ITA / RUA / FTG / MYG / LOD / PUS / FRO / FUP / KIA / POP / BLS / SPG / MEY / GOH / GUM / CHC / COM / ABZ / JAG / OBR / MOS / ROR  
 Fixture Material: Aluminum

**RATINGS AND CERTIFICATIONS**

Certified By: Certified for North American Standards  
 IP rating: IP20





## A3G50-SUR-SYS COMPONENTS

### A38862-

**DESCRIPTION**  
 Snooker - Track- Suspension Insert for Gravity Lift - 6.4W LED  
 (Zhaga Standard) - 2700K / 3000K / 4000K

**GENERAL**

Series: Snooker \_\_\_\_\_  
 Brand: Prolicht \_\_\_\_\_  
 Division: Architectural \_\_\_\_\_

**PHYSICAL**

Shape: Round \_\_\_\_\_  
 Diameter (mm): 72 \_\_\_\_\_  
 Diameter (in): 2 <sup>13</sup>/<sub>16</sub> \_\_\_\_\_  
 Height (mm): 72 \_\_\_\_\_  
 Height (in): 2 <sup>13</sup>/<sub>16</sub> \_\_\_\_\_  
 Light Distribution: Downlight \_\_\_\_\_  
 Weight (kg): 0.733 \_\_\_\_\_  
 Weight (lbs): 1.62 \_\_\_\_\_  
 Fixture Finish: SSR / BKV / CWI / CRY / HAB / UFT / ITA / RUA / FTG /  
 MYG / LOD / PUS / FRO / FUP / KIA / POP / BLS / SPG / MEY / GOH /  
 GUM / CHC / COM / ABZ / JAG / OBR / MOS / ROR \_\_\_\_\_  
 Fixture Material: Aluminum Die Cast \_\_\_\_\_

**ELECTRICAL**

Input Wattage Range: 1 - 9 W \_\_\_\_\_  
 Lamp Type: LED (Zhaga Standard) \_\_\_\_\_  
 Input Wattage (W): 6.5 \_\_\_\_\_  
 Total Output Wattage (W): 5.8 \_\_\_\_\_  
 Dimming: 0-10V Dimming \_\_\_\_\_  
 Driver Included: No \_\_\_\_\_  
 Driver Location: External \_\_\_\_\_  
 Input Voltage (V): 48 \_\_\_\_\_  
 Constant Current (MA): 500 \_\_\_\_\_

**LED**

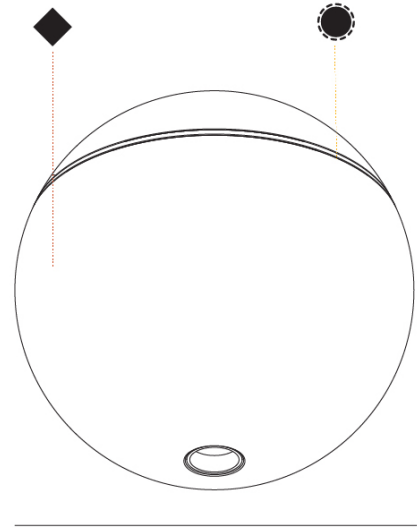
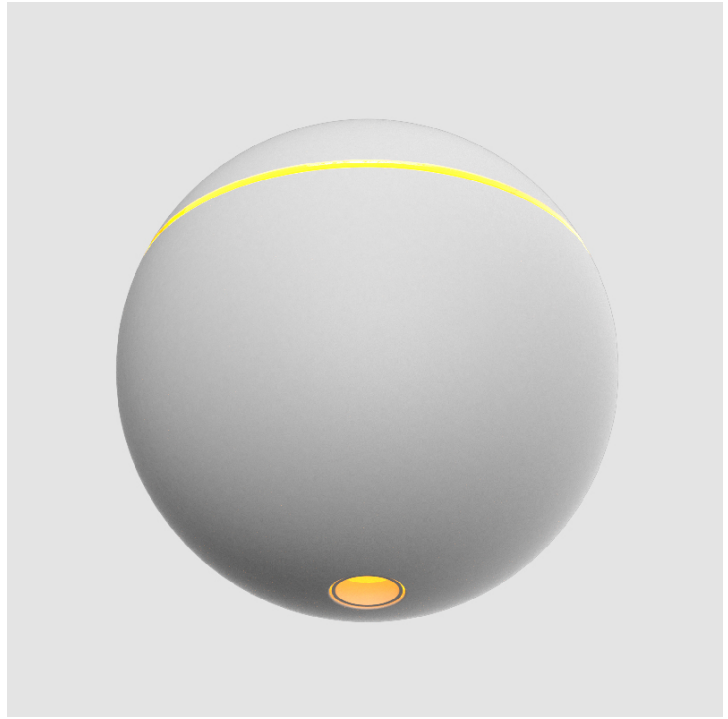
Delivered Lumen Range: 100 - 499 lm \_\_\_\_\_  
 Number of LEDs: 1 \_\_\_\_\_  
 Color Temperature (°K): 2700 / 3000 / 4000 \_\_\_\_\_  
 Max. Delivered Lumen (lm): 270 / 290 / 310 \_\_\_\_\_  
 Nominal Lumen (lm): 448 / 483 / 514 \_\_\_\_\_  
 CRI: >90 CRI \_\_\_\_\_  
 Upon Request: Special Color Temperature 3500K available in  
 minimum quantities (larger quantities upon request) \_\_\_\_\_

**OPTICAL**

Beam Angle: 55 \_\_\_\_\_  
 Upon Request: 55° Beam Angle: Dual Focus lens technology - very  
 low UGR \_\_\_\_\_

**RATINGS AND CERTIFICATIONS**

Certified By: Certified for North American Standards \_\_\_\_\_  
 IP rating: IP20 \_\_\_\_\_



Ø 72mm 2 <sup>13</sup>/<sub>16</sub>"



## A3G50-SUR-SYS COMPONENTS

### A38866-

**DESCRIPTION**  
 Snooker - G-Board - Suspension Insert - 6.4W LED (Zhaga Standard) - 2700K / 3000K / 4000K including Cable

**GENERAL**  
 Series: Snooker \_\_\_\_\_  
 Brand: Prolicht \_\_\_\_\_  
 Division: Architectural \_\_\_\_\_

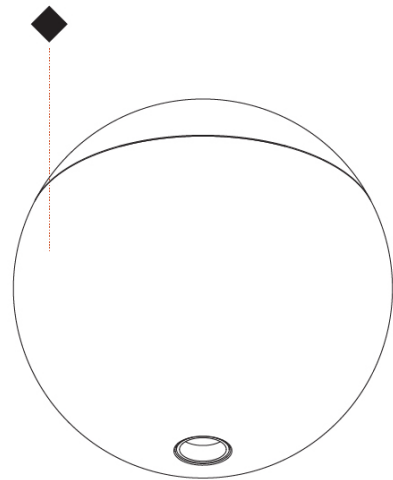
**PHYSICAL**  
 Shape: Round \_\_\_\_\_  
 Diameter (mm): 72 \_\_\_\_\_  
 Diameter (in): 2 <sup>13</sup>/<sub>16</sub> \_\_\_\_\_  
 Height (mm): 72 \_\_\_\_\_  
 Height (in): 2 <sup>13</sup>/<sub>16</sub> \_\_\_\_\_  
 Light Distribution: Downlight \_\_\_\_\_  
 Weight (kg): 0.733 \_\_\_\_\_  
 Weight (lbs): 1.6 \_\_\_\_\_  
 Fixture Finish: SSR / BKV / CWI / CRY / HAB / UFT / ITA / RUA / FTG / MYG / LOD / PUS / FRO / FUP / KIA / POP / BLS / SPG / MEY / GOH / GUM / CHC / COM / ABZ / JAG / OBR / MOS / ROR \_\_\_\_\_  
 Fixture Material: Aluminum Die Cast \_\_\_\_\_

**ELECTRICAL**  
 Input Wattage Range: 1 - 9 W \_\_\_\_\_  
 Lamp Type: LED (Zhaga Standard) \_\_\_\_\_  
 Input Wattage (W): 6.5 \_\_\_\_\_  
 Total Output Wattage (W): 5.8 \_\_\_\_\_  
 Driver Included: No \_\_\_\_\_  
 Driver Location: External \_\_\_\_\_  
 Input Voltage (V): 48 \_\_\_\_\_  
 Constant Current (MA): 500 \_\_\_\_\_

**LED**  
 Delivered Lumen Range: 100 - 499 lm \_\_\_\_\_  
 Number of LEDs: 1 \_\_\_\_\_  
 Color Temperature (°K): 2700 / 3000 / 4000 \_\_\_\_\_  
 Max. Delivered Lumen (lm): 270 / 290 / 310 \_\_\_\_\_  
 Nominal Lumen (lm): 448 / 483 / 514 \_\_\_\_\_  
 CRI: >90 CRI \_\_\_\_\_  
 Upon Request: Special Color Temperature 3500K available in minimum quantities (larger quantities upon request) \_\_\_\_\_

**OPTICAL**  
 Beam Angle: 55 \_\_\_\_\_  
 Upon Request: 55° Beam Angle: Dual Focus lens technology - very low UGR \_\_\_\_\_

**RATINGS AND CERTIFICATIONS**  
 Certified By: Certified for North American Standards \_\_\_\_\_  
 IP rating: IP20 \_\_\_\_\_



Ø 72mm 2 <sup>13</sup>/<sub>16</sub>"



## A3G50-SUR-SYS COMPONENTS

PROJECT	_____
TYPE	_____
NOTES	_____
QUANTITY	_____
DATE	_____

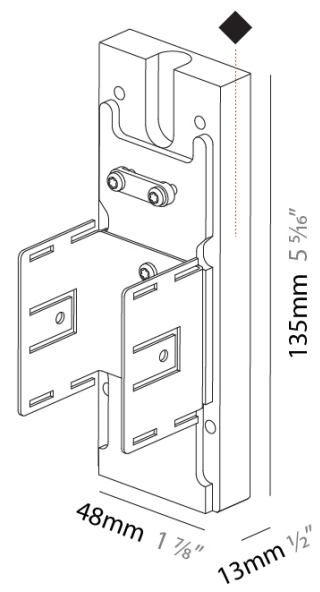
### A38947-

**DESCRIPTION**  
 G-50 Channel | Gravity Lift - Surface Profile - End Plate 1 pair -

**GENERAL**  
 Series: Snooker  
 Subseries: Snooker G-50 Channel for Gravity Lift  
 Brand: Prolicht  
 Division: Architectural

**PHYSICAL**  
 Shape: Rectangle  
 Length (mm): 48  
 Length (in): 1 7/8  
 Width (mm): 13  
 Width (in): 1/2  
 Height (mm): 135  
 Height (in): 5 5/16  
 Weight (kg): 0.55  
 Weight (lbs): 1.21  
 Fixture Finish: SSR / BKV / CWI / CRY / HAB / UFT / ITA / RUA / FTG / MYG / LOD / PUS / FRO / FUP / KIA / POP / BLS / SPG / MEY / GOH / GUM / CHC / COM / ABZ / JAG / OBR / MOS / ROR  
 Fixture Material: Aluminum

**RATINGS AND CERTIFICATIONS**  
 Certified By: Certified for North American Standards  
 IP rating: IP20



PROJECT \_\_\_\_\_  
 TYPE \_\_\_\_\_  
 NOTES \_\_\_\_\_  
 QUANTITY \_\_\_\_\_  
 DATE \_\_\_\_\_

## A3G50-SUR-SYS COMPONENTS SURFACE

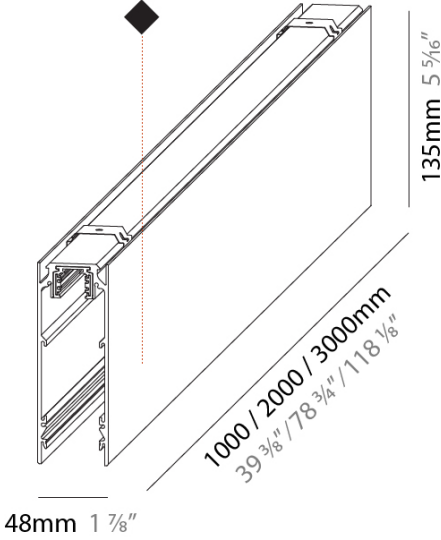
### A3D107-

**DESCRIPTION**  
 G-50 Channel | Gravity Lift - Surface Profile - 1000mm / 39 3/8" / 2000mm / 78 3/4" / 3000mm / 118 1/8"

**GENERAL**  
 Series: Snooker  
 Subseries: Snooker G-50 Channel for Gravity Lift  
 Brand: Prolicht  
 Division: Architectural  
 Mounting Type: Surface  
 Mounting Location: Ceiling  
 Subcategory: Profile

**PHYSICAL**  
 Shape: Rectangle  
 Length (mm): 1000 / 2000 / 3000  
 Length (in): 39 3/8"  
 Width (mm): 48  
 Width (in): 1 7/8"  
 Height (mm): 135  
 Height (in): 5 5/16"  
 Weight (kg): 3.274 / 6.541 / 9.808  
 Weight (lbs): 7.22 / 14.42 / 21.62  
 Fixture Finish: SSR / BKV / CWI / CRY / HAB / UFT / ITA / RUA / FTG / MYG / LOD / PUS / FRO / FUP / KIA / POP / BLS / SPG / MEY / GOH / GUM / CHC / COM / ABZ / JAG / OBR / MOS / ROR  
 Fixture Material: Extruded Aluminum

**RATINGS AND CERTIFICATIONS**  
 Certified By: Certified for North American Standards  
 IP rating: IP20



PROJECT	_____
TYPE	_____
NOTES	_____
QUANTITY	_____
DATE	_____

## A3G50-SUR-SYS COMPONENTS

### A3T100-

**DESCRIPTION**  
 Centriq - Track Head - 4.4W LED (Zhaga Standard) - 2700K / 3000K / 4000K - Dimmable - Lens: 24°/32°

**GENERAL**  
 Series: Centriq  
 Brand: Prolicht  
 Division: Architectural  
 Subcategory: Spots

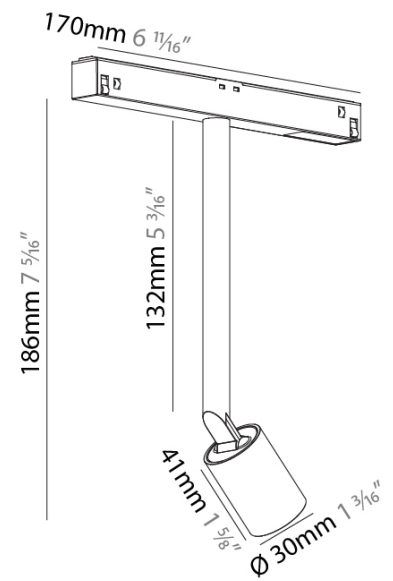
**PHYSICAL**  
 Shape: Cylinder  
 Diameter (mm): 30  
 Diameter (in): 1 5/8  
 Height (mm): 186  
 Height (in): 7 5/16  
 Light Distribution: Adjustable / Direct  
 Weight (kg): 0.078  
 Weight (lbs): 0.17  
 Fixture Finish: SSR / BKV / CWI / CRY / HAB / UFT / ITA / RUA / FTG / MYG / LOD / PUS / FRO / FUP / KIA / POP / BLS / SPG / MEY / GOH / GUM / CHC / COM / ABZ / JAG / OBR / MOS / ROR  
 Fixture Material: Aluminum

**ELECTRICAL**  
 Input Wattage Range: 1 - 9 W  
 Lamp Type: LED (Zhaga Standard)  
 Input Wattage (W): 4.4  
 Total Output Wattage (W): 4  
 Dimming: 0-10V Dimming  
 Driver Included: No  
 Driver Location: External  
 Input Voltage (V): 120

**LED**  
 Delivered Lumen Range: 100 - 499 lm  
 Number of LEDs: 1  
 Color Temperature (°K): 2700 / 3000 / 4000  
 Max. Delivered Lumen (lm): 260 / 270 / 290  
 Nominal Lumen (lm): 344 / 360 / 392  
 CRI: >90 CRI  
 Upon Request: Special Color Temperature 3500K available in minimum quantities (larger quantities upon request)

**OPTICAL**  
 Optic°: 24 / 32  
 Adjustability: Rotational 360°; Tilt 90°  
 Upon Request: Special Beam Angles

**RATINGS AND CERTIFICATIONS**  
 Certified By: Certified for North American Standards  
 IP rating: IP20



## A3G50-SUR-SYS COMPONENTS

### A3T101-

**DESCRIPTION**  
 Centriq - Track Head - 6.4W LED (Zhaga Standard) - 2700K / 3000K / 4000K - Dimmable

**GENERAL**  
 Series: Centriq  
 Brand: Prolight  
 Division: Architectural  
 Subcategory: Spots

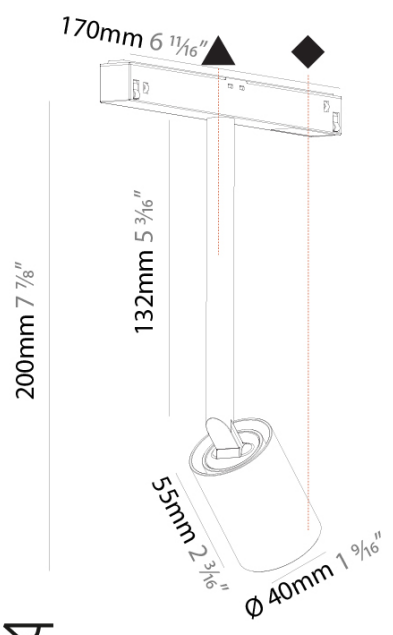
**PHYSICAL**  
 Shape: Cylinder  
 Diameter (mm): 40  
 Diameter (in): 1 9/16  
 Height (mm): 200  
 Height (in): 7 7/8  
 Light Distribution: Adjustable / Direct  
 Weight (kg): 0.132  
 Weight (lbs): 0.29  
 Fixture Finish: SSR / BKV / CWI / CRY / HAB / UFT / ITA / RUA / FTG / MYG / LOD / PUS / FRO / FUP / KIA / POP / BLS / SPG / MEY / GOH / GUM / CHC / COM / ABZ / JAG / OBR / MOS / ROR  
 Fixture Material: Aluminum

**ELECTRICAL**  
 Input Wattage Range: 1 - 9 W  
 Lamp Type: LED (Zhaga Standard)  
 Input Wattage (W): 6.5  
 Total Output Wattage (W): 5.8  
 Dimming: 0-10V Dimming  
 Driver Included: No  
 Driver Location: External  
 Input Voltage (V): 120

**LED**  
 Delivered Lumen Range: 100 - 499 lm  
 Number of LEDs: 1  
 Color Temperature (°K): 2700 / 3000 / 4000  
 Max. Delivered Lumen (lm): 360 / 390 / 420  
 Nominal Lumen (lm): 448 / 483 / 514  
 CRI: >90 CRI  
 Upon Request: Special Color Temperature \*\*\*3500K available in minimum quantities (larger quantities upon request)

**OPTICAL**  
 Reflector: 10  
 Adjustability: Rotational 360°; Tilt 90°  
 Upon Request: Special Beam Angles

**RATINGS AND CERTIFICATIONS**  
 Certified By: Certified for North American Standards  
 IP rating: IP20



PROJECT	_____
TYPE	_____
NOTES	_____
QUANTITY	_____
DATE	_____

## A3G50-SUR-SYS COMPONENTS

### A3T102-

**DESCRIPTION**  
 Centriq - Track Head - 6.6W LED (Zhaga Standard) - 2700K / 3000K / 4000K - Dimmable - Reflector: 20°/31°/36°/40°/50°

**GENERAL**  
 Series: Centriq  
 Brand: Prolicht  
 Division: Architectural  
 Subcategory: Spots

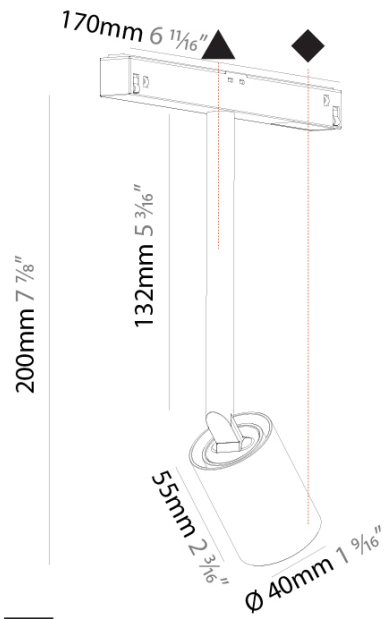
**PHYSICAL**  
 Shape: Cylinder  
 Diameter (mm): 40  
 Diameter (in): 1 9/16  
 Height (mm): 200  
 Height (in): 7 7/8  
 Light Distribution: Adjustable / Direct  
 Weight (kg): 0.159  
 Weight (lbs): 0.35  
 Fixture Finish: SSR / BKV / CWI / CRY / HAB / UFT / ITA / RUA / FTG / MYG / LOD / PUS / FRO / FUP / KIA / POP / BLS / SPG / MEY / GOH / GUM / CHC / COM / ABZ / JAG / OBR / MOS / ROR  
 Fixture Material: Aluminum

**ELECTRICAL**  
 Input Wattage Range: 1 - 9 W  
 Lamp Type: LED (Zhaga Standard)  
 Input Wattage (W): 6.5  
 Total Output Wattage (W): 5.9  
 Dimming: 0-10V Dimming  
 Driver Included: No  
 Driver Location: External  
 Input Voltage (V): 120

**LED**  
 Delivered Lumen Range: 100 - 499 lm  
 Number of LEDs: 1  
 Color Temperature (°K): 2700 / 3000 / 4000  
 Max. Delivered Lumen (lm): 468 / 490 / 520  
 Nominal Lumen (lm): 732 / 769 / 780  
 CRI: >90 CRI  
 Upon Request: Special Color Temperature 3500K available in minimum quantities (larger quantities upon request)

**OPTICAL**  
 Reflector: 20 / 31 / 36 / 40 / 50  
 Adjustability: Rotational 360°; Tilt 90°  
 Upon Request: Special Beam Angles

**RATINGS AND CERTIFICATIONS**  
 Certified By: Certified for North American Standards  
 IP rating: IP20



PROJECT	_____
TYPE	_____
NOTES	_____
QUANTITY	_____
DATE	_____

## A3G50-SUR-SYS COMPONENTS

### A3T103-

**DESCRIPTION**  
 Centriq - Track Head - 9.3W LED (Zhaga Standard) - 2700K / 3000K / 4000K - Dimmable

**GENERAL**

Series: Centriq  
 Brand: Prolicht  
 Division: Architectural  
 Subcategory: Spots

**PHYSICAL**

Shape: Cylinder  
 Diameter (mm): 55  
 Diameter (in): 2 3/16  
 Height (mm): 224  
 Height (in): 8 13/16  
 Light Distribution: Adjustable / Direct  
 Weight (kg): 0.554  
 Weight (lbs): 1.22  
 Fixture Finish: SSR / BKV / CWI / CRY / HAB / UFT / ITA / RUA / FTG / MYG / LOD / PUS / FRO / FUP / KIA / POP / BLS / SPG / MEY / GOH / GUM / CHC / COM / ABZ / JAG / OBR / MOS / ROR  
 Fixture Material: Aluminum

**ELECTRICAL**

Input Wattage Range: 1 - 9 W  
 Lamp Type: LED (Zhaga Standard)  
 Input Wattage (W): 9.2  
 Total Output Wattage (W): 8.4  
 Dimming: 0-10V Dimming  
 Driver Included: No  
 Driver Location: External  
 Input Voltage (V): 120

**LED**

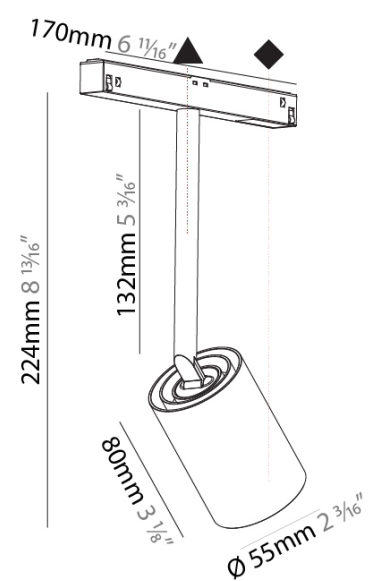
Delivered Lumen Range: 500 - 999 lm  
 Number of LEDs: 1  
 Color Temperature (°K): 2700 / 3000 / 4000  
 Max. Delivered Lumen (lm): 486 / 534 / 548  
 Nominal Lumen (lm): 625 / 660 / 712  
 CRI: >80 CRI  
 Upon Request: Special Color Temperature 3500K available in minimum quantities (larger quantities upon request)

**OPTICAL**

Reflector: 9  
 Adjustability: Rotational 360°; Tilt 90°  
 Upon Request: Special Beam Angles

**RATINGS AND CERTIFICATIONS**

Certified By: Certified for North American Standards  
 IP rating: IP20





PROJECT	_____
TYPE	_____
NOTES	_____
QUANTITY	_____
DATE	_____

## A3G50-SUR-SYS COMPONENTS

### A3T104-

**DESCRIPTION**  
 Centriq - Track Head - 12.1W LED (Zhaga Standard) - 2700K / 3000K / 4000K - Dimmable - 15° / 17° / 25° / 33° / 35° / 46°

**GENERAL**  
 Series: Centriq  
 Brand: Prolicht  
 Division: Architectural  
 Subcategory: Spots

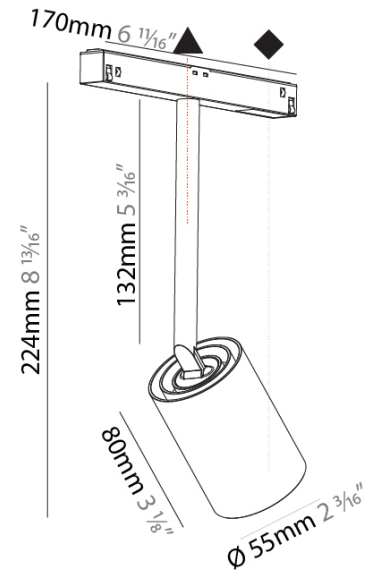
**PHYSICAL**  
 Shape: Cylinder  
 Diameter (mm): 55  
 Diameter (in): 2 3/16  
 Height (mm): 224  
 Height (in): 8 13/16  
 Light Distribution: Adjustable / Direct  
 Weight (kg): 0.562  
 Weight (lbs): 1.24  
 Fixture Finish: SSR / BKV / CWI / CRY / HAB / UFT / ITA / RUA / FTG / MYG / LOD / PUS / FRO / FUP / KIA / POP / BLS / SPG / MEY / GOH / GUM / CHC / COM / ABZ / JAG / OBR / MOS / ROR  
 Fixture Material: Aluminum

**ELECTRICAL**  
 Input Wattage Range: 10 - 19 W  
 Lamp Type: LED (Zhaga Standard)  
 Input Wattage (W): 12.0  
 Total Output Wattage (W): 10.6  
 Dimming: 0-10V Dimming  
 Driver Included: No  
 Driver Location: External  
 Input Voltage (V): 120

**LED**  
 Delivered Lumen Range: 500 - 999 lm  
 Number of LEDs: 1  
 Color Temperature (°K): 2700 / 3000 / 4000  
 Max. Delivered Lumen (lm): 720 / 760 / 820  
 Nominal Lumen (lm): 1196 / 1257 / 1275  
 CRI: >90 CRI  
 Upon Request: Special Color Temperature 3500K available in minimum quantities (larger quantities upon request)

**OPTICAL**  
 Reflector: 15 / 17 / 25 / 33 / 35 / 46  
 Adjustability: Rotational 360°; Tilt 90°  
 Upon Request: Special Beam Angles

**RATINGS AND CERTIFICATIONS**  
 Certified By: Certified for North American Standards  
 IP rating: IP20



PROJECT	_____
TYPE	_____
NOTES	_____
QUANTITY	_____
DATE	_____

### LEGEND

	floor-mounted		pivotable		special LED (upon request) RGB, RGBW, tunable, gold+, meat+, art+, fashion+
	wall and ceiling: recessed and surface mounted		rotating		warm dim / natural dimming LED
	ceiling-mounted and wall-mounted		illuminate tilted		rechargeable battery powered
	wall-mounted		color of suspension cable		fixture with natural vivid LED (upon request)
	omni-directional light distribution		length of suspension cable		color rendering index
	direct light distribution		reflector degree selection		color temperature
	direct/indirect light distribution		super spot		lumen (luminous flux)
	indirect light distribution		lens		efficacy (lumens per watt)
	asymmetric light distribution		lens pack		Unified Glare Rating (UGR) range from 5-40
	aura light distribution		shine ring		marine grade (AISI 316 stainless steel)
	round wall or ceiling cut-out		integrated shine ring with diffuser		walk on
	square wall or ceiling cut-out		free individual colors 01-29		drive on
	the supplied jig specifies the cutout dimensions		individual colors: 00 (free of charge), 01-25 (extra charge)		Dark Sky Compliance
	minimum distance (meters) lamp - object		luminaire part to be colored (F1)		Americans with Disabilities Act (less than 4" off the wall located between 27"-84" from floor)
	recessed depth		luminaire part to be colored (F2)		lamp protected against explosion
	ceiling thickness in mm		luminaire part to be colored (F3)		blown glass using traditional methods by master glass blower
	ceiling thickness selection		luminaire part to be colored (F4)		acoustic material
	dimnable DP (phase), DV (0-10V), DD (dali), DS (step-dim)		luminaire part to be colored (F5)		protection class I, protection insulation
	included or excluded LED driver/transformer/control gear		color of 3-circuit adaptor		protection class II, protection insulation
	separately switchable		indirect diffuser		ETL Certified to UL and CSA Standards
	sensor		direct diffuser		UL Certified to UL and CSA Standards
	remote control		ball-proof (upon request)		CSA Certified to UL and CSA Standards
	available upon request		accessory		Certified for North American Standards

### IP RATING

	protected against ingress of solid bodies greater than 12.5mm (finger)
	protected against ingress of solid bodies greater than 2.5mm protected against sprays of water up to 60 degrees from the vertical (rain)
	protected against ingress of solid bodies greater than 1mm (wire) no protection against the ingress of moisture
	protected against ingress of solid bodies greater than 1mm (wire) protected against sprays of water up to 60 degrees from the vertical (rain)
	protected against ingress of solid bodies greater than 1mm (wire) protected against water splashed from all directions
	protected against limited ingress of dust (wet rooms/covered outdoor areas) protected against water splashed from all directions
	protected against ingress of dust protected against jets of water
	protected against ingress of dust protected against powerful jets of water or heavy seas
	protected against ingress of dust protected against immersion of water between 15cm - 1m for 30 minutes
	protected against ingress of dust protected against immersion of water under pressure for long periods

### IK RATING

	protected against 0.14 joules impact (equivalent to 0.25kg mass dropped from 56mm above the surface)
	protected against 0.2 joules impact (equivalent to 0.25kg mass dropped from 80mm above the surface)
	protected against 0.35 joules impact (equivalent to 0.25kg mass dropped from 140mm above the surface)
	protected against 0.5 joules impact (equivalent to 0.25kg mass dropped from 200mm above the surface)
	protected against 0.7 joules impact (equivalent to 0.25kg mass dropped from 280mm above the surface)
	protected against 1 joules impact (equivalent to 0.25kg mass dropped from 400mm above the surface)
	protected against 2 joules impact (equivalent to 0.5kg mass dropped from 400mm above the surface)
	protected against 5 joules impact (equivalent to 1.7kg mass dropped from 300mm above the surface)
	protected against 10 joules impact (equivalent to 5.0kg mass dropped from 200mm above the surface)
	protected against 20 joules impact (equivalent to 5.0kg mass dropped from 400mm above the surface)