

A3GR-SUS-SYS COMPONENTS

PROJECT	_____
TYPE	_____
NOTES	_____
QUANTITY	_____
DATE	_____

A38524-

DESCRIPTION

Grooline Recessed Light Insert for Groove System - 1140mm / 44 7/8" - 20.2W / 12.8W [O/P] (3500K) - LED (Zhaga Standard) - 3000K / 3500K / 4000K

GENERAL

Series: Groove
 Brand: Prolicht
 Division: Architectural
 Mounting Location: Ceiling
 Subcategory: Profile

PHYSICAL

Shape: Rectangle
 Length (mm): 1140
 Length (in): 44 7/8
 Width (mm): 36
 Width (in): 1 7/16
 Height (mm): 37
 Height (in): 1 7/16
 Light Distribution: Direct
 Weight (kg): 1.218
 Weight (lbs): 2.69
 Diffuser: PMMA - Opal
 Fixture Material: Metal

ELECTRICAL

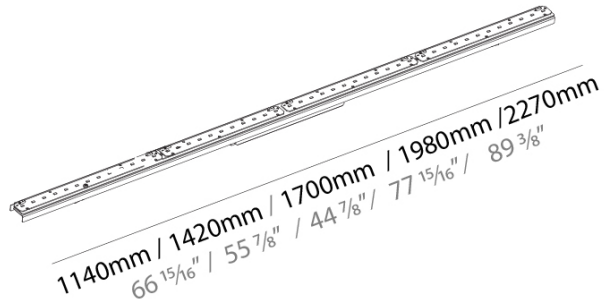
Input Wattage Range: 20 - 29 W
 Lamp Type: LED (Zhaga Standard)
 Input Wattage (W): 20.2
 Total Output Wattage (W): 16 / 12.8 (3500K)
 Dimming: 0-10V Dimming / Phase Dimming (120Vac Only)
 Driver Included: Yes
 Driver Location: Integrated
 Driver Type: Constant Current - Universal
 Driver Class: Class 2
 Input Voltage (V): 120 - 277
 Constant Current (mA): 350 / 400 (3500K)

LED

Color Temperature (°K): 3000 / 3500 / 4000
 Max. Delivered Lumen (lm): 1370 / 1421 / 1450
 Nominal Lumen (lm): 2840 / 2940 / 3000
 CRI: >90 CRI
 Lamp Life (hrs): 50000

RATINGS AND CERTIFICATIONS

Certified By: Certified for North American Standards
 IP rating: IP20



A3GR-SUS-SYS COMPONENTS

PROJECT	_____
TYPE	_____
NOTES	_____
QUANTITY	_____
DATE	_____

A38526-

DESCRIPTION

Grooline Recessed Light Insert for Groove System - 1420mm / 55 7/8" - 25W / 20W [O/P] (3500K) - LED (Zhaga Standard) - 3000K / 3500K / 4000K

GENERAL

Series: Groove
 Brand: Prolicht
 Division: Architectural
 Mounting Location: Ceiling

PHYSICAL

Shape: Rectangle
 Length (mm): 1420
 Length (in): 55 7/8
 Width (mm): 36
 Width (in): 1 7/16
 Height (mm): 37
 Height (in): 1 7/16
 Light Distribution: Direct
 Weight (kg): 1.454
 Weight (lbs): 3.21
 Diffuser: PMMA - Opal
 Fixture Material: Metal

ELECTRICAL

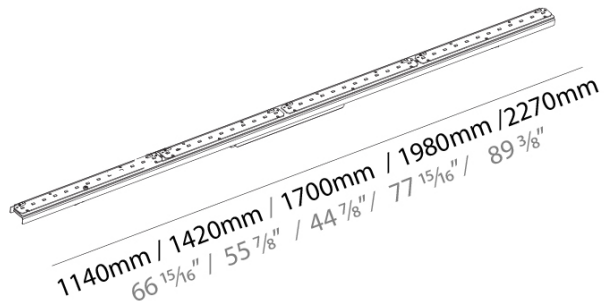
Input Wattage Range: 20 - 29 W
 Lamp Type: LED (Zhaga Standard)
 Input Wattage (W): 25.3
 Total Output Wattage (W): 20 / 16 (3500K)
 Dimming: 0-10V Dimming / Phase Dimming (120Vac Only)
 Driver Included: Yes
 Driver Location: Integrated
 Driver Type: Constant Current - Universal
 Driver Class: Class 2
 Input Voltage (V): 120 - 277
 Constant Current (mA): 350 / 500 (3500K)

LED

Color Temperature (°K): 3000 / 3500 / 4000
 Max. Delivered Lumen (lm): 1710 / 1774 / 1810
 Nominal Lumen (lm): 3550 / 3675 / 3750
 CRI: >90 CRI
 Lamp Life (hrs): 50000

RATINGS AND CERTIFICATIONS

Certified By: Certified for North American Standards
 IP rating: IP20



PROJECT	_____
TYPE	_____
NOTES	_____
QUANTITY	_____
DATE	_____

A3GR-SUS-SYS COMPONENTS

A38528-

DESCRIPTION
 Grooline Recessed Light Insert for Groove System - 1700mm / 66 15/16" - 30.4W / 19.2W [O/P] (3500K) - LED (Zhaga Standard) - 3000K / 3500K / 4000K

GENERAL

Series: Groove
 Brand: Prolicht
 Division: Architectural
 Mounting Location: Ceiling
 Subcategory: Profile

PHYSICAL

Shape: Rectangle
 Length (mm): 1700
 Length (in): 66 15/16
 Width (mm): 36
 Width (in): 1 7/16
 Height (mm): 37
 Height (in): 1 7/16
 Light Distribution: Direct
 Weight (kg): 1.688
 Weight (lbs): 3.72
 Diffuser: PMMA - Opal
 Fixture Material: Metal

ELECTRICAL

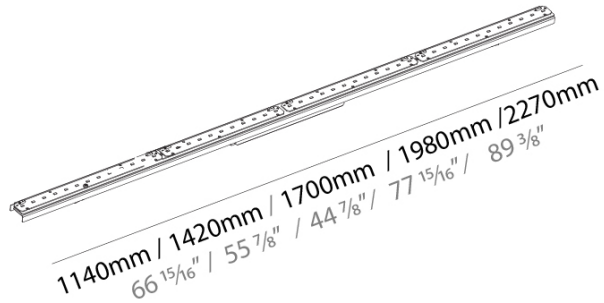
Input Wattage Range: 30 - 49 W
 Lamp Type: LED (Zhaga Standard)
 Input Wattage (W): 30.4
 Total Output Wattage (W): 24 / 19.2 (3500K)
 Dimming: 0-10V Dimming / Phase Dimming (120Vac Only)
 Driver Included: Yes
 Driver Location: Integrated
 Driver Type: Constant Current - 120 / 277Vac
 Driver Class: Class 2
 Input Voltage (V): 120 - 277
 Constant Current (MA): 350 / 600 (3500K)

LED

Color Temperature (°K): 3000 / 3500 / 4000
 Max. Delivered Lumen (lm): 2050 / 2127 / 2170
 Nominal Lumen (lm): 4260 / 4410 / 4500
 CRI: >90 CRI
 Lamp Life (hrs): 50000

RATINGS AND CERTIFICATIONS

Certified By: Certified for North American Standards
 IP rating: IP20



PROJECT	_____
TYPE	_____
NOTES	_____
QUANTITY	_____
DATE	_____

A3GR-SUS-SYS COMPONENTS

A38530-

DESCRIPTION
 Grooline Recessed Light Insert for Groove System - 1980mm / 77 15/16" - 35W / 22.4 [O/P] (3500K) - LED (Zhaga Standard) - 3000K / 3500K / 4000K

GENERAL

Series: Groove
 Brand: Prolicht
 Division: Architectural
 Mounting Location: Ceiling
 Subcategory: Profile

PHYSICAL

Shape: Rectangle
 Length (mm): 1980
 Length (in): 77 15/16
 Width (mm): 36
 Width (in): 1 7/16
 Height (mm): 37
 Height (in): 1 7/16
 Light Distribution: Direct
 Weight (kg): 1.922
 Weight (lbs): 4.24
 Diffuser: PMMA - Opal
 Fixture Material: Metal

ELECTRICAL

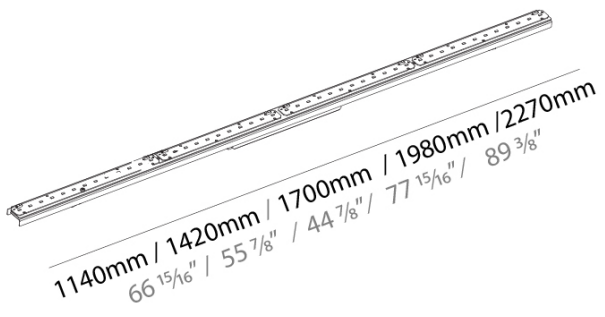
Input Wattage Range: 30 - 49 W
 Lamp Type: LED (Zhaga Standard)
 Input Wattage (W): 35.4
 Total Output Wattage (W): 28 / 22.4 (35000K)
 Dimming: 0-10V Dimming / Phase Dimming (120Vac Only)
 Driver Included: Yes
 Driver Location: Integrated
 Driver Type: Constant Current - 120 / 277Vac
 Driver Class: Class 2
 Input Voltage (V): 120 - 277
 Constant Current (MA): 350 / 700 (3500K)

LED

Color Temperature (°K): 3000 / 3500 / 4000
 Max. Delivered Lumen (lm): 2400 / 2479 / 2530
 Nominal Lumen (lm): 4970 / 5125 / 5250
 CRI: >90 CRI
 Lamp Life (hrs): 50000

RATINGS AND CERTIFICATIONS

Certified By: Certified for North American Standards
 IP rating: IP20



PROJECT	_____
TYPE	_____
NOTES	_____
QUANTITY	_____
DATE	_____

A3GR-SUS-SYS COMPONENTS

A38532-

DESCRIPTION
 Grooline Recessed Light Insert for Groove System - 2270mm / 89 3/8" - 40W / 25.6W [O/P] (3500K) - LED (Zhaga Standard) - 3000K / 3500K / 4000K

GENERAL

Series: Groove
 Brand: Prolicht
 Division: Architectural
 Mounting Location: Ceiling
 Subcategory: Profile

PHYSICAL

Shape: Rectangle
 Length (mm): 2270
 Length (in): 89 3/8
 Width (mm): 36
 Width (in): 1 7/16
 Height (mm): 37
 Height (in): 1 7/16
 Light Distribution: Direct
 Weight (kg): 2.193
 Weight (lbs): 4.84
 Diffuser: PMMA - Opal
 Fixture Material: Metal

ELECTRICAL

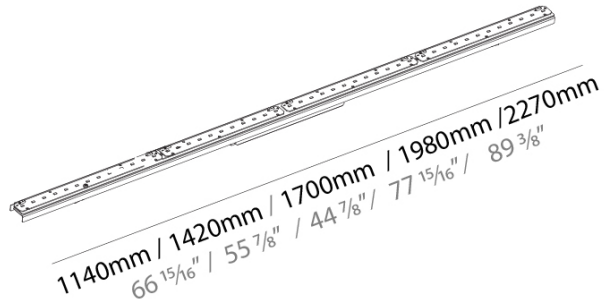
Input Wattage Range: 30 - 49 W
 Lamp Type: LED (Zhaga Standard)
 Input Wattage (W): 40.5
 Total Output Wattage (W): 32 / 25.6 (3500K)
 Dimming: 0-10V Dimming / Phase Dimming (120Vac Only)
 Driver Included: Yes
 Driver Location: Integrated
 Driver Type: Constant Current - 120 / 277Vac
 Driver Class: Class 2
 Input Voltage (V): 120 - 277
 Constant Current (MA): 350 / 800 (3500K)

LED

Color Temperature (°K): 3000 / 3500 / 4000
 Max. Delivered Lumen (lm): 2740 / 2832 / 2890
 Nominal Lumen (lm): 5680 / 5880 / 6000
 CRI: >90 CRI
 Lamp Life (hrs): 50000

RATINGS AND CERTIFICATIONS

Certified By: Certified for North American Standards
 IP rating: IP20



A3GR-SUS-SYS COMPONENTS

PROJECT	_____
TYPE	_____
NOTES	_____
QUANTITY	_____
DATE	_____

A38997-

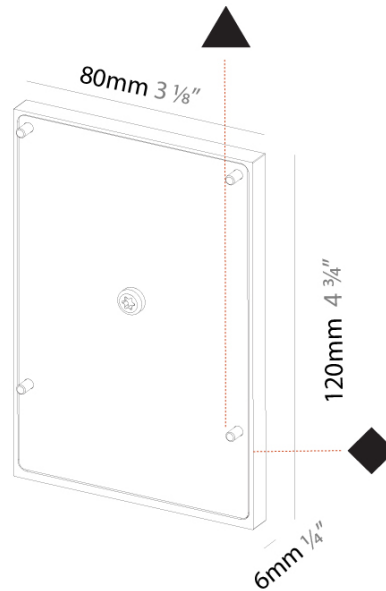
DESCRIPTION
Groove System - Surface / Suspension End Cap

GENERAL
Series: Groove
Brand: Prolicht
Division: Architectural

PHYSICAL
Shape: Rectangle
Length (mm): 80
Length (in): 3 1/8
Width (mm): 6
Width (in): 1/4
Height (mm): 120
Height (in): 4 3/4
Weight (kg): 0.19
Weight (lbs): 0.42
Fixture Finish: SSR / BKV / CWI / CRY / HAB / UFT / ITA / RUA / FTG / MYG / LOD / PUS / FRO / FUP / KIA / POP / BLS / SPG / MEY / GOH / GUM / CHC / COM / ABZ / JAG / OBR / MOS / ROR
Fixture Material: Aluminum

LED
CRI: >90 CRI

RATINGS AND CERTIFICATIONS
Certified By: Certified for North American Standards
IP rating: IP20



A3GR-SUS-SYS COMPONENTS

PROJECT _____
TYPE _____
NOTES _____
QUANTITY _____
DATE _____

A39013-

DESCRIPTION
Suspension Power Feed 3x0.75, 2000mm

GENERAL

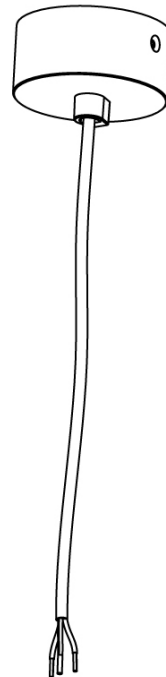
Brand: Prolicht _____
Division: Architectural _____

PHYSICAL

Shape: Round _____
Diameter (mm): 114 _____
Diameter (in): 4 1/2 _____
Length (mm): 2000 _____
Length (in): 78 3/4 _____
Width (mm): 81 _____
Width (in): 3 1/16 _____
Height (mm): 32 _____
Height (in): 1 1/4 _____
Weight (kg): 0.3 _____
Weight (lbs): 0.66 _____
Fixture Finish: ANA / SSR / BKV / CWI / CRY / HAB / MSR / UFT / ITA /
RUA / OGR / FTG / MYG / RWR / LOD / PUS / FRO / FUP / KIA / POP /
BLS / SPG / MEY / GOH / GUM / CHC / COM / ABZ / JAG / OBR / MOS /
ROR _____
Fixture Material: Aluminum _____

RATINGS AND CERTIFICATIONS

Certified By: Certified for North American Standards _____
IP rating: IP20 _____



A3GR-SUS-SYS COMPONENTS

PROJECT _____
TYPE _____
NOTES _____
QUANTITY _____
DATE _____

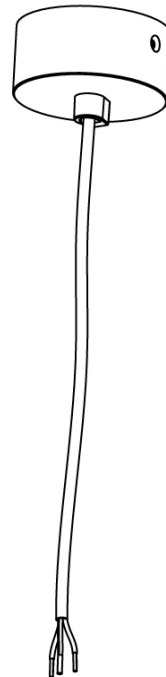
A39014-

DESCRIPTION
Suspension Power Feed 5x0.75 - 2000mm

GENERAL
Brand: Prolicht _____
Division: Architectural _____

PHYSICAL
Shape: Round _____
Diameter (mm): 114 _____
Diameter (in): 4 1/2 _____
Length (mm): 2000 _____
Length (in): 78 3/4 _____
Width (mm): 81 _____
Width (in): 3 1/16 _____
Height (mm): 32 _____
Height (in): 1 1/4 _____
Weight (kg): 0.3 _____
Weight (lbs): 0.661 _____
Fixture Finish: ANA / SSR / BKV / CWI / CRY / HAB / MSR / UFT / ITA /
RUA / OGR / FTG / MYG / RWR / LOD / PUS / FRO / FUP / KIA / POP /
BLS / SPG / MEY / GOH / GUM / CHC / COM / ABZ / JAG / OBR / MOS /
ROR _____
Fixture Material: Aluminum _____

RATINGS AND CERTIFICATIONS
Certified By: Certified for North American Standards _____
IP rating: IP20 _____



PROJECT _____
 TYPE _____
 NOTES _____
 QUANTITY _____
 DATE _____

A3GR-SUS-SYS COMPONENTS

A39015-

DESCRIPTION
 Suspension Power Feed 4x0.75 2000mm 2 Circuits Phase Dimming

GENERAL

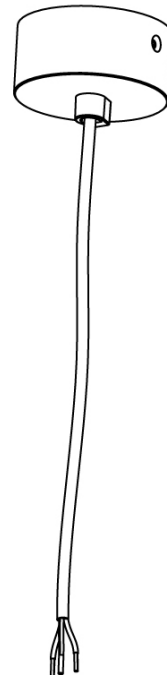
Brand: Prolicht _____
 Division: Architectural _____

PHYSICAL

Shape: Round _____
 Diameter (mm): 114 _____
 Diameter (in): 4 1/2 _____
 Length (mm): 6000 _____
 Length (in): 236 1/4 _____
 Width (mm): 81 _____
 Width (in): 3 3/16 _____
 Height (mm): 32 _____
 Height (in): 1 1/4 _____
 Weight (kg): 0.118 _____
 Weight (lbs): 0.26 _____
 Fixture Finish: ANA / SSR / BKV / CWI / CRY / HAB / MSR / UFT / ITA /
 RUA / OGR / FTG / MYG / RWR / LOD / PUS / FRO / FUP / KIA / POP /
 BLS / SPG / MEY / GOH / GUM / CHC / COM / ABZ / JAG / OBR / MOS /
 ROR _____
 Fixture Material: Aluminum _____

RATINGS AND CERTIFICATIONS

Certified By: Certified for North American Standards _____
 IP rating: IP20 _____



A3GR-SUS-SYS COMPONENTS

PROJECT _____
TYPE _____
NOTES _____
QUANTITY _____
DATE _____

A39016-

DESCRIPTION
Suspension Power Feed 3x0.75, 6000mm

GENERAL

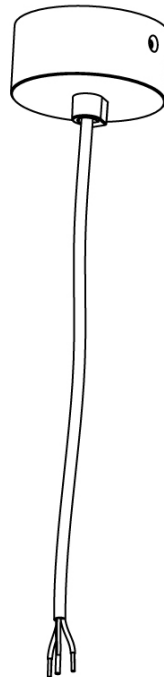
Brand: Prolicht _____
Division: Architectural _____

PHYSICAL

Shape: Round _____
Diameter (mm): 114 _____
Diameter (in): 4 1/4 _____
Length (mm): 6000 _____
Length (in): 236 1/4 _____
Width (mm): 81 _____
Width (in): 3 3/16 _____
Height (mm): 32 _____
Height (in): 1 1/4 _____
Weight (kg): 0.117 _____
Weight (lbs): 0.258 _____
Fixture Finish: ANA / SSR / BKV / CWI / CRY / HAB / MSR / UFT / ITA /
RUA / OGR / FTG / MYG / RWR / LOD / PUS / FRO / FUP / KIA / POP /
BLS / SPG / MEY / GOH / GUM / CHC / COM / ABZ / JAG / OBR / MOS /
ROR _____
Fixture Material: Aluminum _____

RATINGS AND CERTIFICATIONS

Certified By: Certified for North American Standards _____
IP rating: IP20 _____



A3GR-SUS-SYS COMPONENTS

PROJECT _____
TYPE _____
NOTES _____
QUANTITY _____
DATE _____

A39017-

DESCRIPTION
Suspension Power Feed 5x0.75, 6000mm

GENERAL

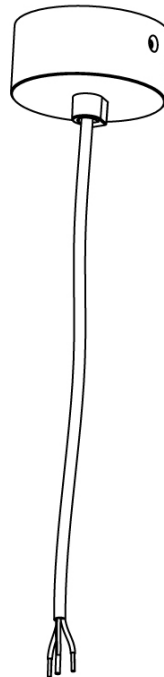
Brand: Prolicht _____
Division: Architectural _____

PHYSICAL

Shape: Round _____
Diameter (mm): 81 _____
Diameter (in): 3 ³/₁₆ _____
Length (mm): 6000 _____
Length (in): 236 ¹/₄ _____
Width (mm): 81 _____
Width (in): 3 ³/₁₆ _____
Height (mm): 32 _____
Height (in): 1 ¹/₄ _____
Weight (kg): 0.117 _____
Weight (lbs): 0.258 _____
Fixture Finish: ANA / SSR / BKV / CWI / CRY / HAB / MSR / UFT / ITA /
RUA / OGR / FTG / MYG / RWR / LOD / PUS / FRO / FUP / KIA / POP /
BLS / SPG / MEY / GOH / GUM / CHC / COM / ABZ / JAG / OBR / MOS /
ROR _____
Fixture Material: Aluminum _____

RATINGS AND CERTIFICATIONS

Certified By: Certified for North American Standards _____
IP rating: IP20 _____



PROJECT _____
 TYPE _____
 NOTES _____
 QUANTITY _____
 DATE _____

A3GR-SUS-SYS COMPONENTS

A39018-

DESCRIPTION
 Suspension Power Feed 4x0.75, 6000mm 2 Circuits Phase Dimming

GENERAL

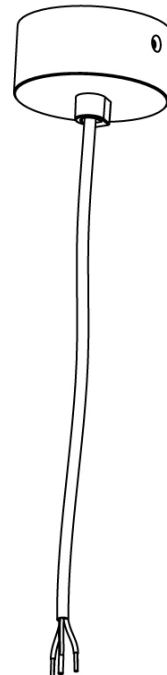
Brand: Prolicht _____
 Division: Architectural _____

PHYSICAL

Shape: Round _____
 Diameter (mm): 81 _____
 Diameter (in): 3 1/16 _____
 Length (mm): 3 3/16 _____
 Length (in): 236 1/4 _____
 Width (mm): 81 _____
 Width (in): 3 3/16 _____
 Height (mm): 32 _____
 Height (in): 1 1/4 _____
 Weight (kg): 0.35 _____
 Weight (lbs): 0.77 _____
 Fixture Finish: ANA / SSR / BKV / CWI / CRY / HAB / MSR / UFT / ITA /
 RUA / OGR / FTG / MYG / RWR / LOD / PUS / FRO / FUP / KIA / POP /
 BLS / SPG / MEY / GOH / GUM / CHC / COM / ABZ / JAG / OBR / MOS /
 ROR _____
 Fixture Material: Aluminum _____

RATINGS AND CERTIFICATIONS

Certified By: Certified for North American Standards _____
 IP rating: IP20 _____



A3GR-SUS-SYS COMPONENTS

PROJECT _____
 TYPE _____
 NOTES _____
 QUANTITY _____
 DATE _____

A39064-

DESCRIPTION
 Groove System - Suspension Cable 6000mm (1 pair)

GENERAL

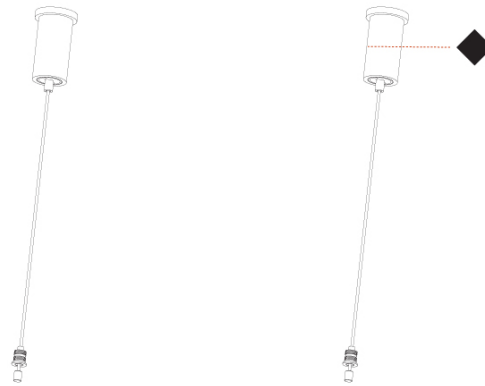
Series: Groove _____
 Brand: Prolicht _____
 Division: Architectural _____

PHYSICAL

Diameter (mm): 22 _____
 Diameter (in): 7/8 _____
 Length (mm): 6000 _____
 Length (in): 236 3/4 _____
 Height (mm): 33 _____
 Height (in): 1 5/16 _____
 Weight (kg): 0.11 _____
 Weight (lbs): 0.24 _____
 Fixture Finish: ANA / SSR / BKV / CWI / CRY / HAB / MSR / UFT / ITA /
 RUA / OGR / FTG / MYG / RWR / LOD / PUS / FRO / FUP / KIA / POP /
 BLS / SPG / MEY / GOH / GUM / CHC / COM / ABZ / JAG / OBR / MOS /
 ROR _____
 Fixture Material: Aluminum _____

RATINGS AND CERTIFICATIONS

Certified By: Certified for North American Standards _____
 IP rating: IP20 _____



distance 1800mm 70 7/8"



A3GR-SUS-SYS COMPONENTS

PROJECT	_____
TYPE	_____
NOTES	_____
QUANTITY	_____
DATE	_____

A39065-

DESCRIPTION
 Groove System - Suspension Y-Suspension Cable with Quick Release Fastener L=6000mm

GENERAL

Series: Groove _____
 Brand: Prolicht _____
 Division: Architectural _____

PHYSICAL

Diameter (mm): 22 _____
 Diameter (in): 7/8 _____
 Length (mm): 6000 _____
 Length (in): 236 3/4 _____
 Height (mm): 33 _____
 Height (in): 1 5/16 _____
 Weight (kg): 0.03 _____
 Weight (lbs): 0.07 _____
 Fixture Finish: ANA / SSR / BKV / CWI / CRY / HAB / MSR / UFT / ITA /
 RUA / OGR / FTG / MYG / RWR / LOD / PUS / FRO / FUP / KIA / POP /
 BLS / SPG / MEY / GOH / GUM / CHC / COM / ABZ / JAG / OBR / MOS /
 ROR _____

Fixture Material: Aluminum _____

RATINGS AND CERTIFICATIONS

Certified By: Certified for North American Standards _____
 IP rating: IP20 _____



distance 1800mm 70 7/8"



A3GR-SUS-SYS COMPONENTS

PROJECT _____
 TYPE _____
 NOTES _____
 QUANTITY _____
 DATE _____

A39066-

DESCRIPTION
 Groove System - Suspension Cable 2000mm (1 pair)

GENERAL

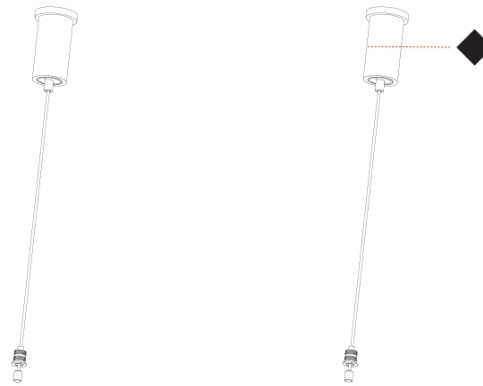
Series: Groove _____
 Brand: Prolicht _____
 Division: Architectural _____

PHYSICAL

Diameter (mm): 22 _____
 Diameter (in): 7/8 _____
 Length (mm): 2000 _____
 Length (in): 78 3/4 _____
 Height (mm): 33 _____
 Height (in): 1 5/16 _____
 Weight (kg): 0.12 _____
 Weight (lbs): 0.264 _____
 Fixture Finish: ANA / SSR / BKV / CWI / CRY / HAB / MSR / UFT / ITA /
 RUA / OGR / FTG / MYG / RWR / LOD / PUS / FRO / FUP / KIA / POP /
 BLS / SPG / MEY / GOH / GUM / CHC / COM / ABZ / JAG / OBR / MOS /
 ROR _____
 Fixture Material: Aluminum _____

RATINGS AND CERTIFICATIONS

Certified By: Certified for North American Standards _____
 IP rating: IP20 _____



distance 1800mm 70 7/8"



A3GR-SUS-SYS COMPONENTS

PROJECT	_____
TYPE	_____
NOTES	_____
QUANTITY	_____
DATE	_____

A39077-

DESCRIPTION
 Groove System - Suspension Y-Suspension Cable with Quick Release Fastener L=2000mm

GENERAL

Series: Groove _____
 Brand: Prolicht _____
 Division: Architectural _____

PHYSICAL

Diameter (mm): 22 _____
 Diameter (in): 7/8 _____
 Length (mm): 2000 _____
 Length (in): 78 3/4 _____
 Height (mm): 33 _____
 Height (in): 1 5/16 _____
 Weight (kg): 0.03 _____
 Weight (lbs): 0.07 _____
 Fixture Finish: ANA / SSR / BKV / CWI / CRY / HAB / MSR / UFT / ITA / RUA / OGR / FTG / MYG / RWR / LOD / PUS / FRO / FUP / KIA / POP / BLS / SPG / MEY / GOH / GUM / CHC / COM / ABZ / JAG / OBR / MOS / ROR _____

Fixture Material: Aluminum _____

RATINGS AND CERTIFICATIONS

Certified By: Certified for North American Standards _____
 IP rating: IP20 _____



distance 1800mm 70 7/8"



PROJECT _____
TYPE _____
NOTES _____
QUANTITY _____
DATE _____

A3GR-SUS-SYS COMPONENTS

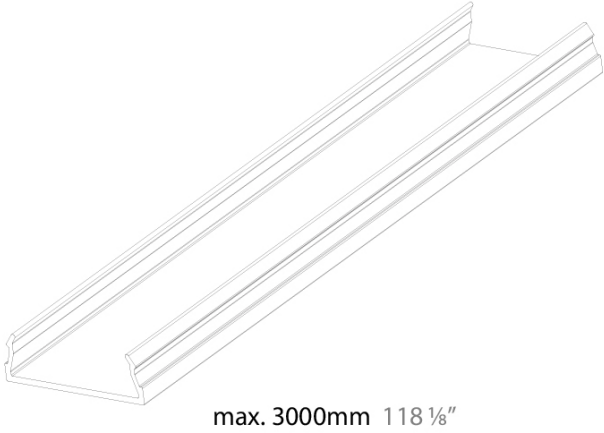
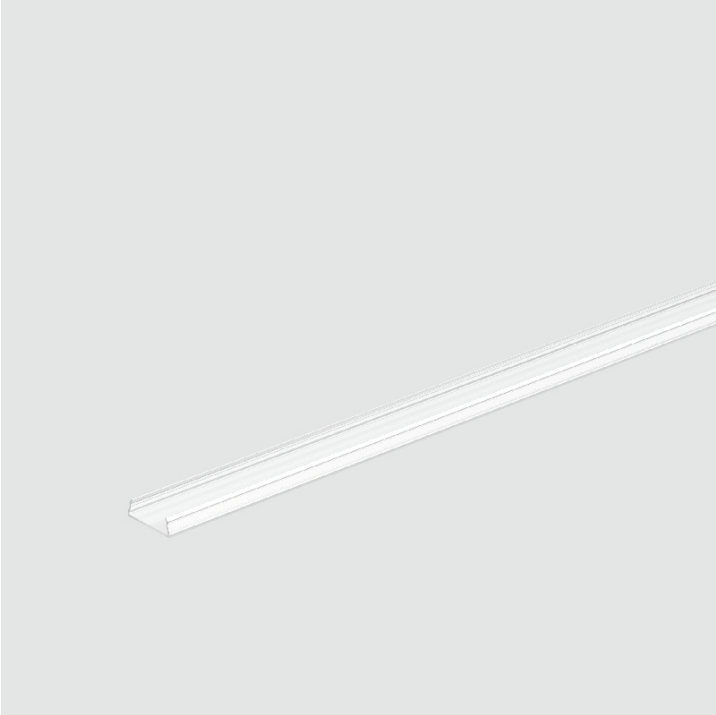
A3964300

DESCRIPTION
Groove System - Surface/Suspension / Idaho 40 Trimless System - Flat Opal Diffuser Per Meter - Max 3,000mm / 118 1/8"

GENERAL
Series: Groove _____
Brand: Prolicht _____
Division: Architectural _____

PHYSICAL
Shape: Rectangle _____
Length (mm): 1000 _____
Length (in): 39 3/8 _____
Width (mm): 42 _____
Width (in): 1 7/8 _____
Height (mm): 14 _____
Height (in): 9/16 _____
Weight (kg): 0.13 _____
Weight (lbs): 0.287 _____
Diffuser: PMMA - Opal _____

RATINGS AND CERTIFICATIONS
Certified By: Certified for North American Standards _____
IP rating: IP20 _____



PROJECT _____
 TYPE _____
 NOTES _____
 QUANTITY _____
 DATE _____

A3GR-SUS-SYS COMPONENTS

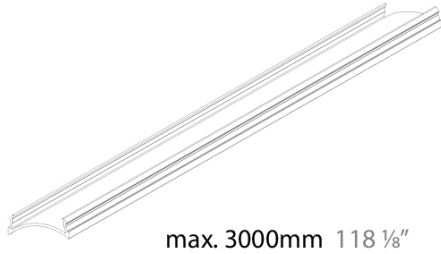
A3993000

DESCRIPTION
 Groove System - Surface/Suspension Curved Opal Diffuser Per
 Meter - Max 3,000mm / 118 1/8"

GENERAL
 Series: Groove _____
 Brand: Prolicht _____
 Division: Architectural _____
 Mounting Location: Ceiling _____
 Subcategory: Profile _____

PHYSICAL
 Shape: Rectangle _____
 Length (mm): 1000 _____
 Length (in): 39 3/8 _____
 Width (mm): 42 _____
 Width (in): 1 5/8 _____
 Height (mm): 14 _____
 Height (in): 9/16 _____
 Weight (kg): 0.2 _____
 Weight (lbs): 0.44 _____
 Diffuser: Opal - PMMA _____

RATINGS AND CERTIFICATIONS
 Certified By: CSA Certified to UL and CSA Standards _____
 IP rating: IP20 _____



A3GR-SUS-SYS COMPONENTS

PROJECT	_____
TYPE	_____
NOTES	_____
QUANTITY	_____
DATE	_____

A39931-

DESCRIPTION
Groove System - Cap Profile per Meter - Max 3,000mm / 118 1/8"

GENERAL

Series: Groove
Brand: Prolicht
Division: Architectural
Mounting Location: Ceiling
Subcategory: Profile

PHYSICAL

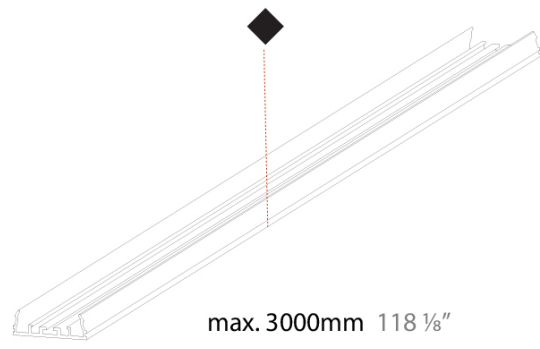
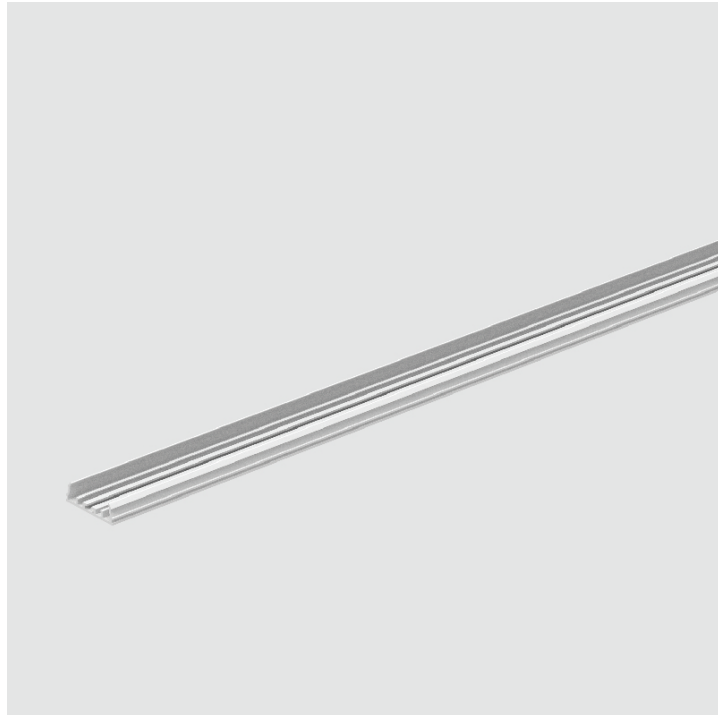
Shape: Rectangle
Length (mm): 1000
Length (in): 39 3/8
Width (mm): 42
Width (in): 1 5/8
Height (mm): 14
Height (in): 9/16
Weight (kg): 0.37
Weight (lbs): 0.82
Fixture Finish: SSR / BKV / CWI / CRY / HAB / UFT / ITA / RUA / FTG / MYG / LOD / PUS / FRO / FUP / KIA / POP / BLS / SPG / MEY / GOH / GUM / CHC / COM / ABZ / JAG / OBR / MOS / ROR
Fixture Material: Aluminum

LED

CRI: >90 CRI

RATINGS AND CERTIFICATIONS

Certified By: Certified for North American Standards
IP rating: IP20



PROJECT	_____
TYPE	_____
NOTES	_____
QUANTITY	_____
DATE	_____

LEGEND

	floor-mounted		pivotal		special LED (upon request) RGB, RGBW, tunable, gold+, meat+, art+, fashion+
	wall and ceiling: recessed and surface mounted		rotating		warm dim / natural dimming LED
	ceiling-mounted and wall-mounted		illuminate tilted		rechargeable battery powered
	wall-mounted		color of suspension cable		fixture with natural vivid LED (upon request)
	omni-directional light distribution		length of suspension cable		color rendering index
	direct light distribution		reflector degree selection		color temperature
	direct/indirect light distribution		super spot		lumen (luminous flux)
	indirect light distribution		lens		efficacy (lumens per watt)
	asymmetric light distribution		lens pack		Unified Glare Rating (UGR) range from 5-40
	aura light distribution		shine ring		marine grade (AISI 316 stainless steel)
	round wall or ceiling cut-out		integrated shine ring with diffuser		walk on
	square wall or ceiling cut-out		free individual colors 01-29		drive on
	the supplied jig specifies the cutout dimensions		individual colors: 00 (free of charge), 01-25 (extra charge)		Dark Sky Compliance
	minimum distance (meters) lamp - object		luminaire part to be colored (F1)		Americans with Disabilities Act (less than 4" off the wall located between 27"-84" from floor)
	recessed depth		luminaire part to be colored (F2)		lamp protected against explosion
	ceiling thickness in mm		luminaire part to be colored (F3)		blown glass using traditional methods by master glass blower
	ceiling thickness selection		luminaire part to be colored (F4)		acoustic material
	dimmable DP (phase), DV (0-10V), DD (dali), DS (step-dim)		luminaire part to be colored (F5)		protection class I, protection insulation
	included or excluded LED driver/transformer/control gear		color of 3-circuit adaptor		protection class II, protection insulation
	separately switchable		indirect diffuser		ETL Certified to UL and CSA Standards
	sensor		direct diffuser		UL Certified to UL and CSA Standards
	remote control		ball-proof (upon request)		CSA Certified to UL and CSA Standards
	available upon request		accessory		Certified for North American Standards

IP RATING

	protected against ingress of solid bodies greater than 12.5mm (finger)
	protected against ingress of solid bodies greater than 2.5mm protected against sprays of water up to 60 degrees from the vertical (rain)
	protected against ingress of solid bodies greater than 1mm (wire) no protection against the ingress of moisture
	protected against ingress of solid bodies greater than 1mm (wire) protected against sprays of water up to 60 degrees from the vertical (rain)
	protected against ingress of solid bodies greater than 1mm (wire) protected against water splashed from all directions
	protected against limited ingress of dust (wet rooms/covered outdoor areas) protected against water splashed from all directions
	protected against ingress of dust protected against jets of water
	protected against ingress of dust protected against powerful jets of water or heavy seas
	protected against ingress of dust protected against immersion of water between 15cm - 1m for 30 minutes
	protected against ingress of dust protected against immersion of water under pressure for long periods

IK RATING

	protected against 0.14 joules impact (equivalent to 0.25kg mass dropped from 56mm above the surface)
	protected against 0.2 joules impact (equivalent to 0.25kg mass dropped from 80mm above the surface)
	protected against 0.35 joules impact (equivalent to 0.25kg mass dropped from 140mm above the surface)
	protected against 0.5 joules impact (equivalent to 0.25kg mass dropped from 200mm above the surface)
	protected against 0.7 joules impact (equivalent to 0.25kg mass dropped from 280mm above the surface)
	protected against 1 joules impact (equivalent to 0.25kg mass dropped from 400mm above the surface)
	protected against 2 joules impact (equivalent to 0.5kg mass dropped from 400mm above the surface)
	protected against 5 joules impact (equivalent to 1.7kg mass dropped from 300mm above the surface)
	protected against 10 joules impact (equivalent to 5.0kg mass dropped from 200mm above the surface)
	protected against 20 joules impact (equivalent to 5.0kg mass dropped from 400mm above the surface)