

PROJECT	
TYPE	
NOTES	
QUANTITY	
DATE	

A3GRS-TRI-SYS COMPONENTS TRIMLESS

A36600-

DESCRIPTION

Groove System - Trimless Profile per Meter - Max 3,00mm / 118 1/8"

GENERAL

Series: Groove
 Brand: Prolicht
 Division: Architectural
 Mounting Type: Trimless
 Mounting Location: Ceiling

PHYSICAL

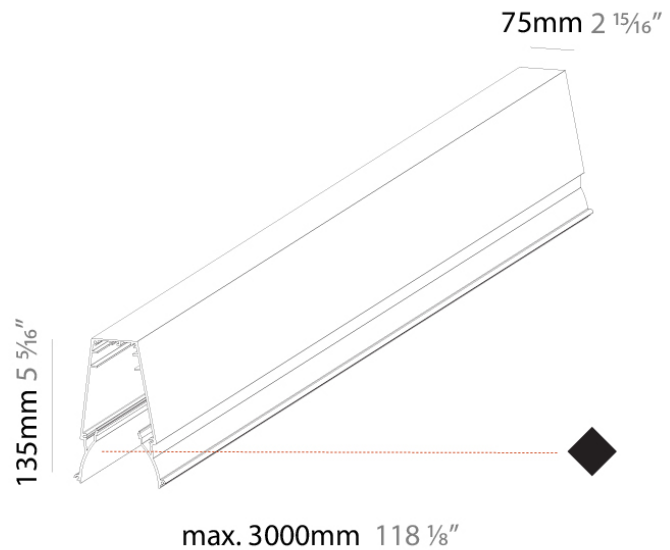
Shape: Oblong
 Length (mm): 1000
 Length (in): 39 3/8
 Width (mm): 89
 Width (in): 3 1/2
 Height (mm): 135
 Height (in): 5 5/16
 Weight (kg): 2.3
 Weight (lbs): 5.07
 Fixture Finish: SSR / BKV / CWI / CRY / HAB / UFT / ITA / RUA / FTG / MYG / LOD / PUS / FRO / FUP / KIA / POP / BLS / SPG / MEY / GOH / GUM / CHC / COM / ABZ / JAG / OBR / MOS / ROR
 Fixture Material: Aluminum

LED

CRI: >90 CRI

RATINGS AND CERTIFICATIONS

Certified By: Certified for North American Standards
 IP rating: IP20



PROJECT
TYPE
NOTES
QUANTITY
DATE

A3GRS-TRI-SYS COMPONENTS

A38524-

DESCRIPTION

Grooline Recessed Light Insert for Groove System - 1140mm / 44 7/8" - 20.2W / 12.8W [O/P] (3500K) - LED (Zhaga Standard) - 3000K / 3500K / 4000K

GENERAL

Series: Groove
 Brand: Prolicht
 Division: Architectural
 Mounting Location: Ceiling
 Subcategory: Profile

PHYSICAL

Shape: Rectangle
 Length (mm): 1140
 Length (in): 44 7/8
 Width (mm): 36
 Width (in): 1 7/16
 Height (mm): 37
 Height (in): 1 7/16
 Light Distribution: Direct
 Weight (kg): 1.218
 Weight (lbs): 2.69
 Diffuser: PMMA - Opal
 Fixture Material: Metal

ELECTRICAL

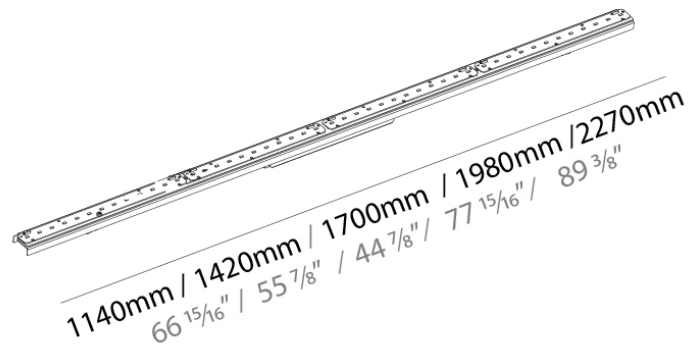
Input Wattage Range: 20 - 29 W
 Lamp Type: LED (Zhaga Standard)
 Input Wattage (W): 20.2
 Total Output Wattage (W): 16 / 12.8 (3500K)
 Dimming: 0-10V Dimming / Phase Dimming (120Vac Only)
 Driver Included: Yes
 Driver Location: Integrated
 Driver Type: Constant Current - Universal
 Driver Class: Class 2
 Input Voltage (V): 120 - 277
 Constant Current (mA): 350 / 400 (3500K)

LED

Color Temperature (°K): 3000 / 3500 / 4000
 Max. Delivered Lumen (lm): 1370 / 1421 / 1450
 Nominal Lumen (lm): 2840 / 2940 / 3000
 CRI: >90 CRI
 Lamp Life (hrs): 50000

RATINGS AND CERTIFICATIONS

Certified By: Certified for North American Standards
 IP rating: IP20



PROJECT
TYPE
NOTES
QUANTITY
DATE

A3GRS-TRI-SYS COMPONENTS

A38526-

DESCRIPTION

Grooline Recessed Light Insert for Groove System - 1420mm / 55 7/8" - 25W / 20W [O/P] (3500K) - LED (Zhaga Standard) - 3000K / 3500K / 4000K

GENERAL

Series: Groove
 Brand: Prolicht
 Division: Architectural
 Mounting Location: Ceiling

PHYSICAL

Shape: Rectangle
 Length (mm): 1420
 Length (in): 55 7/8
 Width (mm): 36
 Width (in): 1 1/6
 Height (mm): 37
 Height (in): 1 7/16
 Light Distribution: Direct
 Weight (kg): 1.454
 Weight (lbs): 3.21
 Diffuser: PMMA - Opal
 Fixture Material: Metal

ELECTRICAL

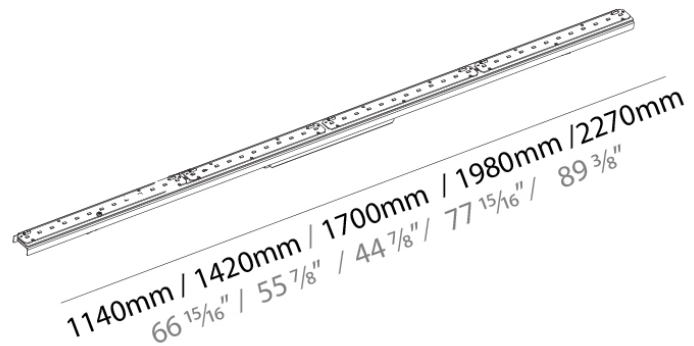
Input Wattage Range: 20 - 29 W
 Lamp Type: LED (Zhaga Standard)
 Input Wattage (W): 25.3
 Total Output Wattage (W): 20 / 16 (3500K)
 Dimming: 0-10V Dimming / Phase Dimming (120Vac Only)
 Driver Included: Yes
 Driver Location: Integrated
 Driver Type: Constant Current - Universal
 Driver Class: Class 2
 Input Voltage (V): 120 - 277
 Constant Current (MA): 350 / 500 (3500K)

LED

Color Temperature (°K): 3000 / 3500 / 4000
 Max. Delivered Lumen (lm): 1710 / 1774 / 1810
 Nominal Lumen (lm): 3550 / 3675 / 3750
 CRI: >90 CRI
 Lamp Life (hrs): 50000

RATINGS AND CERTIFICATIONS

Certified By: Certified for North American Standards
 IP rating: IP20



PROJECT
TYPE
NOTES
QUANTITY
DATE

A3GRS-TRI-SYS COMPONENTS

A38528-

DESCRIPTION

Grooline Recessed Light Insert for Groove System - 1700mm / 66 15/16" - 30.4W / 19.2W [O/P] (3500K) - LED (Zhaga Standard) - 3000K / 3500K / 4000K

GENERAL

Series: Groove
 Brand: Prolicht
 Division: Architectural
 Mounting Location: Ceiling
 Subcategory: Profile

PHYSICAL

Shape: Rectangle
 Length (mm): 1700
 Length (in): 66 15/16
 Width (mm): 36
 Width (in): 1 7/16
 Height (mm): 37
 Height (in): 1 7/16
 Light Distribution: Direct
 Weight (kg): 1.688
 Weight (lbs): 3.72
 Diffuser: PMMA - Opal
 Fixture Material: Metal

ELECTRICAL

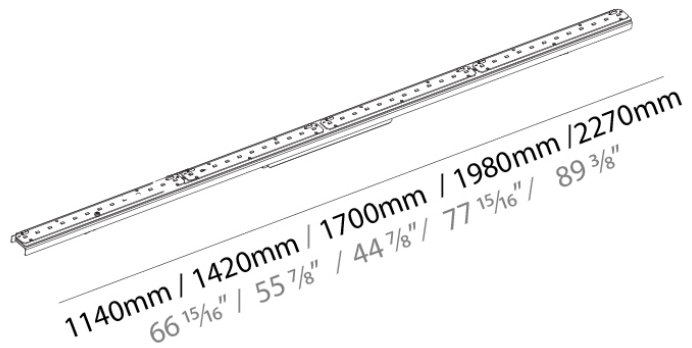
Input Wattage Range: 30 - 49 W
 Lamp Type: LED (Zhaga Standard)
 Input Wattage (W): 30.4
 Total Output Wattage (W): 24 / 19.2 (3500K)
 Dimming: 0-10V Dimming / Phase Dimming (120Vac Only)
 Driver Included: Yes
 Driver Location: Integrated
 Driver Type: Constant Current - 120 / 277Vac
 Driver Class: Class 2
 Input Voltage (V): 120 - 277
 Constant Current (mA): 350 / 600 (3500K)

LED

Color Temperature (°K): 3000 / 3500 / 4000
 Max. Delivered Lumen (lm): 2050 / 2127 / 2170
 Nominal Lumen (lm): 4260 / 4410 / 4500
 CRI: >90 CRI
 Lamp Life (hrs): 50000

RATINGS AND CERTIFICATIONS

Certified By: Certified for North American Standards
 IP rating: IP20



PROJECT
TYPE
NOTES
QUANTITY
DATE

A3GRS-TRI-SYS COMPONENTS

A38530-

DESCRIPTION

Grooline Recessed Light Insert for Groove System - 1980mm / 77 15/16" - 35W / 22.4 [O/P] (3500K) - LED (Zhaga Standard) - 3000K / 3500K / 4000K

GENERAL

Series: Groove
 Brand: Prolicht
 Division: Architectural
 Mounting Location: Ceiling
 Subcategory: Profile

PHYSICAL

Shape: Rectangle
 Length (mm): 1980
 Length (in): 77 15/16
 Width (mm): 36
 Width (in): 1 7/16
 Height (mm): 37
 Height (in): 1 7/16
 Light Distribution: Direct
 Weight (kg): 1.922
 Weight (lbs): 4.24
 Diffuser: PMMA - Opal
 Fixture Material: Metal

ELECTRICAL

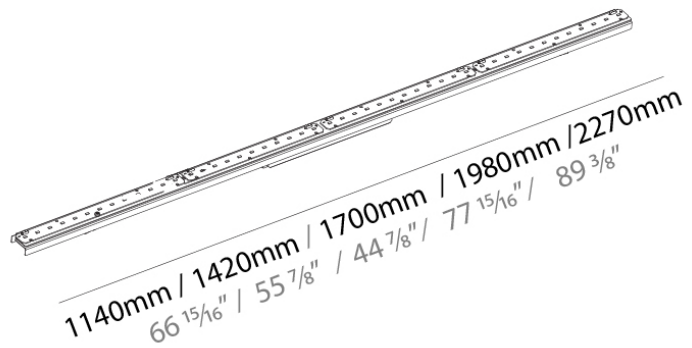
Input Wattage Range: 30 - 49 W
 Lamp Type: LED (Zhaga Standard)
 Input Wattage (W): 35.4
 Total Output Wattage (W): 28 / 22.4 (35000K)
 Dimming: 0-10V Dimming / Phase Dimming (120Vac Only)
 Driver Included: Yes
 Driver Location: Integrated
 Driver Type: Constant Current - 120 / 277Vac
 Driver Class: Class 2
 Input Voltage (V): 120 - 277
 Constant Current (MA): 350 / 700 (3500K)

LED

Color Temperature (°K): 3000 / 3500 / 4000
 Max. Delivered Lumen (lm): 2400 / 2479 / 2530
 Nominal Lumen (lm): 4970 / 5125 / 5250
 CRI: >90 CRI
 Lamp Life (hrs): 50000

RATINGS AND CERTIFICATIONS

Certified By: Certified for North American Standards
 IP rating: IP20



PROJECT
TYPE
NOTES
QUANTITY
DATE

A3GRS-TRI-SYS COMPONENTS

A38532-

DESCRIPTION

Grooline Recessed Light Insert for Groove System - 2270mm / 89 3/8" - 40W / 25.6W [O/P] (3500K) - LED (Zhaga Standard) - 3000K / 3500K / 4000K

GENERAL

Series: Groove
 Brand: Prolicht
 Division: Architectural
 Mounting Location: Ceiling
 Subcategory: Profile

PHYSICAL

Shape: Rectangle
 Length (mm): 2270
 Length (in): 89 3/8
 Width (mm): 36
 Width (in): 1 7/16
 Height (mm): 37
 Height (in): 1 7/16
 Light Distribution: Direct
 Weight (kg): 2.193
 Weight (lbs): 4.84
 Diffuser: PMMA - Opal
 Fixture Material: Metal

ELECTRICAL

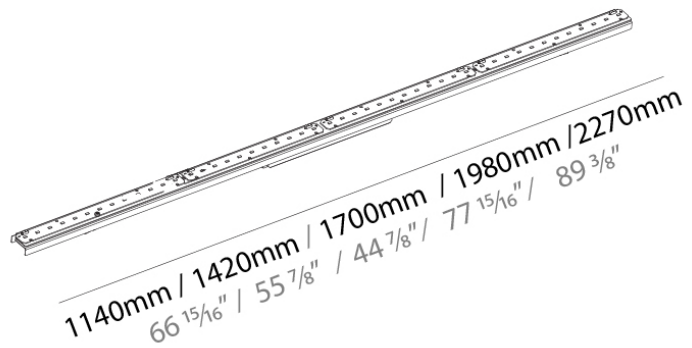
Input Wattage Range: 30 - 49 W
 Lamp Type: LED (Zhaga Standard)
 Input Wattage (W): 40.5
 Total Output Wattage (W): 32 / 25.6 (3500K)
 Dimming: 0-10V Dimming / Phase Dimming (120Vac Only)
 Driver Included: Yes
 Driver Location: Integrated
 Driver Type: Constant Current - 120 / 277Vac
 Driver Class: Class 2
 Input Voltage (V): 120 - 277
 Constant Current (mA): 350 / 800 (3500K)

LED

Color Temperature (°K): 3000 / 3500 / 4000
 Max. Delivered Lumen (lm): 2740 / 2832 / 2890
 Nominal Lumen (lm): 5680 / 5880 / 6000
 CRI: >90 CRI
 Lamp Life (hrs): 50000

RATINGS AND CERTIFICATIONS

Certified By: Certified for North American Standards
 IP rating: IP20



A3GRS-TRI-SYS COMPONENTS

A39627-

DESCRIPTION

Groove - Mounting Bracket - indicate ceiling thickness - 10mm / 12.5mm / 15mm

GENERAL

Series: Groove _____
 Brand: Prolicht _____
 Division: Architectural _____

PHYSICAL

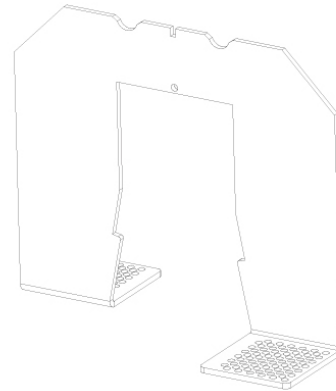
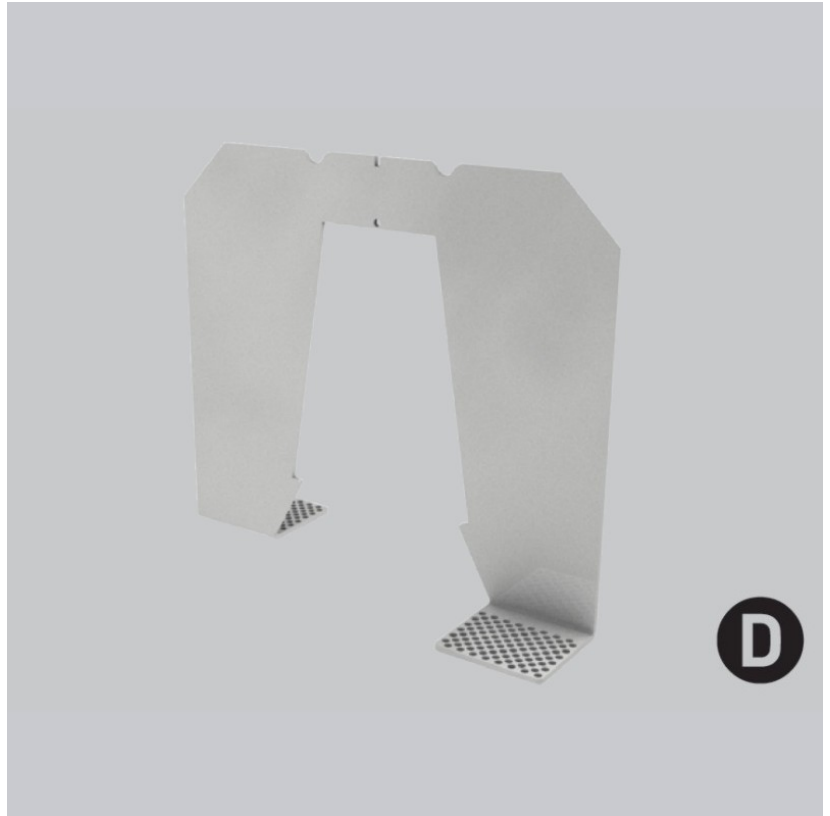
Length (mm): 169 _____
 Length (in): 6 ⁵/₈ _____
 Width (mm): 68 _____
 Width (in): 2 ¹¹/₁₆ _____
 Height (mm): 145 _____
 Height (in): 5 ¹¹/₁₆ _____
 Ceiling Thickness (mm): 10 / 12.5 / 15 _____
 Ceiling Thickness (in): 3/8 or 1/2 or 9/16 _____
 Weight (kg): 0.2 _____
 Weight (lbs): 0.44 _____
 Fixture Material: Aluminum _____

LED

CRI: >90 CRI _____

RATINGS AND CERTIFICATIONS

Certified By: Certified for North American Standards _____
 IP rating: IP20 _____



distance=max. 1000mm 39 ³/₈"



A3GRS-TRI-SYS COMPONENTS

A3962800

DESCRIPTION

Groove System - Frame Alignment Kit

GENERAL

Series: Groove

Brand: Prolicht

Division: Architectural

PHYSICAL

Length (mm): 92

Length (in): $3 \frac{5}{8}$

Width (mm): 112

Width (in): $4 \frac{7}{16}$

Height (mm): 235

Height (in): $9 \frac{1}{4}$

Weight (kg): 0.91

Weight (lbs): 2

Fixture Material: Aluminum

LED

CRI: >90 CRI

RATINGS AND CERTIFICATIONS

Certified By: Certified for North American Standards

IP rating: IP20

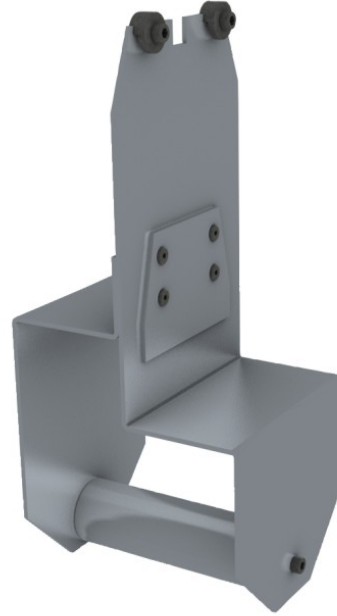
PROJECT

TYPE

NOTES

QUANTITY

DATE



A3GRS-TRI-SYS COMPONENTS

A3962900

DESCRIPTION

Groove System - Trimless Linear Coupler

GENERAL

Series: Groove

Brand: Prolicht

Division: Architectural

PHYSICAL

Shape: Rectangle

Length (mm): 80

Length (in): 3 1/8

Width (mm): 8

Width (in): 5/16

Height (mm): 2

Height (in): 1/16

Weight (kg): 0.01

Weight (lbs): 0.22

Fixture Material: Aluminum

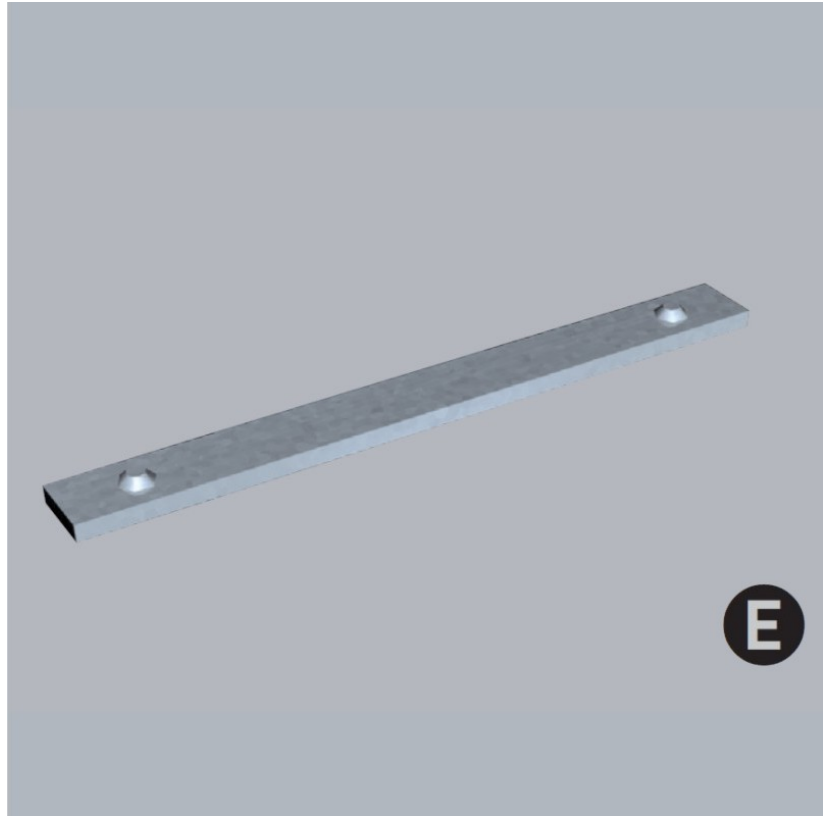
LED

CRI: >90 CRI

RATINGS AND CERTIFICATIONS

Certified By: Certified for North American Standards

IP rating: IP20



A3GRS-TRI-SYS COMPONENTS

A3964300

DESCRIPTION

Groove System - Surface/Suspension / Idaho 40 Trimless System - Flat Opal Diffuser Per Meter - Max 3,000mm / 118 1/8"

GENERAL

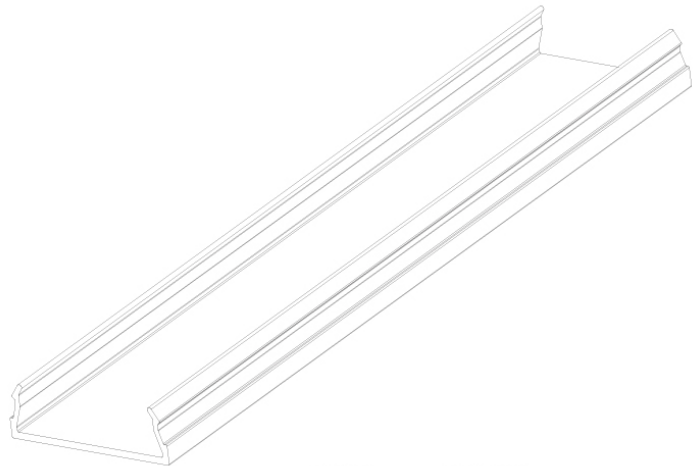
Series: Groove _____
Brand: Prolicht _____
Division: Architectural _____

PHYSICAL

Shape: Rectangle _____
Length (mm): 1000 _____
Length (in): 39 3/8 _____
Width (mm): 42 _____
Width (in): 1 5/8 _____
Height (mm): 14 _____
Height (in): 9/16 _____
Weight (kg): 0.13 _____
Weight (lbs): 0.287 _____
Diffuser: PMMA - Opal _____

RATINGS AND CERTIFICATIONS

Certified By: Certified for North American Standards _____
IP rating: IP20 _____



max. 3000mm 118 1/8"



A3GRS-TRI-SYS COMPONENTS

A39914-

DESCRIPTION

Groove System - Trimless Round End Cap

GENERAL

Series: Groove
 Brand: Prolicht
 Division: Architectural
 Mounting Location: Ceiling
 Subcategory: Profile

PHYSICAL

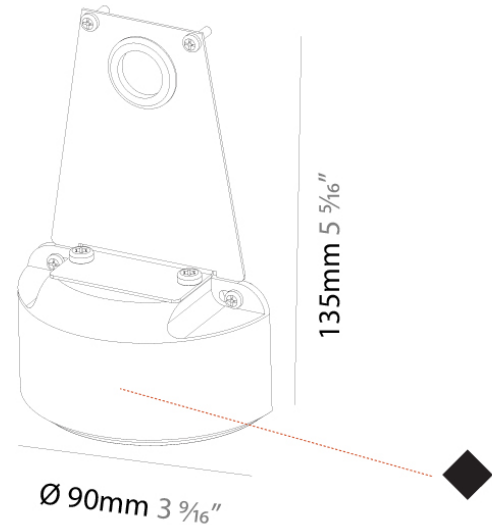
Shape: Round
 Length (mm): 90
 Length (in): 3 ⁹/₁₆
 Width (mm): 42
 Width (in): 1 ⁵/₈
 Height (mm): 135
 Height (in): 5 ⁵/₁₆
 Weight (kg): 0.218
 Weight (lbs): 0.48
 Fixture Finish: SSR / BKV / CWI / CRY / HAB / UFT / ITA / RUA / FTG / MYG / LOD / PUS / FRO / FUP / KIA / POP / BLS / SPG / MEY / GOH / GUM / CHC / COM / ABZ / JAG / OBR / MOS / ROR
 Fixture Material: Aluminum

LED

CRI: >90 CRI

RATINGS AND CERTIFICATIONS

Certified By: Certified for North American Standards
 IP rating: IP20



D = 88



A3GRS-TRI-SYS COMPONENTS

A39916-

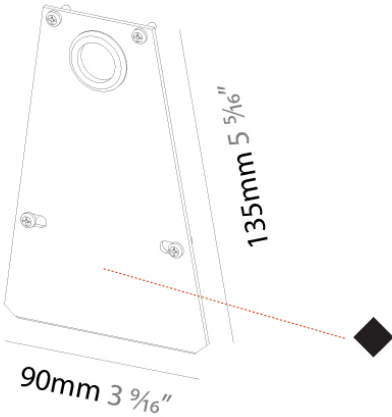
DESCRIPTION
 Groove System - Trimless Flat End Cap

GENERAL
 Series: Groove
 Brand: Prolicht
 Division: Architectural
 Mounting Location: Ceiling
 Subcategory: Profile

PHYSICAL
 Length (mm): 90
 Length (in): 3 5/16
 Width (mm): 2
 Width (in): 1/16
 Height (mm): 135
 Height (in): 5 5/16
 Weight (kg): 0.054
 Weight (lbs): 0.119
 Fixture Material: Aluminum

LED
 CRI: >90 CRI

RATINGS AND CERTIFICATIONS
 Certified By: Certified for North American Standards
 IP rating: IP20



D = 10



A3GRS-TRI-SYS COMPONENTS

A3993000

DESCRIPTION

Groove System - Surface/Suspension Curved Opal Diffuser Per Meter - Max 3,000mm / 118 1/8"

GENERAL

Series: Groove _____

Brand: Prolicht _____

Division: Architectural _____

Mounting Location: Ceiling _____

Subcategory: Profile _____

PHYSICAL

Shape: Rectangle _____

Length (mm): 1000 _____

Length (in): 39 3/8 _____

Width (mm): 42 _____

Width (in): 1 5/8 _____

Height (mm): 14 _____

Height (in): 9/16 _____

Weight (kg): 0.2 _____

Weight (lbs): 0.44 _____

Diffuser: Opal - PMMA _____

RATINGS AND CERTIFICATIONS

Certified By: CSA Certified to UL and CSA Standards _____

IP rating: IP20 _____



max. 3000mm 118 1/8"



PROJECT
TYPE
NOTES
QUANTITY
DATE

A3GRS-TRI-SYS COMPONENTS

A39931-

DESCRIPTION

Groove System - Cap Profile per Meter - Max 3,000mm / 118 1/8"

GENERAL

Series: Groove
 Brand: Prolicht
 Division: Architectural
 Mounting Location: Ceiling
 Subcategory: Profile

PHYSICAL

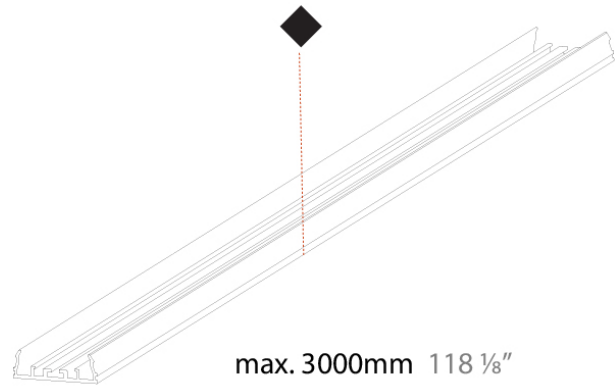
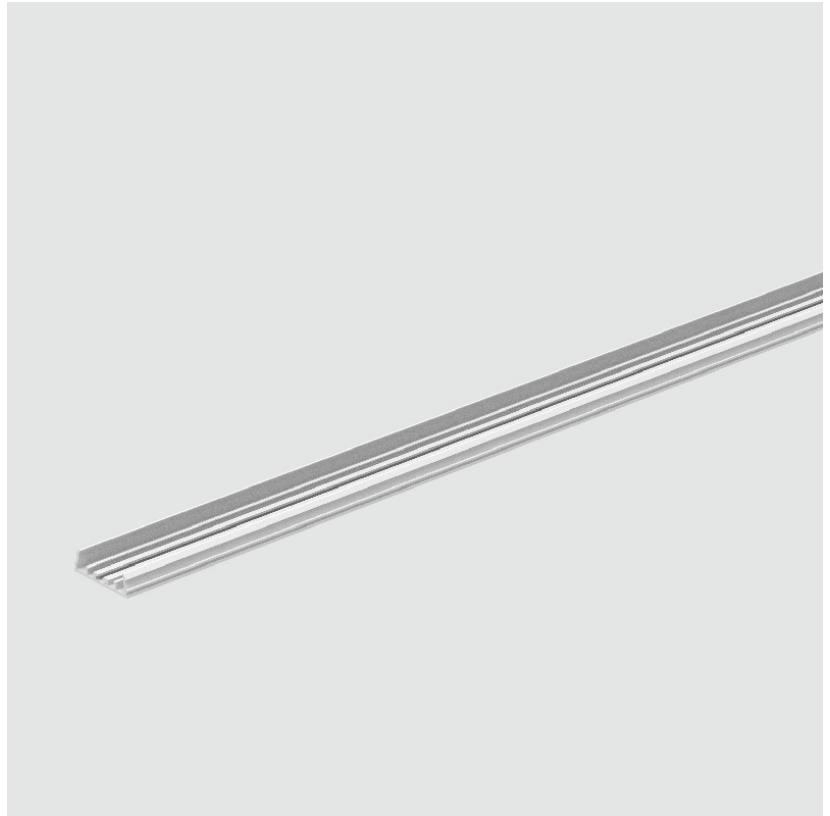
Shape: Rectangle
 Length (mm): 1000
 Length (in): 39 3/8
 Width (mm): 42
 Width (in): 1 5/8
 Height (mm): 14
 Height (in): 9/16
 Weight (kg): 0.37
 Weight (lbs): 0.82
 Fixture Finish: SSR / BKV / CWI / CRY / HAB / UFT / ITA / RUA / FTG / MYG / LOD / PUS / FRO / FUP / KIA / POP / BLS / SPG / MEY / GOH / GUM / CHC / COM / ABZ / JAG / OBR / MOS / ROR
 Fixture Material: Aluminum

LED

CRI: >90 CRI

RATINGS AND CERTIFICATIONS











Certified By: Certified for North American Standards
 IP rating: IP20













LEGEND

 floor-mounted	 pivotable	 special LED (upon request) RGB, RGBW, tunable, gold+, meat+, art+, fashion+
 wall and ceiling: recessed and surface mounted	 rotating	 warm dim / natural dimming LED
 ceiling-mounted and wall-mounted	 illuminate tilted	 rechargeable battery powered
 wall-mounted	 color of suspension cable	 fixture with natural vivid LED (upon request)
 omni-directional light distribution	 length of suspension cable	 color rendering index
 direct light distribution	 reflector degree selection	 color temperature
 direct/indirect light distribution	 super spot	 lumen (luminous flux)
 indirect light distribution	 lens	 efficacy (lumens per watt)
 asymmetric light distribution	 lens pack	 Unified Glare Rating (UGR) range from 5-40
 aura light distribution	 shine ring	 marine grade (AISI 316 stainless steel)
 round wall or ceiling cut-out	 integrated shine ring with diffuser	 walk on
 square wall or ceiling cut-out	 free individual colors 01-29	 drive on
 the supplied jig specifies the cutout dimensions	 individual colors: 00 (free of charge), 01-25 (extra charge)	 Dark Sky Compliance
 minimum distance (meters) lamp - object	 luminaire part to be colored (F1)	 Americans with Disabilities Act (less than 4" off the wall located between 27"-84" from floor)
 recessed depth	 luminaire part to be colored (F2)	 lamp protected against explosion
 ceiling thickness in mm	 luminaire part to be colored (F3)	 blown glass using traditional methods by master glass blower
 ceiling thickness selection	 luminaire part to be colored (F4)	 acoustic material
 dimmable DP (phase), DV (0-10V), DD (dali), DS (step-dim)	 luminaire part to be colored (F5)	 protection class I, protection insulation
 included or excluded LED driver/transformer/control gear	 color of 3-circuit adaptor	 protection class II, protection insulation
 separately switchable	 indirect diffuser	 ETL Certified to UL and CSA Standards
 sensor	 direct diffuser	 UL Certified to UL and CSA Standards
 remote control	 ball-proof (upon request)	 CSA Certified to UL and CSA Standards
 available upon request	 accessory	 Certified for North American Standards

IP RATING

 IP20	protected against ingress of solid bodies greater than 12.5mm (finger)
 IP33	protected against ingress of solid bodies greater than 2.5mm protected against sprays of water up to 60 degrees from the vertical (rain)
 IP40	protected against ingress of solid bodies greater than 1mm (wire) no protection against the ingress of moisture
 IP43	protected against ingress of solid bodies greater than 1mm (wire) protected against sprays of water up to 60 degrees from the vertical (rain)
 IP44	protected against ingress of solid bodies greater than 1mm (wire) protected against water splashed from all directions
 IP54	protected against limited ingress of dust (wet rooms/covered outdoor areas) protected against water splashed from all directions
 IP65	protected against ingress of dust protected against jets of water
 IP66	protected against ingress of dust protected against powerful jets of water or heavy seas
 IP67	protected against ingress of dust protected against immersion of water between 15cm - 1m for 30 minutes
 IP68	protected against ingress of dust protected against immersion of water under pressure for long periods

IK RATING

 IK01	protected against 0.14 joules impact (equivalent to 0.25kg mass dropped from 56mm above the surface)
 IK02	protected against 0.2 joules impact (equivalent to 0.25kg mass dropped from 80mm above the surface)
 IK03	protected against 0.35 joules impact (equivalent to 0.25kg mass dropped from 140mm above the surface)
 IK04	protected against 0.5 joules impact (equivalent to 0.25kg mass dropped from 200mm above the surface)
 IK05	protected against 0.7 joules impact (equivalent to 0.25kg mass dropped from 280mm above the surface)
 IK06	protected against 1 joules impact (equivalent to 0.25kg mass dropped from 400mm above the surface)
 IK07	protected against 2 joules impact (equivalent to 0.5kg mass dropped from 400mm above the surface)
 IK08	protected against 5 joules impact (equivalent to 1.7kg mass dropped from 300mm above the surface)
 IK09	protected against 10 joules impact (equivalent to 5.0kg mass dropped from 200mm above the surface)
 IK10	protected against 20 joules impact (equivalent to 5.0kg mass dropped from 400mm above the surface)