

PROJECT	
TYPE	
NOTES	
QUANTITY	
DATE	

## A3HY40-REC-SYS COMPONENTS RECESSED

### A35641-

#### DESCRIPTION

Idaho 40 / Hypro 40 - Recessed System Profile per meter - Max 3000mm / 118 1/8"

#### GENERAL

Series: Idaho  
 Subseries: Idaho 40  
 Partner: Prolight  
 Division: Architectural  
 Installation: Recessed  
 Product Type: Linear Profiles  
 Mounting Location: Ceiling

#### PHYSICAL

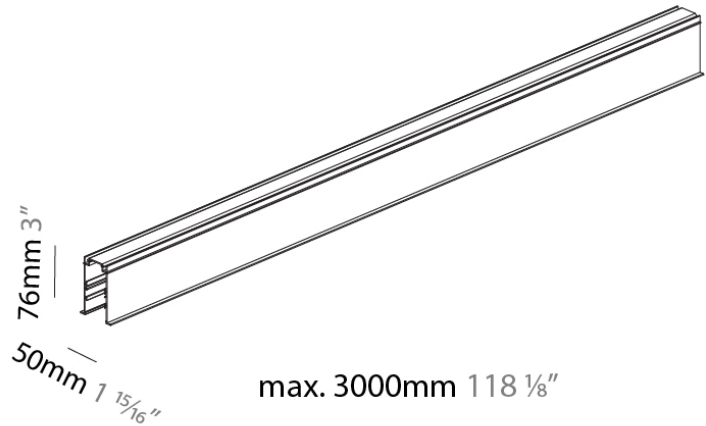
Shape: Rectangle  
 Length (mm): 100  
 Length (in): 39 3/8  
 Width (mm): 50  
 Width (in): 1 15/16  
 Height (mm): 76  
 Height (in): 3  
 Weight (kg): 1.017  
 Weight (lbs): 2.24  
 Fixture Finish: SSR / BKV / CWI / CRY / HAB / UFT / ITA / RUA / FTG / MYG / LOD / PUS / FRO / FUP / KIA / POP / BLS / SPG / MEY / GOH / CHC / COM / ABZ / JAG / OBR / MOS / ROR  
 Fixture Material: Aluminum

#### LED

Efficiency (%): 70% (8mm Perspex)

#### RATINGS AND CERTIFICATIONS

Certified By: Certified for North American Standards  
 IP rating: IP20



## A3HY40-REC-SYS COMPONENTS

PROJECT \_\_\_\_\_

TYPE \_\_\_\_\_

NOTES \_\_\_\_\_

QUANTITY \_\_\_\_\_

DATE \_\_\_\_\_

### A380114

#### DESCRIPTION

Idaho / Hypro 40 System - Per Meter - Opal Diffuser

#### GENERAL

Series: Hypro

Subseries: Hypro 40

Partner: Prolicht

Division: Architectural

#### PHYSICAL

Shape: Rectangle

Length (mm): Max. 3000

Length (in): Max. 118 1/9

Width (mm): 35

Width (in): 1 3/8

Height (mm): 28

Height (in): 1 1/8

Diffuser: PMMA - Opal Diffuser - Per Meter

Fixture Material: Aluminum

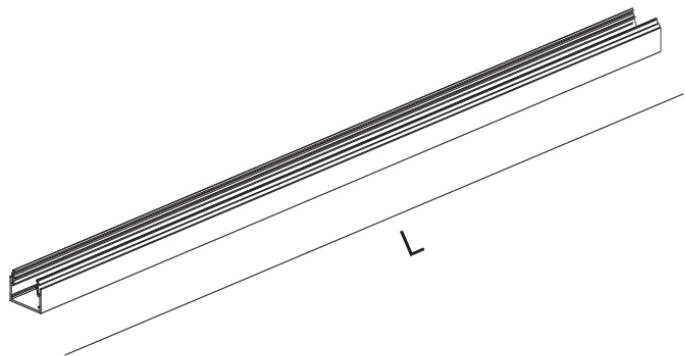
#### ELECTRICAL

Lamp Type: LED (Zhaga Standard)

#### RATINGS AND CERTIFICATIONS

Certified By: Certified for North American Standards

IP rating: IP20



PROJECT	_____
TYPE	_____
NOTES	_____
QUANTITY	_____
DATE	_____

## A3HY40-REC-SYS COMPONENTS

### A380115

#### DESCRIPTION

Idaho / Hypro 40 System - 1128mm - Opal Diffuser

#### GENERAL

Series: Hypro  
Subseries: Hypro 40  
Partner: Prolicht  
Division: Architectural

#### PHYSICAL

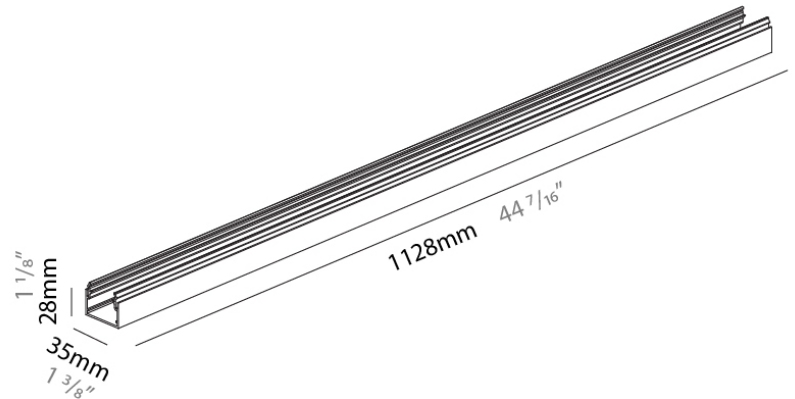
Shape: Rectangle  
Length (mm): 1128  
Length (in): 44 <sup>7</sup>/<sub>16</sub>  
Width (mm): 35  
Width (in): 1 <sup>3</sup>/<sub>8</sub>  
Height (mm): 28  
Height (in): 1 <sup>1</sup>/<sub>8</sub>  
Weight (kg): 0.221  
Weight (lbs): 0.49  
Diffuser: PMMA - Opal Diffuser - Per Meter  
Fixture Material: Aluminum

#### ELECTRICAL

Lamp Type: LED (Zhaga Standard)

#### RATINGS AND CERTIFICATIONS

Certified By: Certified for North American Standards  
IP rating: IP20



## A3HY40-REC-SYS COMPONENTS

### A380118

#### DESCRIPTION

Idaho 40 / Hypro 40 - Recessed System - Rico Cover - Per Meter - Transparent / Black

#### GENERAL

Series: Hypro \_\_\_\_\_  
Subseries: Hypro 40 \_\_\_\_\_  
Partner: Prolicht \_\_\_\_\_  
Division: Architectural \_\_\_\_\_

#### PHYSICAL

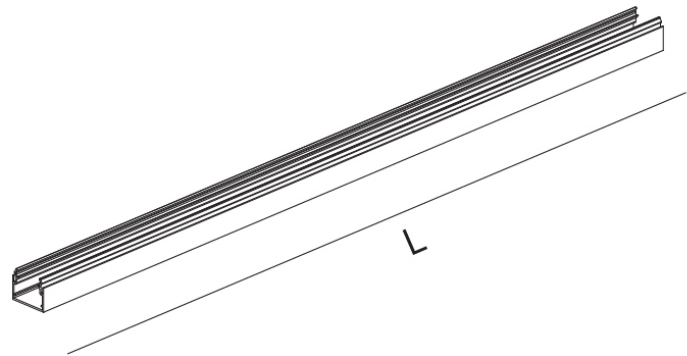
Shape: Rectangle \_\_\_\_\_  
Length (mm): Max. 3000mm \_\_\_\_\_  
Length (in): Max. 118 1/9 \_\_\_\_\_  
Width (mm): 29 \_\_\_\_\_  
Width (in): 1 3/4 \_\_\_\_\_  
Height (mm): 50 \_\_\_\_\_  
Height (in): 2 \_\_\_\_\_  
Weight (kg): 0.138 \_\_\_\_\_  
Weight (lbs): 0.304 \_\_\_\_\_  
Diffuser: PMMA - Transparent / Black \_\_\_\_\_  
Fixture Material: Aluminum \_\_\_\_\_

#### ELECTRICAL

Lamp Type: LED (Zhaga Standard) \_\_\_\_\_

#### RATINGS AND CERTIFICATIONS

Certified By: Certified for North American Standards \_\_\_\_\_  
IP rating: IP20 \_\_\_\_\_



PROJECT
TYPE
NOTES
QUANTITY
DATE

## A3HY40-REC-SYS COMPONENTS TRACK

### A380126-

#### DESCRIPTION

Magiq 8 Micro Dot - Hypro 40 Profile Recessed Insert - 650mm / 25 9/16" - 30.2W LED (Zhaga Standard) - 2700K / 3000K / 4000K - Lens - Optics 21° / 38°

#### GENERAL

Series: Magiq Micro Dot  
 Subseries: Magiq 8 Cell Micro-Dot  
 Partner: Prolight  
 Division: Architectural  
 Installation: Track

#### PHYSICAL

Shape: Rectangle  
 Length (mm): 840  
 Length (in): 33 1/16"  
 Width (mm): 35  
 Width (in): 1 3/8"  
 Height (mm): 72  
 Height (in): 2 13/16"  
 Fixture Finish: BLK  
 Fixture Material: Aluminum

#### ELECTRICAL

Input Wattage Range: 30 - 49 W  
 Lamp Type: LED (Zhaga Standard)  
 Input Wattage (W): 30.2  
 Total Output Wattage (W): 26.6  
 Dimming: Non-Dimmable / 0-10V Dimming  
 Driver Included: Yes  
 Driver Location: Integrated  
 Driver Type: Constant Current - Universal  
 Driver Class: Class 2  
 Input Voltage (V): 120 - 277  
 Constant Current (mA): 1050

#### LED

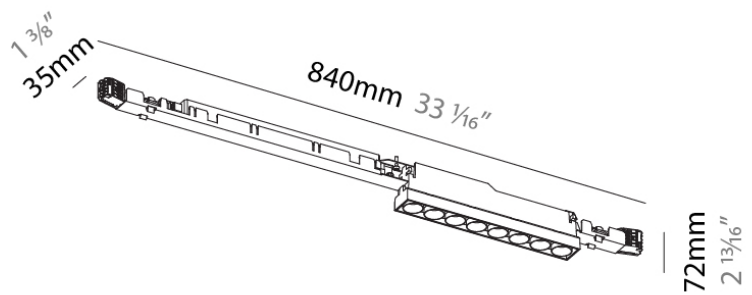
Delivered Lumen Range: 1000 - 1999 lm  
 Number of LEDs: 8  
 Color Temperature (°K): 2700 / 3000 / 3500 / 4000  
 Max. Delivered Lumen (lm): 1280 / 1384 / 1411 / 1440  
 CRI: >80 CRI  
 Lamp Life (hrs): 50000

#### OPTICAL

Optic°: 21 / 38

#### RATINGS AND CERTIFICATIONS

Certified By: Certified for North American Standards  
 IP rating: IP20



## A3HY40-REC-SYS COMPONENTS

### A380258-

#### DESCRIPTION

Hyline 40 - Linear Insert 705mm / 27 3/4" for HYPRO 40  
 Recessed: LED 17W Max. - CRI 90 - Non-Dimming / 0-10V  
 Dimming - 2700K / 3000K / 3500K / 4000K

#### GENERAL

Series: Hypro  
 Subseries: Hypro 40  
 Partner: Prolicht  
 Division: Architectural  
 Light Distribution: Direct

#### PHYSICAL

Shape: Rectangle  
 Length (mm): 705  
 Length (in): 27 3/4  
 Width (mm): 29  
 Width (in): 1 1/8  
 Height (mm): 50  
 Height (in): 1 15/16  
 Fixture Material: Metal

#### ELECTRICAL

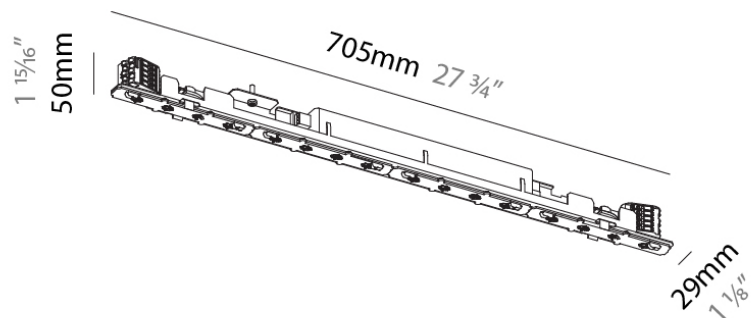
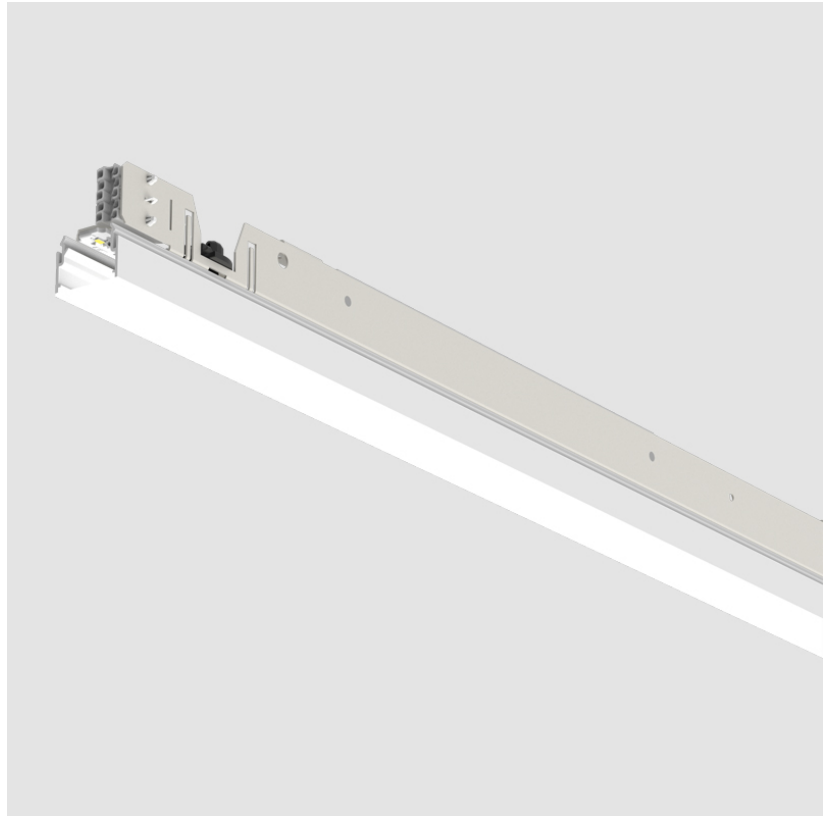
Input Wattage Range: 10 - 19 W  
 Lamp Type: LED (Zhaga Standard)  
 Input Wattage (W): 15.6  
 Total Output Wattage (W): 14.2  
 Dimming: Non-Dimmable / 0-10V Dimming  
 Driver Included: Yes  
 Driver Location: Integrated  
 Driver Type: Constant Current - Universal  
 Driver Class: Class 2  
 Input Voltage (V): 120 - 277  
 Constant Current (mA): 350

#### LED

Delivered Lumen Range: 1000 - 1999 lm  
 Color Temperature (°K): 2700 / 3000 / 3500 / 4000  
 Max. Delivered Lumen (lm): 1233 / 1281 / 1338 / 1365  
 Nominal Lumen (lm): 2028 / 2107 / 2199 / 2244  
 CRI: >90 CRI  
 Lamp Life (hrs): 50000

#### RATINGS AND CERTIFICATIONS

Certified By: Certified for North American Standards  
 IP rating: IP20



## A3HY40-REC-SYS COMPONENTS

### A380266-

#### DESCRIPTION

Hypline 40 - Linear Insert 1128mm / 44 7/16" for HYPRO 40  
 Recessed: LED 26.4W Max. - CRI 90 - Non-Dimming / 0-10V  
 Dimming - 2700K / 3000K / 3500K / 4000K

#### GENERAL

Series: Hypro  
 Subseries: Hypro 40  
 Partner: Prolicht  
 Division: Architectural  
 Light Distribution: Direct

#### PHYSICAL

Shape: Rectangle  
 Length (mm): 1128  
 Length (in): 44 7/16  
 Width (mm): 29  
 Width (in): 1 1/8  
 Height (mm): 50  
 Height (in): 1 15/16  
 Fixture Material: Metal

#### ELECTRICAL

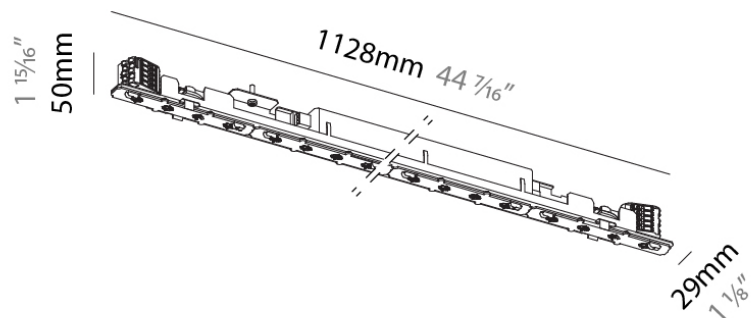
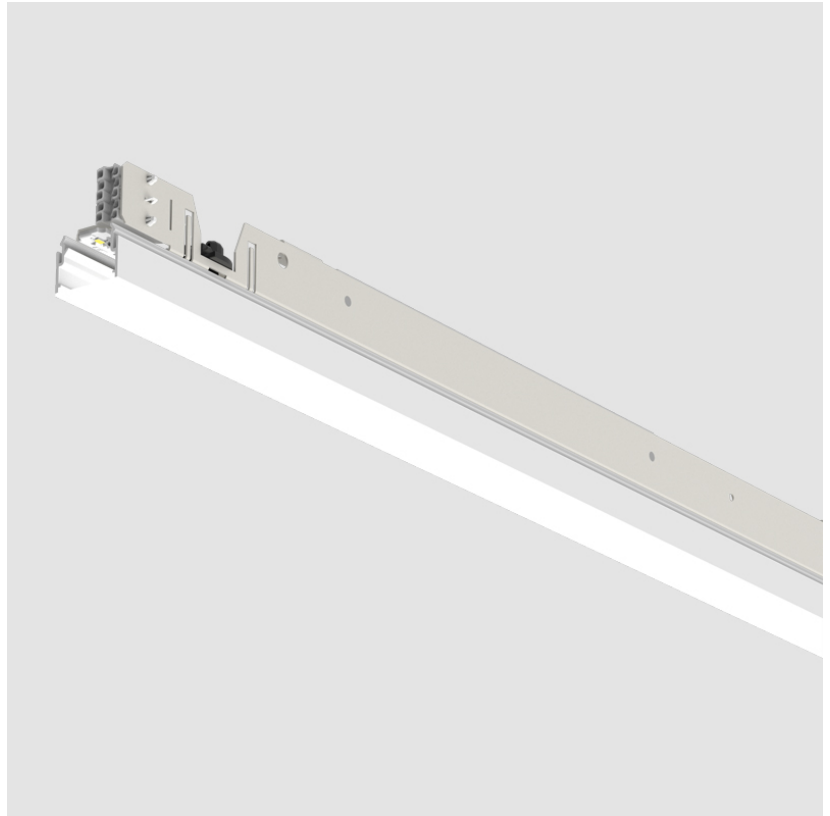
Input Wattage Range: 20 - 29 W  
 Lamp Type: LED (Zhaga Standard)  
 Input Wattage (W): 25.8  
 Total Output Wattage (W): 23.5  
 Dimming: Non-Dimmable / 0-10V Dimming  
 Driver Included: Yes  
 Driver Location: Integrated  
 Driver Type: Constant Current - Universal  
 Driver Class: Class 2  
 Input Voltage (V): 120 - 277  
 Constant Current (mA): 350

#### LED

Delivered Lumen Range: 1000 - 1999 lm  
 Color Temperature (°K): 2700 / 3000 / 3500 / 4000  
 Max. Delivered Lumen (lm): 1973 / 2050 / 2139 / 2183  
 Nominal Lumen (lm): 3245 / 3371 / 3519 / 3591  
 CRI: >90 CRI  
 Lamp Life (hrs): 50000

#### RATINGS AND CERTIFICATIONS

Certified By: Certified for North American Standards  
 IP rating: IP20



## A3HY40-REC-SYS COMPONENTS

### A380274-

#### DESCRIPTION

Hyline 40 - Linear Insert 1408mm / 55 7/16" for HYPRO 40  
 Recessed: LED 33W Max. - CRI 90 - Non-Dimming / 0-10V  
 Dimming - 2700K / 3000K / 3500K / 4000K

#### GENERAL

Series: Hypro  
 Subseries: Hypro 40  
 Partner: Prolicht  
 Division: Architectural  
 Light Distribution: Direct

#### PHYSICAL

Shape: Rectangle  
 Length (mm): 1408  
 Length (in): 55 7/16  
 Width (mm): 29  
 Width (in): 1 1/8  
 Height (mm): 50  
 Height (in): 1 15/16  
 Fixture Material: Metal

#### ELECTRICAL

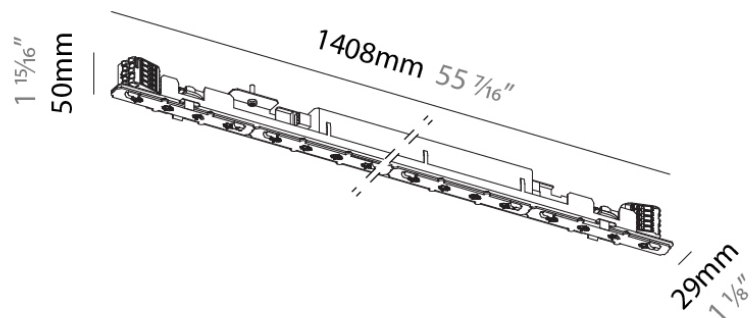
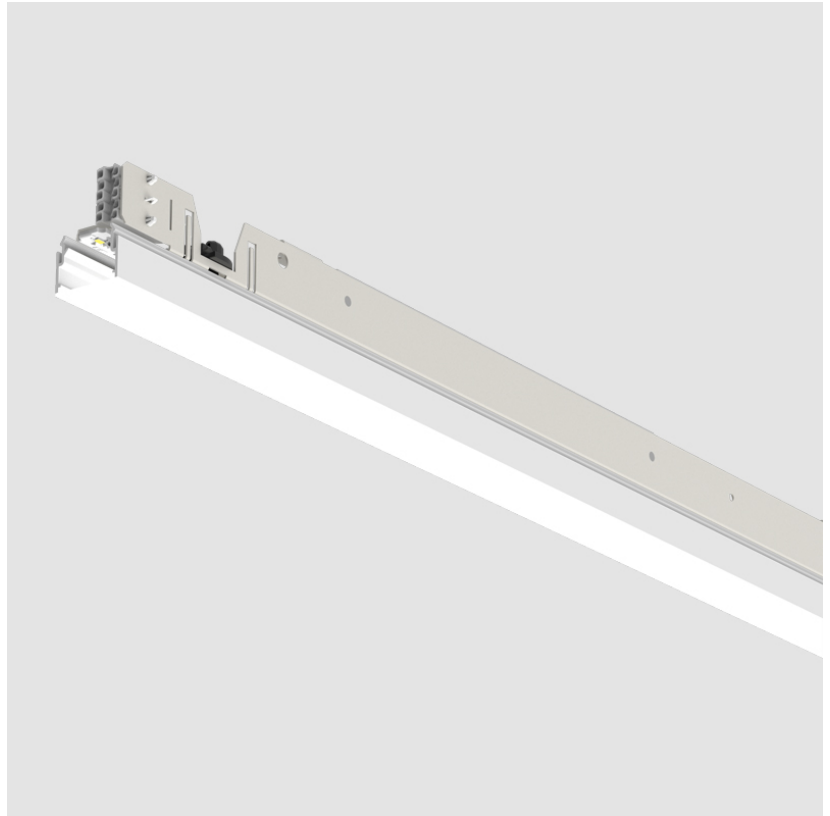
Input Wattage Range: 30 - 49 W  
 Lamp Type: LED (Zhaga Standard)  
 Input Wattage (W): 32.2  
 Total Output Wattage (W): 29.3  
 Dimming: Non-Dimmable / 0-10V Dimming  
 Driver Included: Yes  
 Driver Location: Integrated  
 Driver Type: Constant Current - Universal  
 Driver Class: Class 2  
 Input Voltage (V): 120 - 277  
 Constant Current (mA): 350

#### LED

Delivered Lumen Range: 2000 - 2999 lm  
 Color Temperature (°K): 2700 / 3000 / 3500 / 4000  
 Max. Delivered Lumen (lm): 2467 / 2562 / 2674 / 2729  
 Nominal Lumen (lm): 4057 / 4214 / 4399 / 4489  
 CRI: >90 CRI  
 Lamp Life (hrs): 50000

#### RATINGS AND CERTIFICATIONS

Certified By: Certified for North American Standards  
 IP rating: IP20



PROJECT
TYPE
NOTES
QUANTITY
DATE

## A3HY40-REC-SYS COMPONENTS

### A380282-

#### DESCRIPTION

Oiko Pro In - Ø65mm / 2-1/2" Track Spot LED Insert for Hypro 40 Recessed: 20W, Max. 2700K / 3000K / 3500K / 4000K, CRI90, 34°, Non-Dimming / 0-10V Dimming

#### GENERAL

Series: Oiko Pro  
 Subseries: Oiko Pro In  
 Partner: Prolicht  
 Division: Architectural  
 Light Distribution: Direct

#### PHYSICAL

Aperture Sizes - Downlights: 1"  
 Shape: Cylinder  
 Length (mm): 482  
 Length (in): 19  
 Width (mm): 65  
 Width (in): 2 5/16  
 Height (mm): 177  
 Height (in): 6 15/16  
 Weight (kg): 0.661  
 Fixture Finish: SSR / BKV / CWI / CRY / HAB / UFT / ITA / RUA / FTG / MYG / LOD / PUS / FRO / FUP / KIA / POP / BLS / SPG / MEY / GOH / CHC / COM / ABZ / JAG / OBR / MOS / ROR  
 Fixture Material: Metal

#### ELECTRICAL

Input Wattage Range: 10 - 19 W  
 Lamp Type: LED (Zhaga Standard)  
 Input Wattage (W): 19.9  
 Total Output Wattage (W): 18.1  
 Dimming: Non-Dimmable / 0-10V Dimming  
 Driver Included: Yes  
 Driver Location: Integrated  
 Driver Type: Constant Current - Universal  
 Driver Class: Class 2  
 Input Voltage (V): 120 - 277  
 Constant Current (mA): 500

#### LED

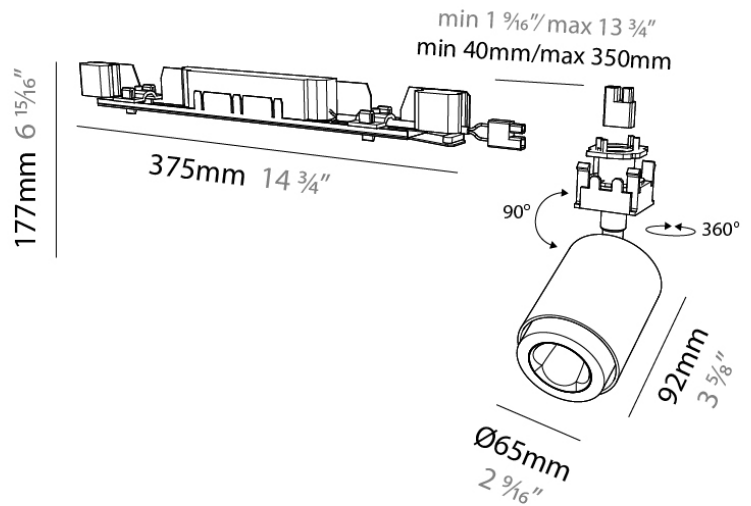
Delivered Lumen Range: 1000 - 1999 lm  
 Color Temperature (°K): 2700 / 3000 / 3500 / 4000  
 Max. Delivered Lumen (lm): 1410 / 1517 / 1571 / 1603  
 Nominal Lumen (lm): 1905 / 2050 / 2123 / 2166  
 CRI: >90 CRI  
 Lamp Life (hrs): 50000

#### OPTICAL

Beam Angle: 34  
 Adjustability: Rotational 350°; Tilt 90°

#### RATINGS AND CERTIFICATIONS

Certified By: Certified for North American Standards  
 IP rating: IP20



PROJECT
TYPE
NOTES
QUANTITY
DATE

## A3HY40-REC-SYS COMPONENTS

### A380283-

#### DESCRIPTION

Oiko Pro In - Ø65mm / 2-1/2" Track Spot LED Insert for Hypro 40 Recessed: TW 2700K-6500K, 15W, Max. 1081lm, CRI90, 36°, DALI Dimming

#### GENERAL

Series: Oiko Pro  
 Subseries: Oiko Pro In  
 Partner: Prolicht  
 Division: Architectural  
 Light Distribution: Direct

#### PHYSICAL

Aperture Sizes - Downlights: 1"  
 Shape: Cylinder  
 Length (mm): 700  
 Length (in): 27 <sup>9</sup>/<sub>16</sub>"  
 Width (mm): 65  
 Width (in): 2 <sup>9</sup>/<sub>16</sub>"  
 Height (mm): 177  
 Height (in): 6 <sup>15</sup>/<sub>16</sub>"  
 Weight (kg): 0.661

Fixture Finish: SSR / BKV / CWI / CRY / HAB / UFT / ITA / RUA / FTG / MYG / LOD / PUS / FRO / FUP / KIA / POP / BLS / SPG / MEY / GOH / CHC / COM / ABZ / JAG / OBR / MOS / ROR

Fixture Material: Metal

#### ELECTRICAL

Input Wattage Range: 10 - 19 W  
 Lamp Type: LED (Zhaga Standard)  
 Input Wattage (W): 14  
 Total Output Wattage (W): 12.7  
 Dimming: Dali Dimming  
 Driver Included: Yes  
 Driver Location: Integrated  
 Driver Type: Constant Current - Universal  
 Driver Class: Class 2  
 Input Voltage (V): 120 - 277

#### LED

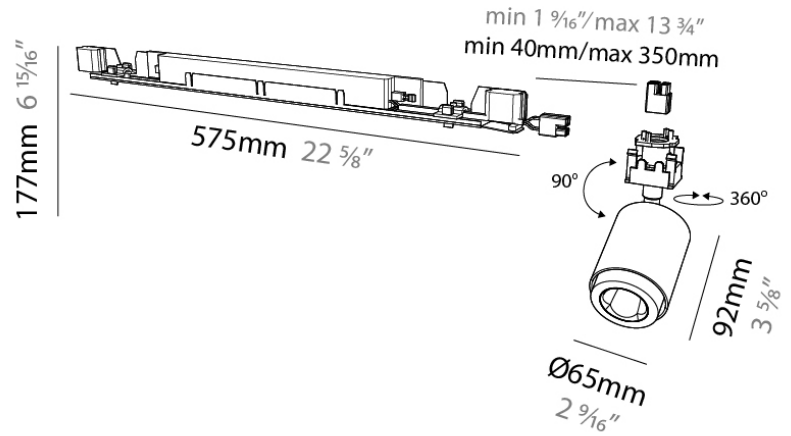
Delivered Lumen Range: 500 - 1999 lm  
 Color Temperature (°K): 2700-6500 Tunable White  
 Max. Delivered Lumen (lm): 919 - 1081  
 CRI: >90 CRI  
 Lamp Life (hrs): 50000

#### OPTICAL

Beam Angle: 36  
 Adjustability: Rotational 350°; Tilt 90°

#### RATINGS AND CERTIFICATIONS

Certified By: Certified for North American Standards  
 IP rating: IP20



PROJECT	
TYPE	
NOTES	
QUANTITY	
DATE	

## A3HY40-REC-SYS COMPONENTS

### A380284-

#### DESCRIPTION

Oiko Pro In - Ø65mm / 2-1/2" Track Spot LED Insert for Hypro 40 Recessed: 20W, Max. 2700K / 3000K / 3500K / 4000K, CRI90, 50°, Non-Dimming / 0-10V Dimming

#### GENERAL

Series: Oiko Pro  
 Subseries: Oiko Pro In  
 Partner: Prolicht  
 Division: Architectural  
 Light Distribution: Direct

#### PHYSICAL

Aperture Sizes - Downlights: 1"  
 Shape: Cylinder  
 Length (mm): 482  
 Length (in): 19  
 Width (mm): 65  
 Width (in): 2 5/16  
 Height (mm): 166  
 Height (in): 6 9/16  
 Weight (kg): 0.661  
 Fixture Finish: SSR / BKV / CWI / CRY / HAB / UFT / ITA / RUA / FTG / MYG / LOD / PUS / FRO / FUP / KIA / POP / BLS / SPG / MEY / GOH / CHC / COM / ABZ / JAG / OBR / MOS / ROR  
 Fixture Material: Metal

#### ELECTRICAL

Input Wattage Range: 10 - 19 W  
 Lamp Type: LED (Zhaga Standard)  
 Input Wattage (W): 19.9  
 Total Output Wattage (W): 18.1  
 Dimming: Non-Dimmable / 0-10V Dimming  
 Driver Included: Yes  
 Driver Location: Integrated  
 Driver Type: Constant Current - Universal  
 Driver Class: Class 2  
 Input Voltage (V): 120 - 277  
 Constant Current (mA): 500

#### LED

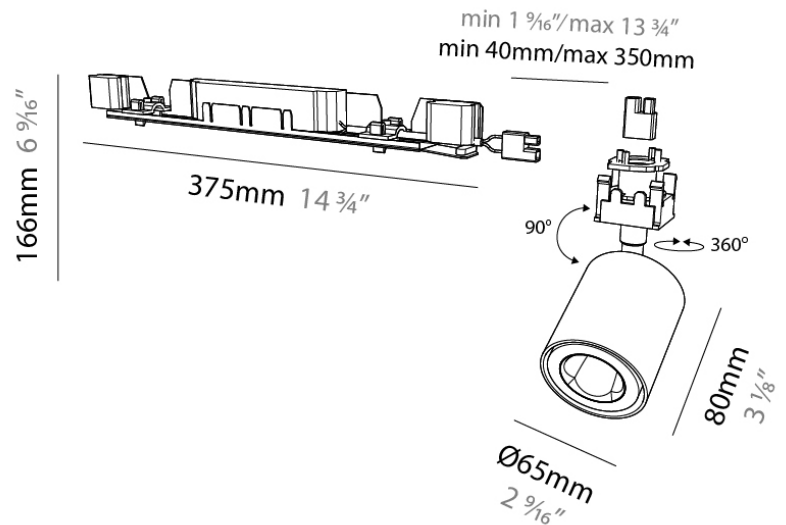
Delivered Lumen Range: 1000 - 1999 lm  
 Color Temperature (°K): 2700 / 3000 / 3500 / 4000  
 Max. Delivered Lumen (lm): 1547 / 1665 / 1724 / 1759  
 Nominal Lumen (lm): 1905 / 2050 / 2123 / 2166  
 CRI: >90 CRI  
 Lamp Life (hrs): 50000

#### OPTICAL

Beam Angle: 50  
 Adjustability: Rotational 350°; Tilt 90°

#### RATINGS AND CERTIFICATIONS

Certified By: Certified for North American Standards  
 IP rating: IP20



PROJECT
TYPE
NOTES
QUANTITY
DATE

## A3HY40-REC-SYS COMPONENTS

### A380285-

#### DESCRIPTION

Oiko Pro In - Ø65mm / 2-1/2" Track Spot LED Insert for Hypro 40 Recessed: TW 2700K-6500K, 15W, Max. 1081lm, CRI90, 50°, DALI Dimming

#### GENERAL

Series: Oiko Pro  
 Subseries: Oiko Pro In  
 Partner: Prolicht  
 Division: Architectural  
 Light Distribution: Direct

#### PHYSICAL

Aperture Sizes - Downlights: 1"  
 Shape: Cylinder  
 Length (mm): 700  
 Length (in): 27 9/16  
 Width (mm): 65  
 Width (in): 2 9/16  
 Height (mm): 166  
 Height (in): 6 9/16  
 Weight (kg): 0.661  
 Fixture Finish: SSR / BKV / CWI / CRY / HAB / UFT / ITA / RUA / FTG / MYG / LOD / PUS / FRO / FUP / KIA / POP / BLS / SPG / MEY / GOH / CHC / COM / ABZ / JAG / OBR / MOS / ROR  
 Fixture Material: Metal

#### ELECTRICAL

Input Wattage Range: 10 - 19 W  
 Lamp Type: LED (Zhaga Standard)  
 Input Wattage (W): 14  
 Total Output Wattage (W): 12.7  
 Dimming: Dali Dimming  
 Driver Included: Yes  
 Driver Location: Integrated  
 Driver Type: Constant Current - Universal  
 Driver Class: Class 2  
 Input Voltage (V): 120 - 277

#### LED

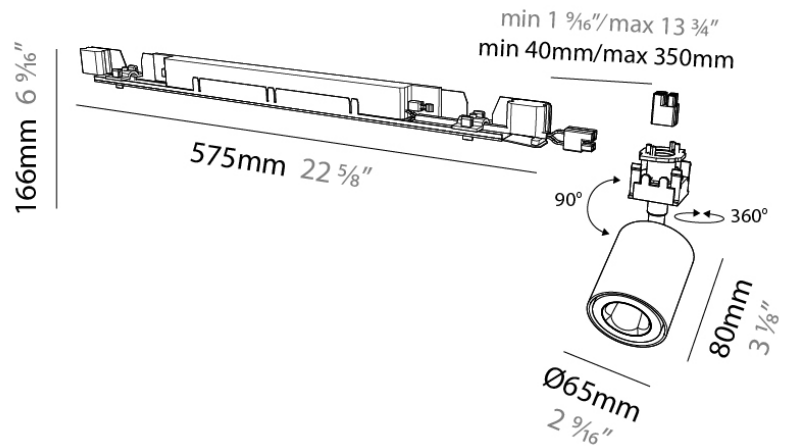
Delivered Lumen Range: 500 - 1999 lm  
 Color Temperature (°K): 2700-6500 Tunable White  
 Max. Delivered Lumen (lm): 919 - 1081  
 CRI: >90 CRI  
 Lamp Life (hrs): 50000

#### OPTICAL

Beam Angle: 50  
 Adjustability: Rotational 350°; Tilt 90°

#### RATINGS AND CERTIFICATIONS

Certified By: Certified for North American Standards  
 IP rating: IP20



PROJECT	
TYPE	
NOTES	
QUANTITY	
DATE	

## A3HY40-REC-SYS COMPONENTS

### A380286-

#### DESCRIPTION

Oiko Pro In - Ø65mm / 2-1/2" Track Spot LED Insert for Hypro 40 Recessed: 20W, Max. 2700K / 3000K / 3500K / 4000K, CRI90, 60°, Non-Dimming / 0-10V Dimming

#### GENERAL

Series: Oiko Pro  
 Subseries: Oiko Pro In  
 Partner: Prolicht  
 Division: Architectural  
 Light Distribution: Direct

#### PHYSICAL

Aperture Sizes - Downlights: 1"  
 Shape: Cylinder  
 Length (mm): 482  
 Length (in): 19  
 Width (mm): 65  
 Width (in): 2 5/16  
 Height (mm): 166  
 Height (in): 6 9/16  
 Weight (kg): 0.661  
 Fixture Finish: SSR / BKV / CWI / CRY / HAB / UFT / ITA / RUA / FTG / MYG / LOD / PUS / FRO / FUP / KIA / POP / BLS / SPG / MEY / GOH / CHC / COM / ABZ / JAG / OBR / MOS / ROR  
 Fixture Material: Metal

#### ELECTRICAL

Input Wattage Range: 10 - 19 W  
 Lamp Type: LED (Zhaga Standard)  
 Input Wattage (W): 19.9  
 Total Output Wattage (W): 18.1  
 Dimming: Non-Dimmable / 0-10V Dimming  
 Driver Included: Yes  
 Driver Location: Integrated  
 Driver Type: Constant Current - Universal  
 Driver Class: Class 2  
 Input Voltage (V): 120 - 277  
 Constant Current (mA): 500

#### LED

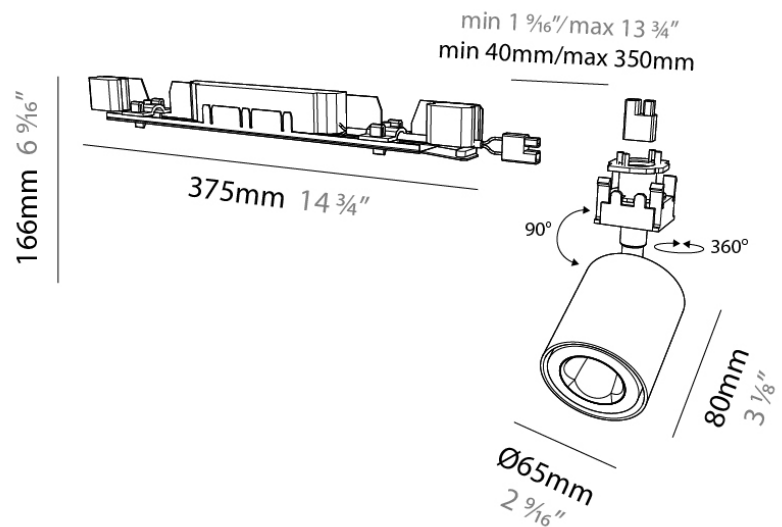
Delivered Lumen Range: 1000 - 1999 lm  
 Color Temperature (°K): 2700 / 3000 / 3500 / 4000  
 Max. Delivered Lumen (lm): 1699 / 1859 / 1893 / 1932  
 Nominal Lumen (lm): 1905 / 2050 / 2123 / 2166  
 CRI: >90 CRI  
 Lamp Life (hrs): 50000

#### OPTICAL

Beam Angle: 60  
 Adjustability: Rotational 350°; Tilt 90°

#### RATINGS AND CERTIFICATIONS

Certified By: Certified for North American Standards  
 IP rating: IP20



## A3HY40-REC-SYS COMPONENTS

### A380287-

#### DESCRIPTION

Oiko Pro In - Ø65mm / 2-1/2" Track Spot LED Insert for Hypro 40 Recessed: TW 2700K-6500K, 15W, Max. 1081lm, CRI90, 60°, DALI Dimming

#### GENERAL

Series: Oiko Pro  
 Subseries: Oiko Pro In  
 Partner: Prolicht  
 Division: Architectural  
 Light Distribution: Direct

#### PHYSICAL

Aperture Sizes - Downlights: 1"  
 Shape: Cylinder  
 Length (mm): 700  
 Length (in): 27 9/16  
 Width (mm): 65  
 Width (in): 2 9/16  
 Height (mm): 166  
 Height (in): 6 9/16  
 Weight (kg): 0.661  
 Fixture Finish: SSR / BKV / CWI / CRY / HAB / UFT / ITA / RUA / FTG / MYG / LOD / PUS / FRO / FUP / KIA / POP / BLS / SPG / MEY / GOH / CHC / COM / ABZ / JAG / OBR / MOS / ROR  
 Fixture Material: Metal

#### ELECTRICAL

Input Wattage Range: 10 - 19 W  
 Lamp Type: LED (Zhaga Standard)  
 Input Wattage (W): 14  
 Total Output Wattage (W): 12.7  
 Dimming: Dali Dimming  
 Driver Included: Yes  
 Driver Location: Integrated  
 Driver Type: Constant Current - Universal  
 Driver Class: Class 2  
 Input Voltage (V): 120 - 277

#### LED

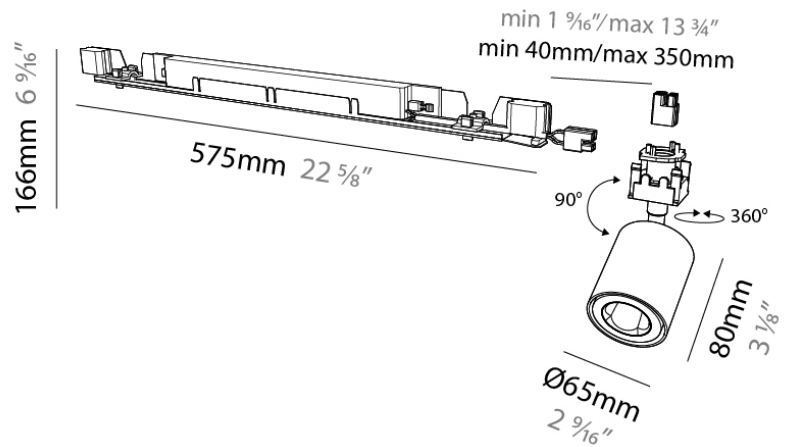
Delivered Lumen Range: 500 - 1999 lm  
 Color Temperature (°K): 2700-6500 Tunable White  
 Max. Delivered Lumen (lm): 919 - 1081  
 CRI: >90 CRI  
 Lamp Life (hrs): 50000

#### OPTICAL

Beam Angle: 50  
 Adjustability: Rotational 350°; Tilt 90°

#### RATINGS AND CERTIFICATIONS

Certified By: Certified for North American Standards  
 IP rating: IP20



PROJECT
TYPE
NOTES
QUANTITY
DATE

## A3HY40-REC-SYS COMPONENTS

### A380288-

#### DESCRIPTION

Oiko Pro In - Ø65mm / 2-1/2" Track Spot LED Insert for Hypro 40 Recessed: 20W LED Max. 2700K / 3000K / 3500K / 4000K - CRI90 - Wallwash - Dimmable

#### GENERAL

Series: Oiko Pro  
 Subseries: Oiko Pro In  
 Partner: Prolicht  
 Division: Architectural  
 Light Distribution: Direct

#### PHYSICAL

Aperture Sizes - Downlights: 1"  
 Shape: Cylinder  
 Length (mm): 482  
 Length (in): 19  
 Width (mm): 65  
 Width (in): 2 9/16  
 Height (mm): 166  
 Height (in): 6 9/16  
 Weight (kg): 0.657  
 Fixture Finish: SSR / BKV / CWI / CRY / HAB / UFT / ITA / RUA / FTG / MYG / LOD / PUS / FRO / FUP / KIA / POP / BLS / SPG / MEY / GOH / CHC / COM / ABZ / JAG / OBR / MOS / ROR  
 Fixture Material: Metal

#### ELECTRICAL

Input Wattage Range: 10 - 19 W  
 Lamp Type: LED (Zhaga Standard)  
 Input Wattage (W): 19.9  
 Total Output Wattage (W): 18.1  
 Dimming: Non-Dimmable / 0-10V Dimming  
 Driver Included: Yes  
 Driver Location: Integrated  
 Driver Type: Constant Current - Universal  
 Driver Class: Class 2  
 Input Voltage (V): 120 - 277  
 Constant Current (mA): 500

#### LED

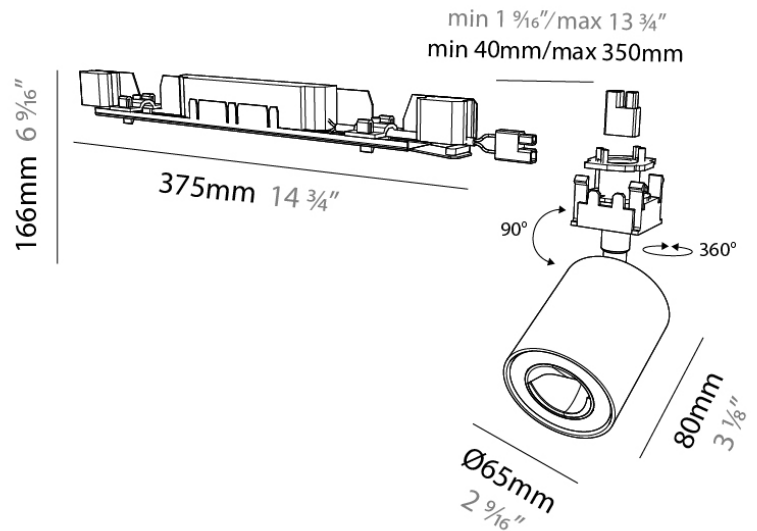
Delivered Lumen Range: 500 - 1999 lm  
 Color Temperature (°K): 2700 / 3000 / 3500 / 4000  
 Max. Delivered Lumen (lm): 1516 / 1632 / 1689 / 1724  
 Nominal Lumen (lm): 1905 / 2050 / 2123 / 2166  
 CRI: >90 CRI  
 Lamp Life (hrs): 50000

#### OPTICAL

Adjustability: Rotational 350°; Tilt 90°

#### RATINGS AND CERTIFICATIONS

Certified By: Certified for North American Standards  
 IP rating: IP20



PROJECT
TYPE
NOTES
QUANTITY
DATE

## A3HY40-REC-SYS COMPONENTS

### A380289-

#### DESCRIPTION

Oiko Pro In - Ø65mm / 2-1/2" Track Spot LED Insert for Hypro 40 Recessed: TW 2700K-6500K, 15W, Max. 1460lm, CRI90, Wallwash, DALI Dimming

#### GENERAL

Series: Oiko Pro  
 Subseries: Oiko Pro In  
 Partner: Prolicht  
 Division: Architectural  
 Light Distribution: Direct

#### PHYSICAL

Aperture Sizes - Downlights: 1"  
 Shape: Cylinder  
 Length (mm): 700  
 Length (in): 27 9/16  
 Width (mm): 65  
 Width (in): 2 9/16  
 Height (mm): 166  
 Height (in): 6 9/16  
 Weight (kg): 0.657

Fixture Finish: SSR / BKV / CWI / CRY / HAB / UFT / ITA / RUA / FTG / MYG / LOD / PUS / FRO / FUP / KIA / POP / BLS / SPG / MEY / GOH / CHC / COM / ABZ / JAG / OBR / MOS / ROR

Fixture Material: Metal

#### ELECTRICAL

Input Wattage Range: 10 - 19 W  
 Lamp Type: LED (Zhaga Standard)  
 Input Wattage (W): 14  
 Total Output Wattage (W): 12.7  
 Dimming: Dali Dimming  
 Driver Included: Yes  
 Driver Location: Integrated  
 Driver Type: Constant Current - Universal  
 Driver Class: Class 2  
 Input Voltage (V): 120 - 277

#### LED

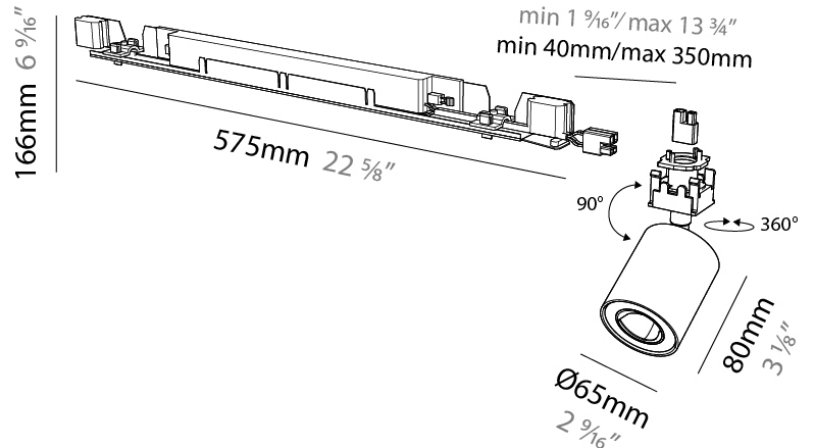
Delivered Lumen Range: 500 - 1999 lm  
 Color Temperature (°K): 2700-6500 Tunable White  
 Max. Delivered Lumen (lm): 988 - 1162  
 CRI: >90 CRI  
 Lamp Life (hrs): 50000

#### OPTICAL

Adjustability: Rotational 350°; Tilt 90°

#### RATINGS AND CERTIFICATIONS

Certified By: Certified for North American Standards  
 IP rating: IP20



PROJECT	
TYPE	
NOTES	
QUANTITY	
DATE	

## A3HY40-REC-SYS COMPONENTS

### A380290-

#### DESCRIPTION

Oiko Pro In - Ø65mm / 2-1/2" Track Spot LED Insert for Hypro 40 Recessed: 20W LED Max. 2700K / 3000K / 3500K / 4000K - CRI90 - 14° - Dimmable

#### GENERAL

Series: Oiko Pro  
 Subseries: Oiko Pro In  
 Partner: Prolicht  
 Division: Architectural  
 Light Distribution: Direct

#### PHYSICAL

Aperture Sizes - Downlights: 1"  
 Shape: Cylinder  
 Length (mm): 482  
 Length (in): 19  
 Width (mm): 65  
 Width (in): 2 5/16  
 Height (mm): 166  
 Height (in): 6 9/16  
 Weight (kg): 0.665  
 Fixture Finish: SSR / BKV / CWI / CRY / HAB / UFT / ITA / RUA / FTG / MYG / LOD / PUS / FRO / FUP / KIA / POP / BLS / SPG / MEY / GOH / CHC / COM / ABZ / JAG / OBR / MOS / ROR  
 Fixture Material: Metal

#### ELECTRICAL

Input Wattage Range: 20 - 29 W  
 Lamp Type: LED (Zhaga Standard)  
 Input Wattage (W): 20.5  
 Total Output Wattage (W): 18.6  
 Dimming: Non-Dimmable / 0-10V Dimming  
 Driver Included: Yes  
 Driver Location: Integrated  
 Driver Type: Constant Current - Universal  
 Driver Class: Class 2  
 Input Voltage (V): 120 - 277  
 Constant Current (MA): 500

#### LED

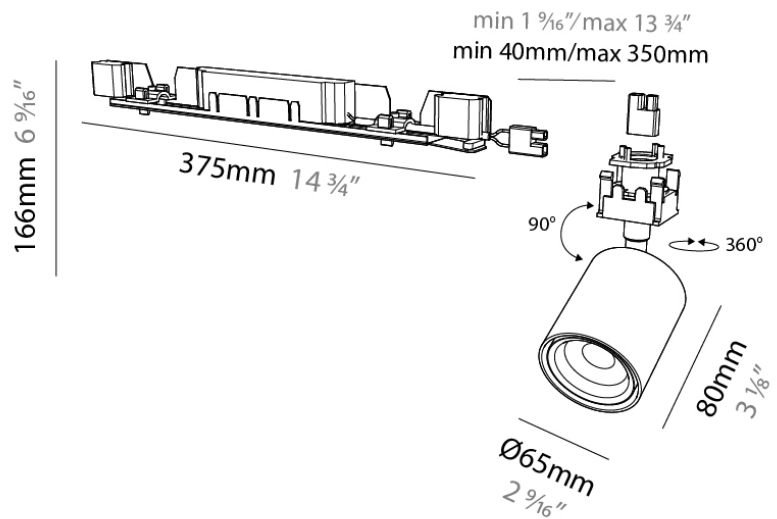
Delivered Lumen Range: 1000 - 1999 lm  
 Color Temperature (°K): 2700 / 3000 / 3500 / 4000  
 Max. Delivered Lumen (lm): 1278 / 1377 / 1432 / 1461  
 Nominal Lumen (lm): 1668 / 1797 / 1905 / 1907  
 CRI: >90 CRI  
 Lamp Life (hrs): 50000

#### OPTICAL

Beam Angle: 14  
 Adjustability: Rotational 350°; Tilt 90°

#### RATINGS AND CERTIFICATIONS

Certified By: Certified for North American Standards  
 IP rating: IP20



## A3HY40-REC-SYS COMPONENTS

### A380318-

#### DESCRIPTION

Centriq In 65 - Hypro 40 - Recessed - Spot Insert - 65mm / 2 9/16" - 23W LED (Zhaga Standard) - 2700K / 3000K / 3500K / 4000K - Reflector: 24° / 36° / 52° - Lens Pack

#### GENERAL

Series: Centriq  
 Subseries: Centriq In  
 Partner: Prolicht  
 Division: Architectural  
 Product Type: Spots  
 Light Distribution: Adjustable

#### PHYSICAL

Aperture Sizes - Downlights: 2"  
 Shape: Cylinder  
 Diameter (mm): 65  
 Diameter (in): 2 9/16  
 Length (mm): 375  
 Length (in): 14 3/4  
 Height (mm): 165  
 Height (in): 6 1/2  
 Weight (kg): 0.645  
 Diffuser: Lens Pack - No Lens / Opal / Linear Spread Lens / Honeycomb / Spread Lens  
 Fixture Finish: SSR / BKV / CWI / CRY / HAB / UFT / ITA / RUA / FTG / MYG / LOD / PUS / FRO / FUP / KIA / POP / BLS / SPG / MEY / GOH / CHC / COM / ABZ / JAG / OBR / MOS / ROR  
 Fixture Material: Aluminum

#### ELECTRICAL

Input Wattage Range: 20 - 29 W  
 Lamp Type: LED (Zhaga Standard)  
 Input Wattage (W): 23  
 Total Output Wattage (W): 20.9  
 Dimming: Non-Dimmable  
 Driver Included: Yes  
 Driver Location: Integrated  
 Driver Type: Constant Current - Universal  
 Driver Class: Class 2  
 Input Voltage (V): 120 - 277  
 Upon Request: 0 - 10V Dimming

#### LED

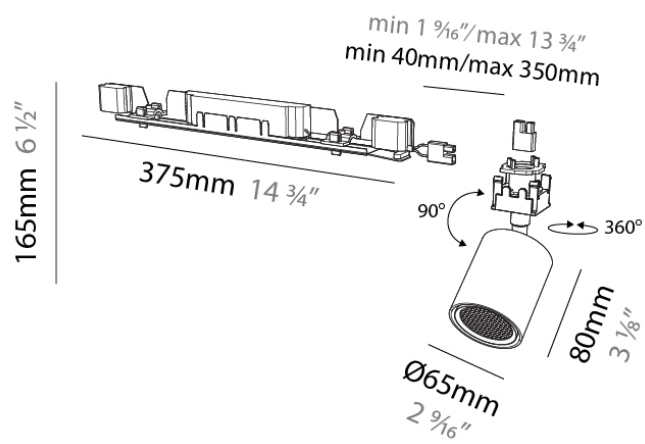
Delivered Lumen Range: 1000 - 2999 lm  
 Color Temperature (°K): 2700 / 3000 / 3500 / 4000  
 Max. Delivered Lumen (lm): 1946 / 2026 / 2167 / 2211  
 Nominal Lumen (lm): 2429 / 2529 / 2706 / 2761  
 CRI: >90 CRI  
 Lamp Life (hrs): 50000

#### OPTICAL

Reflector°: 24 / 36 / 52  
 Adjustability: Rotational 360°; Tilt 90°

#### RATINGS AND CERTIFICATIONS

Certified By: Certified for North American Standards  
 IP rating: IP20



## A3HY40-REC-SYS COMPONENTS

### A380319-

#### DESCRIPTION

Centriq In 65 - Hypro 40 - Recessed - Spot Insert - 65mm / 2 9/16"  
 - 15W LED (Zhaga Standard) - Tunable White (2700K - 6500K) -  
 Max 1269lm - Reflector: 24° / 36° / 52° - Lens Pack

#### GENERAL

Series: Centriq  
 Subseries: Centriq In  
 Partner: Prolicht  
 Division: Architectural  
 Product Type: Spots  
 Light Distribution: Adjustable

#### PHYSICAL

Aperture Sizes - Downlights: 2"  
 Shape: Cylinder  
 Diameter (mm): 65  
 Diameter (in): 2 9/16  
 Length (mm): 575  
 Length (in): 22 5/8  
 Height (mm): 165  
 Height (in): 6 1/2  
 Diffuser: Lens Pack - No Lens / Opal / Linear Spread Lens /  
 Honeycomb / Spread Lens  
 Fixture Finish: SSR / BKV / CWI / CRY / HAB / UFT / ITA / RUA / FTG /  
 MYG / LOD / PUS / FRO / FUP / KIA / POP / BLS / SPG / MEY / GOH /  
 CHC / COM / ABZ / JAG / OBR / MOS / ROR  
 Fixture Material: Aluminum

#### ELECTRICAL

Input Wattage Range: 10 - 19 W  
 Lamp Type: LED (Zhaga Standard)  
 Input Wattage (W): 14  
 Total Output Wattage (W): 12.7  
 Dimming: Dali Dimming  
 Driver Included: No  
 Driver Location: Remote  
 Driver Type: Constant Current - Universal  
 Driver Class: Class 2  
 Input Voltage (V): 120 - 277

#### LED

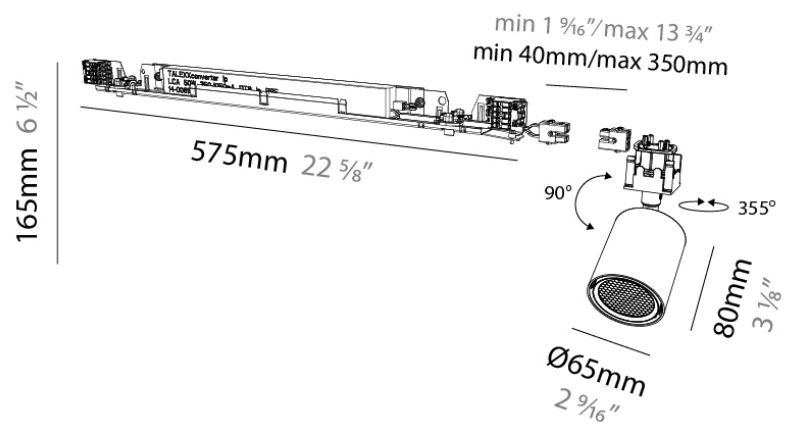
Delivered Lumen Range: 1000 - 1999 lm  
 Color Temperature (°K): 2700-6500 Tunable White  
 Max. Delivered Lumen (lm): 1079 - 1269  
 CRI: >90 CRI  
 Lamp Life (hrs): 50000

#### OPTICAL

Reflector°: 24 / 36 / 52

#### RATINGS AND CERTIFICATIONS

Certified By: Certified for North American Standards  
 IP rating: IP20



## A3HY40-REC-SYS COMPONENTS

### A380320-

#### DESCRIPTION

Centriq In 65 Flex - Hypro 40 - Recessed - Spot Insert - 65mm / 2 9/16" - 21W LED (Zhaga Standard) - 2700K / 3000K / 3500K / 4000K - Reflector: 14° / 30° / 44°

#### GENERAL

Series: Centriq

Subseries: Centriq In Flex

Partner: Prolicht

Division: Architectural

Product Type: Spots

Light Distribution: Adjustable

#### PHYSICAL

Aperture Sizes - Downlights: 2"

Shape: Cylinder

Diameter (mm): 65

Diameter (in): 2 9/16

Length (mm): 375

Length (in): 14 3/4

Height (mm): 170

Height (in): 6 11/16

Fixture Finish: SSR / BKV / CWI / CRY / HAB / UFT / ITA / RUA / FTG / MYG / LOD / PUS / FRO / FUP / KIA / POP / BLS / SPG / MEY / GOH / CHC / COM / ABZ / JAG / OBR / MOS / ROR

Fixture Material: Aluminum

#### ELECTRICAL

Input Wattage Range: 20 - 29 W

Lamp Type: LED (Zhaga Standard)

Input Wattage (W): 20

Total Output Wattage (W): 18.1

Dimming: Non-Dimmable

Driver Included: Yes

Driver Location: Integrated

Driver Type: Constant Current - Universal

Driver Class: Class 2

Input Voltage (V): 120 - 277

Upon Request: 0 - 10V Dimming

#### LED

Delivered Lumen Range: 1000 - 2999 lm

Color Temperature (°K): 2700 / 3000 / 3500 / 4000

Max. Delivered Lumen (lm): 1127 / 1214 / 1262 / 1288

Nominal Lumen (lm): 1688 / 1797 / 1869 / 1907

CRI: >90 CRI

Lamp Life (hrs): 50000

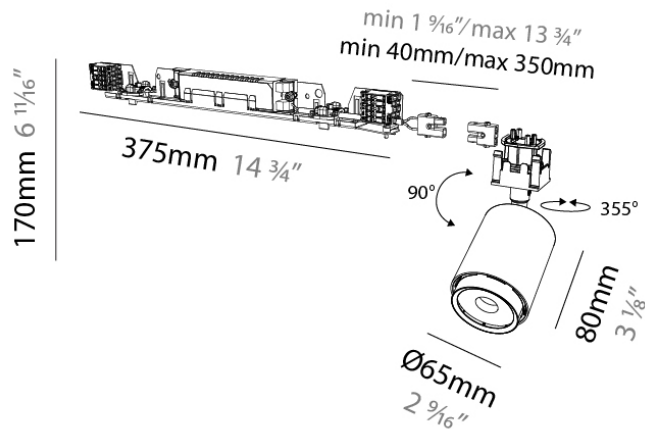
#### OPTICAL

Reflector°: 14 / 30 / 44

#### RATINGS AND CERTIFICATIONS

Certified By: Certified for North American Standards

IP rating: IP20



PROJECT
TYPE
NOTES
QUANTITY
DATE

## A3HY40-REC-SYS COMPONENTS

### A380321-

#### DESCRIPTION

Centriq In 65 - Hypro 40 - Recessed - Spot Insert - 65mm / 2 9/16"  
 - 23W LED (Zhaga Standard) - 2700K / 3000K / 3500K / 4000K -  
 Lens Pack

#### GENERAL

Series: Centriq  
 Subseries: Centriq In  
 Partner: Prolicht  
 Division: Architectural  
 Product Type: Spots  
 Light Distribution: Adjustable

#### PHYSICAL

Aperture Sizes - Downlights: 2"  
 Shape: Cylinder  
 Diameter (mm): 65  
 Diameter (in): 2 9/16  
 Length (mm): 375  
 Length (in): 14 3/4  
 Height (mm): 165  
 Height (in): 6 1/2  
 Diffuser: Lens Pack - No Lens / Opal / Linear Spread Lens /  
 Honeycomb / Spread Lens  
 Fixture Finish: SSR / BKV / CWI / CRY / HAB / UFT / ITA / RUA / FTG /  
 MYG / LOD / PUS / FRO / FUP / KIA / POP / BLS / SPG / MEY / GOH /  
 CHC / COM / ABZ / JAG / OBR / MOS / ROR  
 Fixture Material: Aluminum

#### ELECTRICAL

Input Wattage Range: 20 - 29 W  
 Lamp Type: LED (Zhaga Standard)  
 Input Wattage (W): 20  
 Total Output Wattage (W): 18.1  
 Dimming: Non-Dimmable  
 Driver Included: Yes  
 Driver Location: Integrated  
 Driver Type: Constant Current - Universal  
 Driver Class: Class 2  
 Input Voltage (V): 120 - 277  
 Upon Request: 0 - 10V Dimming

#### LED

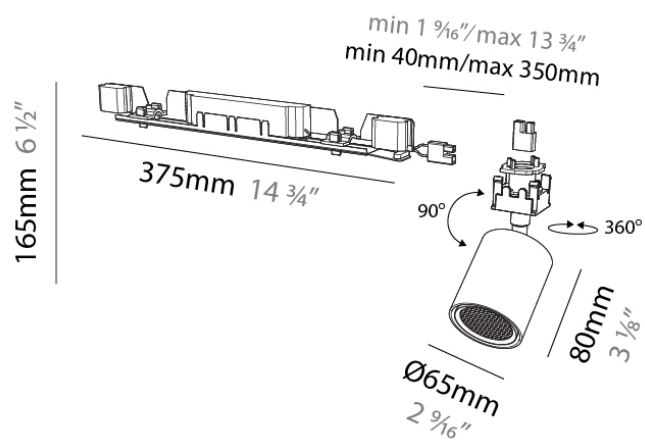
Delivered Lumen Range: 1000 - 1999 lm  
 Color Temperature (°K): 2700 / 3000 / 3500 / 4000  
 Max. Delivered Lumen (lm): 1360 / 1465 / 1523 / 1554  
 Nominal Lumen (lm): 1668 / 1797 / 1869 / 1907  
 CRI: >90 CRI  
 Lamp Life (hrs): 50000

#### OPTICAL

Reflector<sup>o</sup>: 12

#### RATINGS AND CERTIFICATIONS

Certified By: Certified for North American Standards  
 IP rating: IP20



PROJECT
TYPE
NOTES
QUANTITY
DATE

## A3HY40-REC-SYS COMPONENTS

### A380322-

#### DESCRIPTION

Centriq In 65 - Hypro 40 - Recessed - Spot Insert - 65mm / 2 9/16"  
 - 9W LED (Zhaga Standard) - Tunable White (2700K - 6500K) -  
 Max 569lm - Lens Pack

#### GENERAL

Series: Centriq  
 Subseries: Centriq In  
 Partner: Prolicht  
 Division: Architectural  
 Product Type: Spots  
 Light Distribution: Adjustable

#### PHYSICAL

Aperture Sizes - Downlights: 2"  
 Shape: Cylinder  
 Diameter (mm): 65  
 Diameter (in): 2 9/16  
 Length (mm): 575  
 Length (in): 22 5/8  
 Height (mm): 165  
 Height (in): 6 1/2  
 Diffuser: Lens Pack - No Lens / Opal / Linear Spread Lens /  
 Honeycomb / Spread Lens  
 Fixture Finish: SSR / BKV / CWI / CRY / HAB / UFT / ITA / RUA / FTG /  
 MYG / LOD / PUS / FRO / FUP / KIA / POP / BLS / SPG / MEY / GOH /  
 CHC / COM / ABZ / JAG / OBR / MOS / ROR  
 Fixture Material: Aluminum

#### ELECTRICAL

Input Wattage Range: 1 - 9 W  
 Lamp Type: LED (Zhaga Standard)  
 Input Wattage (W): 8  
 Total Output Wattage (W): 7.3  
 Dimming: Dali Dimming  
 Driver Included: No  
 Driver Location: Remote  
 Driver Type: Constant Current - Universal  
 Driver Class: Class 2  
 Input Voltage (V): 120 - 277

#### LED

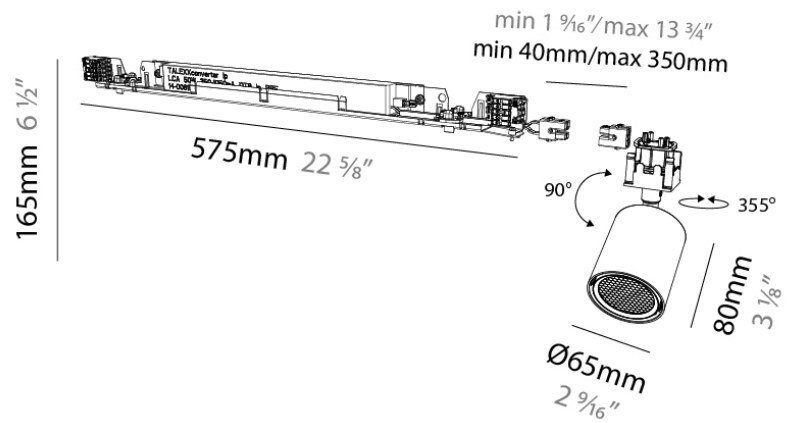
Delivered Lumen Range: 500 - 999 lm  
 Color Temperature (°K): 2700-6500 Tunable White  
 Max. Delivered Lumen (lm): 490 - 564  
 CRI: >90 CRI  
 Lamp Life (hrs): 60000

#### OPTICAL

Adjustability: Rotational 360°; Tilt 90°

#### RATINGS AND CERTIFICATIONS

Certified By: Certified for North American Standards  
 IP rating: IP20



PROJECT	
TYPE	
NOTES	
QUANTITY	
DATE	

## A3HY40-REC-SYS COMPONENTS

### A380323-

#### DESCRIPTION

Centriq In 83 - Hypro 40 - Recessed - Spot Insert - 83mm / 3 1/4"  
 - 36W LED (Zhaga Standard) - 2700K / 3000K / 3500K / 4000K -  
 Reflector: 20° / 32° / 54° - Lens Pack

#### GENERAL

Series: Centriq  
 Subseries: Centriq In  
 Partner: Prolicht  
 Division: Architectural  
 Product Type: Spots  
 Light Distribution: Adjustable

#### PHYSICAL

Aperture Sizes - Downlights: 2"  
 Shape: Cylinder  
 Diameter (mm): 83  
 Diameter (in): 3 1/4  
 Length (mm): 375  
 Length (in): 14 3/4  
 Height (mm): 190  
 Height (in): 7 1/2  
 Diffuser: Lens Pack - No Lens / Opal / Linear Spread Lens /  
 Honeycomb / Spread Lens  
 Fixture Finish: SSR / BKV / CWI / CRY / HAB / UFT / ITA / RUA / FTG /  
 MYG / LOD / PUS / FRO / FUP / KIA / POP / BLS / SPG / MEY / GOH /  
 CHC / COM / ABZ / JAG / OBR / MOS / ROR  
 Fixture Material: Aluminum

#### ELECTRICAL

Input Wattage Range: 30 - 49 W  
 Lamp Type: LED (Zhaga Standard)  
 Input Wattage (W): 36  
 Total Output Wattage (W): 32.7  
 Dimming: Non-Dimmable  
 Driver Included: Yes  
 Driver Location: Integrated  
 Driver Type: Constant Current - Universal  
 Driver Class: Class 2  
 Input Voltage (V): 120 - 277  
 Constant Current (mA): 900  
 Upon Request: 0 - 10V Dimming

#### LED

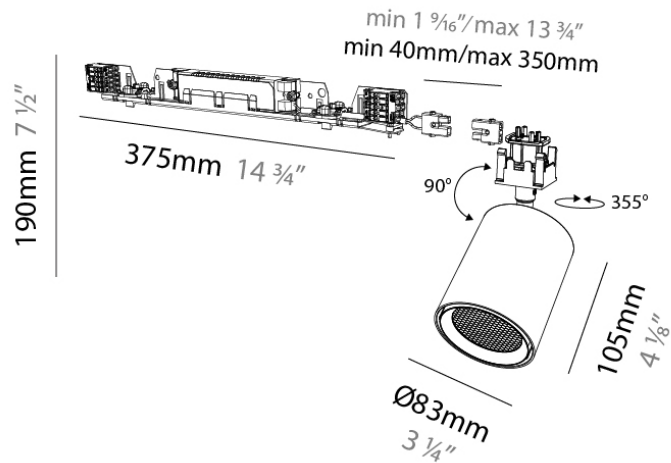
Delivered Lumen Range: 2000 - 3999 lm  
 Color Temperature (°K): 2700 / 3000 / 3500 / 4000  
 Max. Delivered Lumen (lm): 2923 / 3044 / 3261 / 3328  
 Nominal Lumen (lm): 3471 / 3615 / 3873 / 3952  
 CRI: >90 CRI  
 Lamp Life (hrs): 50000

#### OPTICAL

Reflector°: 20 / 32 / 54  
 Adjustability: Rotational 360°; Tilt 90°

#### RATINGS AND CERTIFICATIONS

Certified By: Certified for North American Standards  
 IP rating: IP20



PROJECT
TYPE
NOTES
QUANTITY
DATE

## A3HY40-REC-SYS COMPONENTS

### A380324-

#### DESCRIPTION

Centriq In 83 - Hypro 40 - Recessed - Spot Insert - 83mm / 3 1/4"  
 - 36W LED (Zhaga Standard) - Tunable White (2700K - 6500K) -  
 Max 2907lm - Reflector: 24° / 36° / 52° - Lens Pack

#### GENERAL

Series: Centriq  
 Subseries: Centriq In  
 Partner: Prolicht  
 Division: Architectural  
 Product Type: Spots  
 Light Distribution: Adjustable

#### PHYSICAL

Aperture Sizes - Downlights: 2"  
 Shape: Cylinder  
 Diameter (mm): 83  
 Diameter (in): 3 1/4  
 Length (mm): 575  
 Length (in): 22 5/8  
 Height (mm): 190  
 Height (in): 7 1/2  
 Fixture Finish: SSR / BKV / CWI / CRY / HAB / UFT / ITA / RUA / FTG /  
 MYG / LOD / PUS / FRO / FUP / KIA / POP / BLS / SPG / MEY / GOH /  
 CHC / COM / ABZ / JAG / OBR / MOS / ROR  
 Fixture Material: Aluminum

#### ELECTRICAL

Input Wattage Range: 30 - 49 W  
 Lamp Type: LED (Zhaga Standard)  
 Input Wattage (W): 35  
 Total Output Wattage (W): 31.8  
 Dimming: Non-Dimmable  
 Driver Included: Yes  
 Driver Location: Integrated  
 Driver Type: Constant Current - Universal  
 Driver Class: Class 2  
 Input Voltage (V): 120 - 277  
 Upon Request: 0 - 10V Dimming

#### LED

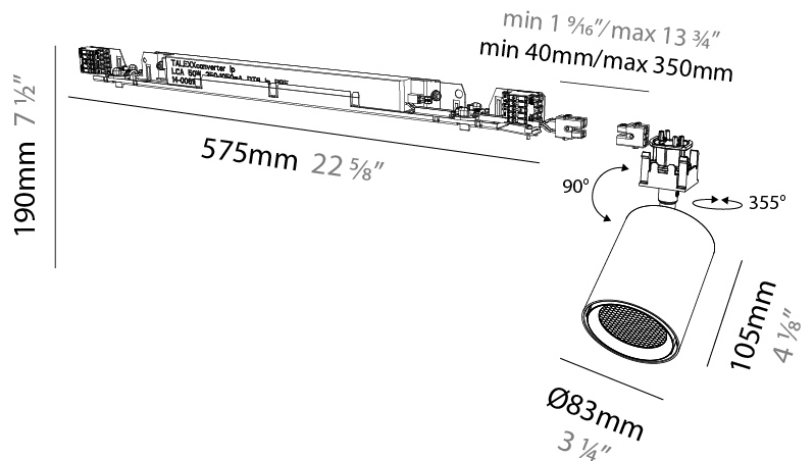
Delivered Lumen Range: 2000 - 2999 lm  
 Color Temperature (°K): 2700-6500 Tunable White  
 Max. Delivered Lumen (lm): 2568 - 2907  
 CRI: >90 CRI  
 Lamp Life (hrs): 50000

#### OPTICAL

Reflector: 24 / 34 / 54

#### RATINGS AND CERTIFICATIONS

Certified By: Certified for North American Standards  
 IP rating: IP20



## A3HY40-REC-SYS COMPONENTS

### A380325-

#### DESCRIPTION

Centriq In 83 Flex - Hypro 40 - Recessed - Spot Insert - 83mm / 3 1/4" - 21W LED (Zhaga Standard) - 2700K / 3000K / 3500K / 4000K - Reflector: 14° / 30° / 44° - Lens Pack

#### GENERAL

Series: Centriq  
 Subseries: Centriq In Flex  
 Partner: Prolicht  
 Division: Architectural  
 Product Type: Spots  
 Light Distribution: Adjustable

#### PHYSICAL

Aperture Sizes - Downlights: 2"  
 Shape: Cylinder  
 Diameter (mm): 83  
 Diameter (in): 3 1/4  
 Length (mm): 375  
 Length (in): 14 3/4  
 Height (mm): 190  
 Height (in): 7 1/2  
 Diffuser: Lens Pack - No Lens / Opal / Linear Spread Lens / Honeycomb / Spread Lens  
 Fixture Finish: SSR / BKV / CWI / CRY / HAB / UFT / ITA / RUA / FTG / MYG / LOD / PUS / FRO / FUP / KIA / POP / BLS / SPG / MEY / GOH / CHC / COM / ABZ / JAG / OBR / MOS / ROR  
 Fixture Material: Aluminum

#### ELECTRICAL

Input Wattage Range: 20 - 29 W  
 Lamp Type: LED (Zhaga Standard)  
 Input Wattage (W): 20  
 Total Output Wattage (W): 18.1  
 Dimming: Non-Dimmable  
 Driver Included: Yes  
 Driver Location: Integrated  
 Driver Type: Constant Current - Universal  
 Driver Class: Class 2  
 Input Voltage (V): 120 - 277  
 Upon Request: 0 - 10V Dimming

#### LED

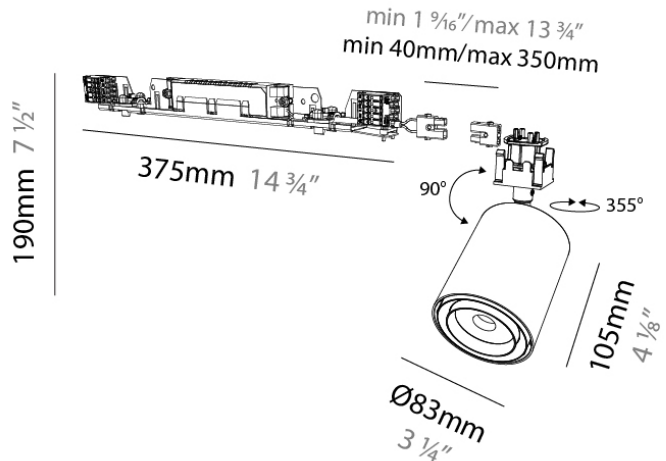
Delivered Lumen Range: 2000 - 3999 lm  
 Color Temperature (°K): 2700 / 3000 / 3500 / 4000  
 Max. Delivered Lumen (lm): 2923 / 3044 / 3261 / 3328  
 Nominal Lumen (lm): 3471 / 3615 / 3873 / 3952  
 CRI: >90 CRI  
 Lamp Life (hrs): 50000

#### OPTICAL

Reflector: 14 / 30 / 44

#### RATINGS AND CERTIFICATIONS

Certified By: Certified for North American Standards  
 IP rating: IP20



PROJECT	
TYPE	
NOTES	
QUANTITY	
DATE	

## A3HY40-REC-SYS COMPONENTS

### A380326-

#### DESCRIPTION

Centriq In 83 Flex - Hypro 40 - Recessed - Spot Insert - 83mm / 3 1/4" - 8W LED (Zhaga Standard) - Tunable White (2700K - 6500K) - Max 479lm - Reflector: 14° / 30° / 44°

#### GENERAL

Series: Centriq  
 Subseries: Centriq In Flex  
 Partner: Prolicht  
 Division: Architectural  
 Product Type: Spots  
 Light Distribution: Adjustable

#### PHYSICAL

Aperture Sizes - Downlights: 2"  
 Shape: Cylinder  
 Diameter (mm): 83  
 Diameter (in): 3 1/4  
 Length (mm): 575  
 Length (in): 22 5/8  
 Height (mm): 190  
 Height (in): 7 1/2

Fixture Finish: SSR / BKV / CWI / CRY / HAB / UFT / ITA / RUA / FTG / MYG / LOD / PUS / FRO / FUP / KIA / POP / BLS / SPG / MEY / GOH / CHC / COM / ABZ / JAG / OBR / MOS / ROR

Fixture Material: Aluminum

#### ELECTRICAL

Input Wattage Range: 1 - 9 W  
 Lamp Type: LED (Zhaga Standard)  
 Input Wattage (W): 8  
 Total Output Wattage (W): 7.3  
 Dimming: Non-Dimmable  
 Driver Included: Yes  
 Driver Location: Integrated  
 Driver Type: Constant Current - Universal  
 Driver Class: Class 2  
 Input Voltage (V): 120 - 277  
 Upon Request: 0 - 10V Dimming

#### LED

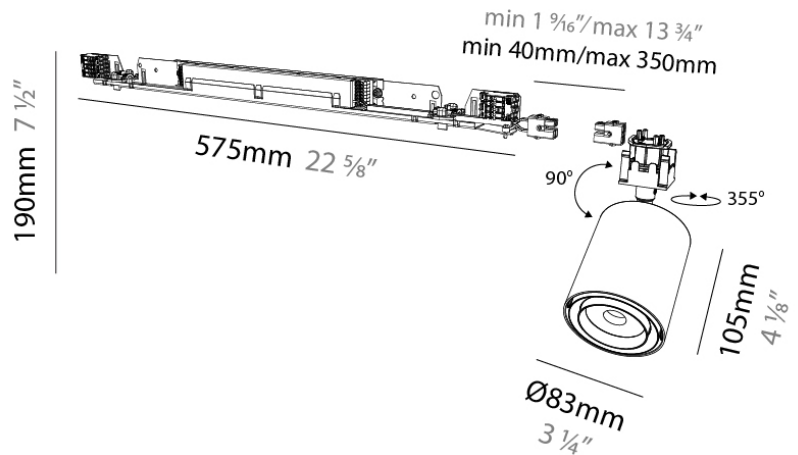
Delivered Lumen Range: 100 - 499 lm  
 Color Temperature (°K): 2700-6500 Tunable White  
 Max. Delivered Lumen (lm): 416 - 479  
 CRI: >90 CRI  
 Lamp Life (hrs): 50000

#### OPTICAL

Reflector°: 14 / 30 / 44

#### RATINGS AND CERTIFICATIONS

Certified By: Certified for North American Standards  
 IP rating: IP20



PROJECT
TYPE
NOTES
QUANTITY
DATE

## A3HY40-REC-SYS COMPONENTS

### A380327-

#### DESCRIPTION

Centriq In 83 - Hypro 40 - Recessed - Spot Insert - 83mm / 3 1/4"  
 - 36W LED (Zhaga Standard) - 2700K / 3000K / 3500K / 4000K -  
 Reflector: 12° - Lens Pack

#### GENERAL

Series: Centriq  
 Subseries: Centriq In  
 Partner: Prolicht  
 Division: Architectural  
 Product Type: Spots  
 Light Distribution: Adjustable

#### PHYSICAL

Aperture Sizes - Downlights: 2"  
 Shape: Cylinder  
 Diameter (mm): 83  
 Diameter (in): 3 1/4  
 Length (mm): 375  
 Length (in): 14 3/4  
 Height (mm): 190  
 Height (in): 7 1/2  
 Diffuser: Lens Pack - No Lens / Opal / Linear Spread Lens /  
 Honeycomb / Spread Lens  
 Fixture Finish: SSR / BKV / CWI / CRY / HAB / UFT / ITA / RUA / FTG /  
 MYG / LOD / PUS / FRO / FUP / KIA / POP / BLS / SPG / MEY / GOH /  
 CHC / COM / ABZ / JAG / OBR / MOS / ROR  
 Fixture Material: Aluminum

#### ELECTRICAL

Input Wattage Range: 20 - 29 W  
 Lamp Type: LED (Zhaga Standard)  
 Input Wattage (W): 26  
 Total Output Wattage (W): 23.7  
 Dimming: Non-Dimmable  
 Driver Included: Yes  
 Driver Location: Integrated  
 Driver Type: Constant Current - Universal  
 Driver Class: Class 2  
 Input Voltage (V): 120 - 277  
 Upon Request: 0 - 10V Dimming

#### LED

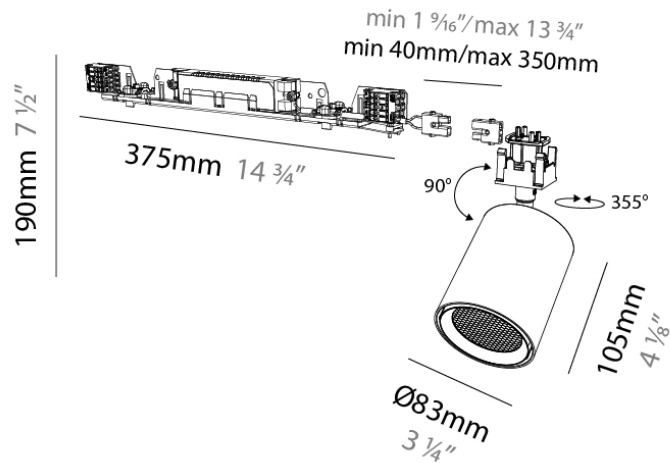
Delivered Lumen Range: 2000 - 3999 lm  
 Color Temperature (°K): 2700 / 3000 / 3500 / 4000  
 Max. Delivered Lumen (lm): 2923 / 3044 / 3261 / 3328  
 Nominal Lumen (lm): 3471 / 3615 / 3873 / 3952  
 CRI: >90 CRI  
 Lamp Life (hrs): 50000

#### OPTICAL

Reflector°: 12

#### RATINGS AND CERTIFICATIONS

Certified By: Certified for North American Standards  
 IP rating: IP20



PROJECT	
TYPE	
NOTES	
QUANTITY	
DATE	

## A3HY40-REC-SYS COMPONENTS

### A380328-

#### DESCRIPTION

Centriq In 83 - Hypro 40 - Recessed - Spot Insert - 83mm / 3 1/4"  
 - 9W LED (Zhaga Standard) - Tunable White (2700K - 6500K) -  
 Max 569lm - Reflector: 12° - Lens Pack

#### GENERAL

Series: Centriq  
 Subseries: Centriq In  
 Partner: Prolicht  
 Division: Architectural  
 Product Type: Spots  
 Light Distribution: Adjustable

#### PHYSICAL

Aperture Sizes - Downlights: 2"  
 Shape: Cylinder  
 Diameter (mm): 83  
 Diameter (in): 2 9/16  
 Length (mm): 575  
 Length (in): 22 5/8  
 Height (mm): 190  
 Height (in): 7 1/2  
 Diffuser: Lens Pack - No Lens / Opal / Linear Spread Lens /  
 Honeycomb / Spread Lens  
 Fixture Finish: SSR / BKV / CWI / CRY / HAB / UFT / ITA / RUA / FTG /  
 MYG / LOD / PUS / FRO / FUP / KIA / POP / BLS / SPG / MEY / GOH /  
 CHC / COM / ABZ / JAG / OBR / MOS / ROR  
 Fixture Material: Aluminum

#### ELECTRICAL

Input Wattage Range: 1 - 9 W  
 Lamp Type: LED (Zhaga Standard)  
 Input Wattage (W): 8  
 Total Output Wattage (W): 7.3  
 Dimming: Dali Dimming  
 Driver Included: No  
 Driver Location: Remote  
 Driver Type: Constant Current - Universal  
 Driver Class: Class 2  
 Input Voltage (V): 120 - 277

#### LED

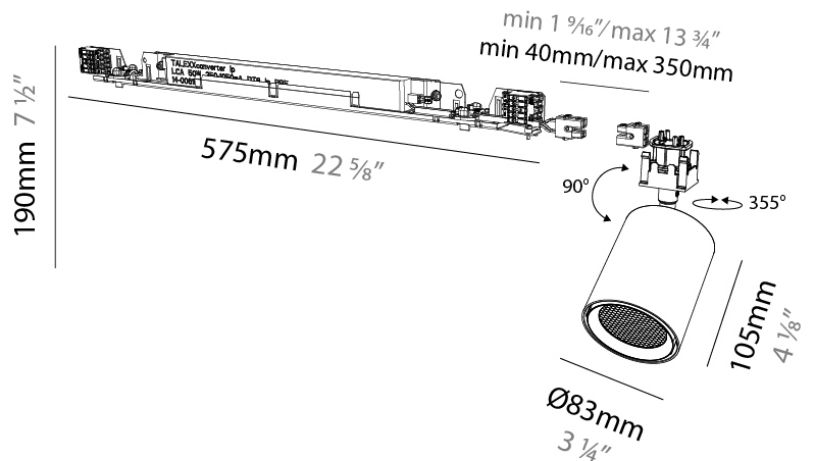
Delivered Lumen Range: 500 - 999 lm  
 Color Temperature (°K): 2700-6500 Tunable White  
 Max. Delivered Lumen (lm): 494 - 569  
 CRI: >90 CRI  
 Lamp Life (hrs): 60000

#### OPTICAL

Reflector°: 12

#### RATINGS AND CERTIFICATIONS

Certified By: Certified for North American Standards  
 IP rating: IP20



## A3HY40-REC-SYS COMPONENTS

### A380371-

#### DESCRIPTION

Hangover Plug Micro Dot - Insert for Hypro 40 Recessed Ø40mm / 1 9/16" x 150mm / 5 7/8" - LED 6W Max. - 2700K / 3000K / 3500K / 4000K - CRI90 - Non-Dimming - Optic: 32° / 58°

#### GENERAL

Series: Hangover

Subseries: Hangover Plug 40 Micro-Dot

Partner: Prolicht

Division: Architectural

Light Distribution: Direct

#### PHYSICAL

Aperture Sizes - Downlights: 1"

Shape: Cylinder

Diameter (mm): 40

Diameter (in): 1 9/16"

Height (mm): 150

Height (in): 5 7/8"

Fixture Finish: SSR / BKV / CWI / CRY / HAB / UFT / ITA / RUA / FTG / MYG / LOD / PUS / FRO / FUP / KIA / POP / BLS / SPG / MEY / GOH / CHC / COM / ABZ / JAG / OBR / MOS / ROR

Fixture Material: Aluminum

#### ELECTRICAL

Input Wattage Range: 1 - 9 W

Lamp Type: LED (Zhaga Standard)

Input Wattage (W): 6

Total Output Wattage (W): 5.4

Dimming: Non-Dimmable / 0-10V Dimming

Driver Included: No

Driver Location: Integrated

Driver Type: Constant Current - Universal

Driver Class: Class 2

Input Voltage (V): 120 - 277

Constant Current (mA): 500

#### LED

Delivered Lumen Range: 100 - 499 lm

Color Temperature (°K): 2700 / 3000 / 3500 / 4000

Max. Delivered Lumen (lm): 310 / 328 / 349 / 356

Nominal Lumen (lm): 461 / 487 / 517 / 528

CRI: >90 CRI

Lamp Life (hrs): 50000

#### OPTICAL

Optic°: 32 / 58

#### RATINGS AND CERTIFICATIONS

Certified By: Certified for North American Standards

IP rating: IP20



Ø40mm  
1 9/16"



PROJECT
TYPE
NOTES
QUANTITY
DATE

## A3HY40-REC-SYS COMPONENTS

### A380373-

#### DESCRIPTION

Hangover Plug Micro Dot - Insert for Hypro 40 Recessed Ø40mm / 1 9/16" x 300mm / 11 13/16" - LED 6W Max. - 2700K / 3000K / 3500K / 4000K - CRI90 - Non-Dimming - Optic: 32° / 58°

#### GENERAL

Series: Hangover  
 Subseries: Hangover Plug 40 Micro-Dot  
 Partner: Prolight  
 Division: Architectural  
 Light Distribution: Direct

#### PHYSICAL

Aperture Sizes - Downlights: 1"  
 Shape: Cylinder  
 Diameter (mm): 40  
 Diameter (in): 1 9/16  
 Height (mm): 300  
 Height (in): 11 13/16  
 Fixture Finish: SSR / BKV / CWI / CRY / HAB / UFT / ITA / RUA / FTG / MYG / LOD / PUS / FRO / FUP / KIA / POP / BLS / SPG / MEY / GOH / CHC / COM / ABZ / JAG / OBR / MOS / ROR  
 Fixture Material: Aluminum

#### ELECTRICAL

Input Wattage Range: 1 - 9 W  
 Lamp Type: LED (Zhaga Standard)  
 Input Wattage (W): 6  
 Total Output Wattage (W): 5.4  
 Dimming: Non-Dimmable / 0-10V Dimming  
 Driver Included: No  
 Driver Location: Integrated  
 Driver Type: Constant Current - Universal  
 Driver Class: Class 2  
 Input Voltage (V): 120 - 277  
 Constant Current (MA): 500

#### LED

Delivered Lumen Range: 100 - 499 lm  
 Color Temperature (°K): 2700 / 3000 / 3500 / 4000  
 Max. Delivered Lumen (lm): 310 / 328 / 349 / 356  
 Nominal Lumen (lm): 461 / 487 / 517 / 528  
 CRI: >90 CRI  
 Lamp Life (hrs): 50000

#### OPTICAL

Optic°: 32 / 58

#### RATINGS AND CERTIFICATIONS

Certified By: Certified for North American Standards  
 IP rating: IP20



PROJECT
TYPE
NOTES
QUANTITY
DATE

## A3HY40-REC-SYS COMPONENTS

### A380375-

#### DESCRIPTION

Hangover Plug Micro Dot - Insert for Hypro 40 Recessed Ø40mm / 1 9/16" x 450mm / 17 11/16" - LED 6W Max. - 2700K / 3000K / 3500K / 4000K - CRI90 - Non-Dimming - Optic: 32° / 58°

#### GENERAL

Series: Hangover  
 Subseries: Hangover Plug 40 Micro-Dot  
 Partner: Prolight  
 Division: Architectural  
 Light Distribution: Direct

#### PHYSICAL

Aperture Sizes - Downlights: 1"  
 Shape: Cylinder  
 Diameter (mm): 40  
 Diameter (in): 1 9/16  
 Height (mm): 450  
 Height (in): 17 11/16  
 Fixture Finish: SSR / BKV / CWI / CRY / HAB / UFT / ITA / RUA / FTG / MYG / LOD / PUS / FRO / FUP / KIA / POP / BLS / SPG / MEY / GOH / CHC / COM / ABZ / JAG / OBR / MOS / ROR  
 Fixture Material: Aluminum

#### ELECTRICAL

Input Wattage Range: 1 - 9 W  
 Lamp Type: LED (Zhaga Standard)  
 Input Wattage (W): 6  
 Total Output Wattage (W): 5.4  
 Dimming: Non-Dimmable / 0-10V Dimming  
 Driver Included: No  
 Driver Location: External  
 Driver Type: Constant Current - Universal  
 Driver Class: Class 2  
 Input Voltage (V): 120 - 277  
 Constant Current (MA): 500

#### LED

Delivered Lumen Range: 100 - 499 lm  
 Color Temperature (°K): 2700 / 3000 / 3500 / 4000  
 Max. Delivered Lumen (lm): 310 / 328 / 349 / 356  
 Nominal Lumen (lm): 461 / 487 / 517 / 528  
 CRI: >90 CRI  
 Lamp Life (hrs): 50000

#### OPTICAL

Optic°: 32 / 58

#### RATINGS AND CERTIFICATIONS

Certified By: Certified for North American Standards  
 IP rating: IP20



PROJECT
TYPE
NOTES
QUANTITY
DATE

## A3HY40-REC-SYS COMPONENTS

### A380420-

#### DESCRIPTION

Snooker - Insert for Hypro 40 Recessed - 6.4W LED - 2700K / 3000K / 3500K / 4000K, CRI90, Shine Ring - Optic: 32° / 58°

#### GENERAL

Series: Snooker  
 Partner: Prolight  
 Division: Architectural

#### PHYSICAL

Shape: Sphere  
 Diameter (mm): 72  
 Diameter (in): 2 13/16  
 Height (mm): 71  
 Height (in): 2 13/16  
 Weight (kg): 0.26  
 Fixture Finish: SSR / BKV / CWI / CRY / HAB / UFT / ITA / RUA / FTG / MYG / LOD / PUS / FRO / FUP / KIA / POP / BLS / SPG / MEY / GOH / CHC / COM / ABZ / JAG / OBR / MOS / ROR  
 Accent Finish: OPL / YEL / ORA / RED / BLU / GRN  
 Fixture Material: Glass / Aluminum

#### ELECTRICAL

Input Wattage Range: 1 - 9 W  
 Lamp Type: LED (Zhaga Standard)  
 Input Wattage (W): 6  
 Total Output Wattage (W): 5.4  
 Dimming: Non-Dimmable / 0-10V Dimming  
 Driver Included: Yes  
 Driver Location: Integrated  
 Driver Type: Constant Current - 120Vac  
 Driver Class: Class 2  
 Input Voltage (V): 120  
 Constant Current (mA): 500

#### LED

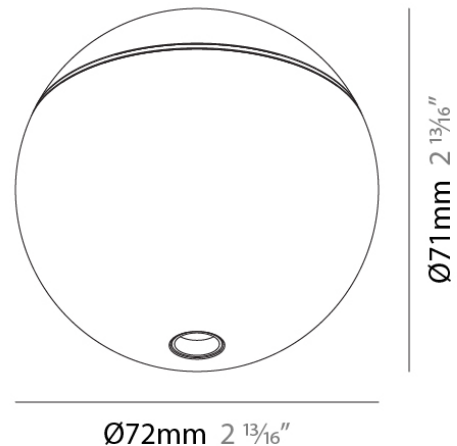
Delivered Lumen Range: 100 - 499 lm  
 Color Temperature (°K): 2700 / 3000 / 3500 / 4000  
 Max. Delivered Lumen (lm): 284 / 300 / 319 / 325  
 Nominal Lumen (lm): 461 / 487 / 517 / 528  
 CRI: >90 CRI  
 Lamp Life (hrs): 50000

#### OPTICAL

Optic°: 32 / 58

#### RATINGS AND CERTIFICATIONS

Certified By: Certified for North American Standards  
 IP rating: IP20



PROJECT
TYPE
NOTES
QUANTITY
DATE

## A3HY40-REC-SYS COMPONENTS

### A380432-

#### DESCRIPTION

Hypline - 40 Rico - Hypro 40 Linear Insert 705mm for HYPRO 40 Recessed: 17W LED - 2700K / 3000K / 3500K / 4000K - CRI 90 - Dimmable

#### GENERAL

Series: Hypro  
 Subseries: Hypro 40  
 Partner: Prolight  
 Division: Architectural

#### PHYSICAL

Shape: Rectangle  
 Length (mm): 705  
 Length (in): 27 <sup>3</sup>/<sub>4</sub>  
 Width (mm): 29  
 Width (in): 1 <sup>1</sup>/<sub>8</sub>  
 Height (mm): 50  
 Height (in): 1 <sup>15</sup>/<sub>16</sub>  
 Fixture Material: Aluminum

#### ELECTRICAL

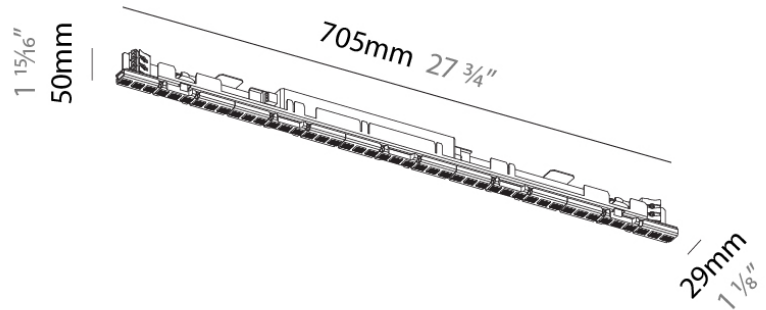
Input Wattage Range: 10 - 19 W  
 Lamp Type: LED (Zhaga Standard)  
 Input Wattage (W): 16.1  
 Total Output Wattage (W): 14.6  
 Dimming: Non-Dimmable / 0-10V Dimming  
 Driver Included: Yes  
 Driver Location: Integrated  
 Driver Type: Constant Current - Universal  
 Driver Class: Class 2  
 Input Voltage (V): 120 - 277

#### LED

Delivered Lumen Range: 1000 - 1999 lm  
 Color Temperature (°K): 2700 / 3000 / 3500 / 4000  
 Max. Delivered Lumen (lm): 1383 / 1437 / 1500 / 1531  
 Nominal Lumen (lm): 2028 / 2107 / 2199 / 2244  
 CRI: >90 CRI  
 Lamp Life (hrs): 50000

#### RATINGS AND CERTIFICATIONS

Certified By: Certified for North American Standards  
 IP rating: IP20



PROJECT
TYPE
NOTES
QUANTITY
DATE

## A3HY40-REC-SYS COMPONENTS

### A380440-

#### DESCRIPTION

Hypline - 40 Rico - Hypro 40 Linear Insert 1128mm / 44 7/16" for HYPRO 40 Recessed: 26.4W LED - 2700K / 3000K / 3500K / 4000K - CRI 90 - Dimmable

#### GENERAL

Series: Hypro  
 Subseries: Hypro 40  
 Partner: Prolicht  
 Division: Architectural

#### PHYSICAL

Shape: Rectangle  
 Length (mm): 1128  
 Length (in): 44 7/16  
 Width (mm): 39  
 Width (in): 1 5/16  
 Height (mm): 50  
 Height (in): 1 15/16  
 Fixture Material: Aluminum

#### ELECTRICAL

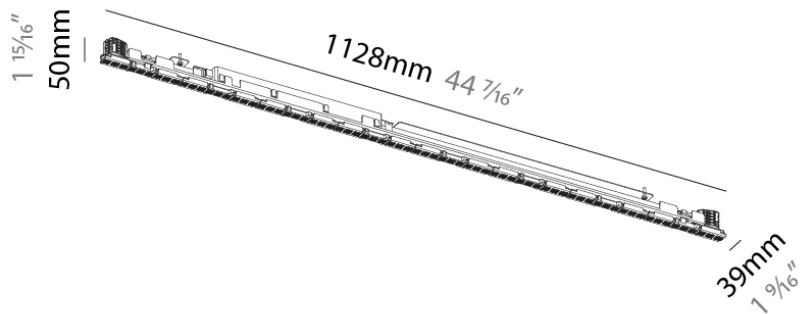
Input Wattage Range: 20 - 29 W  
 Lamp Type: LED (Zhaga Standard)  
 Input Wattage (W): 25.8  
 Total Output Wattage (W): 23.5  
 Dimming: Non-Dimmable / 0-10V Dimming  
 Driver Included: Yes  
 Driver Location: Integrated  
 Driver Type: Constant Current - Universal  
 Driver Class: Class 2  
 Input Voltage (V): 120 - 277

#### LED

Delivered Lumen Range: 2000 - 2999 lm  
 Color Temperature (°K): 2700 / 3000 / 3500 / 4000  
 Max. Delivered Lumen (lm): 2213 / 2299 / 2400 / 2449  
 Nominal Lumen (lm): 3245 / 3371 / 3519 / 3591  
 CRI: >90 CRI  
 Lamp Life (hrs): 50000

#### RATINGS AND CERTIFICATIONS

Certified By: Certified for North American Standards  
 IP rating: IP20



PROJECT
TYPE
NOTES
QUANTITY
DATE

## A3HY40-REC-SYS COMPONENTS

### A380448-

#### DESCRIPTION

Hypline - 40 Rico - Hypro 40 Linear Insert 1408mm / 55 7/16" for HYPRO 40 Recessed: 33W LED - 2700K / 3000K / 3500K / 4000K - CRI 90 - Dimmable

#### GENERAL

Series: Hypro  
 Subseries: Hypro 40  
 Partner: Prolicht  
 Division: Architectural

#### PHYSICAL

Shape: Rectangle  
 Length (mm): 1408  
 Length (in): 55 7/16  
 Width (mm): 39  
 Width (in): 1 9/16  
 Height (mm): 50  
 Height (in): 1 15/16  
 Fixture Material: Aluminum

#### ELECTRICAL

Input Wattage Range: 30 - 49 W  
 Lamp Type: LED (Zhaga Standard)  
 Input Wattage (W): 32.2  
 Total Output Wattage (W): 29.3  
 Dimming: Non-Dimmable / 0-10V Dimming  
 Driver Included: Yes  
 Driver Location: Integrated  
 Driver Type: Constant Current - Universal  
 Driver Class: Class 2  
 Input Voltage (V): 120 - 277

#### LED

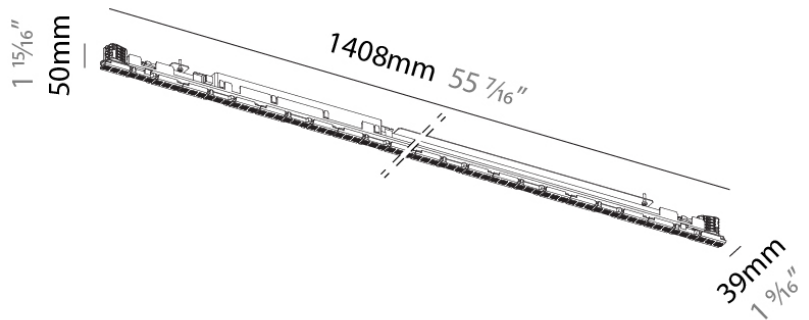
Delivered Lumen Range: 2000 - 3999 lm  
 Color Temperature (°K): 2700 / 3000 / 3500 / 4000  
 Max. Delivered Lumen (lm): 2767 / 2874 / 3000 / 3061  
 Nominal Lumen (lm): 4057 / 4214 / 4399 / 4489  
 CRI: >90 CRI  
 Lamp Life (hrs): 50000

#### OPTICAL

Beam Angle: 62

#### RATINGS AND CERTIFICATIONS

Certified By: Certified for North American Standards  
 IP rating: IP20



## A3HY40-REC-SYS COMPONENTS TRACK

### A380490-

#### DESCRIPTION

Magiq 4 Korona - Hypro 40 Profile Recessed Insert - 13.3W LED (Zhaga Standard) - 2700K / 3000K / 3500K / 4000K - Reflectors 8° / 14° / 34°

#### GENERAL

Series: Magiq  
 Subseries: Magiq 4 Cell Korona  
 Partner: Prolicht  
 Division: Architectural  
 Installation: Track  
 Product Type: Downlight  
 Mounting Location: Ceiling  
 Light Distribution: Direct

#### PHYSICAL

Aperture Sizes - Downlights: 1"  
 Shape: Rectangle  
 Length (mm): 650  
 Length (in): 25 <sup>7</sup>/<sub>16</sub>  
 Width (mm): 35  
 Width (in): 1 <sup>3</sup>/<sub>8</sub>  
 Height (mm): 72  
 Height (in): 2 <sup>13</sup>/<sub>16</sub>  
 Weight (kg): 0.577  
 Weight (lbs): 1.27  
 Fixture Finish: SSR / BKV / CWI / CRY / HAB / UFT / ITA / RUA / FTG / MYG / LOD / PUS / FRO / FUP / KIA / POP / BLS / SPG / MEY / GOH / CHC / COM / ABZ / JAG / OBR / MOS / ROR  
 Holder Finish: WHI / BLK  
 Fixture Material: Aluminum Die Cast

#### ELECTRICAL

Input Wattage Range: 10 - 19 W  
 Lamp Type: LED (Zhaga Standard)  
 Input Wattage (W): 13.3  
 Total Output Wattage (W): 12.1  
 Dimming: Tri-Mode (Non-Dimming and Phase Dimming (120Vac only) and 0-10V Dimming)  
 Driver Included: Yes  
 Driver Location: Integrated  
 Driver Type: Constant Current - Universal  
 Driver Class: Class 2  
 Input Voltage (V): 120 - 277  
 Constant Current (MA): 1050

#### LED

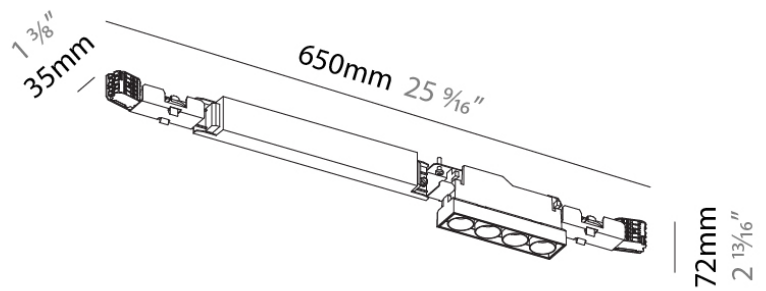
Delivered Lumen Range: 500 - 999 lm  
 Number of LEDs: 4  
 Color Temperature (°K): 2700 / 3000 / 3500 / 4000  
 Max. Delivered Lumen (lm): 781 / 843 / 860 / 878  
 Nominal Lumen (lm): 880 / 954 / 970 / 990  
 CRI: >90 CRI  
 Lamp Life (hrs): 50000

#### OPTICAL

Reflector°: 8 / 14 / 34

#### RATINGS AND CERTIFICATIONS

Certified By: Certified for North American Standards  
 IP rating: IP20



PROJECT
TYPE
NOTES
QUANTITY
DATE

## A3HY40-REC-SYS COMPONENTS TRACK

### A380492-

#### DESCRIPTION

Magiq 4 Micro Dot - Hypro 40 Profile Recessed Insert - 13.3W LED (Zhaga Standard) - 2700K / 3000K / 3500K / 4000K - Black - Lens 22° / 38°

#### GENERAL

Series: Magiq Micro Dot  
 Subseries: Magiq 4 Cell Micro-Dot  
 Partner: Prolight  
 Division: Architectural  
 Installation: Track  
 Product Type: Downlight  
 Mounting Location: Ceiling  
 Light Distribution: Downlight

#### PHYSICAL

Aperture Sizes - Downlights: 1"  
 Shape: Rectangle  
 Length (mm): 650  
 Length (in): 25 7/16  
 Width (mm): 35  
 Width (in): 1 3/8  
 Height (mm): 72  
 Height (in): 2 13/16  
 Weight (kg): 0.577  
 Weight (lbs): 1.27  
 Fixture Finish: BLK  
 Fixture Material: Aluminum Die Cast

#### ELECTRICAL

Input Wattage Range: 10 - 19 W  
 Lamp Type: LED (Zhaga Standard)  
 Input Wattage (W): 13.3  
 Total Output Wattage (W): 12.1  
 Dimming: Tri-Mode (Non-Dimming and Phase Dimming (120Vac only) and 0-10V Dimming)  
 Driver Included: Yes  
 Driver Location: Integrated  
 Driver Type: Constant Current - Universal  
 Driver Class: Class 2  
 Input Voltage (V): 120 - 277  
 Constant Current (mA): 1050

#### LED

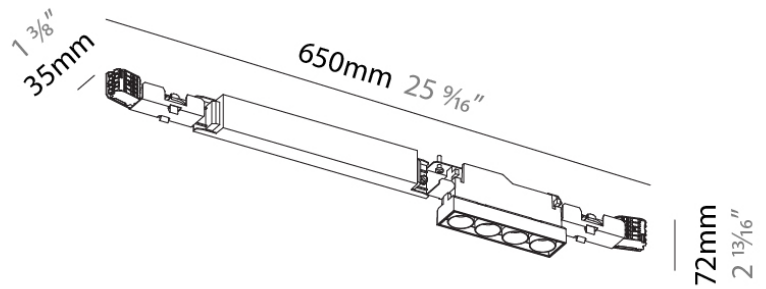
Delivered Lumen Range: 500 - 999 lm  
 Number of LEDs: 4  
 Color Temperature (°K): 2700 / 3000 / 3500 / 4000  
 Max. Delivered Lumen (lm): 640 / 691 / 706 / 720  
 Nominal Lumen (lm): 880 / 954 / 970 / 990  
 CRI: >90 CRI  
 Lamp Life (hrs): 50000

#### OPTICAL

Optic°: 22 / 38

#### RATINGS AND CERTIFICATIONS

Certified By: Certified for North American Standards  
 IP rating: IP20



PROJECT
TYPE
NOTES
QUANTITY
DATE

## A3HY40-REC-SYS COMPONENTS

### A380496-

#### DESCRIPTION

Magiq 4 + 4 - Hypro 40 Profile Recessed Insert - 26.6W LED (Zhaga Standard) - 2700K / 3000K / 3500K / 4000K - Black - Reflectors 8° / 14° / 34°

#### GENERAL

Series: Magiq  
 Subseries: Magiq 4 + 4 Cell  
 Partner: Prolight  
 Division: Architectural  
 Product Type: Downlight  
 Light Distribution: Downlight

#### PHYSICAL

Aperture Sizes - Downlights: 1"  
 Shape: Rectangle  
 Length (mm): 910  
 Length (in): 35 13/16  
 Width (mm): 35  
 Width (in): 1 3/8  
 Height (mm): 72  
 Height (in): 2 13/16  
 Weight (kg): 0.923  
 Weight (lbs): 2.035  
 Fixture Finish: BLK  
 Fixture Material: Aluminum Die Cast

#### ELECTRICAL

Input Wattage Range: 20 - 29 W  
 Lamp Type: LED (Zhaga Standard)  
 Input Wattage (W): 26.6  
 Total Output Wattage (W): 24.2  
 Dimming: Tri-Mode (Non-Dimming and Phase Dimming (120Vac only) and 0-10V Dimming)  
 Driver Included: Yes  
 Driver Location: Integrated  
 Driver Type: Constant Current - Universal  
 Driver Class: Class 2  
 Input Voltage (V): 120 - 277  
 Constant Current (MA): 1050

#### LED

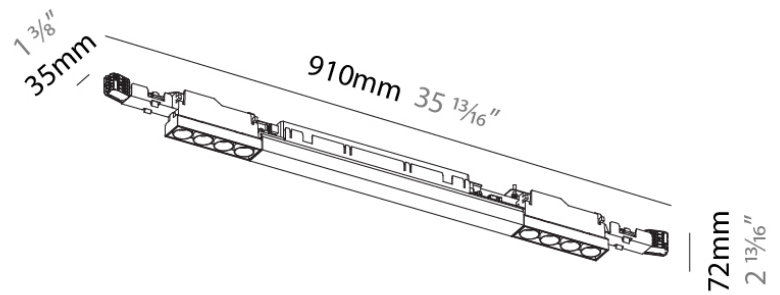
Delivered Lumen Range: 1000 - 1999 lm  
 Number of LEDs: 8  
 Color Temperature (°K): 2700 / 3000 / 3500 / 4000  
 Max. Delivered Lumen (lm): 1561 / 1685 / 1809 / 1756  
 Nominal Lumen (lm): 1761 / 1908 / 1940 / 1980  
 CRI: >90 CRI  
 Lamp Life (hrs): 50000

#### OPTICAL

Reflector°: 8 / 14 / 34

#### RATINGS AND CERTIFICATIONS

Certified By: Certified for North American Standards  
 IP rating: IP20



PROJECT
TYPE
NOTES
QUANTITY
DATE

## A3HY40-REC-SYS COMPONENTS

### A380499-

#### DESCRIPTION

Magiq 4 + 4 Korona - Hypro 40 Profile Recessed Insert - 26.6W LED (Zhaga Standard) - 2700K / 3000K / 3500K / 4000K - Reflectors 8° / 14° / 34°

#### GENERAL

Series: Magiq  
 Subseries: Magiq 4+4 Korona  
 Partner: Prolight  
 Division: Architectural  
 Product Type: Downlight  
 Light Distribution: Downlight

#### PHYSICAL

Aperture Sizes - Downlights: 1"  
 Shape: Rectangle  
 Length (mm): 910  
 Length (in): 35 13/16  
 Width (mm): 35  
 Width (in): 1 3/8  
 Height (mm): 72  
 Height (in): 2 13/16  
 Weight (kg): 0.923  
 Weight (lbs): 2.035  
 Fixture Finish: SSR / BKV / CWI / CRY / HAB / UFT / ITA / RUA / FTG / MYG / LOD / PUS / FRO / FUP / KIA / POP / BLS / SPG / MEY / GOH / CHC / COM / ABZ / JAG / OBR / MOS / ROR  
 Holder Finish: WHI / BLK  
 Fixture Material: Aluminum Die Cast

#### ELECTRICAL

Input Wattage Range: 20 - 29 W  
 Lamp Type: LED (Zhaga Standard)  
 Input Wattage (W): 26.6  
 Total Output Wattage (W): 24.2  
 Dimming: Tri-Mode (Non-Dimming and Phase Dimming (120Vac only) and 0-10V Dimming)  
 Driver Included: Yes  
 Driver Location: Integrated  
 Driver Type: Constant Current - Universal  
 Driver Class: Class 2  
 Input Voltage (V): 120 - 277  
 Constant Current (MA): 1050

#### LED

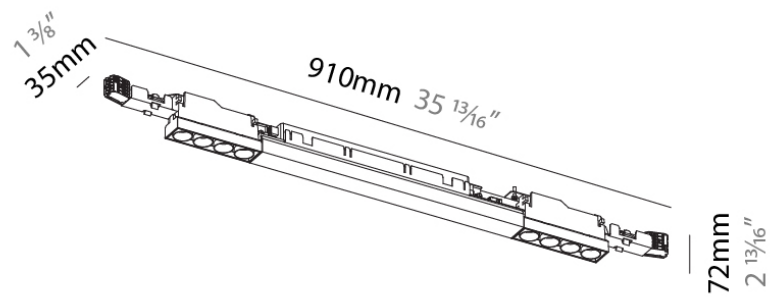
Delivered Lumen Range: 1000 - 1999 lm  
 Number of LEDs: 8  
 Color Temperature (°K): 2700 / 3000 / 3500 / 4000  
 Max. Delivered Lumen (lm): 1561 / 1685 / 1809 / 1756  
 Nominal Lumen (lm): 1761 / 1908 / 1940 / 1980  
 CRI: >90 CRI  
 Lamp Life (hrs): 50000

#### OPTICAL

Reflector°: 8 / 14 / 34

#### RATINGS AND CERTIFICATIONS

Certified By: Certified for North American Standards  
 IP rating: IP20



PROJECT
TYPE
NOTES
QUANTITY
DATE

## A3HY40-REC-SYS COMPONENTS

### A380502-

#### DESCRIPTION

Magiq 4 + 4 Micro Dot - Hypro 40 Profile Recessed Insert - 26.6W LED (Zhaga Standard) - 2700K / 3000K / 3500K / 4000K - Black - Reflectors 22° / 38°

#### GENERAL

Series: Magiq Micro Dot  
 Subseries: Magiq 4+4 Micro Dot  
 Partner: Prolight  
 Division: Architectural  
 Product Type: Downlight  
 Light Distribution: Downlight

#### PHYSICAL

Aperture Sizes - Downlights: 1"  
 Shape: Rectangle  
 Length (mm): 910  
 Length (in): 35 13/16  
 Width (mm): 35  
 Width (in): 1 3/8  
 Height (mm): 72  
 Height (in): 2 13/16  
 Weight (kg): 0.923  
 Weight (lbs): 2.035  
 Fixture Finish: BLK  
 Fixture Material: Aluminum Die Cast

#### ELECTRICAL

Input Wattage Range: 20 - 29 W  
 Lamp Type: LED (Zhaga Standard)  
 Input Wattage (W): 26.6  
 Total Output Wattage (W): 24.2  
 Dimming: Tri-Mode (Non-Dimming and Phase Dimming (120Vac only) and 0-10V Dimming)  
 Driver Included: Yes  
 Driver Location: Integrated  
 Driver Type: Constant Current - Universal  
 Driver Class: Class 2  
 Input Voltage (V): 120 - 277  
 Constant Current (MA): 1050

#### LED

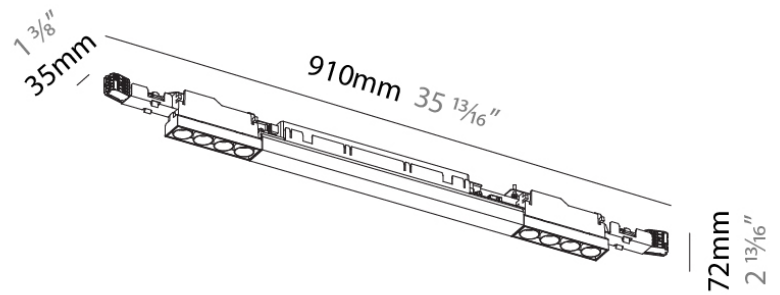
Delivered Lumen Range: 1000 - 1999 lm  
 Number of LEDs: 8  
 Color Temperature (°K): 2700 / 3000 / 3500 / 4000  
 Max. Delivered Lumen (lm): 1280 / 1382 / 1411 / 1440  
 Nominal Lumen (lm): 1761 / 1908 / 1940 / 1980  
 CRI: >90 CRI  
 Lamp Life (hrs): 50000

#### OPTICAL

Reflector°: 8 / 14 / 34

#### RATINGS AND CERTIFICATIONS

Certified By: Certified for North American Standards  
 IP rating: IP20



PROJECT
TYPE
NOTES
QUANTITY
DATE

## A3HY40-REC-SYS COMPONENTS

### A380506-

#### DESCRIPTION

Magiq 8 - Hypro 40 Profile Recessed Insert - 26.6W LED (Zhaga Standard) - 2700K / 3000K / 3500K / 4000K - Black - Reflectors 8° / 18° / 34°

#### GENERAL

Series: Magiq  
 Subseries: Magiq 8 Cell  
 Partner: Prolight  
 Division: Architectural  
 Product Type: Downlight  
 Light Distribution: Downlight

#### PHYSICAL

Aperture Sizes - Downlights: 1"  
 Shape: Rectangle  
 Length (mm): 840  
 Length (in): 33 1/16"  
 Width (mm): 35  
 Width (in): 1 3/8"  
 Height (mm): 72  
 Height (in): 2 13/16"  
 Weight (kg): 0.923  
 Weight (lbs): 2.035  
 Fixture Finish: BLK  
 Fixture Material: Aluminum Die Cast

#### ELECTRICAL

Input Wattage Range: 20 - 29 W  
 Lamp Type: LED (Zhaga Standard)  
 Input Wattage (W): 26.6  
 Total Output Wattage (W): 24.2  
 Dimming: Tri-Mode (Non-Dimming and Phase Dimming (120Vac only) and 0-10V Dimming)  
 Driver Included: Yes  
 Driver Location: Integrated  
 Driver Type: Constant Current - Universal  
 Driver Class: Class 2  
 Input Voltage (V): 120 - 277  
 Constant Current (MA): 1050

#### LED

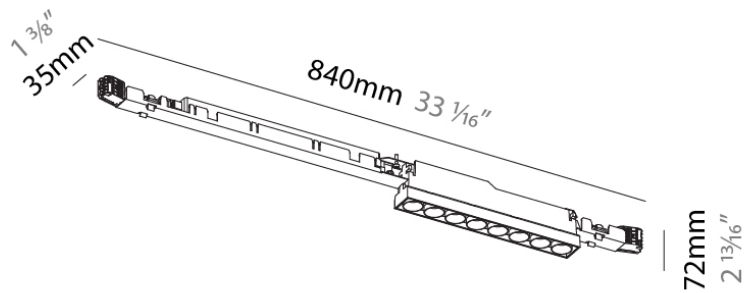
Delivered Lumen Range: 1000 - 1999 lm  
 Number of LEDs: 8  
 Color Temperature (°K): 2700 / 3000 / 3500 / 4000  
 Max. Delivered Lumen (lm): 1561 / 1685 / 1809 / 1756  
 Nominal Lumen (lm): 1761 / 1908 / 1940 / 1980  
 CRI: >90 CRI  
 Lamp Life (hrs): 50000

#### OPTICAL

Reflector°: 8 / 14 / 34

#### RATINGS AND CERTIFICATIONS

Certified By: Certified for North American Standards  
 IP rating: IP20



PROJECT
TYPE
NOTES
QUANTITY
DATE

## A3HY40-REC-SYS COMPONENTS

### A380509-

#### DESCRIPTION

Magiq 8 Korona - Hypro 40 Profile Recessed Insert - 26.6W LED (Zhaga Standard) - 2700K / 3000K / 3500K / 4000K - Black - Reflectors 11° / 22° / 33°

#### GENERAL

Series: Magiq  
 Subseries: Magiq 8 Cell Korona  
 Partner: Prolight  
 Division: Architectural  
 Product Type: Downlight  
 Light Distribution: Downlight

#### PHYSICAL

Aperture Sizes - Downlights: 1"  
 Shape: Rectangle  
 Length (mm): 840  
 Length (in): 33 1/16"  
 Width (mm): 35  
 Width (in): 1 3/8"  
 Height (mm): 72  
 Height (in): 2 13/16"  
 Weight (kg): 1.131  
 Weight (lbs): 2.49  
 Fixture Finish: SSR / BKV / CWI / CRY / HAB / UFT / ITA / RUA / FTG / MYG / LOD / PUS / FRO / FUP / KIA / POP / BLS / SPG / MEY / GOH / CHC / COM / ABZ / JAG / OBR / MOS / ROR  
 Fixture Material: Aluminum Die Cast

#### ELECTRICAL

Input Wattage Range: 20 - 29 W  
 Lamp Type: LED (Zhaga Standard)  
 Input Wattage (W): 26.6  
 Total Output Wattage (W): 24.2  
 Dimming: Tri-Mode (Non-Dimming and Phase Dimming (120Vac only) and 0-10V Dimming)  
 Driver Included: Yes  
 Driver Location: Integrated  
 Driver Type: Constant Current - Universal  
 Driver Class: Class 2  
 Input Voltage (V): 120 - 277  
 Constant Current (mA): 1050

#### LED

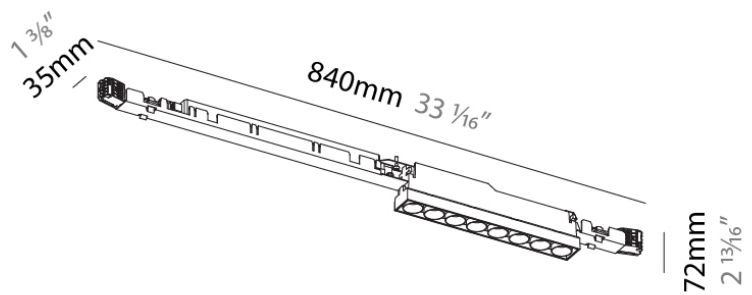
Delivered Lumen Range: 1000 - 1999 lm  
 Number of LEDs: 8  
 Color Temperature (°K): 2700 / 3000 / 3500 / 4000  
 Max. Delivered Lumen (lm): 1561 / 1685 / 1809 / 1756  
 Nominal Lumen (lm): 1761 / 1908 / 1940 / 1980  
 CRI: >90 CRI  
 Lamp Life (hrs): 50000

#### OPTICAL

Reflector°: 11 / 22 / 33

#### RATINGS AND CERTIFICATIONS

Certified By: Certified for North American Standards  
 IP rating: IP20



PROJECT
TYPE
NOTES
QUANTITY
DATE

## A3HY40-REC-SYS COMPONENTS

### A380515-

#### DESCRIPTION

Magiq 8 + 8 - Hypro 40 Profile Recessed Insert - 53.2W LED (Zhaga Standard) - 2700K / 3000K / 3500K / 4000K - Black - Reflectors 11° / 22° / 33°

#### GENERAL

Series: Magiq  
 Subseries: Magiq 8 + 8 Cell  
 Partner: Prolight  
 Division: Architectural  
 Product Type: Downlight  
 Light Distribution: Downlight

#### PHYSICAL

Aperture Sizes - Downlights: 1"  
 Shape: Rectangle  
 Length (mm): 1170  
 Length (in): 46 1/16  
 Width (mm): 35  
 Width (in): 1 3/8  
 Height (mm): 72  
 Height (in): 2 13/16  
 Weight (kg): 1.73  
 Weight (lbs): 3.81  
 Fixture Material: Aluminum Die Cast

#### ELECTRICAL

Input Wattage Range: 50 - 79 W  
 Lamp Type: LED (Zhaga Standard)  
 Input Wattage (W): 53.2  
 Total Output Wattage (W): 48.4  
 Dimming: Tri-Mode (Non-Dimming and Phase Dimming (120Vac only) and 0-10V Dimming)  
 Driver Included: Yes  
 Driver Location: Integrated  
 Driver Type: Constant Current - Universal  
 Driver Class: Class 2  
 Input Voltage (V): 120 - 277  
 Constant Current (mA): 1050

#### LED

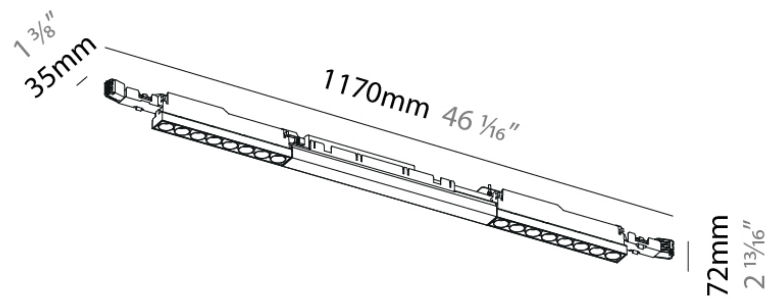
Delivered Lumen Range: 2000 - 3999 lm  
 Number of LEDs: 16  
 Color Temperature (°K): 2700 / 3000 / 3500 / 4000  
 Max. Delivered Lumen (lm): 3312 / 3371 / 3443 / 3513  
 Nominal Lumen (lm): 3521 / 3816 / 3882 / 3961  
 CRI: >90 CRI  
 Lamp Life (hrs): 50000

#### OPTICAL

Reflector°: 11 / 22 / 33

#### RATINGS AND CERTIFICATIONS

Certified By: Certified for North American Standards  
 IP rating: IP20



PROJECT
TYPE
NOTES
QUANTITY
DATE

## A3HY40-REC-SYS COMPONENTS

### A380521-

#### DESCRIPTION

Magiq 8 + 8 Micro Dot - Hypro 40 Profile Recessed Insert - 53.2W LED (Zhaga Standard) - Black - 2700K / 3000K / 3500K / 4000K - Optics: 21° / 38°

#### GENERAL

Series: Magiq Micro Dot  
 Subseries: Magiq 8 + 8 Cell Micro Dot  
 Partner: Prolight  
 Division: Architectural  
 Product Type: Downlight  
 Light Distribution: Downlight

#### PHYSICAL

Aperture Sizes - Downlights: 1"  
 Shape: Rectangle  
 Length (mm): 1170  
 Length (in): 46 1/16"  
 Width (mm): 35  
 Width (in): 1 3/8"  
 Height (mm): 72  
 Height (in): 2 13/16"  
 Weight (kg): 1.769  
 Weight (lbs): 3.9  
 Fixture Finish: SSR / BKV / CWI / CRY / HAB / UFT / ITA / RUA / FTG / MYG / LOD / PUS / FRO / FUP / KIA / POP / BLS / SPG / MEY / GOH / CHC / COM / ABZ / JAG / OBR / MOS / ROR  
 Fixture Material: Aluminum Die Cast

#### ELECTRICAL

Input Wattage Range: 50 - 79 W  
 Lamp Type: LED (Zhaga Standard)  
 Input Wattage (W): 53.2  
 Total Output Wattage (W): 48.4  
 Dimming: Tri-Mode (Non-Dimming and Phase Dimming (120Vac only) and 0-10V Dimming)  
 Driver Included: Yes  
 Driver Location: Integrated  
 Driver Type: Constant Current - Universal  
 Driver Class: Class 2  
 Input Voltage (V): 120 - 277  
 Constant Current (MA): 1050

#### LED

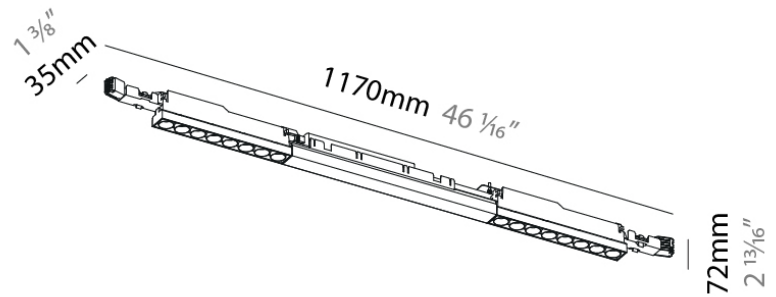
Delivered Lumen Range: 2000 - 2999 lm  
 Number of LEDs: 16  
 Color Temperature (°K): 2700 / 3000 / 3500 / 4000  
 Max. Delivered Lumen (lm): 2560 / 2763 / 2822 / 2880  
 Nominal Lumen (lm): 3521 / 3816 / 3882 / 3961  
 CRI: >90 CRI  
 Lamp Life (hrs): 50000

#### OPTICAL

Optic°: 21 / 38

#### RATINGS AND CERTIFICATIONS

Certified By: Certified for North American Standards  
 IP rating: IP20



PROJECT
TYPE
NOTES
QUANTITY
DATE

## A3HY40-REC-SYS COMPONENTS

### A380525-

#### DESCRIPTION

Magiq Hollow Wallwash - Hypro 40 Profile Recessed Insert - 18.7W LED (Zhaga Standard) - 2700K / 3000K / 3500K / 4000K - Black

#### GENERAL

Series: Magiq Hollow Wallwash  
 Subseries: Magiq Hollow Wallwash  
 Partner: Prolicht  
 Division: Architectural  
 Product Type: Downlight  
 Light Distribution: Downlight

#### PHYSICAL

Aperture Sizes - Downlights: 1"  
 Shape: Rectangle  
 Length (mm): 660  
 Length (in): 26  
 Width (mm): 35  
 Width (in): 1 3/8  
 Height (mm): 75  
 Height (in): 2 15/16  
 Weight (kg): 0.848  
 Weight (lbs): 1.87  
 Fixture Material: Aluminum Die Cast

#### ELECTRICAL

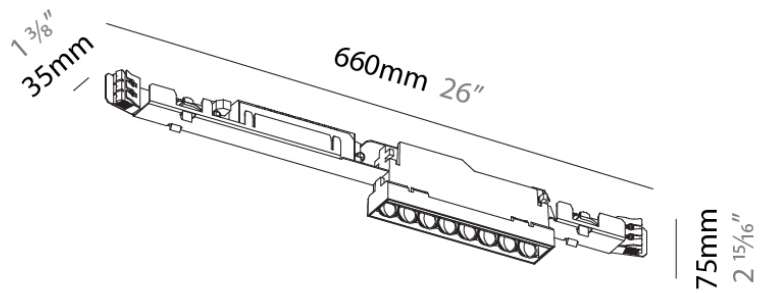
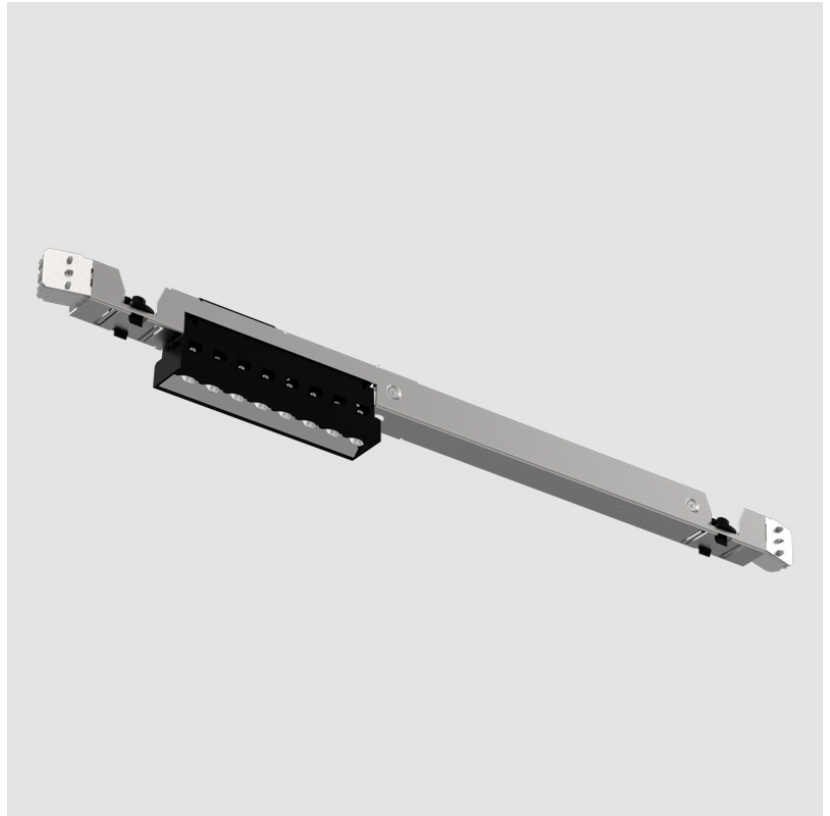
Input Wattage Range: 10 - 19 W  
 Lamp Type: LED (Zhaga Standard)  
 Input Wattage (W): 18.7  
 Total Output Wattage (W): 17.0  
 Dimming: Tri-Mode (Non-Dimming and Phase Dimming (120Vac only) and 0-10V Dimming)  
 Driver Included: Yes  
 Driver Location: Integrated  
 Driver Type: Constant Current - Universal  
 Driver Class: Class 2  
 Input Voltage (V): 120 - 277  
 Constant Current (mA): 700

#### LED

Delivered Lumen Range: 1000 - 1999 lm  
 Number of LEDs: 8  
 Color Temperature (°K): 2700 / 3000 / 3500 / 4000  
 Max. Delivered Lumen (lm): 1270 / 1270 / 1513 / 1544  
 Nominal Lumen (lm): 1328 / 1405 / 1574 / 1606  
 CRI: >90 CRI  
 Lamp Life (hrs): 50000

#### RATINGS AND CERTIFICATIONS

Certified By: Certified for North American Standards  
 IP rating: IP20



PROJECT
TYPE
NOTES
QUANTITY
DATE

## A3HY40-REC-SYS COMPONENTS

### A380528-

#### DESCRIPTION

Magiq Hollow Wallwash Korona - Hypro 40 Profile Recessed Insert - 18.7W LED (Zhaga Standard) - 2700K / 3000K / 3500K / 4000K - Black

#### GENERAL

Series: Magiq Hollow Wallwash  
 Subseries: Magiq Hollow Wallwash Korona  
 Partner: Prolight  
 Division: Architectural  
 Product Type: Wallwash  
 Light Distribution: Asymmetric

#### PHYSICAL

Shape: Rectangle  
 Length (mm): 660  
 Length (in): 26  
 Width (mm): 35  
 Width (in): 1 3/8  
 Height (mm): 75  
 Height (in): 2 15/16  
 Weight (kg): 0.848  
 Weight (lbs): 1.87  
 Fixture Finish: SSR / BKV / CWI / CRY / HAB / UFT / ITA / RUA / FTG / MYG / LOD / PUS / FRO / FUP / KIA / POP / BLS / SPG / MEY / GOH / CHC / COM / ABZ / JAG / OBR / MOS / ROR  
 Fixture Material: Aluminum Die Cast

#### ELECTRICAL

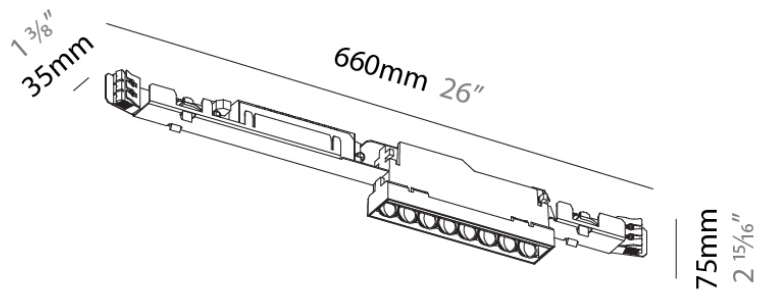
Input Wattage Range: 10 - 19 W  
 Lamp Type: LED (Zhaga Standard)  
 Input Wattage (W): 18.7  
 Total Output Wattage (W): 17.0  
 Dimming: Tri-Mode (Non-Dimming and Phase Dimming (120Vac only) and 0-10V Dimming)  
 Driver Included: Yes  
 Driver Location: Integrated  
 Driver Type: Constant Current - Universal  
 Driver Class: Class 2  
 Input Voltage (V): 120 - 277  
 Constant Current (mA): 700

#### LED

Delivered Lumen Range: 1000 - 1999 lm  
 Number of LEDs: 8  
 Color Temperature (°K): 2700 / 3000 / 3500 / 4000  
 Max. Delivered Lumen (lm): 1270 / 1270 / 1513 / 1544  
 Nominal Lumen (lm): 1328 / 1405 / 1574 / 1606  
 CRI: >90 CRI  
 Lamp Life (hrs): 50000

#### RATINGS AND CERTIFICATIONS

Certified By: Certified for North American Standards  
 IP rating: IP20



PROJECT	
TYPE	
NOTES	
QUANTITY	
DATE	

## A3HY40-REC-SYS COMPONENTS

### A380531-

#### DESCRIPTION

Magiq Wallwash - Hypro 40 Profile Recessed Insert - 31.3W LED (Zhaga Standard) - 2700K / 3000K / 3500K / 4000K - Black

#### GENERAL

Series: Magiq Wallwash  
 Subseries: Magiq Wallwash  
 Partner: Prolight  
 Division: Architectural  
 Product Type: Wallwash  
 Light Distribution: Asymmetric

#### PHYSICAL

Shape: Rectangle  
 Length (mm): 760  
 Length (in): 29 <sup>15</sup>/<sub>16</sub>  
 Width (mm): 35  
 Width (in): 1 <sup>3</sup>/<sub>8</sub>  
 Height (mm): 85  
 Height (in): 3 <sup>3</sup>/<sub>8</sub>  
 Weight (kg): 1.221  
 Weight (lbs): 2.69  
 Fixture Material: Aluminum Die Cast

#### ELECTRICAL

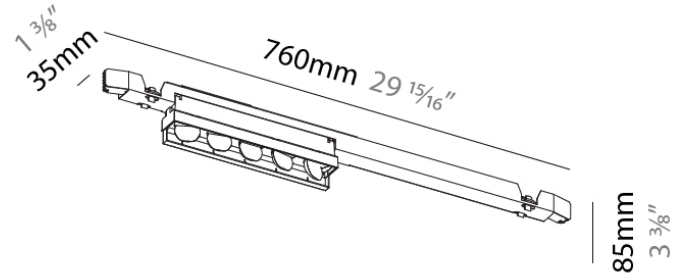
Input Wattage Range: 30 - 49 W  
 Lamp Type: LED (Zhaga Standard)  
 Input Wattage (W): 31.3  
 Total Output Wattage (W): 28.5  
 Dimming: Tri-Mode (Non-Dimming and Phase Dimming (120Vac only) and 0-10V Dimming)  
 Driver Included: Yes  
 Driver Location: Integrated  
 Driver Type: Constant Current - Universal  
 Driver Class: Class 1  
 Input Voltage (V): 120 - 277  
 Constant Current (mA): 500

#### LED

Delivered Lumen Range: 2000 - 2999 lm  
 Number of LEDs: 5  
 Color Temperature (°K): 2700 / 3000 / 3500 / 4000  
 Max. Delivered Lumen (lm): 2125 / 2260 / 2513 / 2564  
 Nominal Lumen (lm): 2550 / 2793 / 2877 / 2936  
 CRI: >90 CRI  
 Lamp Life (hrs): 50000

#### RATINGS AND CERTIFICATIONS

Certified By: Certified for North American Standards  
 IP rating: IP20



## A3HY40-REC-SYS COMPONENTS

### A380534-

#### DESCRIPTION

Sign Diva Tube - Insert Ø400mm / 15 3/4" for Hypro 40 Recessed:  
 17 Watt LED - 2700K / 3000K / 3500K / 4000K - CRI 90 - Dimmable  
 - Shine Ring: No Ring / Opal / Yellow / Orange / Red / Blue /  
 Green - Diffuser: Opal / Micro-Prism / Sparkling Secret / Vintage  
 Industrial

#### GENERAL

Series: Sign Diva Tube

Subseries: Sign Diva Tube

Partner: Prolicht

Division: Architectural

Light Distribution: Direct

#### PHYSICAL

Shape: Round

Diameter (mm): 395

Diameter (in): 15 9/16

Height (mm): 72

Height (in): 2 13/16

Diffuser: PMMA - Opal / Micro-Prism / Sparkling Secret / Vintage  
 Industrial

Fixture Finish: SSR / BKV / CWI / CRY / HAB / UFT / ITA / RUA / FTG /  
 MYG / LOD / PUS / FRO / FUP / KIA / POP / BLS / SPG / MEY / GOH /  
 CHC / COM / ABZ / JAG / OBR / MOS / ROR

Accent Finish: NOR / OPL / YEL / ORA / RED / BLU / GRN

Fixture Material: PMMA / Extruded Aluminum / Steel

#### ELECTRICAL

Input Wattage Range: 10 - 19 W

Lamp Type: LED (Zhaga Standard)

Input Wattage (W): 17

Total Output Wattage (W): 15.4

Dimming: Non-Dimmable / 0-10V Dimming

Driver Included: Yes

Driver Location: Integrated

Driver Type: Constant Current - Universal

Driver Class: Class 2

Input Voltage (V): 120 - 277

Constant Current (mA): 350

Upon Request: Phase Dimming (Trailing/Leading Edge)

#### LED

Delivered Lumen Range: 1000 - 1999 lm

Color Temperature (°K): 2700 / 3000 / 3500 / 4000

Max. Delivered Lumen (lm): 1807 / 1943 / 1951 / 1991

Nominal Lumen (lm): 2250 / 2420 / 2430 / 2480

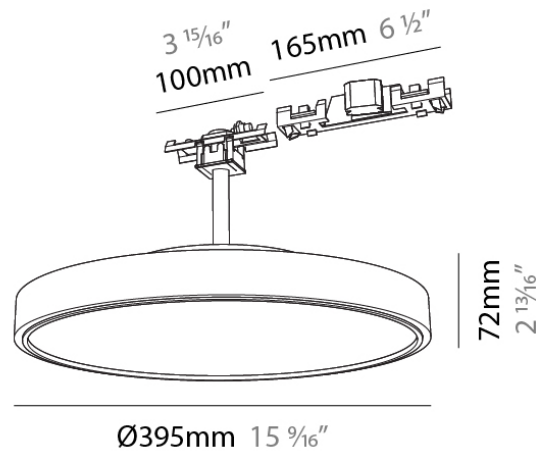
CRI: >90 CRI

Lamp Life (hrs): 50000

#### RATINGS AND CERTIFICATIONS

Certified By: Certified for North American Standards

IP rating: IP20



PROJECT
TYPE
NOTES
QUANTITY
DATE

## A3HY40-REC-SYS COMPONENTS

### A380538-

#### DESCRIPTION

Sign Diva Tube Korona - Insert Ø400mm / 15 3/4" for Hypro 40 Recessed: 17 Watt LED - 2700K / 3000K / 3500K / 4000K - CRI 90 - Dimmable - Diffuser: Opal / Micro-Prism / Sparkling Secret / Vintage Industrial

#### GENERAL

Series: Sign Diva Tube  
 Subseries: Sign Diva Tube Korona  
 Partner: Prolicht  
 Division: Architectural  
 Light Distribution: Direct

#### PHYSICAL

Shape: Round  
 Diameter (mm): 395  
 Diameter (in): 15 9/16  
 Height (mm): 86  
 Height (in): 3 3/8  
 Diffuser: PMMA - Opal / Micro-Prism / Sparkling Secret / Vintage Industrial  
 Fixture Finish: SSR / BKV / CWI / CRY / HAB / UFT / ITA / RUA / FTG / MYG / LOD / PUS / FRO / FUP / KIA / POP / BLS / SPG / MEY / GOH / CHC / COM / ABZ / JAG / OBR / MOS / ROR  
 Fixture Material: PMMA / Extruded Aluminum / Steel

#### ELECTRICAL

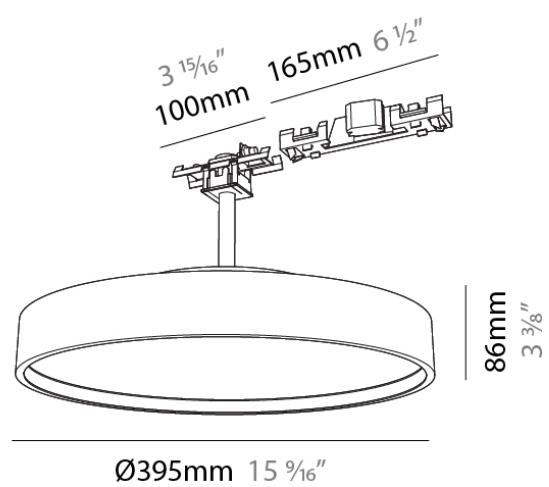
Input Wattage Range: 10 - 19 W  
 Lamp Type: LED (Zhaga Standard)  
 Input Wattage (W): 17  
 Total Output Wattage (W): 15.4  
 Dimming: Non-Dimmable / 0-10V Dimming  
 Driver Included: Yes  
 Driver Location: Integrated  
 Driver Type: Constant Current - Universal  
 Driver Class: Class 2  
 Input Voltage (V): 120 - 277  
 Constant Current (mA): 350  
 Upon Request: Phase Dimming (Trailing/Leading Edge)

#### LED

Delivered Lumen Range: 1000 - 1999 lm  
 Color Temperature (°K): 2700 / 3000 / 3500 / 4000  
 Max. Delivered Lumen (lm): 1807 / 1943 / 1951 / 1991  
 Nominal Lumen (lm): 2250 / 2420 / 2430 / 2480  
 CRI: >90 CRI  
 Lamp Life (hrs): 50000

#### RATINGS AND CERTIFICATIONS

Certified By: Certified for North American Standards  
 IP rating: IP20



PROJECT	
TYPE	
NOTES	
QUANTITY	
DATE	

## A3HY40-REC-SYS COMPONENTS

### A380539-

#### DESCRIPTION

Sign Diva Tube Korona - Insert Ø400mm / 15 3/4" for Hypro 40 Surface: 17 Watt LED - 2700K / 3000K / 3500K / 4000K - CRI 90 - Dimmable - Diffuser: Opal / Micro-Prism / Sparkling Secret / Vintage Industrial

#### GENERAL

Series: Sign Diva Tube  
 Subseries: Sign Diva Tube Korona  
 Partner: Prolicht  
 Division: Architectural  
 Light Distribution: Direct

#### PHYSICAL

Shape: Round  
 Diameter (mm): 395  
 Diameter (in): 15 9/16  
 Height (mm): 86  
 Height (in): 3 3/8  
 Diffuser: PMMA - Opal / Micro-Prism / Sparkling Secret / Vintage Industrial  
 Fixture Finish: SSR / BKV / CWI / CRY / HAB / UFT / ITA / RUA / FTG / MYG / LOD / PUS / FRO / FUP / KIA / POP / BLS / SPG / MEY / GOH / CHC / COM / ABZ / JAG / OBR / MOS / ROR  
 Fixture Material: PMMA / Extruded Aluminum / Steel

#### ELECTRICAL

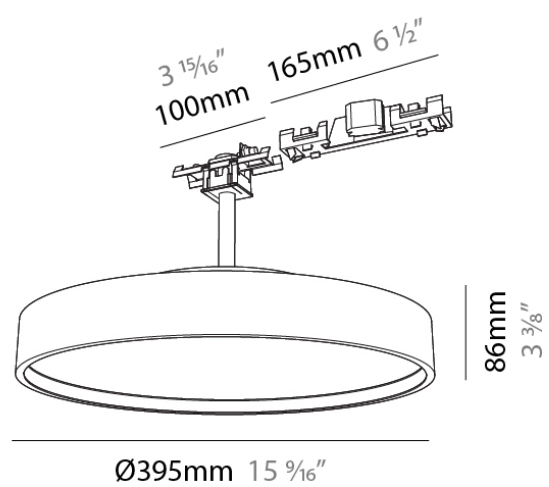
Input Wattage Range: 10 - 19 W  
 Lamp Type: LED (Zhaga Standard)  
 Input Wattage (W): 17  
 Total Output Wattage (W): 15.4  
 Dimming: Non-Dimmable / 0-10V Dimming  
 Driver Included: Yes  
 Driver Location: Integrated  
 Driver Type: Constant Current - Universal  
 Driver Class: Class 2  
 Input Voltage (V): 120 - 277  
 Constant Current (mA): 350  
 Upon Request: Phase Dimming (Trailing/Leading Edge)

#### LED

Delivered Lumen Range: 1000 - 1999 lm  
 Color Temperature (°K): 2700 / 3000 / 3500 / 4000  
 Max. Delivered Lumen (lm): 1807 / 1943 / 1951 / 1991  
 Nominal Lumen (lm): 2250 / 2420 / 2430 / 2480  
 CRI: >90 CRI  
 Lamp Life (hrs): 50000

#### RATINGS AND CERTIFICATIONS

Certified By: Certified for North American Standards  
 IP rating: IP20



## A3HY40-REC-SYS COMPONENTS

### A380542-

#### DESCRIPTION

Sign Diva Tube - Insert Ø570mm / 22 7/16" for Hypro 40  
 Recessed: 49 Watt LED - 2700K / 3000K / 3500K / 4000K - CRI 90 -  
 Dimmable - Shine Ring: No Ring / Opal / Yellow / Orange / Red /  
 Blue / Green - Diffuser: Opal / Micro-Prism / Sparkling Secret /  
 Vintage Industrial

#### GENERAL

Series: Sign Diva Tube

Subseries: Sign Diva Tube

Partner: Prolight

Division: Architectural

Light Distribution: Direct

#### PHYSICAL

Shape: Round

Diameter (mm): 570

Diameter (in): 22 7/16

Height (mm): 72

Height (in): 2 13/16

Diffuser: PMMA - Opal / Micro-Prism / Sparkling Secret / Vintage Industrial

Fixture Finish: SSR / BKV / CWI / CRY / HAB / UFT / ITA / RUA / FTG / MYG / LOD / PUS / FRO / FUP / KIA / POP / BLS / SPG / MEY / GOH / CHC / COM / ABZ / JAG / OBR / MOS / ROR

Accent Finish: NOR / OPL / YEL / ORA / RED / BLU / GRN

Fixture Material: PMMA / Extruded Aluminum / Steel

#### ELECTRICAL

Input Wattage Range: 30 - 49 W

Lamp Type: LED (Zhaga Standard)

Input Wattage (W): 49

Total Output Wattage (W): 44.6

Dimming: Non-Dimmable / 0-10V Dimming

Driver Included: Yes

Driver Location: Integrated

Driver Type: Constant Current - Universal

Driver Class: Class 2

Input Voltage (V): 120 - 277

Constant Current (mA): 350

Upon Request: Phase Dimming (Trailing/Leading Edge)

#### LED

Delivered Lumen Range: 5000 - 9999 lm

Color Temperature (°K): 2700 / 3000 / 3500 / 4000

Max. Delivered Lumen (lm): 4978 / 5337 / 5384 / 5494

Nominal Lumen (lm): 6199 / 6646 / 6705 / 6842

CRI: >90 CRI

Lamp Life (hrs): 50000

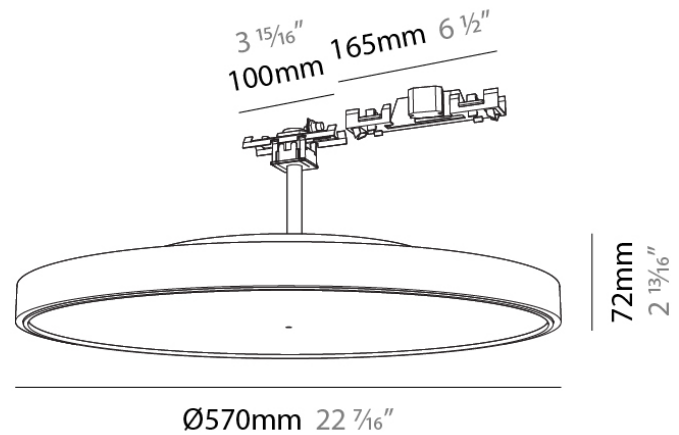
#### OPTICAL

Beam Angle: 110

#### RATINGS AND CERTIFICATIONS

Certified By: Certified for North American Standards

IP rating: IP20



PROJECT
TYPE
NOTES
QUANTITY
DATE

## A3HY40-REC-SYS COMPONENTS

### A380546-

#### DESCRIPTION

Sign Diva Tube Korona - Insert Ø570mm / 22 7/16" for Hypro 40 Recessed: 49 Watt LED - 2700K / 3000K / 3500K / 4000K - CRI 90 - Dimmable - Diffuser: Opal / Micro-Prism / Sparkling Secret / Vintage Industrial

#### GENERAL

Series: Sign Diva Tube  
 Subseries: Sign Diva Tube Korona  
 Partner: Prolicht  
 Division: Architectural  
 Light Distribution: Direct

#### PHYSICAL

Shape: Round  
 Diameter (mm): 570  
 Diameter (in): 22 7/16  
 Height (mm): 86  
 Height (in): 3 3/8  
 Diffuser: PMMA - Opal / Micro-Prism / Sparkling Secret / Vintage Industrial  
 Fixture Finish: SSR / BKV / CWI / CRY / HAB / UFT / ITA / RUA / FTG / MYG / LOD / PUS / FRO / FUP / KIA / POP / BLS / SPG / MEY / GOH / CHC / COM / ABZ / JAG / OBR / MOS / ROR  
 Fixture Material: PMMA / Extruded Aluminum / Steel

#### ELECTRICAL

Input Wattage Range: 30 - 49 W  
 Lamp Type: LED (Zhaga Standard)  
 Input Wattage (W): 49  
 Total Output Wattage (W): 44.6  
 Dimming: Non-Dimmable / 0-10V Dimming  
 Driver Included: Yes  
 Driver Location: Integrated  
 Driver Type: Constant Current - Universal  
 Driver Class: Class 2  
 Input Voltage (V): 120 - 277  
 Constant Current (mA): 350  
 Upon Request: Phase Dimming (Trailing/Leading Edge)

#### LED

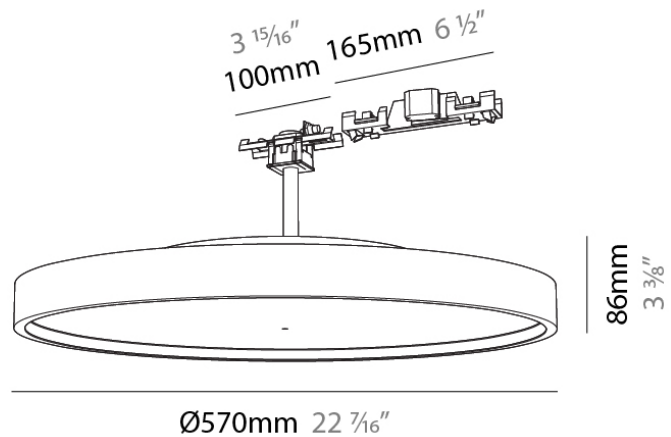
Delivered Lumen Range: 5000 - 9999 lm  
 Color Temperature (°K): 2700 / 3000 / 3500 / 4000  
 Max. Delivered Lumen (lm): 4978 / 5337 / 5384 / 5494  
 Nominal Lumen (lm): 6199 / 6646 / 6705 / 6842  
 CRI: >90 CRI  
 Lamp Life (hrs): 50000

#### OPTICAL

Beam Angle: 110

#### RATINGS AND CERTIFICATIONS

Certified By: Certified for North American Standards  
 IP rating: IP20



PROJECT
TYPE
NOTES
QUANTITY
DATE

## A3HY40-REC-SYS COMPONENTS

### A380550-

#### DESCRIPTION

Hadi-M Suspended - Insert 1242mm / 48 7/8" x 240mm / 9 7/16"  
for Hypro 40 Recessed - Direct - 37W LED - 3000K / 3500K / 4000K  
- CRI 90 - Non-Dimming

#### GENERAL

Series: Hadi  
Subseries: Hadi-M Suspended  
Partner: Prolicht  
Division: Architectural  
Light Distribution: Direct

#### PHYSICAL

Shape: Round  
Length (mm): 1242  
Length (in): 48 7/8  
Width (mm): 240  
Width (in): 9 7/16  
Height (mm): 48  
Height (in): 1 7/8  
Fixture Finish: SSR / BKV / CWI / CRY / HAB / UFT / ITA / RUA / FTG / MYG / LOD / PUS / FRO / FUP / KIA / POP / BLS / SPG / MEY / GOH / CHC / COM / ABZ / JAG / OBR / MOS / ROR  
Fixture Material: Extruded Aluminum / Steel  
Cable Details: 2,000mm or 6,000mm Transparent Cable

#### ELECTRICAL

Input Wattage Range: 30 - 49 W  
Lamp Type: LED (Zhaga Standard)  
Input Wattage (W): 37  
Total Output Wattage (W): 33.6  
Dimming: Tri-Mode (Non-Dimming and Phase Dimming (120Vac only) and 0-10V Dimming)  
Driver Included: Yes  
Driver Location: Integrated  
Driver Type: Constant Current - Universal  
Driver Class: Class 2  
Input Voltage (V): 120 - 277  
Constant Current (mA): 900

#### LED

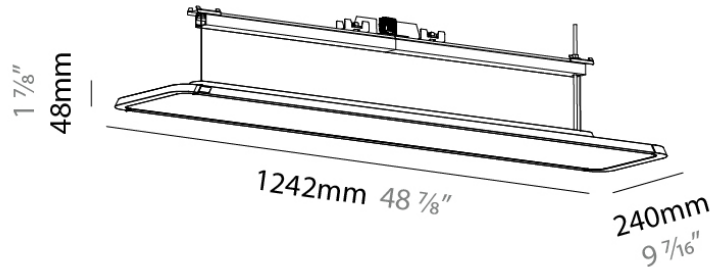
Delivered Lumen Range: 3000 - 4999 lm  
Color Temperature (°K): 3000 / 3500 / 4000  
Max. Delivered Lumen (lm): 4269 / 4265 / 4352  
Nominal Lumen (lm): 4796 / 4971 / 5072  
CRI: >90 CRI  
Lamp Life (hrs): 50000

#### OPTICAL

Beam Angle: 90  
Adjustability: Fixed

#### RATINGS AND CERTIFICATIONS

Certified By: Certified for North American Standards  
IP rating: IP20



PROJECT
TYPE
NOTES
QUANTITY
DATE

## A3HY40-REC-SYS COMPONENTS

### A380554-

#### DESCRIPTION

Hadi-M Suspended - Insert 1242mm / 48 7/8" x 240mm / 9 7/16"  
for Hypro 40 Recessed - Direct / Indirect - 78W LED - 3000K /  
3500K / 4000K - CRI 90 - Non-Dimming

#### GENERAL

Series: Hadi  
Subseries: Hadi-M Suspended  
Partner: Prolicht  
Division: Architectural  
Light Distribution: Direct

#### PHYSICAL

Shape: Round  
Length (mm): 1242  
Length (in): 48 7/8  
Width (mm): 240  
Width (in): 9 7/16  
Height (mm): 48  
Height (in): 1 7/8  
Fixture Finish: SSR / BKV / CWI / CRY / HAB / UFT / ITA / RUA / FTG /  
MYG / LOD / PUS / FRO / FUP / KIA / POP / BLS / SPG / MEY / GOH /  
CHC / COM / ABZ / JAG / OBR / MOS / ROR  
Fixture Material: Extruded Aluminum / Steel  
Cable Details: 2,000mm or 6,000mm Transparent Cable

#### ELECTRICAL

Input Wattage Range: 50 - 79 W  
Lamp Type: LED (Zhaga Standard)  
Input Wattage (W): 78  
Total Output Wattage (W): 70.9  
Dimming: Non-Dimmable / 0-10V Dimming  
Driver Included: Yes  
Driver Location: Integrated  
Driver Type: Constant Current - Universal  
Driver Class: Class 2  
Input Voltage (V): 120 - 277

#### LED

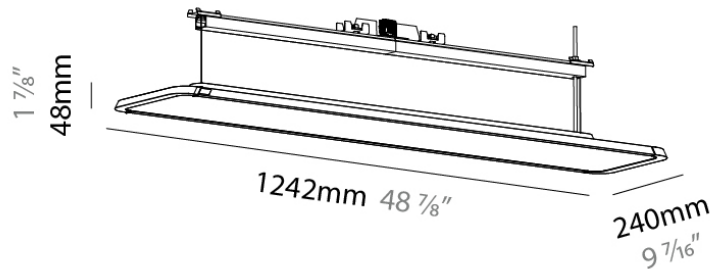
Delivered Lumen Range: 5000 - 9999 lm  
Color Temperature (°K): 3000 / 3500 / 4000  
Max. Delivered Lumen (lm): 5998 / 5997 / 6119  
Nominal Lumen (lm): 9801 / 9799 / 9999  
CRI: >90 CRI  
Lamp Life (hrs): 50000

#### OPTICAL

Beam Angle: 90  
Adjustability: Fixed

#### RATINGS AND CERTIFICATIONS

Certified By: Certified for North American Standards  
IP rating: IP20



PROJECT	
TYPE	
NOTES	
QUANTITY	
DATE	

## A3HY40-REC-SYS COMPONENTS

### A380558-

#### DESCRIPTION

Hadi Q Suspended - Insert 1403mm / 55 1/4" x 240mm / 9 7/16" for Hypro 40 Recessed - Direct - 37W LED - 3000K / 3500K / 4000K - CRI 90 - Non-Dimming

#### GENERAL

Series: Hadi  
 Subseries: Hadi-Q Suspended  
 Partner: Prolicht  
 Division: Architectural  
 Light Distribution: Direct

#### PHYSICAL

Shape: Round  
 Length (mm): 1403  
 Length (in): 55 1/4  
 Width (mm): 240  
 Width (in): 9 7/16  
 Height (mm): 48  
 Height (in): 1 7/8  
 Fixture Finish: SSR / BKV / CWI / CRY / HAB / UFT / ITA / RUA / FTG / MYG / LOD / PUS / FRO / FUP / KIA / POP / BLS / SPG / MEY / GOH / CHC / COM / ABZ / JAG / OBR / MOS / ROR  
 Fixture Material: Extruded Aluminum / Steel  
 Cable Details: 2,000mm or 6,000mm Transparent Cable

#### ELECTRICAL

Input Wattage Range: 30 - 49 W  
 Lamp Type: LED (Zhaga Standard)  
 Input Wattage (W): 37  
 Total Output Wattage (W): 33.6  
 Dimming: Tri-Mode (Non-Dimming and Phase Dimming (120Vac only) and 0-10V Dimming)  
 Driver Included: Yes  
 Driver Location: Integrated  
 Driver Type: Constant Current - Universal  
 Driver Class: Class 2  
 Input Voltage (V): 120 - 277  
 Constant Current (MA): 900

#### LED

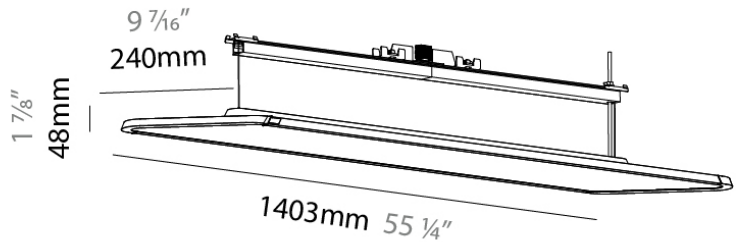
Delivered Lumen Range: 3000 - 4999 lm  
 Color Temperature (°K): 3000 / 3500 / 4000  
 Max. Delivered Lumen (lm): 3911 / 3907 / 3987  
 Nominal Lumen (lm): 4976 / 4971 / 5072  
 CRI: >90 CRI  
 Lamp Life (hrs): 50000

#### OPTICAL

Beam Angle: 90  
 Adjustability: Fixed

#### RATINGS AND CERTIFICATIONS

Certified By: Certified for North American Standards  
 IP rating: IP20



PROJECT	
TYPE	
NOTES	
QUANTITY	
DATE	

## A3HY40-REC-SYS COMPONENTS

### A380562-

#### DESCRIPTION

Hadi Q Suspended - Insert 1403mm / 55 1/4" x 240mm / 9 7/16" for Hypro 40 Recessed - Direct / Indirect - 78W LED - 3000K / 3500K / 4000K - CRI 90 - Non-Dimming

#### GENERAL

Series: Hadi  
 Subseries: Hadi-Q Suspended  
 Partner: Prolicht  
 Division: Architectural  
 Light Distribution: Direct

#### PHYSICAL

Shape: Round  
 Length (mm): 1403  
 Length (in): 55 1/4  
 Width (mm): 240  
 Width (in): 9 7/16  
 Height (mm): 48  
 Height (in): 1 7/8  
 Fixture Finish: SSR / BKV / CWI / CRY / HAB / UFT / ITA / RUA / FTG / MYG / LOD / PUS / FRO / FUP / KIA / POP / BLS / SPG / MEY / GOH / CHC / COM / ABZ / JAG / OBR / MOS / ROR  
 Fixture Material: Extruded Aluminum / Steel  
 Cable Details: 2,000mm or 6,000mm Transparent Cable

#### ELECTRICAL

Input Wattage Range: 50 - 79 W  
 Lamp Type: LED (Zhaga Standard)  
 Input Wattage (W): 78  
 Total Output Wattage (W): 70.9  
 Dimming: Non-Dimmable / 0-10V Dimming  
 Driver Included: Yes  
 Driver Location: Integrated  
 Driver Type: Constant Current - Universal  
 Driver Class: Class 2  
 Input Voltage (V): 120 - 277

#### LED

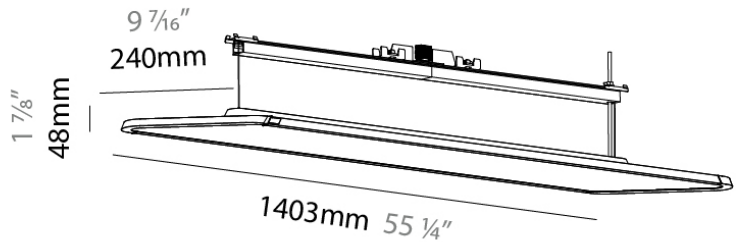
Delivered Lumen Range: 3000 - 4999 lm  
 Color Temperature (°K): 3000 / 3500 / 4000  
 Max. Delivered Lumen (lm): 3911 / 3907 / 3987  
 Nominal Lumen (lm): 4976 / 4971 / 5072  
 CRI: >90 CRI  
 Lamp Life (hrs): 50000

#### OPTICAL

Beam Angle: 90  
 Adjustability: Fixed

#### RATINGS AND CERTIFICATIONS

Certified By: Certified for North American Standards  
 IP rating: IP20



PROJECT
TYPE
NOTES
QUANTITY
DATE

## A3HY40-REC-SYS COMPONENTS

### A380566-

#### DESCRIPTION

Hadi-M Surface - Insert 1242mm / 48 7/8" x 240mm / 9 7/16" for Hypro 40 Recessed - Direct - 37W LED - 3000K / 3500K / 4000K - CRI 90 - Non-Dimming

#### GENERAL

Series: Hadi  
 Subseries: Hadi-M Surface  
 Partner: Prolicht  
 Division: Architectural  
 Light Distribution: Direct

#### PHYSICAL

Shape: Round  
 Length (mm): 1242  
 Length (in): 48 7/8  
 Width (mm): 240  
 Width (in): 9 7/16  
 Height (mm): 48  
 Height (in): 1 7/8  
 Fixture Finish: SSR / BKV / CWI / CRY / HAB / UFT / ITA / RUA / FTG / MYG / LOD / PUS / FRO / FUP / KIA / POP / BLS / SPG / MEY / GOH / CHC / COM / ABZ / JAG / OBR / MOS / ROR  
 Fixture Material: Extruded Aluminum / Steel  
 Cable Details: 2,000mm or 6,000mm Transparent Cable

#### ELECTRICAL

Input Wattage Range: 30 - 49 W  
 Lamp Type: LED (Zhaga Standard)  
 Input Wattage (W): 37  
 Total Output Wattage (W): 33.6  
 Dimming: Tri-Mode (Non-Dimming and Phase Dimming (120Vac only) and 0-10V Dimming)  
 Driver Included: Yes  
 Driver Location: Integrated  
 Driver Type: Constant Current - Universal  
 Driver Class: Class 2  
 Input Voltage (V): 120 - 277  
 Constant Current (MA): 900

#### LED

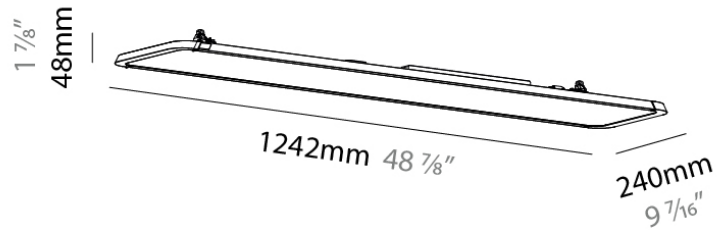
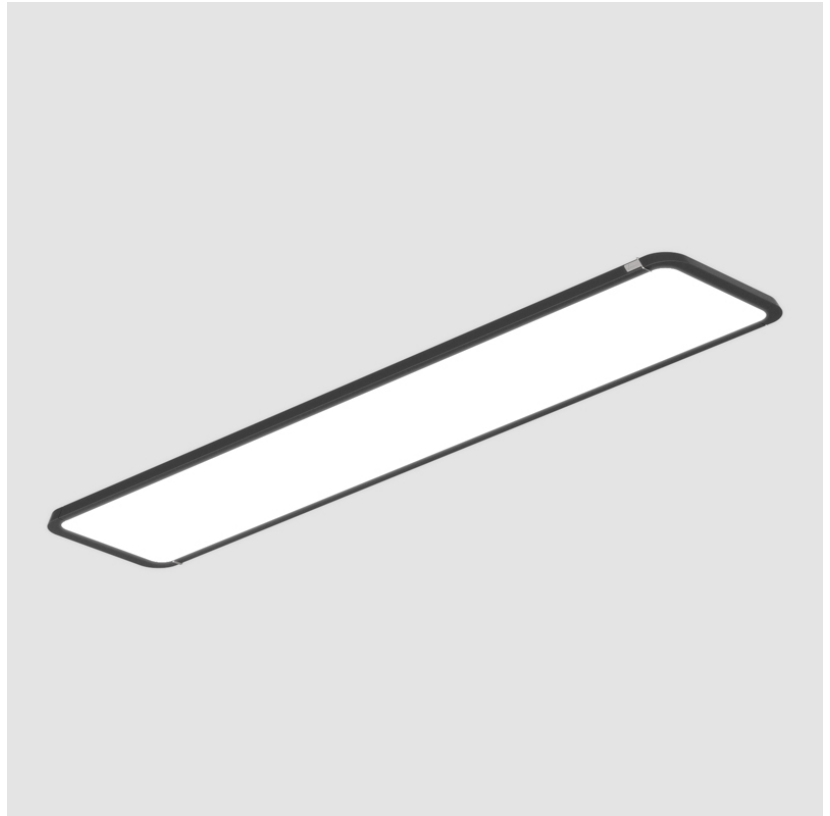
Delivered Lumen Range: 3000 - 4999 lm  
 Color Temperature (°K): 3000 / 3500 / 4000  
 Max. Delivered Lumen (lm): 4269 / 4265 / 4352  
 Nominal Lumen (lm): 4796 / 4971 / 5072  
 CRI: >90 CRI  
 Lamp Life (hrs): 50000

#### OPTICAL

Beam Angle: 90  
 Adjustability: Fixed

#### RATINGS AND CERTIFICATIONS

Certified By: Certified for North American Standards  
 IP rating: IP20



PROJECT
TYPE
NOTES
QUANTITY
DATE

## A3HY40-REC-SYS COMPONENTS

### A380570-

#### DESCRIPTION

Hadi-M Surface - Insert 1242mm / 48 7/8" x 240mm / 9 7/16" for Hypro 40 Recessed - Direct / Indirect - 78W LED - 3000K / 3500K / 4000K - CRI 90 - Non-Dimming

#### GENERAL

Series: Hadi  
 Subseries: Hadi-M Surface  
 Partner: Prolicht  
 Division: Architectural  
 Light Distribution: Direct

#### PHYSICAL

Shape: Round  
 Length (mm): 1242  
 Length (in): 48 7/8  
 Width (mm): 240  
 Width (in): 9 7/16  
 Height (mm): 48  
 Height (in): 1 7/8  
 Fixture Finish: SSR / BKV / CWI / CRY / HAB / UFT / ITA / RUA / FTG / MYG / LOD / PUS / FRO / FUP / KIA / POP / BLS / SPG / MEY / GOH / CHC / COM / ABZ / JAG / OBR / MOS / ROR  
 Fixture Material: Extruded Aluminum / Steel  
 Cable Details: 2,000mm or 6,000mm Transparent Cable

#### ELECTRICAL

Input Wattage Range: 50 - 79 W  
 Lamp Type: LED (Zhaga Standard)  
 Input Wattage (W): 78  
 Total Output Wattage (W): 70.9  
 Dimming: Non-Dimmable / 0-10V Dimming  
 Driver Included: Yes  
 Driver Location: Integrated  
 Driver Type: Constant Current - Universal  
 Driver Class: Class 2  
 Input Voltage (V): 120 - 277  
 Constant Current (MA): 225mA

#### LED

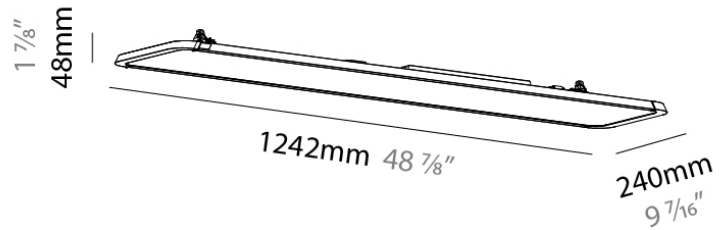
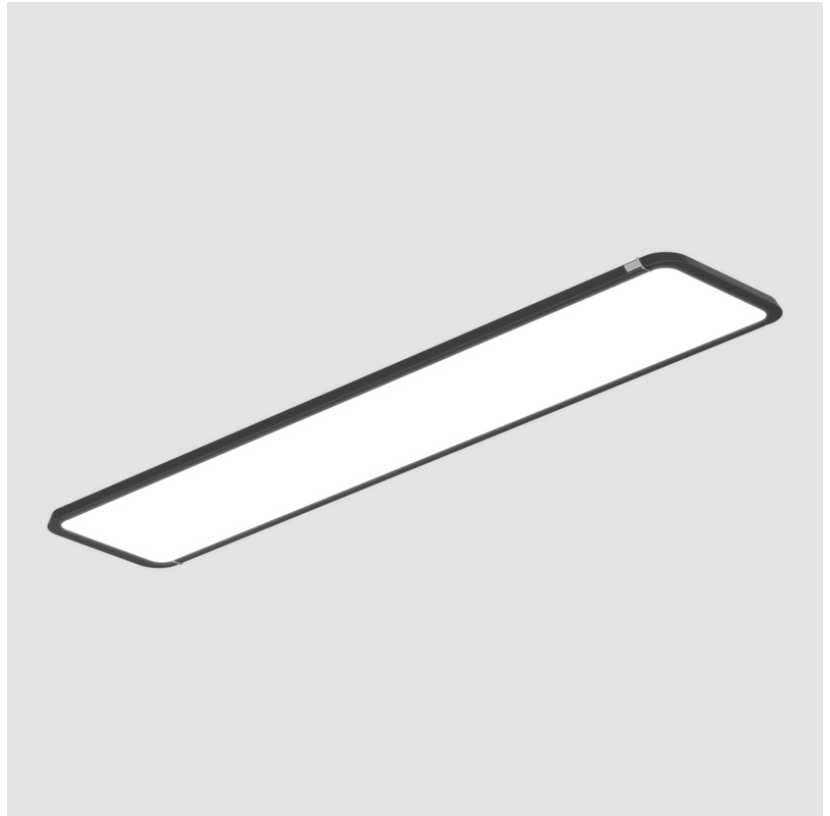
Delivered Lumen Range: 5000 - 9999 lm  
 Color Temperature (°K): 3000 / 3500 / 4000  
 Max. Delivered Lumen (lm): 5998 / 5997 / 6119  
 Nominal Lumen (lm): 9801 / 9799 / 9999  
 CRI: >90 CRI  
 Lamp Life (hrs): 50000

#### OPTICAL

Beam Angle: 90  
 Adjustability: Fixed

#### RATINGS AND CERTIFICATIONS

Certified By: Certified for North American Standards  
 IP rating: IP20



## A3HY40-REC-SYS COMPONENTS

### A380574-

#### DESCRIPTION

Hadi Q Surface - Insert 1403mm / 55 1/4" x 240mm / 9 7/16" for Hypro 40 Recessed - Direct - 37W LED - 3000K / 3500K / 4000K - CRI 90 - Non-Dimming

#### GENERAL

Series: Hadi  
 Subseries: Hadi-Q Surface  
 Partner: Prolicht  
 Division: Architectural  
 Light Distribution: Direct

#### PHYSICAL

Shape: Round  
 Length (mm): 1403  
 Length (in): 55 1/4  
 Width (mm): 240  
 Width (in): 9 7/16  
 Height (mm): 48  
 Height (in): 1 7/8  
 Fixture Finish: SSR / BKV / CWI / CRY / HAB / UFT / ITA / RUA / FTG / MYG / LOD / PUS / FRO / FUP / KIA / POP / BLS / SPG / MEY / GOH / CHC / COM / ABZ / JAG / OBR / MOS / ROR  
 Fixture Material: Extruded Aluminum / Steel  
 Cable Details: 2,000mm or 6,000mm Transparent Cable

#### ELECTRICAL

Input Wattage Range: 30 - 49 W  
 Lamp Type: LED (Zhaga Standard)  
 Input Wattage (W): 37  
 Total Output Wattage (W): 33.6  
 Dimming: Tri-Mode (Non-Dimming and Phase Dimming (120Vac only) and 0-10V Dimming)  
 Driver Included: Yes  
 Driver Location: Integrated  
 Driver Type: Constant Current - Universal  
 Driver Class: Class 2  
 Input Voltage (V): 120 - 277  
 Constant Current (MA): 900

#### LED

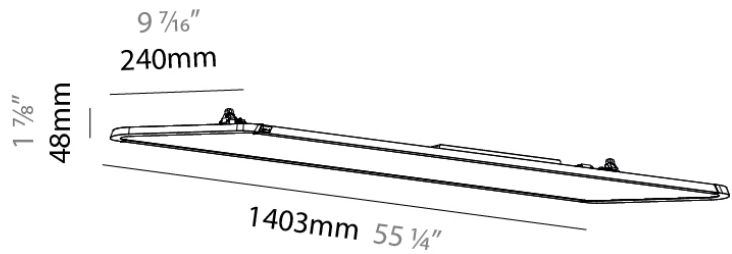
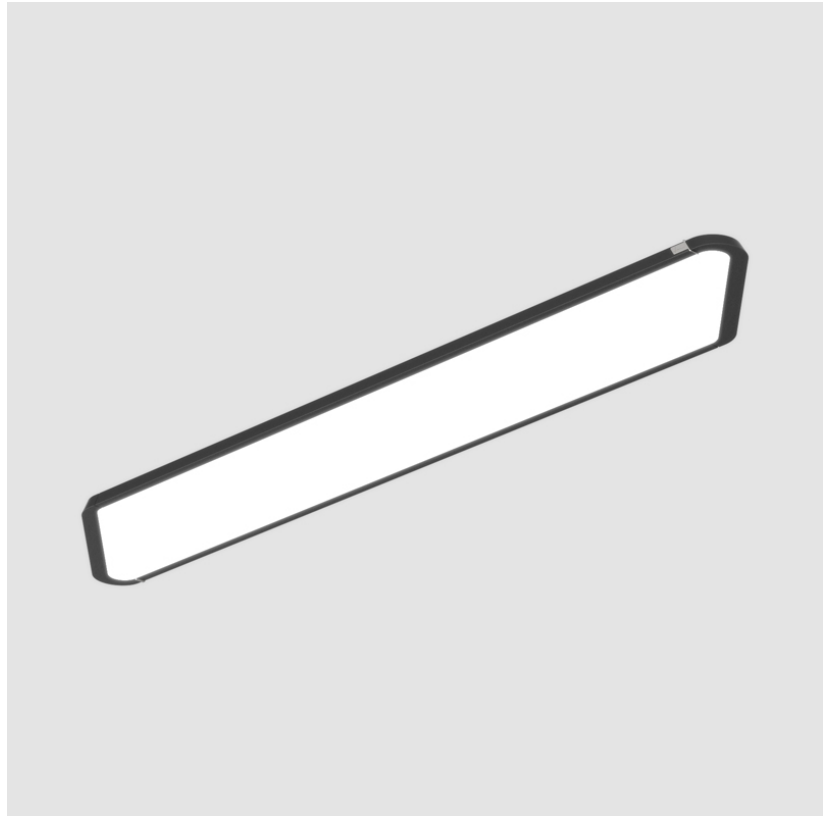
Delivered Lumen Range: 3000 - 4999 lm  
 Color Temperature (°K): 3000 / 3500 / 4000  
 Max. Delivered Lumen (lm): 3911 / 3907 / 3987  
 Nominal Lumen (lm): 4976 / 4971 / 5072  
 CRI: >90 CRI  
 Lamp Life (hrs): 50000

#### OPTICAL

Beam Angle: 90  
 Adjustability: Fixed

#### RATINGS AND CERTIFICATIONS

Certified By: Certified for North American Standards  
 IP rating: IP20



## A3HY40-REC-SYS COMPONENTS

### A380578-

#### DESCRIPTION

Hadi Q Surface - Insert 1403mm / 55 1/4" x 240mm / 9 7/16" for Hypro 40 Recessed - Direct / Indirect - 78W LED - 3000K / 3500K / 4000K - CRI 90 - Non-Dimming

#### GENERAL

Series: Hadi

Subseries: Hadi-Q Surface

Partner: Prolicht

Division: Architectural

Light Distribution: Direct

#### PHYSICAL

Shape: Round

Length (mm): 1403

Length (in): 55 1/4"

Width (mm): 240

Width (in): 9 7/16"

Height (mm): 48

Height (in): 1 7/8"

Fixture Finish: SSR / BKV / CWI / CRY / HAB / UFT / ITA / RUA / FTG / MYG / LOD / PUS / FRO / FUP / KIA / POP / BLS / SPG / MEY / GOH / CHC / COM / ABZ / JAG / OBR / MOS / ROR

Fixture Material: Extruded Aluminum / Steel

Cable Details: 2,000mm or 6,000mm Transparent Cable

#### ELECTRICAL

Input Wattage Range: 50 - 79 W

Lamp Type: LED (Zhaga Standard)

Input Wattage (W): 78

Total Output Wattage (W): 70.9

Dimming: Non-Dimmable / 0-10V Dimming

Driver Included: Yes

Driver Location: Integrated

Driver Type: Constant Current - Universal

Driver Class: Class 2

Input Voltage (V): 120 - 277

#### LED

Delivered Lumen Range: 5000 - 9999 lm

Color Temperature (°K): 3000 / 3500 / 4000

Max. Delivered Lumen (lm): 5783 / 5781 / 5899

Nominal Lumen (lm): 9801 / 9799 / 9999

CRI: >90 CRI

Lamp Life (hrs): 50000

#### OPTICAL

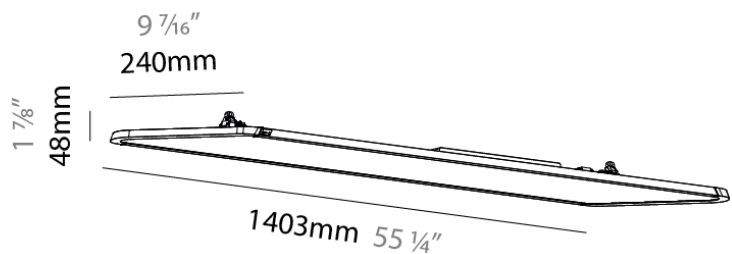
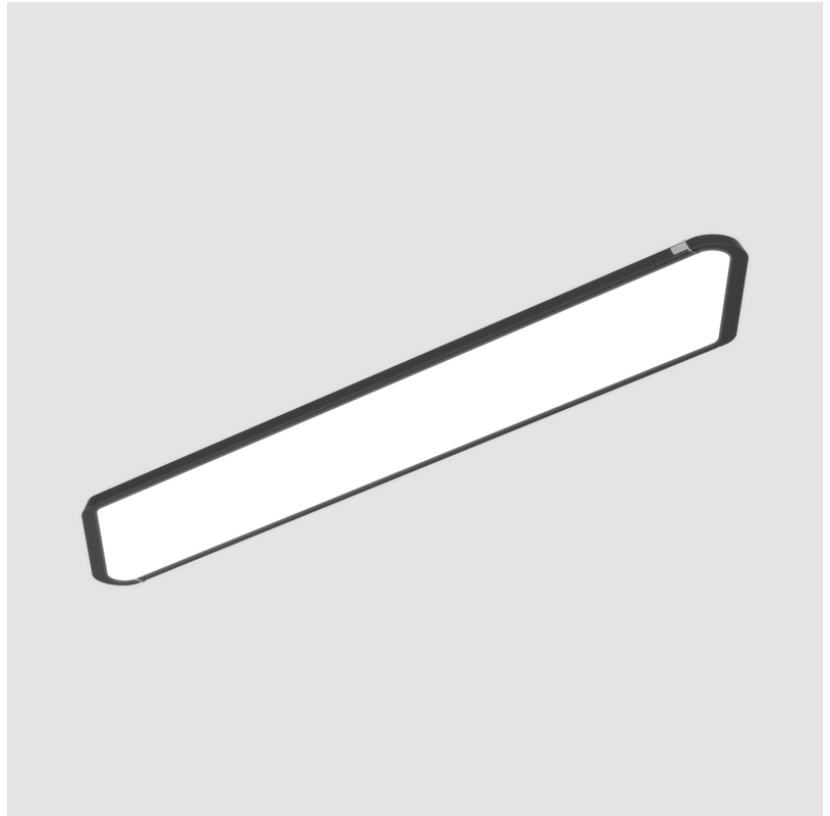
Beam Angle: 90

Adjustability: Fixed

#### RATINGS AND CERTIFICATIONS

Certified By: Certified for North American Standards

IP rating: IP20



PROJECT	
TYPE	
NOTES	
QUANTITY	
DATE	

## A3HY40-REC-SYS COMPONENTS

### A38063-

#### DESCRIPTION

HYPRO 40 - Insert with PLUG-Cable in 2/4M 500mA max22W - Non - Dimming / 0-10V Dimming

#### GENERAL

Series: Hypro  
 Subseries: Hypro 40-X  
 Partner: Prolicht  
 Division: Architectural

#### PHYSICAL

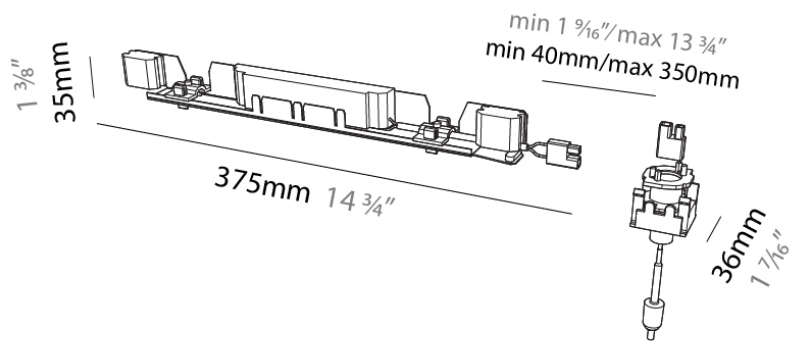
Length (mm): 375  
 Length (in): 14 3/4  
 Width (mm): 36  
 Width (in): 1 1/16  
 Height (mm): 35  
 Height (in): 1 3/8  
 Fixture Material: Aluminum

#### ELECTRICAL

Input Wattage Range: 10 - 19 W  
 Lamp Type: LED  
 Dimming: Non-Dimmable / 0-10V Dimming  
 Driver Included: Yes  
 Driver Location: Integrated  
 Driver Type: Constant Current - Universal  
 Driver Class: Class 2  
 Input Voltage (V): 120 - 277

#### RATINGS AND CERTIFICATIONS

Certified By: Certified for North American Standards  
 IP rating: IP20



PROJECT
TYPE
NOTES
QUANTITY
DATE

## A3HY40-REC-SYS COMPONENTS

### A380639-

#### DESCRIPTION

Rico LED (Zhaga Standard) - 1128mm / 44 7/16" Hypro 40 Profile  
 Insert - 35W LED (Zhaga Standard) - 2700K / 3000K / 3500K /  
 4000K - Beam Angle: 46° / 62°

#### GENERAL

Series: Hypro  
 Subseries: Hypro 40  
 Partner: Prolicht  
 Division: Architectural  
 Light Distribution: Direct

#### PHYSICAL

Length (mm): 1288  
 Length (in): 44 7/16  
 Width (mm): 29  
 Width (in): 1 1/10  
 Height (mm): 50  
 Height (in): 2  
 Weight (kg): 1.191  
 Weight (lbs): 2.63  
 Fixture Material: Metal

#### ELECTRICAL

Input Wattage Range: 20 - 29 W  
 Lamp Type: LED (Zhaga Standard)  
 Input Wattage (W): 25  
 Dimming: Non-Dimmable / 0-10V Dimming  
 Driver Included: Yes  
 Driver Location: Integrated  
 Driver Type: Constant Current - 120Vac  
 Driver Class: Class 1  
 Input Voltage (V): 120  
 Constant Current (mA): 350

#### LED

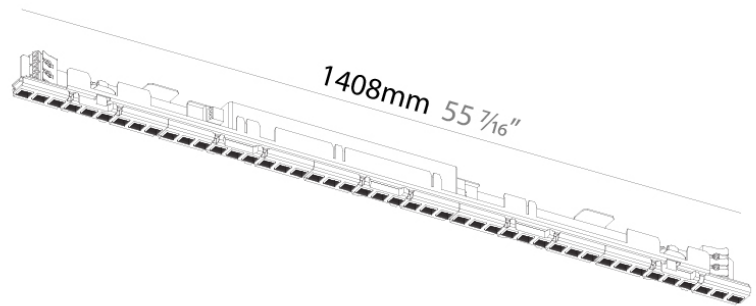
Delivered Lumen Range: 3000 - 4999 lm  
 Color Temperature (°K): 2700 / 3000 / 3500 / 4000  
 Max. Delivered Lumen (lm): 2213 / 2299 / 2400 / 2449  
 Nominal Lumen (lm): 3245 / 3371 / 3519 / 3591  
 CRI: >80 CRI  
 Lamp Life (hrs): 50000

#### OPTICAL

Beam Angle: 46 / 62

#### RATINGS AND CERTIFICATIONS

Certified By: Certified for North American Standards  
 IP rating: IP20



## A3HY40-REC-SYS COMPONENTS

PROJECT	
TYPE	
NOTES	
QUANTITY	
DATE	

### A38869-

#### DESCRIPTION

Idaho 40 / Hypro 40 - Recessed System End Cap

#### GENERAL

Partner: Prolicht

Division: Architectural

#### PHYSICAL

Shape: Rectangle

Length (mm): 50

Length (in): 1 <sup>15</sup>/<sub>16</sub>

Width (mm): 20

Width (in): 13/16

Height (mm): 76

Height (in): 3

Weight (kg): 0.046

Weight (lbs): 0.10

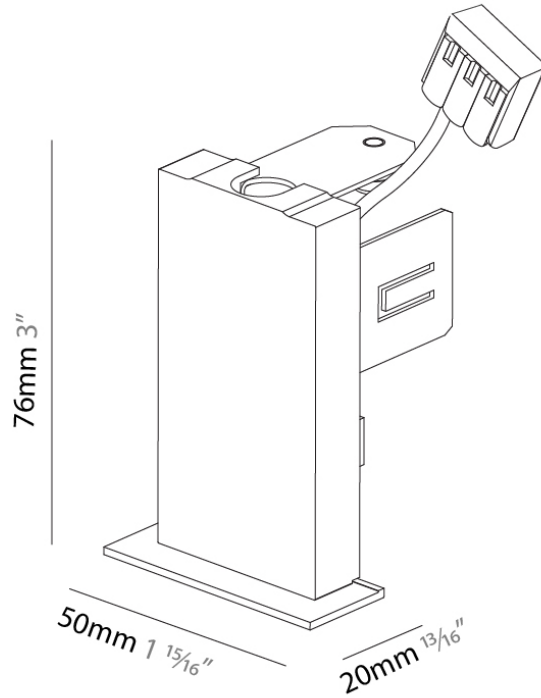
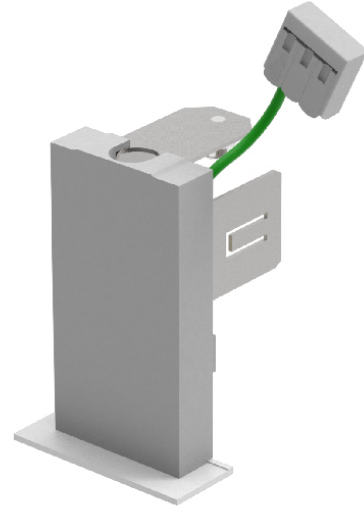
Fixture Finish: SSR / BKV / CWI / CRY / HAB / UFT / ITA / RUA / FTG / MYG / LOD / PUS / FRO / FUP / KIA / POP / BLS / SPG / MEY / GOH / CHC / COM / ABZ / JAG / OBR / MOS / ROR

Fixture Material: Aluminum

#### RATINGS AND CERTIFICATIONS

Certified By: Certified for North American Standards

IP rating: IP20



## A3HY40-REC-SYS COMPONENTS

PROJECT	_____
TYPE	_____
NOTES	_____
QUANTITY	_____
DATE	_____

### A38870

#### DESCRIPTION

Idaho / Hypro 40 Recessed System Linear Coupler

#### GENERAL

Partner: Prolight

Division: Architectural

#### PHYSICAL

Shape: Rectangle

Length (mm): 150

Length (in): 5 <sup>7</sup>/<sub>8</sub>

Width (mm): 35

Width (in): 1 <sup>3</sup>/<sub>8</sub>

Height (mm): 33

Height (in): 1 <sup>5</sup>/<sub>16</sub>

Weight (kg): 0.167

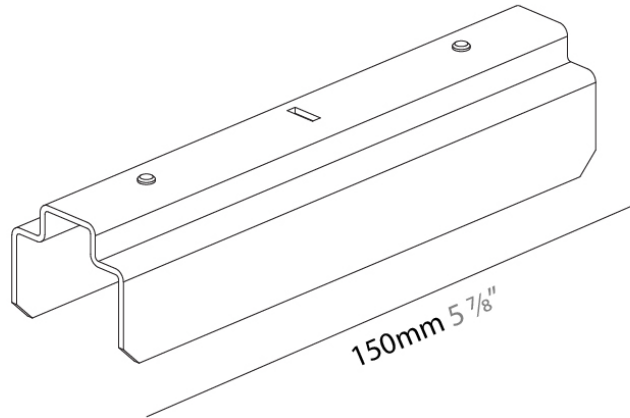
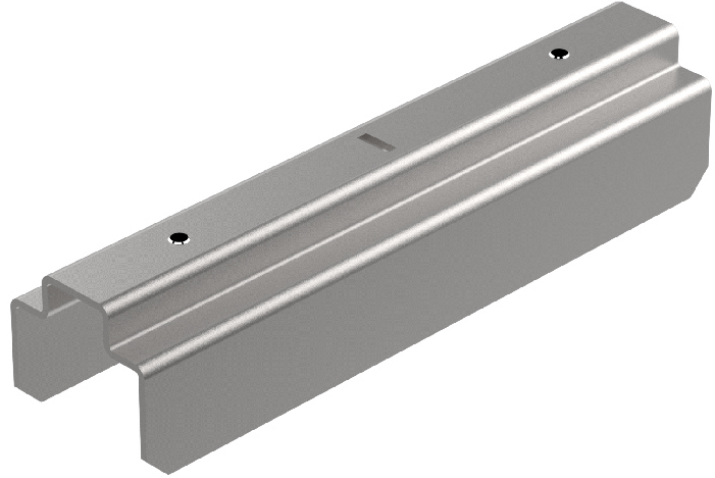
Weight (lbs): 0.37

Fixture Material: Aluminum

#### RATINGS AND CERTIFICATIONS

Certified By: Certified for North American Standards

IP rating: IP20



## A3HY40-REC-SYS COMPONENTS

PROJECT	_____
TYPE	_____
NOTES	_____
QUANTITY	_____
DATE	_____

### A38871-

#### DESCRIPTION

Idaho 40 / Hypro 40 - Recessed System L-Connector

#### GENERAL

Partner: Prolicht

Division: Architectural

#### PHYSICAL

Length (mm): 75

Length (in): 2 <sup>15</sup>/<sub>16</sub>

Width (mm): 75

Width (in): 2 <sup>15</sup>/<sub>16</sub>

Height (mm): 76

Height (in): 3

Weight (kg): 0.264

Weight (lbs): 0.58

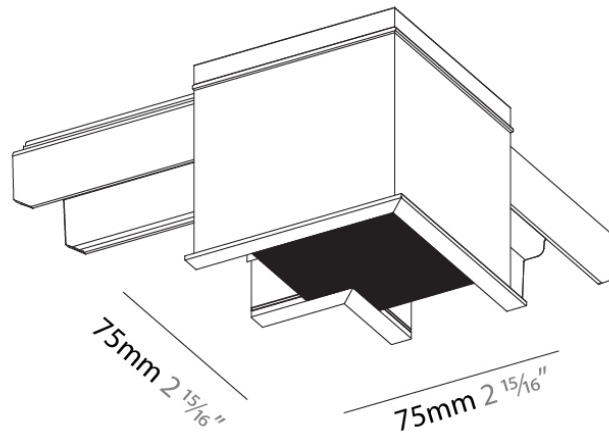
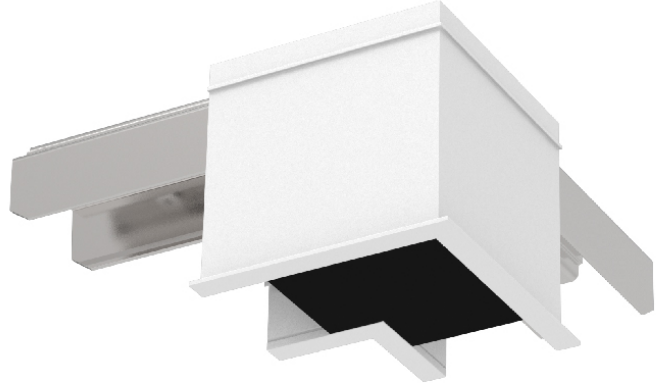
Fixture Finish: SSR / BKV / CWI / CRY / HAB / UFT / ITA / RUA / FTG / MYG / LOD / PUS / FRO / FUP / KIA / POP / BLS / SPG / MEY / GOH / CHC / COM / ABZ / JAG / OBR / MOS / ROR

Fixture Material: Aluminum

#### RATINGS AND CERTIFICATIONS

Certified By: Certified for North American Standards

IP rating: IP20



PROJECT	
TYPE	
NOTES	
QUANTITY	
DATE	

## A3HY40-REC-SYS COMPONENTS RECESSED

### A38872-

#### DESCRIPTION

Idaho 40 / Hypro 40 - Recessed System T-Connector

#### GENERAL

Partner: Prolicht

Division: Architectural

Installation: Recessed

Mounting Location: Ceiling

#### PHYSICAL

Length (mm): 75

Length (in): 2 <sup>15</sup>/<sub>16</sub>

Width (mm): 75

Width (in): 2 <sup>15</sup>/<sub>16</sub>

Height (mm): 76

Height (in): 3

Weight (kg): 0.53

Weight (lbs): 1.17

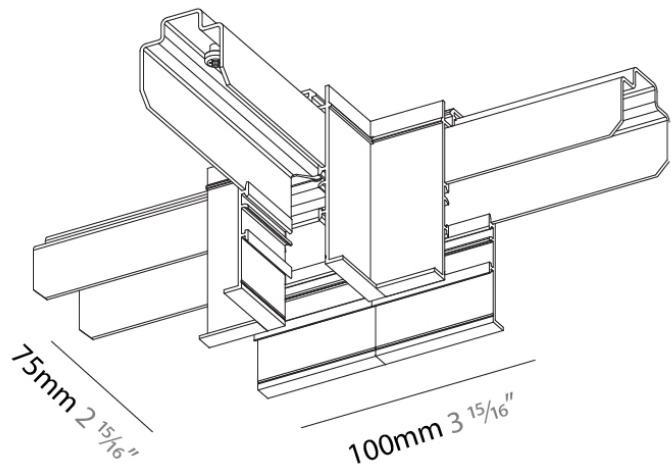
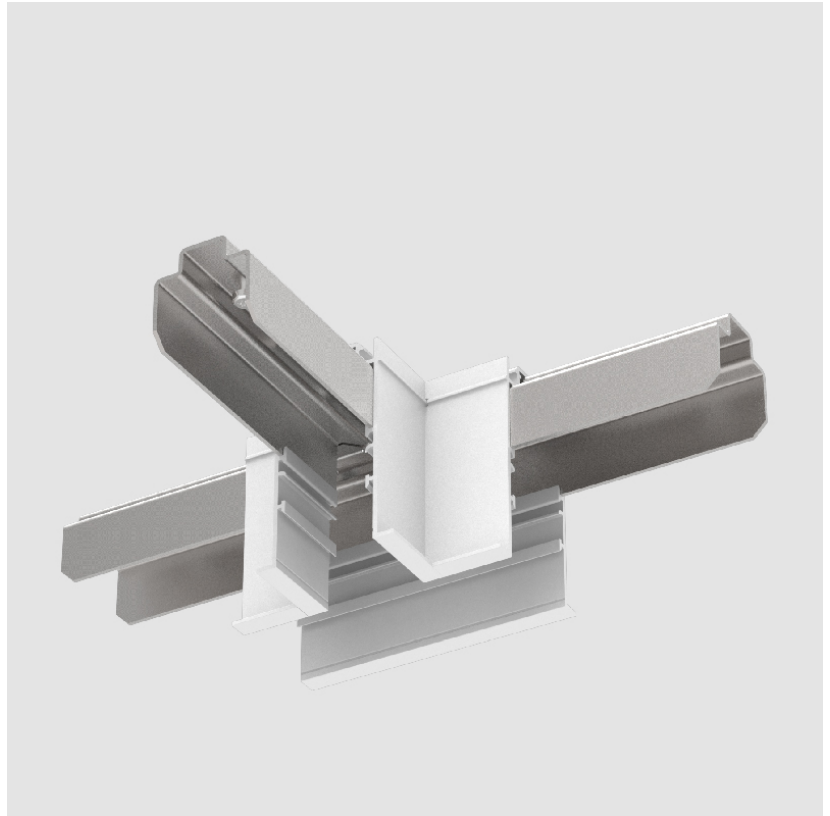
Fixture Finish: SSR / BKV / CWI / CRY / HAB / UFT / ITA / RUA / FTG / MYG / LOD / PUS / FRO / FUP / KIA / POP / BLS / SPG / MEY / GOH / CHC / COM / ABZ / JAG / OBR / MOS / ROR

Fixture Material: Aluminum

#### RATINGS AND CERTIFICATIONS

Certified By: CSA Certified to UL and CSA Standards

IP rating: IP20



PROJECT	
TYPE	
NOTES	
QUANTITY	
DATE	

## A3HY40-REC-SYS COMPONENTS

### A38873-

#### DESCRIPTION

Idaho 40 / Hypro 40 - Recessed System X-Connector

#### GENERAL

Partner: Prolight

Division: Architectural

#### PHYSICAL

Length (mm): 100

Length (in): 3 <sup>15</sup>/<sub>16</sub>

Width (mm): 100

Width (in): 3 <sup>15</sup>/<sub>16</sub>

Height (mm): 76

Height (in): 3

Weight (kg): 0.682

Weight (lbs): 1.5

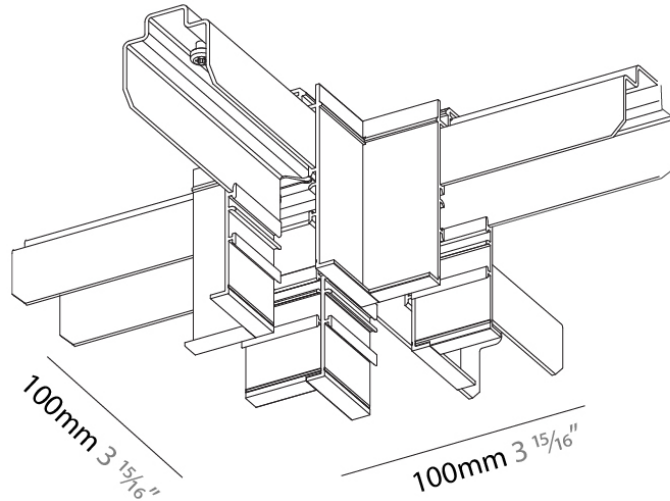
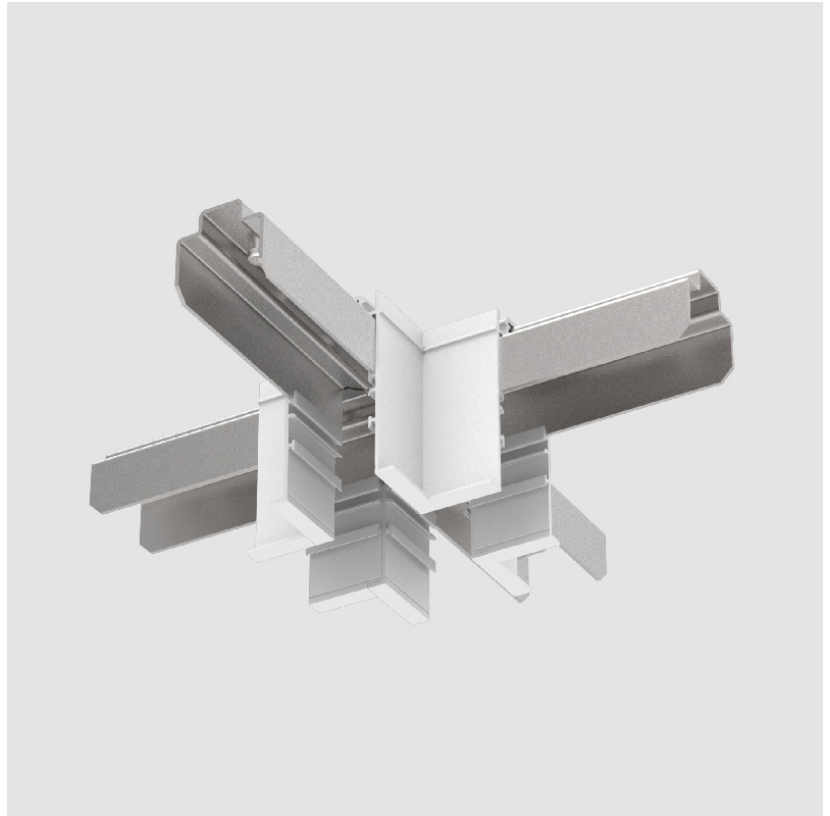
Fixture Finish: SSR / BKV / CWI / CRY / HAB / UFT / ITA / RUA / FTG / MYG / LOD / PUS / FRO / FUP / KIA / POP / BLS / SPG / MEY / GOH / CHC / COM / ABZ / JAG / OBR / MOS / ROR

Fixture Material: Aluminum

#### RATINGS AND CERTIFICATIONS

Certified By: Certified for North American Standards

IP rating: IP20



## A3HY40-REC-SYS COMPONENTS

PROJECT	_____
TYPE	_____
NOTES	_____
QUANTITY	_____
DATE	_____

### A38874-

#### DESCRIPTION

Idaho 40 / Hypro 40 - Recessed System Wall / Ceiling Connector

#### GENERAL

Partner: Prolicht

Division: Architectural

#### PHYSICAL

Length (mm): 210

Length (in): 8 ¼

Width (mm): 50

Width (in): 1 15/16

Height (mm): 210

Height (in): 8 ¼

Weight (kg): 0.682

Weight (lbs): 1.5

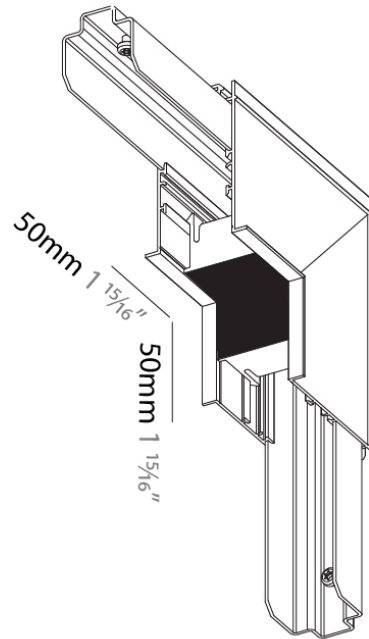
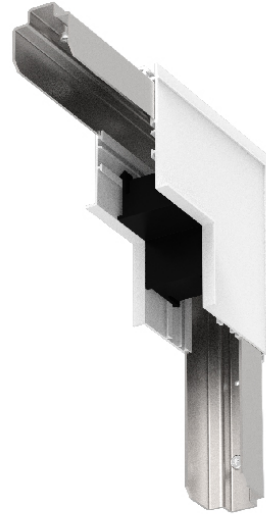
Fixture Finish: SSR / BKV / CWI / CRY / HAB / UFT / ITA / RUA / FTG / MYG / LOD / PUS / FRO / FUP / KIA / POP / BLS / SPG / MEY / GOH / CHC / COM / ABZ / JAG / OBR / MOS / ROR

Fixture Material: Aluminum

#### RATINGS AND CERTIFICATIONS

Certified By: Certified for North American Standards

IP rating: IP20



## A3HY40-REC-SYS COMPONENTS

PROJECT	_____
TYPE	_____
NOTES	_____
QUANTITY	_____
DATE	_____

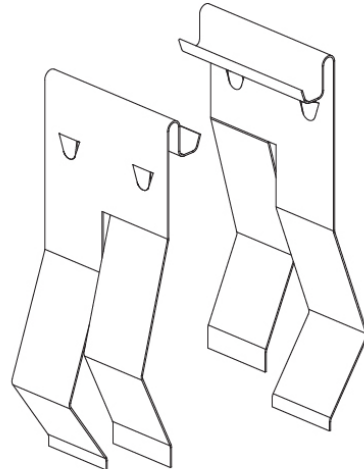
### A38875

**DESCRIPTION**  
Idaho 40 / Hypro 40 - Recessed System Installation Clips (Pair)

**GENERAL**  
Partner: Prolight  
Division: Architectural

**PHYSICAL**  
Length (mm): 30  
Length (in): 1 <sup>3</sup>/<sub>16</sub>  
Width (mm): 16  
Width (in): 5/8  
Height (mm): 70  
Height (in): 2 <sup>3</sup>/<sub>4</sub>  
Weight (kg): 0.012  
Weight (lbs): 0.26  
Fixture Material: Aluminum

**RATINGS AND CERTIFICATIONS**  
Certified By: Certified for North American Standards  
IP rating: IP20



## A3HY40-REC-SYS COMPONENTS

PROJECT \_\_\_\_\_

TYPE \_\_\_\_\_

NOTES \_\_\_\_\_

QUANTITY \_\_\_\_\_

DATE \_\_\_\_\_

### A38876

#### DESCRIPTION

Idaho / Hypro 40 Recessed System Central Feed

#### GENERAL

Partner: Prolight

Division: Architectural

#### PHYSICAL

Length (mm): 31

Length (in): 1 ¼

Width (mm): 27

Width (in): 1 ⅛

Height (mm): 45

Height (in): 1 ¾

Weight (kg): 0.046

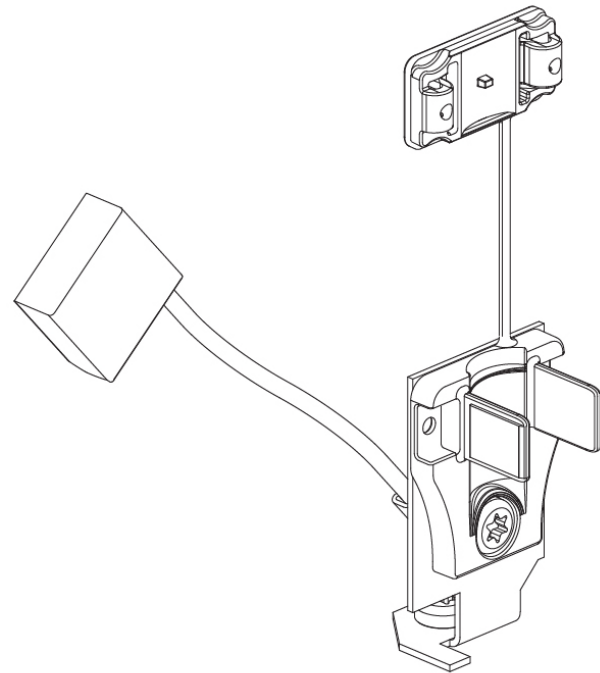
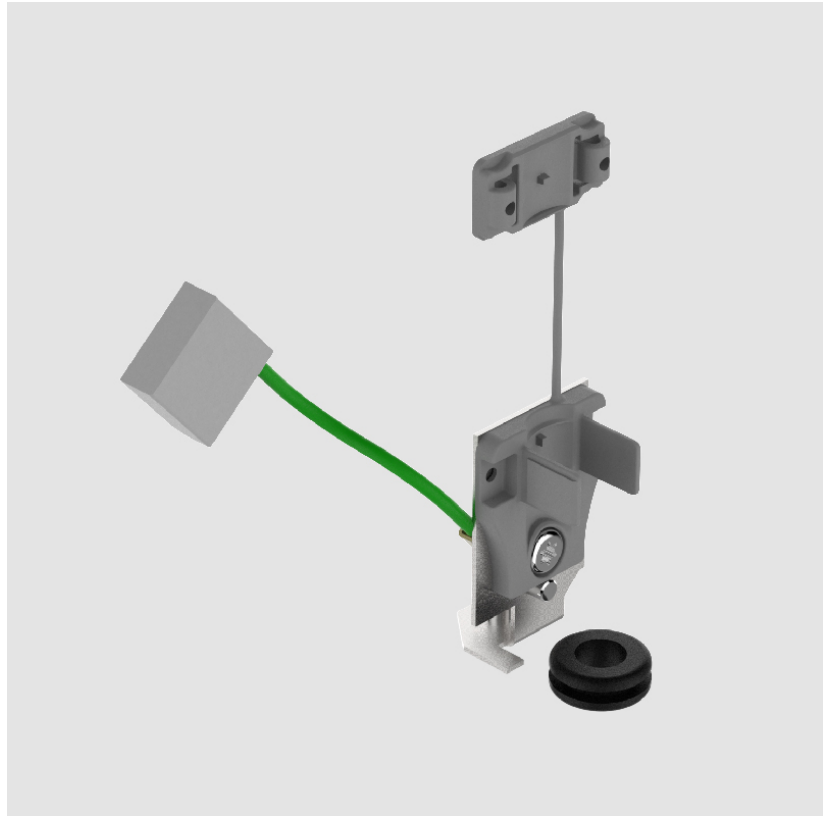
Weight (lbs): 0.10

Fixture Material: Aluminum

#### RATINGS AND CERTIFICATIONS

Certified By: Certified for North American Standards

IP rating: IP20



A

## A3HY40-REC-SYS COMPONENTS

PROJECT	_____
TYPE	_____
NOTES	_____
QUANTITY	_____
DATE	_____

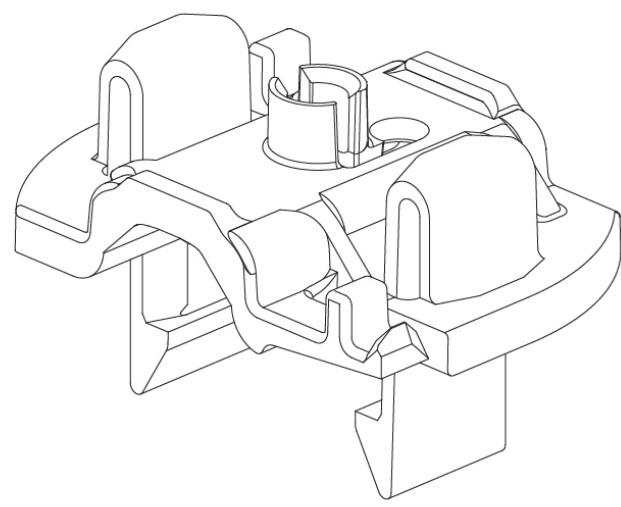
### A38877

**DESCRIPTION**  
Idaho / Hypro 40 Recessed System - Cable Holder

**GENERAL**  
Partner: Prolicht  
Division: Architectural

**PHYSICAL**  
Length (mm): 25  
Length (in): 1  
Width (mm): 36  
Width (in): 1 7/16  
Height (mm): 22  
Height (in): 7/8  
Weight (kg): 0.004  
Weight (lbs): 0.008  
Fixture Material: Aluminum

**RATINGS AND CERTIFICATIONS**  
Certified By: Certified for North American Standards  
IP rating: IP20



PROJECT
TYPE
NOTES
QUANTITY
DATE

## A3HY40-REC-SYS COMPONENTS

### A38878-

#### DESCRIPTION

LED (Zhaga Standard) Linear Insert - Hypro 40 Profile Insert - 16.5W - 2700K / 3000K / 3500K / 4000K

#### GENERAL

Partner: Prolight  
 Division: Architectural  
 Light Distribution: Direct

#### PHYSICAL

Length (mm): 705  
 Length (in): 27 <sup>3</sup>/<sub>4</sub>  
 Width (mm): 29  
 Width (in): 1 <sup>1</sup>/<sub>8</sub>  
 Height (mm): 50  
 Height (in): 1 <sup>15</sup>/<sub>16</sub>  
 Weight (kg): 0.64  
 Weight (lbs): 1.41  
 Fixture Material: Metal

#### ELECTRICAL

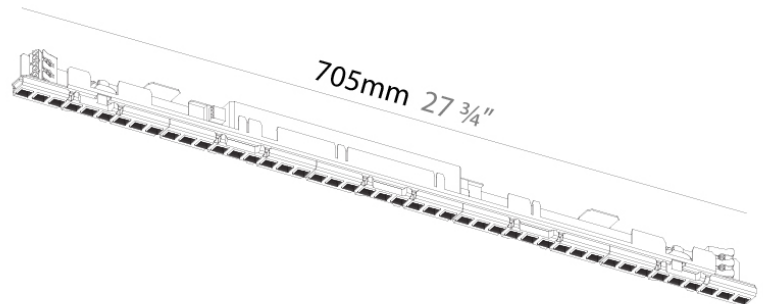
Input Wattage Range: 10 - 19 W  
 Lamp Type: LED (Zhaga Standard)  
 Input Wattage (W): 16.5  
 Total Output Wattage (W): 15  
 Dimming: Non-Dimmable / 0-10V Dimming  
 Driver Included: Yes  
 Driver Location: Integrated  
 Driver Type: Constant Current - 120Vac  
 Driver Class: Class 2  
 Input Voltage (V): 120  
 Constant Current (MA): 350

#### LED

Delivered Lumen Range: 1000 - 1999 lm  
 Color Temperature (°K): 2700 / 3000 / 3500 / 4000  
 Max. Delivered Lumen (lm): 1400 / 1490 / 1529 / 1560  
 Nominal Lumen (lm): 2250 / 2400 / 2450 / 2500  
 CRI: >80 CRI  
 Lamp Life (hrs): 50000

#### RATINGS AND CERTIFICATIONS

Certified By: Certified for North American Standards  
 IP rating: IP20



## A3HY40-REC-SYS COMPONENTS

### A38879-

#### DESCRIPTION

LED (Zhaga Standard) Linear Insert - Hypro 40 Profile Insert - 35.6W LED (Zhaga Standard) - 2700K / 3000K / 3500K / 4000K

#### GENERAL

Partner: Prolicht

Division: Architectural

Light Distribution: Direct

#### PHYSICAL

Length (mm): 1408

Length (in): 55 <sup>7</sup>/<sub>16</sub>

Width (mm): 29

Width (in): 1 <sup>1</sup>/<sub>8</sub>

Height (mm): 50

Height (in): 1 <sup>15</sup>/<sub>16</sub>

Weight (kg): 1.136

Weight (lbs): 2.5

Fixture Material: Metal

#### ELECTRICAL

Input Wattage Range: 30 - 49 W

Lamp Type: LED (Zhaga Standard)

Input Wattage (W): 35.6

Total Output Wattage (W): 30

Dimming: Non-Dimmable / 0-10V Dimming

Driver Included: Yes

Driver Location: Integrated

Driver Type: Constant Current - 120Vac

Driver Class: Class 1 and Class 2

Input Voltage (V): 120

Constant Current (mA): 350

#### LED

Delivered Lumen Range: 2000 - 3999 lm

Color Temperature (°K): 2700 / 3000 / 3500 / 4000

Max. Delivered Lumen (lm): 2800 / 2990 / 3048 / 3110

Nominal Lumen (lm): 4500 / 4800 / 4900 / 5000

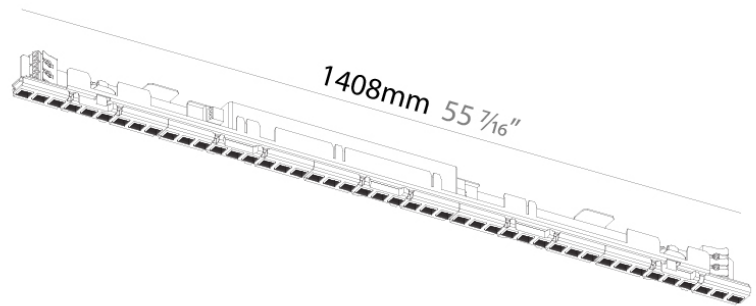
CRI: >80 CRI

Lamp Life (hrs): 50000

#### RATINGS AND CERTIFICATIONS

Certified By: Certified for North American Standards

IP rating: IP20



## A3HY40-REC-SYS COMPONENTS

PROJECT
TYPE
NOTES
QUANTITY
DATE

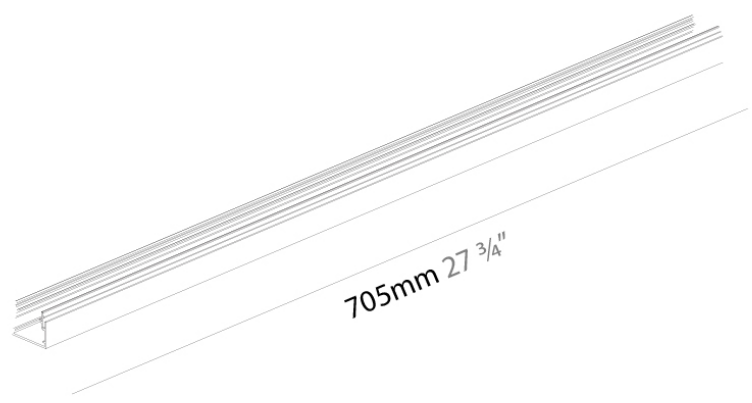
### A38880

**DESCRIPTION**  
Idaho 40 / Hypro 40 - System - 705mm Opal Diffuser

**GENERAL**  
Partner: Prolicht  
Division: Architectural

**PHYSICAL**  
Shape: Rectangle  
Length (mm): 705  
Length (in): 27 3/4  
Width (mm): 35  
Width (in): 1 3/8  
Height (mm): 28  
Height (in): 1 1/8  
Weight (kg): 0.138  
Weight (lbs): 0.3  
Diffuser: PMMA - Opal

**RATINGS AND CERTIFICATIONS**  
Certified By: Certified for North American Standards  
IP rating: IP20



PROJECT
TYPE
NOTES
QUANTITY
DATE

## A3HY40-REC-SYS COMPONENTS

### A38881

#### DESCRIPTION

Idaho / Hypro 40 System - 1408mm Opal Diffuser

#### GENERAL

Partner: Prolicht

Division: Architectural

#### PHYSICAL

Shape: Rectangle

Length (mm): 1408

Length (in): 55 <sup>7</sup>/<sub>16</sub>

Width (mm): 35

Width (in): 1 <sup>3</sup>/<sub>8</sub>

Height (mm): 28

Height (in): 1 <sup>3</sup>/<sub>8</sub>

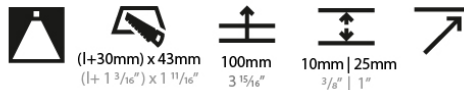
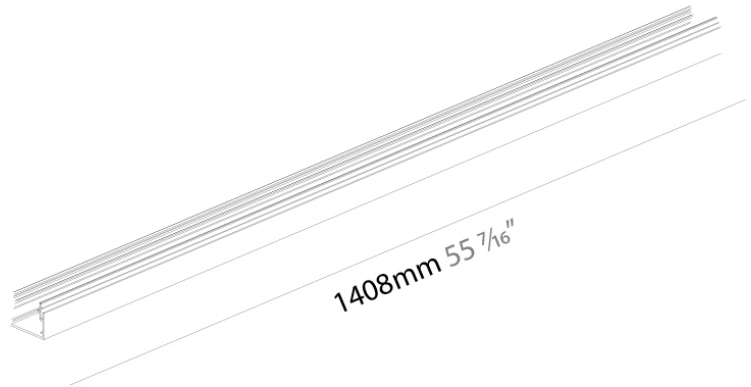
Weight (kg): 0.276

Weight (lbs): 0.61

#### RATINGS AND CERTIFICATIONS

Certified By: Certified for North American Standards

IP rating: IP20



## A3HY40-REC-SYS COMPONENTS

PROJECT
TYPE
NOTES
QUANTITY
DATE

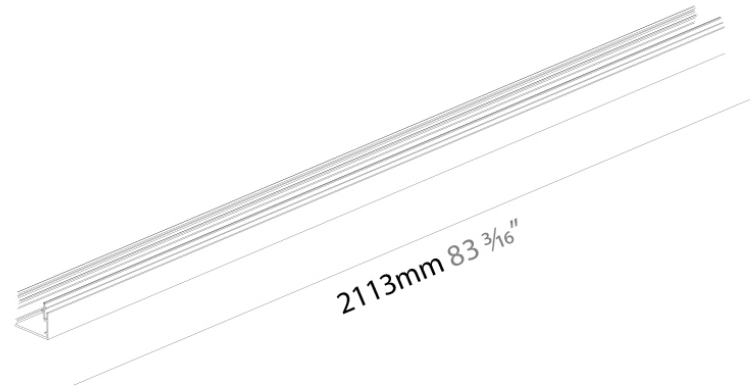
### A38882

**DESCRIPTION**  
Idaho 40 / Hypro 40 - System - 2113mm Opal Diffuser

**GENERAL**  
Partner: Prolicht  
Division: Architectural

**PHYSICAL**  
Shape: Rectangle  
Length (mm): 2113  
Length (in): 83 <sup>3</sup>/<sub>16</sub>  
Width (mm): 35  
Width (in): 1 <sup>3</sup>/<sub>8</sub>  
Height (mm): 28  
Height (in): 1 <sup>3</sup>/<sub>8</sub>  
Weight (kg): 0.41  
Weight (lbs): 0.9

**RATINGS AND CERTIFICATIONS**  
Certified By: Certified for North American Standards  
IP rating: IP20



## A3HY40-REC-SYS COMPONENTS

PROJECT
TYPE
NOTES
QUANTITY
DATE

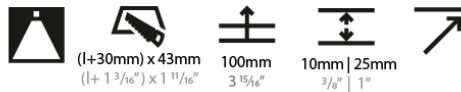
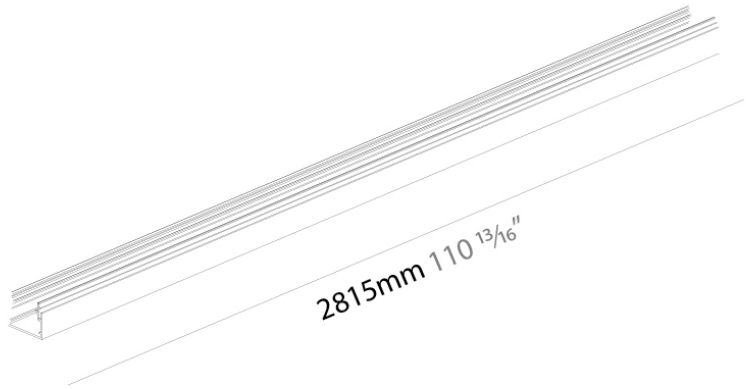
### A38883

**DESCRIPTION**  
Idaho 40 / Hypro 40 - System - 2815mm Opal Diffuser

**GENERAL**  
Partner: Prolicht  
Division: Architectural

**PHYSICAL**  
Shape: Rectangle  
Length (mm): 2815  
Length (in): 110 <sup>13</sup>/<sub>16</sub>  
Width (mm): 35  
Width (in): 1 <sup>3</sup>/<sub>8</sub>  
Height (mm): 28  
Height (in): 1 <sup>1</sup>/<sub>8</sub>  
Weight (kg): 0.551  
Weight (lbs): 1.215

**RATINGS AND CERTIFICATIONS**  
Certified By: Certified for North American Standards  
IP rating: IP20



PROJECT
TYPE
NOTES
QUANTITY
DATE

## A3HY40-REC-SYS COMPONENTS

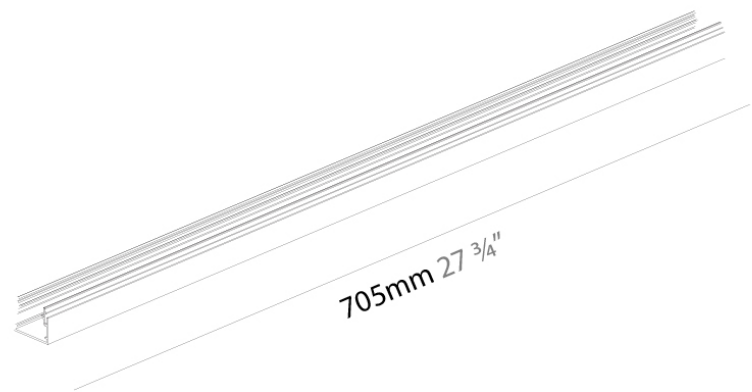
### A38884

**DESCRIPTION**  
 Idaho 40 / Hypro 40 - Recessed System - 705mm Micro Prism Diffuser

**GENERAL**  
 Partner: Prolight  
 Division: Architectural

**PHYSICAL**  
 Shape: Rectangle  
 Length (mm): 705  
 Length (in): 27 3/4  
 Width (mm): 35  
 Width (in): 1 3/8  
 Height (mm): 28  
 Height (in): 1 1/8  
 Weight (kg): 0.2  
 Weight (lbs): 0.44  
 Diffuser: PMMA - Micro-Prism

**RATINGS AND CERTIFICATIONS**  
 Certified By: Certified for North American Standards  
 IP rating: IP20



PROJECT
TYPE
NOTES
QUANTITY
DATE

## A3HY40-REC-SYS COMPONENTS

### A38885

#### DESCRIPTION

Idaho 40 / Hypro 40 - Recessed System - 1408mm Micro Prism Diffuser

#### GENERAL

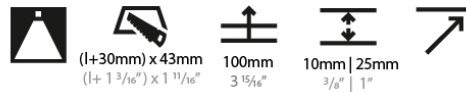
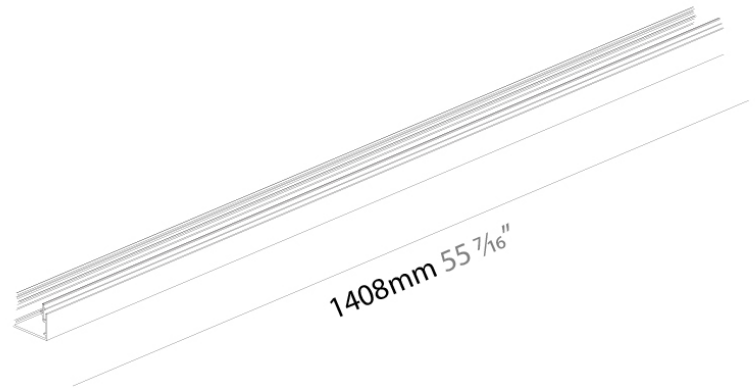
Partner: Prolight  
 Division: Architectural

#### PHYSICAL

Shape: Rectangle  
 Length (mm): 1408  
 Length (in): 55 <sup>7</sup>/<sub>16</sub>  
 Width (mm): 35  
 Width (in): 1 <sup>3</sup>/<sub>8</sub>  
 Height (mm): 28  
 Height (in): 1 <sup>3</sup>/<sub>8</sub>  
 Weight (kg): 0.4  
 Weight (lbs): 0.88  
 Diffuser: PMMA - Micro-Prism

#### RATINGS AND CERTIFICATIONS

Certified By: Certified for North American Standards  
 IP rating: IP20



PROJECT
TYPE
NOTES
QUANTITY
DATE

## A3HY40-REC-SYS COMPONENTS

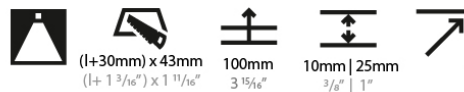
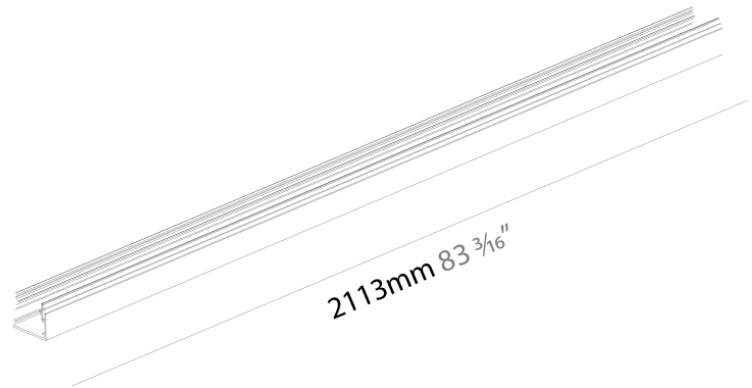
### A38886

**DESCRIPTION**  
 Idaho 40 / Hypro 40 - Recessed System - 2113mm Micro Prism Diffuser

**GENERAL**  
 Partner: Prolight  
 Division: Architectural

**PHYSICAL**  
 Shape: Rectangle  
 Length (mm): 2113  
 Length (in): 83 3/16  
 Width (mm): 35  
 Width (in): 1 3/8  
 Height (mm): 28  
 Height (in): 1 1/8  
 Weight (kg): 0.599  
 Weight (lbs): 1 5/16  
 Diffuser: PMMA - Micro-Prism

**RATINGS AND CERTIFICATIONS**  
 Certified By: Certified for North American Standards  
 IP rating: IP20



## A3HY40-REC-SYS COMPONENTS

PROJECT	
TYPE	
NOTES	
QUANTITY	
DATE	

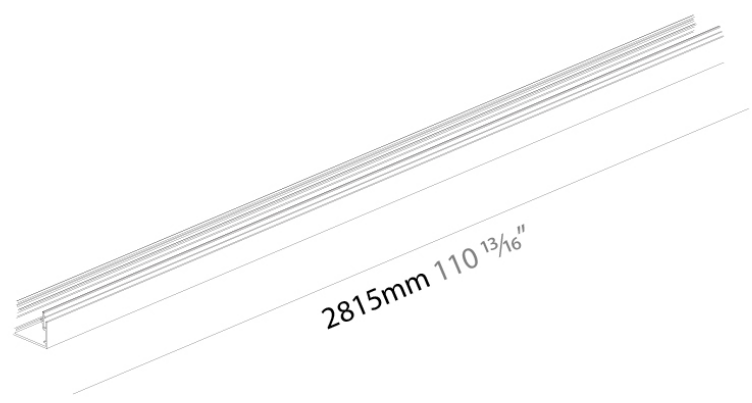
### A38887

**DESCRIPTION**  
 Idaho 40 / Hypro 40 - Recessed System - 2815mm Micro Prism Diffuser

**GENERAL**  
 Partner: Prolight  
 Division: Architectural

**PHYSICAL**  
 Length (mm): 2815  
 Length (in): 110 <sup>13</sup>/<sub>16</sub>  
 Width (mm): 35  
 Width (in): 1 <sup>3</sup>/<sub>8</sub>  
 Height (mm): 28  
 Height (in): 1 <sup>3</sup>/<sub>8</sub>  
 Weight (kg): 0.798  
 Weight (lbs): 1.76  
 Diffuser: PMMA - Micro-Prism

**RATINGS AND CERTIFICATIONS**  
 Certified By: Certified for North American Standards  
 IP rating: IP20



PROJECT	
TYPE	
NOTES	
QUANTITY	
DATE	

## A3HY40-REC-SYS COMPONENTS

### A38888

#### DESCRIPTION

Hypro 40 - Recessed System - Rico Cover - 705mm - Transparent / Black

#### GENERAL

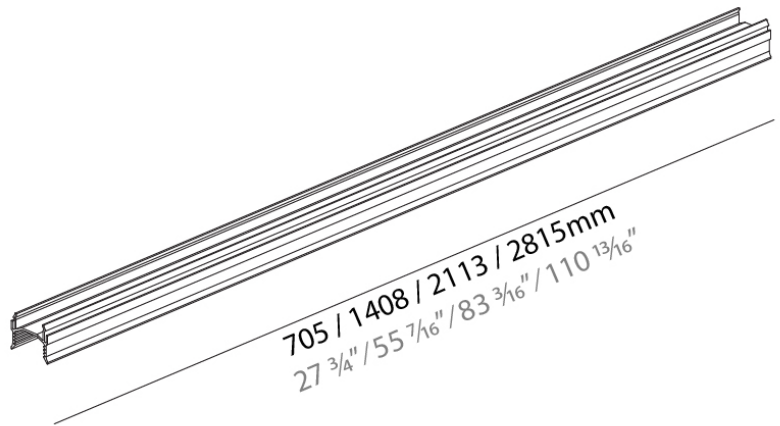
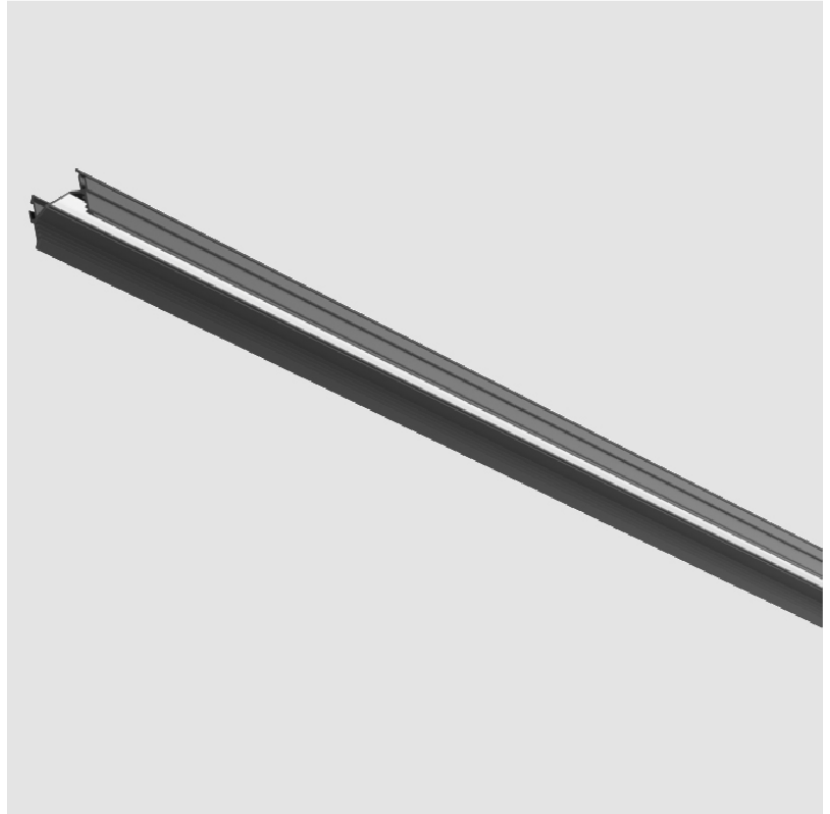
Series: Hypro  
 Subseries: Hypro 40  
 Partner: Prolicht  
 Division: Architectural

#### PHYSICAL

Shape: Rectangle  
 Length (mm): 705  
 Length (in): 27 <sup>3</sup>/<sub>4</sub>  
 Width (mm): 35  
 Width (in): 1 <sup>3</sup>/<sub>8</sub>  
 Height (mm): 28  
 Height (in): 1 <sup>1</sup>/<sub>8</sub>  
 Weight (kg): 0.138  
 Weight (lbs): 0.304  
 Diffuser: PMMA - Transparent / Black

#### RATINGS AND CERTIFICATIONS

Certified By: Certified for North American Standards  
 IP rating: IP20



PROJECT	
TYPE	
NOTES	
QUANTITY	
DATE	

## A3HY40-REC-SYS COMPONENTS

### A38889

#### DESCRIPTION

Idaho 40 / Hypro 40 - Rico LED (Zhaga Standard) Cover - 1408mm - Transparent

#### GENERAL

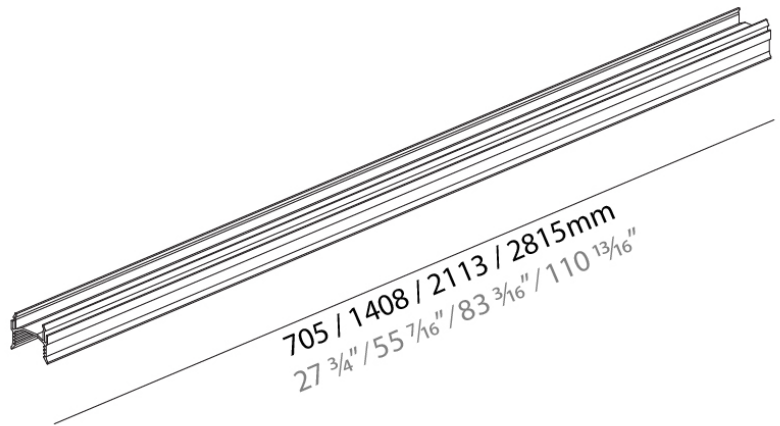
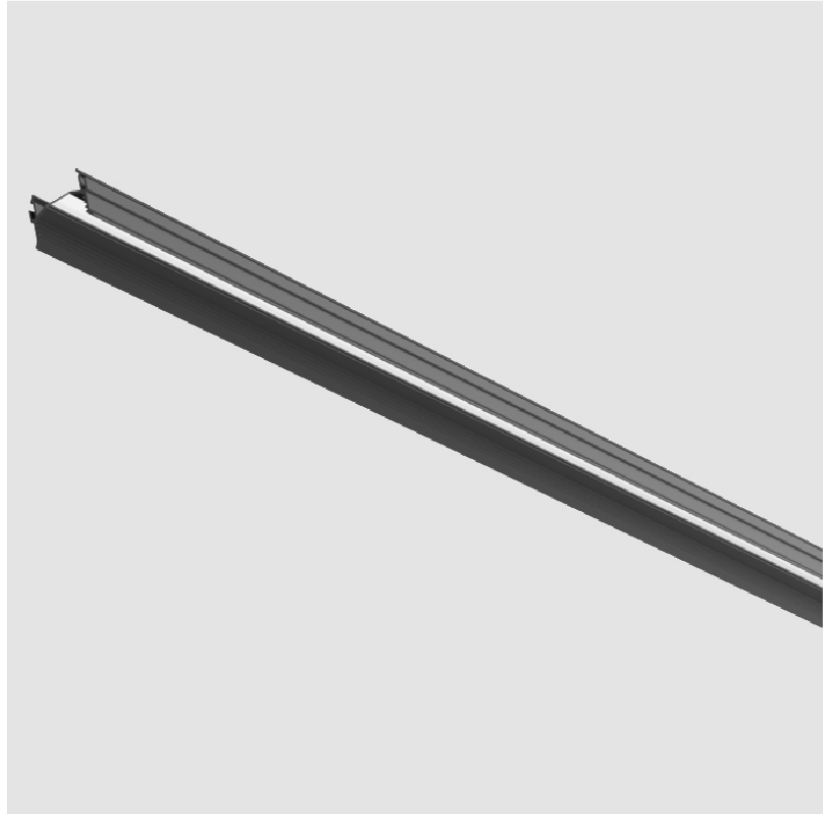
Series: Hypro  
 Subseries: Hypro 40  
 Partner: Prolight  
 Division: Architectural

#### PHYSICAL

Shape: Rectangle  
 Length (mm): 1408  
 Length (in): 55 <sup>7</sup>/<sub>16</sub>  
 Width (mm): 35  
 Width (in): 1 <sup>3</sup>/<sub>8</sub>  
 Height (mm): 28  
 Height (in): 1 <sup>1</sup>/<sub>8</sub>  
 Weight (kg): 0.276  
 Weight (lbs): 0.608  
 Diffuser: PMMA - Transparent

#### RATINGS AND CERTIFICATIONS

Certified By: Certified for North American Standards  
 IP rating: IP20



PROJECT	_____
TYPE	_____
NOTES	_____
QUANTITY	_____
DATE	_____

## A3HY40-REC-SYS COMPONENTS

### A38890

#### DESCRIPTION

Idaho 40 / Hypro 40 - Recessed System - 2113mm Clear Cover

#### GENERAL

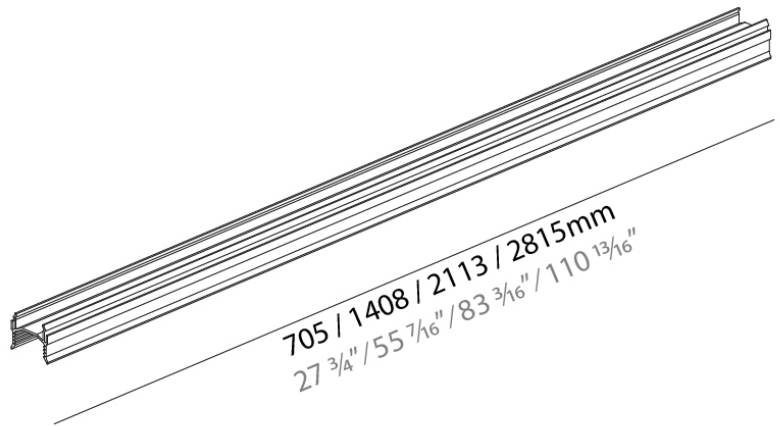
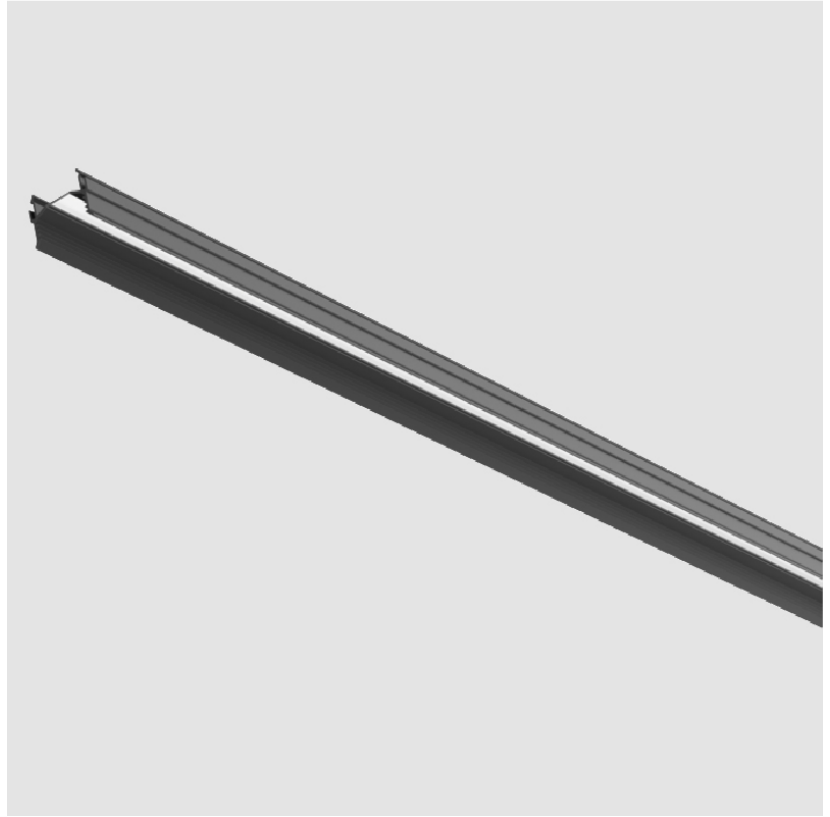
Series: Hypro  
 Subseries: Hypro 40  
 Partner: Prolicht  
 Division: Architectural

#### PHYSICAL

Shape: Rectangle  
 Length (mm): 2113  
 Length (in):  $83 \frac{3}{16}$   
 Width (mm): 35  
 Width (in):  $1 \frac{3}{8}$   
 Height (mm): 28  
 Height (in):  $1 \frac{1}{8}$   
 Weight (kg): 0.414  
 Weight (lbs): 0.913

#### RATINGS AND CERTIFICATIONS

Certified By: Certified for North American Standards  
 IP rating: IP20



PROJECT	
TYPE	
NOTES	
QUANTITY	
DATE	

## A3HY40-REC-SYS COMPONENTS

### A38891

#### DESCRIPTION

Idaho 40 / Hypro 40 - Recessed System - 2815mm Clear Cover

#### GENERAL

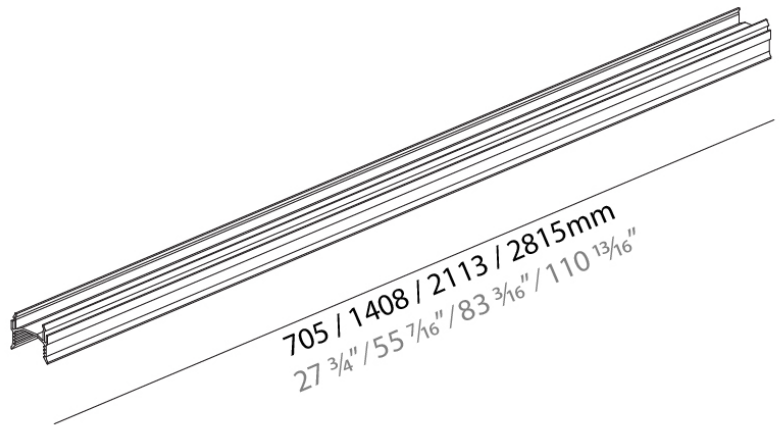
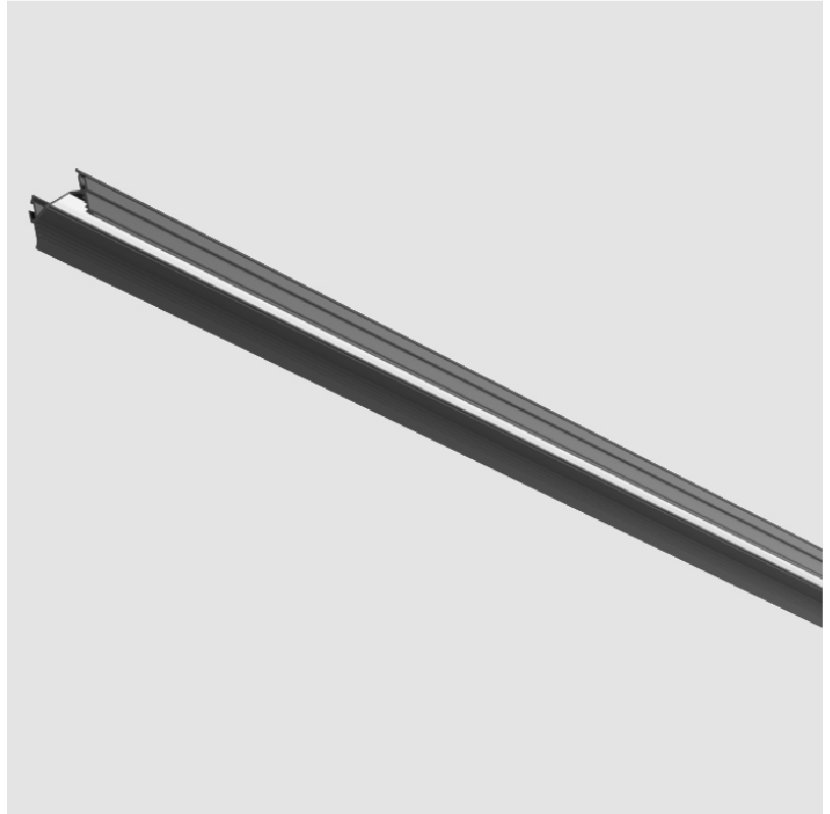
Series: Hypro  
 Subseries: Hypro 40  
 Partner: Prolicht  
 Division: Architectural

#### PHYSICAL

Shape: Rectangle  
 Length (mm): 2815  
 Length (in): 110 <sup>13</sup>/<sub>16</sub>  
 Width (mm): 35  
 Width (in): 1 <sup>3</sup>/<sub>8</sub>  
 Height (mm): 28  
 Height (in): 1 <sup>1</sup>/<sub>8</sub>  
 Weight (kg): 0.551  
 Weight (lbs): 1.215  
 Diffuser: PMMA - Transparent

#### RATINGS AND CERTIFICATIONS

Certified By: Certified for North American Standards  
 IP rating: IP20



PROJECT
TYPE
NOTES
QUANTITY
DATE

## A3HY40-REC-SYS COMPONENTS

### A38892

#### DESCRIPTION

Idaho / Hypro 40 Recessed System - 1000mm Black Cover

#### GENERAL

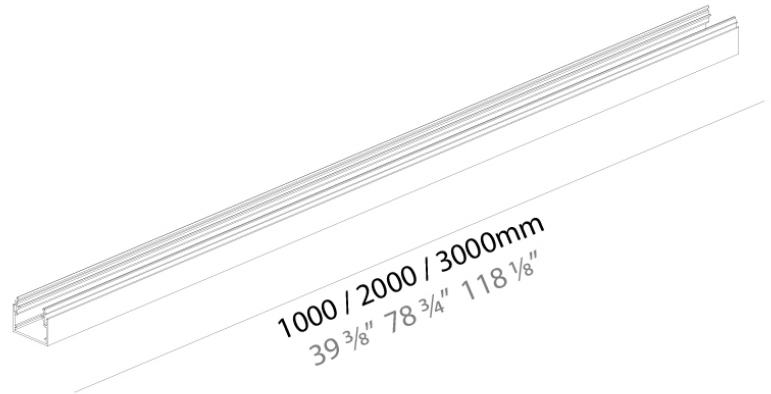
Series: Hypro  
Subseries: Hypro 40  
Partner: Prolicht  
Division: Architectural

#### PHYSICAL

Shape: Rectangle  
Length (mm): 1000  
Length (in):  $39 \frac{3}{8}$   
Width (mm): 35  
Width (in):  $1 \frac{3}{8}$   
Height (mm): 28  
Height (in):  $1 \frac{1}{8}$   
Weight (kg): 0.194  
Weight (lbs): 0.428  
Fixture Material: Aluminum

#### RATINGS AND CERTIFICATIONS

Certified By: Certified for North American Standards  
IP rating: IP20



PROJECT
TYPE
NOTES
QUANTITY
DATE

## A3HY40-REC-SYS COMPONENTS

### A38893

#### DESCRIPTION

Idaho / Hypro 40 Recessed System - 2000mm Black Cover

#### GENERAL

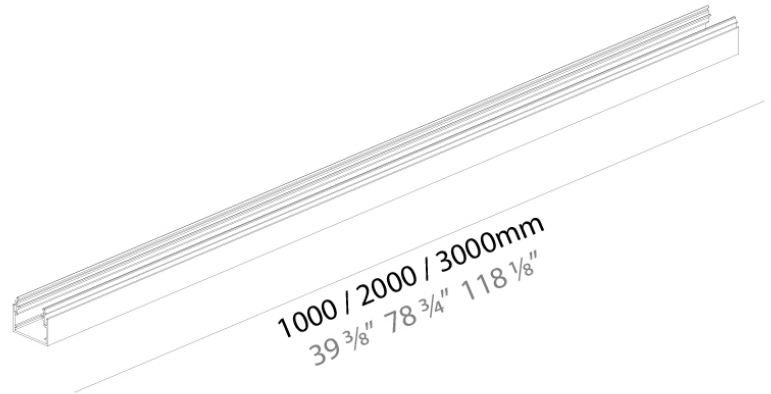
Series: Hypro  
 Subseries: Hypro 40  
 Partner: Prolicht  
 Division: Architectural

#### PHYSICAL

Shape: Rectangle  
 Length (mm): 2000  
 Length (in): 78 3/4  
 Width (mm): 35  
 Width (in): 1 3/8  
 Height (mm): 28  
 Height (in): 1 1/8  
 Weight (kg): 0.392  
 Weight (lbs): 0.86  
 Fixture Material: Aluminum

#### RATINGS AND CERTIFICATIONS

Certified By: Certified for North American Standards  
 IP rating: IP20



PROJECT
TYPE
NOTES
QUANTITY
DATE

## A3HY40-REC-SYS COMPONENTS

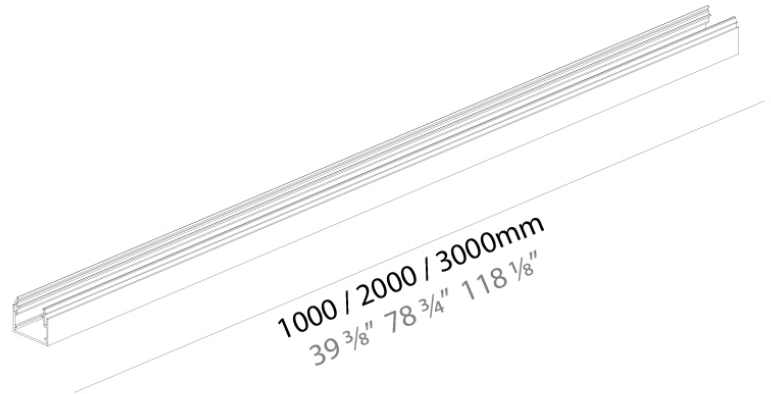
### A38894

**DESCRIPTION**  
Idaho / Hypro 40 Recessed System - 3000mm Black Cover

**GENERAL**  
Series: Hypro  
Subseries: Hypro 40  
Partner: Prolicht  
Division: Architectural

**PHYSICAL**  
Shape: Rectangle  
Length (mm): 3000  
Length (in): 118 1/8  
Width (mm): 35  
Width (in): 1 3/8  
Height (mm): 28  
Height (in): 1 1/8  
Weight (kg): 0.588  
Weight (lbs): 1.3  
Fixture Material: Aluminum

**RATINGS AND CERTIFICATIONS**  
Certified By: Certified for North American Standards  
IP rating: IP20



## A3HY40-REC-SYS COMPONENTS RECESSED

### A38895-

#### DESCRIPTION

Idaho 40 / Hypro 40 - Recessed System - Korona Aluminium Profile per meter - Max 3000mm / 118 1/8"

#### GENERAL

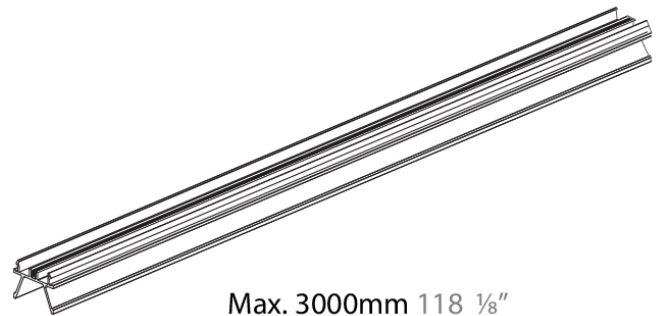
Series: Hypro  
Subseries: Hypro 40  
Partner: Prolicht  
Division: Architectural  
Installation: Recessed  
Product Type: Linear Profiles  
Mounting Location: Ceiling

#### PHYSICAL

Shape: Rectangle  
Length (mm): Max. 3000  
Length (in): 118 1/8  
Width (mm): 35.2  
Width (in): 1 3/8  
Height (mm): 27.4  
Height (in): 1 1/16  
Weight (kg): 0.237  
Weight (lbs): 0.52  
Fixture Finish: ANA / SSR / BKV / CWI / CRY / HAB / MSR / UFT / ITA / RUA / OGR / FTG / MYG / RWR / LOD / PUS / FRO / FUP / KIA / POP / BLS / SPG / MEY / GOH / CHC / COM / ABZ / JAG / OBR / MOS / ROR  
Fixture Material: Aluminum

#### RATINGS AND CERTIFICATIONS

Certified By: Certified for North American Standards  
IP rating: IP20



PROJECT
TYPE
NOTES
QUANTITY
DATE

## A3HY40-REC-SYS COMPONENTS

### A38896-

**DESCRIPTION**  
Idaho 40 / Hypro 40 - Recessed System - End Plate Corona - 1 pair

#### GENERAL

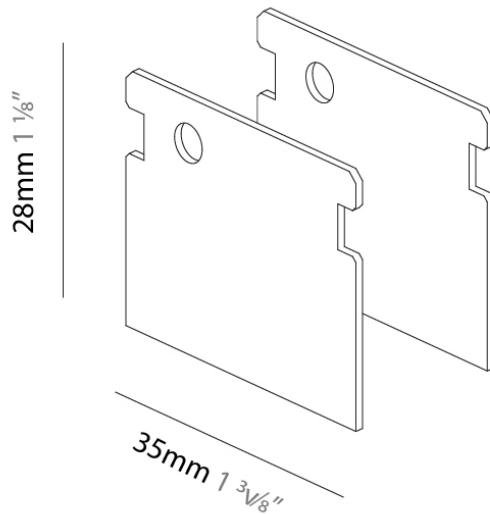
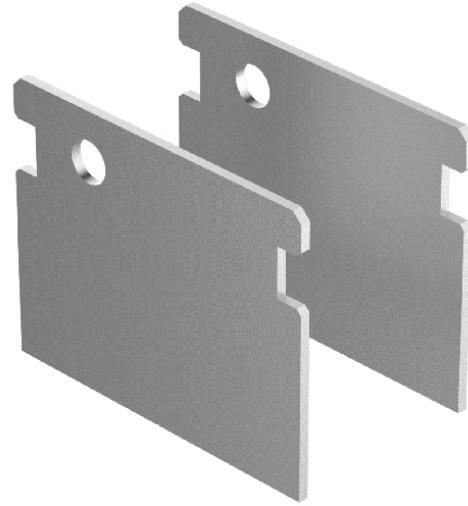
Series: Hypro  
Subseries: Hypro 40  
Partner: Prolicht  
Division: Architectural

#### PHYSICAL

Shape: Rectangle  
Length (mm): 1  
Length (in): 1/16  
Width (mm): 35  
Width (in): 1 3/8  
Height (mm): 28  
Height (in): 1 1/8  
Weight (kg): 0.015  
Weight (lbs): 0.033  
Fixture Finish: SSR / BKV / CWI / CRY / HAB / UFT / ITA / RUA / FTG / MYG / LOD / PUS / FRO / FUP / KIA / POP / BLS / SPG / MEY / GOH / CHC / COM / ABZ / JAG / OBR / MOS / ROR  
Fixture Material: Aluminum

#### RATINGS AND CERTIFICATIONS

Certified By: Certified for North American Standards  
IP rating: IP20



PROJECT	_____
TYPE	_____
NOTES	_____
QUANTITY	_____
DATE	_____

## A3HY40-REC-SYS COMPONENTS RECESSED

### A38898-

#### DESCRIPTION

Centriq 40 - Hypro 40 Profile Insert - 6.6W LED (Zhaga Standard)  
 - 2700K / 3000K / 35000K / 4000K - Beam: 10°

#### GENERAL

Series: Centriq  
 Partner: Prolicht  
 Division: Architectural  
 Installation: Recessed  
 Product Type: Spots  
 Mounting Location: Ceiling  
 Light Distribution: Adjustable / Direct

#### PHYSICAL

Aperture Sizes - Downlights: 1"  
 Shape: Cylinder  
 Diameter (mm): 40  
 Diameter (in): 1 <sup>9</sup>/<sub>16</sub>"  
 Length (mm): 500  
 Length (in): 19 <sup>11</sup>/<sub>16</sub>"  
 Height (mm): 86  
 Height (in): 3 <sup>3</sup>/<sub>8</sub>"  
 Weight (kg): 0.608  
 Weight (lbs): 0.68  
 Fixture Finish: SSR / BKV / CWI / CRY / HAB / UFT / ITA / RUA / FTG / MYG / LOD / PUS / FRO / FUP / KIA / POP / BLS / SPG / MEY / GOH / CHC / COM / ABZ / JAG / OBR / MOS / ROR  
 Fixture Material: Aluminum

#### ELECTRICAL

Input Wattage Range: 1 - 9 W  
 Lamp Type: LED (Zhaga Standard)  
 Input Wattage (W): 6.6  
 Total Output Wattage (W): 6.3  
 Dimming: Non-Dimmable / 0-10V Dimming  
 Driver Included: Yes  
 Driver Location: Integrated  
 Driver Type: Constant Current - 120Vac  
 Driver Class: Class 2  
 Input Voltage (V): 120  
 Constant Current (MA): 500

#### LED

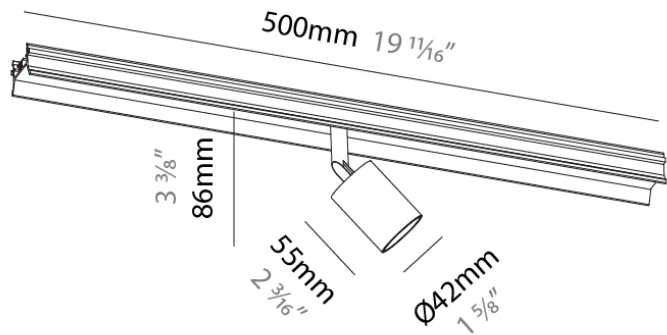
Delivered Lumen Range: 100 - 499 lm  
 Number of LEDs: 1  
 Color Temperature (°K): 2700 / 3000 / 3500 / 4000  
 Max. Delivered Lumen (lm): 350 / 380 / 392 / 400  
 Nominal Lumen (lm): 448 / 483 / 504 / 514  
 CRI: >90 CRI  
 Lamp Life (hrs): 50000

#### OPTICAL

Beam Angle: 10

#### RATINGS AND CERTIFICATIONS

Certified By: Certified for North American Standards  
 IP rating: IP20



PROJECT
TYPE
NOTES
QUANTITY
DATE

## A3HY40-REC-SYS COMPONENTS TRACK

### A38907-

#### DESCRIPTION

Magiq 4 - Hypro 40 Profile Recessed Insert - 14W LED (Zhaga Standard) - 2700K / 3000K / 3500K / 4000K - Black - Reflectors 8° / 14° / 34°

#### GENERAL

Series: Magiq  
 Subseries: Magiq 4 Cell  
 Partner: Prolicht  
 Division: Architectural  
 Installation: Track  
 Product Type: Downlight  
 Mounting Location: Ceiling  
 Light Distribution: Downlight

#### PHYSICAL

Aperture Sizes - Downlights: 1"  
 Shape: Rectangle  
 Length (mm): 650  
 Length (in): 25 7/16  
 Width (mm): 35  
 Width (in): 1 3/8  
 Height (mm): 72  
 Height (in): 2 13/16  
 Weight (kg): 0.577  
 Weight (lbs): 1.27  
 Fixture Finish: BLK / WHI  
 Fixture Material: Aluminum Die Cast

#### ELECTRICAL

Input Wattage Range: 10 - 19 W  
 Lamp Type: LED (Zhaga Standard)  
 Input Wattage (W): 13.4  
 Total Output Wattage (W): 12.1  
 Dimming: Tri-Mode (Non-Dimming and Phase Dimming (120Vac only) and 0-10V Dimming)  
 Driver Included: Yes  
 Driver Location: Integrated  
 Driver Type: Constant Current - Universal  
 Driver Class: Class 2  
 Input Voltage (V): 120 - 277  
 Constant Current (mA): 1050

#### LED

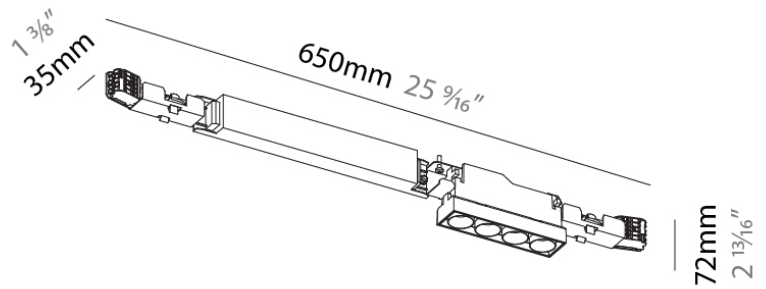
Delivered Lumen Range: 500 - 999 lm  
 Number of LEDs: 4  
 Color Temperature (°K): 2700 / 3000 / 3500 / 4000  
 Max. Delivered Lumen (lm): 781 / 843 / 860 / 878  
 Nominal Lumen (lm): 880 / 954 / 970 / 990  
 CRI: >90 CRI  
 Lamp Life (hrs): 50000

#### OPTICAL

Reflector: 8 / 14 / 34

#### RATINGS AND CERTIFICATIONS

Certified By: Certified for North American Standards  
 IP rating: IP20



PROJECT
TYPE
NOTES
QUANTITY
DATE

## A3HY40-REC-SYS COMPONENTS

### A38909-

#### DESCRIPTION

Magiq 4 + 4 - Hypro 40 Profile Surface Insert - 26.6W LED (Zhaga Standard) - 2700K / 3000K / 3500K / 4000K - Black - Reflectors 11° / 22° / 33°

#### GENERAL

Series: Magiq  
 Subseries: Magiq 4 + 4 Cell  
 Partner: Prolight  
 Division: Architectural  
 Product Type: Downlight  
 Light Distribution: Downlight

#### PHYSICAL

Aperture Sizes - Downlights: 1"  
 Shape: Rectangle  
 Length (mm): 910  
 Length (in): 35 <sup>13</sup>/<sub>16</sub>"  
 Width (mm): 35  
 Width (in): 1 <sup>3</sup>/<sub>8</sub>"  
 Height (mm): 72  
 Height (in): 2 <sup>13</sup>/<sub>16</sub>"  
 Weight (kg): 0.923  
 Weight (lbs): 2.035  
 Fixture Material: Aluminum Die Cast

#### ELECTRICAL

Input Wattage Range: 20 - 29 W  
 Lamp Type: LED (Zhaga Standard)  
 Input Wattage (W): 26.9  
 Total Output Wattage (W): 24.2  
 Dimming: Tri-Mode (Non-Dimming and Phase Dimming (120Vac only) and 0-10V Dimming)  
 Driver Included: Yes  
 Driver Location: Integrated  
 Driver Type: Constant Current - Universal  
 Driver Class: Class 2  
 Input Voltage (V): 120 - 277  
 Constant Current (mA): 1050

#### LED

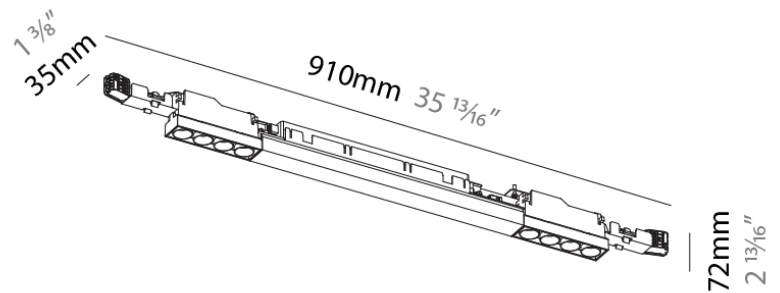
Delivered Lumen Range: 1000 - 1999 lm  
 Number of LEDs: 8  
 Color Temperature (°K): 2700 / 3000 / 3500 / 4000  
 Max. Delivered Lumen (lm): 1561 / 1685 / 1809 / 1756  
 Nominal Lumen (lm): 1761 / 1908 / 1940 / 1980  
 CRI: >90 CRI  
 Lamp Life (hrs): 50000

#### OPTICAL

Reflector°: 11 / 22 / 33

#### RATINGS AND CERTIFICATIONS

Certified By: Certified for North American Standards  
 IP rating: IP20



## A3HY40-REC-SYS COMPONENTS

### A38919-

#### DESCRIPTION

Rico LED (Zhaga Standard) - Hypro 40 Profile Insert - 16.5W LED (Zhaga Standard) - 2700K / 3000K / 3500K / 4000K - Beam Angle: 46° / 62°

#### GENERAL

Series: Hypro  
 Subseries: Hypro 40  
 Partner: Prolicht  
 Division: Architectural  
 Light Distribution: Direct

#### PHYSICAL

Length (mm): 705  
 Length (in): 27 <sup>3</sup>/<sub>4</sub>  
 Width (mm): 29  
 Width (in): 1 <sup>1</sup>/<sub>10</sub>  
 Height (mm): 50  
 Height (in): 2  
 Weight (kg): 0.668  
 Weight (lbs): 1.47  
 Fixture Material: Metal

#### ELECTRICAL

Input Wattage Range: 10 - 19 W  
 Lamp Type: LED (Zhaga Standard)  
 Input Wattage (W): 16.5  
 Total Output Wattage (W): 15  
 Dimming: Non-Dimmable / 0-10V Dimming  
 Driver Included: Yes  
 Driver Location: Integrated  
 Driver Type: Constant Current - 120Vac  
 Driver Class: Class 2  
 Input Voltage (V): 120  
 Constant Current (mA): 350

#### LED

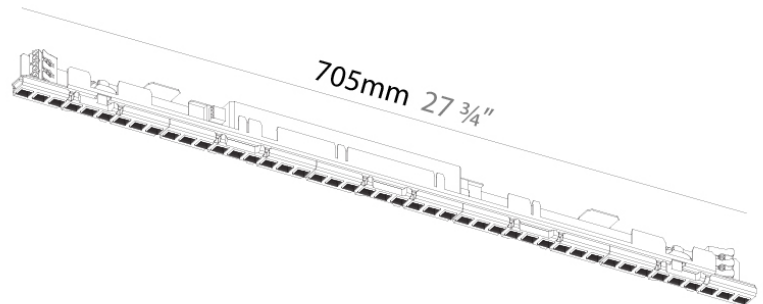
Delivered Lumen Range: 1000 - 1999 lm  
 Color Temperature (°K): 2700 / 3000 / 3500 / 4000  
 Max. Delivered Lumen (lm): 1760 / 1880 / 1920 / 1960  
 Nominal Lumen (lm): 2250 / 2400 / 2450 / 2500  
 CRI: >80 CRI  
 Lamp Life (hrs): 50000

#### OPTICAL

Beam Angle: 46 / 62

#### RATINGS AND CERTIFICATIONS

Certified By: Certified for North American Standards  
 IP rating: IP20



## A3HY40-REC-SYS COMPONENTS

### A38920-

#### DESCRIPTION

Rico LED (Zhaga Standard) - Hypro 40 Profile Insert - 33.W LED (Zhaga Standard) - 2700K / 3000K / 3500K / 4000K - Beam Angle: 46° / 62°

#### GENERAL

Series: Hypro  
Subseries: Hypro 40  
Partner: Prolicht  
Division: Architectural  
Light Distribution: Direct

#### PHYSICAL

Length (mm): 1408  
Length (in): 55 <sup>7</sup>/<sub>16</sub>"  
Width (mm): 29  
Width (in): 1 <sup>1</sup>/<sub>10</sub>"  
Height (mm): 50  
Height (in): 2  
Weight (kg): 1.191  
Weight (lbs): 2.63  
Fixture Material: Metal

#### ELECTRICAL

Input Wattage Range: 30 - 49 W  
Lamp Type: LED (Zhaga Standard)  
Input Wattage (W): 33.3  
Total Output Wattage (W): 30  
Dimming: Non-Dimmable / 0-10V Dimming  
Driver Included: Yes  
Driver Location: Integrated  
Driver Type: Constant Current - 120Vac  
Driver Class: Class 1  
Input Voltage (V): 120  
Constant Current (mA): 350

#### LED

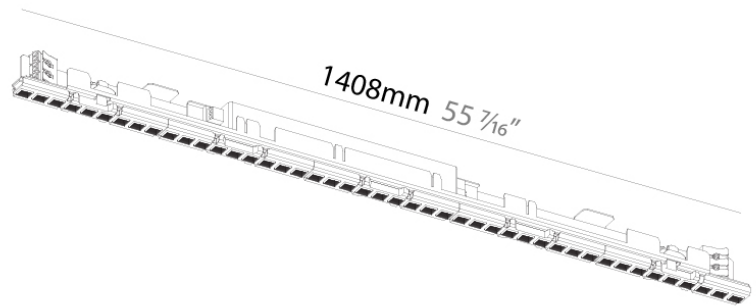
Delivered Lumen Range: 3000 - 4999 lm  
Color Temperature (°K): 2700 / 3000 / 3500 / 4000  
Max. Delivered Lumen (lm): 3520 / 3760 / 3243 / 3920  
Nominal Lumen (lm): 4500 / 4800 / 4900 / 5000  
CRI: >80 CRI  
Lamp Life (hrs): 50000

#### OPTICAL




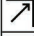


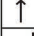



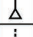


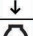








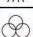


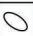











































Beam Angle: 46 / 62

#### RATINGS AND CERTIFICATIONS











Certified By: Certified for North American Standards  
IP rating: IP20













### LEGEND

	floor-mounted		pivotal		special LED (upon request) RGB, RGBW, tunable, gold+, meat+, art+, fashion+
	wall and ceiling: recessed and surface mounted		rotating		warm dim / natural dimming LED
	ceiling-mounted and wall-mounted		illuminate tilted		rechargeable battery powered
	wall-mounted		color of suspension cable		fixture with natural vivid LED (upon request)
	omni-directional light distribution		length of suspension cable		color rendering index
	direct light distribution		reflector degree selection		color temperature
	direct/indirect light distribution		super spot		lumen (luminous flux)
	indirect light distribution		lens		efficacy (lumens per watt)
	asymmetric light distribution		lens pack		Unified Glare Rating (UGR) range from 5-40
	aura light distribution		shine ring		marine grade (AISI 316 stainless steel)
	round wall or ceiling cut-out		integrated shine ring with diffuser		walk on
	square wall or ceiling cut-out		free individual colors 01-29		drive on
	the supplied jig specifies the cutout dimensions		individual colors: 00 (free of charge), 01-25 (extra charge)		Dark Sky Compliance
	minimum distance (meters) lamp - object		luminaire part to be colored (F1)		Americans with Disabilities Act (less than 4" off the wall located between 27"-84" from floor)
	recessed depth		luminaire part to be colored (F2)		lamp protected against explosion
	ceiling thickness in mm		luminaire part to be colored (F3)		blown glass using traditional methods by master glass blower
	ceiling thickness selection		luminaire part to be colored (F4)		acoustic material
	dimnable DP (phase), DV (0-10V), DD (dali), DS (step-dim)		luminaire part to be colored (F5)		protection class I, protection insulation
	included or excluded LED driver/transformer/control gear		color of 3-circuit adaptor		protection class II, protection insulation
	separately switchable		indirect diffuser		ETL Certified to UL and CSA Standards
	sensor		direct diffuser		UL Certified to UL and CSA Standards
	remote control		ball-proof (upon request)		CSA Certified to UL and CSA Standards
	available upon request		accessory		Certified for North American Standards

### IP RATING

	protected against ingress of solid bodies greater than 12.5mm (finger)
	protected against ingress of solid bodies greater than 2.5mm protected against sprays of water up to 60 degrees from the vertical (rain)
	protected against ingress of solid bodies greater than 1mm (wire) no protection against the ingress of moisture
	protected against ingress of solid bodies greater than 1mm (wire) protected against sprays of water up to 60 degrees from the vertical (rain)
	protected against ingress of solid bodies greater than 1mm (wire) protected against water splashed from all directions
	protected against limited ingress of dust (wet rooms/covered outdoor areas) protected against water splashed from all directions
	protected against ingress of dust protected against jets of water
	protected against ingress of dust protected against powerful jets of water or heavy seas
	protected against ingress of dust protected against immersion of water between 15cm - 1m for 30 minutes
	protected against ingress of dust protected against immersion of water under pressure for long periods

### IK RATING

	protected against 0.14 joules impact (equivalent to 0.25kg mass dropped from 56mm above the surface)
	protected against 0.2 joules impact (equivalent to 0.25kg mass dropped from 80mm above the surface)
	protected against 0.35 joules impact (equivalent to 0.25kg mass dropped from 140mm above the surface)
	protected against 0.5 joules impact (equivalent to 0.25kg mass dropped from 200mm above the surface)
	protected against 0.7 joules impact (equivalent to 0.25kg mass dropped from 280mm above the surface)
	protected against 1 joules impact (equivalent to 0.25kg mass dropped from 400mm above the surface)
	protected against 2 joules impact (equivalent to 0.5kg mass dropped from 400mm above the surface)
	protected against 5 joules impact (equivalent to 1.7kg mass dropped from 300mm above the surface)
	protected against 10 joules impact (equivalent to 5.0kg mass dropped from 200mm above the surface)
	protected against 20 joules impact (equivalent to 5.0kg mass dropped from 400mm above the surface)