

PROJECT	
TYPE	
NOTES	
QUANTITY	
DATE	

A3HY40-SUS-SYS COMPONENTS SUSPENSION

A300095-

DESCRIPTION

Idaho 40 / Hypro 40 - Suspension System Profile per meter - Max 3000mm / 118 1/8"

GENERAL

Series: Idaho
 Subseries: Idaho 40
 Partner: Prolicht
 Division: Architectural
 Installation: Suspension
 Product Type: Linear Profiles
 Mounting Location: Ceiling

PHYSICAL

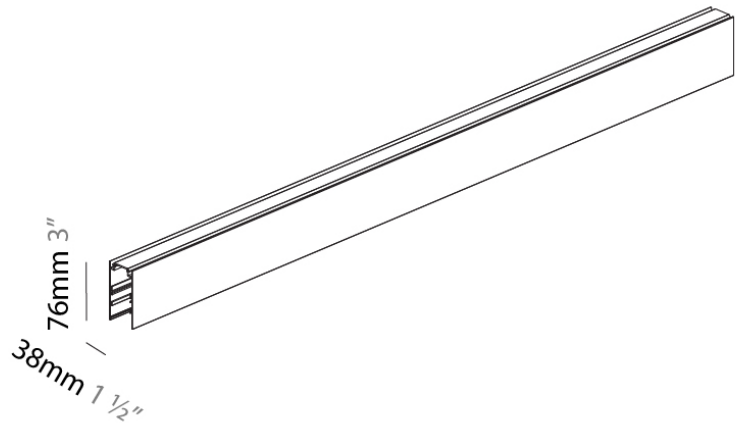
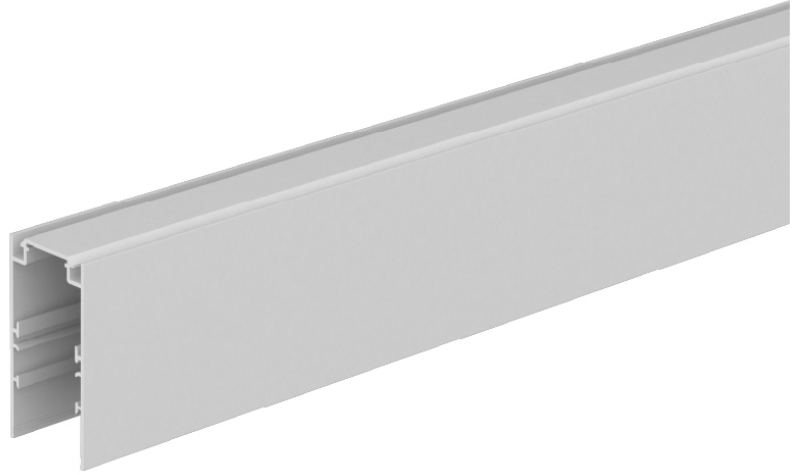
Shape: Rectangle
 Length (mm): 1000
 Length (in): 39 3/8
 Width (mm): 38
 Width (in): 1 1/2
 Height (mm): 76
 Height (in): 3
 Weight (kg): 0.959
 Weight (lbs): 2.11
 Fixture Finish: SSR / BKV / CWI / CRY / HAB / UFT / ITA / RUA / FTG / MYG / LOD / PUS / FRO / FUP / KIA / POP / BLS / SPG / MEY / GOH / CHC / COM / ABZ / JAG / OBR / MOS / ROR
 Fixture Material: Aluminum

ELECTRICAL

Lamp Type: LED (Zhaga Standard)

RATINGS AND CERTIFICATIONS

Certified By: Certified for North American Standards
 IP rating: IP20



A3HY40-SUS-SYS COMPONENTS

PROJECT	_____
TYPE	_____
NOTES	_____
QUANTITY	_____
DATE	_____

A380114

DESCRIPTION

Idaho / Hypro 40 System - Per Meter - Opal Diffuser

GENERAL

Series: Hypro
Subseries: Hypro 40
Partner: Prolicht
Division: Architectural

PHYSICAL

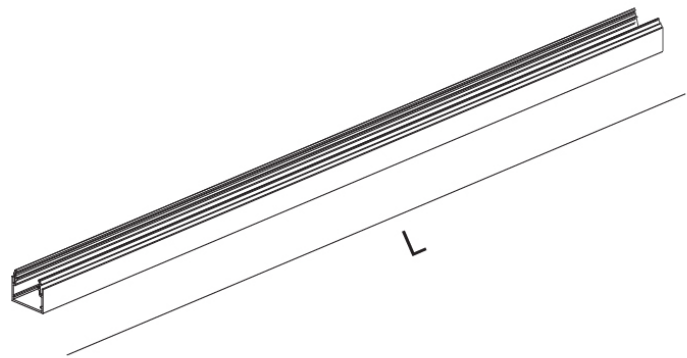
Shape: Rectangle
Length (mm): Max. 3000
Length (in): Max. 118 1/9
Width (mm): 35
Width (in): 1 3/8
Height (mm): 28
Height (in): 1 1/8
Diffuser: PMMA - Opal Diffuser - Per Meter
Fixture Material: Aluminum

ELECTRICAL

Lamp Type: LED (Zhaga Standard)

RATINGS AND CERTIFICATIONS

Certified By: Certified for North American Standards
IP rating: IP20



PROJECT	_____
TYPE	_____
NOTES	_____
QUANTITY	_____
DATE	_____

A3HY40-SUS-SYS COMPONENTS

A380115

DESCRIPTION

Idaho / Hypro 40 System - 1128mm - Opal Diffuser

GENERAL

Series: Hypro
Subseries: Hypro 40
Partner: Prolicht
Division: Architectural

PHYSICAL

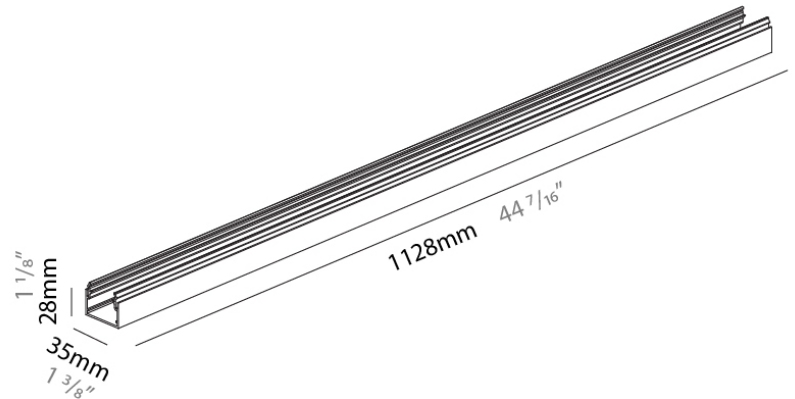
Shape: Rectangle
Length (mm): 1128
Length (in): 44 ⁷/₁₆
Width (mm): 35
Width (in): 1 ³/₈
Height (mm): 28
Height (in): 1 ¹/₈
Weight (kg): 0.221
Weight (lbs): 0.49
Diffuser: PMMA - Opal Diffuser - Per Meter
Fixture Material: Aluminum

ELECTRICAL

Lamp Type: LED (Zhaga Standard)

RATINGS AND CERTIFICATIONS

Certified By: Certified for North American Standards
IP rating: IP20



PROJECT	_____
TYPE	_____
NOTES	_____
QUANTITY	_____
DATE	_____

A3HY40-SUS-SYS COMPONENTS

A380118

DESCRIPTION

Idaho 40 / Hypro 40 - Recessed System - Rico Cover - Per Meter - Transparent / Black

GENERAL

Series: Hypro _____
Subseries: Hypro 40 _____
Partner: Prolicht _____
Division: Architectural _____

PHYSICAL

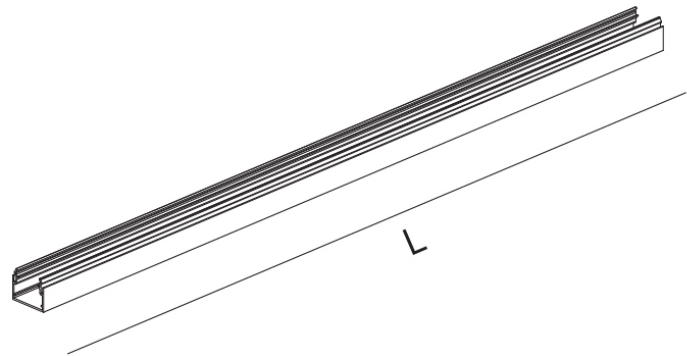
Shape: Rectangle _____
Length (mm): Max. 3000mm _____
Length (in): Max. 118 1/9 _____
Width (mm): 29 _____
Width (in): 1 3/4 _____
Height (mm): 50 _____
Height (in): 2 _____
Weight (kg): 0.138 _____
Weight (lbs): 0.304 _____
Diffuser: PMMA - Transparent / Black _____
Fixture Material: Aluminum _____

ELECTRICAL

Lamp Type: LED (Zhaga Standard) _____

RATINGS AND CERTIFICATIONS

Certified By: Certified for North American Standards _____
IP rating: IP20 _____



A3HY40-SUS-SYS COMPONENTS

A380262-

DESCRIPTION

Hyline 40 - Linear Insert 705mm / 27 3/4" for HYPRO 40
 Suspension: LED 17W Max. - CRI 90 - Non-Dimming / 0-10V
 Dimming - 2700K / 3000K / 3500K / 4000K

GENERAL

Series: Hypro
 Subseries: Hypro 40
 Partner: Prolicht
 Division: Architectural
 Light Distribution: Direct

PHYSICAL

Shape: Rectangle
 Length (mm): 705
 Length (in): 27 3/4
 Width (mm): 29
 Width (in): 1 1/8
 Height (mm): 50
 Height (in): 1 15/16
 Fixture Material: Metal

ELECTRICAL

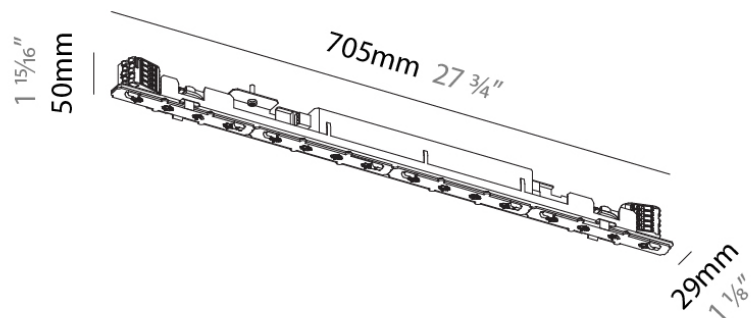
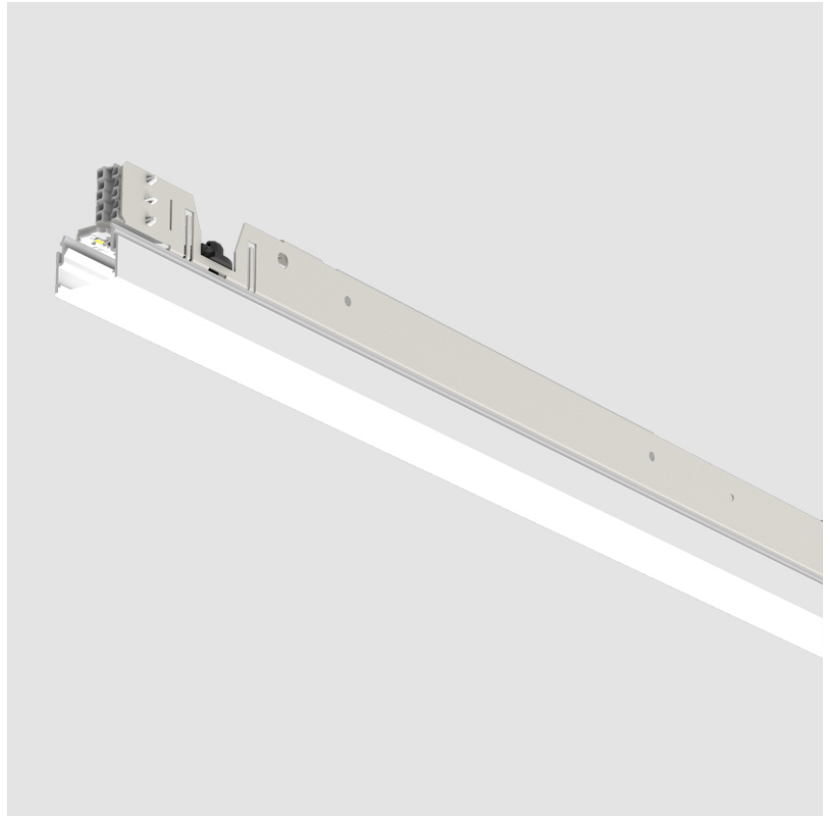
Input Wattage Range: 10 - 19 W
 Lamp Type: LED (Zhaga Standard)
 Input Wattage (W): 15.6
 Total Output Wattage (W): 14.2
 Dimming: Non-Dimmable / 0-10V Dimming
 Driver Included: Yes
 Driver Location: Integrated
 Driver Type: Constant Current - Universal
 Driver Class: Class 2
 Input Voltage (V): 120 - 277
 Constant Current (mA): 350

LED

Delivered Lumen Range: 1000 - 1999 lm
 Color Temperature (°K): 2700 / 3000 / 3500 / 4000
 Max. Delivered Lumen (lm): 1233 / 1281 / 1338 / 1365
 Nominal Lumen (lm): 2028 / 2107 / 2199 / 2244
 CRI: >90 CRI
 Lamp Life (hrs): 50000

RATINGS AND CERTIFICATIONS

Certified By: Certified for North American Standards
 IP rating: IP20



A3HY40-SUS-SYS COMPONENTS

A380270-

DESCRIPTION

Hyline 40 - Linear Insert 1128mm / 44 7/16" for HYPRO 40
 Suspension: LED 26.4W Max. - CRI 90 - Non-Dimming / 0-10V
 Dimming - 2700K / 3000K / 3500K / 4000K

GENERAL

Series: Hypro
 Subseries: Hypro 40
 Partner: Prolicht
 Division: Architectural
 Light Distribution: Direct

PHYSICAL

Shape: Rectangle
 Length (mm): 1128
 Length (in): 44 7/16
 Width (mm): 29
 Width (in): 1 1/8
 Height (mm): 50
 Height (in): 1 15/16
 Fixture Material: Metal

ELECTRICAL

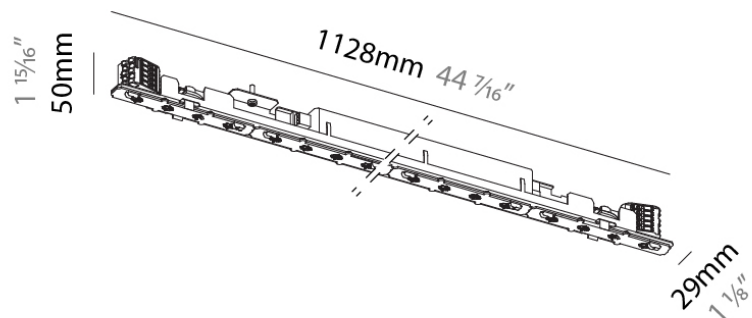
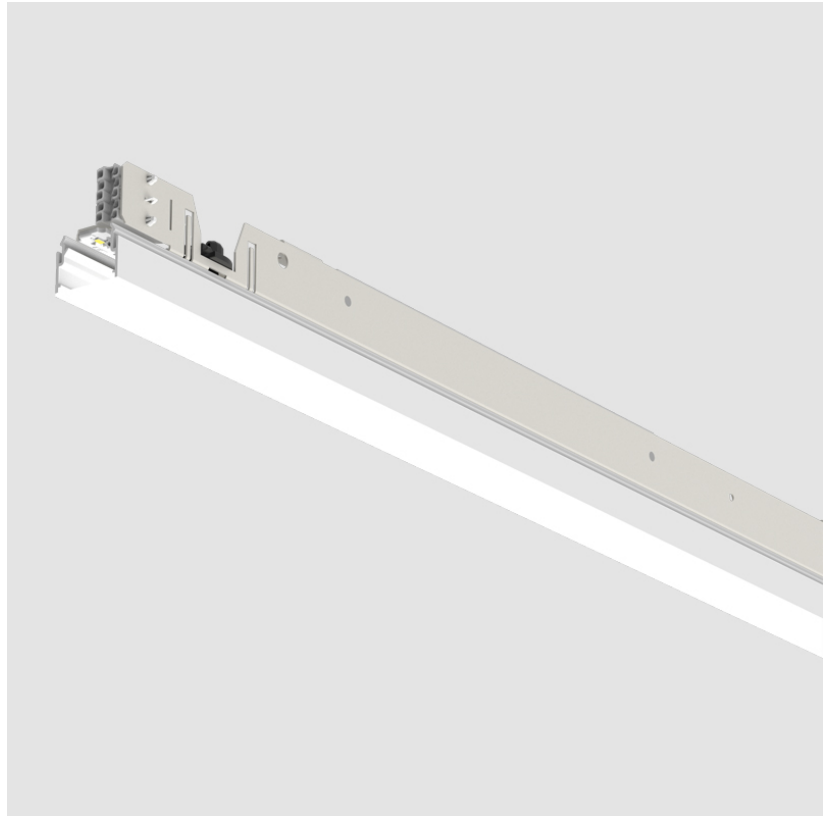
Input Wattage Range: 20 - 29 W
 Lamp Type: LED (Zhaga Standard)
 Input Wattage (W): 25.8
 Total Output Wattage (W): 23.5
 Dimming: Non-Dimmable / 0-10V Dimming
 Driver Included: Yes
 Driver Location: Integrated
 Driver Type: Constant Current - Universal
 Driver Class: Class 2
 Input Voltage (V): 120 - 277
 Constant Current (mA): 350

LED

Delivered Lumen Range: 1000 - 1999 lm
 Color Temperature (°K): 2700 / 3000 / 3500 / 4000
 Max. Delivered Lumen (lm): 1973 / 2050 / 2139 / 2183
 Nominal Lumen (lm): 3245 / 3371 / 3519 / 3591
 CRI: >90 CRI
 Lamp Life (hrs): 50000

RATINGS AND CERTIFICATIONS

Certified By: Certified for North American Standards
 IP rating: IP20



PROJECT
TYPE
NOTES
QUANTITY
DATE

A3HY40-SUS-SYS COMPONENTS

A380278-

DESCRIPTION

Hyline 40 - Linear Insert 1408mm / 55 7/16" for HYPRO 40
 Suspension: LED 33W Max. - CRI 90 - Non-Dimming / 0-10V
 Dimming - 2700K / 3000K / 3500K / 4000K

GENERAL

Series: Hypro
 Subseries: Hypro 40
 Partner: Prolicht
 Division: Architectural
 Light Distribution: Direct

PHYSICAL

Shape: Rectangle
 Length (mm): 1408
 Length (in): 55 7/16
 Width (mm): 29
 Width (in): 1 1/8
 Height (mm): 50
 Height (in): 1 15/16
 Fixture Material: Metal

ELECTRICAL

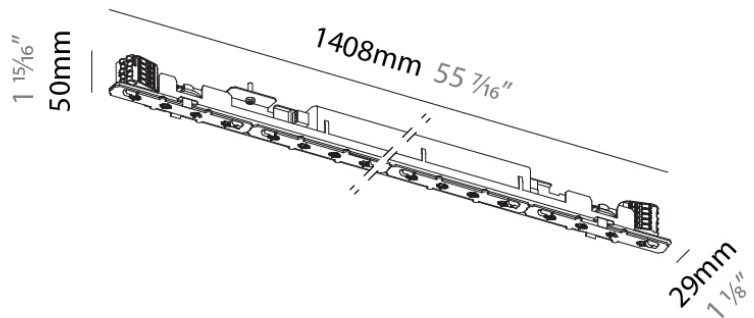
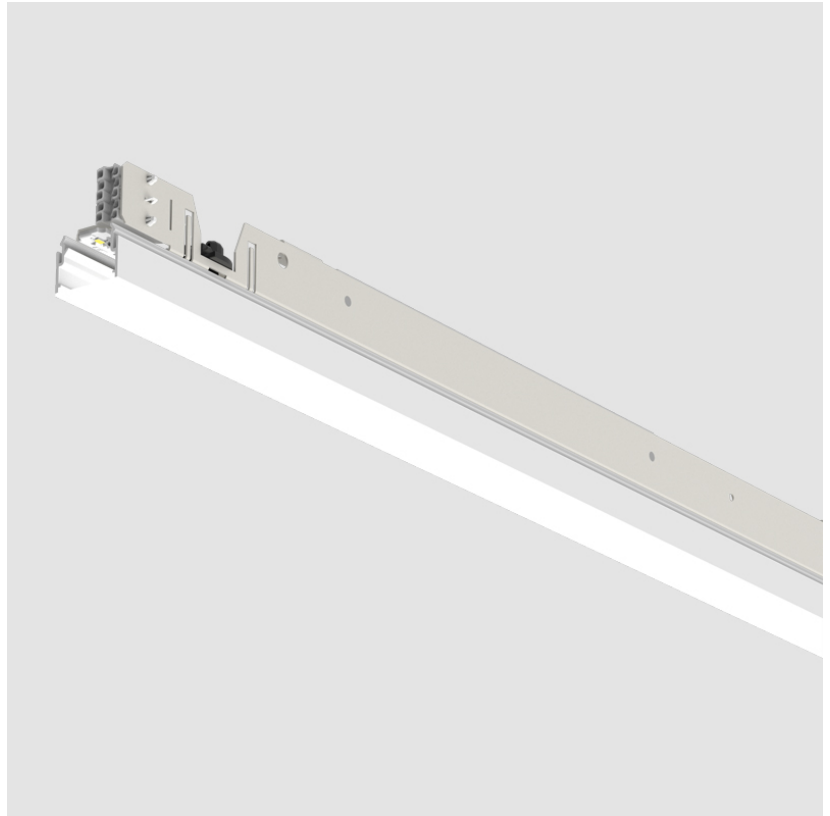
Input Wattage Range: 30 - 49 W
 Lamp Type: LED (Zhaga Standard)
 Input Wattage (W): 32.2
 Total Output Wattage (W): 29.3
 Dimming: Non-Dimmable / 0-10V Dimming
 Driver Included: Yes
 Driver Location: Integrated
 Driver Type: Constant Current - Universal
 Driver Class: Class 2
 Input Voltage (V): 120 - 277
 Constant Current (mA): 350

LED

Delivered Lumen Range: 2000 - 2999 lm
 Color Temperature (°K): 2700 / 3000 / 3500 / 4000
 Max. Delivered Lumen (lm): 2467 / 2562 / 2674 / 2729
 Nominal Lumen (lm): 4057 / 4214 / 4399 / 4489
 CRI: >90 CRI
 Lamp Life (hrs): 50000

RATINGS AND CERTIFICATIONS

Certified By: Certified for North American Standards
 IP rating: IP20



PROJECT
TYPE
NOTES
QUANTITY
DATE

A3HY40-SUS-SYS COMPONENTS

A380300-

DESCRIPTION

Oiko Pro In - Ø65mm / 2-1/2" Track Spot LED Insert for Hypro 40 Suspension: 20W LED Max. 2700K / 3000K / 3500K / 4000K - CRI90 - 34° - Dimmable

GENERAL

Series: Oiko Pro
 Subseries: Oiko Pro In
 Partner: Prolicht
 Division: Architectural
 Light Distribution: Direct

PHYSICAL

Aperture Sizes - Downlights: 1"
 Shape: Cylinder
 Length (mm): 482
 Length (in): 19
 Width (mm): 65
 Width (in): 2 5/16
 Height (mm): 177
 Height (in): 6 15/16
 Weight (kg): 0.661
 Fixture Finish: SSR / BKV / CWI / CRY / HAB / UFT / ITA / RUA / FTG / MYG / LOD / PUS / FRO / FUP / KIA / POP / BLS / SPG / MEY / GOH / CHC / COM / ABZ / JAG / OBR / MOS / ROR
 Fixture Material: Metal

ELECTRICAL

Input Wattage Range: 10 - 19 W
 Lamp Type: LED (Zhaga Standard)
 Input Wattage (W): 19.9
 Total Output Wattage (W): 18.1
 Dimming: Non-Dimmable / 0-10V Dimming
 Driver Included: Yes
 Driver Location: Integrated
 Driver Type: Constant Current - Universal
 Driver Class: Class 2
 Input Voltage (V): 120 - 277
 Constant Current (MA): 500

LED

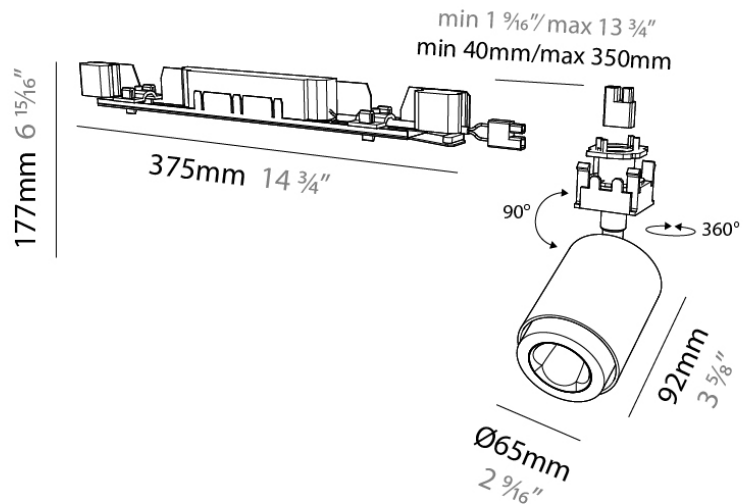
Delivered Lumen Range: 1000 - 1999 lm
 Color Temperature (°K): 2700 / 3000 / 3500 / 4000
 Max. Delivered Lumen (lm): 1410 / 1517 / 1571 / 1603
 Nominal Lumen (lm): 1905 / 2050 / 2123 / 2166
 CRI: >90 CRI
 Lamp Life (hrs): 50000

OPTICAL

Beam Angle: 34
 Adjustability: Rotational 350°; Tilt 90°

RATINGS AND CERTIFICATIONS

Certified By: Certified for North American Standards
 IP rating: IP20



A3HY40-SUS-SYS COMPONENTS

A380301-

DESCRIPTION

Oiko Pro In - Ø65mm / 2-1/2" Track Spot LED Insert for Hypro 40 Suspension: TW 2700K-6500K, 15W, Max. 919lm - 1081lm, CRI90, 34°, DALI Dimming

GENERAL

Series: Oiko Pro

Subseries: Oiko Pro In

Partner: Prolicht

Division: Architectural

Light Distribution: Direct

PHYSICAL

Aperture Sizes - Downlights: 1"

Shape: Cylinder

Length (mm): 700

Length (in): 27 ⁹/₁₆

Width (mm): 65

Width (in): 2 ⁹/₁₆

Height (mm): 177

Height (in): 6 ¹⁵/₁₆

Weight (kg): 0.657

Fixture Finish: SSR / BKV / CWI / CRY / HAB / UFT / ITA / RUA / FTG / MYG / LOD / PUS / FRO / FUP / KIA / POP / BLS / SPG / MEY / GOH / CHC / COM / ABZ / JAG / OBR / MOS / ROR

Fixture Material: Metal

ELECTRICAL

Input Wattage Range: 10 - 19 W

Lamp Type: LED (Zhaga Standard)

Input Wattage (W): 14

Total Output Wattage (W): 12.7

Dimming: Dali Dimming

Driver Included: Yes

Driver Location: Integrated

Driver Type: Constant Current - Universal

Driver Class: Class 2

Input Voltage (V): 120 - 277

LED

Delivered Lumen Range: 500 - 1999 lm

Color Temperature (°K): 2700-6500 Tunable White

Max. Delivered Lumen (lm): 919 - 1081

CRI: >90 CRI

Lamp Life (hrs): 50000

OPTICAL

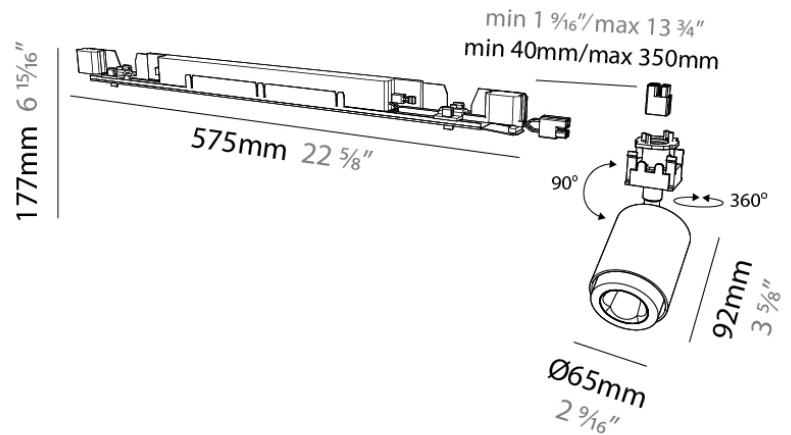
Beam Angle: 60

Adjustability: Rotational 350°; Tilt 90°

RATINGS AND CERTIFICATIONS

Certified By: Certified for North American Standards

IP rating: IP20



PROJECT	
TYPE	
NOTES	
QUANTITY	
DATE	

A3HY40-SUS-SYS COMPONENTS

A380302-

DESCRIPTION

Oiko Pro In - Ø65mm / 2-1/2" Track Spot LED Insert for Hypro 40 Suspension: 20W LED Max. 2700K / 3000K / 3500K / 4000K - CRI90 - 50° - Dimmable

GENERAL

Series: Oiko Pro
 Subseries: Oiko Pro In
 Partner: Prolicht
 Division: Architectural
 Light Distribution: Direct

PHYSICAL

Aperture Sizes - Downlights: 1"
 Shape: Cylinder
 Length (mm): 482
 Length (in): 19
 Width (mm): 65
 Width (in): 2 5/16
 Height (mm): 166
 Height (in): 6 9/16
 Weight (kg): 0.661
 Fixture Finish: SSR / BKV / CWI / CRY / HAB / UFT / ITA / RUA / FTG / MYG / LOD / PUS / FRO / FUP / KIA / POP / BLS / SPG / MEY / GOH / CHC / COM / ABZ / JAG / OBR / MOS / ROR
 Fixture Material: Metal

ELECTRICAL

Input Wattage Range: 10 - 19 W
 Lamp Type: LED (Zhaga Standard)
 Input Wattage (W): 19.9
 Total Output Wattage (W): 18.1
 Dimming: Non-Dimmable / 0-10V Dimming
 Driver Included: Yes
 Driver Location: Integrated
 Driver Type: Constant Current - Universal
 Driver Class: Class 2
 Input Voltage (V): 120 - 277
 Constant Current (mA): 500

LED

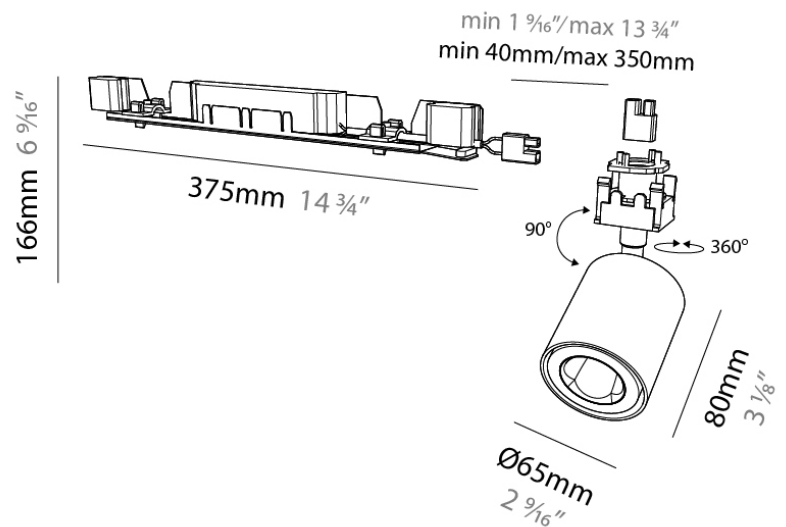
Delivered Lumen Range: 1000 - 1999 lm
 Color Temperature (°K): 2700 / 3000 / 3500 / 4000
 Max. Delivered Lumen (lm): 1547 / 1665 / 1724 / 1759
 Nominal Lumen (lm): 1905 / 2050 / 2123 / 2166
 CRI: >90 CRI
 Lamp Life (hrs): 50000

OPTICAL

Beam Angle: 50
 Adjustability: Rotational 350°; Tilt 90°

RATINGS AND CERTIFICATIONS

Certified By: Certified for North American Standards
 IP rating: IP20



PROJECT
TYPE
NOTES
QUANTITY
DATE

A3HY40-SUS-SYS COMPONENTS

A380303-

DESCRIPTION

Oiko Pro In - Ø65mm / 2-1/2" Track Spot LED Insert for Hypro 40 Suspension: TW 2700K-6500K, 15W, Max. 1008lm - 1186lm, CRI90, 52°, DALI Dimming

GENERAL

Series: Oiko Pro
 Subseries: Oiko Pro In
 Partner: Prolicht
 Division: Architectural
 Light Distribution: Direct

PHYSICAL

Aperture Sizes - Downlights: 1"
 Shape: Cylinder
 Length (mm): 700
 Length (in): 27 ⁹/₁₆"
 Width (mm): 65
 Width (in): 2 ⁹/₁₆"
 Height (mm): 166
 Height (in): 6 ⁹/₁₆"
 Weight (kg): 0.657

Fixture Finish: SSR / BKV / CWI / CRY / HAB / UFT / ITA / RUA / FTG / MYG / LOD / PUS / FRO / FUP / KIA / POP / BLS / SPG / MEY / GOH / CHC / COM / ABZ / JAG / OBR / MOS / ROR

Fixture Material: Metal

ELECTRICAL

Input Wattage Range: 10 - 19 W
 Lamp Type: LED (Zhaga Standard)
 Input Wattage (W): 14
 Total Output Wattage (W): 12.7
 Dimming: Dali Dimming
 Driver Included: Yes
 Driver Location: Integrated
 Driver Type: Constant Current - Universal
 Driver Class: Class 2
 Input Voltage (V): 120 - 277

LED

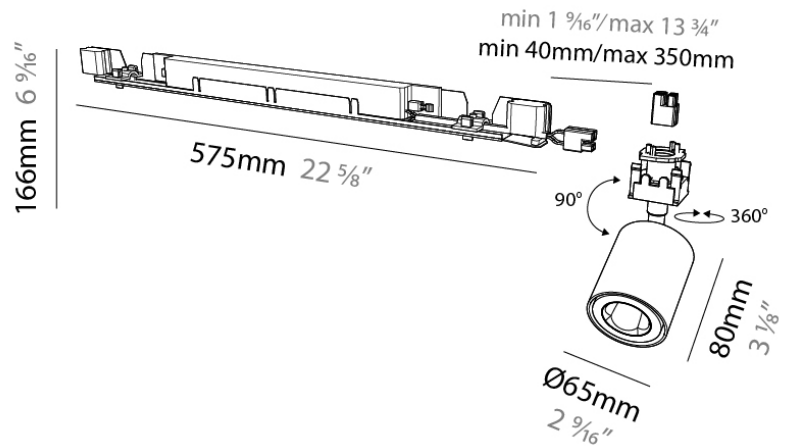
Delivered Lumen Range: 500 - 1999 lm
 Color Temperature (°K): 2700-6500 Tunable White
 Max. Delivered Lumen (lm): 1008 - 1186
 CRI: >90 CRI
 Lamp Life (hrs): 50000

OPTICAL

Beam Angle: 52
 Adjustability: Rotational 350°; Tilt 90°

RATINGS AND CERTIFICATIONS

Certified By: Certified for North American Standards
 IP rating: IP20



PROJECT
TYPE
NOTES
QUANTITY
DATE

A3HY40-SUS-SYS COMPONENTS

A380304-

DESCRIPTION

Oiko Pro In - Ø65mm / 2-1/2" Track Spot LED Insert for Hypro 40 Suspension: 20W LED Max. 2700K / 3000K / 3500K / 4000K - CRI90 - 60° - Dimmable

GENERAL

Series: Oiko Pro
 Subseries: Oiko Pro In
 Partner: Prolicht
 Division: Architectural
 Light Distribution: Direct

PHYSICAL

Aperture Sizes - Downlights: 1"
 Shape: Cylinder
 Length (mm): 482
 Length (in): 19
 Width (mm): 65
 Width (in): 2 5/16
 Height (mm): 166
 Height (in): 6 9/16
 Weight (kg): 0.661
 Fixture Finish: SSR / BKV / CWI / CRY / HAB / UFT / ITA / RUA / FTG / MYG / LOD / PUS / FRO / FUP / KIA / POP / BLS / SPG / MEY / GOH / CHC / COM / ABZ / JAG / OBR / MOS / ROR
 Fixture Material: Metal

ELECTRICAL

Input Wattage Range: 10 - 19 W
 Lamp Type: LED (Zhaga Standard)
 Input Wattage (W): 19.9
 Total Output Wattage (W): 18.1
 Dimming: Non-Dimmable / 0-10V Dimming
 Driver Included: Yes
 Driver Location: Integrated
 Driver Type: Constant Current - Universal
 Driver Class: Class 2
 Input Voltage (V): 120 - 277
 Constant Current (mA): 500

LED

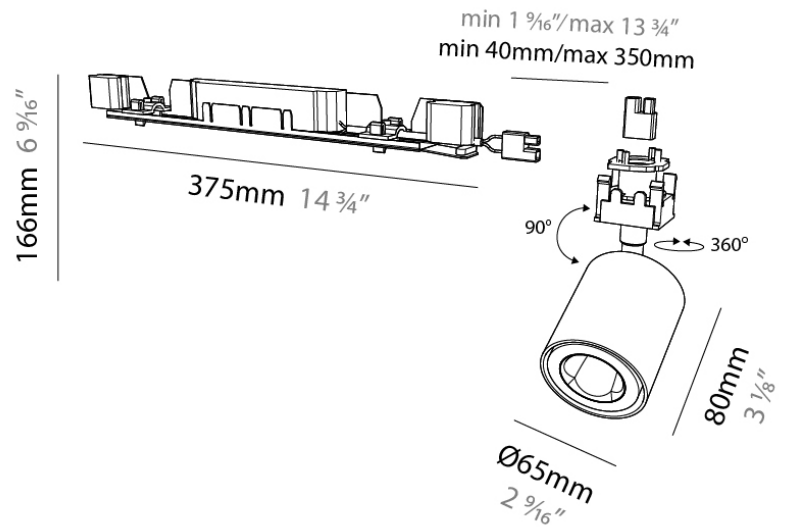
Delivered Lumen Range: 1000 - 1999 lm
 Color Temperature (°K): 2700 / 3000 / 3500 / 4000
 Max. Delivered Lumen (lm): 1699 / 1829 / 1893 / 1932
 Nominal Lumen (lm): 1905 / 1517 / 2123 / 2166
 CRI: >90 CRI
 Lamp Life (hrs): 50000

OPTICAL

Beam Angle: 50
 Adjustability: Rotational 350°; Tilt 90°

RATINGS AND CERTIFICATIONS

Certified By: Certified for North American Standards
 IP rating: IP20



A3HY40-SUS-SYS COMPONENTS

A380305-

DESCRIPTION

Oiko Pro In - Ø65mm / 2-1/2" Track Spot LED Insert for Hypro 40 Suspension: TW 2700K-6500K, 15W, Max. 1175lm - 1381lm, CRI90, 68°, DALI Dimming

GENERAL

Series: Oiko Pro
 Subseries: Oiko Pro In
 Partner: Prolicht
 Division: Architectural
 Light Distribution: Direct

PHYSICAL

Aperture Sizes - Downlights: 1"
 Shape: Cylinder
 Length (mm): 700
 Length (in): 27 9/16
 Width (mm): 65
 Width (in): 2 9/16
 Height (mm): 166
 Height (in): 6 9/16
 Weight (kg): 0.657

Fixture Finish: SSR / BKV / CWI / CRY / HAB / UFT / ITA / RUA / FTG / MYG / LOD / PUS / FRO / FUP / KIA / POP / BLS / SPG / MEY / GOH / CHC / COM / ABZ / JAG / OBR / MOS / ROR

Fixture Material: Metal

ELECTRICAL

Input Wattage Range: 10 - 19 W
 Lamp Type: LED (Zhaga Standard)
 Input Wattage (W): 14
 Total Output Wattage (W): 12.7
 Dimming: Dali Dimming
 Driver Included: Yes
 Driver Location: Integrated
 Driver Type: Constant Current - Universal
 Driver Class: Class 2
 Input Voltage (V): 120 - 277

LED

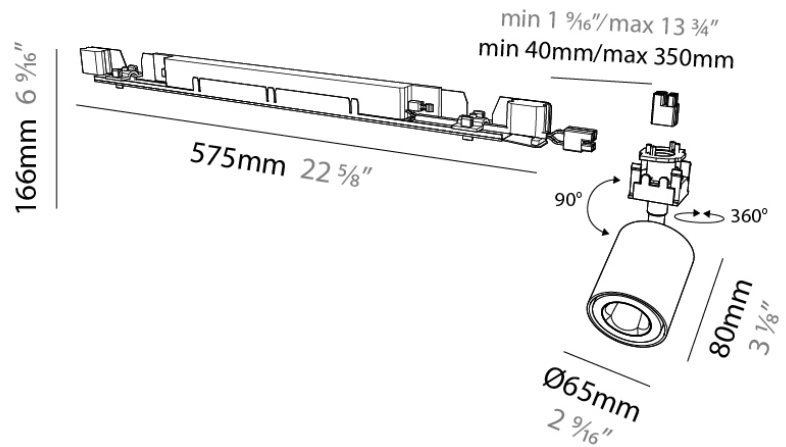
Delivered Lumen Range: 500 - 1999 lm
 Color Temperature (°K): 2700-6500 Tunable White
 Max. Delivered Lumen (lm): 1175 - 1381
 CRI: >90 CRI
 Lamp Life (hrs): 50000

OPTICAL

Beam Angle: 52
 Adjustability: Rotational 350°; Tilt 90°

RATINGS AND CERTIFICATIONS

Certified By: Certified for North American Standards
 IP rating: IP20



A3HY40-SUS-SYS COMPONENTS

A380306-

DESCRIPTION

Oiko Pro In Wallwash - Ø65mm / 2-1/2" Track Spot LED Insert for Hypro 40 Suspension: 20W LED Max. 2700K / 3000K / 3500K / 4000K - CRI90 - Dimmable

GENERAL

Series: Hypro
 Subseries: Hypro 40
 Partner: Prolicht
 Division: Architectural
 Product Type: Wallwash
 Light Distribution: Direct

PHYSICAL

Shape: Cylinder
 Length (mm): 482
 Length (in): 19
 Width (mm): 65
 Width (in): 2 9/16
 Height (mm): 166
 Height (in): 6 9/16
 Weight (kg): 0.661
 Fixture Finish: SSR / BKV / CWI / CRY / HAB / UFT / ITA / RUA / FTG / MYG / LOD / PUS / FRO / FUP / KIA / POP / BLS / SPG / MEY / GOH / CHC / COM / ABZ / JAG / OBR / MOS / ROR
 Fixture Material: Metal

ELECTRICAL

Input Wattage Range: 10 - 19 W
 Lamp Type: LED (Zhaga Standard)
 Input Wattage (W): 19.9
 Total Output Wattage (W): 18.1
 Dimming: Non-Dimmable / 0-10V Dimming
 Driver Included: Yes
 Driver Location: Integrated
 Driver Type: Constant Current - Universal
 Driver Class: Class 2
 Input Voltage (V): 120 - 277
 Constant Current (MA): 500
 Upon Request: DALI dimming

LED

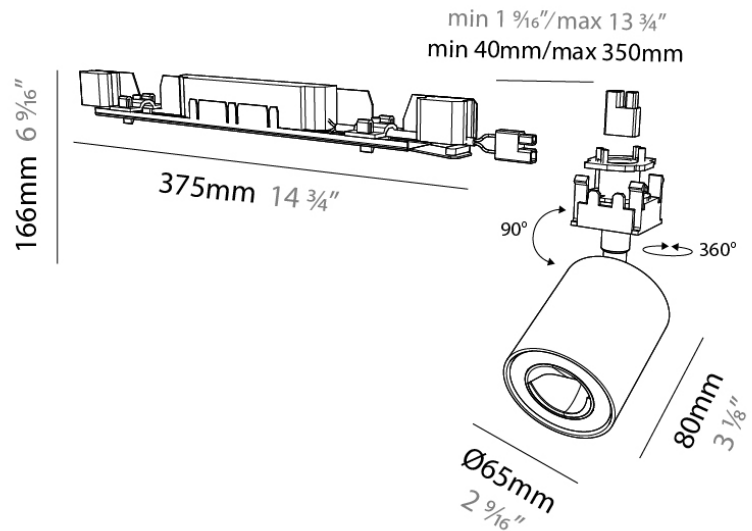
Delivered Lumen Range: 1000 - 1999 lm
 Color Temperature (°K): 2700 / 3000 / 3500 / 4000
 Max. Delivered Lumen (lm): 1516 / 1632 / 1690 / 1724
 CRI: >90 CRI
 Lamp Life (hrs): 50000

OPTICAL

Adjustability: Rotational 350°; Tilt 90°

RATINGS AND CERTIFICATIONS

Certified By: Certified for North American Standards
 IP rating: IP20



PROJECT	
TYPE	
NOTES	
QUANTITY	
DATE	

A3HY40-SUS-SYS COMPONENTS

A380307-

DESCRIPTION

Oiko Pro In Wallwash - Ø65mm / 2-1/2" Track Spot LED Insert for Hypro 40 Suspension: TW 2700K-6500K, 15W, Max. 988lm - 1162lm, CRI90, DALI Dimming

GENERAL

Series: Oiko Pro
 Subseries: Oiko Pro In
 Partner: Prolicht
 Division: Architectural
 Light Distribution: Direct

PHYSICAL

Aperture Sizes - Downlights: 1"
 Shape: Cylinder
 Length (mm): 700
 Length (in): 27 9/16
 Width (mm): 65
 Width (in): 2 9/16
 Height (mm): 166
 Height (in): 6 9/16
 Weight (kg): 0.657

Fixture Finish: SSR / BKV / CWI / CRY / HAB / UFT / ITA / RUA / FTG / MYG / LOD / PUS / FRO / FUP / KIA / POP / BLS / SPG / MEY / GOH / CHC / COM / ABZ / JAG / OBR / MOS / ROR

Fixture Material: Metal

ELECTRICAL

Input Wattage Range: 10 - 19 W
 Lamp Type: LED (Zhaga Standard)
 Input Wattage (W): 14
 Total Output Wattage (W): 12.7
 Dimming: Dali Dimming
 Driver Included: Yes
 Driver Location: Integrated
 Driver Type: Constant Current - Universal
 Driver Class: Class 2
 Input Voltage (V): 120 - 277

LED

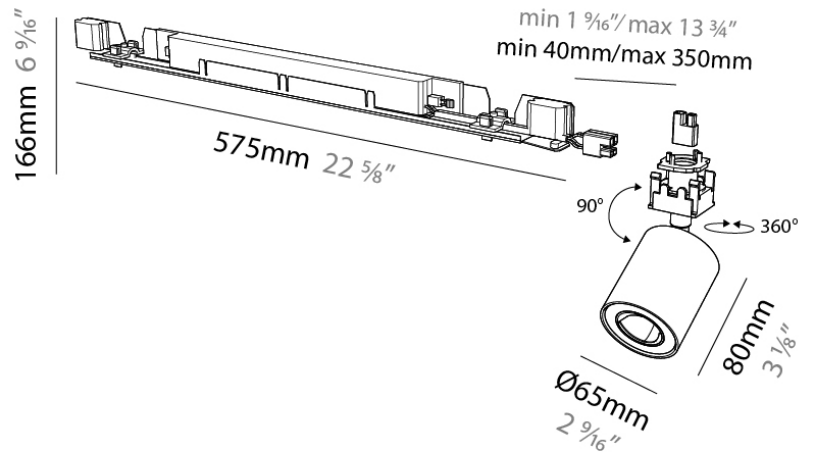
Delivered Lumen Range: 500 - 1999 lm
 Color Temperature (°K): 2700-6500 Tunable White
 Max. Delivered Lumen (lm): 1175 - 1381
 CRI: >90 CRI
 Lamp Life (hrs): 50000

OPTICAL

Adjustability: Rotational 350°; Tilt 90°

RATINGS AND CERTIFICATIONS

Certified By: Certified for North American Standards
 IP rating: IP20



A3HY40-SUS-SYS COMPONENTS

A380308-

DESCRIPTION

Oiko Pro In - Ø65mm / 2-1/2" Track Spot LED Insert for Hypro 40 Suspension: 20W LED Max. 2700K / 3000K / 3500K / 4000K - CRI90 - 14° - Dimmable

GENERAL

Series: Oiko Pro
 Subseries: Oiko Pro In
 Partner: Prolicht
 Division: Architectural
 Light Distribution: Direct

PHYSICAL

Aperture Sizes - Downlights: 1"
 Shape: Cylinder
 Length (mm): 482
 Length (in): 19
 Width (mm): 65
 Width (in): 2 5/16
 Height (mm): 166
 Height (in): 6 9/16
 Weight (kg): 0.661
 Fixture Finish: SSR / BKV / CWI / CRY / HAB / UFT / ITA / RUA / FTG / MYG / LOD / PUS / FRO / FUP / KIA / POP / BLS / SPG / MEY / GOH / CHC / COM / ABZ / JAG / OBR / MOS / ROR
 Fixture Material: Metal

ELECTRICAL

Input Wattage Range: 20 - 29 W
 Lamp Type: LED (Zhaga Standard)
 Input Wattage (W): 20.5
 Total Output Wattage (W): 18.6
 Dimming: Non-Dimmable / 0-10V Dimming
 Driver Included: Yes
 Driver Location: Integrated
 Driver Type: Constant Current - Universal
 Driver Class: Class 2
 Input Voltage (V): 120 - 277
 Constant Current (MA): 500

LED

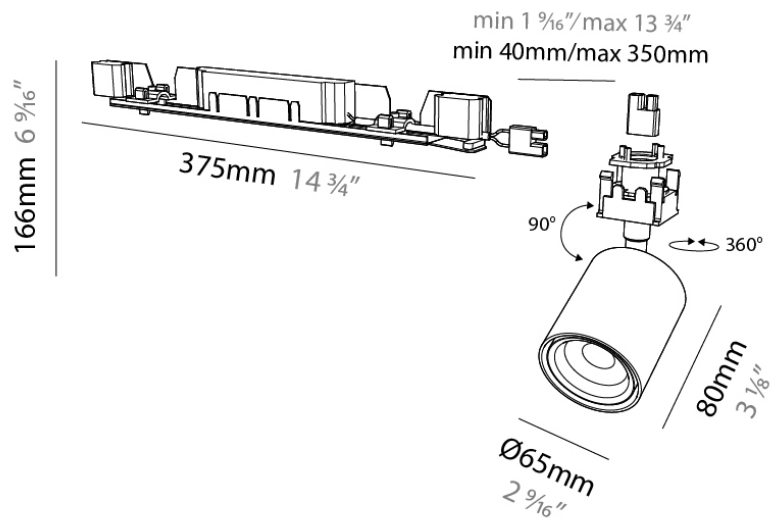
Delivered Lumen Range: 1000 - 1999 lm
 Color Temperature (°K): 2700 / 3000 / 3500 / 4000
 Max. Delivered Lumen (lm): 1278 / 1377 / 1432 / 1461
 Nominal Lumen (lm): 1668 / 1797 / 1905 / 1907
 CRI: >90 CRI
 Lamp Life (hrs): 50000

OPTICAL

Beam Angle: 14
 Adjustability: Rotational 350°; Tilt 90°

RATINGS AND CERTIFICATIONS

Certified By: Certified for North American Standards
 IP rating: IP20



PROJECT
TYPE
NOTES
QUANTITY
DATE

A3HY40-SUS-SYS COMPONENTS

A380341-

DESCRIPTION

Centriq In 65 - Hypro 40 - Suspension - Spot Insert - 65mm / 2 9/16" - 23W LED (Zhaga Standard) - 2700K / 3000K / 3500K / 4000K - Reflector: 24° / 36° / 52° - Lens Pack

GENERAL

Series: Centriq
 Subseries: Centriq In
 Partner: Prolicht
 Division: Architectural
 Product Type: Spots
 Light Distribution: Adjustable

PHYSICAL

Aperture Sizes - Downlights: 2"
 Shape: Cylinder
 Diameter (mm): 65
 Diameter (in): 2 9/16
 Length (mm): 375
 Length (in): 14 3/4
 Height (mm): 165
 Height (in): 6 1/2
 Diffuser: Lens Pack - No Lens / Opal / Linear Spread Lens / Honeycomb / Spread Lens
 Fixture Finish: SSR / BKV / CWI / CRY / HAB / UFT / ITA / RUA / FTG / MYG / LOD / PUS / FRO / FUP / KIA / POP / BLS / SPG / MEY / GOH / CHC / COM / ABZ / JAG / OBR / MOS / ROR
 Fixture Material: Aluminum

ELECTRICAL

Input Wattage Range: 20 - 29 W
 Lamp Type: LED (Zhaga Standard)
 Input Wattage (W): 23
 Total Output Wattage (W): 20.9
 Dimming: Non-Dimmable
 Driver Included: Yes
 Driver Location: Integrated
 Driver Type: Constant Current - Universal
 Driver Class: Class 2
 Input Voltage (V): 120 - 277
 Upon Request: 0 - 10V Dimming

LED

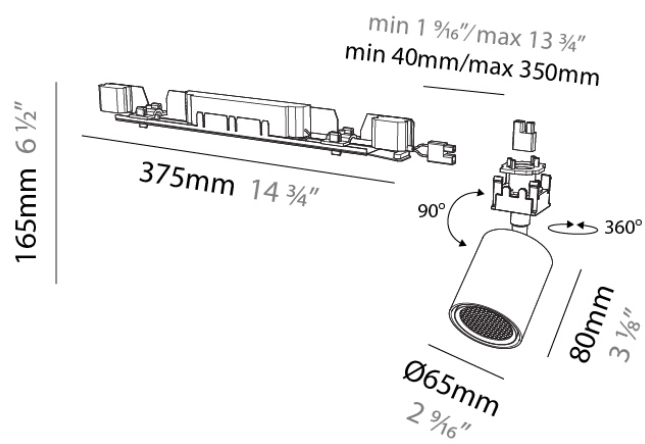
Delivered Lumen Range: 1000 - 2999 lm
 Color Temperature (°K): 2700 / 3000 / 3500 / 4000
 Max. Delivered Lumen (lm): 1946 / 2026 / 2167 / 2211
 Nominal Lumen (lm): 2429 / 2529 / 2706 / 2761
 CRI: >90 CRI
 Lamp Life (hrs): 50000

OPTICAL

Reflector: 24 / 36 / 52
 Adjustability: Rotational 360°; Tilt 90°

RATINGS AND CERTIFICATIONS

Certified By: Certified for North American Standards
 IP rating: IP20



A3HY40-SUS-SYS COMPONENTS

A380342-

DESCRIPTION

Centriq In 65 - Hypro 40 - Suspension - Spot Insert - 65mm / 2 9/16" - 15W LED (Zhaga Standard) - Tunable White (2700K - 6500K) - Max 1269lm - Reflector: 18° / 34° / 54° - Lens Pack

GENERAL

Series: Centriq
 Subseries: Centriq In
 Partner: Prolicht
 Division: Architectural
 Product Type: Spots
 Light Distribution: Adjustable

PHYSICAL

Aperture Sizes - Downlights: 2"
 Shape: Cylinder
 Diameter (mm): 65
 Diameter (in): 2 9/16
 Length (mm): 575
 Length (in): 22 5/8
 Height (mm): 165
 Height (in): 6 1/2
 Diffuser: Lens Pack - No Lens / Opal / Linear Spread Lens / Honeycomb / Spread Lens
 Fixture Finish: SSR / BKV / CWI / CRY / HAB / UFT / ITA / RUA / FTG / MYG / LOD / PUS / FRO / FUP / KIA / POP / BLS / SPG / MEY / GOH / CHC / COM / ABZ / JAG / OBR / MOS / ROR
 Fixture Material: Aluminum

ELECTRICAL

Input Wattage Range: 10 - 19 W
 Lamp Type: LED (Zhaga Standard)
 Input Wattage (W): 14
 Total Output Wattage (W): 12.7
 Dimming: Non-Dimmable
 Driver Included: Yes
 Driver Location: Integrated
 Driver Type: Constant Current - Universal
 Driver Class: Class 2
 Input Voltage (V): 120 - 277
 Upon Request: 0 - 10V Dimming

LED

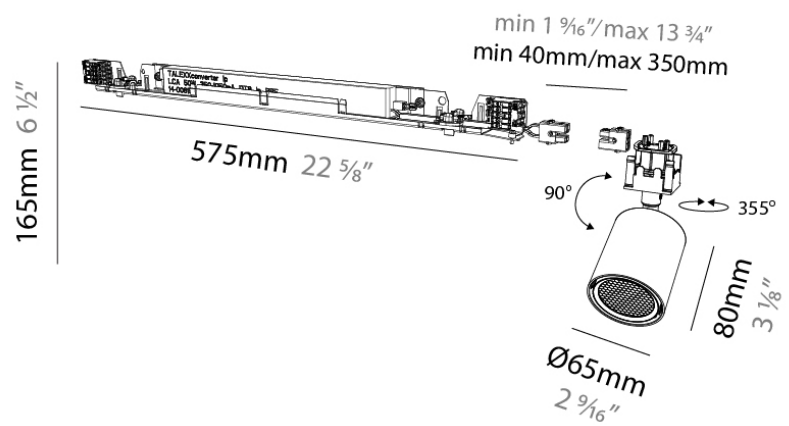
Delivered Lumen Range: 1000 - 1999 lm
 Color Temperature (°K): 2700-6500 Tunable White
 Max. Delivered Lumen (lm): 1079 - 1269
 CRI: >90 CRI
 Lamp Life (hrs): 50000

OPTICAL

Reflector: 18 / 34 / 54
 Adjustability: Rotational 360°; Tilt 90°

RATINGS AND CERTIFICATIONS

Certified By: Certified for North American Standards
 IP rating: IP20



PROJECT
TYPE
NOTES
QUANTITY
DATE

A3HY40-SUS-SYS COMPONENTS

A380343-

DESCRIPTION

Centriq In 65 Flex - Hypro 40 - Suspension - Spot Insert - 65mm / 2 9/16" - 21W LED (Zhaga Standard) - 2700K / 3000K / 3500K / 4000K - Reflector: 14° / 30° / 44°

GENERAL

Series: Centriq
 Subseries: Centriq In Flex
 Partner: Prolicht
 Division: Architectural
 Product Type: Spots
 Light Distribution: Adjustable

PHYSICAL

Aperture Sizes - Downlights: 2"
 Shape: Cylinder
 Diameter (mm): 65
 Diameter (in): 2 9/16
 Length (mm): 375
 Length (in): 14 3/4
 Height (mm): 170
 Height (in): 6 11/16
 Fixture Finish: SSR / BKV / CWI / CRY / HAB / UFT / ITA / RUA / FTG / MYG / LOD / PUS / FRO / FUP / KIA / POP / BLS / SPG / MEY / GOH / CHC / COM / ABZ / JAG / OBR / MOS / ROR
 Fixture Material: Aluminum

ELECTRICAL

Input Wattage Range: 20 - 29 W
 Lamp Type: LED (Zhaga Standard)
 Input Wattage (W): 20
 Total Output Wattage (W): 18.1
 Dimming: Non-Dimmable
 Driver Included: Yes
 Driver Location: Integrated
 Driver Type: Constant Current - Universal
 Driver Class: Class 2
 Input Voltage (V): 120 - 277
 Upon Request: 0 - 10V Dimming

LED

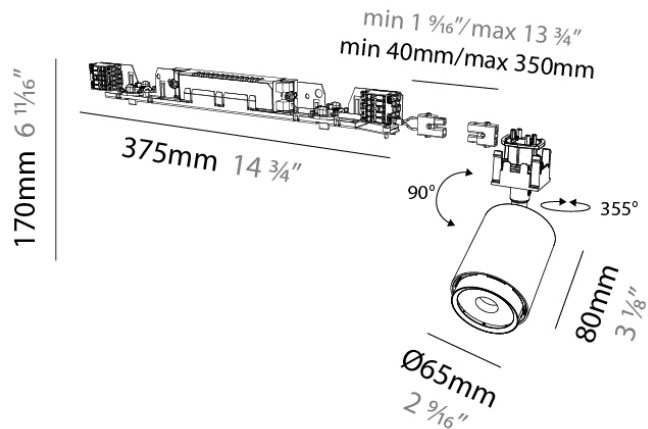
Delivered Lumen Range: 1000 - 1999 lm
 Color Temperature (°K): 2700 / 3000 / 3500 / 4000
 Max. Delivered Lumen (lm): 1127 / 1214 / 1262 / 1288
 Nominal Lumen (lm): 1688 / 1797 / 1869 / 1907
 CRI: >90 CRI
 Lamp Life (hrs): 50000

OPTICAL

Reflector°: 14 / 30 / 44
 Adjustability: Rotational 360°; Tilt 90°

RATINGS AND CERTIFICATIONS

Certified By: Certified for North American Standards
 IP rating: IP20



A3HY40-SUS-SYS COMPONENTS

A380344-

DESCRIPTION

Centriq In 65 - Hypro 40 - Suspension - Spot Insert - 65mm / 2 9/16" - 23W LED (Zhaga Standard) - 2700K / 3000K / 3500K / 4000K - Lens Pack

GENERAL

Series: Centriq
 Subseries: Centriq In
 Partner: Prolicht
 Division: Architectural
 Product Type: Spots
 Light Distribution: Adjustable

PHYSICAL

Aperture Sizes - Downlights: 2"
 Shape: Cylinder
 Diameter (mm): 65
 Diameter (in): 2 9/16
 Length (mm): 375
 Length (in): 14 3/4
 Height (mm): 165
 Height (in): 6 1/2
 Diffuser: Lens Pack - No Lens / Opal / Linear Spread Lens / Honeycomb / Spread Lens
 Fixture Finish: SSR / BKV / CWI / CRY / HAB / UFT / ITA / RUA / FTG / MYG / LOD / PUS / FRO / FUP / KIA / POP / BLS / SPG / MEY / GOH / CHC / COM / ABZ / JAG / OBR / MOS / ROR
 Fixture Material: Aluminum

ELECTRICAL

Input Wattage Range: 20 - 29 W
 Lamp Type: LED (Zhaga Standard)
 Input Wattage (W): 20
 Total Output Wattage (W): 18.1
 Dimming: Non-Dimmable
 Driver Included: Yes
 Driver Location: Integrated
 Driver Type: Constant Current - Universal
 Driver Class: Class 2
 Input Voltage (V): 120 - 277
 Upon Request: 0 - 10V Dimming

LED

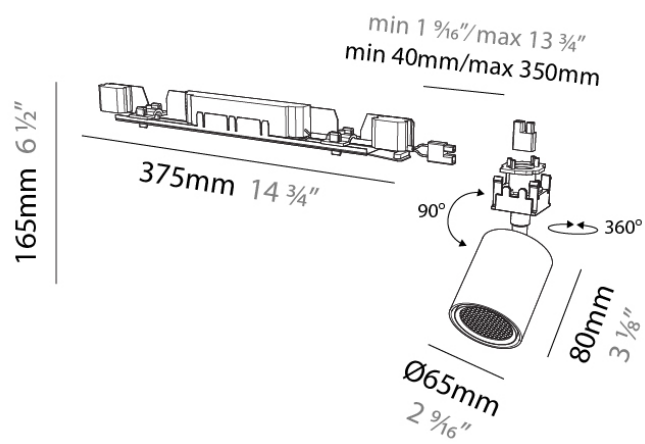
Delivered Lumen Range: 1000 - 1999 lm
 Color Temperature (°K): 2700 / 3000 / 3500 / 4000
 Max. Delivered Lumen (lm): 1360 / 1465 / 1523 / 1554
 Nominal Lumen (lm): 1668 / 1797 / 1869 / 1907
 CRI: >90 CRI
 Lamp Life (hrs): 50000

OPTICAL

Reflector: 12
 Adjustability: Rotational 360°; Tilt 90°

RATINGS AND CERTIFICATIONS

Certified By: Certified for North American Standards
 IP rating: IP20



PROJECT
TYPE
NOTES
QUANTITY
DATE

A3HY40-SUS-SYS COMPONENTS

A380345-

DESCRIPTION

Centriq In 65 - Hypro 40 - Suspension - Spot Insert - 65mm / 2 9/16" - 9W LED (Zhaga Standard) - Tunable White (2700K - 6500K) - Max 569lm - Lens Pack

GENERAL

Series: Centriq
 Subseries: Centriq In
 Partner: Prolicht
 Division: Architectural
 Product Type: Spots
 Light Distribution: Adjustable

PHYSICAL

Aperture Sizes - Downlights: 2"
 Shape: Cylinder
 Diameter (mm): 65
 Diameter (in): 2 9/16
 Length (mm): 575
 Length (in): 22 5/8
 Height (mm): 165
 Height (in): 6 1/2
 Diffuser: Lens Pack - No Lens / Opal / Linear Spread Lens / Honeycomb / Spread Lens
 Fixture Finish: SSR / BKV / CWI / CRY / HAB / UFT / ITA / RUA / FTG / MYG / LOD / PUS / FRO / FUP / KIA / POP / BLS / SPG / MEY / GOH / CHC / COM / ABZ / JAG / OBR / MOS / ROR
 Fixture Material: Aluminum

ELECTRICAL

Input Wattage Range: 1 - 9 W
 Lamp Type: LED (Zhaga Standard)
 Input Wattage (W): 8
 Total Output Wattage (W): 7.3
 Dimming: Non-Dimmable
 Driver Included: Yes
 Driver Location: Integrated
 Driver Type: Constant Current - Universal
 Driver Class: Class 2
 Input Voltage (V): 120 - 277
 Upon Request: 0 - 10V Dimming

LED

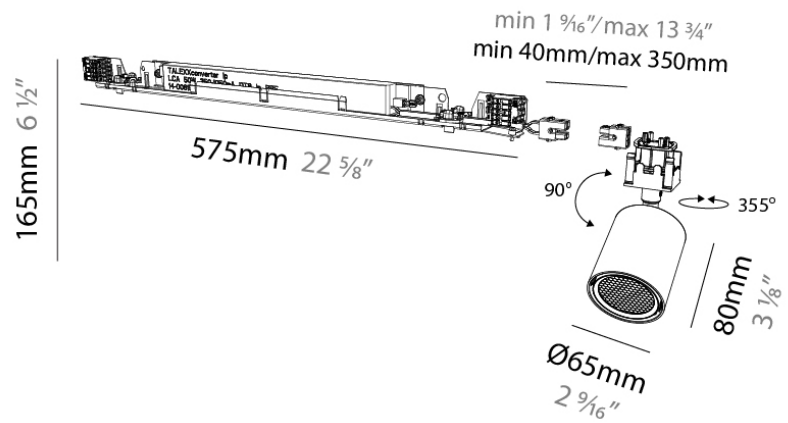
Delivered Lumen Range: 500 - 999 lm
 Color Temperature (°K): 2700-6500 Tunable White
 Max. Delivered Lumen (lm): 490 - 564
 CRI: >90 CRI
 Lamp Life (hrs): 50000

OPTICAL

Reflector: 12
 Adjustability: Rotational 360°; Tilt 90°

RATINGS AND CERTIFICATIONS

Certified By: Certified for North American Standards
 IP rating: IP20



A3HY40-SUS-SYS COMPONENTS

A380346-

DESCRIPTION

Centriq IN 83 - Track Spot 83mm for Hypro 40 Suspension LED: 36W, Max. 3450lm, CRI: > 90, Dimmable - 2700K / 3000K / 3500K / 4000K

GENERAL

Series: Centriq

Subseries: Centriq In

Partner: Prolicht

Division: Architectural

Product Type: Spots

Mounting Location: Ceiling

Light Distribution: Adjustable

PHYSICAL

Aperture Sizes - Downlights: 2"

Shape: Cylinder

Diameter (mm): 83

Diameter (in): 3 ¼"

Length (mm): 375

Length (in): 14 ¾"

Height (mm): 190

Height (in): 7 ½"

Weight (kg): 0.965

Diffuser: Lens Pack - Spread Lens / Linear Spread Lens / Honeycomb Louver

Fixture Finish: SSR / BKV / CWI / CRY / HAB / UFT / ITA / RUA / FTG / MYG / LOD / PUS / FRO / FUP / KIA / POP / BLS / SPG / MEY / GOH / CHC / COM / ABZ / JAG / OBR / MOS / ROR

Fixture Material: Aluminum

ELECTRICAL

Input Wattage Range: 30 - 49 W

Lamp Type: LED (Zhaga Standard)

Input Wattage (W): 36

Total Output Wattage (W): 32.7

Dimming: Non-Dimmable

Driver Included: Yes

Driver Location: Integrated

Driver Type: Constant Current - Universal

Driver Class: Class 2

Input Voltage (V): 120 - 277

Constant Current (mA): 900

Upon Request: 0 - 10V Dimming

LED

Delivered Lumen Range: 3000 - 4999 lm

Number of LEDs: 1

Color Temperature (°K): 2700 / 3000 / 3500 / 4000

Max. Delivered Lumen (lm): 3030 / 3156 / 3381 / 3450

Nominal Lumen (lm): 3471 / 3615 / 3873 / 3952

CRI: >90 CRI

Lamp Life (hrs): 50000

OPTICAL

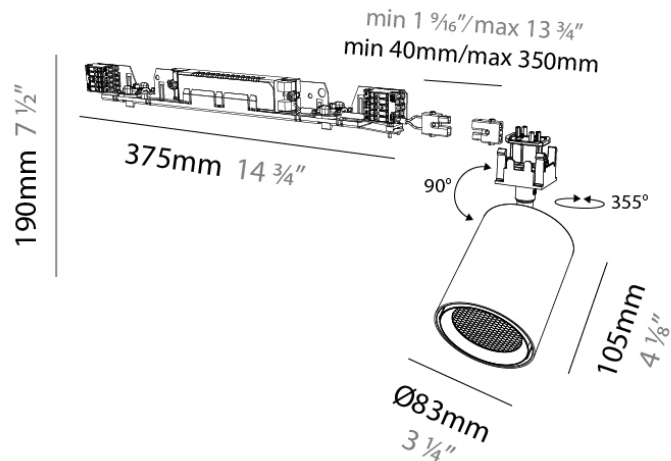
Reflector°: 20 / 32 / 54

Adjustability: Rotational 360°; Tilt 90°

RATINGS AND CERTIFICATIONS

Certified By: Certified for North American Standards

IP rating: IP20



PROJECT
TYPE
NOTES
QUANTITY
DATE

A3HY40-SUS-SYS COMPONENTS

A380347-

DESCRIPTION

Centriq In 83 - Hypro 40 - Suspension - Spot Insert - 83mm / 3 1/4" - 36W LED (Zhaga Standard) - Tunable White (2700K - 6500K) - Max 2907lm - Reflector: 24° / 36° / 52° - Lens Pack

GENERAL

Series: Centriq
 Subseries: Centriq In
 Partner: Prolicht
 Division: Architectural
 Product Type: Spots
 Light Distribution: Adjustable

PHYSICAL

Aperture Sizes - Downlights: 2"
 Shape: Cylinder
 Diameter (mm): 83
 Diameter (in): 3 1/4
 Length (mm): 575
 Length (in): 22 5/8
 Height (mm): 190
 Height (in): 7 1/2
 Diffuser: Lens Pack - No Lens / Opal / Linear Spread Lens / Honeycomb / Spread Lens
 Fixture Finish: SSR / BKV / CWI / CRY / HAB / UFT / ITA / RUA / FTG / MYG / LOD / PUS / FRO / FUP / KIA / POP / BLS / SPG / MEY / GOH / CHC / COM / ABZ / JAG / OBR / MOS / ROR
 Fixture Material: Aluminum

ELECTRICAL

Input Wattage Range: 30 - 49 W
 Lamp Type: LED (Zhaga Standard)
 Input Wattage (W): 35
 Total Output Wattage (W): 31.8
 Dimming: Non-Dimmable
 Driver Included: Yes
 Driver Location: Integrated
 Driver Type: Constant Current - Universal
 Driver Class: Class 2
 Input Voltage (V): 120 - 277
 Constant Current (mA): 900
 Upon Request: 0 - 10V Dimming

LED

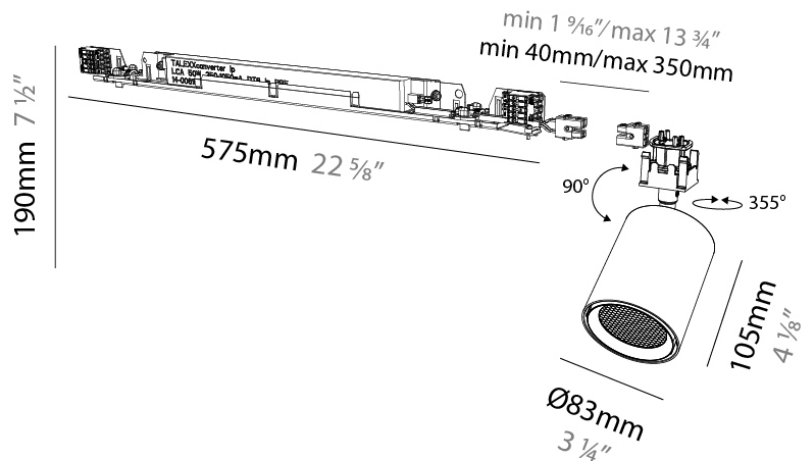
Delivered Lumen Range: 2000 - 2999 lm
 Color Temperature (°K): 2700-6500 Tunable White
 Max. Delivered Lumen (lm): 2568 - 2907
 CRI: >90 CRI
 Lamp Life (hrs): 50000

OPTICAL

Reflector: 24 / 36 / 52
 Adjustability: Rotational 360°; Tilt 90°

RATINGS AND CERTIFICATIONS

Certified By: Certified for North American Standards
 IP rating: IP20



PROJECT	
TYPE	
NOTES	
QUANTITY	
DATE	

A3HY40-SUS-SYS COMPONENTS

A380348-

DESCRIPTION

Centriq IN 83 Flex - Track Spot 83mm for Hypro 40 Suspension
 LED: 20W, Max., 2700K / 3000K / 3500K / 4000K, CRI: > 90,
 Dimmable - Reflector: 14° - 44°

GENERAL

Series: Centriq
 Subseries: Centriq In Flex
 Partner: Prolicht
 Division: Architectural
 Product Type: Spots
 Light Distribution: Adjustable

PHYSICAL

Aperture Sizes - Downlights: 2"
 Shape: Cylinder
 Diameter (mm): 83
 Diameter (in): 3 ¼
 Length (mm): 375
 Length (in): 14 ¾
 Height (mm): 190
 Height (in): 7 ½
 Weight (kg): 0.982
 Fixture Finish: SSR / BKV / CWI / CRY / HAB / UFT / ITA / RUA / FTG / MYG / LOD / PUS / FRO / FUP / KIA / POP / BLS / SPG / MEY / GOH / CHC / COM / ABZ / JAG / OBR / MOS / ROR
 Fixture Material: Aluminum

ELECTRICAL

Input Wattage Range: 10 - 19 W
 Lamp Type: LED (Zhaga Standard)
 Input Wattage (W): 20
 Total Output Wattage (W): 18.1
 Dimming: Non-Dimmable
 Driver Included: Yes
 Driver Location: Integrated
 Driver Type: Constant Current - Universal
 Driver Class: Class 2
 Input Voltage (V): 120 - 277
 Upon Request: 0 - 10V Dimming

LED

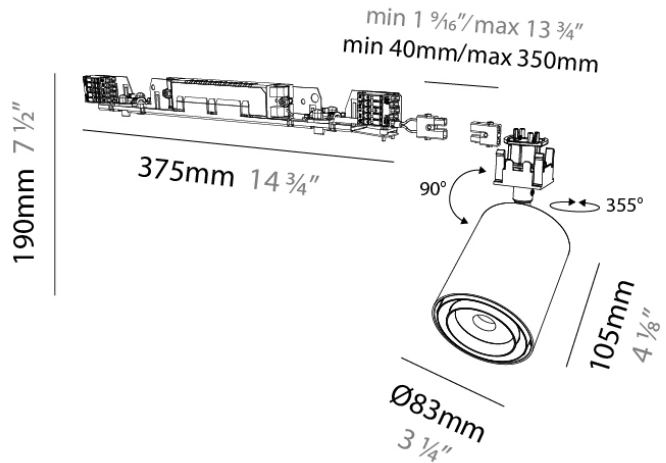
Delivered Lumen Range: 1000 - 2999 lm
 Number of LEDs: 1
 Color Temperature (°K): 2700 / 3000 / 3500 / 4000
 Max. Delivered Lumen (lm): 1205 / 1298 / 1349 / 1377
 Nominal Lumen (lm): 1668 / 1797 / 1869 / 1907
 CRI: >90 CRI
 Lamp Life (hrs): 50000

OPTICAL

Reflector°: 14 / 30 / 44
 Adjustability: Rotational 360°; Tilt 90°

RATINGS AND CERTIFICATIONS

Certified By: Certified for North American Standards
 IP rating: IP20



A3HY40-SUS-SYS COMPONENTS

A380349-

DESCRIPTION

Centriq In 83 Flex - Hypro 40 - Suspension - Spot Insert - 83mm / 3 1/4" - 8W LED (Zhaga Standard) - Tunable White (2700K - 6500K) - Max 479lm - Reflector: 14° / 30° / 44°

GENERAL

Series: Centriq
 Subseries: Centriq In Flex
 Partner: Prolicht
 Division: Architectural
 Product Type: Spots
 Light Distribution: Adjustable

PHYSICAL

Aperture Sizes - Downlights: 2"
 Shape: Cylinder
 Diameter (mm): 83
 Diameter (in): 3 1/4
 Length (mm): 575
 Length (in): 22 5/8
 Height (mm): 190
 Height (in): 7 1/2
 Fixture Finish: SSR / BKV / CWI / CRY / HAB / UFT / ITA / RUA / FTG / MYG / LOD / PUS / FRO / FUP / KIA / POP / BLS / SPG / MEY / GOH / CHC / COM / ABZ / JAG / OBR / MOS / ROR
 Fixture Material: Aluminum

ELECTRICAL

Input Wattage Range: 1 - 9 W
 Lamp Type: LED (Zhaga Standard)
 Input Wattage (W): 8
 Total Output Wattage (W): 7.3
 Dimming: Non-Dimmable
 Driver Included: Yes
 Driver Location: Integrated
 Driver Type: Constant Current - Universal
 Driver Class: Class 2
 Input Voltage (V): 120 - 277
 Upon Request: 0 - 10V Dimming

LED

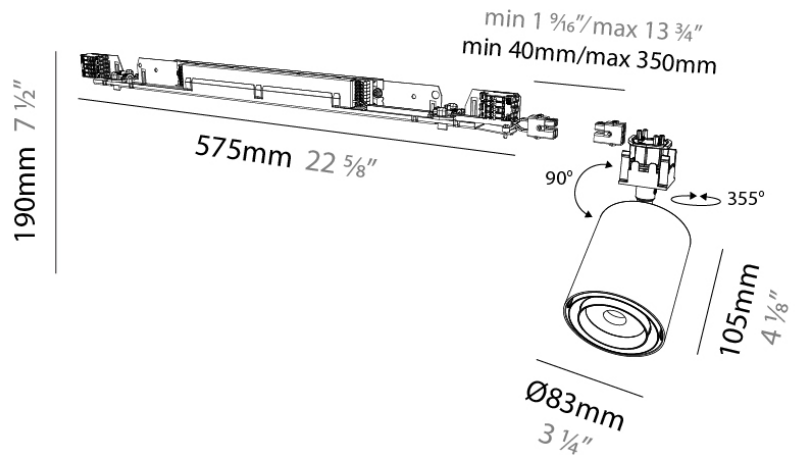
Delivered Lumen Range: 100 - 499 lm
 Color Temperature (°K): 2700-6500 Tunable White
 Max. Delivered Lumen (lm): 416 - 479
 CRI: >90 CRI
 Lamp Life (hrs): 50000

OPTICAL

Reflector°: 14 / 30 / 44
 Adjustability: Rotational 360°; Tilt 90°

RATINGS AND CERTIFICATIONS

Certified By: Certified for North American Standards
 IP rating: IP20



PROJECT
TYPE
NOTES
QUANTITY
DATE

A3HY40-SUS-SYS COMPONENTS

A380350-

DESCRIPTION

Centriq In 83 - Hypro 40 - Suspension - Spot Insert - 83mm / 3 1/4" - 36W LED (Zhaga Standard) - 2700K / 3000K / 3500K / 4000K - Reflector: 12° - Lens Pack

GENERAL

Series: Centriq
 Subseries: Centriq In
 Partner: Prolicht
 Division: Architectural
 Product Type: Spots
 Light Distribution: Adjustable

PHYSICAL

Aperture Sizes - Downlights: 2"
 Shape: Cylinder
 Diameter (mm): 83
 Diameter (in): 3 1/4
 Length (mm): 375
 Length (in): 14 3/4
 Height (mm): 190
 Height (in): 7 1/2
 Diffuser: Lens Pack - No Lens / Opal / Linear Spread Lens / Honeycomb / Spread Lens
 Fixture Finish: SSR / BKV / CWI / CRY / HAB / UFT / ITA / RUA / FTG / MYG / LOD / PUS / FRO / FUP / KIA / POP / BLS / SPG / MEY / GOH / CHC / COM / ABZ / JAG / OBR / MOS / ROR
 Fixture Material: Aluminum

ELECTRICAL

Input Wattage Range: 20 - 29 W
 Lamp Type: LED (Zhaga Standard)
 Input Wattage (W): 26
 Total Output Wattage (W): 23.7
 Dimming: Non-Dimmable
 Driver Included: Yes
 Driver Location: Integrated
 Driver Type: Constant Current - Universal
 Driver Class: Class 2
 Input Voltage (V): 120 - 277
 Upon Request: 0 - 10V Dimming

LED

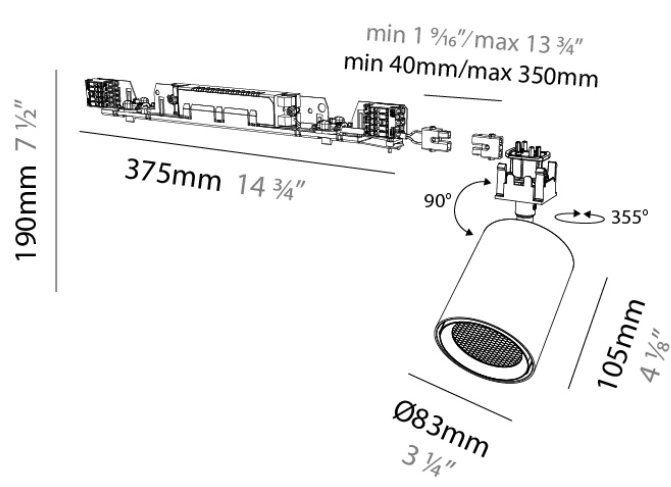
Delivered Lumen Range: 2000 - 3999 lm
 Color Temperature (°K): 2700 / 3000 / 3500 / 4000
 Max. Delivered Lumen (lm): 2923 / 3044 / 3261 / 3328
 Nominal Lumen (lm): 3471 / 3615 / 3873 / 3952
 CRI: >90 CRI
 Lamp Life (hrs): 50000

OPTICAL

Reflector: 12

RATINGS AND CERTIFICATIONS

Certified By: Certified for North American Standards
 IP rating: IP20



PROJECT
TYPE
NOTES
QUANTITY
DATE

A3HY40-SUS-SYS COMPONENTS

A380351-

DESCRIPTION

Centriq In 83 - Hypro 40 - Suspension - Spot Insert - 83mm / 3 1/4" - 9W LED (Zhaga Standard) - Tunable White (2700K - 6500K) - Max 569lm - Reflector: 12° - Lens Pack

GENERAL

Series: Centriq
 Subseries: Centriq In
 Partner: Prolicht
 Division: Architectural
 Product Type: Spots
 Light Distribution: Adjustable

PHYSICAL

Aperture Sizes - Downlights: 2"
 Shape: Cylinder
 Diameter (mm): 83
 Diameter (in): 3 1/4
 Length (mm): 575
 Length (in): 22 5/8
 Height (mm): 190
 Height (in): 7 1/2
 Diffuser: Centriq In 83 - Hypro 40 - Suspension
 Fixture Finish: SSR / BKV / CWI / CRY / HAB / UFT / ITA / RUA / FTG / MYG / LOD / PUS / FRO / FUP / KIA / POP / BLS / SPG / MEY / GOH / CHC / COM / ABZ / JAG / OBR / MOS / ROR
 Fixture Material: Aluminum

ELECTRICAL

Input Wattage Range: 1 - 9 W
 Lamp Type: LED (Zhaga Standard)
 Input Wattage (W): 8
 Total Output Wattage (W): 7.3
 Dimming: Non-Dimmable
 Driver Included: Yes
 Driver Location: Integrated
 Driver Type: Constant Current - Universal
 Driver Class: Class 2
 Input Voltage (V): 120 - 277
 Upon Request: 0 - 10V Dimming

LED

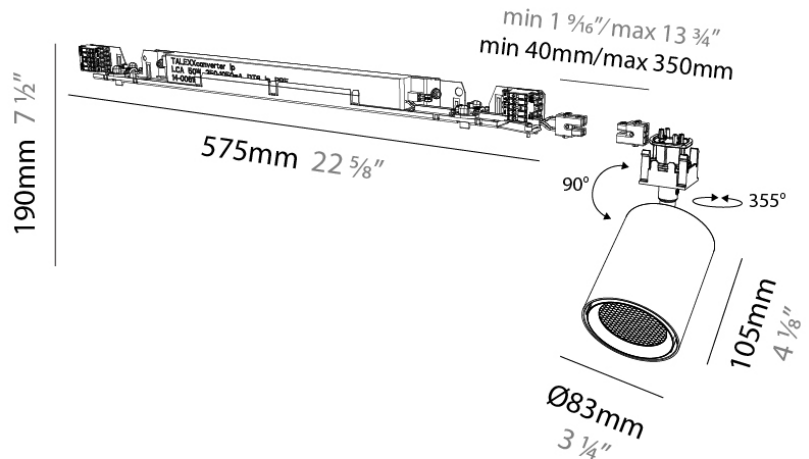
Delivered Lumen Range: 500 - 999 lm
 Color Temperature (°K): 2700-6500 Tunable White
 Max. Delivered Lumen (lm): 494 - 569
 CRI: >90 CRI
 Lamp Life (hrs): 50000

OPTICAL

Reflector°: 12

RATINGS AND CERTIFICATIONS

Certified By: Certified for North American Standards
 IP rating: IP20



A3HY40-SUS-SYS COMPONENTS

PROJECT
TYPE
NOTES
QUANTITY
DATE

A380399-

DESCRIPTION
 Hangover Plug Micro Dot - Insert for Hypro 40 Suspension
 Ø40mm / 1 9/16" x 150mm / 5 7/8" - LED 6W Max. - 2700K /
 3000K / 3500K / 4000K - CRI90 - Non-Dimming - Optic: 32° / 58°

GENERAL
 Series: Hangover
 Partner: Prolicht
 Division: Architectural
 Light Distribution: Direct

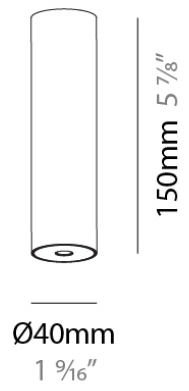
PHYSICAL
 Aperture Sizes - Downlights: 1"
 Shape: Cylinder
 Diameter (mm): 40
 Diameter (in): 1 9/16
 Height (mm): 150
 Height (in): 5 7/8
 Fixture Finish: SSR / BKV / CWI / CRY / HAB / UFT / ITA / RUA / FTG /
 MYG / LOD / PUS / FRO / FUP / KIA / POP / BLS / SPG / MEY / GOH /
 CHC / COM / ABZ / JAG / OBR / MOS / ROR
 Fixture Material: Aluminum

ELECTRICAL
 Input Wattage Range: 1 - 9 W
 Lamp Type: LED (Zhaga Standard)
 Input Wattage (W): 6
 Total Output Wattage (W): 5.4
 Dimming: Non-Dimmable / 0-10V Dimming
 Driver Included: No
 Driver Location: Integrated
 Driver Type: Constant Current - Universal
 Driver Class: Class 2
 Input Voltage (V): 120 - 277
 Constant Current (MA): 500

LED
 Delivered Lumen Range: 100 - 499 lm
 Color Temperature (°K): 2700 / 3000 / 3500 / 4000
 Max. Delivered Lumen (lm): 310 / 328 / 349 / 356
 Nominal Lumen (lm): 461 / 487 / 517 / 528
 CRI: >90 CRI
 Lamp Life (hrs): 50000

OPTICAL
 Optic°: 32 / 58

RATINGS AND CERTIFICATIONS
 Certified By: Certified for North American Standards
 IP rating: IP20



PROJECT
TYPE
NOTES
QUANTITY
DATE

A3HY40-SUS-SYS COMPONENTS

A380401-

DESCRIPTION

Hangover Plug Micro Dot - Insert for Hypro 40 Suspension
 Ø40mm / 1 9/16" x 300mm / 11 13/16" - LED 6W Max. - 2700K /
 3000K / 3500K / 4000K - CRI90 - Non-Dimming - Optic: 32° / 58°

GENERAL

Series: Hangover
 Partner: Prolicht
 Division: Architectural
 Light Distribution: Direct

PHYSICAL

Aperture Sizes - Downlights: 1"
 Shape: Cylinder
 Diameter (mm): 40
 Diameter (in): 1 9/16
 Height (mm): 300
 Height (in): 11 13/16
 Fixture Finish: SSR / BKV / CWI / CRY / HAB / UFT / ITA / RUA / FTG /
 MYG / LOD / PUS / FRO / FUP / KIA / POP / BLS / SPG / MEY / GOH /
 CHC / COM / ABZ / JAG / OBR / MOS / ROR
 Fixture Material: Aluminum

ELECTRICAL

Input Wattage Range: 1 - 9 W
 Lamp Type: LED (Zhaga Standard)
 Input Wattage (W): 6
 Total Output Wattage (W): 5.4
 Dimming: Non-Dimmable / 0-10V Dimming
 Driver Included: No
 Driver Location: Integrated
 Driver Type: Constant Current - Universal
 Driver Class: Class 2
 Input Voltage (V): 120 - 277
 Constant Current (mA): 500

LED

Delivered Lumen Range: 100 - 499 lm
 Color Temperature (°K): 2700 / 3000 / 3500 / 4000
 Max. Delivered Lumen (lm): 310 / 328 / 349 / 356
 Nominal Lumen (lm): 461 / 487 / 517 / 528
 CRI: >90 CRI
 Lamp Life (hrs): 50000

OPTICAL

Optic°: 32 / 58

RATINGS AND CERTIFICATIONS

Certified By: Certified for North American Standards
 IP rating: IP20



A3HY40-SUS-SYS COMPONENTS

PROJECT	
TYPE	
NOTES	
QUANTITY	
DATE	

A380403-

DESCRIPTION
 Hangover Plug Micro Dot - Insert for Hypro 40 Suspension
 Ø40mm / 1 9/16" x 450mm / 17 11/16" - LED 6W Max. - 2700K / 3000K / 3500K / 4000K - CRI90 - Non-Dimming - Optic: 32° / 58°

GENERAL
 Series: Hangover
 Partner: Prolicht
 Division: Architectural
 Light Distribution: Direct

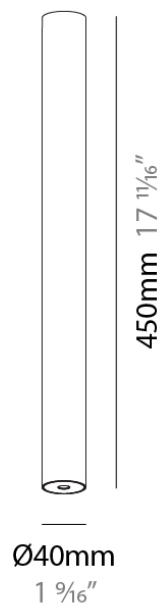
PHYSICAL
 Aperture Sizes - Downlights: 1"
 Shape: Cylinder
 Diameter (mm): 40
 Diameter (in): 1 9/16
 Height (mm): 450
 Height (in): 17 11/16
 Fixture Finish: SSR / BKV / CWI / CRY / HAB / UFT / ITA / RUA / FTG / MYG / LOD / PUS / FRO / FUP / KIA / POP / BLS / SPG / MEY / GOH / CHC / COM / ABZ / JAG / OBR / MOS / ROR
 Fixture Material: Aluminum

ELECTRICAL
 Input Wattage Range: 1 - 9 W
 Lamp Type: LED (Zhaga Standard)
 Input Wattage (W): 6
 Total Output Wattage (W): 5.4
 Dimming: Non-Dimmable / 0-10V Dimming
 Driver Included: No
 Driver Location: Integrated
 Driver Type: Constant Current - Universal
 Driver Class: Class 2
 Input Voltage (V): 120 - 277
 Constant Current (MA): 500

LED
 Delivered Lumen Range: 100 - 499 lm
 Color Temperature (°K): 2700 / 3000 / 3500 / 4000
 Max. Delivered Lumen (lm): 310 / 328 / 349 / 356
 Nominal Lumen (lm): 461 / 487 / 517 / 528
 CRI: >90 CRI
 Lamp Life (hrs): 50000

OPTICAL
 Optic°: 32 / 58

RATINGS AND CERTIFICATIONS
 Certified By: Certified for North American Standards
 IP rating: IP20



PROJECT	
TYPE	
NOTES	
QUANTITY	
DATE	

A3HY40-SUS-SYS COMPONENTS

A380422-

DESCRIPTION

Snooker - Insert for Hypro 40 Suspension - 6.4W LED - 2700K / 3000K / 3500K / 4000K, CRI90, Shine Ring - Optic: 32° / 58°

GENERAL

Series: Snooker
 Partner: Prolight
 Division: Architectural

PHYSICAL

Shape: Sphere
 Diameter (mm): 72
 Diameter (in): 2 13/16
 Height (mm): 71
 Height (in): 2 13/16
 Weight (kg): 0.26
 Fixture Finish: SSR / BKV / CWI / CRY / HAB / UFT / ITA / RUA / FTG / MYG / LOD / PUS / FRO / FUP / KIA / POP / BLS / SPG / MEY / GOH / CHC / COM / ABZ / JAG / OBR / MOS / ROR
 Accent Finish: OPL / YEL / ORA / RED / BLU / GRN
 Fixture Material: Glass / Aluminum

ELECTRICAL

Input Wattage Range: 1 - 9 W
 Lamp Type: LED (Zhaga Standard)
 Input Wattage (W): 6
 Total Output Wattage (W): 5.4
 Dimming: Non-Dimmable / 0-10V Dimming
 Driver Included: Yes
 Driver Location: Integrated
 Driver Type: Constant Current - 120Vac
 Driver Class: Class 2
 Input Voltage (V): 120
 Constant Current (mA): 500

LED

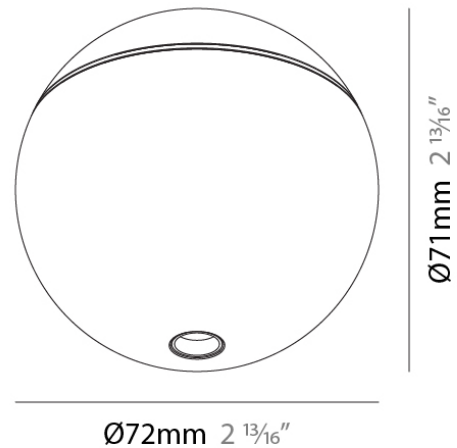
Delivered Lumen Range: 100 - 499 lm
 Color Temperature (°K): 2700 / 3000 / 3500 / 4000
 Max. Delivered Lumen (lm): 284 / 300 / 319 / 325
 Nominal Lumen (lm): 461 / 487 / 517 / 528
 CRI: >90 CRI
 Lamp Life (hrs): 50000

OPTICAL

Optic°: 32 / 58

RATINGS AND CERTIFICATIONS

Certified By: Certified for North American Standards
 IP rating: IP20



A3HY40-SUS-SYS COMPONENTS

A380426-

DESCRIPTION

Snooker Metal - Insert for Hypro 40 Suspension - 6.4W LED - 2700K / 3000K / 3500K / 4000K, CRI90, Chrome - Optic: 32° / 58°

GENERAL

Series: Snooker _____
 Partner: Prolicht _____
 Division: Architectural _____

PHYSICAL

Shape: Sphere _____
 Diameter (mm): 72 _____
 Diameter (in): 2 ¹³/₁₆ _____
 Height (mm): 71 _____
 Height (in): 2 ¹³/₁₆ _____
 Weight (kg): 0.26 _____
 Fixture Finish: CHR _____
 Fixture Material: Glass / Aluminum _____

ELECTRICAL

Input Wattage Range: 1 - 9 W _____
 Lamp Type: LED (Zhaga Standard) _____
 Input Wattage (W): 6 _____
 Total Output Wattage (W): 5.4 _____
 Dimming: Non-Dimmable / 0-10V Dimming _____
 Driver Included: Yes _____
 Driver Location: Integrated _____
 Driver Type: Constant Current - 120Vac _____
 Driver Class: Class 2 _____
 Input Voltage (V): 120 _____
 Constant Current (mA): 500 _____

LED

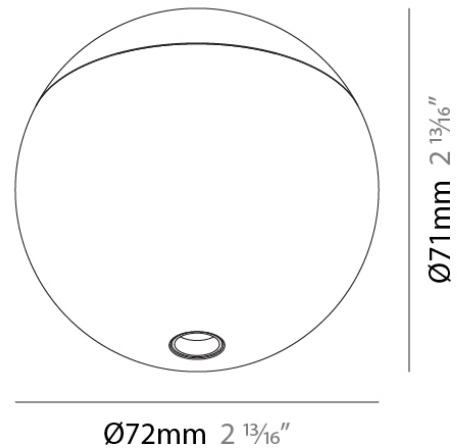
Delivered Lumen Range: 100 - 499 lm _____
 Color Temperature (°K): 2700 / 3000 / 3500 / 4000 _____
 Max. Delivered Lumen (lm): 284 / 300 / 319 / 325 _____
 Nominal Lumen (lm): 461 / 487 / 517 / 528 _____
 CRI: >90 CRI _____
 Lamp Life (hrs): 50000 _____

OPTICAL

Optic°: 32 / 58 _____

RATINGS AND CERTIFICATIONS

Certified By: Certified for North American Standards _____
 IP rating: IP20 _____



PROJECT	
TYPE	
NOTES	
QUANTITY	
DATE	

A3HY40-SUS-SYS COMPONENTS

A380430-

DESCRIPTION

Snooker Metal Shine - Insert for Hypro 40 Suspension - 6.4W LED - 2700K / 3000K / 3500K / 4000K, CRI90, Chrome - Optic: 32° / 58°

GENERAL

Series: Snooker
 Partner: Prolicht
 Division: Architectural

PHYSICAL

Shape: Sphere
 Diameter (mm): 72
 Diameter (in): 2 13/16
 Height (mm): 71
 Height (in): 2 13/16
 Weight (kg): 0.26
 Fixture Finish: CHR
 Accent Finish: OPL / YEL / ORA / RED / BLU / GRN
 Fixture Material: Glass / Aluminum

ELECTRICAL

Input Wattage Range: 1 - 9 W
 Lamp Type: LED (Zhaga Standard)
 Input Wattage (W): 6.0
 Total Output Wattage (W): 5.4
 Dimming: Non-Dimmable / 0-10V Dimming
 Driver Included: Yes
 Driver Location: Integrated
 Driver Type: Constant Current - 120Vac
 Driver Class: Class 2
 Input Voltage (V): 120
 Constant Current (MA): 500

LED

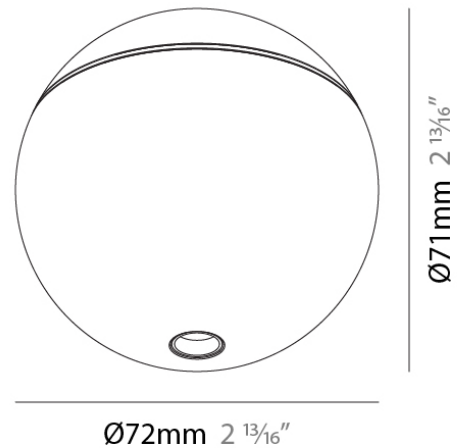
Delivered Lumen Range: 100 - 499 lm
 Color Temperature (°K): 2700 / 3000 / 3500 / 4000
 Max. Delivered Lumen (lm): 284 / 300 / 319 / 325
 Nominal Lumen (lm): 461 / 487 / 517 / 528
 CRI: >90 CRI
 Lamp Life (hrs): 50000

OPTICAL

Optic°: 32 / 58

RATINGS AND CERTIFICATIONS

Certified By: Certified for North American Standards
 IP rating: IP20



PROJECT
TYPE
NOTES
QUANTITY
DATE

A3HY40-SUS-SYS COMPONENTS

A380436-

DESCRIPTION

Hypline - 40 Rico - Hypro 40 Linear Insert 705mm for HYPRO 40 Suspension: 17W LED - 2700K / 3000K / 3500K / 4000K - CRI 90 - Dimmable

GENERAL

Series: Hypro
 Subseries: Hypro 40
 Partner: Prolicht
 Division: Architectural

PHYSICAL

Shape: Rectangle
 Length (mm): 705
 Length (in): 27 3/4
 Width (mm): 29
 Width (in): 1 1/8
 Height (mm): 50
 Height (in): 1 15/16
 Fixture Material: Aluminum

ELECTRICAL

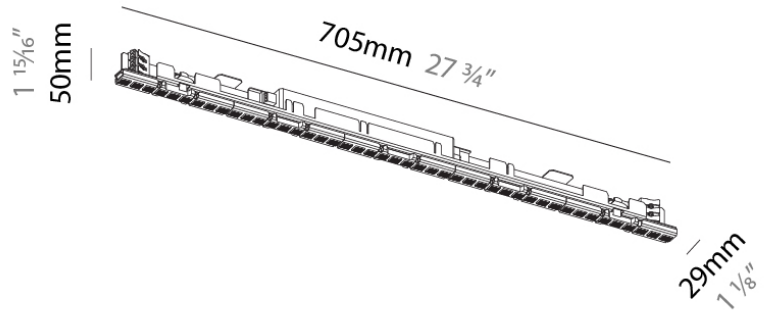
Input Wattage Range: 10 - 19 W
 Lamp Type: LED (Zhaga Standard)
 Input Wattage (W): 16.1
 Total Output Wattage (W): 14.6
 Dimming: Non-Dimmable / 0-10V Dimming
 Driver Included: Yes
 Driver Location: Integrated
 Driver Type: Constant Current - Universal
 Driver Class: Class 2
 Input Voltage (V): 120 - 277

LED

Delivered Lumen Range: 1000 - 1999 lm
 Color Temperature (°K): 2700 / 3000 / 3500 / 4000
 Max. Delivered Lumen (lm): 1383 / 1437 / 1500 / 1531
 Nominal Lumen (lm): 2028 / 2107 / 2199 / 2244
 CRI: >90 CRI
 Lamp Life (hrs): 50000

RATINGS AND CERTIFICATIONS

Certified By: Certified for North American Standards
 IP rating: IP20



PROJECT
TYPE
NOTES
QUANTITY
DATE

A3HY40-SUS-SYS COMPONENTS

A380444-

DESCRIPTION

Hypline - 40 Rico - Hypro 40 Linear Insert 1128mm / 44 7/16" for HYPRO 40 Suspension: 26.4W LED - 2700K / 3000K / 3500K / 4000K - CRI 90 - Dimmable

GENERAL

Series: Hypro
 Subseries: Hypro 40
 Partner: Prolicht
 Division: Architectural

PHYSICAL

Shape: Rectangle
 Length (mm): 1128
 Length (in): 44 7/16
 Width (mm): 39
 Width (in): 1 5/16
 Height (mm): 50
 Height (in): 1 15/16
 Fixture Material: Aluminum

ELECTRICAL

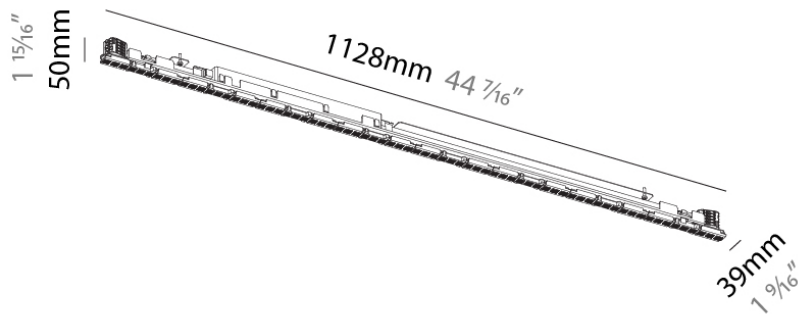
Input Wattage Range: 20 - 29 W
 Lamp Type: LED (Zhaga Standard)
 Input Wattage (W): 25.8
 Total Output Wattage (W): 23.5
 Dimming: Non-Dimmable / 0-10V Dimming
 Driver Included: Yes
 Driver Location: Integrated
 Driver Type: Constant Current - Universal
 Driver Class: Class 2
 Input Voltage (V): 120 - 277

LED

Delivered Lumen Range: 2000 - 2999 lm
 Color Temperature (°K): 2700 / 3000 / 3500 / 4000
 Max. Delivered Lumen (lm): 2213 / 2299 / 2400 / 2449
 Nominal Lumen (lm): 3245 / 3371 / 3519 / 3591
 CRI: >90 CRI
 Lamp Life (hrs): 50000

RATINGS AND CERTIFICATIONS

Certified By: Certified for North American Standards
 IP rating: IP20



PROJECT
TYPE
NOTES
QUANTITY
DATE

A3HY40-SUS-SYS COMPONENTS

A380452-

DESCRIPTION

Hypline - 40 Rico - Hypro 40 Linear Insert 1408mm / 55 7/16" for HYPRO 40 Suspension: 33W LED - 2700K / 3000K / 3500K / 4000K - CRI 90 - Dimmable

GENERAL

Series: Hypro
 Subseries: Hypro 40
 Partner: Prolicht
 Division: Architectural

PHYSICAL

Shape: Rectangle
 Length (mm): 1408
 Length (in): 55 7/16
 Width (mm): 39
 Width (in): 1 9/16
 Height (mm): 50
 Height (in): 1 15/16
 Fixture Material: Aluminum

ELECTRICAL

Input Wattage Range: 30 - 49 W
 Lamp Type: LED (Zhaga Standard)
 Input Wattage (W): 31.1
 Total Output Wattage (W): 28.3
 Dimming: Non-Dimmable / 0-10V Dimming
 Driver Included: Yes
 Driver Location: Integrated
 Driver Type: Constant Current - Universal
 Driver Class: Class 2
 Input Voltage (V): 120 - 277

LED

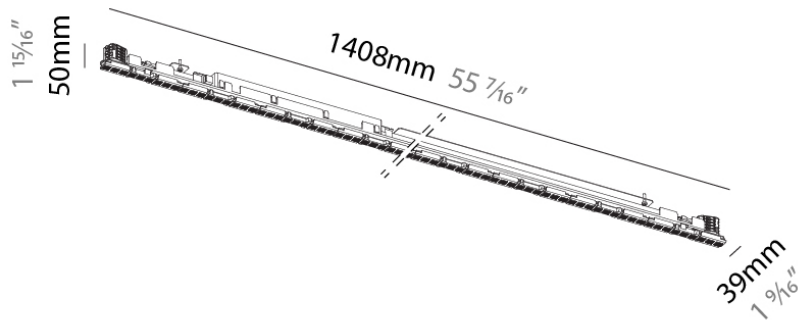
Delivered Lumen Range: 2000 - 3999 lm
 Color Temperature (°K): 2700 / 3000 / 3500 / 4000
 Max. Delivered Lumen (lm): 2767 / 2874 / 3000 / 3061
 Nominal Lumen (lm): 4057 / 4214 / 4399 / 4489
 CRI: >90 CRI
 Lamp Life (hrs): 50000

OPTICAL

Beam Angle: 62

RATINGS AND CERTIFICATIONS

Certified By: Certified for North American Standards
 IP rating: IP20



A3HY40-SUS-SYS COMPONENTS TRACK

A380488-

DESCRIPTION

Magiq 4 - Hypro 40 Profile Suspension Insert - 13.3W LED (Zhaga Standard) - 2700K / 3000K / 3500K / 4000K - Reflectors 8° / 14° / 34°

GENERAL

Series: Magiq
 Subseries: Magiq 4 Cell
 Partner: Prolicht
 Division: Architectural
 Installation: Track
 Product Type: Downlight
 Mounting Location: Ceiling
 Light Distribution: Direct

PHYSICAL

Aperture Sizes - Downlights: 1"
 Shape: Rectangle
 Length (mm): 650
 Length (in): 25 7/16
 Width (mm): 35
 Width (in): 1 3/8
 Height (mm): 72
 Height (in): 2 13/16
 Weight (kg): 0.577
 Weight (lbs): 1.27
 Fixture Finish: BLK / WHI
 Fixture Material: Aluminum Die Cast

ELECTRICAL

Input Wattage Range: 10 - 19 W
 Lamp Type: LED (Zhaga Standard)
 Input Wattage (W): 13.3
 Total Output Wattage (W): 12.1
 Dimming: Tri-Mode (Non-Dimming and Phase Dimming (120Vac only) and 0-10V Dimming)
 Driver Included: Yes
 Driver Location: Integrated
 Driver Type: Constant Current - Universal
 Driver Class: Class 2
 Input Voltage (V): 120 - 277
 Constant Current (mA): 1050

LED

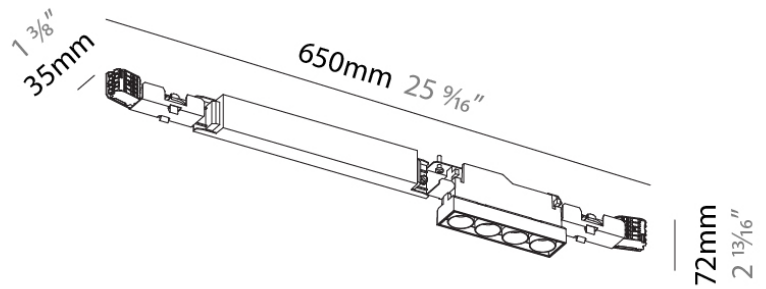
Number of LEDs: 4
 Color Temperature (°K): 2700 / 3000 / 3500 / 4000
 Max. Delivered Lumen (lm): 781 / 843 / 860 / 878
 Nominal Lumen (lm): 880 / 954 / 970 / 990
 CRI: >90 CRI
 Lamp Life (hrs): 50000

OPTICAL

Reflector°: 8 / 14 / 34

RATINGS AND CERTIFICATIONS

Certified By: Certified for North American Standards
 IP rating: IP20



PROJECT
TYPE
NOTES
QUANTITY
DATE

A3HY40-SUS-SYS COMPONENTS TRACK

A380494-

DESCRIPTION

Magiq 4 Micro Dot - Hypro 40 Profile Suspension Insert - 13.3W LED (Zhaga Standard) - 2700K / 3000K / 3500K / 4000K - Black - Lens 22° / 38°

GENERAL

Series: Magiq Micro Dot
 Subseries: Magiq 4 Cell Micro-Dot
 Partner: Prolicht
 Division: Architectural
 Installation: Track
 Product Type: Downlight
 Mounting Location: Ceiling
 Light Distribution: Downlight

PHYSICAL

Aperture Sizes - Downlights: 1"
 Shape: Rectangle
 Length (mm): 650
 Length (in): 25 7/16
 Width (mm): 35
 Width (in): 1 3/8
 Height (mm): 72
 Height (in): 2 13/16
 Weight (kg): 0.577
 Weight (lbs): 1.27
 Fixture Material: Aluminum Die Cast

ELECTRICAL

Input Wattage Range: 10 - 19 W
 Lamp Type: LED (Zhaga Standard)
 Input Wattage (W): 13.3
 Total Output Wattage (W): 12.1
 Dimming: Tri-Mode (Non-Dimming and Phase Dimming (120Vac only) and 0-10V Dimming)
 Driver Included: Yes
 Driver Location: Integrated
 Driver Type: Constant Current - Universal
 Driver Class: Class 2
 Input Voltage (V): 120 - 277
 Constant Current (mA): 1050

LED

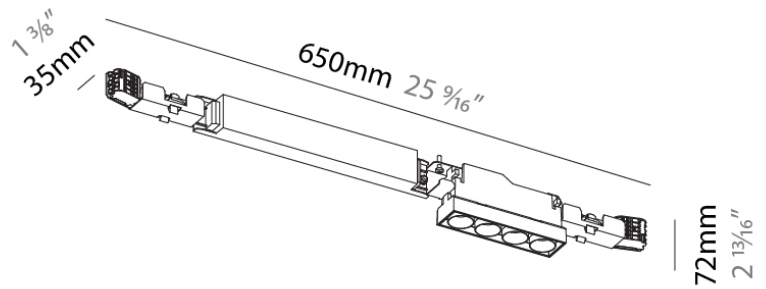
Delivered Lumen Range: 500 - 999 lm
 Number of LEDs: 4
 Color Temperature (°K): 2700 / 3000 / 3500 / 4000
 Max. Delivered Lumen (lm): 640 / 691 / 706 / 720
 Nominal Lumen (lm): 880 / 954 / 970 / 990
 CRI: >90 CRI
 Lamp Life (hrs): 50000

OPTICAL

Optic°: 22 / 38

RATINGS AND CERTIFICATIONS

Certified By: Certified for North American Standards
 IP rating: IP20



PROJECT
TYPE
NOTES
QUANTITY
DATE

A3HY40-SUS-SYS COMPONENTS

A380497-

DESCRIPTION

Magiq 4 + 4 - Hypro 40 Profile Suspension Insert - 26.6W LED (Zhaga Standard) - 2700K / 3000K / 3500K / 4000K - Black - Reflectors 8° / 14° / 34°

GENERAL

Series: Magiq
 Subseries: Magiq 4 + 4 Cell
 Partner: Prolight
 Division: Architectural
 Product Type: Downlight
 Light Distribution: Downlight

PHYSICAL

Aperture Sizes - Downlights: 1"
 Shape: Rectangle
 Length (mm): 910
 Length (in): 35 13/16
 Width (mm): 35
 Width (in): 1 3/8
 Height (mm): 72
 Height (in): 2 13/16
 Weight (kg): 0.923
 Weight (lbs): 2.035
 Fixture Finish: BLK
 Fixture Material: Aluminum Die Cast

ELECTRICAL

Input Wattage Range: 20 - 29 W
 Lamp Type: LED (Zhaga Standard)
 Input Wattage (W): 26.6
 Total Output Wattage (W): 24.2
 Dimming: Tri-Mode (Non-Dimming and Phase Dimming (120Vac only) and 0-10V Dimming)
 Driver Included: Yes
 Driver Location: Integrated
 Driver Type: Constant Current - Universal
 Driver Class: Class 2
 Input Voltage (V): 120 - 277
 Constant Current (MA): 1050

LED

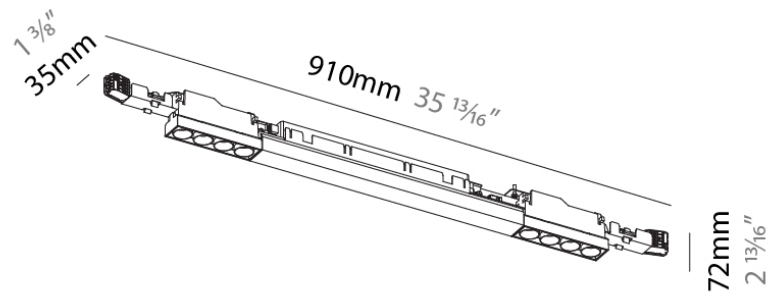
Delivered Lumen Range: 1000 - 1999 lm
 Number of LEDs: 8
 Color Temperature (°K): 2700 / 3000 / 3500 / 4000
 Max. Delivered Lumen (lm): 1561 / 1685 / 1809 / 1756
 Nominal Lumen (lm): 1761 / 1908 / 1940 / 1980
 CRI: >90 CRI
 Lamp Life (hrs): 50000

OPTICAL

Reflector°: 8 / 14 / 34

RATINGS AND CERTIFICATIONS

Certified By: Certified for North American Standards
 IP rating: IP20



PROJECT
TYPE
NOTES
QUANTITY
DATE

A3HY40-SUS-SYS COMPONENTS

A380504-

DESCRIPTION

Magiq 4 + 4 Micro Dot - Hypro 40 Profile Suspension Insert - 26.6W LED (Zhaga Standard) - 2700K / 3000K / 3500K / 4000K - Black - Reflectors 11° / 22° / 33°

GENERAL

Series: Magiq Micro Dot
 Subseries: Magiq 4+4 Micro Dot
 Partner: Prolight
 Division: Architectural
 Product Type: Downlight
 Light Distribution: Downlight

PHYSICAL

Aperture Sizes - Downlights: 1"
 Shape: Rectangle
 Length (mm): 910
 Length (in): 35 13/16
 Width (mm): 35
 Width (in): 1 3/8
 Height (mm): 72
 Height (in): 2 13/16
 Weight (kg): 0.923
 Weight (lbs): 2.035
 Fixture Finish: BLK
 Fixture Material: Aluminum Die Cast

ELECTRICAL

Input Wattage Range: 20 - 29 W
 Lamp Type: LED (Zhaga Standard)
 Input Wattage (W): 26.6
 Total Output Wattage (W): 24.2
 Dimming: Tri-Mode (Non-Dimming and Phase Dimming (120Vac only) and 0-10V Dimming)
 Driver Included: Yes
 Driver Location: Integrated
 Driver Type: Constant Current - Universal
 Driver Class: Class 2
 Input Voltage (V): 120 - 277
 Constant Current (MA): 1050

LED

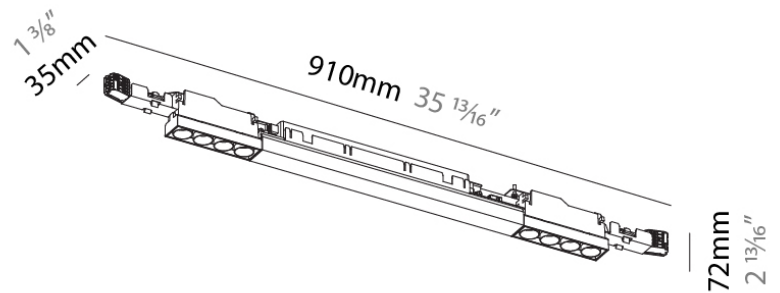
Delivered Lumen Range: 1000 - 1999 lm
 Number of LEDs: 8
 Color Temperature (°K): 2700 / 3000 / 3500 / 4000
 Max. Delivered Lumen (lm): 1280 / 1382 / 1411 / 1440
 Nominal Lumen (lm): 1761 / 1908 / 1940 / 1980
 CRI: >90 CRI
 Lamp Life (hrs): 50000

OPTICAL

Reflector°: 11 / 22 / 33

RATINGS AND CERTIFICATIONS

Certified By: Certified for North American Standards
 IP rating: IP20



PROJECT
TYPE
NOTES
QUANTITY
DATE

A3HY40-SUS-SYS COMPONENTS TRACK

A380513-

DESCRIPTION

Magiq 8 Micro Dot - Hypro 40 Profile Suspension Insert - 650mm / 25 9/16" - 26.6W LED (Zhaga Standard) - 2700K / 3000K / 4000K - Optics 21° / 38°

GENERAL

Series: Magiq Micro Dot
 Subseries: Magiq 8 Cell Micro-Dot
 Partner: Prolight
 Division: Architectural
 Installation: Track

PHYSICAL

Shape: Rectangle
 Length (mm): 840
 Length (in): 33 1/16"
 Width (mm): 35
 Width (in): 1 3/8"
 Height (mm): 72
 Height (in): 2 13/16"
 Fixture Finish: BLK
 Fixture Material: Aluminum

ELECTRICAL

Input Wattage Range: 20 - 29 W
 Lamp Type: LED (Zhaga Standard)
 Input Wattage (W): 26.6
 Total Output Wattage (W): 24.2
 Dimming: Non-Dimmable / 0-10V Dimming
 Driver Included: Yes
 Driver Location: Integrated
 Driver Type: Constant Current - Universal
 Driver Class: Class 2
 Input Voltage (V): 120 - 277
 Constant Current (mA): 1050

LED

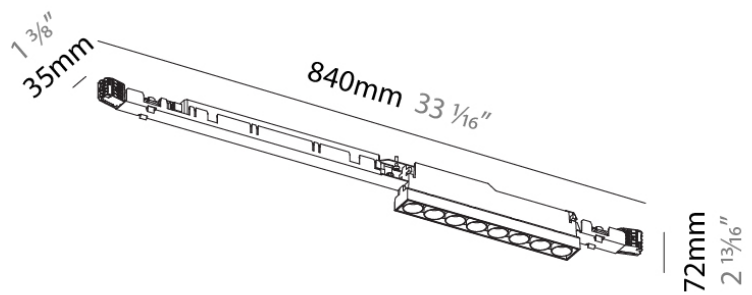
Delivered Lumen Range: 1000 - 1999 lm
 Number of LEDs: 8
 Color Temperature (°K): 2700 / 3000 / 3500 / 4000
 Max. Delivered Lumen (lm): 1280 / 1384 / 1411 / 1440
 CRI: >80 CRI
 Lamp Life (hrs): 50000

OPTICAL

Optic°: 21 / 38

RATINGS AND CERTIFICATIONS

Certified By: Certified for North American Standards
 IP rating: IP20



PROJECT
TYPE
NOTES
QUANTITY
DATE

A3HY40-SUS-SYS COMPONENTS

A380519-

DESCRIPTION

Magiq 8 + 8 Korona - Hypro 40 Profile Suspension Insert - 53.2W LED (Zhaga Standard) - Black - 2700K / 3000K / 3500K / 4000K - Reflectors 11° / 22° / 33°

GENERAL

Series: Magiq
 Subseries: Magiq 8 + 8 Cell Korona
 Partner: Prolight
 Division: Architectural
 Product Type: Downlight
 Light Distribution: Downlight

PHYSICAL

Aperture Sizes - Downlights: 1"
 Shape: Rectangle
 Length (mm): 1170
 Length (in): 46 ¹/₁₆"
 Width (mm): 35
 Width (in): 1 ³/₈"
 Height (mm): 72
 Height (in): 2 ¹³/₁₆"
 Weight (kg): 1.769
 Weight (lbs): 3.9
 Fixture Finish: SSR / BKV / CWI / CRY / HAB / UFT / ITA / RUA / FTG / MYG / LOD / PUS / FRO / FUP / KIA / POP / BLS / SPG / MEY / GOH / CHC / COM / ABZ / JAG / OBR / MOS / ROR
 Fixture Material: Aluminum Die Cast

ELECTRICAL

Input Wattage Range: 50 - 79 W
 Lamp Type: LED (Zhaga Standard)
 Input Wattage (W): 53.2
 Total Output Wattage (W): 48.4
 Dimming: Tri-Mode (Non-Dimming and Phase Dimming (120Vac only) and 0-10V Dimming)
 Driver Included: Yes
 Driver Location: Integrated
 Driver Type: Constant Current - Universal
 Driver Class: Class 2
 Input Voltage (V): 120 - 277
 Constant Current (mA): 1050

LED

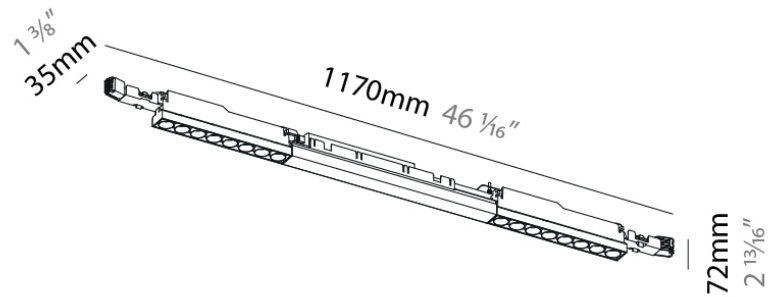
Delivered Lumen Range: 2000 - 2999 lm
 Number of LEDs: 16
 Color Temperature (°K): 2700 / 3000 / 3500 / 4000
 Max. Delivered Lumen (lm): 3312 / 3371 / 3443 / 3513
 Nominal Lumen (lm): 3521 / 3816 / 3882 / 3961
 CRI: >90 CRI
 Lamp Life (hrs): 50000

OPTICAL

Reflector°: 10 / 20 / 40

RATINGS AND CERTIFICATIONS

Certified By: Certified for North American Standards
 IP rating: IP20



PROJECT
TYPE
NOTES
QUANTITY
DATE

A3HY40-SUS-SYS COMPONENTS

A380523-

DESCRIPTION

Magiq 8 + 8 Micro Dot - Hypro 40 Profile Suspension Insert - 53.2W LED (Zhaga Standard) - Black - 2700K / 3000K / 3500K / 4000K - Optics: 21° / 38°

GENERAL

Series: Magiq Micro Dot
 Subseries: Magiq 8 + 8 Cell Micro Dot
 Partner: Prolight
 Division: Architectural
 Product Type: Downlight
 Light Distribution: Downlight

PHYSICAL

Aperture Sizes - Downlights: 1"
 Shape: Rectangle
 Length (mm): 1170
 Length (in): 46 1/16"
 Width (mm): 35
 Width (in): 1 3/8"
 Height (mm): 72
 Height (in): 2 13/16"
 Weight (kg): 1.769
 Weight (lbs): 3.9
 Fixture Material: Aluminum Die Cast

ELECTRICAL

Input Wattage Range: 50 - 79 W
 Lamp Type: LED (Zhaga Standard)
 Input Wattage (W): 53.2
 Total Output Wattage (W): 48.4
 Dimming: Tri-Mode (Non-Dimming and Phase Dimming (120Vac only) and 0-10V Dimming)
 Driver Included: Yes
 Driver Location: Integrated
 Driver Type: Constant Current - Universal
 Driver Class: Class 2
 Input Voltage (V): 120 - 277
 Constant Current (mA): 1050

LED

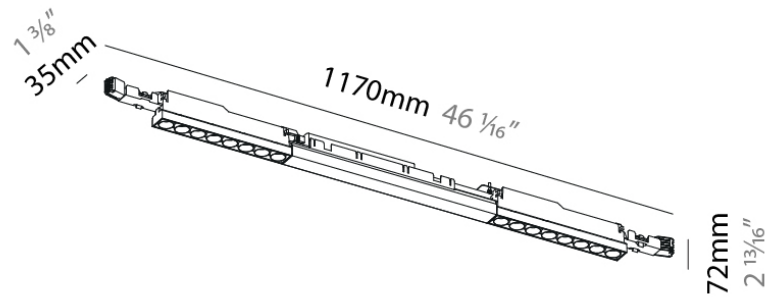
Delivered Lumen Range: 2000 - 2999 lm
 Number of LEDs: 16
 Color Temperature (°K): 2700 / 3000 / 3500 / 4000
 Max. Delivered Lumen (lm): 2560 / 2763 / 2822 / 2880
 Nominal Lumen (lm): 3521 / 3816 / 3882 / 3961
 CRI: >90 CRI
 Lamp Life (hrs): 50000

OPTICAL

Optic°: 21 / 38

RATINGS AND CERTIFICATIONS

Certified By: Certified for North American Standards
 IP rating: IP20



PROJECT	
TYPE	
NOTES	
QUANTITY	
DATE	

A3HY40-SUS-SYS COMPONENTS

A380532-

DESCRIPTION

Magiq Wallwash - Hypro 40 Profile Suspension Insert - 31.3W LED (Zhaga Standard) - 2700K / 3000K / 3500K / 4000K - Black

GENERAL

Series: Magiq Wallwash
 Subseries: Magiq Wallwash
 Partner: Prolicht
 Division: Architectural
 Product Type: Wallwash
 Light Distribution: Asymmetric

PHYSICAL

Shape: Rectangle
 Length (mm): 760
 Length (in): 29 ¹⁵/₁₆
 Width (mm): 35
 Width (in): 1 ³/₈
 Height (mm): 85
 Height (in): 3 ³/₈
 Weight (kg): 1.221
 Weight (lbs): 2.69
 Fixture Material: Aluminum Die Cast

ELECTRICAL

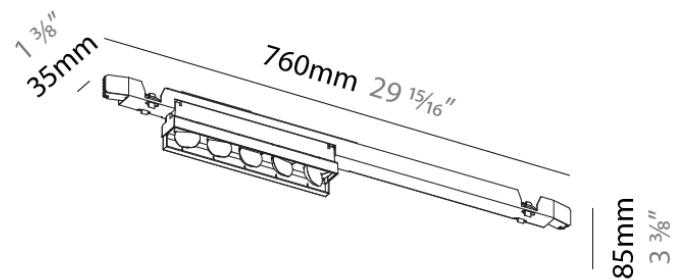
Input Wattage Range: 30 - 49 W
 Lamp Type: LED (Zhaga Standard)
 Input Wattage (W): 31.3
 Total Output Wattage (W): 28.5
 Dimming: Tri-Mode (Non-Dimming and Phase Dimming (120Vac only) and 0-10V Dimming)
 Driver Included: Yes
 Driver Location: Integrated
 Driver Type: Constant Current - Universal
 Driver Class: Class 1
 Input Voltage (V): 120 - 277
 Constant Current (MA): 500

LED

Delivered Lumen Range: 2000 - 2999 lm
 Number of LEDs: 5
 Color Temperature (°K): 2700 / 3000 / 3500 / 4000
 Max. Delivered Lumen (lm): 2125 / 2260 / 2513 / 2564
 Nominal Lumen (lm): 2550 / 2793 / 2877 / 2936
 CRI: >90 CRI
 Lamp Life (hrs): 50000

RATINGS AND CERTIFICATIONS

Certified By: Certified for North American Standards
 IP rating: IP20



PROJECT	
TYPE	
NOTES	
QUANTITY	
DATE	

A3HY40-SUS-SYS COMPONENTS

A380536-

DESCRIPTION

Sign Diva Tube - Insert Ø400mm / 15 3/4" for Hypro 40
 Suspension: 17 Watt LED - 2700K / 3000K / 3500K / 4000K - CRI
 90 - Dimmable - Shine Ring: No Ring / Opal / Yellow / Orange /
 Red / Blue / Green - Diffuser: Opal / Micro-Prism / Sparkling
 Secret / Vintage Industrial

GENERAL

Series: Sign Diva Tube
 Subseries: Sign Diva Tube
 Partner: Prolicht
 Division: Architectural
 Light Distribution: Direct

PHYSICAL

Shape: Round
 Diameter (mm): 395
 Diameter (in): 15 9/16
 Height (mm): 72
 Height (in): 2 13/16
 Diffuser: PMMA - Opal / Micro-Prism / Sparkling Secret / Vintage
 Industrial
 Fixture Finish: SSR / BKV / CWI / CRY / HAB / UFT / ITA / RUA / FTG /
 MYG / LOD / PUS / FRO / FUP / KIA / POP / BLS / SPG / MEY / GOH /
 CHC / COM / ABZ / JAG / OBR / MOS / ROR
 Accent Finish: NOR / OPL / YEL / ORA / RED / BLU / GRN
 Fixture Material: PMMA / Extruded Aluminum / Steel

ELECTRICAL

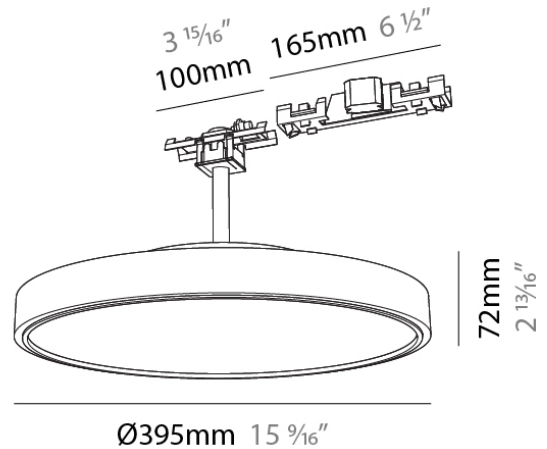
Input Wattage Range: 10 - 19 W
 Lamp Type: LED (Zhaga Standard)
 Input Wattage (W): 17
 Total Output Wattage (W): 15.4
 Dimming: Non-Dimmable / 0-10V Dimming
 Driver Included: Yes
 Driver Location: Integrated
 Driver Type: Constant Current - Universal
 Driver Class: Class 2
 Input Voltage (V): 120 - 277
 Constant Current (mA): 350
 Upon Request: Phase Dimming (Trailing/Leading Edge)

LED

Delivered Lumen Range: 1000 - 1999 lm
 Color Temperature (°K): 2700 / 3000 / 3500 / 4000
 Max. Delivered Lumen (lm): 1807 / 1943 / 1951 / 1991
 Nominal Lumen (lm): 2250 / 2420 / 2430 / 2480
 CRI: >90 CRI
 Lamp Life (hrs): 50000

RATINGS AND CERTIFICATIONS

Certified By: Certified for North American Standards
 IP rating: IP20



PROJECT
TYPE
NOTES
QUANTITY
DATE

A3HY40-SUS-SYS COMPONENTS

A380540-

DESCRIPTION

Sign Diva Tube Korona - Insert Ø400mm / 15 3/4" for Hypro 40 Suspension: 17 Watt LED - 2700K / 3000K / 3500K / 4000K - CRI 90 - Dimmable - Diffuser: Opal / Micro-Prism / Sparkling Secret / Vintage Industrial

GENERAL

Series: Sign Diva Tube
 Subseries: Sign Diva Tube Korona
 Partner: Prolicht
 Division: Architectural
 Light Distribution: Direct

PHYSICAL

Shape: Round
 Diameter (mm): 395
 Diameter (in): 15 9/16
 Height (mm): 86
 Height (in): 3 3/8
 Diffuser: PMMA - Opal / Micro-Prism / Sparkling Secret / Vintage Industrial
 Fixture Finish: SSR / BKV / CWI / CRY / HAB / UFT / ITA / RUA / FTG / MYG / LOD / PUS / FRO / FUP / KIA / POP / BLS / SPG / MEY / GOH / CHC / COM / ABZ / JAG / OBR / MOS / ROR
 Fixture Material: PMMA / Extruded Aluminum / Steel

ELECTRICAL

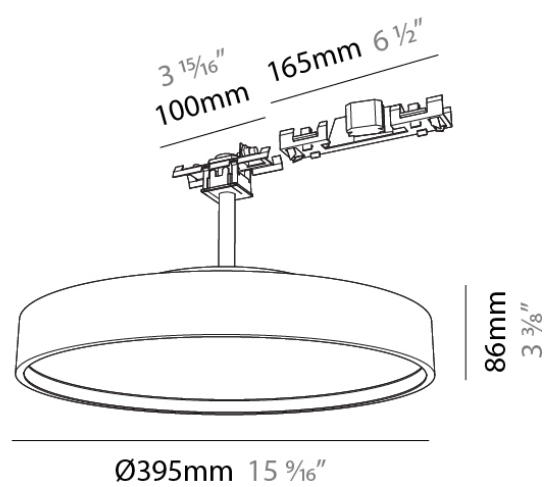
Input Wattage Range: 10 - 19 W
 Lamp Type: LED (Zhaga Standard)
 Input Wattage (W): 17
 Total Output Wattage (W): 15.4
 Dimming: Non-Dimmable / 0-10V Dimming
 Driver Included: Yes
 Driver Location: Integrated
 Driver Type: Constant Current - Universal
 Driver Class: Class 2
 Input Voltage (V): 120 - 277
 Constant Current (mA): 350
 Upon Request: Phase Dimming (Trailing/Leading Edge)

LED

Delivered Lumen Range: 1000 - 1999 lm
 Color Temperature (°K): 2700 / 3000 / 3500 / 4000
 Max. Delivered Lumen (lm): 1807 / 1943 / 1951 / 1991
 Nominal Lumen (lm): 2250 / 2420 / 2430 / 2480
 CRI: >90 CRI
 Lamp Life (hrs): 50000

RATINGS AND CERTIFICATIONS

Certified By: Certified for North American Standards
 IP rating: IP20



PROJECT
TYPE
NOTES
QUANTITY
DATE

A3HY40-SUS-SYS COMPONENTS

A380544-

DESCRIPTION

Sign Diva Tube - Insert Ø570mm / 22 7/16" for Hypro 40
 Suspension: 49 Watt LED - 2700K / 3000K / 3500K / 4000K - CRI
 90 - Dimmable - Shine Ring: No Ring / Opal / Yellow / Orange /
 Red / Blue / Green - Diffuser: Opal / Micro-Prism / Sparkling
 Secret / Vintage Industrial

GENERAL

Series: Sign Diva Tube
 Subseries: Sign Diva Tube
 Partner: Prolight
 Division: Architectural
 Light Distribution: Direct

PHYSICAL

Shape: Round
 Diameter (mm): 570
 Diameter (in): 22 7/16
 Height (mm): 72
 Height (in): 2 13/16
 Diffuser: PMMA - Opal / Micro-Prism / Sparkling Secret / Vintage
 Industrial
 Fixture Finish: SSR / BKV / CWI / CRY / HAB / UFT / ITA / RUA / FTG /
 MYG / LOD / PUS / FRO / FUP / KIA / POP / BLS / SPG / MEY / GOH /
 CHC / COM / ABZ / JAG / OBR / MOS / ROR
 Accent Finish: NOR / OPL / YEL / ORA / RED / BLU / GRN
 Fixture Material: PMMA / Extruded Aluminum / Steel

ELECTRICAL

Input Wattage Range: 30 - 49 W
 Lamp Type: LED (Zhaga Standard)
 Input Wattage (W): 49
 Total Output Wattage (W): 44.6
 Dimming: Non-Dimmable / 0-10V Dimming
 Driver Included: Yes
 Driver Location: Integrated
 Driver Type: Constant Current - Universal
 Driver Class: Class 2
 Input Voltage (V): 120 - 277
 Constant Current (MA): 350
 Upon Request: Phase Dimming (Trailing/Leading Edge)

LED

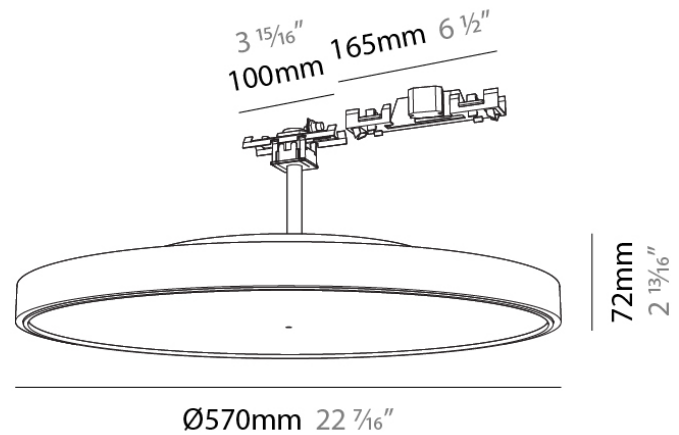
Delivered Lumen Range: 5000 - 9999 lm
 Color Temperature (°K): 2700 / 3000 / 3500 / 4000
 Max. Delivered Lumen (lm): 4978 / 5337 / 5384 / 5494
 Nominal Lumen (lm): 6199 / 6646 / 6705 / 6842
 CRI: >90 CRI
 Lamp Life (hrs): 50000

OPTICAL

Beam Angle: 110

RATINGS AND CERTIFICATIONS

Certified By: Certified for North American Standards
 IP rating: IP20



A3HY40-SUS-SYS COMPONENTS

A380548-

DESCRIPTION

Sign Diva Tube Korona - Insert Ø570mm / 22 7/16" for Hypro 40
 Suspension: 49 Watt LED - 2700K / 3000K / 3500K / 4000K - CRI
 90 - Dimmable - Diffuser: Opal / Micro-Prism / Sparkling Secret /
 Vintage Industrial

GENERAL

Series: Sign Diva Tube
 Subseries: Sign Diva Tube Korona
 Partner: Prolicht
 Division: Architectural
 Light Distribution: Direct

PHYSICAL

Shape: Round
 Diameter (mm): 570
 Diameter (in): 22 7/16
 Height (mm): 86
 Height (in): 3 3/8
 Diffuser: PMMA - Opal / Micro-Prism / Sparkling Secret / Vintage
 Industrial
 Fixture Finish: SSR / BKV / CWI / CRY / HAB / UFT / ITA / RUA / FTG /
 MYG / LOD / PUS / FRO / FUP / KIA / POP / BLS / SPG / MEY / GOH /
 CHC / COM / ABZ / JAG / OBR / MOS / ROR
 Fixture Material: PMMA / Extruded Aluminum / Steel

ELECTRICAL

Input Wattage Range: 30 - 49 W
 Lamp Type: LED (Zhaga Standard)
 Input Wattage (W): 49
 Total Output Wattage (W): 44.6
 Dimming: Non-Dimmable / 0-10V Dimming
 Driver Included: Yes
 Driver Location: Integrated
 Driver Type: Constant Current - Universal
 Driver Class: Class 2
 Input Voltage (V): 120 - 277
 Constant Current (mA): 350
 Upon Request: Phase Dimming (Trailing/Leading Edge)

LED

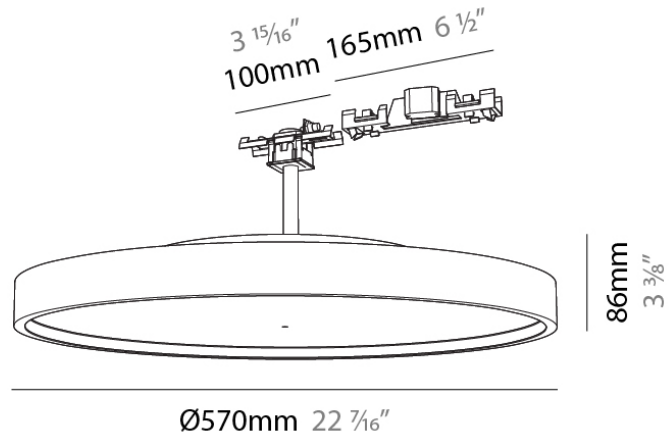
Delivered Lumen Range: 5000 - 9999 lm
 Color Temperature (°K): 2700 / 3000 / 3500 / 4000
 Max. Delivered Lumen (lm): 4978 / 5337 / 5384 / 5494
 Nominal Lumen (lm): 6199 / 6646 / 6705 / 6842
 CRI: >90 CRI
 Lamp Life (hrs): 50000

OPTICAL

Beam Angle: 110

RATINGS AND CERTIFICATIONS

Certified By: Certified for North American Standards
 IP rating: IP20



PROJECT
TYPE
NOTES
QUANTITY
DATE

A3HY40-SUS-SYS COMPONENTS

A380552-

DESCRIPTION

Hadi-M Suspended - Insert 1242mm / 48 7/8" x 240mm / 9 7/16" for Hypro 40 Suspension - Direct - 37W LED - 3000K / 3500K / 4000K - CRI 90 - Non-Dimming

GENERAL

Series: Hadi
 Subseries: Hadi-M Suspended
 Partner: Prolicht
 Division: Architectural
 Light Distribution: Direct

PHYSICAL

Shape: Round
 Length (mm): 1242
 Length (in): 48 7/8
 Width (mm): 240
 Width (in): 9 7/16
 Height (mm): 48
 Height (in): 1 7/8
 Fixture Finish: SSR / BKV / CWI / CRY / HAB / UFT / ITA / RUA / FTG / MYG / LOD / PUS / FRO / FUP / KIA / POP / BLS / SPG / MEY / GOH / CHC / COM / ABZ / JAG / OBR / MOS / ROR
 Fixture Material: Extruded Aluminum / Steel
 Cable Details: 2,000mm or 6,000mm Transparent Cable

ELECTRICAL

Input Wattage Range: 30 - 49 W
 Lamp Type: LED (Zhaga Standard)
 Input Wattage (W): 37
 Total Output Wattage (W): 33.6
 Dimming: Tri-Mode (Non-Dimming and Phase Dimming (120Vac only) and 0-10V Dimming)
 Driver Included: Yes
 Driver Location: Integrated
 Driver Type: Constant Current - Universal
 Driver Class: Class 2
 Input Voltage (V): 120 - 277
 Constant Current (mA): 900

LED

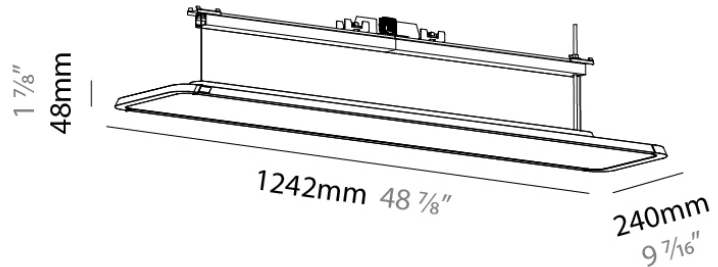
Delivered Lumen Range: 3000 - 4999 lm
 Color Temperature (°K): 3000 / 3500 / 4000
 Max. Delivered Lumen (lm): 4269 / 4265 / 4352
 Nominal Lumen (lm): 4796 / 4971 / 5072
 CRI: >90 CRI
 Lamp Life (hrs): 50000

OPTICAL

Beam Angle: 90
 Adjustability: Fixed

RATINGS AND CERTIFICATIONS

Certified By: Certified for North American Standards
 IP rating: IP20



PROJECT
TYPE
NOTES
QUANTITY
DATE

A3HY40-SUS-SYS COMPONENTS

A380556-

DESCRIPTION

Hadi-M Suspended - Insert 1242mm / 48 7/8" x 240mm / 9 7/16"
for Hypro 40 Suspension - Direct / Indirect - 78W LED - 3000K /
3500K / 4000K - CRI 90 - Non-Dimming

GENERAL

Series: Hadi
Subseries: Hadi-M Suspended
Partner: Prolicht
Division: Architectural
Light Distribution: Direct

PHYSICAL

Shape: Round
Length (mm): 1242
Length (in): 48 7/8
Width (mm): 240
Width (in): 9 7/16
Height (mm): 48
Height (in): 1 7/8
Fixture Finish: SSR / BKV / CWI / CRY / HAB / UFT / ITA / RUA / FTG /
MYG / LOD / PUS / FRO / FUP / KIA / POP / BLS / SPG / MEY / GOH /
CHC / COM / ABZ / JAG / OBR / MOS / ROR
Fixture Material: Extruded Aluminum / Steel
Cable Details: 2,000mm or 6,000mm Transparent Cable

ELECTRICAL

Input Wattage Range: 50 - 79 W
Lamp Type: LED (Zhaga Standard)
Input Wattage (W): 78
Total Output Wattage (W): 70.9
Dimming: Non-Dimmable / 0-10V Dimming
Driver Included: Yes
Driver Location: Integrated
Driver Type: Constant Current - Universal
Driver Class: Class 2
Input Voltage (V): 120 - 277

LED

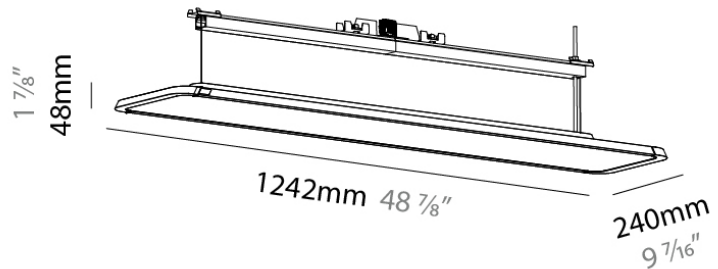
Delivered Lumen Range: 5000 - 9999 lm
Color Temperature (°K): 3000 / 3500 / 4000
Max. Delivered Lumen (lm): 5998 / 5997 / 6119
Nominal Lumen (lm): 9801 / 9799 / 9999
CRI: >90 CRI
Lamp Life (hrs): 50000

OPTICAL

Beam Angle: 90
Adjustability: Fixed

RATINGS AND CERTIFICATIONS

Certified By: Certified for North American Standards
IP rating: IP20



PROJECT	
TYPE	
NOTES	
QUANTITY	
DATE	

A3HY40-SUS-SYS COMPONENTS

A380560-

DESCRIPTION

Hadi Q Suspended - Insert 1403mm / 55 1/4" x 240mm / 9 7/16" for Hypro 40 Suspension - Direct - 37W LED - 3000K / 3500K / 4000K - CRI 90 - Non-Dimming

GENERAL

Series: Hadi
 Subseries: Hadi-Q Suspended
 Partner: Prolicht
 Division: Architectural
 Light Distribution: Direct

PHYSICAL

Shape: Round
 Length (mm): 1403
 Length (in): 55 1/4
 Width (mm): 240
 Width (in): 9 7/16
 Height (mm): 48
 Height (in): 1 7/8
 Fixture Finish: SSR / BKV / CWI / CRY / HAB / UFT / ITA / RUA / FTG / MYG / LOD / PUS / FRO / FUP / KIA / POP / BLS / SPG / MEY / GOH / CHC / COM / ABZ / JAG / OBR / MOS / ROR
 Fixture Material: Extruded Aluminum / Steel
 Cable Details: 2,000mm or 6,000mm Transparent Cable

ELECTRICAL

Input Wattage Range: 30 - 49 W
 Lamp Type: LED (Zhaga Standard)
 Input Wattage (W): 37
 Total Output Wattage (W): 33.6
 Dimming: Tri-Mode (Non-Dimming and Phase Dimming (120Vac only) and 0-10V Dimming)
 Driver Included: Yes
 Driver Location: Integrated
 Driver Type: Constant Current - Universal
 Driver Class: Class 2
 Input Voltage (V): 120 - 277
 Constant Current (MA): 900

LED

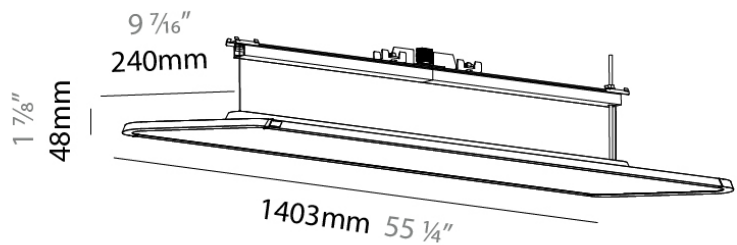
Delivered Lumen Range: 3000 - 4999 lm
 Color Temperature (°K): 3000 / 3500 / 4000
 Max. Delivered Lumen (lm): 3911 / 3907 / 3987
 Nominal Lumen (lm): 4976 / 4971 / 5072
 CRI: >90 CRI
 Lamp Life (hrs): 50000

OPTICAL

Beam Angle: 90
 Adjustability: Fixed

RATINGS AND CERTIFICATIONS

Certified By: Certified for North American Standards
 IP rating: IP20



A3HY40-SUS-SYS COMPONENTS

A380564-

DESCRIPTION

Hadi Q Suspended - Insert 1403mm / 55 1/4" x 240mm / 9 7/16"
 for Hypro 40 Suspension - Direct / Indirect - 78W LED - 3000K /
 3500K / 4000K - CRI 90 - Non-Dimming

GENERAL

Series: Hadi
 Subseries: Hadi-Q Suspended
 Partner: Prolicht
 Division: Architectural
 Light Distribution: Direct

PHYSICAL

Shape: Round
 Length (mm): 1403
 Length (in): 55 1/4
 Width (mm): 240
 Width (in): 9 7/16
 Height (mm): 48
 Height (in): 1 7/8
 Fixture Finish: SSR / BKV / CWI / CRY / HAB / UFT / ITA / RUA / FTG /
 MYG / LOD / PUS / FRO / FUP / KIA / POP / BLS / SPG / MEY / GOH /
 CHC / COM / ABZ / JAG / OBR / MOS / ROR
 Fixture Material: Extruded Aluminum / Steel
 Cable Details: 2,000mm or 6,000mm Transparent Cable

ELECTRICAL

Input Wattage Range: 50 - 79 W
 Lamp Type: LED (Zhaga Standard)
 Input Wattage (W): 78
 Total Output Wattage (W): 70.9
 Dimming: Non-Dimmable / 0-10V Dimming
 Driver Included: Yes
 Driver Location: Integrated
 Driver Type: Constant Current - Universal
 Driver Class: Class 2
 Input Voltage (V): 120 - 277

LED

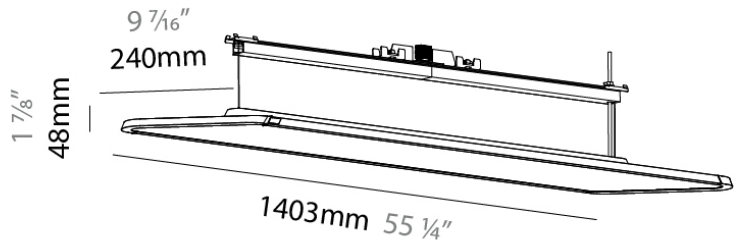
Delivered Lumen Range: 3000 - 4999 lm
 Color Temperature (°K): 3000 / 3500 / 4000
 Max. Delivered Lumen (lm): 3911 / 3907 / 3987
 Nominal Lumen (lm): 4976 / 4971 / 5072
 CRI: >90 CRI
 Lamp Life (hrs): 50000

OPTICAL

Beam Angle: 90
 Adjustability: Fixed

RATINGS AND CERTIFICATIONS

Certified By: Certified for North American Standards
 IP rating: IP20



PROJECT
TYPE
NOTES
QUANTITY
DATE

A3HY40-SUS-SYS COMPONENTS

A380568-

DESCRIPTION

Hadi-M Surface - Insert 1242mm / 48 7/8" x 240mm / 9 7/16" for
Hypro 40 Suspension - Direct - 37W LED - 3000K / 3500K / 4000K
- CRI 90 - Non-Dimming

GENERAL

Series: Hadi
Subseries: Hadi-M Surface
Partner: Prolicht
Division: Architectural
Light Distribution: Direct

PHYSICAL

Shape: Round
Length (mm): 1242
Length (in): 48 7/8
Width (mm): 240
Width (in): 9 7/16
Height (mm): 48
Height (in): 1 7/8
Fixture Finish: SSR / BKV / CWI / CRY / HAB / UFT / ITA / RUA / FTG /
MYG / LOD / PUS / FRO / FUP / KIA / POP / BLS / SPG / MEY / GOH /
CHC / COM / ABZ / JAG / OBR / MOS / ROR
Fixture Material: Extruded Aluminum / Steel
Cable Details: 2,000mm or 6,000mm Transparent Cable

ELECTRICAL

Input Wattage Range: 30 - 49 W
Lamp Type: LED (Zhaga Standard)
Input Wattage (W): 37
Total Output Wattage (W): 33.6
Dimming: Tri-Mode (Non-Dimming and Phase Dimming (120Vac
only) and 0-10V Dimming)
Driver Included: Yes
Driver Location: Integrated
Driver Type: Constant Current - Universal
Driver Class: Class 2
Input Voltage (V): 120 - 277
Constant Current (mA): 900

LED

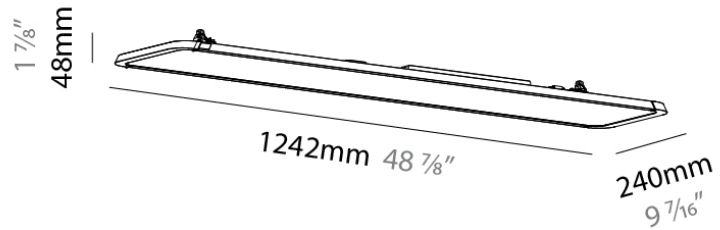
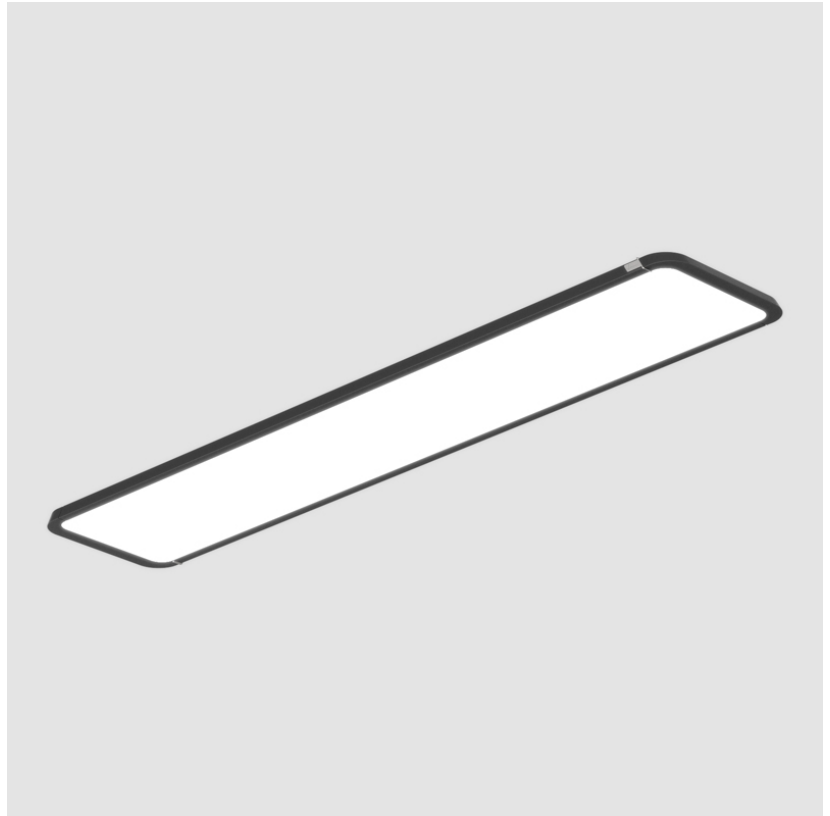
Delivered Lumen Range: 3000 - 4999 lm
Color Temperature (°K): 3000 / 3500 / 4000
Max. Delivered Lumen (lm): 4269 / 4265 / 4352
Nominal Lumen (lm): 4796 / 4971 / 5072
CRI: >90 CRI
Lamp Life (hrs): 50000

OPTICAL

Beam Angle: 90
Adjustability: Fixed

RATINGS AND CERTIFICATIONS

Certified By: Certified for North American Standards
IP rating: IP20



PROJECT
TYPE
NOTES
QUANTITY
DATE

A3HY40-SUS-SYS COMPONENTS

A380572-

DESCRIPTION

Hadi-M Surface - Insert 1242mm / 48 7/8" x 240mm / 9 7/16" for Hypro 40 Suspension - Direct / Indirect - 78W LED - 3000K / 3500K / 4000K - CRI 90 - Non-Dimming

GENERAL

Series: Hadi
 Subseries: Hadi-M Surface
 Partner: Prolicht
 Division: Architectural
 Light Distribution: Direct

PHYSICAL

Shape: Round
 Length (mm): 1242
 Length (in): 48 7/8
 Width (mm): 240
 Width (in): 9 7/16
 Height (mm): 48
 Height (in): 1 7/8
 Fixture Finish: SSR / BKV / CWI / CRY / HAB / UFT / ITA / RUA / FTG / MYG / LOD / PUS / FRO / FUP / KIA / POP / BLS / SPG / MEY / GOH / CHC / COM / ABZ / JAG / OBR / MOS / ROR
 Fixture Material: Extruded Aluminum / Steel
 Cable Details: 2,000mm or 6,000mm Transparent Cable

ELECTRICAL

Input Wattage Range: 50 - 79 W
 Lamp Type: LED (Zhaga Standard)
 Input Wattage (W): 78
 Total Output Wattage (W): 70.9
 Dimming: Non-Dimmable / 0-10V Dimming
 Driver Included: Yes
 Driver Location: Integrated
 Driver Type: Constant Current - Universal
 Driver Class: Class 2
 Input Voltage (V): 120 - 277
 Constant Current (MA): 225mA

LED

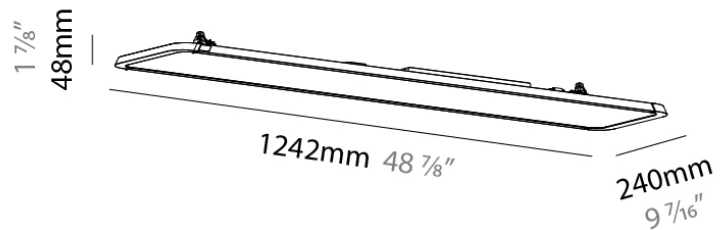
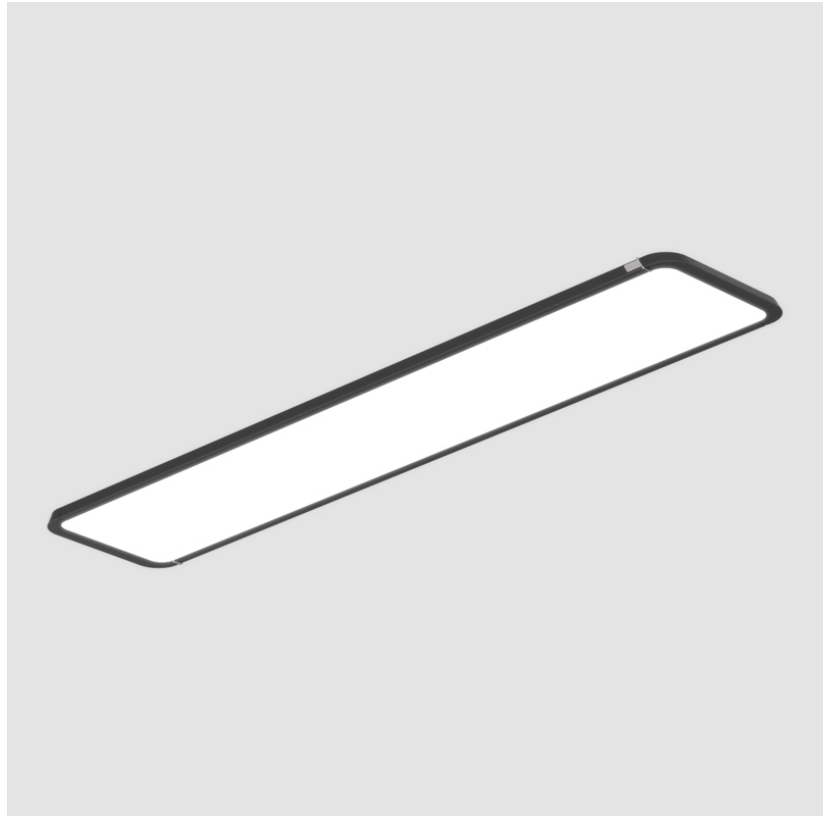
Delivered Lumen Range: 5000 - 9999 lm
 Color Temperature (°K): 3000 / 3500 / 4000
 Max. Delivered Lumen (lm): 5998 / 5997 / 6119
 Nominal Lumen (lm): 9801 / 9799 / 9999
 CRI: >90 CRI
 Lamp Life (hrs): 50000

OPTICAL

Beam Angle: 90
 Adjustability: Fixed

RATINGS AND CERTIFICATIONS

Certified By: Certified for North American Standards
 IP rating: IP20



A3HY40-SUS-SYS COMPONENTS

A380576-

DESCRIPTION

Hadi Q Surface - Insert 1403mm / 55 1/4" x 240mm / 9 7/16" for
 Hypro 40 Suspension - Direct - 37W LED - 3000K / 3500K / 4000K
 - CRI 90 - Non-Dimming

GENERAL

Series: Hadi
 Subseries: Hadi-Q Surface
 Partner: Prolicht
 Division: Architectural
 Light Distribution: Direct

PHYSICAL

Shape: Round
 Length (mm): 1403
 Length (in): 55 1/4
 Width (mm): 240
 Width (in): 9 7/16
 Height (mm): 48
 Height (in): 1 7/8
 Fixture Finish: SSR / BKV / CWI / CRY / HAB / UFT / ITA / RUA / FTG /
 MYG / LOD / PUS / FRO / FUP / KIA / POP / BLS / SPG / MEY / GOH /
 CHC / COM / ABZ / JAG / OBR / MOS / ROR
 Fixture Material: Extruded Aluminum / Steel
 Cable Details: 2,000mm or 6,000mm Transparent Cable

ELECTRICAL

Input Wattage Range: 30 - 49 W
 Lamp Type: LED (Zhaga Standard)
 Input Wattage (W): 37
 Total Output Wattage (W): 33.6
 Dimming: Tri-Mode (Non-Dimming and Phase Dimming (120Vac
 only) and 0-10V Dimming)
 Driver Included: Yes
 Driver Location: Integrated
 Driver Type: Constant Current - Universal
 Driver Class: Class 2
 Input Voltage (V): 120 - 277
 Constant Current (MA): 900

LED

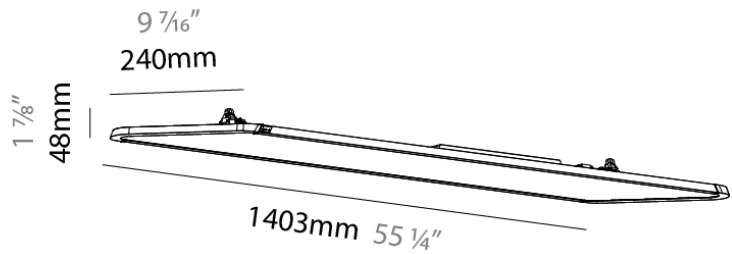
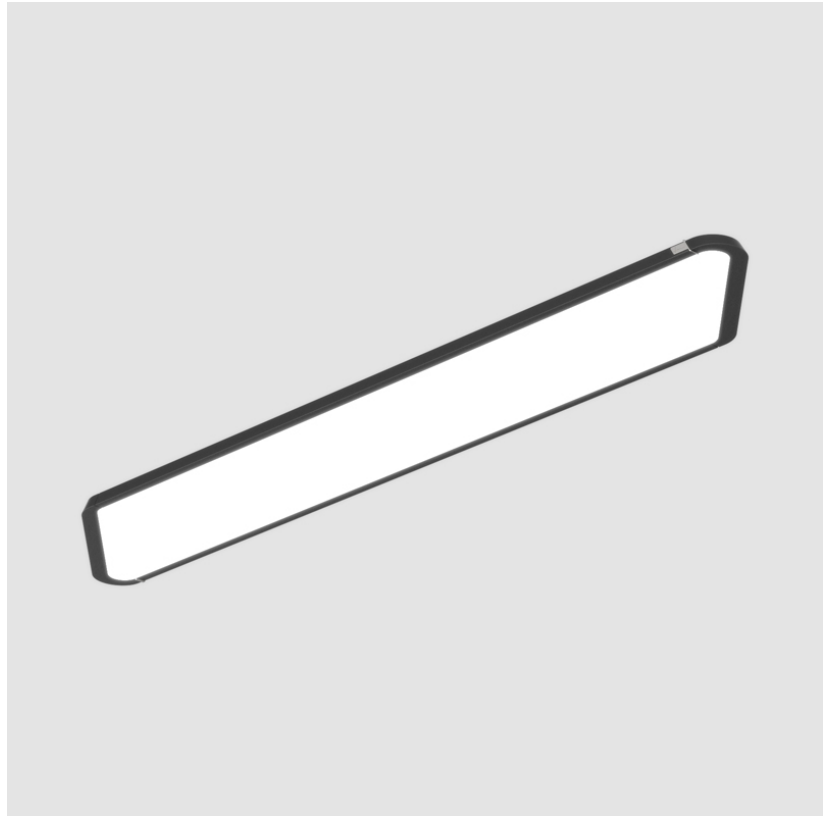
Delivered Lumen Range: 3000 - 4999 lm
 Color Temperature (°K): 3000 / 3500 / 4000
 Max. Delivered Lumen (lm): 3911 / 3907 / 3987
 Nominal Lumen (lm): 4976 / 4971 / 5072
 CRI: >90 CRI
 Lamp Life (hrs): 50000

OPTICAL

Beam Angle: 90
 Adjustability: Fixed

RATINGS AND CERTIFICATIONS

Certified By: Certified for North American Standards
 IP rating: IP20



PROJECT
TYPE
NOTES
QUANTITY
DATE

A3HY40-SUS-SYS COMPONENTS

A380580-

DESCRIPTION

Hadi Q Surface - Insert 1403mm / 55 1/4" x 240mm / 9 7/16" for Hypro 40 Suspension - Direct / Indirect - 78W LED - 3000K / 3500K / 4000K - CRI 90 - Non-Dimming

GENERAL

Series: Hadi
 Subseries: Hadi-Q Surface
 Partner: Prolicht
 Division: Architectural
 Light Distribution: Direct

PHYSICAL

Shape: Round
 Length (mm): 1403
 Length (in): 55 1/4
 Width (mm): 240
 Width (in): 9 7/16
 Height (mm): 48
 Height (in): 1 7/8
 Fixture Finish: SSR / BKV / CWI / CRY / HAB / UFT / ITA / RUA / FTG / MYG / LOD / PUS / FRO / FUP / KIA / POP / BLS / SPG / MEY / GOH / CHC / COM / ABZ / JAG / OBR / MOS / ROR
 Fixture Material: Extruded Aluminum / Steel
 Cable Details: 2,000mm or 6,000mm Transparent Cable

ELECTRICAL

Input Wattage Range: 50 - 79 W
 Lamp Type: LED (Zhaga Standard)
 Input Wattage (W): 78
 Total Output Wattage (W): 70.9
 Dimming: Non-Dimmable / 0-10V Dimming
 Driver Included: Yes
 Driver Location: Integrated
 Driver Type: Constant Current - Universal
 Driver Class: Class 2
 Input Voltage (V): 120 - 277
 Constant Current (MA): 225mA

LED

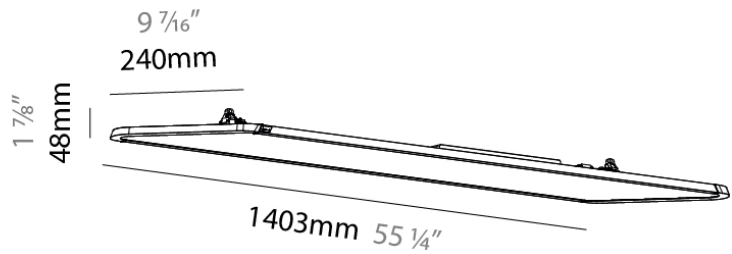
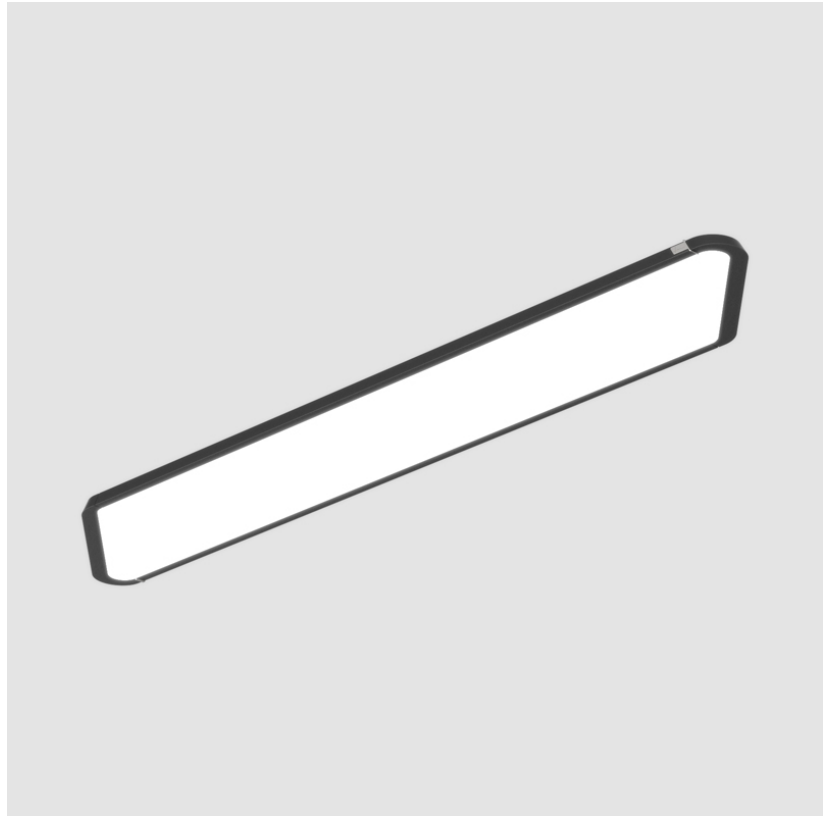
Delivered Lumen Range: 5000 - 9999 lm
 Color Temperature (°K): 3000 / 3500 / 4000
 Max. Delivered Lumen (lm): 5783 / 5781 / 5899
 Nominal Lumen (lm): 9801 / 9799 / 9999
 CRI: >90 CRI
 Lamp Life (hrs): 50000

OPTICAL

Beam Angle: 90
 Adjustability: Fixed

RATINGS AND CERTIFICATIONS

Certified By: Certified for North American Standards
 IP rating: IP20



PROJECT
TYPE
NOTES
QUANTITY
DATE

A3HY40-SUS-SYS COMPONENTS

A38063-

DESCRIPTION

HYPRO 40 - Insert with PLUG-Cable in 2/4M 500mA max22W - Non - Dimming / 0-10V Dimming

GENERAL

Series: Hypro
 Subseries: Hypro 40-X
 Partner: Prolicht
 Division: Architectural

PHYSICAL

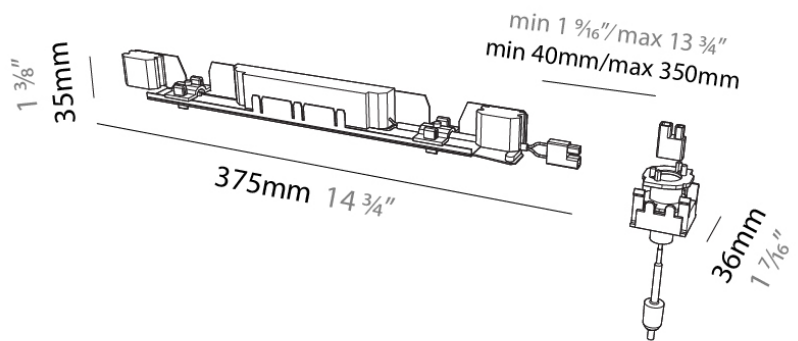
Length (mm): 375
 Length (in): 14 3/4
 Width (mm): 36
 Width (in): 1 1/16
 Height (mm): 35
 Height (in): 1 3/8
 Fixture Material: Aluminum

ELECTRICAL

Input Wattage Range: 10 - 19 W
 Lamp Type: LED
 Dimming: Non-Dimmable / 0-10V Dimming
 Driver Included: Yes
 Driver Location: Integrated
 Driver Type: Constant Current - Universal
 Driver Class: Class 2
 Input Voltage (V): 120 - 277

RATINGS AND CERTIFICATIONS

Certified By: Certified for North American Standards
 IP rating: IP20



A3HY40-SUS-SYS COMPONENTS

PROJECT	_____
TYPE	_____
NOTES	_____
QUANTITY	_____
DATE	_____

A38870

DESCRIPTION

Idaho / Hypro 40 Recessed System Linear Coupler

GENERAL

Partner: Prolight

Division: Architectural

PHYSICAL

Shape: Rectangle

Length (mm): 150

Length (in): 5 ⁷/₈

Width (mm): 35

Width (in): 1 ³/₈

Height (mm): 33

Height (in): 1 ⁵/₁₆

Weight (kg): 0.167

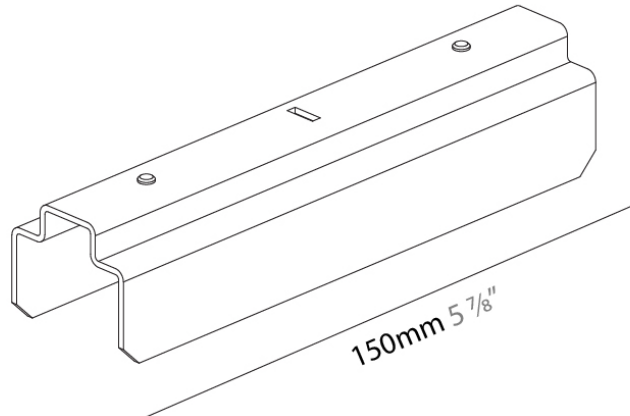
Weight (lbs): 0.37

Fixture Material: Aluminum

RATINGS AND CERTIFICATIONS

Certified By: Certified for North American Standards

IP rating: IP20



A3HY40-SUS-SYS COMPONENTS

PROJECT

TYPE

NOTES

QUANTITY

DATE

A38876

DESCRIPTION

Idaho / Hypro 40 Recessed System Central Feed

GENERAL

Partner: Prolight

Division: Architectural

PHYSICAL

Length (mm): 31

Length (in): 1 ¼

Width (mm): 27

Width (in): 1 ⅛

Height (mm): 45

Height (in): 1 ¾

Weight (kg): 0.046

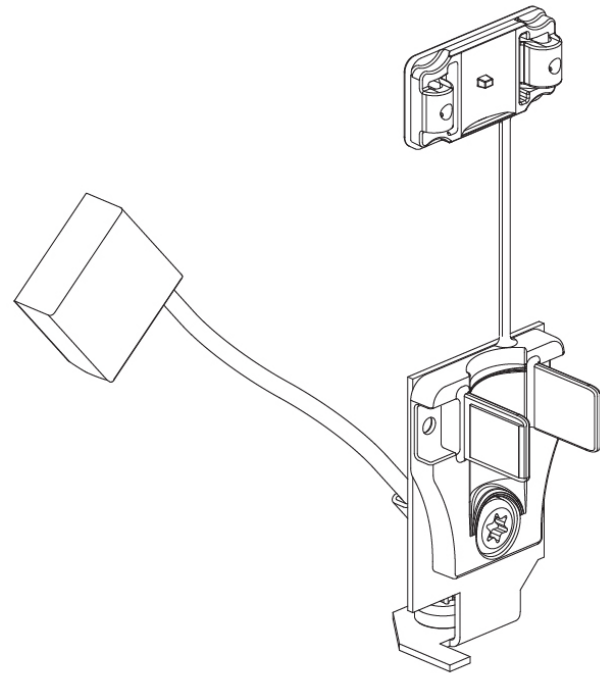
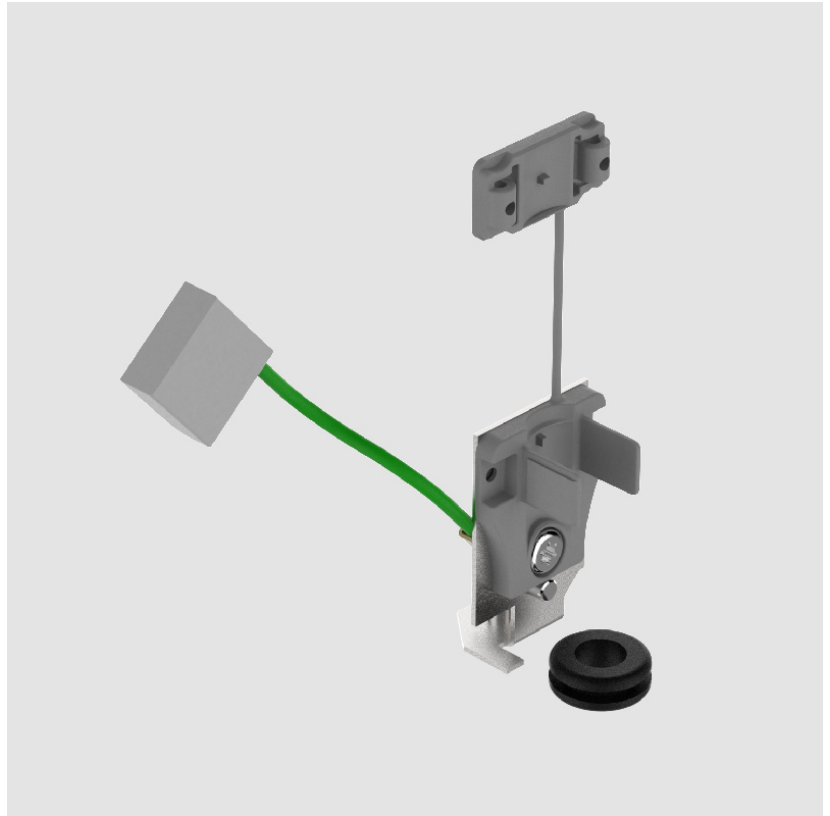
Weight (lbs): 0.10

Fixture Material: Aluminum

RATINGS AND CERTIFICATIONS

Certified By: Certified for North American Standards

IP rating: IP20



PROJECT	_____
TYPE	_____
NOTES	_____
QUANTITY	_____
DATE	_____

A3HY40-SUS-SYS COMPONENTS

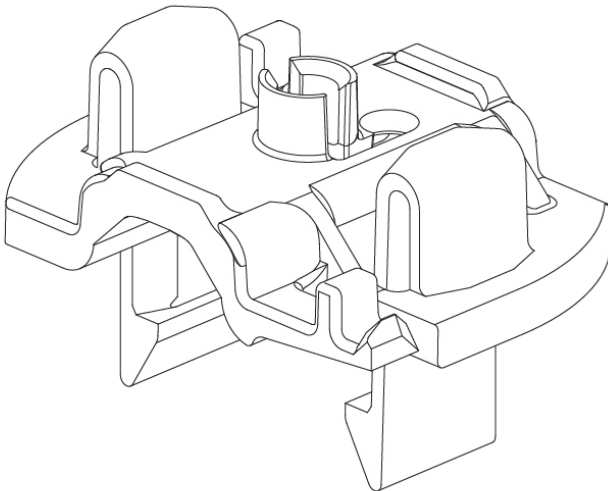
A38877

DESCRIPTION
Idaho / Hypro 40 Recessed System - Cable Holder

GENERAL
Partner: Prolicht
Division: Architectural

PHYSICAL
Length (mm): 25
Length (in): 1
Width (mm): 36
Width (in): 1 7/16
Height (mm): 22
Height (in): 7/8
Weight (kg): 0.004
Weight (lbs): 0.008
Fixture Material: Aluminum

RATINGS AND CERTIFICATIONS
Certified By: Certified for North American Standards
IP rating: IP20



A3HY40-SUS-SYS COMPONENTS

PROJECT

TYPE

NOTES

QUANTITY

DATE

A38880

DESCRIPTION

Idaho 40 / Hypro 40 - System - 705mm Opal Diffuser

GENERAL

Partner: Prolicht

Division: Architectural

PHYSICAL

Shape: Rectangle

Length (mm): 705

Length (in): 27 ³/₄

Width (mm): 35

Width (in): 1 ³/₈

Height (mm): 28

Height (in): 1 ¹/₈

Weight (kg): 0.138

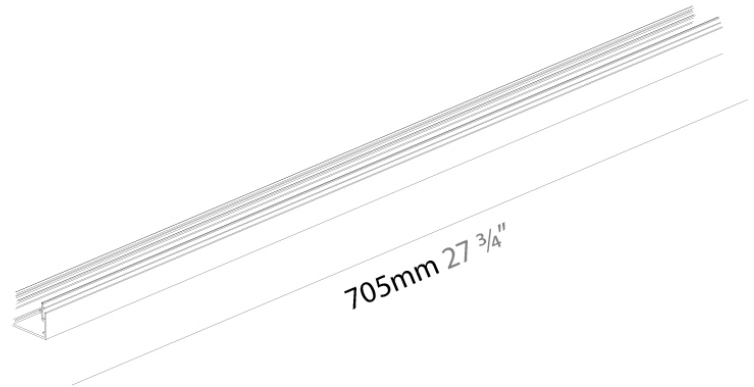
Weight (lbs): 0.3

Diffuser: PMMA - Opal

RATINGS AND CERTIFICATIONS

Certified By: Certified for North American Standards

IP rating: IP20



(l+30mm) x 43mm
(l+ 1 ³/₁₆") x 1 ¹¹/₁₆"



100mm
3 ¹⁵/₁₆"



10mm | 25mm
³/₈" | 1"



A

A3HY40-SUS-SYS COMPONENTS

PROJECT	
TYPE	
NOTES	
QUANTITY	
DATE	

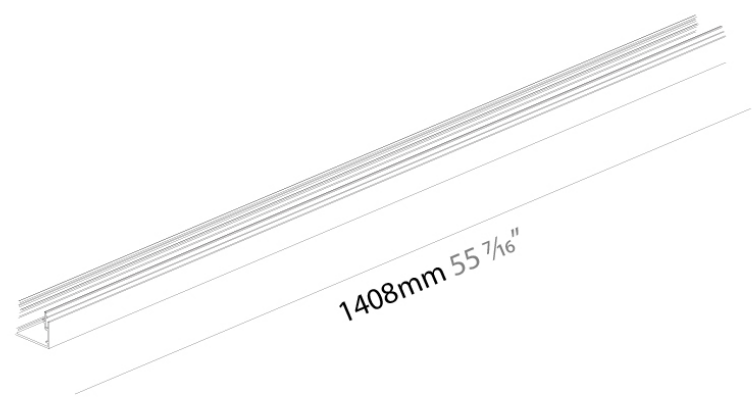
A38881

DESCRIPTION
Idaho / Hypro 40 System - 1408mm Opal Diffuser

GENERAL
Partner: Prolicht
Division: Architectural

PHYSICAL
Shape: Rectangle
Length (mm): 1408
Length (in): 55 ⁷/₁₆
Width (mm): 35
Width (in): 1 ³/₈
Height (mm): 28
Height (in): 1 ³/₈
Weight (kg): 0.276
Weight (lbs): 0.61

RATINGS AND CERTIFICATIONS
Certified By: Certified for North American Standards
IP rating: IP20



PROJECT
TYPE
NOTES
QUANTITY
DATE

A3HY40-SUS-SYS COMPONENTS

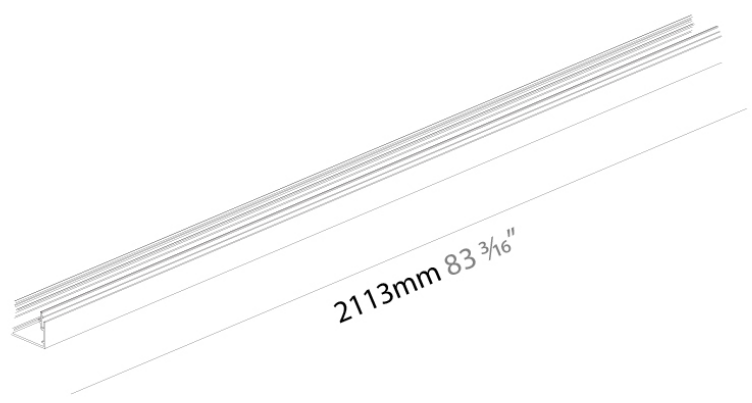
A38882

DESCRIPTION
Idaho 40 / Hypro 40 - System - 2113mm Opal Diffuser

GENERAL
Partner: Prolicht
Division: Architectural

PHYSICAL
Shape: Rectangle
Length (mm): 2113
Length (in): 83 ³/₁₆
Width (mm): 35
Width (in): 1 ³/₈
Height (mm): 28
Height (in): 1 ³/₈
Weight (kg): 0.41
Weight (lbs): 0.9

RATINGS AND CERTIFICATIONS
Certified By: Certified for North American Standards
IP rating: IP20



A3HY40-SUS-SYS COMPONENTS

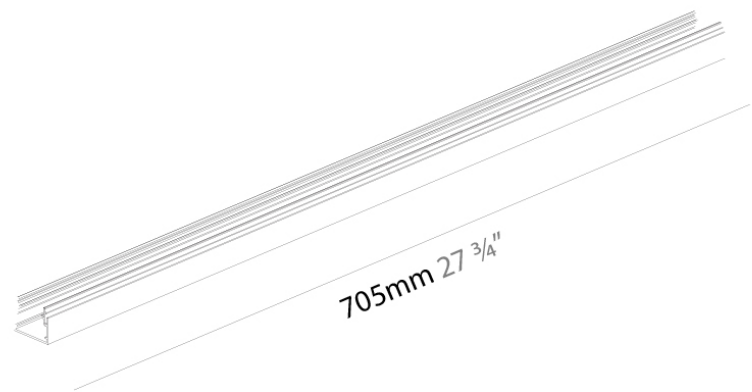
A38884

DESCRIPTION
 Idaho 40 / Hypro 40 - Recessed System - 705mm Micro Prism Diffuser

GENERAL
 Partner: Prolight _____
 Division: Architectural _____

PHYSICAL
 Shape: Rectangle _____
 Length (mm): 705 _____
 Length (in): 27 3/4 _____
 Width (mm): 35 _____
 Width (in): 1 3/8 _____
 Height (mm): 28 _____
 Height (in): 1 1/8 _____
 Weight (kg): 0.2 _____
 Weight (lbs): 0.44 _____
 Diffuser: PMMA - Micro-Prism _____

RATINGS AND CERTIFICATIONS
 Certified By: Certified for North American Standards _____
 IP rating: IP20 _____



A3HY40-SUS-SYS COMPONENTS

A38885

DESCRIPTION

Idaho 40 / Hypro 40 - Recessed System - 1408mm Micro Prism Diffuser

GENERAL

Partner: Prolight

Division: Architectural

PHYSICAL

Shape: Rectangle

Length (mm): 1408

Length (in): 55 ⁷/₁₆

Width (mm): 35

Width (in): 1 ³/₈

Height (mm): 28

Height (in): 1 ³/₈

Weight (kg): 0.4

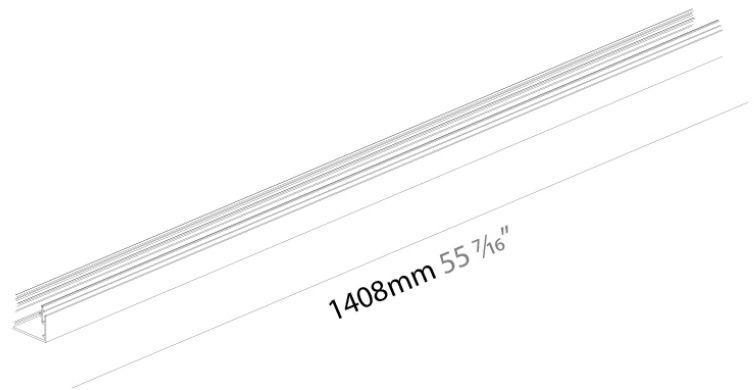
Weight (lbs): 0.88

Diffuser: PMMA - Micro-Prism

RATINGS AND CERTIFICATIONS

Certified By: Certified for North American Standards

IP rating: IP20



(l+30mm) x 43mm
(l+ 1 ³/₁₆") x 1 ¹¹/₁₆"

100mm
3 ¹⁵/₁₆"

10mm | 25mm
³/₈" | 1"



PROJECT
TYPE
NOTES
QUANTITY
DATE

A3HY40-SUS-SYS COMPONENTS

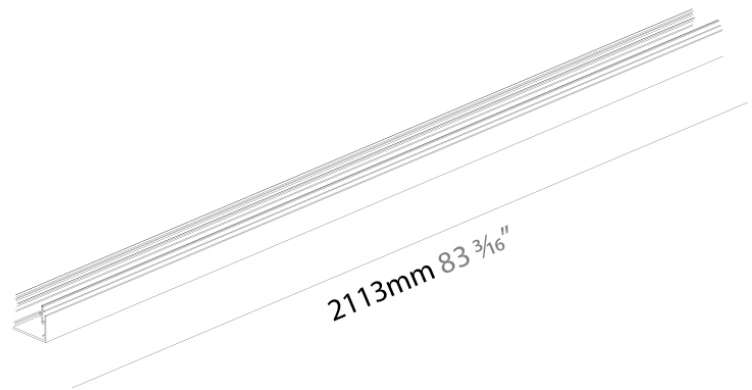
A38886

DESCRIPTION
 Idaho 40 / Hypro 40 - Recessed System - 2113mm Micro Prism Diffuser

GENERAL
 Partner: Prolight
 Division: Architectural

PHYSICAL
 Shape: Rectangle
 Length (mm): 2113
 Length (in): 83 ³/₁₆
 Width (mm): 35
 Width (in): 1 ³/₈
 Height (mm): 28
 Height (in): 1 ³/₈
 Weight (kg): 0.599
 Weight (lbs): 1 5/16
 Diffuser: PMMA - Micro-Prism

RATINGS AND CERTIFICATIONS
 Certified By: Certified for North American Standards
 IP rating: IP20



PROJECT	
TYPE	
NOTES	
QUANTITY	
DATE	

A3HY40-SUS-SYS COMPONENTS

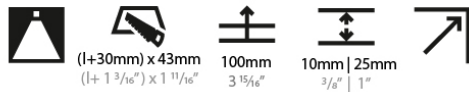
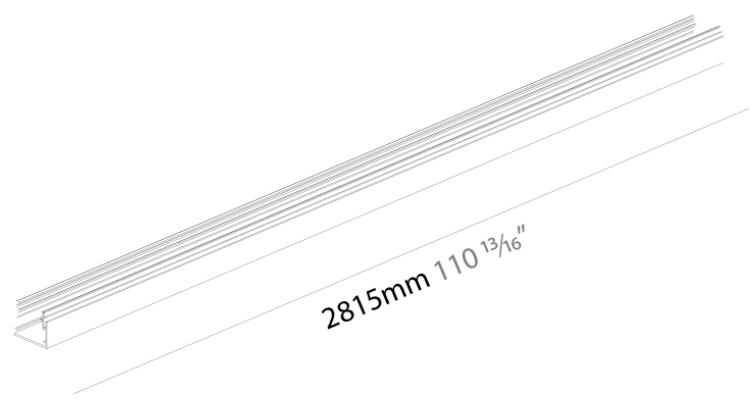
A38887

DESCRIPTION
 Idaho 40 / Hypro 40 - Recessed System - 2815mm Micro Prism Diffuser

GENERAL
 Partner: Prolight
 Division: Architectural

PHYSICAL
 Length (mm): 2815
 Length (in): 110 ¹³/₁₆
 Width (mm): 35
 Width (in): 1 ³/₈
 Height (mm): 28
 Height (in): 1 ³/₈
 Weight (kg): 0.798
 Weight (lbs): 1.76
 Diffuser: PMMA - Micro-Prism

RATINGS AND CERTIFICATIONS
 Certified By: Certified for North American Standards
 IP rating: IP20



PROJECT	
TYPE	
NOTES	
QUANTITY	
DATE	

A3HY40-SUS-SYS COMPONENTS

A38888

DESCRIPTION

Hypro 40 - Recessed System - Rico Cover - 705mm - Transparent / Black

GENERAL

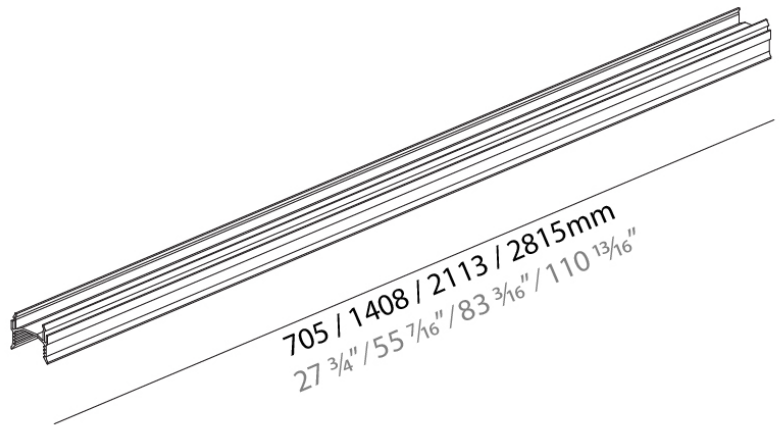
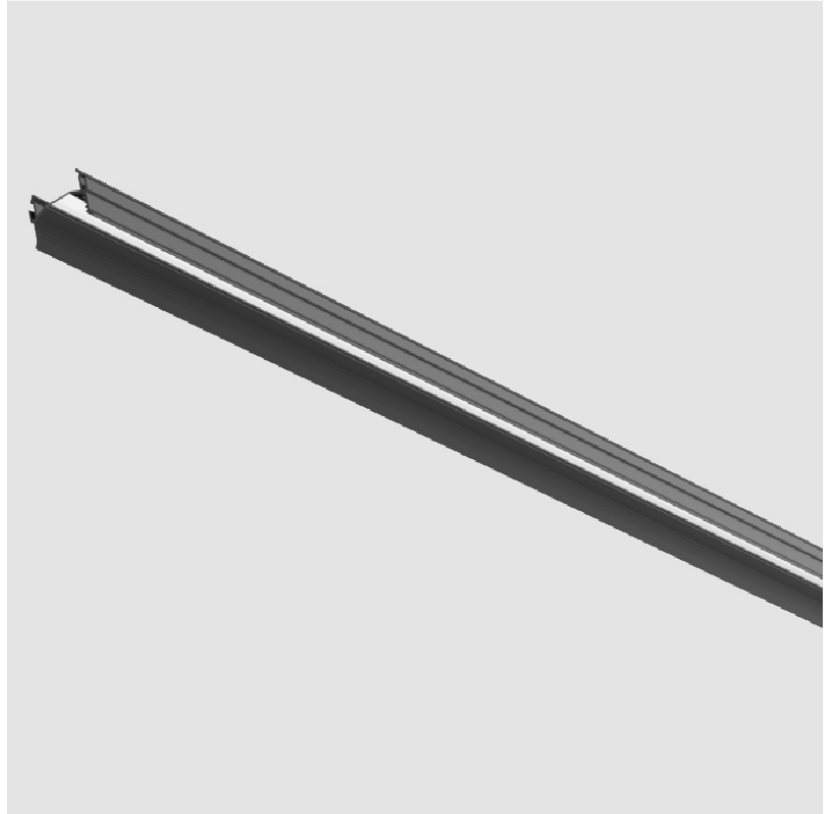
Series: Hypro
 Subseries: Hypro 40
 Partner: Prolicht
 Division: Architectural

PHYSICAL

Shape: Rectangle
 Length (mm): 705
 Length (in): 27 ³/₄
 Width (mm): 35
 Width (in): 1 ³/₈
 Height (mm): 28
 Height (in): 1 ¹/₈
 Weight (kg): 0.138
 Weight (lbs): 0.304
 Diffuser: PMMA - Transparent / Black

RATINGS AND CERTIFICATIONS

Certified By: Certified for North American Standards
 IP rating: IP20



PROJECT	
TYPE	
NOTES	
QUANTITY	
DATE	

A3HY40-SUS-SYS COMPONENTS

A38889

DESCRIPTION

Idaho 40 / Hypro 40 - Rico LED (Zhaga Standard) Cover - 1408mm - Transparent

GENERAL

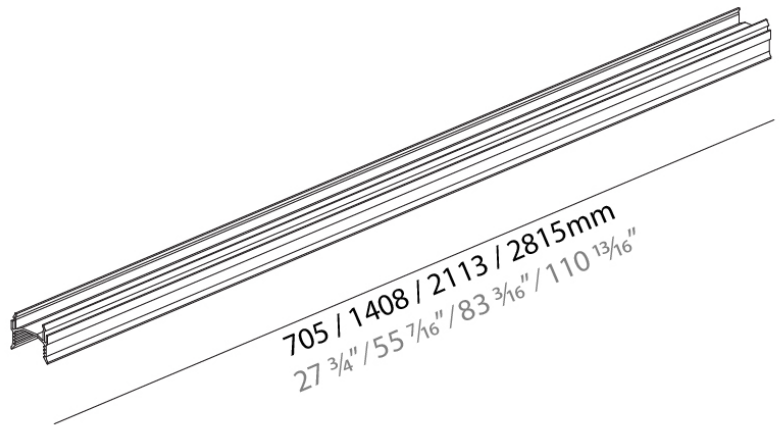
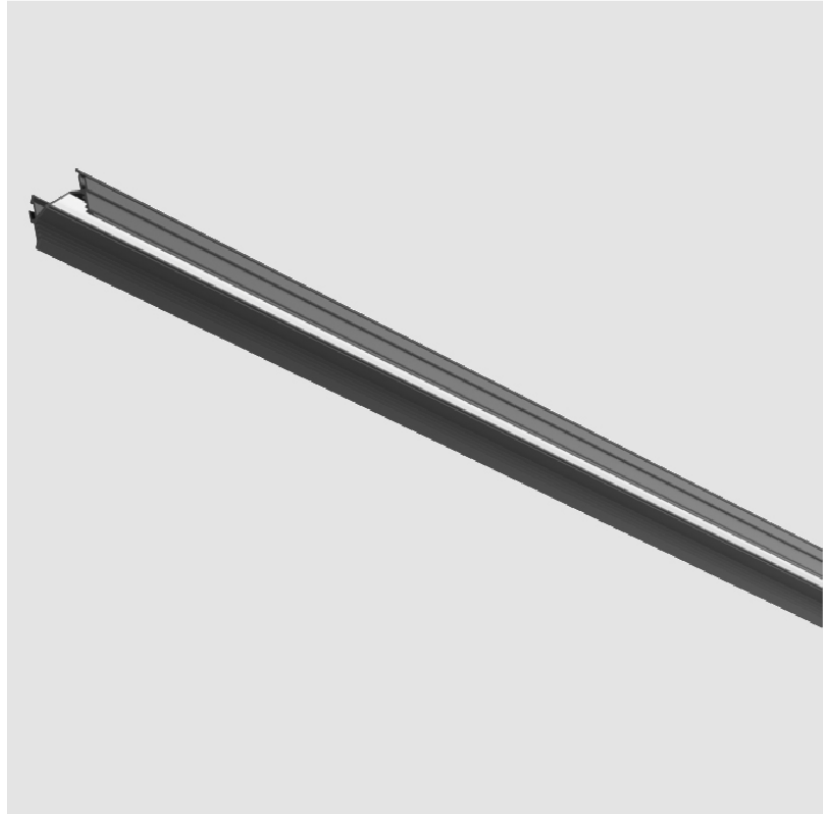
Series: Hypro
 Subseries: Hypro 40
 Partner: Prolight
 Division: Architectural

PHYSICAL

Shape: Rectangle
 Length (mm): 1408
 Length (in): 55 ⁷/₁₆
 Width (mm): 35
 Width (in): 1 ³/₈
 Height (mm): 28
 Height (in): 1 ¹/₈
 Weight (kg): 0.276
 Weight (lbs): 0.608
 Diffuser: PMMA - Transparent

RATINGS AND CERTIFICATIONS

Certified By: Certified for North American Standards
 IP rating: IP20



PROJECT	
TYPE	
NOTES	
QUANTITY	
DATE	

A3HY40-SUS-SYS COMPONENTS

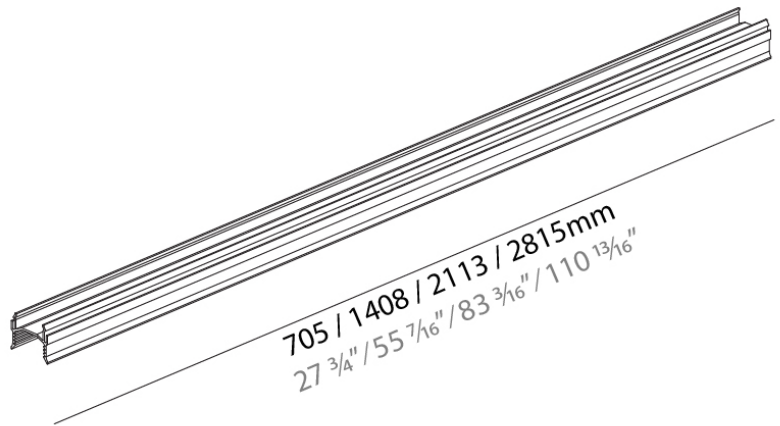
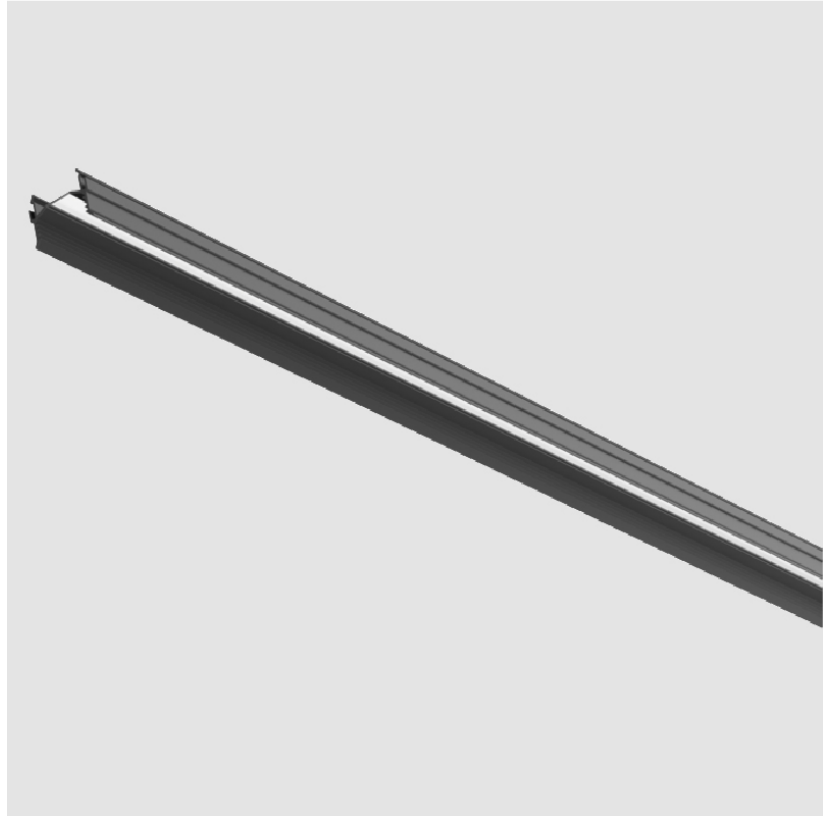
A38890

DESCRIPTION
Idaho 40 / Hypro 40 - Recessed System - 2113mm Clear Cover

GENERAL
Series: Hypro
Subseries: Hypro 40
Partner: Prolicht
Division: Architectural

PHYSICAL
Shape: Rectangle
Length (mm): 2113
Length (in): 83 ³/₁₆
Width (mm): 35
Width (in): 1 ³/₈
Height (mm): 28
Height (in): 1 ¹/₈
Weight (kg): 0.414
Weight (lbs): 0.913

RATINGS AND CERTIFICATIONS
Certified By: Certified for North American Standards
IP rating: IP20



PROJECT	
TYPE	
NOTES	
QUANTITY	
DATE	

A3HY40-SUS-SYS COMPONENTS

A38891

DESCRIPTION

Idaho 40 / Hypro 40 - Recessed System - 2815mm Clear Cover

GENERAL

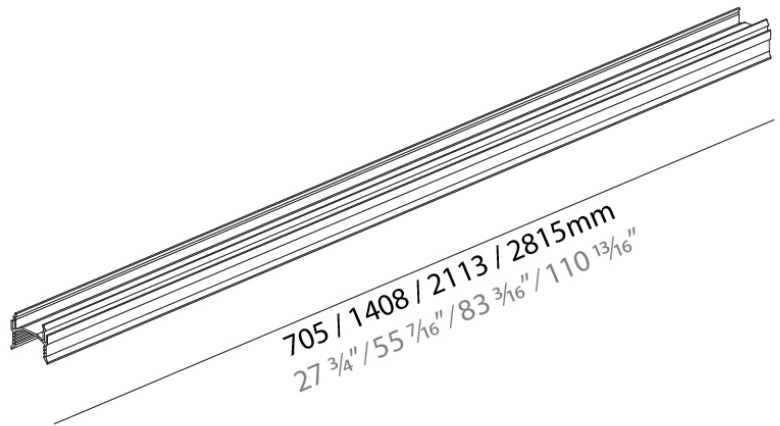
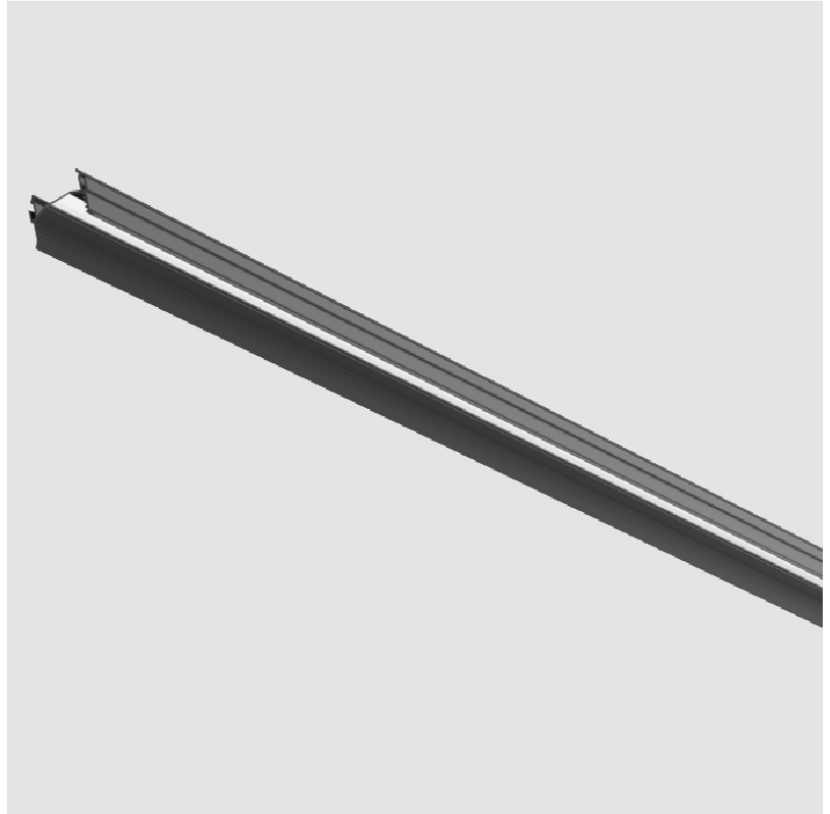
Series: Hypro
 Subseries: Hypro 40
 Partner: Prolicht
 Division: Architectural

PHYSICAL

Shape: Rectangle
 Length (mm): 2815
 Length (in): 110 ¹³/₁₆
 Width (mm): 35
 Width (in): 1 ³/₈
 Height (mm): 28
 Height (in): 1 ¹/₈
 Weight (kg): 0.551
 Weight (lbs): 1.215
 Diffuser: PMMA - Transparent

RATINGS AND CERTIFICATIONS

Certified By: Certified for North American Standards
 IP rating: IP20



PROJECT
TYPE
NOTES
QUANTITY
DATE

A3HY40-SUS-SYS COMPONENTS

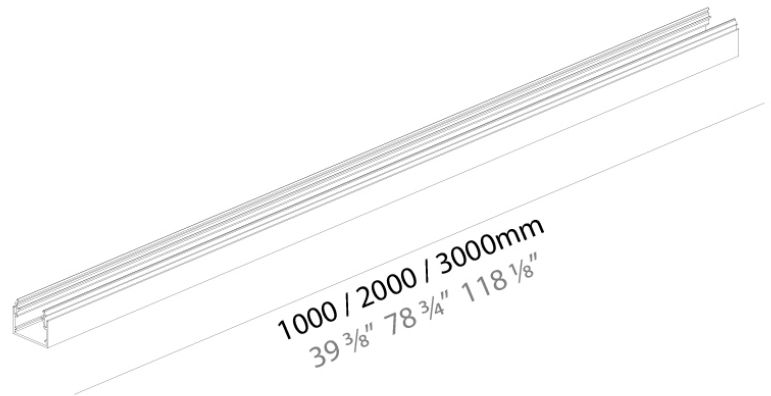
A38892

DESCRIPTION
Idaho / Hypro 40 Recessed System - 1000mm Black Cover

GENERAL
Series: Hypro
Subseries: Hypro 40
Partner: Prolicht
Division: Architectural

PHYSICAL
Shape: Rectangle
Length (mm): 1000
Length (in): 39 3/8
Width (mm): 35
Width (in): 1 3/8
Height (mm): 28
Height (in): 1 1/8
Weight (kg): 0.194
Weight (lbs): 0.428
Fixture Material: Aluminum

RATINGS AND CERTIFICATIONS
Certified By: Certified for North American Standards
IP rating: IP20



PROJECT
TYPE
NOTES
QUANTITY
DATE

A3HY40-SUS-SYS COMPONENTS

A38893

DESCRIPTION

Idaho / Hypro 40 Recessed System - 2000mm Black Cover

GENERAL

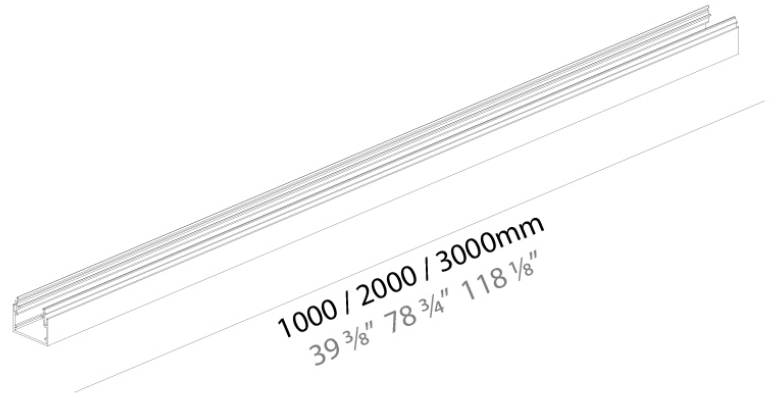
Series: Hypro
 Subseries: Hypro 40
 Partner: Prolicht
 Division: Architectural

PHYSICAL

Shape: Rectangle
 Length (mm): 2000
 Length (in): 78 3/4
 Width (mm): 35
 Width (in): 1 3/8
 Height (mm): 28
 Height (in): 1 1/8
 Weight (kg): 0.392
 Weight (lbs): 0.86
 Fixture Material: Aluminum

RATINGS AND CERTIFICATIONS

Certified By: Certified for North American Standards
 IP rating: IP20



PROJECT	
TYPE	
NOTES	
QUANTITY	
DATE	

A3HY40-SUS-SYS COMPONENTS

A38894

DESCRIPTION

Idaho / Hypro 40 Recessed System - 3000mm Black Cover

GENERAL

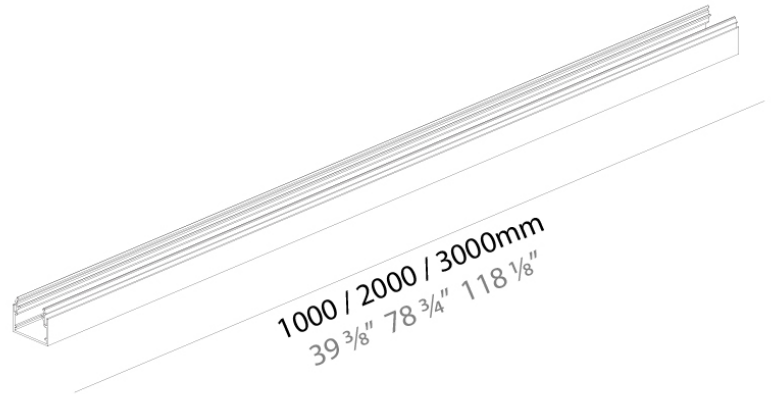
Series: Hypro
 Subseries: Hypro 40
 Partner: Prolicht
 Division: Architectural

PHYSICAL

Shape: Rectangle
 Length (mm): 3000
 Length (in): 118 1/8
 Width (mm): 35
 Width (in): 1 3/8
 Height (mm): 28
 Height (in): 1 1/8
 Weight (kg): 0.588
 Weight (lbs): 1.3
 Fixture Material: Aluminum

RATINGS AND CERTIFICATIONS

Certified By: Certified for North American Standards
 IP rating: IP20



PROJECT
TYPE
NOTES
QUANTITY
DATE

A3HY40-SUS-SYS COMPONENTS RECESSED

A38895-

DESCRIPTION

Idaho 40 / Hypro 40 - Recessed System - Korona Aluminium Profile per meter - Max 3000mm / 118 1/8"

GENERAL

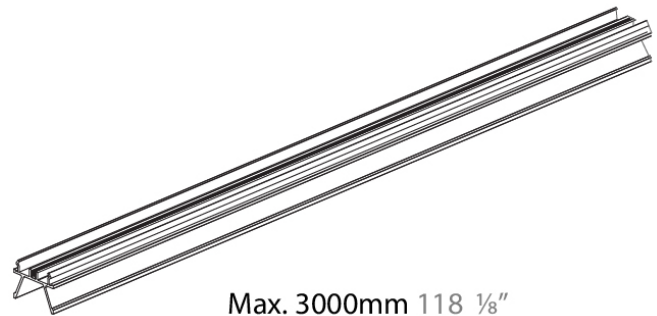
Series: Hypro
 Subseries: Hypro 40
 Partner: Prolicht
 Division: Architectural
 Installation: Recessed
 Product Type: Linear Profiles
 Mounting Location: Ceiling

PHYSICAL

Shape: Rectangle
 Length (mm): Max. 3000
 Length (in): 118 1/8
 Width (mm): 35.2
 Width (in): 1 3/8
 Height (mm): 27.4
 Height (in): 1 1/16
 Weight (kg): 0.237
 Weight (lbs): 0.52
 Fixture Finish: ANA / SSR / BKV / CWI / CRY / HAB / MSR / UFT / ITA / RUA / OGR / FTG / MYG / RWR / LOD / PUS / FRO / FUP / KIA / POP / BLS / SPG / MEY / GOH / CHC / COM / ABZ / JAG / OBR / MOS / ROR
 Fixture Material: Aluminum

RATINGS AND CERTIFICATIONS

Certified By: Certified for North American Standards
 IP rating: IP20



A3HY40-SUS-SYS COMPONENTS

PROJECT	
TYPE	
NOTES	
QUANTITY	
DATE	

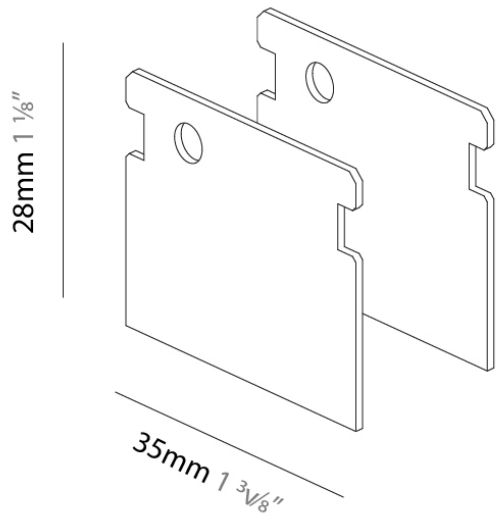
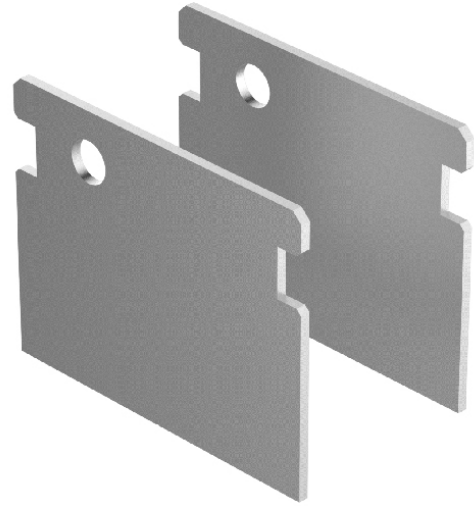
A38896-

DESCRIPTION
 Idaho 40 / Hypro 40 - Recessed System - End Plate Corona - 1 pair

GENERAL
 Series: Hypro
 Subseries: Hypro 40
 Partner: Prolight
 Division: Architectural

PHYSICAL
 Shape: Rectangle
 Length (mm): 1
 Length (in): 1/16
 Width (mm): 35
 Width (in): 1 3/8
 Height (mm): 28
 Height (in): 1 1/8
 Weight (kg): 0.015
 Weight (lbs): 0.033
 Fixture Finish: SSR / BKV / CWI / CRY / HAB / UFT / ITA / RUA / FTG / MYG / LOD / PUS / FRO / FUP / KIA / POP / BLS / SPG / MEY / GOH / CHC / COM / ABZ / JAG / OBR / MOS / ROR
 Fixture Material: Aluminum

RATINGS AND CERTIFICATIONS
 Certified By: Certified for North American Standards
 IP rating: IP20



A3HY40-SUS-SYS COMPONENTS TRACK

A38908-

DESCRIPTION

Magiq 4 Korona - Hypro 40 Profile Suspension Insert - 14W LED (Zhaga Standard) - 2700K / 3000K / 3500K / 4000K - Black - Reflectors 8° / 14° / 34°

GENERAL

Series: Magiq
 Subseries: Magiq 4 Cell Korona
 Partner: Prolicht
 Division: Architectural
 Installation: Track
 Product Type: Downlight
 Mounting Location: Ceiling
 Light Distribution: Downlight

PHYSICAL

Aperture Sizes - Downlights: 1"
 Shape: Rectangle
 Length (mm): 650
 Length (in): 25 ⁷/₁₆
 Width (mm): 35
 Width (in): 1 ³/₈
 Height (mm): 72
 Height (in): 2 ¹³/₁₆
 Weight (kg): 0.586
 Weight (lbs): 1.29
 Fixture Finish: SSR / BKV / CWI / CRY / HAB / UFT / ITA / RUA / FTG / MYG / LOD / PUS / FRO / FUP / KIA / POP / BLS / SPG / MEY / GOH / CHC / COM / ABZ / JAG / OBR / MOS / ROR
 Holder Finish: WHI / BLK
 Fixture Material: Aluminum Die Cast

ELECTRICAL

Input Wattage Range: 10 - 19 W
 Lamp Type: LED
 Input Wattage (W): 13.4
 Total Output Wattage (W): 12.1
 Dimming: Tri-Mode (Non-Dimming and Phase Dimming (120Vac only) and 0-10V Dimming)
 Driver Included: Yes
 Driver Location: Integrated
 Driver Type: Constant Current - Universal
 Driver Class: Class 2
 Input Voltage (V): 120 - 277
 Constant Current (MA): 1050

LED

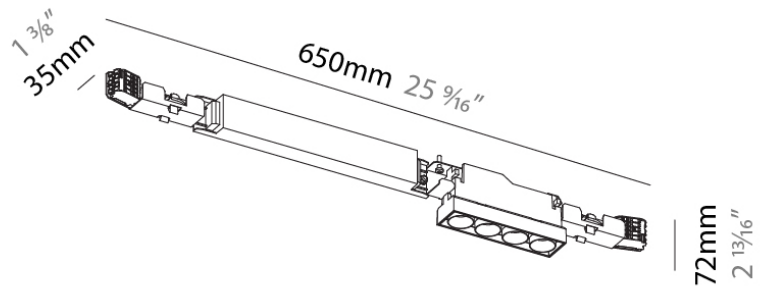
Delivered Lumen Range: 500 - 999 lm
 Number of LEDs: 4
 Color Temperature (°K): 2700 / 3000 / 3500 / 4000
 Max. Delivered Lumen (lm): 781 / 843 / 860 / 878
 Nominal Lumen (lm): 880 / 954 / 970 / 990
 CRI: >90 CRI
 Lamp Life (hrs): 50000

OPTICAL

Reflector°: 8 / 14 / 34

RATINGS AND CERTIFICATIONS

Certified By: Certified for North American Standards
 IP rating: IP20



PROJECT
TYPE
NOTES
QUANTITY
DATE

A3HY40-SUS-SYS COMPONENTS

A38910-

DESCRIPTION

Magiq 4 + 4 Korona - Hypro 40 Profile Insert - 26.6W LED (Zhaga Standard) - 2700K / 3000K / 3500K / 4000K - Black - Reflectors 11° / 22° / 33°

GENERAL

Series: Magiq
 Subseries: Magiq 4+4 Korona
 Partner: Prolight
 Division: Architectural
 Product Type: Downlight
 Light Distribution: Downlight

PHYSICAL

Aperture Sizes - Downlights: 1"
 Shape: Rectangle
 Length (mm): 910
 Length (in): 35 ¹³/₁₆"
 Width (mm): 35
 Width (in): 1 ³/₈"
 Height (mm): 72
 Height (in): 2 ¹³/₁₆"
 Weight (kg): 0.923
 Weight (lbs): 2.035
 Fixture Finish: SSR / BKV / CWI / CRY / HAB / UFT / ITA / RUA / FTG / MYG / LOD / PUS / FRO / FUP / KIA / POP / BLS / SPG / MEY / GOH / CHC / COM / ABZ / JAG / OBR / MOS / ROR
 Fixture Material: Aluminum Die Cast

ELECTRICAL

Input Wattage Range: 20 - 29 W
 Lamp Type: LED (Zhaga Standard)
 Input Wattage (W): 26.9
 Total Output Wattage (W): 24.2
 Dimming: Tri-Mode (Non-Dimming and Phase Dimming (120Vac only) and 0-10V Dimming)
 Driver Included: Yes
 Driver Location: Integrated
 Driver Type: Constant Current - Universal
 Driver Class: Class 2
 Input Voltage (V): 120 - 277
 Constant Current (mA): 1050

LED

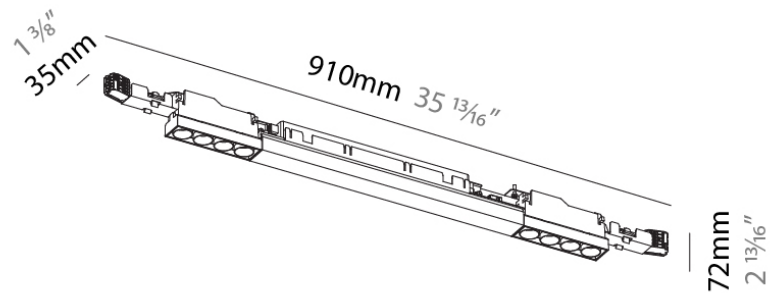
Delivered Lumen Range: 1000 - 1999 lm
 Number of LEDs: 8
 Color Temperature (°K): 2700 / 3000 / 3500 / 4000
 Max. Delivered Lumen (lm): 1561 / 1685 / 1809 / 1756
 Nominal Lumen (lm): 1761 / 1908 / 1940 / 1980
 CRI: >90 CRI
 Lamp Life (hrs): 50000

OPTICAL

Reflector°: 11 / 22 / 33

RATINGS AND CERTIFICATIONS

Certified By: Certified for North American Standards
 IP rating: IP20



PROJECT
TYPE
NOTES
QUANTITY
DATE

A3HY40-SUS-SYS COMPONENTS

A38911-

DESCRIPTION

Magiq 8 - Hypro 40 Profile Suspension Insert - 26.6W LED (Zhaga Standard) - 2700K / 3000K / 3500K / 4000K - Reflectors 8° / 14° / 34° - Black

GENERAL

Series: Magiq
 Subseries: Magiq 8 Cell
 Partner: Prolight
 Division: Architectural
 Product Type: Downlight
 Light Distribution: Downlight

PHYSICAL

Aperture Sizes - Downlights: 1"
 Shape: Rectangle
 Length (mm): 840
 Length (in): 33 1/16"
 Width (mm): 35
 Width (in): 1 3/8"
 Height (mm): 72
 Height (in): 2 13/16"
 Weight (kg): 0.826
 Weight (lbs): 1.82
 Fixture Material: Aluminum Die Cast

ELECTRICAL

Input Wattage Range: 20 - 29 W
 Lamp Type: LED (Zhaga Standard)
 Input Wattage (W): 26.6
 Total Output Wattage (W): 24.2
 Dimming: Tri-Mode (Non-Dimming and Phase Dimming (120Vac only) and 0-10V Dimming)
 Driver Included: Yes
 Driver Location: Integrated
 Driver Type: Constant Current - Universal
 Driver Class: Class 2
 Input Voltage (V): 120 - 277
 Constant Current (MA): 1050

LED

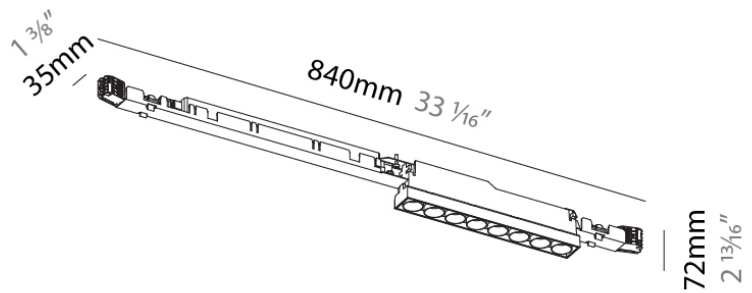
Delivered Lumen Range: 1000 - 1999 lm
 Number of LEDs: 8
 Color Temperature (°K): 2700 / 3000 / 3500 / 4000
 Max. Delivered Lumen (lm): 1561 / 1685 / 1809 / 1756
 Nominal Lumen (lm): 1761 / 1908 / 1940 / 1980
 CRI: >90 CRI
 Lamp Life (hrs): 50000

OPTICAL

Reflector°: 10 / 20 / 40

RATINGS AND CERTIFICATIONS

Certified By: Certified for North American Standards
 IP rating: IP20



PROJECT
TYPE
NOTES
QUANTITY
DATE

A3HY40-SUS-SYS COMPONENTS

A38912-

DESCRIPTION

Magiq 8 Korona - Hypro 40 Profile Suspension Insert - 26.6W LED (Zhaga Standard) - 2700K / 3000K / 3500K / 4000K - Black - Reflectors 11° / 22° / 33°

GENERAL

Series: Magiq
 Subseries: Magiq 8 Cell Korona
 Partner: Prolight
 Division: Architectural
 Product Type: Downlight
 Light Distribution: Downlight

PHYSICAL

Aperture Sizes - Downlights: 1"
 Shape: Rectangle
 Length (mm): 840
 Length (in): 33 1/16"
 Width (mm): 35
 Width (in): 1 3/8"
 Height (mm): 72
 Height (in): 2 13/16"
 Weight (kg): 1.131
 Weight (lbs): 2.49
 Fixture Finish: SSR / BKV / CWI / CRY / HAB / UFT / ITA / RUA / FTG / MYG / LOD / PUS / FRO / FUP / KIA / POP / BLS / SPG / MEY / GOH / CHC / COM / ABZ / JAG / OBR / MOS / ROR
 Fixture Material: Aluminum Die Cast

ELECTRICAL

Input Wattage Range: 20 - 29 W
 Lamp Type: LED (Zhaga Standard)
 Input Wattage (W): 26.6
 Total Output Wattage (W): 24.2
 Dimming: Tri-Mode (Non-Dimming and Phase Dimming (120Vac only) and 0-10V Dimming)
 Driver Included: Yes
 Driver Location: Integrated
 Driver Type: Constant Current - Universal
 Driver Class: Class 2
 Input Voltage (V): 120 - 277
 Constant Current (mA): 1050

LED

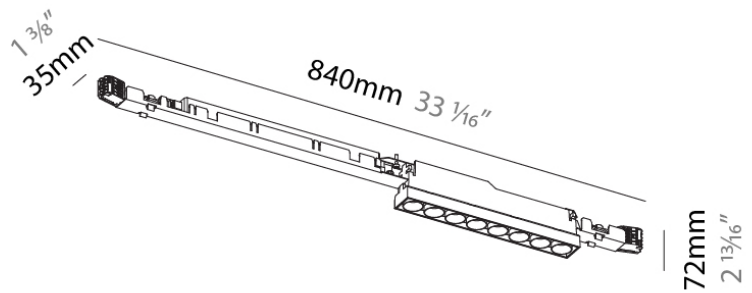
Delivered Lumen Range: 1000 - 1999 lm
 Number of LEDs: 8
 Color Temperature (°K): 2700 / 3000 / 3500 / 4000
 Max. Delivered Lumen (lm): 1561 / 1685 / 1809 / 1756
 Nominal Lumen (lm): 1761 / 1908 / 1940 / 1980
 CRI: >90 CRI
 Lamp Life (hrs): 50000

OPTICAL

Reflector°: 11 / 22 / 33

RATINGS AND CERTIFICATIONS

Certified By: Certified for North American Standards
 IP rating: IP20



PROJECT
TYPE
NOTES
QUANTITY
DATE

A3HY40-SUS-SYS COMPONENTS

A38913-

DESCRIPTION

Magiq 8 + 8 - Hypro 40 Profile Suspension Insert - 53.6W LED (Zhaga Standard) - 2700K / 3000K / 3500K / 4000K - Black - Reflectors 11° / 22° / 33°

GENERAL

Series: Magiq
 Subseries: Magiq 8 + 8 Cell
 Partner: Prolight
 Division: Architectural
 Product Type: Downlight
 Light Distribution: Downlight

PHYSICAL

Aperture Sizes - Downlights: 1"
 Shape: Rectangle
 Length (mm): 1170
 Length (in): 46 1/16
 Width (mm): 35
 Width (in): 1 5/16
 Height (mm): 72
 Height (in): 2 13/16
 Weight (kg): 1.73
 Weight (lbs): 3.81
 Fixture Material: Aluminum Die Cast

ELECTRICAL

Input Wattage Range: 50 - 79 W
 Lamp Type: LED (Zhaga Standard)
 Input Wattage (W): 53.6
 Total Output Wattage (W): 48.3
 Dimming: Tri-Mode (Non-Dimming and Phase Dimming (120Vac only) and 0-10V Dimming)
 Driver Included: Yes
 Driver Location: Integrated
 Driver Type: Constant Current - Universal
 Driver Class: Class 2
 Input Voltage (V): 120 - 277
 Constant Current (mA): 1050

LED

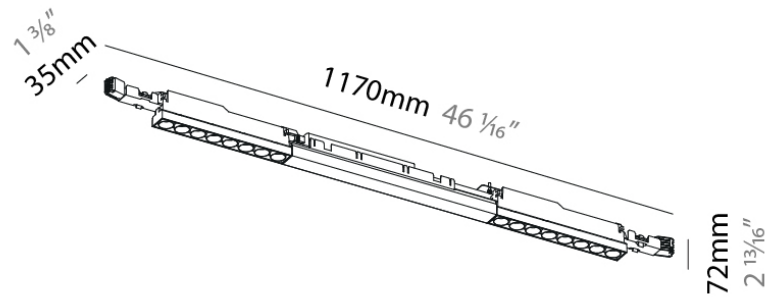
Delivered Lumen Range: 2000 - 3999 lm
 Number of LEDs: 16
 Color Temperature (°K): 2700 / 3000 / 3500 / 4000
 Max. Delivered Lumen (lm): 3312 / 3371 / 3443 / 3513
 Nominal Lumen (lm): 3521 / 3816 / 3882 / 3961
 CRI: >90 CRI
 Lamp Life (hrs): 50000

OPTICAL

Reflector°: 11 / 22 / 33

RATINGS AND CERTIFICATIONS

Certified By: Certified for North American Standards
 IP rating: IP20



PROJECT
TYPE
NOTES
QUANTITY
DATE

A3HY40-SUS-SYS COMPONENTS

A38915-

DESCRIPTION

Magiq Hollow Wallwash - Hypro 40 Profile Suspension Insert - 19.2W LED (Zhaga Standard) - 2700K / 3000K / 3500K / 4000K - Black

GENERAL

Series: Magiq Hollow Wallwash
 Subseries: Magiq Hollow Wallwash
 Partner: Prolicht
 Division: Architectural
 Product Type: Downlight
 Light Distribution: Downlight

PHYSICAL

Aperture Sizes - Downlights: 1"
 Shape: Rectangle
 Length (mm): 660
 Length (in): 26
 Width (mm): 35
 Width (in): 1 3/8
 Height (mm): 75
 Height (in): 2 15/16
 Weight (kg): 0.848
 Weight (lbs): 1.87
 Fixture Material: Aluminum Die Cast

ELECTRICAL

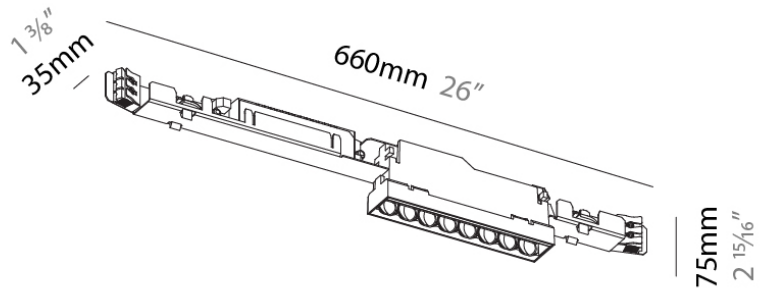
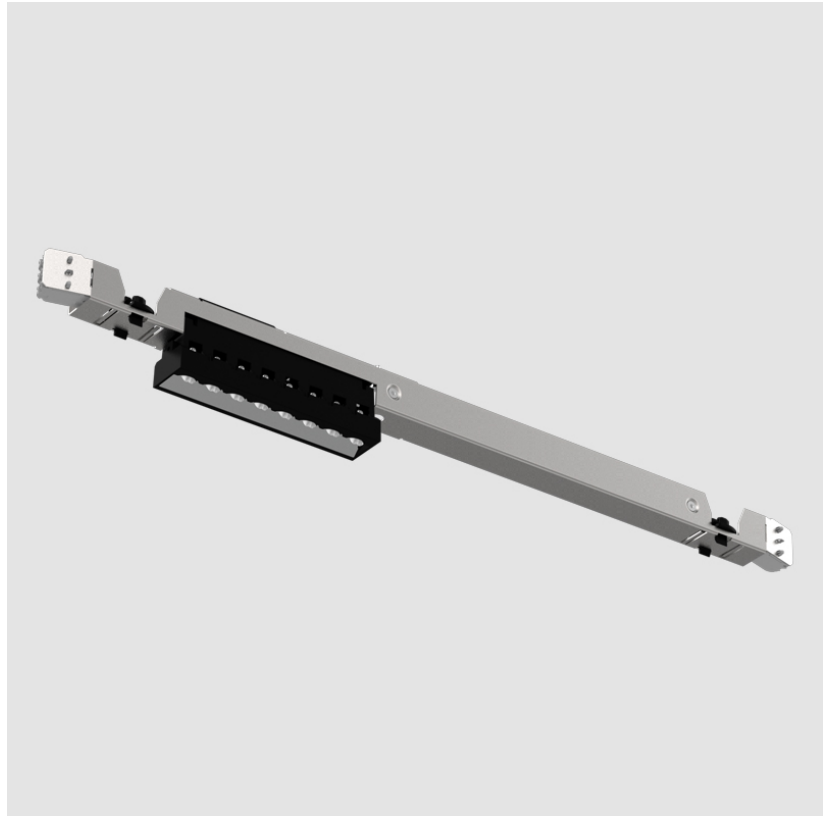
Input Wattage Range: 10 - 19 W
 Lamp Type: LED (Zhaga Standard)
 Input Wattage (W): 19.2
 Total Output Wattage (W): 17.3
 Dimming: Tri-Mode (Non-Dimming and Phase Dimming (120Vac only) and 0-10V Dimming)
 Driver Included: Yes
 Driver Location: Integrated
 Driver Type: Constant Current - Universal
 Driver Class: Class 2
 Input Voltage (V): 120 - 277
 Constant Current (MA): 700

LED

Delivered Lumen Range: 1000 - 1999 lm
 Number of LEDs: 8
 Color Temperature (°K): 2700 / 3000 / 3500 / 4000
 Max. Delivered Lumen (lm): 1270 / 1270 / 1513 / 1544
 Nominal Lumen (lm): 1328 / 1405 / 1574 / 1606
 CRI: >90 CRI
 Lamp Life (hrs): 50000

RATINGS AND CERTIFICATIONS

Certified By: Certified for North American Standards
 IP rating: IP20



PROJECT
TYPE
NOTES
QUANTITY
DATE

A3HY40-SUS-SYS COMPONENTS

A38916-

DESCRIPTION

Magiq Hollow Wallwash Korona - Hypro 40 Profile Suspension Insert - 19.2W LED (Zhaga Standard) - 2700K / 3000K / 3500K / 4000K - Black

GENERAL

Series: Magiq Hollow Wallwash
 Subseries: Magiq Hollow Wallwash Korona
 Partner: Prolight
 Division: Architectural
 Product Type: Wallwash
 Light Distribution: Asymmetric

PHYSICAL

Shape: Rectangle
 Length (mm): 660
 Length (in): 26
 Width (mm): 35
 Width (in): 1 3/8
 Height (mm): 75
 Height (in): 2 15/16
 Weight (kg): 0.848
 Weight (lbs): 1.87
 Fixture Finish: SSR / BKV / CWI / CRY / HAB / UFT / ITA / RUA / FTG / MYG / LOD / PUS / FRO / FUP / KIA / POP / BLS / SPG / MEY / GOH / CHC / COM / ABZ / JAG / OBR / MOS / ROR
 Fixture Material: Aluminum Die Cast

ELECTRICAL

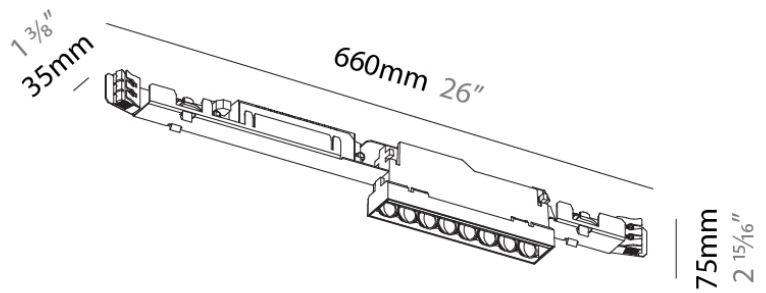
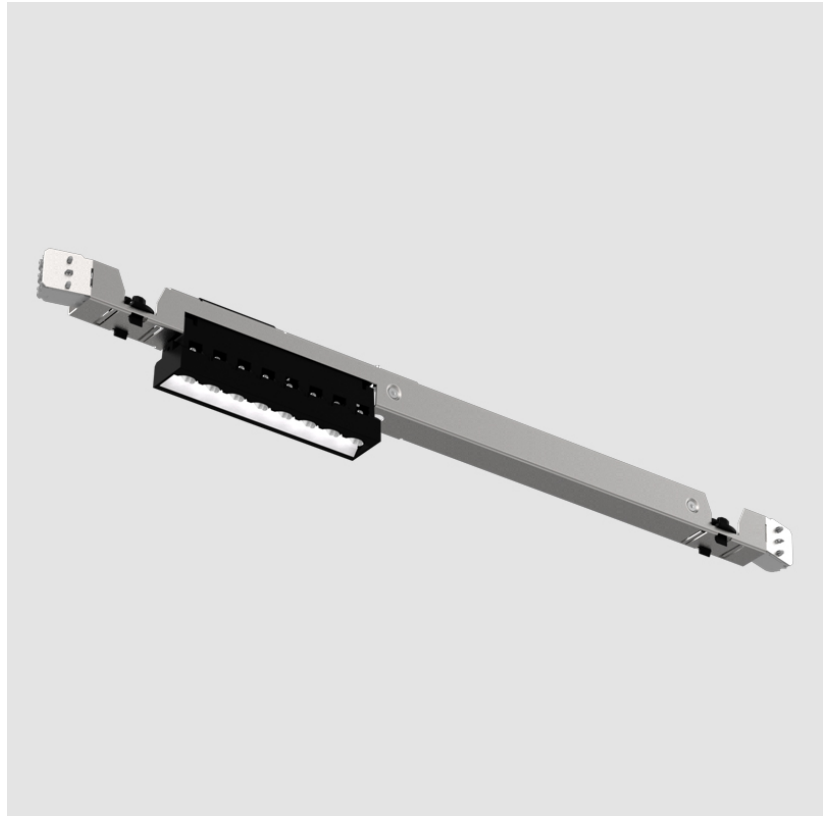
Input Wattage Range: 10 - 19 W
 Lamp Type: LED (Zhaga Standard)
 Input Wattage (W): 19.2
 Total Output Wattage (W): 17.3
 Dimming: Tri-Mode (Non-Dimming and Phase Dimming (120Vac only) and 0-10V Dimming)
 Driver Included: Yes
 Driver Location: Integrated
 Driver Type: Constant Current - Universal
 Driver Class: Class 2
 Input Voltage (V): 120 - 277
 Constant Current (MA): 700

LED

Delivered Lumen Range: 1000 - 1999 lm
 Number of LEDs: 8
 Color Temperature (°K): 2700 / 3000 / 3500 / 4000
 Max. Delivered Lumen (lm): 1270 / 1270 / 1513 / 1544
 Nominal Lumen (lm): 1328 / 1405 / 1574 / 1606
 CRI: >90 CRI
 Lamp Life (hrs): 50000

RATINGS AND CERTIFICATIONS

Certified By: Certified for North American Standards
 IP rating: IP20



A3HY40-SUS-SYS COMPONENTS

A38919-

DESCRIPTION

Rico LED (Zhaga Standard) - Hypro 40 Profile Insert - 16.5W LED (Zhaga Standard) - 2700K / 3000K / 3500K / 4000K - Beam Angle: 46° / 62°

GENERAL

Series: Hypro
 Subseries: Hypro 40
 Partner: Prolicht
 Division: Architectural
 Light Distribution: Direct

PHYSICAL

Length (mm): 705
 Length (in): 27 ³/₄
 Width (mm): 29
 Width (in): 1 ¹/₁₀
 Height (mm): 50
 Height (in): 2
 Weight (kg): 0.668
 Weight (lbs): 1.47
 Fixture Material: Metal

ELECTRICAL

Input Wattage Range: 10 - 19 W
 Lamp Type: LED (Zhaga Standard)
 Input Wattage (W): 16.5
 Total Output Wattage (W): 15
 Dimming: Non-Dimmable / 0-10V Dimming
 Driver Included: Yes
 Driver Location: Integrated
 Driver Type: Constant Current - 120Vac
 Driver Class: Class 2
 Input Voltage (V): 120
 Constant Current (MA): 350

LED

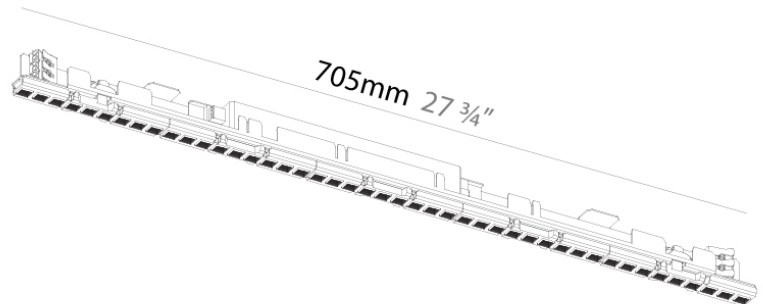
Delivered Lumen Range: 1000 - 1999 lm
 Color Temperature (°K): 2700 / 3000 / 3500 / 4000
 Max. Delivered Lumen (lm): 1760 / 1880 / 1920 / 1960
 Nominal Lumen (lm): 2250 / 2400 / 2450 / 2500
 CRI: >80 CRI
 Lamp Life (hrs): 50000

OPTICAL

Beam Angle: 46 / 62

RATINGS AND CERTIFICATIONS

Certified By: Certified for North American Standards
 IP rating: IP20



PROJECT
TYPE
NOTES
QUANTITY
DATE

A3HY40-SUS-SYS COMPONENTS

A38920-

DESCRIPTION

Rico LED (Zhaga Standard) - Hypro 40 Profile Insert - 33.W LED (Zhaga Standard) - 2700K / 3000K / 3500K / 4000K - Beam Angle: 46° / 62°

GENERAL

Series: Hypro
 Subseries: Hypro 40
 Partner: Prolicht
 Division: Architectural
 Light Distribution: Direct

PHYSICAL

Length (mm): 1408
 Length (in): 55 7/16
 Width (mm): 29
 Width (in): 1 1/10
 Height (mm): 50
 Height (in): 2
 Weight (kg): 1.191
 Weight (lbs): 2.63
 Fixture Material: Metal

ELECTRICAL

Input Wattage Range: 30 - 49 W
 Lamp Type: LED (Zhaga Standard)
 Input Wattage (W): 33.3
 Total Output Wattage (W): 30
 Dimming: Non-Dimmable / 0-10V Dimming
 Driver Included: Yes
 Driver Location: Integrated
 Driver Type: Constant Current - 120Vac
 Driver Class: Class 1
 Input Voltage (V): 120
 Constant Current (MA): 350

LED

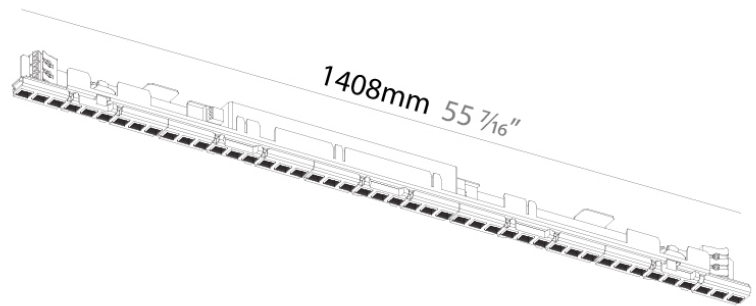
Delivered Lumen Range: 3000 - 4999 lm
 Color Temperature (°K): 2700 / 3000 / 3500 / 4000
 Max. Delivered Lumen (lm): 3520 / 3760 / 3243 / 3920
 Nominal Lumen (lm): 4500 / 4800 / 4900 / 5000
 CRI: >80 CRI
 Lamp Life (hrs): 50000

OPTICAL

Beam Angle: 46 / 62

RATINGS AND CERTIFICATIONS

Certified By: Certified for North American Standards
 IP rating: IP20



A3HY40-SUS-SYS COMPONENTS

PROJECT	
TYPE	
NOTES	
QUANTITY	
DATE	

A38937-

DESCRIPTION

Idaho 40 / Hypro 40 - Suspension End Cap

GENERAL

Partner: Prolicht

Division: Architectural

PHYSICAL

Shape: Rectangle

Length (mm): 38

Length (in): 1 1/2

Width (mm): 12

Width (in): 1/2

Height (mm): 76

Height (in): 3

Weight (kg): 0.046

Weight (lbs): .10

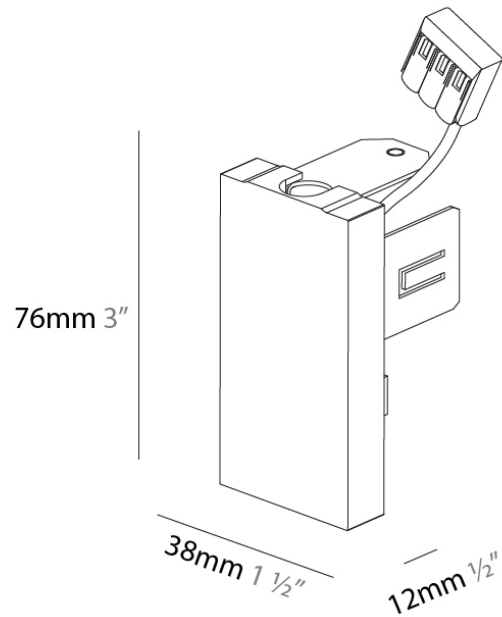
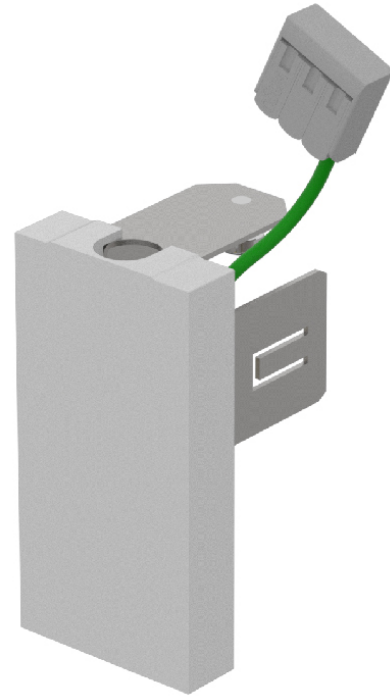
Fixture Finish: SSR / BKV / CWI / CRY / HAB / UFT / ITA / RUA / FTG / MYG / LOD / PUS / FRO / FUP / KIA / POP / BLS / SPG / MEY / GOH / CHC / COM / ABZ / JAG / OBR / MOS / ROR

Fixture Material: Aluminum

RATINGS AND CERTIFICATIONS

Certified By: Certified for North American Standards

IP rating: IP20



A3HY40-SUS-SYS COMPONENTS

PROJECT	_____
TYPE	_____
NOTES	_____
QUANTITY	_____
DATE	_____

A38939-

DESCRIPTION

Idaho 40 / Hypro 40 - Surface/Suspension L-Coupler

GENERAL

Partner: Prolicht

Division: Architectural

PHYSICAL

Length (mm): 70

Length (in): 2 ¾

Width (mm): 70

Width (in): 2 ¾

Height (mm): 76

Height (in): 3

Weight (kg): 0.247

Weight (lbs): 0.54

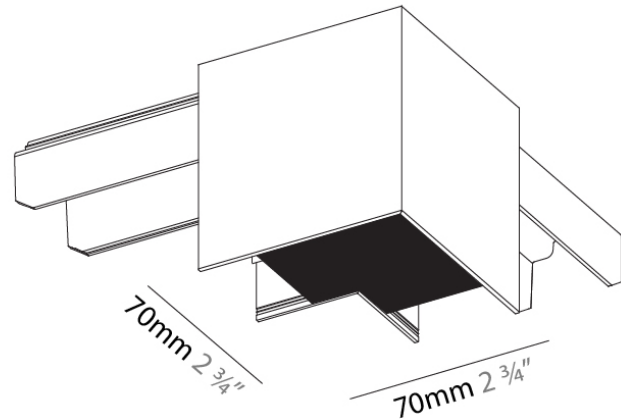
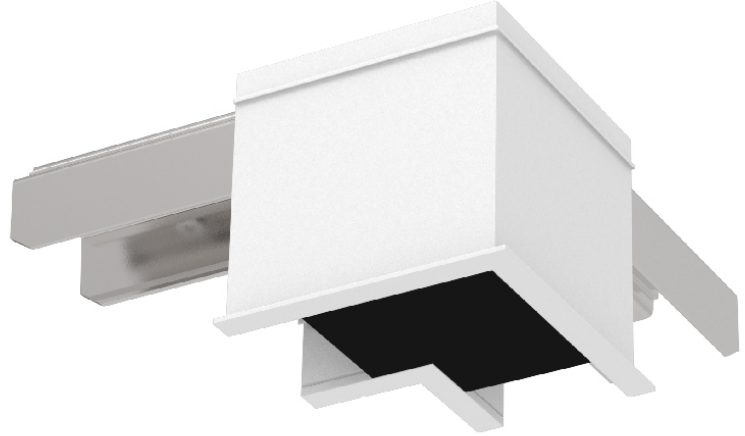
Fixture Finish: SSR / BKV / CWI / CRY / HAB / UFT / ITA / RUA / FTG / MYG / LOD / PUS / FRO / FUP / KIA / POP / BLS / SPG / MEY / GOH / CHC / COM / ABZ / JAG / OBR / MOS / ROR

Fixture Material: Aluminum

RATINGS AND CERTIFICATIONS

Certified By: Certified for North American Standards

IP rating: IP20



A3HY40-SUS-SYS COMPONENTS

PROJECT	_____
TYPE	_____
NOTES	_____
QUANTITY	_____
DATE	_____

A38940-

DESCRIPTION

Idaho 40 / Hypro 40 - Surface/Suspension T-Coupler

GENERAL

Partner: Prolight

Division: Architectural

PHYSICAL

Length (mm): 100

Length (in): 3 ¹⁵/₁₆

Width (mm): 70

Width (in): 2 ³/₄

Height (mm): 76

Height (in): 3

Weight (kg): 0.524

Weight (lbs): 1.16

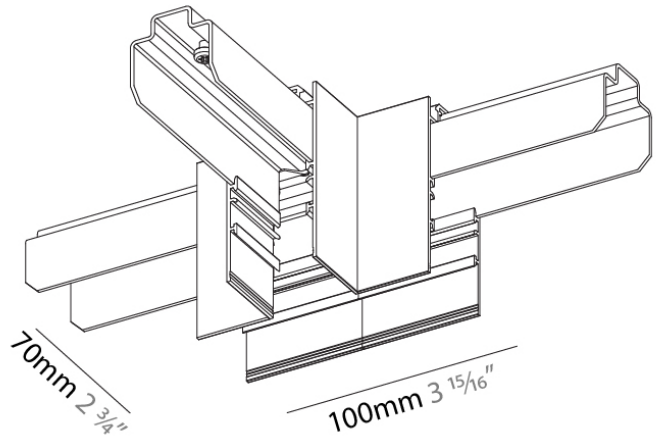
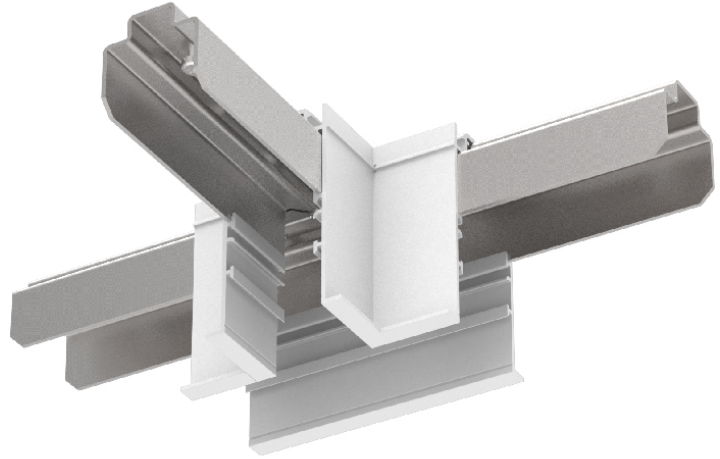
Fixture Finish: SSR / BKV / CWI / CRY / HAB / UFT / ITA / RUA / FTG / MYG / LOD / PUS / FRO / FUP / KIA / POP / BLS / SPG / MEY / GOH / CHC / COM / ABZ / JAG / OBR / MOS / ROR

Fixture Material: Aluminum

RATINGS AND CERTIFICATIONS

Certified By: Certified for North American Standards

IP rating: IP20



A3HY40-SUS-SYS COMPONENTS

PROJECT	
TYPE	
NOTES	
QUANTITY	
DATE	

A38941-

DESCRIPTION

Idaho 40 / Hypro 40 - Surface/Suspension X-Coupler

GENERAL

Partner: Prolicht

Division: Architectural

PHYSICAL

Length (mm): 100

Length (in): 3 ¹⁵/₁₆

Width (mm): 100

Width (in): 3 ¹⁵/₁₆

Height (mm): 76

Height (in): 3

Weight (kg): 0.675

Weight (lbs): 1.49

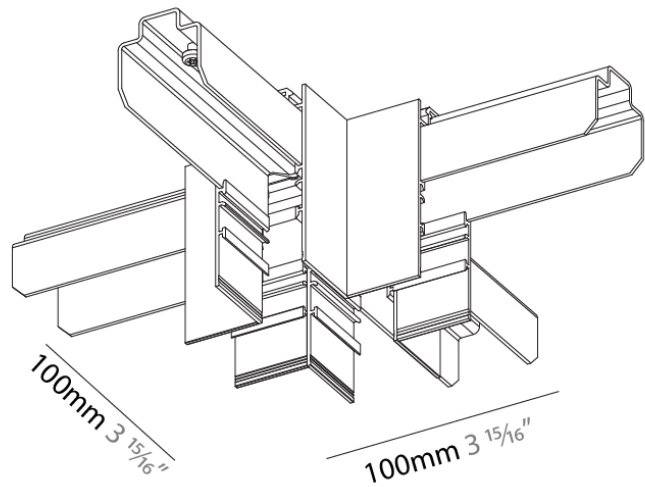
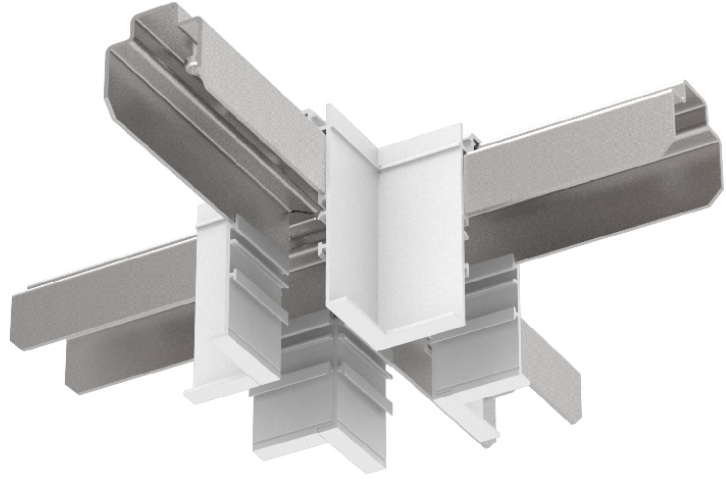
Fixture Finish: SSR / BKV / CWI / CRY / HAB / UFT / ITA / RUA / FTG / MYG / LOD / PUS / FRO / FUP / KIA / POP / BLS / SPG / MEY / GOH / CHC / COM / ABZ / JAG / OBR / MOS / ROR

Fixture Material: Aluminum

RATINGS AND CERTIFICATIONS

Certified By: Certified for North American Standards

IP rating: IP20



A3HY40-SUS-SYS COMPONENTS

PROJECT	_____
TYPE	_____
NOTES	_____
QUANTITY	_____
DATE	_____

A38942-

DESCRIPTION

Idaho 40 / Hypro 40 - Surface/Suspension Ceiling-Wall Coupler

GENERAL

Partner: Prolicht

Division: Architectural

PHYSICAL

Length (mm): 49

Length (in): 1 ¹⁵/₁₆

Width (mm): 49

Width (in): 1 ¹⁵/₁₆

Height (mm): 210

Height (in): 8 ¹/₄

Weight (kg): 0.587

Weight (lbs): 1.29

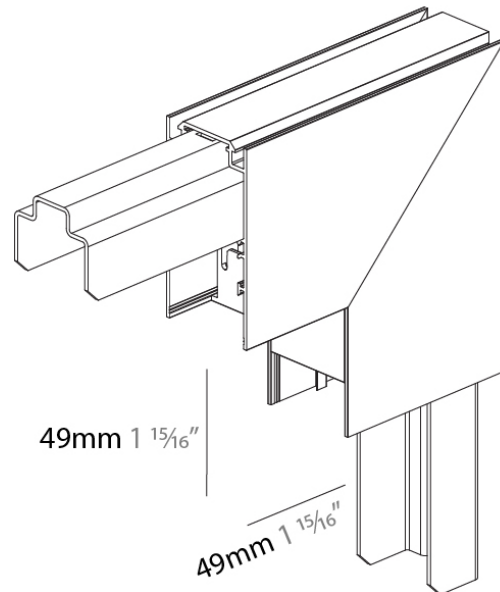
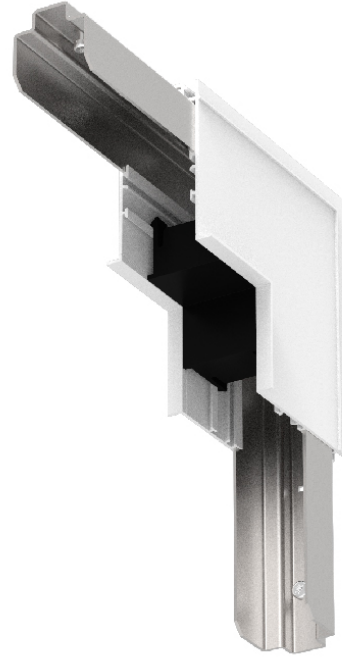
Fixture Finish: SSR / BKV / CWI / CRY / HAB / UFT / ITA / RUA / FTG / MYG / LOD / PUS / FRO / FUP / KIA / POP / BLS / SPG / MEY / GOH / CHC / COM / ABZ / JAG / OBR / MOS / ROR

Fixture Material: Aluminum

RATINGS AND CERTIFICATIONS

Certified By: Certified for North American Standards

IP rating: IP20



A3HY40-SUS-SYS COMPONENTS

A38953-

DESCRIPTION

Idaho 40 / Hypro 40 - Suspension Installation Clip - 6000mm / 236 1/4"

GENERAL

Partner: Prolight

Division: Architectural

PHYSICAL

Length (mm): 30

Length (in): 1 3/16

Width (mm): 30

Width (in): 1 3/16

Height (mm): 6000

Height (in): 236 1/4

Weight (kg): 0.029

Weight (lbs): 0.06

Fixture Finish: SSR / BKV / CWI / CRY / HAB / UFT / ITA / RUA / FTG / MYG / LOD / PUS / FRO / FUP / KIA / POP / BLS / SPG / MEY / GOH / CHC / COM / ABZ / JAG / OBR / MOS / ROR

Fixture Material: Aluminum

RATINGS AND CERTIFICATIONS

Certified By: Certified for North American Standards

IP rating: IP20

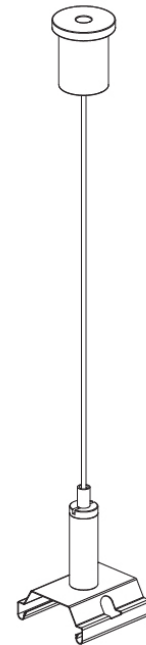
PROJECT

TYPE

NOTES

QUANTITY

DATE



2000 / 6000mm
78 3/4" / 236 1/4"



A3HY40-SUS-SYS COMPONENTS SUSPENSION

PROJECT
TYPE
NOTES
QUANTITY
DATE

A38967-

DESCRIPTION

Idaho 40 / Hypro 40 - Suspension Installation Clip

GENERAL

Partner: Prolight

Division: Architectural

Installation: Suspension

Mounting Location: Ceiling

PHYSICAL

Length (mm): 30

Length (in): 1 ³/₁₆

Width (mm): 30

Width (in): 1 ³/₁₆

Height (mm): 2000

Height (in): 78 ³/₄

Weight (kg): 0.029

Weight (lbs): 0.06

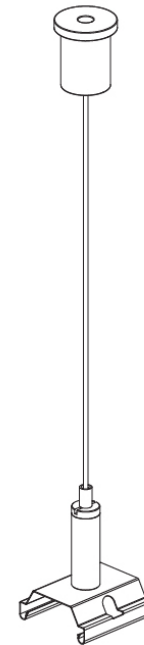
Fixture Finish: SSR / BKV / CWI / CRY / HAB / UFT / ITA / RUA / FTG / MYG / LOD / PUS / FRO / FUP / KIA / POP / BLS / SPG / MEY / GOH / CHC / COM / ABZ / JAG / OBR / MOS / ROR

Fixture Material: Aluminum

RATINGS AND CERTIFICATIONS

Certified By: Certified for North American Standards

IP rating: IP20



2000 / 6000mm
78 ³/₄" / 236 ¹/₄"



A3HY40-SUS-SYS COMPONENTS

PROJECT	_____
TYPE	_____
NOTES	_____
QUANTITY	_____
DATE	_____

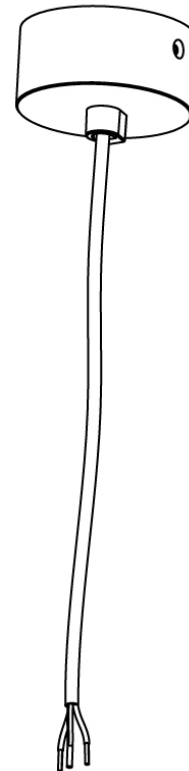
A39013-

DESCRIPTION
Suspension Power Feed 3x0.75, 2000mm

GENERAL
Partner: Prolight
Division: Architectural

PHYSICAL
Shape: Round
Diameter (mm): 120
Diameter (in): 4 ¾
Length (mm): 2000
Length (in): 78 ¾
Width (mm): 120
Width (in): 4 ¾
Height (mm): 30
Height (in): 1 ⅞
Weight (kg): 0.3
Weight (lbs): 0.66
Fixture Finish: ANA / SSR / BKV / CWI / CRY / HAB / MSR / UFT / ITA / RUA / OGR / FTG / MYG / RWR / LOD / PUS / FRO / FUP / KIA / POP / BLS / SPG / MEY / GOH / CHC / COM / ABZ / JAG / OBR / MOS / ROR
Fixture Material: Aluminum

RATINGS AND CERTIFICATIONS
Certified By: Certified for North American Standards
IP rating: IP20



A3HY40-SUS-SYS COMPONENTS

PROJECT	_____
TYPE	_____
NOTES	_____
QUANTITY	_____
DATE	_____

A39014-

DESCRIPTION

Suspension Power Feed 5x0.75 - 2000mm

GENERAL

Partner: Prolicht

Division: Architectural

PHYSICAL

Shape: Round

Diameter (mm): 120

Diameter (in): 4 ³/₄

Length (mm): 2000

Length (in): 78 ³/₄

Width (mm): 120

Width (in): 4 ³/₄

Height (mm): 30

Height (in): 1 ¹/₁₆

Weight (kg): 0.3

Weight (lbs): 0.661

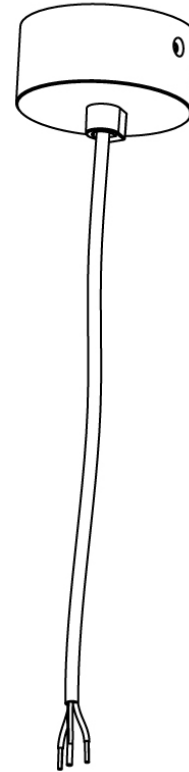
Fixture Finish: ANA / SSR / BKV / CWI / CRY / HAB / MSR / UFT / ITA /
RUA / OGR / FTG / MYG / RWR / LOD / PUS / FRO / FUP / KIA / POP /
BLS / SPG / MEY / GOH / CHC / COM / ABZ / JAG / OBR / MOS / ROR

Fixture Material: Aluminum

RATINGS AND CERTIFICATIONS

Certified By: Certified for North American Standards

IP rating: IP20



PROJECT	_____
TYPE	_____
NOTES	_____
QUANTITY	_____
DATE	_____

A3HY40-SUS-SYS COMPONENTS

A39015-

DESCRIPTION

Suspension Power Feed 4x0.75 2000mm 2 Circuits Phase Dimming

GENERAL

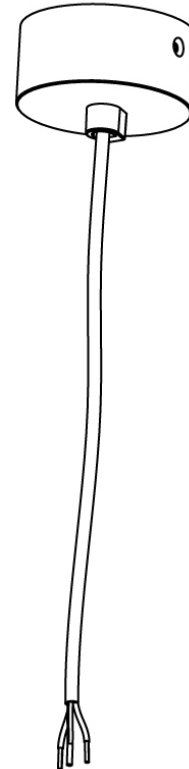
Partner: Prolight
Division: Architectural

PHYSICAL

Shape: Round
Diameter (mm): 120
Diameter (in): 4 ³/₄
Length (mm): 6000
Length (in): 236 ¹/₄
Width (mm): 120
Width (in): 4 ³/₄
Height (mm): 30
Height (in): 1 ³/₁₆
Weight (kg): 0.118
Weight (lbs): 0.26
Fixture Finish: ANA / SSR / BKV / CWI / CRY / HAB / MSR / UFT / ITA / RUA / OGR / FTG / MYG / RWR / LOD / PUS / FRO / FUP / KIA / POP / BLS / SPG / MEY / GOH / CHC / COM / ABZ / JAG / OBR / MOS / ROR
Fixture Material: Aluminum

RATINGS AND CERTIFICATIONS

Certified By: Certified for North American Standards
IP rating: IP20



A3HY40-SUS-SYS COMPONENTS

PROJECT _____

TYPE _____

NOTES _____

QUANTITY _____

DATE _____

A39016-

DESCRIPTION

Suspension Power Feed 3x0.75, 6000mm

GENERAL

Partner: Prolight

Division: Architectural

PHYSICAL

Shape: Round

Diameter (mm): 120

Diameter (in): 4 ³/₄

Length (mm): 6000

Length (in): 236 ¹/₄

Width (mm): 120

Width (in): 4 ³/₄

Height (mm): 30

Height (in): 1 ³/₁₆

Weight (kg): 0.117

Weight (lbs): 0.258

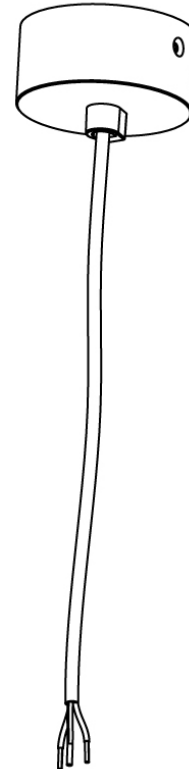
Fixture Finish: ANA / SSR / BKV / CWI / CRY / HAB / MSR / UFT / ITA /
RUA / OGR / FTG / MYG / RWR / LOD / PUS / FRO / FUP / KIA / POP /
BLS / SPG / MEY / GOH / CHC / COM / ABZ / JAG / OBR / MOS / ROR

Fixture Material: Aluminum

RATINGS AND CERTIFICATIONS

Certified By: Certified for North American Standards

IP rating: IP20



A

A3HY40-SUS-SYS COMPONENTS

PROJECT	_____
TYPE	_____
NOTES	_____
QUANTITY	_____
DATE	_____

A39017-

DESCRIPTION

Suspension Power Feed 5x0.75, 6000mm

GENERAL

Partner: Prolicht

Division: Architectural

PHYSICAL

Shape: Round

Diameter (mm): 120

Diameter (in): 4 ³/₄

Length (mm): 6000

Length (in): 236 ¹/₄

Width (mm): 120

Width (in): 4 ³/₄

Height (mm): 30

Height (in): 1 ³/₁₆

Weight (kg): 0.117

Weight (lbs): 0.258

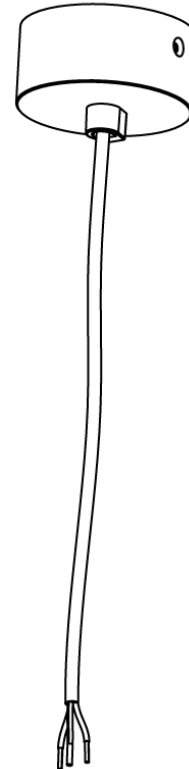
Fixture Finish: ANA / SSR / BKV / CWI / CRY / HAB / MSR / UFT / ITA /
RUA / OGR / FTG / MYG / RWR / LOD / PUS / FRO / FUP / KIA / POP /
BLS / SPG / MEY / GOH / CHC / COM / ABZ / JAG / OBR / MOS / ROR

Fixture Material: Aluminum




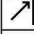


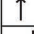



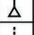






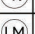


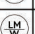


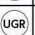























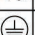





















RATINGS AND CERTIFICATIONS

Certified By: Certified for North American Standards


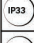

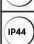



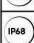


IP rating: IP20






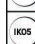






LEGEND

	floor-mounted		pivotal		special LED (upon request) RGB, RGBW, tunable, gold+, meat+, art+, fashion+
	wall and ceiling: recessed and surface mounted		rotating		warm dim / natural dimming LED
	ceiling-mounted and wall-mounted		illuminate tilted		rechargeable battery powered
	wall-mounted		color of suspension cable		fixture with natural vivid LED (upon request)
	omni-directional light distribution		length of suspension cable		color rendering index
	direct light distribution		reflector degree selection		color temperature
	direct/indirect light distribution		super spot		lumen (luminous flux)
	indirect light distribution		lens		efficacy (lumens per watt)
	asymmetric light distribution		lens pack		Unified Glare Rating (UGR) range from 5-40
	aura light distribution		shine ring		marine grade (AISI 316 stainless steel)
	round wall or ceiling cut-out		integrated shine ring with diffuser		walk on
	square wall or ceiling cut-out		free individual colors 01-29		drive on
	the supplied jig specifies the cutout dimensions		individual colors: 00 (free of charge), 01-25 (extra charge)		Dark Sky Compliance
	minimum distance (meters) lamp - object		luminaire part to be colored (F1)		Americans with Disabilities Act (less than 4" off the wall located between 27"-84" from floor)
	recessed depth		luminaire part to be colored (F2)		lamp protected against explosion
	ceiling thickness in mm		luminaire part to be colored (F3)		blown glass using traditional methods by master glass blower
	ceiling thickness selection		luminaire part to be colored (F4)		acoustic material
	dimnable DP (phase), DV (0-10V), DD (dali), DS (step-dim)		luminaire part to be colored (F5)		protection class I, protection insulation
	included or excluded LED driver/transformer/control gear		color of 3-circuit adaptor		protection class II, protection insulation
	separately switchable		indirect diffuser		ETL Certified to UL and CSA Standards
	sensor		direct diffuser		UL Certified to UL and CSA Standards
	remote control		ball-proof (upon request)		CSA Certified to UL and CSA Standards
	available upon request		accessory		Certified for North American Standards

IP RATING

	protected against ingress of solid bodies greater than 12.5mm (finger)
	protected against ingress of solid bodies greater than 2.5mm protected against sprays of water up to 60 degrees from the vertical (rain)
	protected against ingress of solid bodies greater than 1mm (wire) no protection against the ingress of moisture
	protected against ingress of solid bodies greater than 1mm (wire) protected against sprays of water up to 60 degrees from the vertical (rain)
	protected against ingress of solid bodies greater than 1mm (wire) protected against water splashed from all directions
	protected against limited ingress of dust (wet rooms/covered outdoor areas) protected against water splashed from all directions
	protected against ingress of dust protected against jets of water
	protected against ingress of dust protected against powerful jets of water or heavy seas
	protected against ingress of dust protected against immersion of water between 15cm - 1m for 30 minutes
	protected against ingress of dust protected against immersion of water under pressure for long periods

IK RATING

	protected against 0.14 joules impact (equivalent to 0.25kg mass dropped from 56mm above the surface)
	protected against 0.2 joules impact (equivalent to 0.25kg mass dropped from 80mm above the surface)
	protected against 0.35 joules impact (equivalent to 0.25kg mass dropped from 140mm above the surface)
	protected against 0.5 joules impact (equivalent to 0.25kg mass dropped from 200mm above the surface)
	protected against 0.7 joules impact (equivalent to 0.25kg mass dropped from 280mm above the surface)
	protected against 1 joules impact (equivalent to 0.25kg mass dropped from 400mm above the surface)
	protected against 2 joules impact (equivalent to 0.5kg mass dropped from 400mm above the surface)
	protected against 5 joules impact (equivalent to 1.7kg mass dropped from 300mm above the surface)
	protected against 10 joules impact (equivalent to 5.0kg mass dropped from 200mm above the surface)
	protected against 20 joules impact (equivalent to 5.0kg mass dropped from 400mm above the surface)