

A3HY40X-SUS-SYS COMPONENTS SUSPENSION

A300114-

DESCRIPTION

Hypro 40 X Line - 1410mm / 55 1/2" Profile Insert - 52.4W LED (Zhaga Standard) - 2700K / 3000K / 3500K / 4000K

GENERAL

Series: Hypro
 Subseries: Hypro 40-X
 Partner: Prolicht
 Division: Architectural
 Installation: Suspension
 Product Type: Linear Profiles
 Mounting Location: Ceiling
 Light Distribution: Direct

PHYSICAL

Shape: Rectangle
 Length (mm): 1410
 Length (in): 55 1/2
 Width (mm): 39
 Width (in): 1 9/16
 Height (mm): 95
 Height (in): 3 3/4
 Diffuser: Opal Diffuser
 Fixture Finish: SSR / BKV / CWI / CRY / HAB / UFT / ITA / RUA / FTG / MYG / LOD / PUS / FRO / FUP / KIA / POP / BLS / SPG / MEY / GOH / CHC / COM / ABZ / JAG / OBR / MOS / ROR
 Fixture Material: Metal

ELECTRICAL

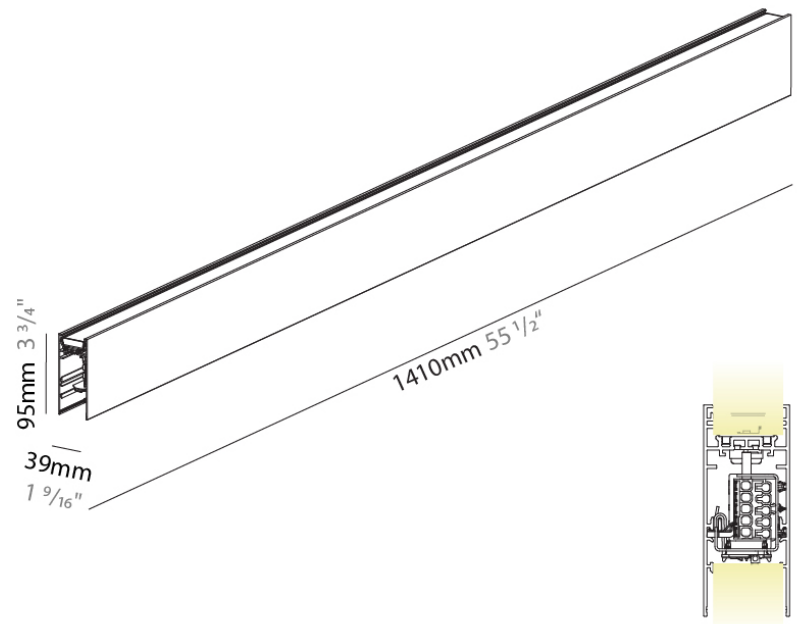
Input Wattage Range: 30 - 49 W
 Lamp Type: LED (Zhaga Standard)
 Input Wattage (W): 49.4
 Dimming: Non-Dimmable / 0-10V Dimming
 Driver Included: Yes
 Driver Location: Integrated
 Driver Type: Constant Current - 120Vac
 Driver Class: Class 2
 Input Voltage (V): 120

LED

Delivered Lumen Range: 3000 - 4999 lm
 Color Temperature (°K): 2700 / 3000 / 3500 / 4000
 Max. Delivered Lumen (lm): 4871 / 4980 / 5068 / 5171
 Nominal Lumen (lm): 6879 / 6973 / 6882 / 7022
 CRI: >90 CRI
 Lamp Life (hrs): 50000

RATINGS AND CERTIFICATIONS

Certified By: Certified for North American Standards
 IP rating: IP20



PROJECT	
TYPE	
NOTES	
QUANTITY	
DATE	

A3HY40X-SUS-SYS COMPONENTS SUSPENSION

A300115-

DESCRIPTION

Hypro 40 X Line - 1835mm / 72 1/4" Profile Insert - 66W LED (Zhaga Standard) - 2700K / 3000K / 3500K / 4000K

GENERAL

Series: Hypro
 Subseries: Hypro 40-X
 Partner: Prolicht
 Division: Architectural
 Installation: Suspension
 Product Type: Linear Profiles
 Mounting Location: Ceiling
 Light Distribution: Direct

PHYSICAL

Shape: Rectangle
 Length (mm): 1835
 Length (in): 72 1/4
 Width (mm): 38
 Width (in): 1 1/2
 Height (mm): 95
 Height (in): 3 3/4
 Diffuser: PMMA - Opal
 Fixture Finish: SSR / BKV / CWI / CRY / HAB / UFT / ITA / RUA / FTG / MYG / LOD / PUS / FRO / FUP / KIA / POP / BLS / SPG / MEY / GOH / CHC / COM / ABZ / JAG / OBR / MOS / ROR
 Fixture Material: Metal

ELECTRICAL

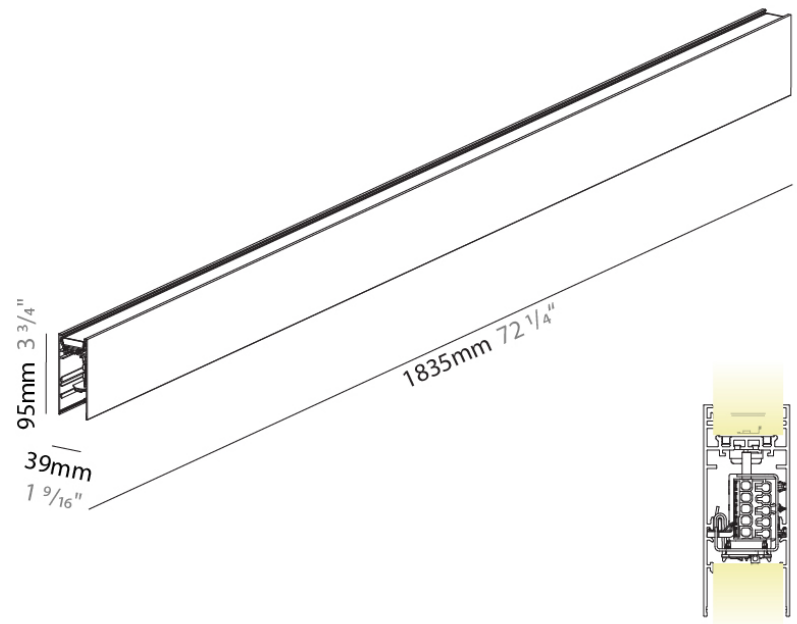
Input Wattage Range: 50 - 79 W
 Lamp Type: LED (Zhaga Standard)
 Input Wattage (W): 59.2
 Dimming: Non-Dimmable / 0-10V Dimming
 Driver Included: Yes
 Driver Location: Integrated
 Driver Type: Constant Current - 120Vac
 Driver Class: Class 2
 Input Voltage (V): 120

LED

Delivered Lumen Range: 5000 - 9999 lm
 Color Temperature (°K): 2700 / 3000 / 3500 / 4000
 Max. Delivered Lumen (lm): 6127 / 6269 / 6387 / 6517
 CRI: >90 CRI
 Lamp Life (hrs): 50000

RATINGS AND CERTIFICATIONS

Certified By: Certified for North American Standards
 IP rating: IP20



PROJECT	
TYPE	
NOTES	
QUANTITY	
DATE	

A3HY40X-SUS-SYS COMPONENTS SUSPENSION

A300116-

DESCRIPTION

Hypro 40 X Line - 2258mm / 88 7/8" Profile Insert - 84W LED (Zhaga Standard) - 2700K / 3000K / 3500K / 4000K

GENERAL

Series: Hypro
 Subseries: Hypro 40-X
 Partner: Prolicht
 Division: Architectural
 Installation: Suspension
 Product Type: Linear Profiles
 Mounting Location: Ceiling
 Light Distribution: Direct

PHYSICAL

Shape: Rectangle
 Length (mm): 2258
 Length (in): 88 7/8
 Width (mm): 38
 Width (in): 1 1/2
 Height (mm): 95
 Height (in): 3 3/4
 Diffuser: PMMA - Opal
 Fixture Finish: SSR / BKV / CWI / CRY / HAB / UFT / ITA / RUA / FTG / MYG / LOD / PUS / FRO / FUP / KIA / POP / BLS / SPG / MEY / GOH / CHC / COM / ABZ / JAG / OBR / MOS / ROR
 Fixture Material: Metal

ELECTRICAL

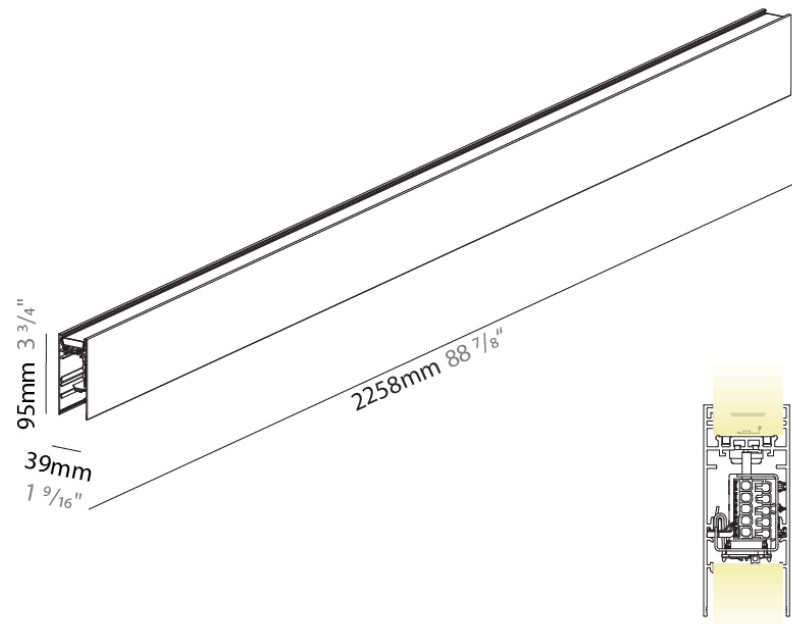
Input Wattage Range: 80 - 99 W
 Lamp Type: LED (Zhaga Standard)
 Input Wattage (W): 84
 Dimming: Non-Dimmable / 0-10V Dimming
 Driver Included: Yes
 Driver Location: Integrated
 Driver Type: Constant Current - 120Vac
 Driver Class: Class 2
 Input Voltage (V): 120

LED

Delivered Lumen Range: 5000 - 9999 lm
 Color Temperature (°K): 2700 / 3000 / 3500 / 4000
 Max. Delivered Lumen (lm): 7794 / 7969 / 8109 / 8274
 CRI: >90 CRI
 Lamp Life (hrs): 50000

RATINGS AND CERTIFICATIONS

Certified By: Certified for North American Standards
 IP rating: IP20



PROJECT	
TYPE	
NOTES	
QUANTITY	
DATE	

A3HY40X-SUS-SYS COMPONENTS SUSPENSION

A300117-

DESCRIPTION

Hypro 40 X Line - 2538mm / 99 15/16" Profile Insert - 94.3W LED (Zhaga Standard) - 2700K / 3000K / 3500K / 4000K

GENERAL

Series: Hypro
 Subseries: Hypro 40-X
 Partner: Prolicht
 Division: Architectural
 Installation: Suspension
 Product Type: Linear Profiles
 Mounting Location: Ceiling
 Light Distribution: Direct

PHYSICAL

Shape: Rectangle
 Length (mm): 2538
 Length (in): 99 15/16
 Width (mm): 38
 Width (in): 1 1/2
 Height (mm): 95
 Height (in): 3 3/4
 Diffuser: PMMA - Opal
 Fixture Finish: SSR / BKV / CWI / CRY / HAB / UFT / ITA / RUA / FTG / MYG / LOD / PUS / FRO / FUP / KIA / POP / BLS / SPG / MEY / GOH / CHC / COM / ABZ / JAG / OBR / MOS / ROR
 Fixture Material: Metal

ELECTRICAL

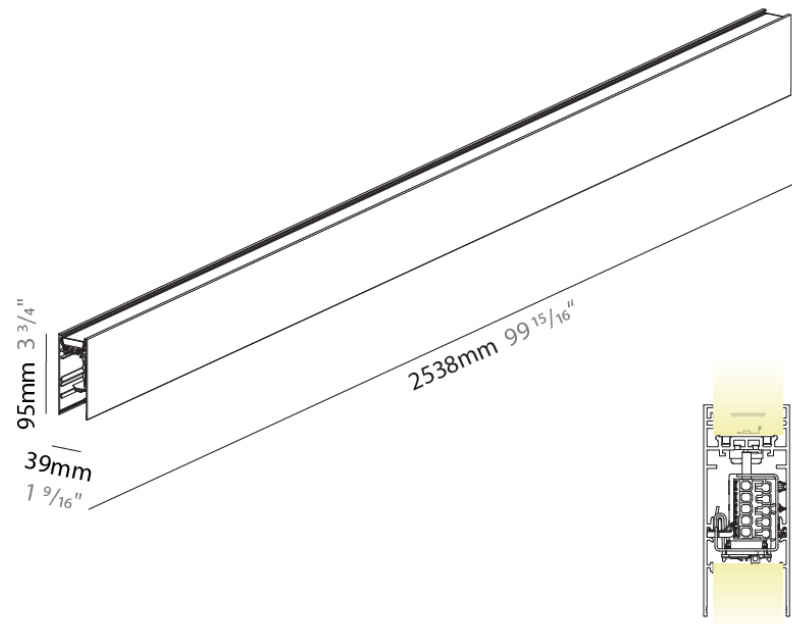
Input Wattage Range: 80 - 99 W
 Lamp Type: LED (Zhaga Standard)
 Input Wattage (W): 94.3
 Dimming: Non-Dimmable / 0-10V Dimming
 Driver Included: Yes
 Driver Location: Integrated
 Driver Type: Constant Current - 120Vac
 Driver Class: Class 2
 Input Voltage (V): 120

LED

Delivered Lumen Range: 5000 - 9999 lm
 Number of LEDs: 8769 / 8965 / 9122 / 9308
 Color Temperature (°K): 2700 / 3000 / 3500 / 4000
 Max. Delivered Lumen (lm): 9647 / 9894 / 10247 / 10456
 CRI: >90 CRI
 Lamp Life (hrs): 50000

RATINGS AND CERTIFICATIONS

Certified By: Certified for North American Standards
 IP rating: IP20



A3HY40X-SUS-SYS COMPONENTS SUSPENSION

A300118-

DESCRIPTION

Hypro 40 X Rico - 1410mm / 55 1/2" Profile Insert - 54W LED (Zhaga Standard) - 2700K / 3000K / 3500K / 4000K

GENERAL

Series: Hypro _____
 Subseries: Hypro 40-X _____
 Partner: Prolight _____
 Division: Architectural _____
 Installation: Suspension _____
 Product Type: Linear Profiles _____
 Mounting Location: Ceiling _____
 Light Distribution: Direct _____

PHYSICAL

Shape: Rectangle _____
 Length (mm): 1410 _____
 Length (in): 55 1/2 _____
 Width (mm): 38 _____
 Width (in): 1 1/2 _____
 Height (mm): 95 _____
 Height (in): 3 3/4 _____
 Diffuser: PMMA - Opal _____
 Fixture Finish: SSR / BKV / CWI / CRY / HAB / UFT / ITA / RUA / FTG / MYG / LOD / PUS / FRO / FUP / KIA / POP / BLS / SPG / MEY / GOH / CHC / COM / ABZ / JAG / OBR / MOS / ROR _____
 Fixture Material: Metal _____

ELECTRICAL

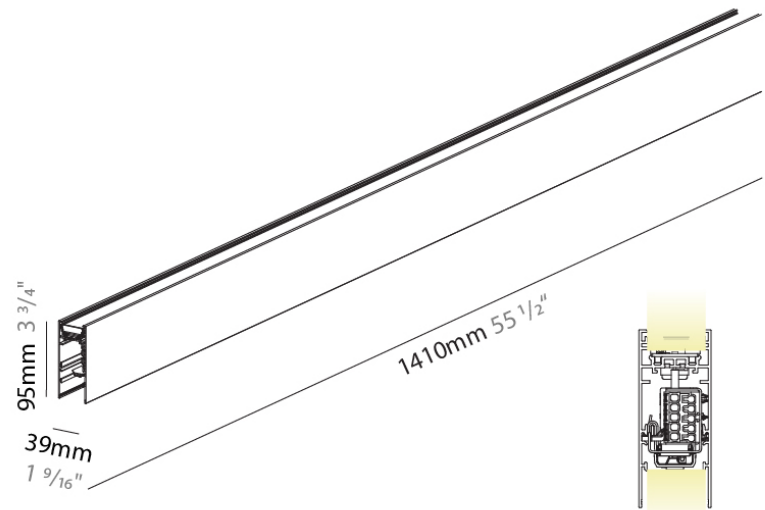
Input Wattage Range: 50 - 79 W _____
 Lamp Type: LED (Zhaga Standard) _____
 Input Wattage (W): 54 _____
 Dimming: Non-Dimmable / 0-10V Dimming _____
 Driver Included: Yes _____
 Driver Location: Integrated _____
 Driver Type: Constant Current - 120Vac _____
 Driver Class: Class 2 _____
 Input Voltage (V): 120 _____

LED

Delivered Lumen Range: 5000 - 9999 lm _____
 Color Temperature (°K): 2700 / 3000 / 3500 / 4000 _____
 Max. Delivered Lumen (lm): 5555 / 5679 / 5778 / 5896 _____
 CRI: >90 CRI _____
 Lamp Life (hrs): 50000 _____

RATINGS AND CERTIFICATIONS

Certified By: Certified for North American Standards _____
 IP rating: IP20 _____



A3HY40X-SUS-SYS COMPONENTS SUSPENSION

A300119-

DESCRIPTION

Hypro 40 X Rico - 1835mm Profile Insert - 66W LED (Zhaga Standard) - 2700K / 3000K / 3500K / 4000K

GENERAL

Series: Hypro
 Subseries: Hypro 40-X
 Partner: Prolight
 Division: Architectural
 Installation: Suspension
 Product Type: Linear Profiles
 Mounting Location: Ceiling
 Light Distribution: Direct

PHYSICAL

Shape: Rectangle
 Length (mm): 1835
 Length (in): 72 1/4
 Width (mm): 38
 Width (in): 1 1/2
 Height (mm): 95
 Height (in): 3 3/4
 Diffuser: PMMA - Opal
 Fixture Finish: SSR / BKV / CWI / CRY / HAB / UFT / ITA / RUA / FTG / MYG / LOD / PUS / FRO / FUP / KIA / POP / BLS / SPG / MEY / GOH / CHC / COM / ABZ / JAG / OBR / MOS / ROR
 Fixture Material: Metal

ELECTRICAL

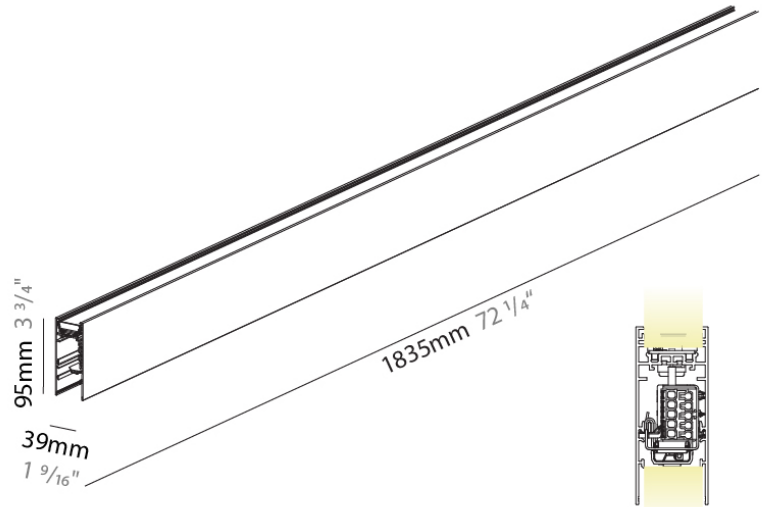
Input Wattage Range: 50 - 79 W
 Lamp Type: LED (Zhaga Standard)
 Input Wattage (W): 66
 Dimming: Non-Dimmable / 0-10V Dimming
 Driver Included: Yes
 Driver Location: Integrated
 Driver Type: Constant Current - 120Vac
 Driver Class: Class 2
 Input Voltage (V): 120

LED

Delivered Lumen Range: 5000 - 9999 lm
 Color Temperature (°K): 2700 / 3000 / 3500 / 4000
 Max. Delivered Lumen (lm): 6987 / 7148 / 7282 / 7431
 CRI: >90 CRI
 Lamp Life (hrs): 50000

RATINGS AND CERTIFICATIONS

Certified By: Certified for North American Standards
 IP rating: IP20



PROJECT	
TYPE	
NOTES	
QUANTITY	
DATE	

A3HY40X-SUS-SYS COMPONENTS SUSPENSION

A300120-

DESCRIPTION

Hypro 40 X Rico - 2258mm Profile Insert - 84W LED (Zhaga Standard) - 2700K / 3000K / 3500K / 4000K

GENERAL

Series: Hypro
 Subseries: Hypro 40-X
 Partner: Prolight
 Division: Architectural
 Installation: Suspension
 Product Type: Linear Profiles
 Mounting Location: Ceiling
 Light Distribution: Direct

PHYSICAL

Shape: Rectangle
 Length (mm): 2258
 Length (in): 88 7/8
 Width (mm): 38
 Width (in): 1 1/2
 Height (mm): 95
 Height (in): 3 3/4
 Diffuser: PMMA - Opal
 Fixture Finish: SSR / BKV / CWI / CRY / HAB / UFT / ITA / RUA / FTG / MYG / LOD / PUS / FRO / FUP / KIA / POP / BLS / SPG / MEY / GOH / CHC / COM / ABZ / JAG / OBR / MOS / ROR
 Fixture Material: Metal

ELECTRICAL

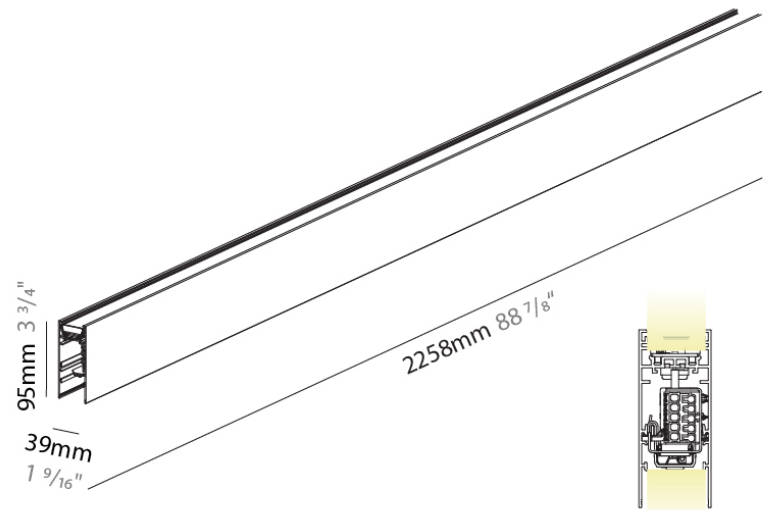
Input Wattage Range: 80 - 99 W
 Lamp Type: LED (Zhaga Standard)
 Input Wattage (W): 84
 Dimming: Non-Dimmable / 0-10V Dimming
 Driver Included: Yes
 Driver Location: Integrated
 Driver Type: Constant Current - 120Vac
 Driver Class: Class 2
 Input Voltage (V): 120

LED

Delivered Lumen Range: 5000 - 9999 lm
 Color Temperature (°K): 2700 / 3000 / 3500 / 4000
 Max. Delivered Lumen (lm): 8888 / 9086 / 9245 / 9434
 CRI: >90 CRI
 Lamp Life (hrs): 50000

RATINGS AND CERTIFICATIONS

Certified By: Certified for North American Standards
 IP rating: IP20



A3HY40X-SUS-SYS COMPONENTS SUSPENSION

A300121-

DESCRIPTION

Hypro 40 X Rico - 2538mm Profile Insert - 95W LED (Zhaga Standard) - 2700K / 3000K / 3500K / 4000K

GENERAL

Series: Hypro _____
 Subseries: Hypro 40-X _____
 Partner: Prolight _____
 Division: Architectural _____
 Installation: Suspension _____
 Product Type: Linear Profiles _____
 Mounting Location: Ceiling _____
 Light Distribution: Direct _____

PHYSICAL

Shape: Rectangle _____
 Length (mm): 2538 _____
 Length (in): 99 ¹⁵/₁₆ _____
 Width (mm): 38 _____
 Width (in): 1 ¹/₂ _____
 Height (mm): 95 _____
 Height (in): 3 ³/₄ _____
 Diffuser: PMMA - Opal _____
 Fixture Finish: SSR / BKV / CWI / CRY / HAB / UFT / ITA / RUA / FTG / MYG / LOD / PUS / FRO / FUP / KIA / POP / BLS / SPG / MEY / GOH / CHC / COM / ABZ / JAG / OBR / MOS / ROR _____
 Fixture Material: Metal _____

ELECTRICAL

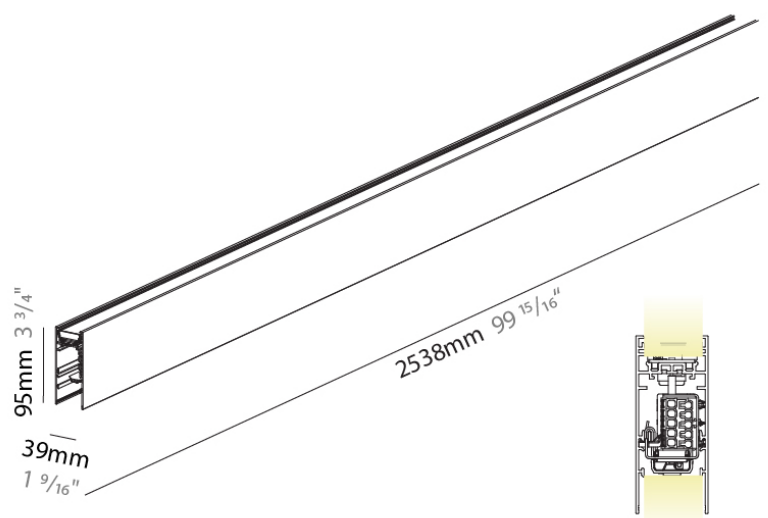
Input Wattage Range: 80 - 99 W _____
 Lamp Type: LED (Zhaga Standard) _____
 Input Wattage (W): 95 _____
 Dimming: Non-Dimmable / 0-10V Dimming _____
 Driver Included: Yes _____
 Driver Location: Integrated _____
 Driver Type: Constant Current - 120Vac _____
 Driver Class: Class 2 _____
 Input Voltage (V): 120 _____

LED

Delivered Lumen Range: >10000 lm _____
 Color Temperature (°K): 2700 / 3000 / 3500 / 4000 _____
 Max. Delivered Lumen (lm): 9999 / 10222 / 10401 / 10222 _____
 CRI: >90 CRI _____
 Lamp Life (hrs): 50000 _____

RATINGS AND CERTIFICATIONS

Certified By: Certified for North American Standards _____
 IP rating: IP20 _____



PROJECT	
TYPE	
NOTES	
QUANTITY	
DATE	

A3HY40X-SUS-SYS COMPONENTS SUSPENSION

A300122-

DESCRIPTION

Hypro-X 40 - Indirect - Suspension - 1410mm / 55 1/2" - 21.3W
LED (Zhaga Standard) - 2700K / 3000K / 3500K / 4000K - Diffuser:
Opal / Batwing

GENERAL

Series: Hypro
Subseries: Hypro 40-X
Partner: Prolicht
Division: Architectural
Installation: Suspension
Product Type: Linear Profiles
Mounting Location: Ceiling
Light Distribution: Indirect

PHYSICAL

Shape: Rectangle
Length (mm): 1410
Length (in): 55 1/2
Width (mm): 38
Width (in): 1 1/2
Height (mm): 95
Height (in): 3 3/4
Diffuser: PMMA - Opal / Batwing
Fixture Finish: SSR / BKV / CWI / CRY / HAB / UFT / ITA / RUA / FTG / MYG / LOD / PUS / FRO / FUP / KIA / POP / BLS / SPG / MEY / GOH / CHC / COM / ABZ / JAG / OBR / MOS / ROR
Fixture Material: Aluminum

ELECTRICAL

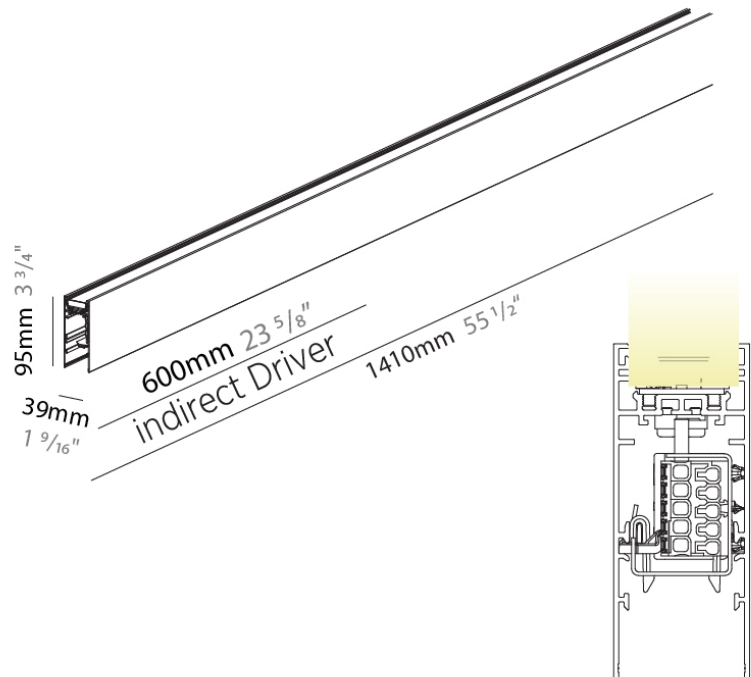
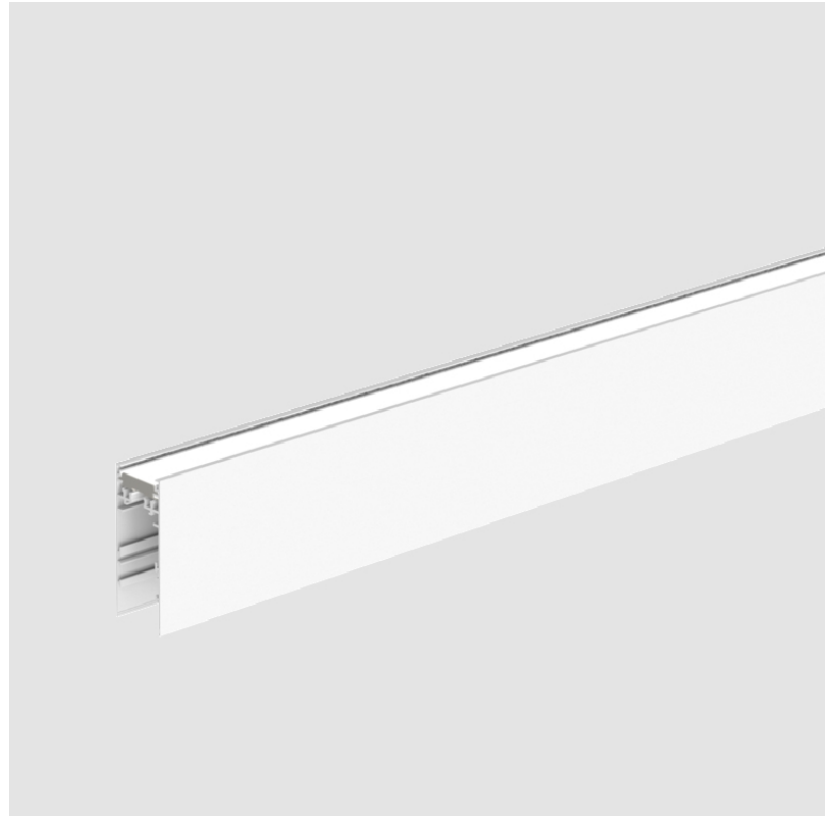
Input Wattage Range: 20 - 29 W
Lamp Type: LED (Zhaga Standard)
Input Wattage (W): 21.3
Dimming: Tri-Mode (Non-Dimming and Phase Dimming (120Vac only) and 0-10V Dimming)
Driver Included: Yes
Driver Location: Integrated
Driver Type: Constant Current - 120Vac
Driver Class: Class 2
Input Voltage (V): 120

LED

Delivered Lumen Range: 2000 - 2999 lm
Color Temperature (°K): 2700 / 3000 / 3500 / 4000
Max. Delivered Lumen (lm): 2314 / 2391 / 2411 / 2432
CRI: >90 CRI
Lamp Life (hrs): 50000

RATINGS AND CERTIFICATIONS

Certified By: Certified for North American Standards
IP rating: IP20



PROJECT	
TYPE	
NOTES	
QUANTITY	
DATE	

A3HY40X-SUS-SYS COMPONENTS SUSPENSION

A300123-

DESCRIPTION

Hypro 40 - X - Suspension - Indirect - 1835mm / 72 1/4" - 26W
LED (Zhaga Standard) - 2700K / 3000K / 3500K / 4000K - Diffuser:
Opal / Batwing

GENERAL

Series: Hypro
Subseries: Hypro 40-X
Partner: Prolicht
Division: Architectural
Installation: Suspension
Product Type: Linear Profiles
Mounting Location: Ceiling
Light Distribution: Indirect

PHYSICAL

Shape: Rectangle
Length (mm): 1835
Length (in): 72 1/4
Width (mm): 38
Width (in): 1 1/2
Height (mm): 95
Height (in): 3 3/4
Diffuser: PMMA - Opal / Batwing
Fixture Finish: SSR / BKV / CWI / CRY / HAB / UFT / ITA / RUA / FTG / MYG / LOD / PUS / FRO / FUP / KIA / POP / BLS / SPG / MEY / GOH / CHC / COM / ABZ / JAG / OBR / MOS / ROR
Fixture Material: Aluminum

ELECTRICAL

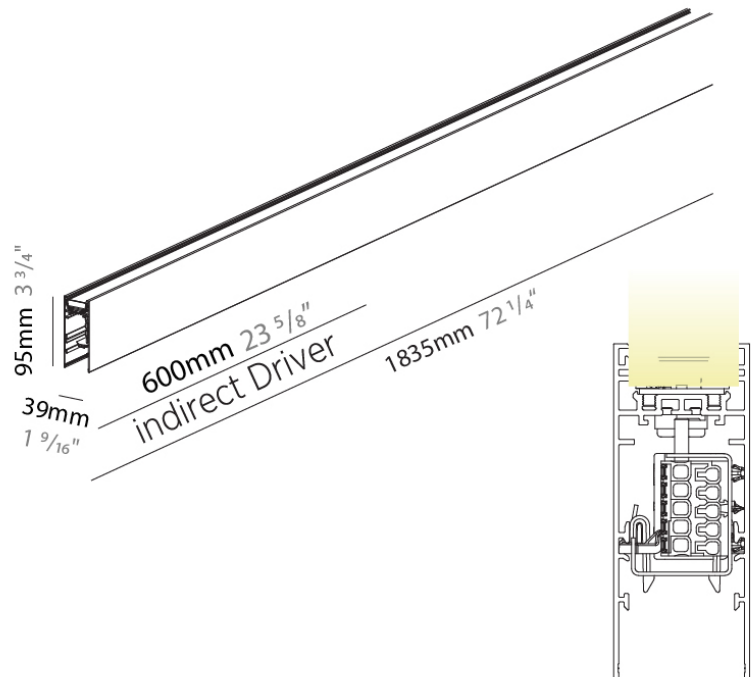
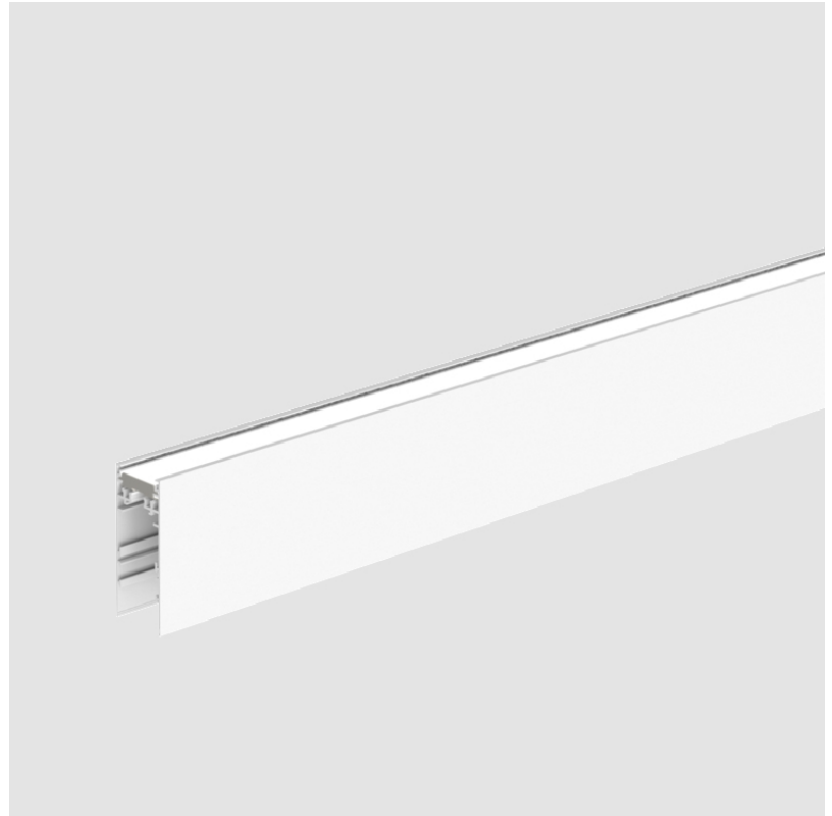
Input Wattage Range: 20 - 29 W
Lamp Type: LED (Zhaga Standard)
Input Wattage (W): 26
Dimming: Non-Dimmable / 0-10V Dimming
Driver Included: Yes
Driver Location: Integrated
Driver Type: Constant Current - 120Vac
Driver Class: Class 2
Input Voltage (V): 120

LED

Delivered Lumen Range: 2000 - 2999 lm
Color Temperature (°K): 2700 / 3000 / 3500 / 4000
Max. Delivered Lumen (lm): 2777 / 2870 / 2894 / 2918
CRI: >90 CRI

RATINGS AND CERTIFICATIONS

Certified By: Certified for North American Standards
IP rating: IP20



PROJECT	
TYPE	
NOTES	
QUANTITY	
DATE	

A3HY40X-SUS-SYS COMPONENTS SUSPENSION

A300124-

DESCRIPTION

Hypro 40 X Indirect - 2258mm / 88 7/8" Profile Insert - 31W LED (Zhaga Standard) - 2700K / 3000K / 3500K / 4000K - Diffuser: Opal / Batwing

GENERAL

Series: Hypro
 Subseries: Hypro 40-X
 Partner: Prolicht
 Division: Architectural
 Installation: Suspension
 Product Type: Linear Profiles
 Mounting Location: Ceiling
 Light Distribution: Indirect

PHYSICAL

Shape: Rectangle
 Length (mm): 2258
 Length (in): 88 7/8
 Width (mm): 38
 Width (in): 1 1/2
 Height (mm): 95
 Height (in): 3 3/4
 Diffuser: PMMA - Opal / Batwing
 Fixture Finish: SSR / BKV / CWI / CRY / HAB / UFT / ITA / RUA / FTG / MYG / LOD / PUS / FRO / FUP / KIA / POP / BLS / SPG / MEY / GOH / CHC / COM / ABZ / JAG / OBR / MOS / ROR
 Fixture Material: Metal

ELECTRICAL

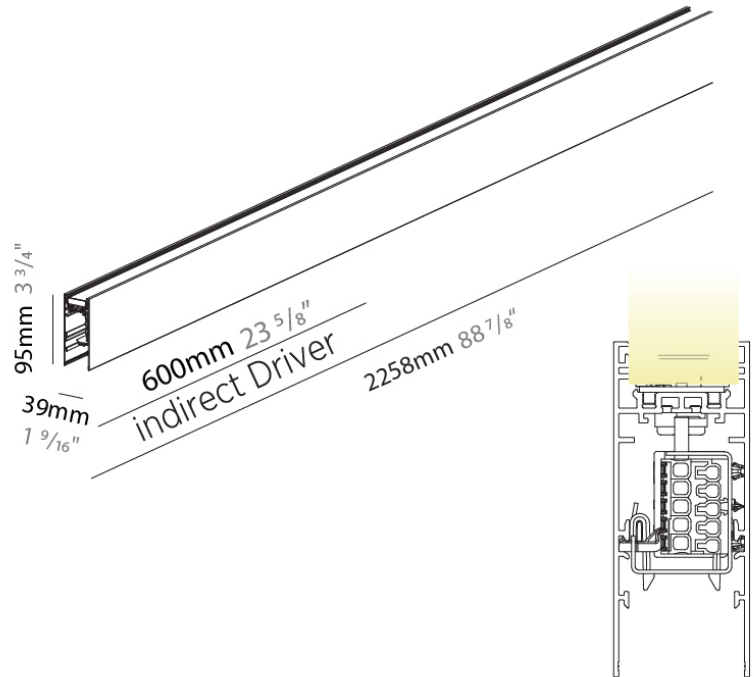
Input Wattage Range: 30 - 49 W
 Lamp Type: LED (Zhaga Standard)
 Input Wattage (W): 31
 Dimming: Non-Dimmable / 0-10V Dimming
 Driver Included: Yes
 Driver Location: Integrated
 Driver Type: Constant Current - 120Vac
 Driver Class: Class 2
 Input Voltage (V): 120

LED

Delivered Lumen Range: 3000 - 4999 lm
 Color Temperature (°K): 2700 / 3000 / 3500 / 4000
 Max. Delivered Lumen (lm): 3416 / 3522 / 3612 / 3686
 CRI: >90 CRI
 Lamp Life (hrs): 50000

RATINGS AND CERTIFICATIONS

Certified By: Certified for North American Standards
 IP rating: IP20



PROJECT	
TYPE	
NOTES	
QUANTITY	
DATE	

A3HY40X-SUS-SYS COMPONENTS SUSPENSION

A300125-

DESCRIPTION

Hypro 40 X Indirect - 2538mm / 99 15/16" Profile Insert - 34.8W LED (Zhaga Standard) - 2700K / 3000K / 3500K / 4000K - Diffuser: Opal / Batwing

GENERAL

Series: Hypro
 Subseries: Hypro 40-X
 Partner: Prolicht
 Division: Architectural
 Installation: Suspension
 Product Type: Linear Profiles
 Mounting Location: Ceiling
 Light Distribution: Indirect

PHYSICAL

Shape: Rectangle
 Length (mm): 2538
 Length (in): 99 15/16
 Width (mm): 38
 Width (in): 1 1/2
 Height (mm): 95
 Height (in): 3 3/4
 Diffuser: PMMA - Opal / Batwing
 Fixture Finish: SSR / BKV / CWI / CRY / HAB / UFT / ITA / RUA / FTG / MYG / LOD / PUS / FRO / FUP / KIA / POP / BLS / SPG / MEY / GOH / CHC / COM / ABZ / JAG / OBR / MOS / ROR
 Fixture Material: Metal

ELECTRICAL

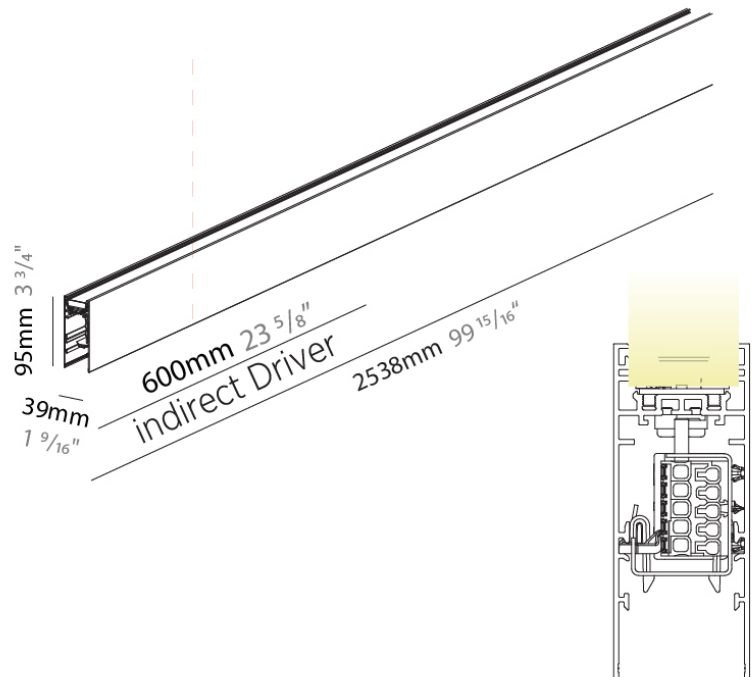
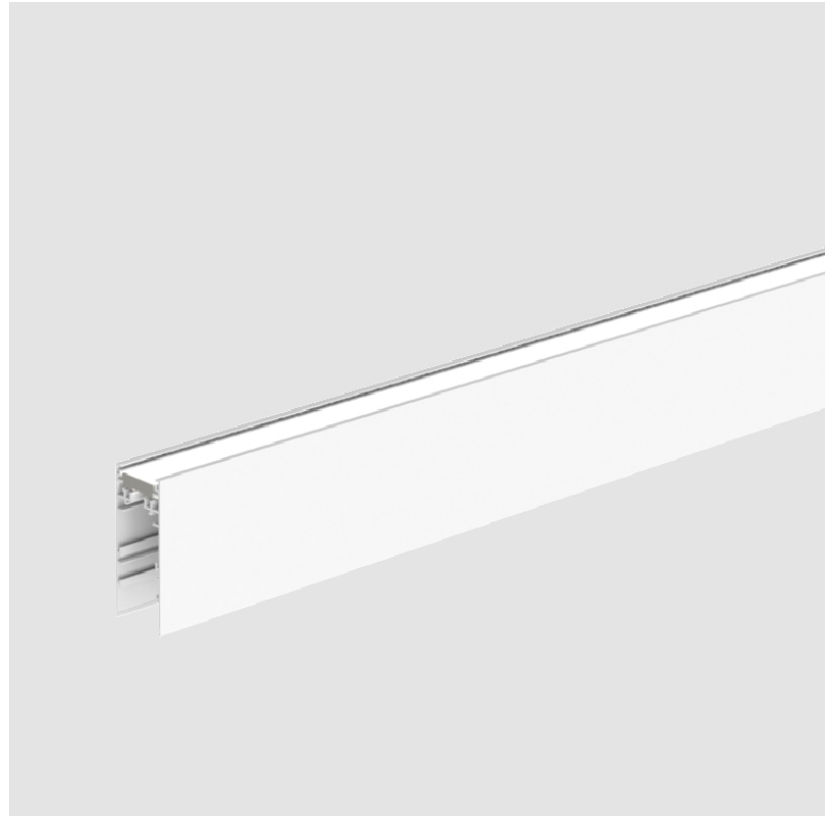
Input Wattage Range: 30 - 49 W
 Lamp Type: LED (Zhaga Standard)
 Input Wattage (W): 34.8
 Dimming: Non-Dimmable / 0-10V Dimming
 Driver Included: Yes
 Driver Location: Integrated
 Driver Type: Constant Current - 120Vac
 Driver Class: Class 2
 Input Voltage (V): 120

LED

Delivered Lumen Range: 5000 - 9999 lm
 Color Temperature (°K): 2700 / 3000 / 3500 / 4000
 Max. Delivered Lumen (lm): 3843 / 3962 / 4064 / 4147
 CRI: >90 CRI
 Lamp Life (hrs): 50000

RATINGS AND CERTIFICATIONS

Certified By: Certified for North American Standards
 IP rating: IP20



A3HY40X-SUS-SYS COMPONENTS SUSPENSION

A300319-

DESCRIPTION

Hypro 40 - X - Suspension - Indirect - 1835mm / 72 1/4" - 49W
LED (Zhaga Standard) - Tunable White (2700K-6500K) - Diffuser:
Opal / Batwing

GENERAL

Series: Hypro
Subseries: Hypro 40-X
Partner: Prolicht
Division: Architectural
Installation: Suspension
Product Type: Linear Profiles
Mounting Location: Ceiling
Light Distribution: Indirect

PHYSICAL

Shape: Rectangle
Length (mm): 1835
Length (in): 72 1/4
Width (mm): 38
Width (in): 1 1/2
Height (mm): 95
Height (in): 3 3/4
Diffuser: PMMA - Opal / Batwing
Fixture Finish: SSR / BKV / CWI / CRY / HAB / UFT / ITA / RUA / FTG / MYG / LOD / PUS / FRO / FUP / KIA / POP / BLS / SPG / MEY / GOH / CHC / COM / ABZ / JAG / OBR / MOS / ROR
Fixture Material: Aluminum

ELECTRICAL

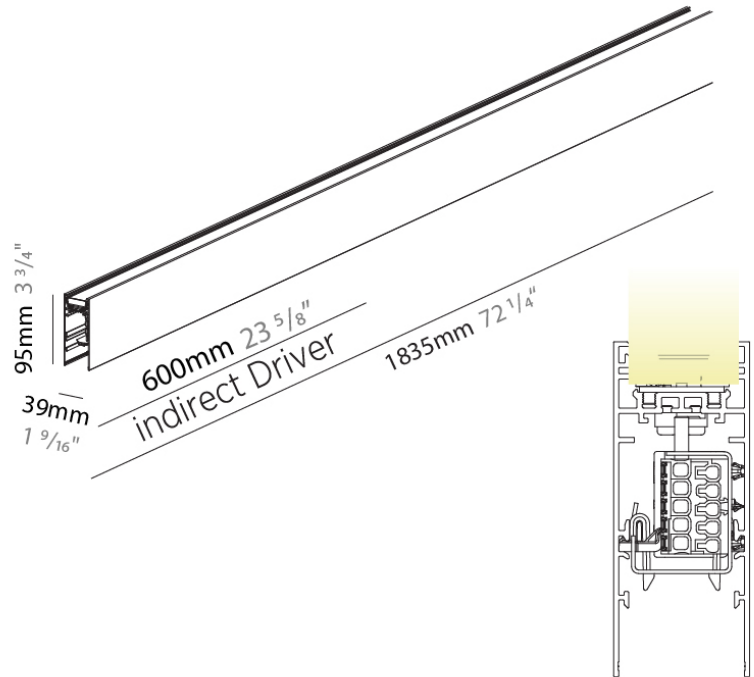
Input Wattage Range: 30 - 49 W
Lamp Type: LED (Zhaga Standard)
Input Wattage (W): 49
Total Output Wattage (W): 44.5
Dimming: Non-dimming / DALI Dimming / MATTER Dimming
Driver Included: Yes
Driver Location: Integrated
Driver Type: Constant Current - 120Vac
Driver Class: Class 2
Input Voltage (V): 120

LED

Delivered Lumen Range: 3000 - 4999 lm
Color Temperature (°K): 2700-6500 Tunable White
Max. Delivered Lumen (lm): 4510 - 4963
Nominal Lumen (lm): 5500 - 6053
CRI: >90 CRI
Lamp Life (hrs): 50000

RATINGS AND CERTIFICATIONS

Certified By: Certified for North American Standards
IP rating: IP20



PROJECT	
TYPE	
NOTES	
QUANTITY	
DATE	

A3HY40X-SUS-SYS COMPONENTS SUSPENSION

A300320-

DESCRIPTION

Hypro 40 X Indirect - 2258mm / 88 7/8" Profile Insert - 31W LED (Zhaga Standard) - Tunable White (2700K-6500K) - Diffuser: Opal / Batwing

GENERAL

Series: Hypro
 Subseries: Hypro 40-X
 Partner: Prolicht
 Division: Architectural
 Installation: Suspension
 Product Type: Linear Profiles
 Mounting Location: Ceiling
 Light Distribution: Indirect

PHYSICAL

Shape: Rectangle
 Length (mm): 2258
 Length (in): 88 7/8
 Width (mm): 38
 Width (in): 1 1/2
 Height (mm): 95
 Height (in): 3 3/4
 Diffuser: PMMA - Opal / Batwing
 Fixture Finish: SSR / BKV / CWI / CRY / HAB / UFT / ITA / RUA / FTG / MYG / LOD / PUS / FRO / FUP / KIA / POP / BLS / SPG / MEY / GOH / CHC / COM / ABZ / JAG / OBR / MOS / ROR
 Fixture Material: Metal

ELECTRICAL

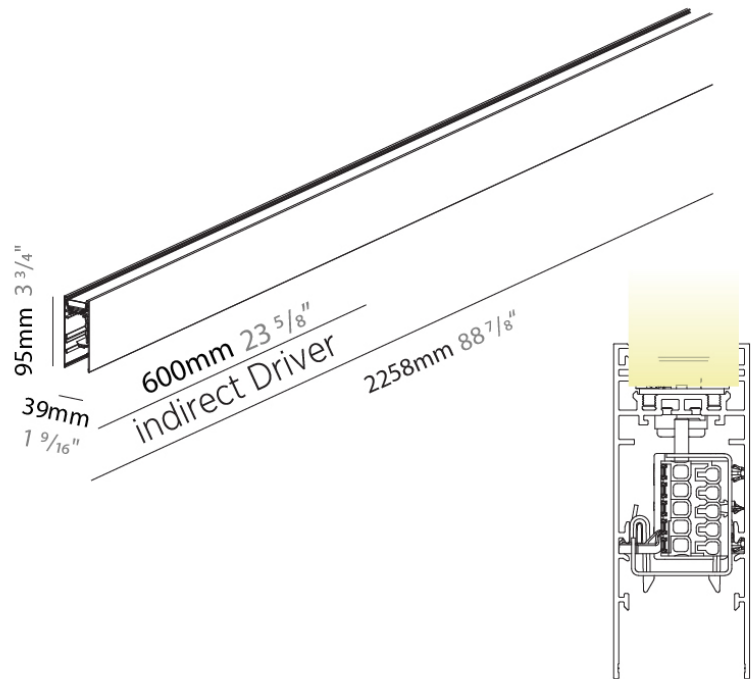
Input Wattage Range: 50 - 79 W
 Lamp Type: LED (Zhaga Standard)
 Input Wattage (W): 65.3
 Total Output Wattage (W): 59.1
 Dimming: Non-dimming / DALI Dimming / MATTER Dimming
 Driver Included: Yes
 Driver Location: Integrated
 Driver Type: Constant Current - 120Vac
 Driver Class: Class 2
 Input Voltage (V): 120

LED

Delivered Lumen Range: 5000 - 9999 lm
 Color Temperature (°K): 2700-6500 Tunable White
 Max. Delivered Lumen (lm): 6013 - 6618
 Nominal Lumen (lm): 7333 - 8070
 CRI: >90 CRI
 Lamp Life (hrs): 50000

RATINGS AND CERTIFICATIONS

Certified By: Certified for North American Standards
 IP rating: IP20



PROJECT	
TYPE	
NOTES	
QUANTITY	
DATE	

A3HY40X-SUS-SYS COMPONENTS SUSPENSION

A300321-

DESCRIPTION

Hypro 40 X Indirect - 2538mm / 99 15/16" Profile Insert - 34.8W LED (Zhaga Standard) - Tunable White (2700K-6500K) - Diffuser: Opal / Batwing

GENERAL

Series: Hypro
 Subseries: Hypro 40-X
 Partner: Prolicht
 Division: Architectural
 Installation: Suspension
 Product Type: Linear Profiles
 Mounting Location: Ceiling
 Light Distribution: Indirect

PHYSICAL

Shape: Rectangle
 Length (mm): 2538
 Length (in): 99 15/16
 Width (mm): 38
 Width (in): 1 1/2
 Height (mm): 95
 Height (in): 3 3/4
 Diffuser: PMMA - Opal / Batwing
 Fixture Finish: SSR / BKV / CWI / CRY / HAB / UFT / ITA / RUA / FTG / MYG / LOD / PUS / FRO / FUP / KIA / POP / BLS / SPG / MEY / GOH / CHC / COM / ABZ / JAG / OBR / MOS / ROR
 Fixture Material: Metal

ELECTRICAL

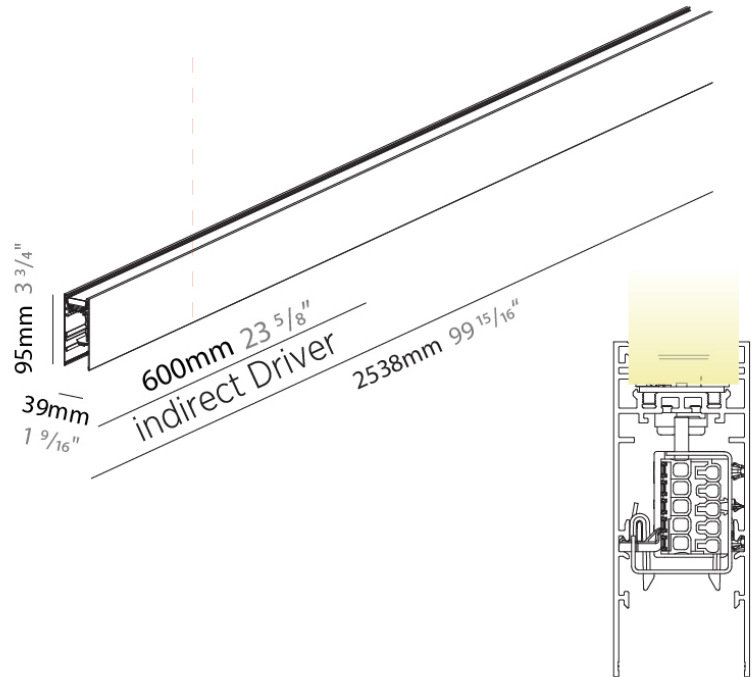
Input Wattage Range: 50 - 79 W
 Lamp Type: LED (Zhaga Standard)
 Input Wattage (W): 73.5
 Total Output Wattage (W): 66.3
 Dimming: Non-dimming / DALI Dimming / MATTER Dimming
 Driver Included: Yes
 Driver Location: Integrated
 Driver Type: Constant Current - 120Vac
 Driver Class: Class 2
 Input Voltage (V): 120

LED

Delivered Lumen Range: 5000 - 9999 lm
 Color Temperature (°K): 2700-6500 Tunable White
 Max. Delivered Lumen (lm): 6765 - 7445
 Nominal Lumen (lm): 8249 - 9079
 CRI: >90 CRI
 Lamp Life (hrs): 50000

RATINGS AND CERTIFICATIONS

Certified By: Certified for North American Standards
 IP rating: IP20



A3HY40X-SUS-SYS COMPONENTS

A30887-

DESCRIPTION

Hypro-40 X Suspension System - Profile Excluding Inserts (non electrified blank), per Meter -

GENERAL

Series: Hypro
Subseries: Hypro 40-X
Partner: Prolight
Division: Architectural : Components

PHYSICAL

Shape: Rectangle
Width (mm): 38
Width (in): 1/2
Height (mm): 95
Height (in): 3 12/16
Fixture Finish: SSR / BKV / CWI / CRY / HAB / UFT / ITA / RUA / FTG / MYG / LOD / PUS / FRO / FUP / KIA / POP / BLS / SPG / MEY / GOH / CHC / COM / ABZ / JAG / OBR / MOS / ROR
Fixture Material: Aluminum

RATINGS AND CERTIFICATIONS

Certified By: Certified for North American Standards
IP rating: IP20

PROJECT	_____
TYPE	_____
NOTES	_____
QUANTITY	_____
DATE	_____



PROJECT	
TYPE	
NOTES	
QUANTITY	
DATE	

A3HY40X-SUS-SYS COMPONENTS

A380058-

DESCRIPTION

Hypro-X 40 - Suspension System - End Cap

GENERAL

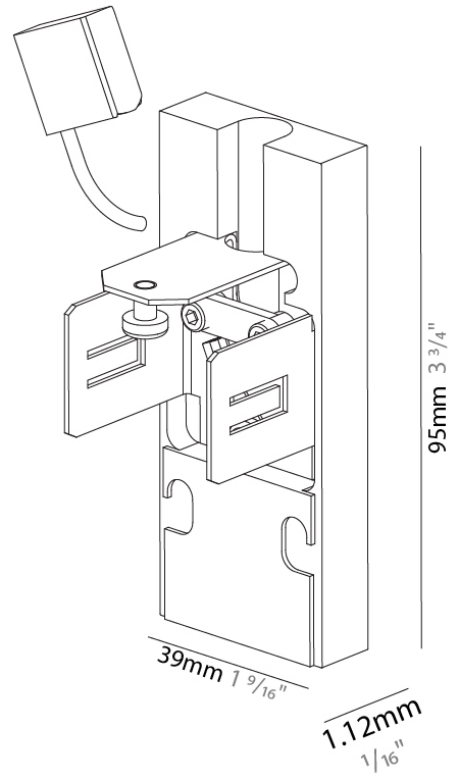
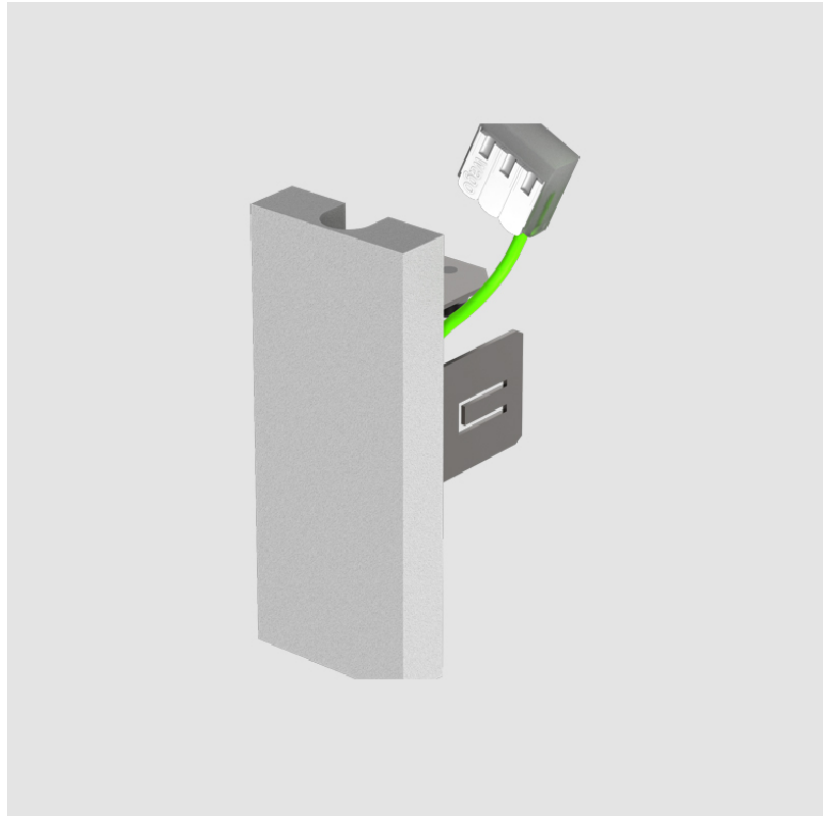
Series: Hypro
 Subseries: Hypro 40-X
 Partner: Prolicht
 Division: Architectural

PHYSICAL

Shape: Rectangle
 Length (mm): 95
 Length (in): 3 ³/₄
 Width (mm): 1.12
 Width (in): 1/16
 Height (mm): 39
 Height (in): 1 ⁹/₁₆
 Fixture Finish: SSR / BKV / CWI / CRY / HAB / UFT / ITA / RUA / FTG / MYG / LOD / PUS / FRO / FUP / KIA / POP / BLS / SPG / MEY / GOH / CHC / COM / ABZ / JAG / OBR / MOS / ROR
 Fixture Material: Aluminum

RATINGS AND CERTIFICATIONS

Certified By: Certified for North American Standards
 IP rating: IP20



A

PROJECT	
TYPE	
NOTES	
QUANTITY	
DATE	

A3HY40X-SUS-SYS COMPONENTS

A380059-

DESCRIPTION

Hypro 40-X - Suspension X-Connector -

GENERAL

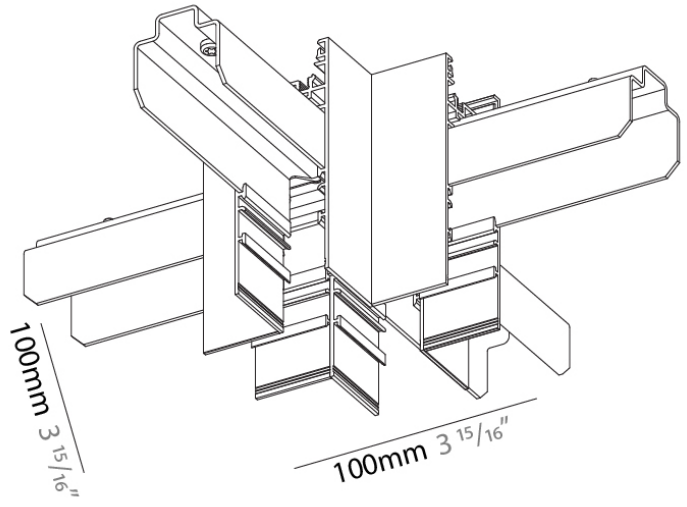
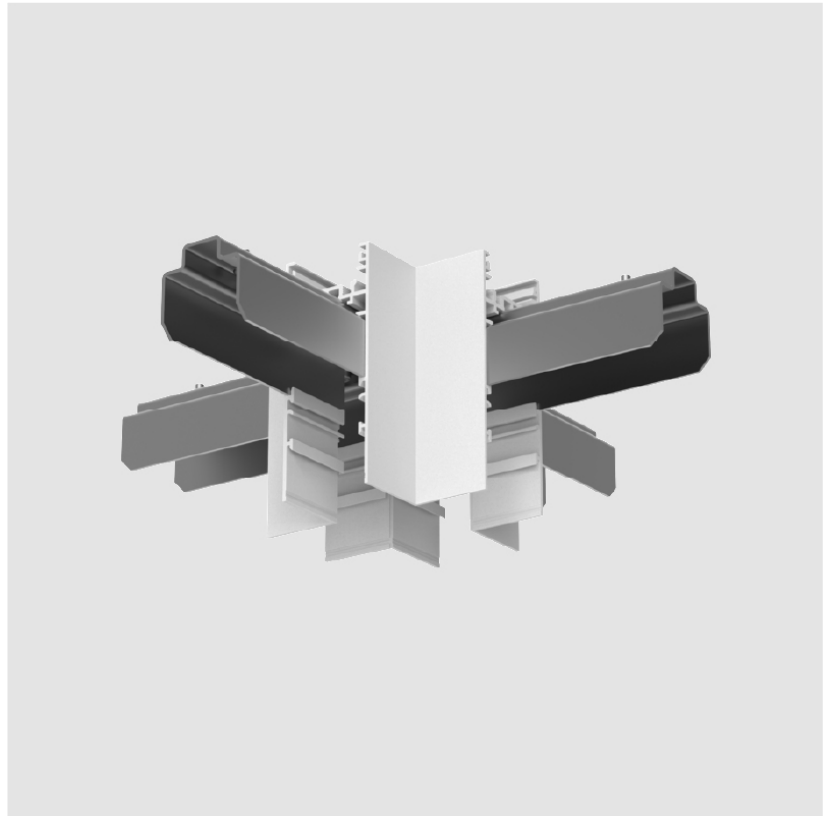
Series: Hypro
 Subseries: Hypro 40-X
 Partner: Prolight
 Division: Architectural

PHYSICAL

Length (mm): 100
 Length (in): 3 ¹⁵/₁₆
 Width (mm): 100
 Width (in): 3 ¹⁵/₁₆
 Height (mm): 95
 Height (in): 3 ³/₄
 Fixture Finish: SSR / BKV / CWI / CRY / HAB / UFT / ITA / RUA / FTG / MYG / LOD / PUS / FRO / FUP / KIA / POP / BLS / SPG / MEY / GOH / CHC / COM / ABZ / JAG / OBR / MOS / ROR
 Fixture Material: Aluminum

RATINGS AND CERTIFICATIONS

Certified By: Certified for North American Standards
 IP rating: IP20



A3HY40X-SUS-SYS COMPONENTS

PROJECT

TYPE

NOTES

QUANTITY

DATE

A380114

DESCRIPTION

Idaho / Hypro 40 System - Per Meter - Opal Diffuser

GENERAL

Series: Hypro

Subseries: Hypro 40

Partner: Prolicht

Division: Architectural

PHYSICAL

Shape: Rectangle

Length (mm): Max. 3000

Length (in): Max. 118 1/9

Width (mm): 35

Width (in): 1 3/8

Height (mm): 28

Height (in): 1 1/8

Diffuser: PMMA - Opal Diffuser - Per Meter

Fixture Material: Aluminum

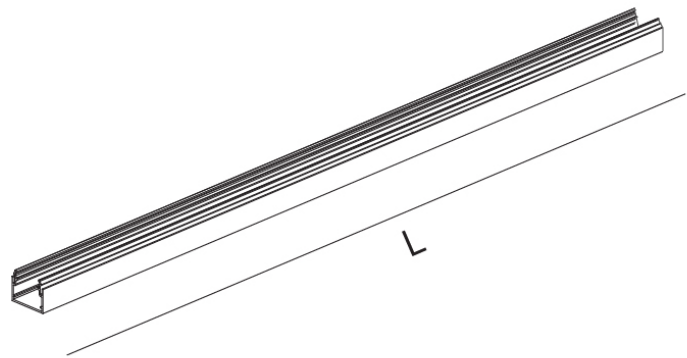
ELECTRICAL

Lamp Type: LED (Zhaga Standard)

RATINGS AND CERTIFICATIONS

Certified By: Certified for North American Standards

IP rating: IP20



PROJECT	_____
TYPE	_____
NOTES	_____
QUANTITY	_____
DATE	_____

A3HY40X-SUS-SYS COMPONENTS

A380117

DESCRIPTION

Idaho / Hypro 40 System - 1128mm - Micro - Prism - Diffuser

GENERAL

Series: Hypro
Subseries: Hypro 40
Partner: Prolicht
Division: Architectural

PHYSICAL

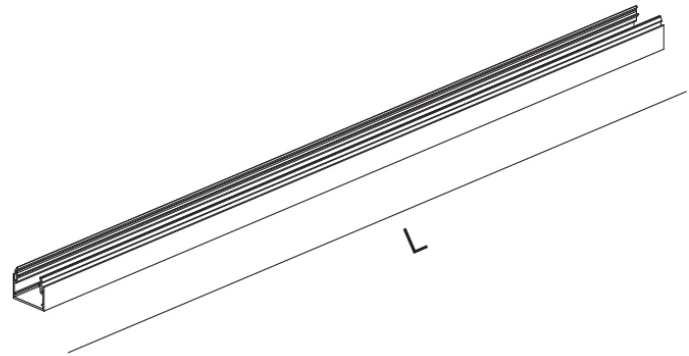
Shape: Rectangle
Length (mm): 1128
Length (in): $44 \frac{7}{16}$
Width (mm): 35
Width (in): $1 \frac{3}{8}$
Height (mm): 28
Height (in): $1 \frac{3}{8}$
Diffuser: PMMA - Micro Prism - Diffuser - Per Meter
Fixture Material: Aluminum

ELECTRICAL

Lamp Type: LED (Zhaga Standard)

RATINGS AND CERTIFICATIONS

Certified By: Certified for North American Standards
IP rating: IP20



PROJECT
TYPE
NOTES
QUANTITY
DATE

A3HY40X-SUS-SYS COMPONENTS

A380118

DESCRIPTION

Idaho 40 / Hypro 40 - Recessed System - Rico Cover - Per Meter - Transparent / Black

GENERAL

Series: Hypro
 Subseries: Hypro 40
 Partner: Prolicht
 Division: Architectural

PHYSICAL

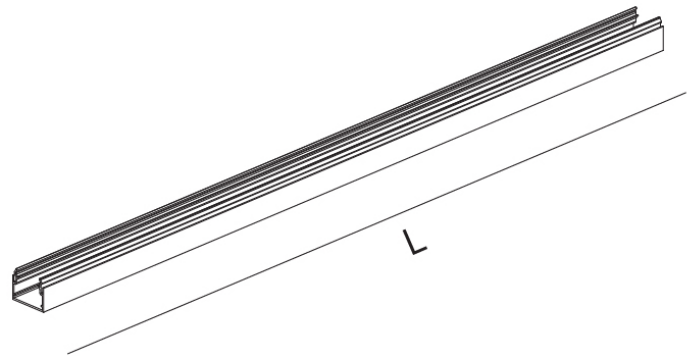
Shape: Rectangle
 Length (mm): Max. 3000mm
 Length (in): Max. 118 1/9
 Width (mm): 29
 Width (in): 1 3/8
 Height (mm): 50
 Height (in): 2
 Weight (kg): 0.138
 Weight (lbs): 0.304
 Diffuser: PMMA - Transparent / Black
 Fixture Material: Aluminum

ELECTRICAL

Lamp Type: LED (Zhaga Standard)

RATINGS AND CERTIFICATIONS

Certified By: Certified for North American Standards
 IP rating: IP20



A3HY40X-SUS-SYS COMPONENTS

A380119

DESCRIPTION

Hypro 40 - Recessed System - Rico Cover - 1128mm -
Transparent / Black

GENERAL

Series: Hypro _____
Subseries: Hypro 40 _____
Partner: Prolicht _____
Division: Architectural _____

PHYSICAL

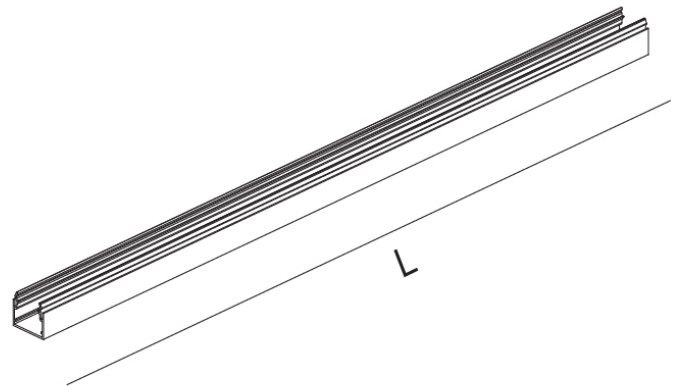
Shape: Rectangle _____
Length (mm): 1128 _____
Length (in): $44 \frac{7}{16}$ _____
Width (mm): 35 _____
Width (in): $1 \frac{3}{8}$ _____
Height (mm): 28 _____
Height (in): $1 \frac{1}{8}$ _____
Diffuser: PMMA - Transparent / Black _____
Fixture Material: Aluminum _____

ELECTRICAL

Lamp Type: LED (Zhaga Standard) _____

RATINGS AND CERTIFICATIONS

Certified By: Certified for North American Standards _____
IP rating: IP20 _____



PROJECT	
TYPE	
NOTES	
QUANTITY	
DATE	

A3HY40X-SUS-SYS COMPONENTS

A380250-

DESCRIPTION

Snooker - Insert for Hypro 40 X - Suspension - 6.4W LED - 2700K / 3000K / 3500K / 4000K, CRI90, Shine Ring - Optic: 32° / 58°

GENERAL

Series: Snooker
 Partner: Prolicht
 Division: Architectural

PHYSICAL

Shape: Sphere
 Diameter (mm): 72
 Diameter (in): 2 ¹³/₁₆
 Height (mm): 71
 Height (in): 2 ¹³/₁₆
 Weight (kg): 0.26
 Fixture Finish: SSR / BKV / CWI / CRY / HAB / UFT / ITA / RUA / FTG / MYG / LOD / PUS / FRO / FUP / KIA / POP / BLS / SPG / MEY / GOH / CHC / COM / ABZ / JAG / OBR / MOS / ROR
 Accent Finish: OPL / YEL / ORA / RED / BLU / GRN
 Fixture Material: Glass / Aluminum

ELECTRICAL

Input Wattage Range: 1 - 9 W
 Lamp Type: LED (Zhaga Standard)
 Input Wattage (W): 6
 Total Output Wattage (W): 5.4
 Dimming: Non-Dimmable / 0-10V Dimming
 Driver Included: Yes
 Driver Location: Integrated
 Driver Type: Constant Current - 120Vac
 Driver Class: Class 2
 Input Voltage (V): 120
 Constant Current (MA): 500

LED

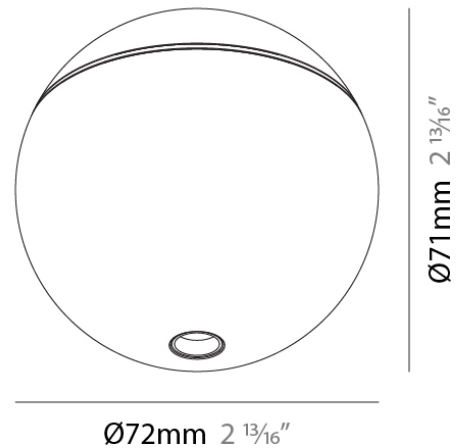
Delivered Lumen Range: 100 - 499 lm
 Color Temperature (°K): 2700 / 3000 / 3500 / 4000
 Max. Delivered Lumen (lm): 284 / 300 / 319 / 325
 Nominal Lumen (lm): 461 / 487 / 517 / 528
 CRI: >90 CRI
 Lamp Life (hrs): 50000

OPTICAL

Optic°: 32 / 58

RATINGS AND CERTIFICATIONS

Certified By: Certified for North American Standards
 IP rating: IP20



A3HY40X-SUS-SYS COMPONENTS

A380264-

DESCRIPTION

Hyline 40 - Linear Insert 705mm / 27 3/4" for HYPRO 40 X
 Suspension: LED 17W Max. - CRI 90 - Non-Dimming / 0-10V
 Dimming - 2700K / 3000K / 3500K / 4000K

GENERAL

Series: Hypro
 Subseries: Hypro 40-X
 Partner: Prolicht
 Division: Architectural
 Light Distribution: Direct

PHYSICAL

Shape: Rectangle
 Length (mm): 705
 Length (in): 27 3/4
 Width (mm): 29
 Width (in): 1 1/8
 Height (mm): 50
 Height (in): 1 15/16
 Diffuser: PMMA - Opal / Prismatic
 Fixture Material: Metal

ELECTRICAL

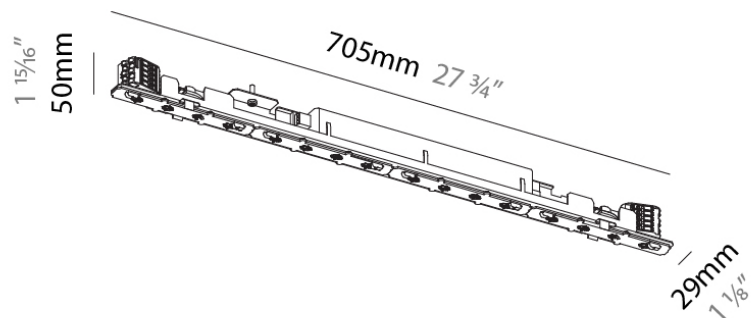
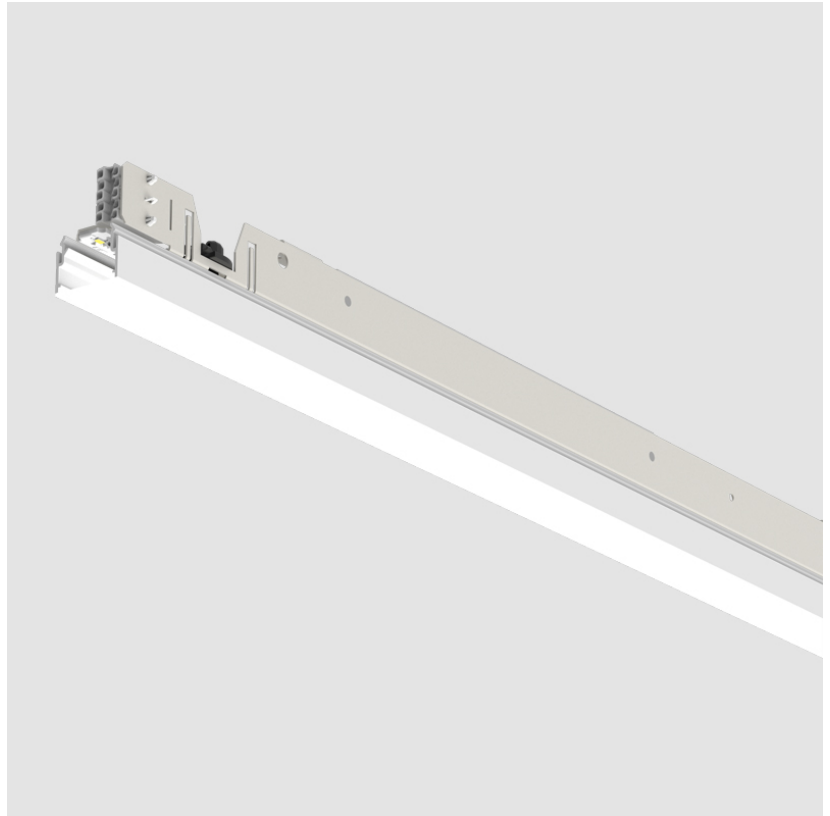
Input Wattage Range: 10 - 19 W
 Lamp Type: LED (Zhaga Standard)
 Input Wattage (W): 15.6
 Total Output Wattage (W): 14.2
 Dimming: Non-Dimmable / 0-10V Dimming
 Driver Included: Yes
 Driver Location: Integrated
 Driver Type: Constant Current - Universal
 Driver Class: Class 2
 Input Voltage (V): 120 - 277
 Constant Current (mA): 350

LED

Delivered Lumen Range: 1000 - 1999 lm
 Color Temperature (°K): 2700 / 3000 / 3500 / 4000
 Max. Delivered Lumen (lm): 1233 / 1281 / 1338 / 1365
 Nominal Lumen (lm): 2028 / 2107 / 2199 / 2244
 CRI: >90 CRI
 Lamp Life (hrs): 50000

RATINGS AND CERTIFICATIONS

Certified By: Certified for North American Standards
 IP rating: IP20



PROJECT
TYPE
NOTES
QUANTITY
DATE

A3HY40X-SUS-SYS COMPONENTS

A380272-

DESCRIPTION

Hypline 40 - Linear Insert 1128mm / 44 7/16" for HYPRO 40 X
 Suspension: LED 26.4W Max. - CRI 90 - Non-Dimming / 0-10V
 Dimming - 2700K / 3000K / 3500K / 4000K

GENERAL

Series: Hypro
 Subseries: Hypro 40-X
 Partner: Prolicht
 Division: Architectural
 Light Distribution: Direct

PHYSICAL

Shape: Rectangle
 Length (mm): 1128
 Length (in): 44 7/16
 Width (mm): 29
 Width (in): 1 1/8
 Height (mm): 50
 Height (in): 1 15/16
 Diffuser: PMMA - Opal / Prismatic
 Fixture Material: Metal

ELECTRICAL

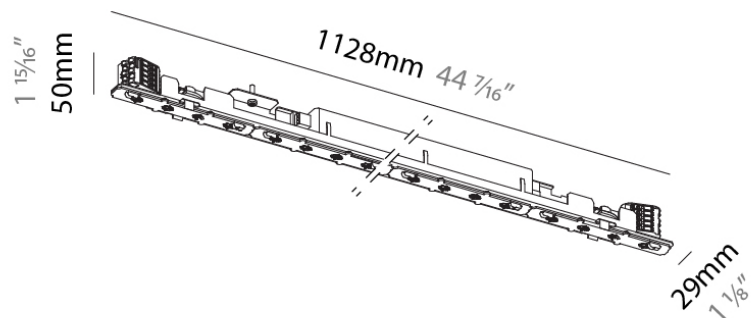
Input Wattage Range: 20 - 29 W
 Lamp Type: LED (Zhaga Standard)
 Input Wattage (W): 25.8
 Total Output Wattage (W): 23.5
 Dimming: Non-Dimmable / 0-10V Dimming
 Driver Included: Yes
 Driver Location: Integrated
 Driver Type: Constant Current - Universal
 Driver Class: Class 2
 Input Voltage (V): 120 - 277
 Constant Current (mA): 350

LED

Delivered Lumen Range: 1000 - 1999 lm
 Color Temperature (°K): 2700 / 3000 / 3500 / 4000
 Max. Delivered Lumen (lm): 1973 / 2050 / 2139 / 2183
 Nominal Lumen (lm): 3245 / 3371 / 3519 / 3591
 CRI: >90 CRI
 Lamp Life (hrs): 50000

RATINGS AND CERTIFICATIONS

Certified By: Certified for North American Standards
 IP rating: IP20



PROJECT
TYPE
NOTES
QUANTITY
DATE

A3HY40X-SUS-SYS COMPONENTS

A380280-

DESCRIPTION

Hypline 40 - Linear Insert 1408mm / 55 7/16" for HYPRO 40 X
 Suspension: LED 33W Max. - CRI 90 - Non-Dimming / 0-10V
 Dimming - 2700K / 3000K / 3500K / 4000K

GENERAL

Series: Hypro
 Subseries: Hypro 40-X
 Partner: Prolicht
 Division: Architectural
 Light Distribution: Direct

PHYSICAL

Shape: Rectangle
 Length (mm): 1408
 Length (in): 55 7/16
 Width (mm): 29
 Width (in): 1 1/8
 Height (mm): 50
 Height (in): 1 15/16
 Diffuser: PMMA - Opal / Prismatic
 Fixture Material: Metal

ELECTRICAL

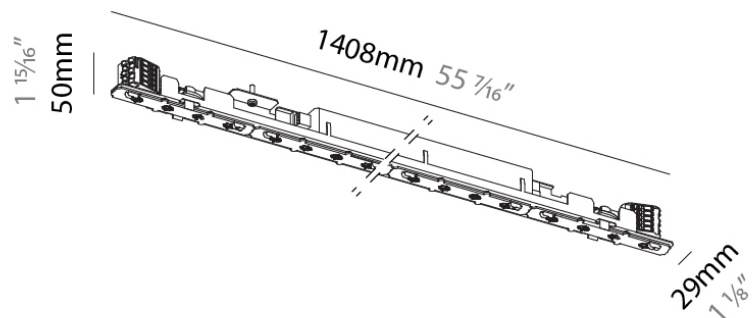
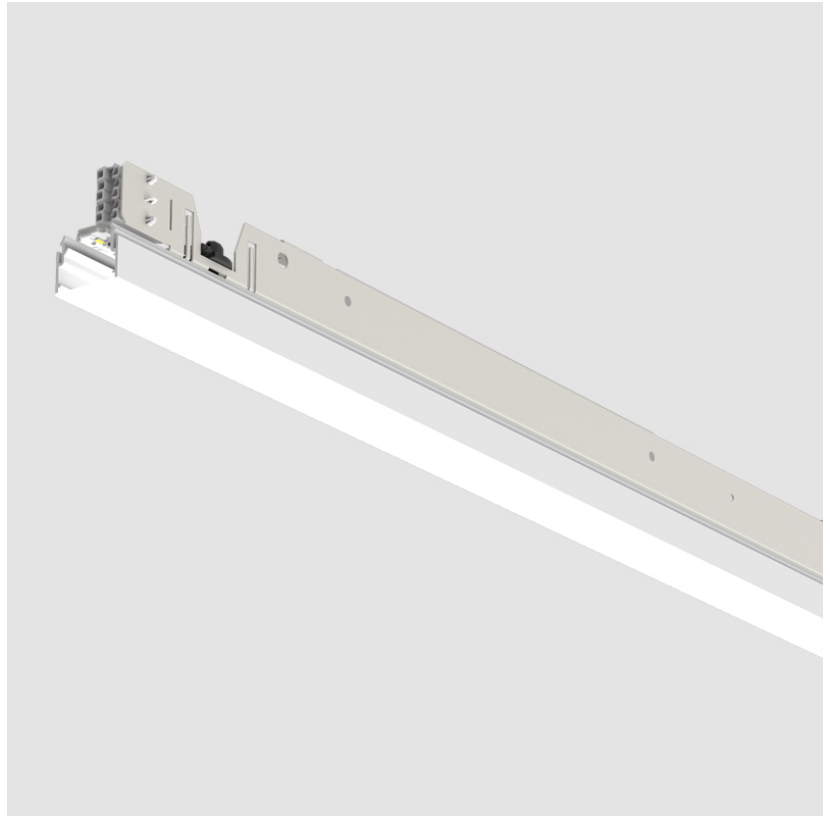
Input Wattage Range: 30 - 49 W
 Lamp Type: LED (Zhaga Standard)
 Input Wattage (W): 32.2
 Total Output Wattage (W): 29.3
 Dimming: Non-Dimmable / 0-10V Dimming
 Driver Included: Yes
 Driver Location: Integrated
 Driver Type: Constant Current - Universal
 Driver Class: Class 2
 Input Voltage (V): 120 - 277
 Constant Current (MA): 350

LED

Delivered Lumen Range: 2000 - 2999 lm
 Color Temperature (°K): 2700 / 3000 / 3500 / 4000
 Max. Delivered Lumen (lm): 2467 / 2562 / 2674 / 2729
 Nominal Lumen (lm): 4057 / 4214 / 4399 / 4489
 CRI: >90 CRI
 Lamp Life (hrs): 50000

RATINGS AND CERTIFICATIONS

Certified By: Certified for North American Standards
 IP rating: IP20



PROJECT	
TYPE	
NOTES	
QUANTITY	
DATE	

A3HY40X-SUS-SYS COMPONENTS

A380309-

DESCRIPTION

Oiko Pro In - Ø65mm / 2-1/2" Track Spot LED Insert for Hypro 40 X Suspension: 20W LED Max. 2700K / 3000K / 3500K / 4000K - CRI90 - 34° - Dimmable

GENERAL

Series: Oiko Pro
 Subseries: Oiko Pro In
 Partner: Prolicht
 Division: Architectural
 Light Distribution: Direct

PHYSICAL

Aperture Sizes - Downlights: 1"
 Shape: Cylinder
 Length (mm): 482
 Length (in): 19
 Width (mm): 65
 Width (in): 2 5/16
 Height (mm): 177
 Height (in): 6 15/16
 Weight (kg): 0.661
 Fixture Finish: SSR / BKV / CWI / CRY / HAB / UFT / ITA / RUA / FTG / MYG / LOD / PUS / FRO / FUP / KIA / POP / BLS / SPG / MEY / GOH / CHC / COM / ABZ / JAG / OBR / MOS / ROR
 Fixture Material: Metal

ELECTRICAL

Input Wattage Range: 10 - 19 W
 Lamp Type: LED (Zhaga Standard)
 Input Wattage (W): 19.9
 Total Output Wattage (W): 18.1
 Dimming: Non-Dimmable / 0-10V Dimming
 Driver Included: Yes
 Driver Location: Integrated
 Driver Type: Constant Current - Universal
 Driver Class: Class 2
 Input Voltage (V): 120 - 277
 Constant Current (MA): 500

LED

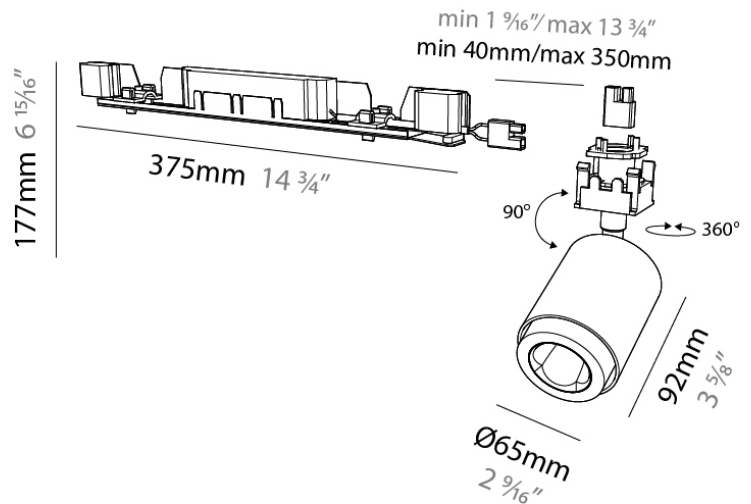
Delivered Lumen Range: 1000 - 1999 lm
 Color Temperature (°K): 2700 / 3000 / 3500 / 4000
 Max. Delivered Lumen (lm): 1410 / 1517 / 1571 / 1603
 Nominal Lumen (lm): 1905 / 2050 / 2123 / 2166
 CRI: >90 CRI
 Lamp Life (hrs): 50000

OPTICAL

Beam Angle: 34
 Adjustability: Rotational 350°; Tilt 90°

RATINGS AND CERTIFICATIONS

Certified By: Certified for North American Standards
 IP rating: IP20



PROJECT
TYPE
NOTES
QUANTITY
DATE

A3HY40X-SUS-SYS COMPONENTS

A380310-

DESCRIPTION

Oiko Pro In - Ø65mm / 2-1/2" Track Spot LED Insert for Hypro 40 X Suspension: TW 2700K-6500K, 15W, Max. 919lm - 1081lm, CRI90, 34° DALI Dimming

GENERAL

Series: Oiko Pro
 Subseries: Oiko Pro In
 Partner: Prolicht
 Division: Architectural
 Light Distribution: Direct

PHYSICAL

Aperture Sizes - Downlights: 1"
 Shape: Cylinder
 Length (mm): 700
 Length (in): 27 9/16
 Width (mm): 65
 Width (in): 2 9/16
 Height (mm): 177
 Height (in): 6 15/16
 Weight (kg): 0.657

Fixture Finish: SSR / BKV / CWI / CRY / HAB / UFT / ITA / RUA / FTG / MYG / LOD / PUS / FRO / FUP / KIA / POP / BLS / SPG / MEY / GOH / CHC / COM / ABZ / JAG / OBR / MOS / ROR

Fixture Material: Metal

ELECTRICAL

Input Wattage Range: 10 - 19 W
 Lamp Type: LED (Zhaga Standard)
 Input Wattage (W): 14
 Total Output Wattage (W): 12.7
 Dimming: Dali Dimming
 Driver Included: Yes
 Driver Location: Integrated
 Driver Type: Constant Current - Universal
 Driver Class: Class 2
 Input Voltage (V): 120 - 277

LED

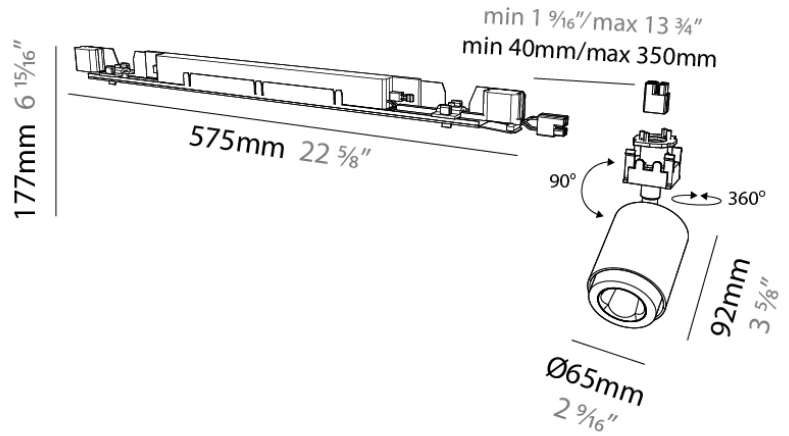
Delivered Lumen Range: 500 - 1999 lm
 Color Temperature (°K): 2700-6500 Tunable White
 Max. Delivered Lumen (lm): 919 - 1081
 CRI: >90 CRI
 Lamp Life (hrs): 50000

OPTICAL

Beam Angle: 34
 Adjustability: Rotational 350°; Tilt 90°

RATINGS AND CERTIFICATIONS

Certified By: Certified for North American Standards
 IP rating: IP20



PROJECT	
TYPE	
NOTES	
QUANTITY	
DATE	

A3HY40X-SUS-SYS COMPONENTS

A380311-

DESCRIPTION

Oiko Pro In - Ø65mm / 2-1/2" Track Spot LED Insert for Hypro 40 X Suspension: 20W LED Max. 2700K / 3000K / 3500K / 4000K - CRI90 - 50° - Dimmable

GENERAL

Series: Oiko Pro
 Subseries: Oiko Pro In
 Partner: Prolicht
 Division: Architectural
 Light Distribution: Direct

PHYSICAL

Aperture Sizes - Downlights: 1"
 Shape: Cylinder
 Length (mm): 482
 Length (in): 19
 Width (mm): 65
 Width (in): 2 5/16
 Height (mm): 166
 Height (in): 6 9/16
 Weight (kg): 0.661
 Fixture Finish: SSR / BKV / CWI / CRY / HAB / UFT / ITA / RUA / FTG / MYG / LOD / PUS / FRO / FUP / KIA / POP / BLS / SPG / MEY / GOH / CHC / COM / ABZ / JAG / OBR / MOS / ROR
 Fixture Material: Metal

ELECTRICAL

Input Wattage Range: 10 - 19 W
 Lamp Type: LED (Zhaga Standard)
 Input Wattage (W): 19.9
 Total Output Wattage (W): 18.1
 Dimming: Non-Dimmable / 0-10V Dimming
 Driver Included: Yes
 Driver Location: Integrated
 Driver Type: Constant Current - Universal
 Driver Class: Class 2
 Input Voltage (V): 120 - 277
 Constant Current (mA): 500

LED

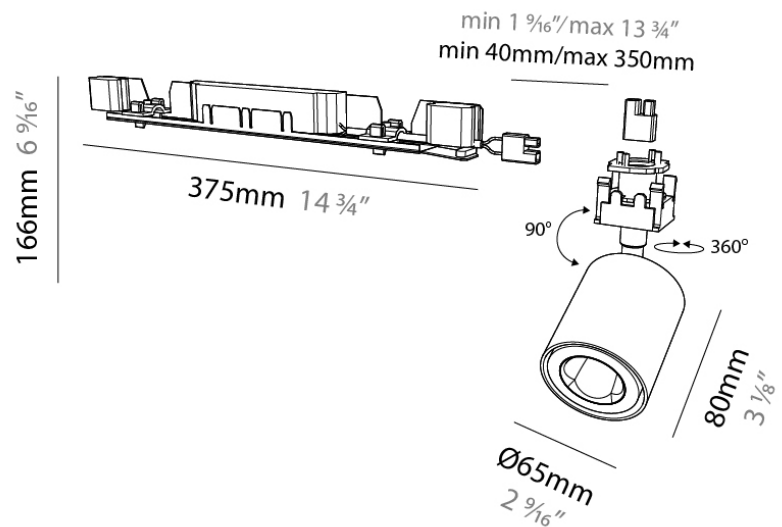
Delivered Lumen Range: 1000 - 1999 lm
 Color Temperature (°K): 2700 / 3000 / 3500 / 4000
 Max. Delivered Lumen (lm): 1547 / 1665 / 1724 / 759
 Nominal Lumen (lm): 1905 / 2050 / 2123 / 2166
 CRI: >90 CRI
 Lamp Life (hrs): 50000

OPTICAL

Beam Angle: 50
 Adjustability: Rotational 350°; Tilt 90°

RATINGS AND CERTIFICATIONS

Certified By: Certified for North American Standards
 IP rating: IP20



PROJECT
TYPE
NOTES
QUANTITY
DATE

A3HY40X-SUS-SYS COMPONENTS

A380312-

DESCRIPTION

Oiko Pro In - Ø65mm / 2-1/2" Track Spot LED Insert for Hypro 40 X Suspension: TW 2700K-6500K, 15W, Max. 1008lm - 1186lm, CRI90, 50° DALI Dimming

GENERAL

Series: Oiko Pro
 Subseries: Oiko Pro In
 Partner: Prolicht
 Division: Architectural
 Light Distribution: Direct

PHYSICAL

Aperture Sizes - Downlights: 1"
 Shape: Cylinder
 Length (mm): 700
 Length (in): 27 9/16
 Width (mm): 65
 Width (in): 2 9/16
 Height (mm): 166
 Height (in): 6 9/16
 Weight (kg): 0.657
 Fixture Finish: SSR / BKV / CWI / CRY / HAB / UFT / ITA / RUA / FTG / MYG / LOD / PUS / FRO / FUP / KIA / POP / BLS / SPG / MEY / GOH / CHC / COM / ABZ / JAG / OBR / MOS / ROR
 Fixture Material: Metal

ELECTRICAL

Input Wattage Range: 10 - 19 W
 Lamp Type: LED (Zhaga Standard)
 Input Wattage (W): 14
 Total Output Wattage (W): 12.7
 Dimming: Dali Dimming
 Driver Included: Yes
 Driver Location: Integrated
 Driver Type: Constant Current - Universal
 Driver Class: Class 2
 Input Voltage (V): 120 - 277

LED

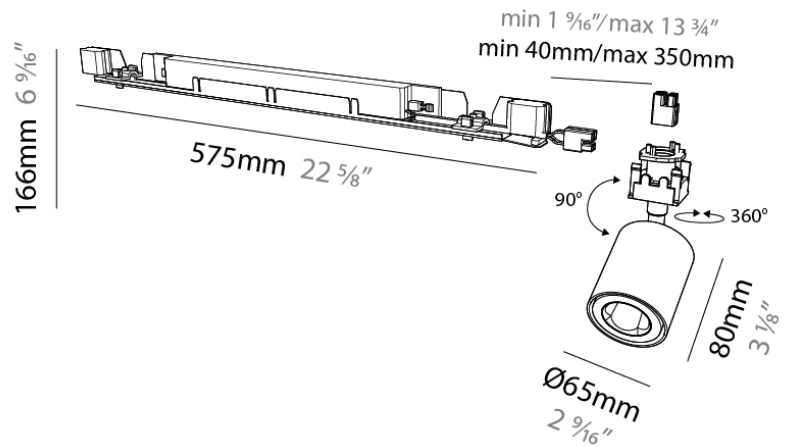
Delivered Lumen Range: 500 - 1999 lm
 Color Temperature (°K): 2700-6500 Tunable White
 Max. Delivered Lumen (lm): 1081 - 1186
 CRI: >90 CRI
 Lamp Life (hrs): 50000

OPTICAL

Beam Angle: 50
 Adjustability: Rotational 350°; Tilt 90°

RATINGS AND CERTIFICATIONS

Certified By: Certified for North American Standards
 IP rating: IP20



PROJECT	
TYPE	
NOTES	
QUANTITY	
DATE	

A3HY40X-SUS-SYS COMPONENTS

A380313-

DESCRIPTION

Oiko Pro In - Ø65mm / 2-1/2" Track Spot LED Insert for Hypro 40 X Suspension: 20W LED Max. 2700K / 3000K / 3500K / 4000K - CRI90 - 60° - Dimmable

GENERAL

Series: Oiko Pro
 Subseries: Oiko Pro In
 Partner: Prolicht
 Division: Architectural
 Light Distribution: Direct

PHYSICAL

Aperture Sizes - Downlights: 1"
 Shape: Cylinder
 Length (mm): 482
 Length (in): 19
 Width (mm): 65
 Width (in): 2 5/16
 Height (mm): 166
 Height (in): 6 9/16
 Weight (kg): 0.661
 Fixture Finish: SSR / BKV / CWI / CRY / HAB / UFT / ITA / RUA / FTG / MYG / LOD / PUS / FRO / FUP / KIA / POP / BLS / SPG / MEY / GOH / CHC / COM / ABZ / JAG / OBR / MOS / ROR
 Fixture Material: Metal

ELECTRICAL

Input Wattage Range: 10 - 19 W
 Lamp Type: LED (Zhaga Standard)
 Input Wattage (W): 19.9
 Total Output Wattage (W): 18.1
 Dimming: Non-Dimmable / 0-10V Dimming
 Driver Included: Yes
 Driver Location: Integrated
 Driver Type: Constant Current - Universal
 Driver Class: Class 2
 Input Voltage (V): 120 - 277
 Constant Current (mA): 500

LED

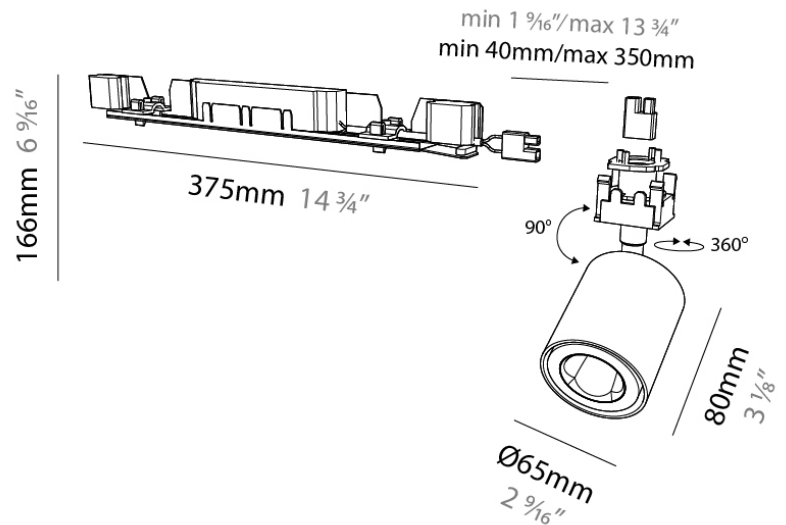
Delivered Lumen Range: 1000 - 1999 lm
 Color Temperature (°K): 2700 / 3000 / 3500 / 4000
 Max. Delivered Lumen (lm): 1699 / 1829 / 1893 / 1932
 Nominal Lumen (lm): 1905 / 1517 / 2123 / 2166
 CRI: >90 CRI
 Lamp Life (hrs): 50000

OPTICAL

Beam Angle: 60
 Adjustability: Rotational 350°; Tilt 90°

RATINGS AND CERTIFICATIONS

Certified By: Certified for North American Standards
 IP rating: IP20



PROJECT
TYPE
NOTES
QUANTITY
DATE

A3HY40X-SUS-SYS COMPONENTS

A380314-

DESCRIPTION

Oiko Pro In - Ø65mm / 2-1/2" Track Spot LED Insert for Hypro 40 X Suspension: TW 2700K-6500K, 15W, Max. 1175lm - 1381lm, CRI90, 68° DALI Dimming

GENERAL

Series: Oiko Pro
 Subseries: Oiko Pro In
 Partner: Prolicht
 Division: Architectural
 Light Distribution: Direct

PHYSICAL

Aperture Sizes - Downlights: 1"
 Shape: Cylinder
 Length (mm): 700
 Length (in): 27 9/16
 Width (mm): 65
 Width (in): 2 9/16
 Height (mm): 166
 Height (in): 6 9/16
 Weight (kg): 0.657

Fixture Finish: SSR / BKV / CWI / CRY / HAB / UFT / ITA / RUA / FTG / MYG / LOD / PUS / FRO / FUP / KIA / POP / BLS / SPG / MEY / GOH / CHC / COM / ABZ / JAG / OBR / MOS / ROR

Fixture Material: Metal

ELECTRICAL

Input Wattage Range: 10 - 19 W
 Lamp Type: LED (Zhaga Standard)
 Input Wattage (W): 14
 Total Output Wattage (W): 12.7
 Dimming: Dali Dimming
 Driver Included: Yes
 Driver Location: Integrated
 Driver Type: Constant Current - Universal
 Driver Class: Class 2
 Input Voltage (V): 120 - 277

LED

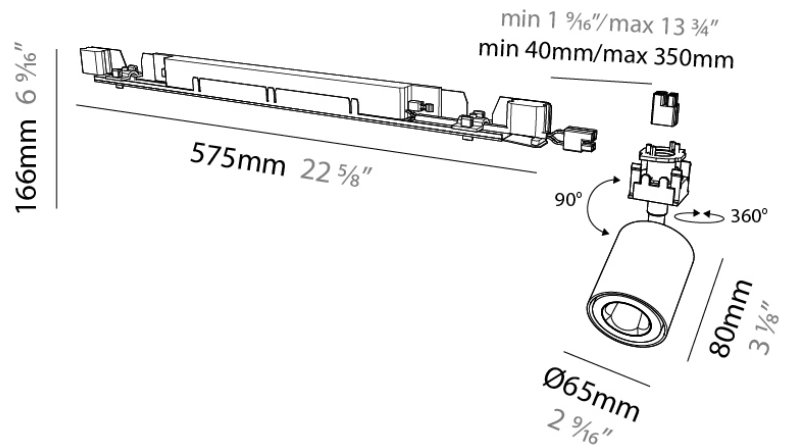
Delivered Lumen Range: 500 - 1999 lm
 Color Temperature (°K): 2700-6500 Tunable White
 Max. Delivered Lumen (lm): 1175 - 138
 CRI: >90 CRI
 Lamp Life (hrs): 50000

OPTICAL

Beam Angle: 68
 Adjustability: Rotational 350°; Tilt 90°

RATINGS AND CERTIFICATIONS

Certified By: Certified for North American Standards
 IP rating: IP20



PROJECT
TYPE
NOTES
QUANTITY
DATE

A3HY40X-SUS-SYS COMPONENTS

A380315-

DESCRIPTION

Oiko Pro In - Ø65mm / 2-1/2" Track Spot LED Insert for Hypro 40 X Suspension Wallwash: 20W LED Max. 2700K / 3000K / 3500K / 4000K - CRI90 - Dimmable

GENERAL

Series: Oiko Pro
 Subseries: Oiko Pro In
 Partner: Prolicht
 Division: Architectural
 Light Distribution: Direct

PHYSICAL

Aperture Sizes - Downlights: 1"
 Shape: Cylinder
 Length (mm): 482
 Length (in): 19
 Width (mm): 65
 Width (in): 2 9/16
 Height (mm): 166
 Height (in): 6 9/16
 Weight (kg): 0.661
 Fixture Finish: SSR / BKV / CWI / CRY / HAB / UFT / ITA / RUA / FTG / MYG / LOD / PUS / FRO / FUP / KIA / POP / BLS / SPG / MEY / GOH / CHC / COM / ABZ / JAG / OBR / MOS / ROR
 Fixture Material: Metal

ELECTRICAL

Input Wattage Range: 10 - 19 W
 Lamp Type: LED (Zhaga Standard)
 Input Wattage (W): 19.9
 Total Output Wattage (W): 18.1
 Dimming: Non-Dimmable / 0-10V Dimming
 Driver Included: Yes
 Driver Location: Integrated
 Driver Type: Constant Current - Universal
 Driver Class: Class 2
 Input Voltage (V): 120 - 277
 Constant Current (mA): 500

LED

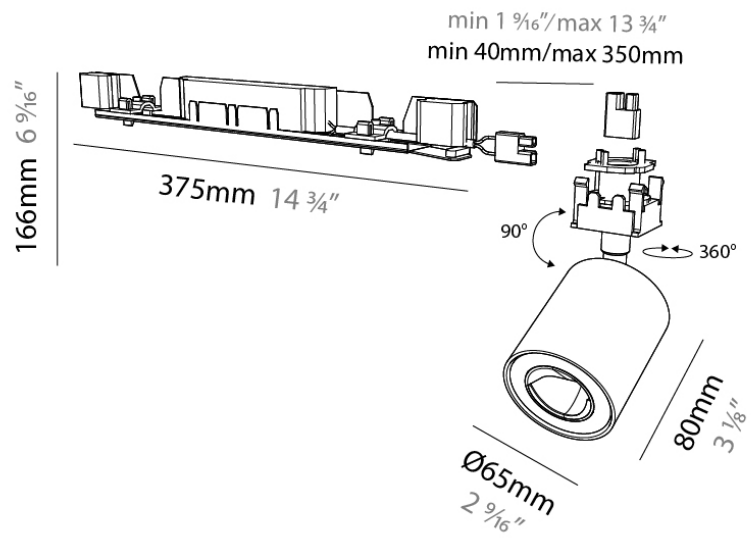
Delivered Lumen Range: 1000 - 1999 lm
 Color Temperature (°K): 2700 / 3000 / 3500 / 4000
 Max. Delivered Lumen (lm): 1516 / 1632 / 1690 / 1724
 Nominal Lumen (lm): 1905 / 1517 / 2123 / 2166
 CRI: >90 CRI
 Lamp Life (hrs): 50000

OPTICAL

Adjustability: Rotational 350°; Tilt 90°

RATINGS AND CERTIFICATIONS

Certified By: Certified for North American Standards
 IP rating: IP20



PROJECT
TYPE
NOTES
QUANTITY
DATE

A3HY40X-SUS-SYS COMPONENTS

A380316-

DESCRIPTION

Oiko Pro In - Ø65mm / 2-1/2" Track Spot LED Insert for Hypro 40 X Suspension Wallwash: TW 2700K-6500K, 15W, Max. 988lm - 1081lm, CRI90, DALI Dimming

GENERAL

Series: Oiko Pro
 Subseries: Oiko Pro In
 Partner: Prolicht
 Division: Architectural
 Light Distribution: Direct

PHYSICAL

Aperture Sizes - Downlights: 1"
 Shape: Cylinder
 Length (mm): 700
 Length (in): 27 9/16
 Width (mm): 65
 Width (in): 2 9/16
 Height (mm): 166
 Height (in): 6 9/16
 Weight (kg): 0.657

Fixture Finish: SSR / BKV / CWI / CRY / HAB / UFT / ITA / RUA / FTG / MYG / LOD / PUS / FRO / FUP / KIA / POP / BLS / SPG / MEY / GOH / CHC / COM / ABZ / JAG / OBR / MOS / ROR

Fixture Material: Metal

ELECTRICAL

Input Wattage Range: 10 - 19 W
 Lamp Type: LED (Zhaga Standard)
 Input Wattage (W): 14
 Total Output Wattage (W): 12.7
 Dimming: Dali Dimming
 Driver Included: Yes
 Driver Location: Integrated
 Driver Type: Constant Current - Universal
 Driver Class: Class 2
 Input Voltage (V): 120 - 277

LED

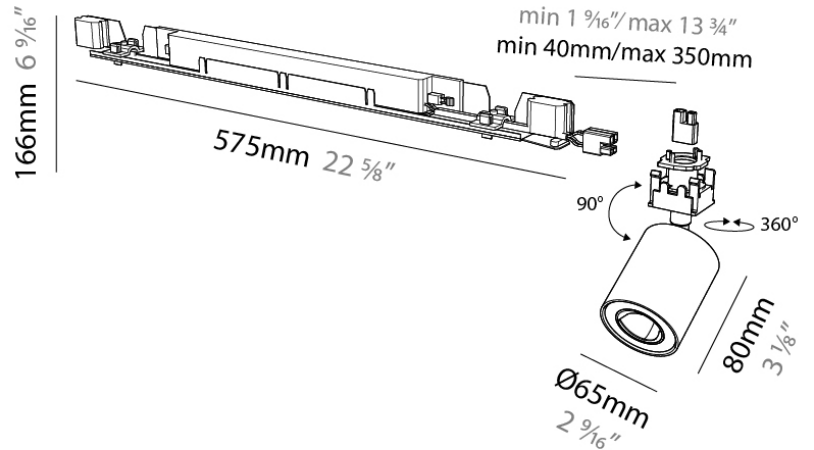
Delivered Lumen Range: 500 - 1999 lm
 Color Temperature (°K): 2700-6500 Tunable White
 Max. Delivered Lumen (lm): 988 - 1081
 CRI: >90 CRI
 Lamp Life (hrs): 50000

OPTICAL

Adjustability: Rotational 350°; Tilt 90°

RATINGS AND CERTIFICATIONS

Certified By: Certified for North American Standards
 IP rating: IP20



PROJECT	
TYPE	
NOTES	
QUANTITY	
DATE	

A3HY40X-SUS-SYS COMPONENTS

A380317-

DESCRIPTION

Oiko Pro In - Ø65mm / 2-1/2" Track Spot LED Insert for Hypro 40 X Suspension Wallwash: 20W LED Max. 2700K / 3000K / 3500K / 4000K - CRI90 - 14° Dimmable

GENERAL

Series: Oiko Pro
 Subseries: Oiko Pro In
 Partner: Prolicht
 Division: Architectural
 Light Distribution: Direct

PHYSICAL

Aperture Sizes - Downlights: 1"
 Shape: Cylinder
 Length (mm): 482
 Length (in): 19
 Width (mm): 65
 Width (in): 2 5/16
 Height (mm): 166
 Height (in): 6 9/16
 Weight (kg): 0.661
 Fixture Finish: SSR / BKV / CWI / CRY / HAB / UFT / ITA / RUA / FTG / MYG / LOD / PUS / FRO / FUP / KIA / POP / BLS / SPG / MEY / GOH / CHC / COM / ABZ / JAG / OBR / MOS / ROR
 Fixture Material: Metal

ELECTRICAL

Input Wattage Range: 20 - 29 W
 Lamp Type: LED (Zhaga Standard)
 Input Wattage (W): 20.5
 Total Output Wattage (W): 18.6
 Dimming: Non-Dimmable / 0-10V Dimming
 Driver Included: Yes
 Driver Location: Integrated
 Driver Type: Constant Current - Universal
 Driver Class: Class 2
 Input Voltage (V): 120 - 277
 Constant Current (MA): 500

LED

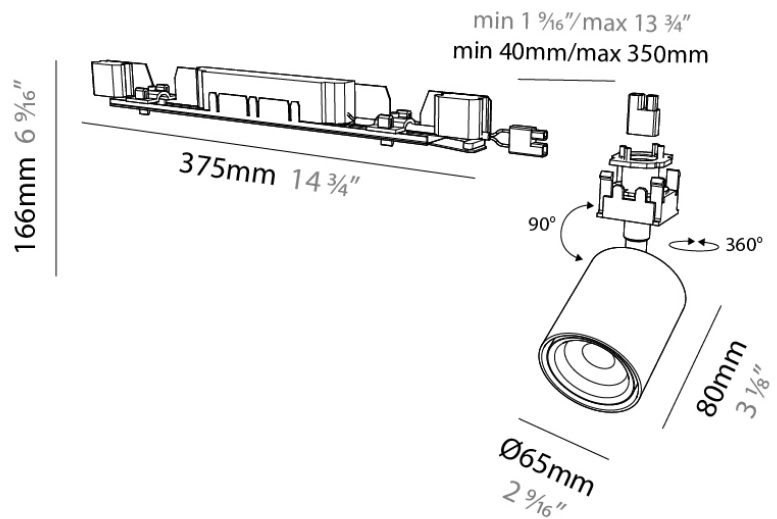
Delivered Lumen Range: 1000 - 1999 lm
 Color Temperature (°K): 2700 / 3000 / 3500 / 4000
 Max. Delivered Lumen (lm): 1278 / 1377 / 1432 / 1461
 Nominal Lumen (lm): 1688 / 1797 / 1869 / 1907
 CRI: >90 CRI
 Lamp Life (hrs): 50000

OPTICAL

Beam Angle: 14
 Adjustability: Rotational 350°; Tilt 90°

RATINGS AND CERTIFICATIONS

Certified By: Certified for North American Standards
 IP rating: IP20



A3HY40X-SUS-SYS COMPONENTS

A380352-

DESCRIPTION

Centriq In 65 - Hypro 40 X - Suspension - Spot Insert - 65mm / 2 9/16" - 23W LED (Zhaga Standard) - 2700K / 3000K / 3500K / 4000K - Reflector: 24° / 36° / 52° - Lens Pack

GENERAL

Series: Centriq
 Subseries: Centriq In
 Partner: Prolicht
 Division: Architectural
 Product Type: Spots
 Light Distribution: Adjustable

PHYSICAL

Aperture Sizes - Downlights: 2"
 Shape: Cylinder
 Diameter (mm): 65
 Diameter (in): 2 9/16
 Length (mm): 375
 Length (in): 14 3/4
 Height (mm): 165
 Height (in): 6 1/2
 Diffuser: Lens Pack - No Lens / Opal / Linear Spread Lens / Honeycomb / Spread Lens
 Fixture Finish: SSR / BKV / CWI / CRY / HAB / UFT / ITA / RUA / FTG / MYG / LOD / PUS / FRO / FUP / KIA / POP / BLS / SPG / MEY / GOH / CHC / COM / ABZ / JAG / OBR / MOS / ROR
 Fixture Material: Aluminum

ELECTRICAL

Input Wattage Range: 20 - 29 W
 Lamp Type: LED (Zhaga Standard)
 Input Wattage (W): 23
 Total Output Wattage (W): 20.9
 Dimming: Non-Dimmable
 Driver Included: Yes
 Driver Location: Integrated
 Driver Type: Constant Current - Universal
 Driver Class: Class 2
 Input Voltage (V): 120 - 277
 Upon Request: 0 - 10V Dimming

LED

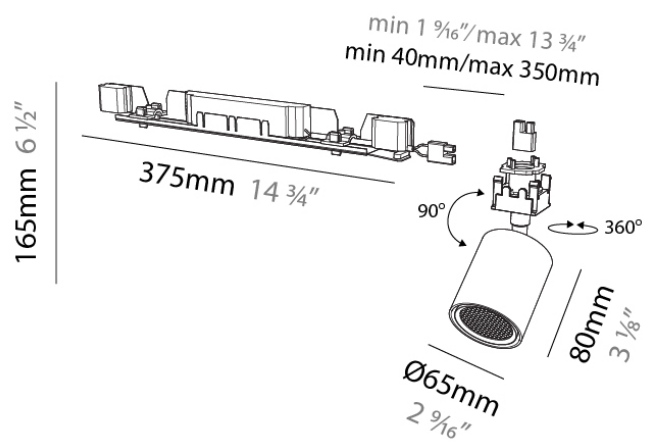
Delivered Lumen Range: 1000 - 2999 lm
 Color Temperature (°K): 2700 / 3000 / 3500 / 4000
 Max. Delivered Lumen (lm): 1946 / 2026 / 2167 / 2211
 Nominal Lumen (lm): 2429 / 2529 / 2706 / 2761
 CRI: >90 CRI
 Lamp Life (hrs): 50000

OPTICAL

Reflector: 24 / 36 / 52

RATINGS AND CERTIFICATIONS

Certified By: Certified for North American Standards
 IP rating: IP20



A3HY40X-SUS-SYS COMPONENTS

A380353-

DESCRIPTION

Centriq In 65 - Hypro 40 X - Suspension - Spot Insert - 65mm / 2 9/16" - 15W LED (Zhaga Standard) - Tunable White (2700K - 6500K) - Max 1269lm - Reflector: 24° / 36° / 52° - Lens Pack

GENERAL

Series: Centriq
 Subseries: Centriq In
 Partner: Prolicht
 Division: Architectural
 Product Type: Spots
 Light Distribution: Adjustable

PHYSICAL

Aperture Sizes - Downlights: 2"
 Shape: Cylinder
 Diameter (mm): 65
 Diameter (in): 2 9/16
 Length (mm): 575
 Length (in): 22 5/8
 Height (mm): 165
 Height (in): 6 1/2
 Diffuser: Lens Pack - No Lens / Opal / Linear Spread Lens / Honeycomb / Spread Lens
 Fixture Finish: SSR / BKV / CWI / CRY / HAB / UFT / ITA / RUA / FTG / MYG / LOD / PUS / FRO / FUP / KIA / POP / BLS / SPG / MEY / GOH / CHC / COM / ABZ / JAG / OBR / MOS / ROR
 Fixture Material: Aluminum

ELECTRICAL

Input Wattage Range: 10 - 19 W
 Lamp Type: LED (Zhaga Standard)
 Input Wattage (W): 14
 Total Output Wattage (W): 12.7
 Dimming: Non-Dimmable
 Driver Included: Yes
 Driver Location: Integrated
 Driver Type: Constant Current - Universal
 Driver Class: Class 2
 Input Voltage (V): 120 - 277
 Upon Request: 0 - 10V Dimming

LED

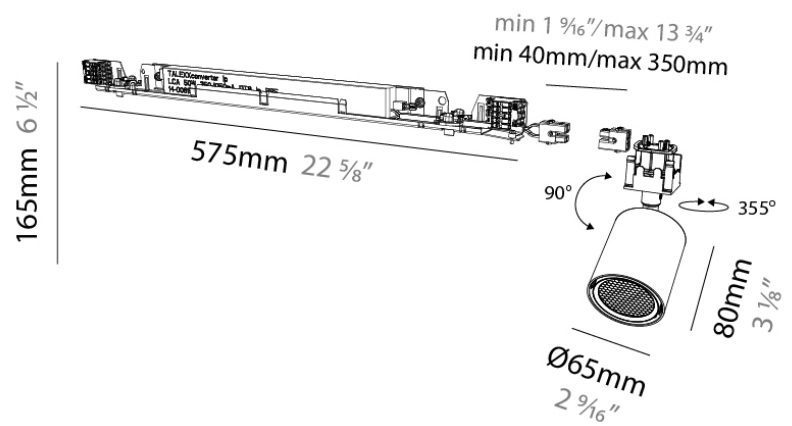
Delivered Lumen Range: 1000 - 1999 lm
 Color Temperature (°K): 2700-6500 Tunable White
 Max. Delivered Lumen (lm): 1079 - 1269
 CRI: >90 CRI
 Lamp Life (hrs): 50000

OPTICAL

Reflector: 18 / 34 / 54

RATINGS AND CERTIFICATIONS

Certified By: Certified for North American Standards
 IP rating: IP20



A3HY40X-SUS-SYS COMPONENTS

A380354-

DESCRIPTION

Centriq In 65 Flex - Hypro 40 X - Suspension - Spot Insert - 65mm / 2 9/16" - 21W LED (Zhaga Standard) - 2700K / 3000K / 3500K / 4000K - Reflector: 14° / 30° / 44°

GENERAL

Series: Centriq

Subseries: Centriq In Flex

Partner: Prolicht

Division: Architectural

Product Type: Spots

Light Distribution: Adjustable

PHYSICAL

Aperture Sizes - Downlights: 2"

Shape: Cylinder

Diameter (mm): 65

Diameter (in): 2 9/16

Length (mm): 375

Length (in): 14 3/4

Height (mm): 170

Height (in): 6 11/16

Fixture Finish: SSR / BKV / CWI / CRY / HAB / UFT / ITA / RUA / FTG / MYG / LOD / PUS / FRO / FUP / KIA / POP / BLS / SPG / MEY / GOH / CHC / COM / ABZ / JAG / OBR / MOS / ROR

Fixture Material: Aluminum

ELECTRICAL

Input Wattage Range: 20 - 29 W

Lamp Type: LED (Zhaga Standard)

Input Wattage (W): 20

Total Output Wattage (W): 18.1

Dimming: Non-Dimmable

Driver Included: Yes

Driver Location: Integrated

Driver Type: Constant Current - Universal

Driver Class: Class 2

Input Voltage (V): 120 - 277

Upon Request: 0 - 10V Dimming

LED

Delivered Lumen Range: 1000 - 1999 lm

Color Temperature (°K): 2700 / 3000 / 3500 / 4000

Max. Delivered Lumen (lm): 1127 / 1214 / 1262 / 1288

Nominal Lumen (lm): 1688 / 1797 / 1869 / 1907

Lamp Life (hrs): 50000

OPTICAL

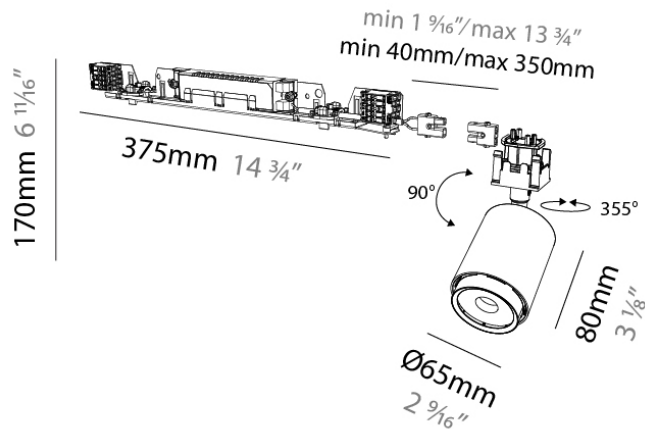
Reflector°: 14 / 30 / 44

Adjustability: Rotational 360°; Tilt 90°

RATINGS AND CERTIFICATIONS

Certified By: Certified for North American Standards

IP rating: IP20



PROJECT
TYPE
NOTES
QUANTITY
DATE

A3HY40X-SUS-SYS COMPONENTS

A380355-

DESCRIPTION

Centriq In 65 - Hypro 40 X - Suspension - Spot Insert - 65mm / 2 9/16" - 23W LED (Zhaga Standard) - 2700K / 3000K / 3500K / 4000K - Lens Pack

GENERAL

Series: Centriq
 Subseries: Centriq In
 Partner: Prolicht
 Division: Architectural
 Product Type: Spots
 Light Distribution: Adjustable

PHYSICAL

Aperture Sizes - Downlights: 2"
 Shape: Cylinder
 Diameter (mm): 65
 Diameter (in): 2 9/16
 Length (mm): 375
 Length (in): 14 3/4
 Height (mm): 165
 Height (in): 6 1/2

Fixture Finish: SSR / BKV / CWI / CRY / HAB / UFT / ITA / RUA / FTG / MYG / LOD / PUS / FRO / FUP / KIA / POP / BLS / SPG / MEY / GOH / CHC / COM / ABZ / JAG / OBR / MOS / ROR

Fixture Material: Aluminum

ELECTRICAL

Input Wattage Range: 20 - 29 W
 Lamp Type: LED (Zhaga Standard)
 Input Wattage (W): 20
 Total Output Wattage (W): 18.1
 Dimming: Non-Dimmable
 Driver Included: Yes
 Driver Location: Integrated
 Driver Type: Constant Current - Universal
 Driver Class: Class 2
 Input Voltage (V): 120 - 277
 Upon Request: 0 - 10V Dimming

LED

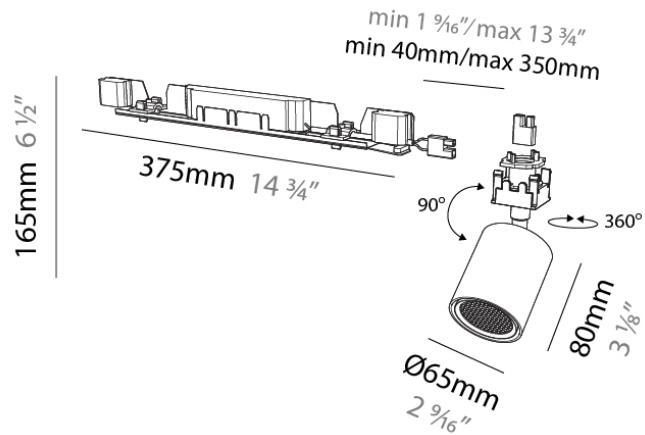
Delivered Lumen Range: 1000 - 2999 lm
 Color Temperature (°K): 2700 / 3000 / 3500 / 4000
 Max. Delivered Lumen (lm): 1360 / 1465 / 1523 / 1554
 Nominal Lumen (lm): 1668 / 1797 / 1869 / 1907
 CRI: >90 CRI
 Lamp Life (hrs): 50000

OPTICAL

Reflector°: 12
 Adjustability: Rotational 360°; Tilt 90°

RATINGS AND CERTIFICATIONS

Certified By: Certified for North American Standards
 IP rating: IP20



A3HY40X-SUS-SYS COMPONENTS

A380356-

DESCRIPTION

Centriq In 65 - Hypro 40 X - Suspension - Spot Insert - 65mm / 2 9/16" - 9W LED (Zhaga Standard) - Tunable White (2700K - 6500K) - Max 569lm - Lens Pack

GENERAL

Series: Centriq
 Subseries: Centriq In
 Partner: Prolicht
 Division: Architectural
 Product Type: Spots
 Light Distribution: Adjustable

PHYSICAL

Aperture Sizes - Downlights: 2"
 Shape: Cylinder
 Diameter (mm): 65
 Diameter (in): 2 9/16
 Length (mm): 575
 Length (in): 22 5/8
 Height (mm): 165
 Height (in): 6 1/2
 Diffuser: Lens Pack - No Lens / Opal / Linear Spread Lens / Honeycomb / Spread Lens
 Fixture Finish: SSR / BKV / CWI / CRY / HAB / UFT / ITA / RUA / FTG / MYG / LOD / PUS / FRO / FUP / KIA / POP / BLS / SPG / MEY / GOH / CHC / COM / ABZ / JAG / OBR / MOS / ROR
 Fixture Material: Aluminum

ELECTRICAL

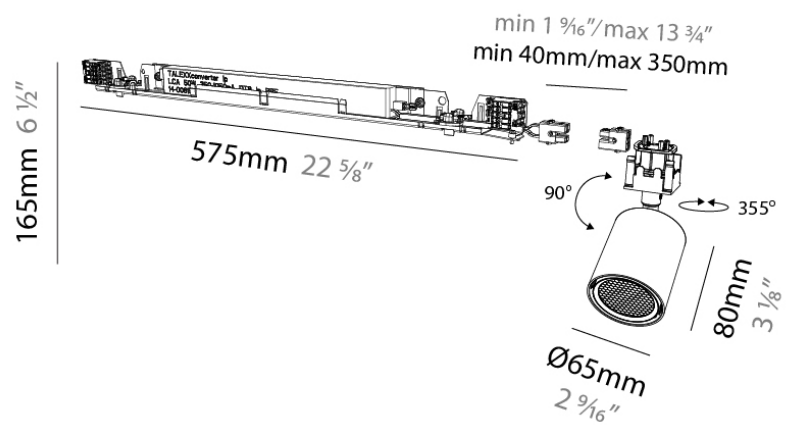
Input Wattage Range: 1 - 9 W
 Lamp Type: LED (Zhaga Standard)
 Input Wattage (W): 8
 Total Output Wattage (W): 7.3
 Dimming: Non-Dimmable
 Driver Included: Yes
 Driver Location: Integrated
 Driver Type: Constant Current - Universal
 Driver Class: Class 2
 Input Voltage (V): 120 - 277
 Upon Request: 0 - 10V Dimming

LED

Delivered Lumen Range: 500 - 999 lm
 Color Temperature (°K): 2700-6500 Tunable White
 Max. Delivered Lumen (lm): 490 - 564
 CRI: >90 CRI
 Lamp Life (hrs): 50000

RATINGS AND CERTIFICATIONS

Certified By: Certified for North American Standards
 IP rating: IP20



PROJECT	
TYPE	
NOTES	
QUANTITY	
DATE	

A3HY40X-SUS-SYS COMPONENTS

A380357-

DESCRIPTION

Centriq IN 83 - Track Spot 83mm for Hypro 40 Suspension LED: 36W, Max. 3450lm, CRI: > 90, Dimmable - 2700K / 3000K / 3500K / 4000K

GENERAL

Series: Centriq
 Subseries: Centriq In
 Partner: Prolicht
 Division: Architectural
 Product Type: Spots
 Mounting Location: Ceiling
 Light Distribution: Adjustable

PHYSICAL

Aperture Sizes - Downlights: 2"
 Shape: Cylinder
 Diameter (mm): 83
 Diameter (in): 3 ¼
 Length (mm): 375
 Length (in): 14 ¾
 Height (mm): 190
 Height (in): 7 ½
 Weight (kg): 0.965
 Diffuser: Lens Pack - Spread Lens / Linear Spread Lens / Honeycomb Louver
 Fixture Finish: SSR / BKV / CWI / CRY / HAB / UFT / ITA / RUA / FTG / MYG / LOD / PUS / FRO / FUP / KIA / POP / BLS / SPG / MEY / GOH / CHC / COM / ABZ / JAG / OBR / MOS / ROR
 Fixture Material: Aluminum

ELECTRICAL

Input Wattage Range: 30 - 49 W
 Lamp Type: LED (Zhaga Standard)
 Input Wattage (W): 36
 Total Output Wattage (W): 32.7
 Dimming: Non-Dimmable
 Driver Included: No
 Driver Location: Remote
 Driver Type: Constant Voltage - Universal
 Driver Class: Class 2
 Input Voltage (V): 120 - 277
 Constant Current (mA): 900
 Upon Request: 0 - 10V Dimming

LED

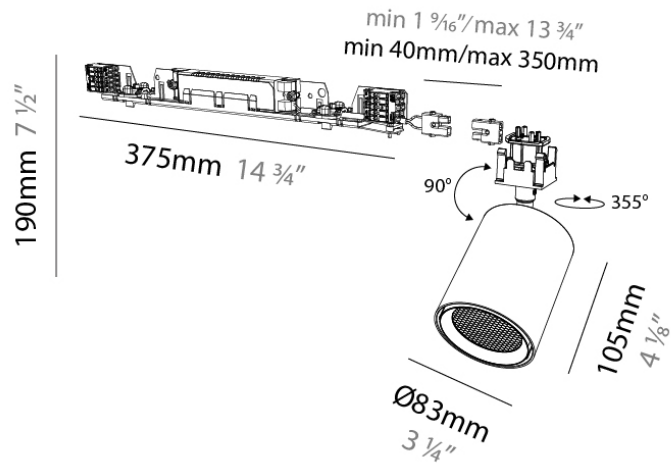
Delivered Lumen Range: 3000 - 4999 lm
 Number of LEDs: 1
 Color Temperature (°K): 2700 / 3000 / 3500 / 4000
 Max. Delivered Lumen (lm): 3030 / 3156 / 3381 / 3450
 Nominal Lumen (lm): 3471 / 3615 / 3873 / 3952
 CRI: >90 CRI
 Lamp Life (hrs): 50000

OPTICAL

Reflector: 20 / 32 / 54
 Adjustability: Rotational 360°; Tilt 90°

RATINGS AND CERTIFICATIONS

Certified By: Certified for North American Standards
 IP rating: IP20



PROJECT
TYPE
NOTES
QUANTITY
DATE

A3HY40X-SUS-SYS COMPONENTS

A380358-

DESCRIPTION

Centriq In 83 - Hypro 40 - Suspension - Spot Insert - 83mm / 3 1/4" - 36W LED (Zhaga Standard) - Tunable White (2700K - 6500K) - Max 2907lm - Reflector: 24° / 34° / 54° - Lens Pack

GENERAL

Series: Centriq
 Subseries: Centriq In
 Partner: Prolicht
 Division: Architectural
 Product Type: Spots
 Light Distribution: Adjustable

PHYSICAL

Aperture Sizes - Downlights: 2"
 Shape: Cylinder
 Diameter (mm): 83
 Diameter (in): 3 1/4
 Length (mm): 575
 Length (in): 22 5/8
 Height (mm): 190
 Height (in): 7 1/2
 Diffuser: Lens Pack - No Lens / Opal / Linear Spread Lens / Honeycomb / Spread Lens
 Fixture Finish: SSR / BKV / CWI / CRY / HAB / UFT / ITA / RUA / FTG / MYG / LOD / PUS / FRO / FUP / KIA / POP / BLS / SPG / MEY / GOH / CHC / COM / ABZ / JAG / OBR / MOS / ROR
 Fixture Material: Aluminum

ELECTRICAL

Input Wattage Range: 30 - 49 W
 Lamp Type: LED (Zhaga Standard)
 Input Wattage (W): 35
 Total Output Wattage (W): 31.8
 Dimming: Non-Dimmable
 Driver Included: Yes
 Driver Location: Integrated
 Driver Type: Constant Current - Universal
 Driver Class: Class 2
 Input Voltage (V): 120 - 277
 Upon Request: 0 - 10V Dimming

LED

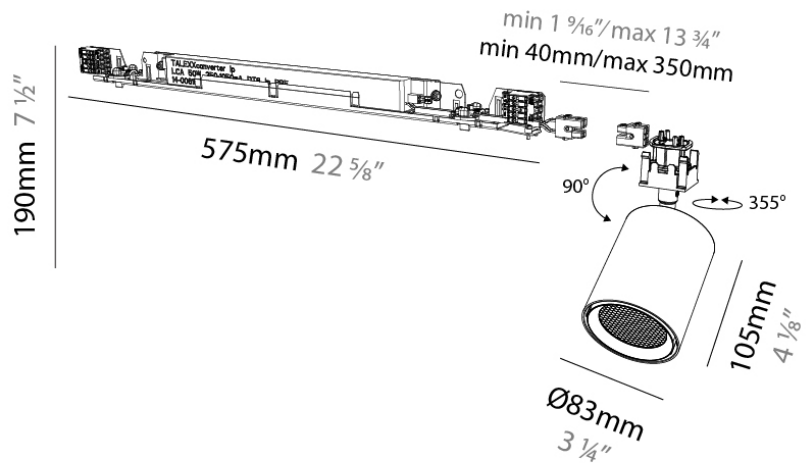
Delivered Lumen Range: 2000 - 2999 lm
 Color Temperature (°K): 2700-6500 Tunable White
 Max. Delivered Lumen (lm): 2568 - 2907
 CRI: >90 CRI
 Lamp Life (hrs): 50000

OPTICAL

Reflector: 24 / 34 / 54
 Adjustability: Rotational 360°; Tilt 90°

RATINGS AND CERTIFICATIONS

Certified By: Certified for North American Standards
 IP rating: IP20



A3HY40X-SUS-SYS COMPONENTS

A380359-

DESCRIPTION

Centriq IN 83 Flex - Track Spot 83mm for Hypro 40 X Suspension
 LED: 20W, Max., 2700K / 3000K / 3500K / 4000K, CRI: > 90,
 Dimmable - Reflector: 14° - 44°

GENERAL

Series: Centriq

Subseries: Centriq In Flex

Partner: Prolicht

Division: Architectural

Product Type: Spots

Light Distribution: Adjustable

PHYSICAL

Aperture Sizes - Downlights: 2"

Shape: Cylinder

Diameter (mm): 83

Diameter (in): 3 1/4

Length (mm): 375

Length (in): 14 3/4

Height (mm): 190

Height (in): 7 1/2

Weight (kg): 0.982

Fixture Finish: SSR / BKV / CWI / CRY / HAB / UFT / ITA / RUA / FTG /
 MYG / LOD / PUS / FRO / FUP / KIA / POP / BLS / SPG / MEY / GOH /
 CHC / COM / ABZ / JAG / OBR / MOS / ROR

Fixture Material: Aluminum

ELECTRICAL

Input Wattage Range: 20 - 29 W

Lamp Type: LED (Zhaga Standard)

Input Wattage (W): 20

Total Output Wattage (W): 18.1

Dimming: Non-Dimmable

Driver Included: Yes

Driver Location: Integrated

Driver Type: Constant Current - Universal

Driver Class: Class 2

Input Voltage (V): 120 - 277

Upon Request: 0 - 10V Dimming

LED

Delivered Lumen Range: 1000 - 2999 lm

Number of LEDs: 1

Color Temperature (°K): 2700 / 3000 / 3500 / 4000

Max. Delivered Lumen (lm): 1205 / 1298 / 1349 / 1377

Nominal Lumen (lm): 1668 / 1797 / 1869 / 1907

CRI: >90 CRI

Lamp Life (hrs): 50000

OPTICAL

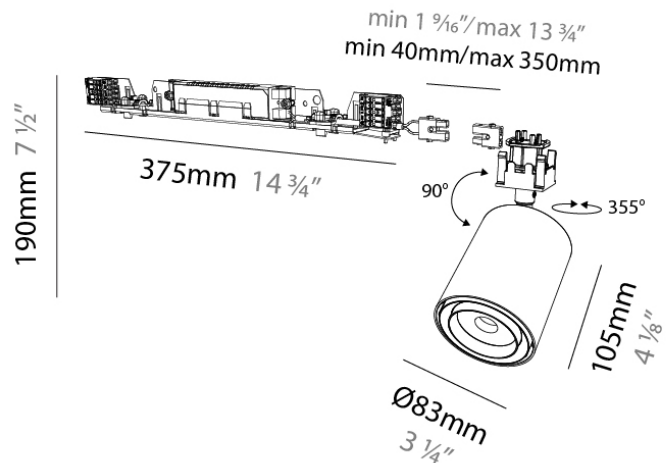
Reflector°: 14 / 30 / 44

Adjustability: Rotational 360°; Tilt 90°

RATINGS AND CERTIFICATIONS

Certified By: Certified for North American Standards

IP rating: IP20



PROJECT
TYPE
NOTES
QUANTITY
DATE

A3HY40X-SUS-SYS COMPONENTS

A380360-

DESCRIPTION

Centriq In 83 Flex - Hypro 40 X - Suspension - Spot Insert - 83mm / 3 1/4" - 8W LED (Zhaga Standard) - Tunable White (2700K - 6500K) - Max 479lm - Reflector: 14° / 30° / 44°

GENERAL

Series: Centriq
 Subseries: Centriq In Flex
 Partner: Prolicht
 Division: Architectural
 Product Type: Spots
 Light Distribution: Adjustable

PHYSICAL

Aperture Sizes - Downlights: 2"
 Shape: Cylinder
 Diameter (mm): 83
 Diameter (in): 3 1/4
 Length (mm): 575
 Length (in): 22 5/8
 Height (mm): 190
 Height (in): 7 1/2
 Fixture Finish: SSR / BKV / CWI / CRY / HAB / UFT / ITA / RUA / FTG / MYG / LOD / PUS / FRO / FUP / KIA / POP / BLS / SPG / MEY / GOH / CHC / COM / ABZ / JAG / OBR / MOS / ROR
 Fixture Material: Aluminum

ELECTRICAL

Input Wattage Range: 1 - 9 W
 Lamp Type: LED (Zhaga Standard)
 Input Wattage (W): 8
 Total Output Wattage (W): 7.3
 Dimming: Non-Dimmable
 Driver Included: Yes
 Driver Location: Integrated
 Driver Type: Constant Current - Universal
 Driver Class: Class 2
 Input Voltage (V): 120 - 277
 Upon Request: 0 - 10V Dimming

LED

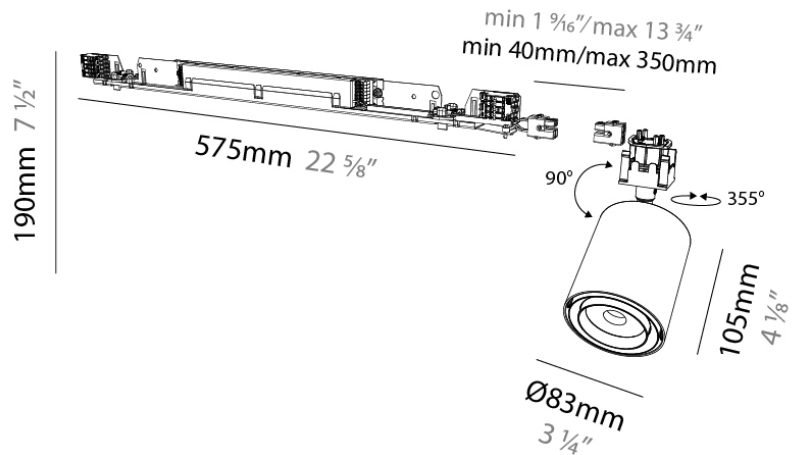
Delivered Lumen Range: 100 - 499 lm
 Color Temperature (°K): 2700-6500 Tunable White
 Max. Delivered Lumen (lm): 416 - 479
 CRI: >90 CRI
 Lamp Life (hrs): 50000

OPTICAL

Reflector°: 14 / 30 / 44
 Adjustability: Rotational 360°; Tilt 90°

RATINGS AND CERTIFICATIONS

Certified By: Certified for North American Standards
 IP rating: IP20



PROJECT
TYPE
NOTES
QUANTITY
DATE

A3HY40X-SUS-SYS COMPONENTS

A380361-

DESCRIPTION

Centriq In 83 - Hypro 40 - Suspension - Spot Insert - 83mm / 3 1/4" - 36W LED (Zhaga Standard) - 2700K / 3000K / 3500K / 4000K - Reflector: 12° - Lens Pack

GENERAL

Series: Centriq
 Subseries: Centriq In
 Partner: Prolicht
 Division: Architectural
 Product Type: Spots
 Light Distribution: Adjustable

PHYSICAL

Aperture Sizes - Downlights: 2"
 Shape: Cylinder
 Diameter (mm): 83
 Diameter (in): 3 1/4
 Length (mm): 375
 Length (in): 14 3/4
 Height (mm): 190
 Height (in): 7 1/2
 Diffuser: Lens Pack - No Lens / Opal / Linear Spread Lens / Honeycomb / Spread Lens
 Fixture Finish: SSR / BKV / CWI / CRY / HAB / UFT / ITA / RUA / FTG / MYG / LOD / PUS / FRO / FUP / KIA / POP / BLS / SPG / MEY / GOH / CHC / COM / ABZ / JAG / OBR / MOS / ROR
 Fixture Material: Aluminum

ELECTRICAL

Input Wattage Range: 20 - 29 W
 Lamp Type: LED (Zhaga Standard)
 Input Wattage (W): 26
 Total Output Wattage (W): 23.7
 Dimming: Non-Dimmable
 Driver Included: Yes
 Driver Location: Integrated
 Driver Type: Constant Current - Universal
 Driver Class: Class 2
 Input Voltage (V): 120 - 277
 Upon Request: 0 - 10V Dimming

LED

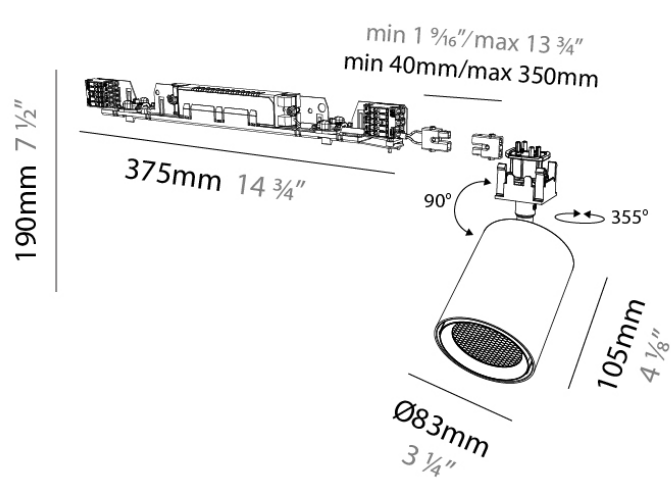
Delivered Lumen Range: 2000 - 3999 lm
 Color Temperature (°K): 2700 / 3000 / 3500 / 4000
 Max. Delivered Lumen (lm): 2923 / 3044 / 3261 / 3328
 Nominal Lumen (lm): 3471 / 3615 / 3873 / 3952
 CRI: >90 CRI
 Lamp Life (hrs): 50000

OPTICAL

Reflector: 12

RATINGS AND CERTIFICATIONS

Certified By: Certified for North American Standards
 IP rating: IP20



PROJECT
TYPE
NOTES
QUANTITY
DATE

A3HY40X-SUS-SYS COMPONENTS

A380362-

DESCRIPTION

Centriq In 83 - Hypro 40 - Suspension - Spot Insert - 83mm / 3 1/4" - 9W LED (Zhaga Standard) - Tunable White (2700K - 6500K) - Max 569lm - Reflector: 12° - Lens Pack

GENERAL

Series: Centriq
 Subseries: Centriq In
 Partner: Prolicht
 Division: Architectural
 Product Type: Spots
 Light Distribution: Adjustable

PHYSICAL

Aperture Sizes - Downlights: 2"
 Shape: Cylinder
 Diameter (mm): 83
 Diameter (in): 3 1/4
 Length (mm): 575
 Length (in): 22 5/8
 Height (mm): 190
 Height (in): 7 1/2
 Diffuser: Centriq In 83 - Hypro 40 - Suspension
 Fixture Finish: SSR / BKV / CWI / CRY / HAB / UFT / ITA / RUA / FTG / MYG / LOD / PUS / FRO / FUP / KIA / POP / BLS / SPG / MEY / GOH / CHC / COM / ABZ / JAG / OBR / MOS / ROR
 Fixture Material: Aluminum

ELECTRICAL

Input Wattage Range: 1 - 9 W
 Lamp Type: LED (Zhaga Standard)
 Input Wattage (W): 8
 Total Output Wattage (W): 7.3
 Dimming: Non-Dimmable
 Driver Included: Yes
 Driver Location: Integrated
 Driver Type: Constant Current - Universal
 Driver Class: Class 2
 Input Voltage (V): 120 - 277
 Upon Request: 0 - 10V Dimming

LED

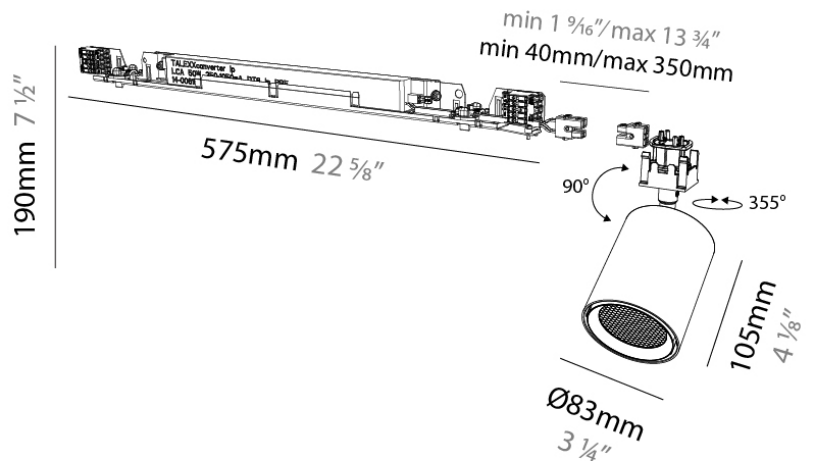
Delivered Lumen Range: 500 - 999 lm
 Color Temperature (°K): 2700-6500 Tunable White
 Max. Delivered Lumen (lm): 494 - 569
 CRI: >90 CRI
 Lamp Life (hrs): 50000

OPTICAL

Reflector°: 12

RATINGS AND CERTIFICATIONS

Certified By: Certified for North American Standards
 IP rating: IP20



PROJECT
TYPE
NOTES
QUANTITY
DATE

A3HY40X-SUS-SYS COMPONENTS

A380413-

DESCRIPTION

Hangover Plug Micro Dot - Insert for Hypro-X 40 Suspension
 Ø40mm / 1 9/16" x 150mm / 5 7/8" - LED 6W Max. - 2700K /
 3000K / 3500K / 4000K - CRI90 - Non-Dimming - Optic: 32° / 58°

GENERAL

Series: Hangover
 Partner: Prolicht
 Division: Architectural
 Light Distribution: Direct

PHYSICAL

Aperture Sizes - Downlights: 1"
 Shape: Cylinder
 Diameter (mm): 40
 Diameter (in): 1 9/16
 Height (mm): 150
 Height (in): 5 7/8
 Fixture Finish: SSR / BKV / CWI / CRY / HAB / UFT / ITA / RUA / FTG /
 MYG / LOD / PUS / FRO / FUP / KIA / POP / BLS / SPG / MEY / GOH /
 CHC / COM / ABZ / JAG / OBR / MOS / ROR
 Fixture Material: Aluminum

ELECTRICAL

Input Wattage Range: 1 - 9 W
 Lamp Type: LED (Zhaga Standard)
 Input Wattage (W): 6
 Total Output Wattage (W): 5.4
 Dimming: Non-Dimmable / 0-10V Dimming
 Driver Included: No
 Driver Location: Integrated
 Driver Type: Constant Current - Universal
 Driver Class: Class 2
 Input Voltage (V): 120 - 277
 Constant Current (mA): 500

LED

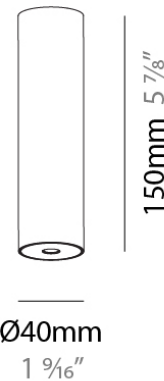
Delivered Lumen Range: 100 - 499 lm
 Color Temperature (°K): 2700 / 3000 / 3500 / 4000
 Max. Delivered Lumen (lm): 310 / 328 / 349 / 356
 Nominal Lumen (lm): 461 / 487 / 517 / 528
 CRI: >90 CRI
 Lamp Life (hrs): 50000

OPTICAL

Optic°: 32 / 58

RATINGS AND CERTIFICATIONS

Certified By: Certified for North American Standards
 IP rating: IP20



A3HY40X-SUS-SYS COMPONENTS

PROJECT _____

TYPE _____

NOTES _____

QUANTITY _____

DATE _____

A380415-

DESCRIPTION

Hangover Plug Micro Dot - Insert for Hypro-X 40 Suspension
 Ø40mm / 1 9/16" x 300mm / 11 13/16" - LED 6W Max. - 2700K /
 3000K / 3500K / 4000K - CRI90 - Non-Dimming - Optic: 32° / 58°

GENERAL

Series: Hangover _____

Partner: Prolicht _____

Division: Architectural _____

Light Distribution: Direct _____

PHYSICAL

Aperture Sizes - Downlights: 1" _____

Shape: Cylinder _____

Diameter (mm): 40 _____

Diameter (in): 1 9/16 _____

Height (mm): 300 _____

Height (in): 11 13/16 _____

Fixture Finish: SSR / BKV / CWI / CRY / HAB / UFT / ITA / RUA / FTG /
 MYG / LOD / PUS / FRO / FUP / KIA / POP / BLS / SPG / MEY / GOH /
 CHC / COM / ABZ / JAG / OBR / MOS / ROR _____

Fixture Material: Aluminum _____

ELECTRICAL

Input Wattage Range: 1 - 9 W _____

Lamp Type: LED (Zhaga Standard) _____

Input Wattage (W): 6 _____

Total Output Wattage (W): 5.4 _____

Dimming: Non-Dimmable / 0-10V Dimming _____

Driver Included: No _____

Driver Location: Integrated _____

Driver Type: Constant Current - Universal _____

Driver Class: Class 2 _____

Input Voltage (V): 120 - 277 _____

Constant Current (mA): 500 _____

LED

Delivered Lumen Range: 100 - 499 lm _____

Color Temperature (°K): 2700 / 3000 / 3500 / 4000 _____

Max. Delivered Lumen (lm): 310 / 328 / 349 / 356 _____

Nominal Lumen (lm): 461 / 487 / 517 / 528 _____

CRI: >90 CRI _____

Lamp Life (hrs): 50000 _____

OPTICAL

Optic°: 32 / 58 _____

RATINGS AND CERTIFICATIONS

Certified By: Certified for North American Standards _____

IP rating: IP20 _____



A3HY40X-SUS-SYS COMPONENTS

PROJECT _____

TYPE _____

NOTES _____

QUANTITY _____

DATE _____

A380417-

DESCRIPTION

Hangover Plug Micro Dot - Insert for Hypro-X 40 Suspension
 Ø40mm / 1 9/16" x 450mm / 17 11/16" - LED 6W Max. - 2700K /
 3000K / 3500K / 4000K - CRI90 - Non-Dimming - Optic: 32° / 58°

GENERAL

Series: Hangover _____
 Partner: Prolicht _____
 Division: Architectural _____
 Light Distribution: Direct _____

PHYSICAL

Aperture Sizes - Downlights: 1" _____
 Shape: Cylinder _____
 Diameter (mm): 40 _____
 Diameter (in): 1 9/16 _____
 Height (mm): 450 _____
 Height (in): 17 11/16 _____
 Fixture Finish: SSR / BKV / CWI / CRY / HAB / UFT / ITA / RUA / FTG /
 MYG / LOD / PUS / FRO / FUP / KIA / POP / BLS / SPG / MEY / GOH /
 CHC / COM / ABZ / JAG / OBR / MOS / ROR _____
 Fixture Material: Aluminum _____

ELECTRICAL

Input Wattage Range: 1 - 9 W _____
 Lamp Type: LED (Zhaga Standard) _____
 Input Wattage (W): 6 _____
 Total Output Wattage (W): 5.4 _____
 Dimming: Non-Dimmable / 0-10V Dimming _____
 Driver Included: No _____
 Driver Location: Integrated _____
 Driver Type: Constant Current - Universal _____
 Driver Class: Class 2 _____
 Input Voltage (V): 120 - 277 _____
 Constant Current (mA): 500 _____

LED

Delivered Lumen Range: 100 - 499 lm _____
 Color Temperature (°K): 2700 / 3000 / 3500 / 4000 _____
 Max. Delivered Lumen (lm): 310 / 328 / 349 / 356 _____
 Nominal Lumen (lm): 461 / 487 / 517 / 528 _____
 CRI: >90 CRI _____
 Lamp Life (hrs): 50000 _____

OPTICAL

Optic°: 32 / 58 _____

RATINGS AND CERTIFICATIONS

Certified By: Certified for North American Standards _____
 IP rating: IP20 _____



A3HY40X-SUS-SYS COMPONENTS

A380427-

DESCRIPTION

Snooker - Insert for Hypro 40 X - Suspension - 6.4W LED - 2700K / 3000K / 3500K / 4000K, CRI90, Optic: 32° / 58°

GENERAL

Series: Snooker _____
 Partner: Prolicht _____
 Division: Architectural _____

PHYSICAL

Shape: Sphere _____
 Diameter (mm): 72 _____
 Diameter (in): 2 ¹³/₁₆ _____
 Height (mm): 71 _____
 Height (in): 2 ¹³/₁₆ _____
 Weight (kg): 0.26 _____
 Fixture Finish: CHR _____
 Fixture Material: Glass / Aluminum _____

ELECTRICAL

Input Wattage Range: 1 - 9 W _____
 Lamp Type: LED (Zhaga Standard) _____
 Input Wattage (W): 6 _____
 Total Output Wattage (W): 5.4 _____
 Dimming: Non-Dimmable / 0-10V Dimming _____
 Driver Included: Yes _____
 Driver Location: Integrated _____
 Driver Type: Constant Current - 120Vac _____
 Driver Class: Class 2 _____
 Input Voltage (V): 120 _____
 Constant Current (mA): 500 _____

LED

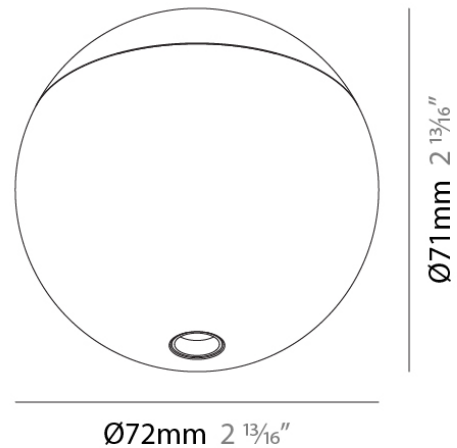
Delivered Lumen Range: 100 - 499 lm _____
 Color Temperature (°K): 2700 / 3000 / 3500 / 4000 _____
 Max. Delivered Lumen (lm): 284 / 300 / 319 / 325 _____
 Nominal Lumen (lm): 461 / 487 / 517 / 528 _____
 CRI: >90 CRI _____
 Lamp Life (hrs): 50000 _____

OPTICAL

Optic°: 32 / 58 _____

RATINGS AND CERTIFICATIONS

Certified By: Certified for North American Standards _____
 IP rating: IP20 _____



PROJECT
TYPE
NOTES
QUANTITY
DATE

A3HY40X-SUS-SYS COMPONENTS TRACK

A380429-

DESCRIPTION

Magiq 4 Korona - Hypro-X 40 Profile Suspension Insert - 13.3W LED (Zhaga Standard) - 2700K / 3000K / 3500K / 4000K - Black - Reflectors 8° / 14° / 34°

GENERAL

Series: Magiq
 Subseries: Magiq 4 Cell Korona
 Partner: Prolicht
 Division: Architectural
 Installation: Track
 Product Type: Downlight
 Mounting Location: Ceiling
 Light Distribution: Downlight

PHYSICAL

Aperture Sizes - Downlights: 1"
 Shape: Rectangle
 Length (mm): 650
 Length (in): 25 ⁷/₁₆
 Width (mm): 35
 Width (in): 1 ³/₈
 Height (mm): 72
 Height (in): 2 ¹³/₁₆
 Weight (kg): 0.577
 Weight (lbs): 1.27
 Fixture Finish: SSR / BKV / CWI / CRY / HAB / UFT / ITA / RUA / FTG / MYG / LOD / PUS / FRO / FUP / KIA / POP / BLS / SPG / MEY / GOH / CHC / COM / ABZ / JAG / OBR / MOS / ROR
 Holder Finish: WHI / BLK
 Fixture Material: Aluminum Die Cast

ELECTRICAL

Input Wattage Range: 10 - 19 W
 Lamp Type: LED (Zhaga Standard)
 Input Wattage (W): 13.3
 Total Output Wattage (W): 12.1
 Dimming: Tri-Mode (Non-Dimming and Phase Dimming (120Vac only) and 0-10V Dimming)
 Driver Included: Yes
 Driver Location: Integrated
 Driver Type: Constant Current - Universal
 Driver Class: Class 2
 Input Voltage (V): 120 - 277
 Constant Current (MA): 1050

LED

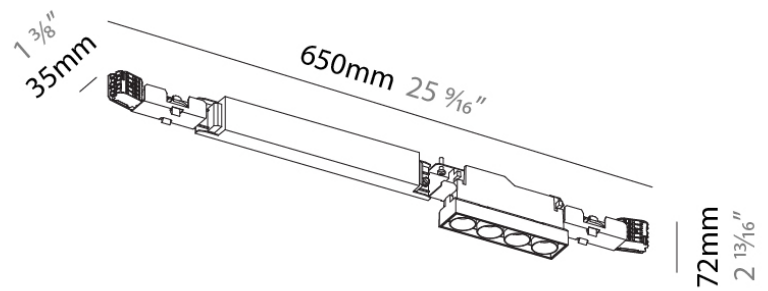
Delivered Lumen Range: 500 - 999 lm
 Number of LEDs: 4
 Color Temperature (°K): 2700 / 3000 / 3500 / 4000
 Max. Delivered Lumen (lm): 781 / 843 / 860 / 878
 Nominal Lumen (lm): 880 / 954 / 970 / 990
 CRI: >90 CRI
 Lamp Life (hrs): 50000

OPTICAL

Reflector°: 8 / 14 / 34

RATINGS AND CERTIFICATIONS

Certified By: Certified for North American Standards
 IP rating: IP20



A3HY40X-SUS-SYS COMPONENTS

A380431-

DESCRIPTION

Snooker Metal Shine - Insert for Hypro 40 X - Suspension - 6.4W LED - 2700K / 3000K / 3500K / 4000K, CRI90, Chrome - Shine Ring - Optic: 32° / 58°

GENERAL

Series: Snooker _____
 Partner: Prolicht _____
 Division: Architectural _____

PHYSICAL

Shape: Sphere _____
 Diameter (mm): 72 _____
 Diameter (in): 2 ¹³/₁₆ _____
 Height (mm): 71 _____
 Height (in): 2 ¹³/₁₆ _____
 Weight (kg): 0.26 _____
 Fixture Finish: CHR _____
 Accent Finish: OPL / YEL / ORA / RED / BLU / GRN _____
 Fixture Material: Glass / Aluminum _____

ELECTRICAL

Input Wattage Range: 1 - 9 W _____
 Lamp Type: LED (Zhaga Standard) _____
 Input Wattage (W): 6 _____
 Total Output Wattage (W): 1.4 _____
 Dimming: Non-Dimmable / 0-10V Dimming _____
 Driver Included: Yes _____
 Driver Location: Integrated _____
 Driver Type: Constant Current - 120Vac _____
 Driver Class: Class 2 _____
 Input Voltage (V): 120 _____
 Constant Current (mA): 500 _____

LED

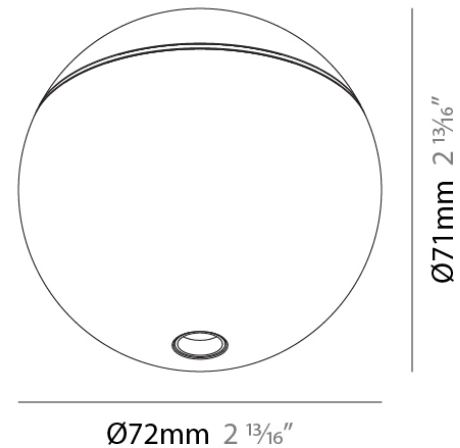
Delivered Lumen Range: 100 - 499 lm _____
 Color Temperature (°K): 2700 / 3000 / 3500 / 4000 _____
 Max. Delivered Lumen (lm): 284 / 300 / 319 / 325 _____
 Nominal Lumen (lm): 461 / 487 / 517 / 528 _____
 CRI: >90 CRI _____
 Lamp Life (hrs): 50000 _____

OPTICAL

Optic°: 32 / 58 _____

RATINGS AND CERTIFICATIONS

Certified By: Certified for North American Standards _____
 IP rating: IP20 _____



PROJECT
TYPE
NOTES
QUANTITY
DATE

A3HY40X-SUS-SYS COMPONENTS

A380438-

DESCRIPTION

Hypline - 40 Rico - Hypro 40 X Linear Insert 705mm for HYPRO 40 X Suspension: 17W LED - 2700K / 3000K / 3500K / 4000K - CRI 90 - Dimmable

GENERAL

Series: Hypro
 Subseries: Hypro 40-X
 Partner: Prolicht
 Division: Architectural

PHYSICAL

Shape: Rectangle
 Length (mm): 705
 Length (in): 27 ³/₄
 Width (mm): 29
 Width (in): 1 ¹/₈
 Height (mm): 50
 Height (in): 1 ¹⁵/₁₆
 Fixture Material: Aluminum

ELECTRICAL

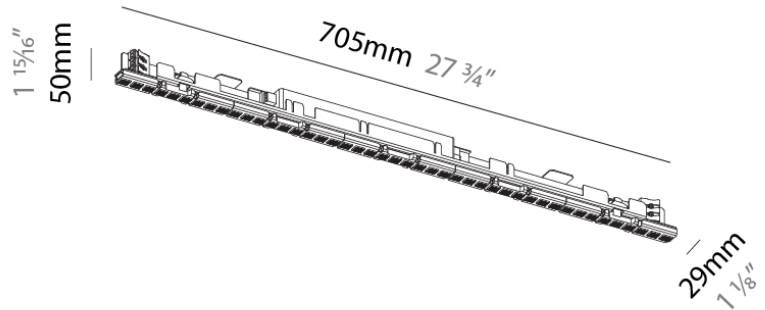
Input Wattage Range: 10 - 19 W
 Lamp Type: LED (Zhaga Standard)
 Input Wattage (W): 16.1
 Total Output Wattage (W): 14.6
 Dimming: Non-Dimmable / 0-10V Dimming
 Driver Included: Yes
 Driver Location: Integrated
 Driver Type: Constant Current - Universal
 Driver Class: Class 2
 Input Voltage (V): 120 - 277

LED

Delivered Lumen Range: 1000 - 1999 lm
 Color Temperature (°K): 2700 / 3000 / 3500 / 4000
 Max. Delivered Lumen (lm): 1383 / 1437 / 1500 / 1531
 Nominal Lumen (lm): 2028 / 2107 / 2199 / 2244
 CRI: >90 CRI
 Lamp Life (hrs): 50000

RATINGS AND CERTIFICATIONS

Certified By: Certified for North American Standards
 IP rating: IP20



PROJECT
TYPE
NOTES
QUANTITY
DATE

A3HY40X-SUS-SYS COMPONENTS

A380446-

DESCRIPTION

Hypline - 40 Rico - Hypro 40 Linear Insert 1128mm / 44 7/16" for HYPRO 40 X Suspension: 26.4W LED - 2700K / 3000K / 3500K / 4000K - CRI 90 - Dimmable

GENERAL

Series: Hypro
 Subseries: Hypro 40-X
 Partner: Prolicht
 Division: Architectural

PHYSICAL

Shape: Rectangle
 Length (mm): 1128
 Length (in): 44 7/16
 Width (mm): 39
 Width (in): 1 5/16
 Height (mm): 50
 Height (in): 1 15/16
 Fixture Material: Aluminum

ELECTRICAL

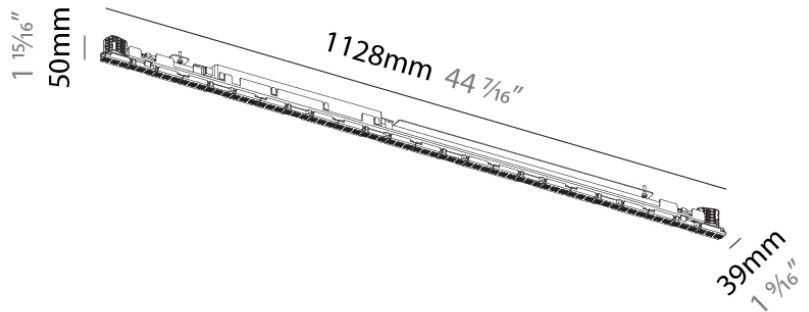
Input Wattage Range: 20 - 29 W
 Lamp Type: LED (Zhaga Standard)
 Input Wattage (W): 25.8
 Total Output Wattage (W): 23.5
 Dimming: Non-Dimmable / 0-10V Dimming
 Driver Included: Yes
 Driver Location: Integrated
 Driver Type: Constant Current - Universal
 Driver Class: Class 2
 Input Voltage (V): 120 - 277

LED

Delivered Lumen Range: 2000 - 2999 lm
 Color Temperature (°K): 2700 / 3000 / 3500 / 4000
 Max. Delivered Lumen (lm): 2213 / 2299 / 2400 / 2449
 Nominal Lumen (lm): 3245 / 3371 / 3519 / 3591
 CRI: >90 CRI
 Lamp Life (hrs): 50000

RATINGS AND CERTIFICATIONS

Certified By: Certified for North American Standards
 IP rating: IP20



PROJECT
TYPE
NOTES
QUANTITY
DATE

A3HY40X-SUS-SYS COMPONENTS

A380454-

DESCRIPTION

Hypline - 40 Rico - Hypro 40 Linear Insert 1408mm / 55 7/16" for HYPRO 40 X Suspension: 33W LED - 2700K / 3000K / 3500K / 4000K - CRI 90 - Dimmable

GENERAL

Series: Hypro
 Subseries: Hypro 40-X
 Partner: Prolicht
 Division: Architectural

PHYSICAL

Shape: Rectangle
 Length (mm): 1408
 Length (in): 55 7/16
 Width (mm): 39
 Width (in): 1 9/16
 Height (mm): 50
 Height (in): 1 15/16
 Fixture Material: Aluminum

ELECTRICAL

Input Wattage Range: 30 - 49 W
 Lamp Type: LED (Zhaga Standard)
 Input Wattage (W): 32.2
 Total Output Wattage (W): 29.3
 Dimming: Non-Dimmable / 0-10V Dimming
 Driver Included: Yes
 Driver Location: Integrated
 Driver Type: Constant Current - Universal
 Driver Class: Class 2
 Input Voltage (V): 120 - 277

LED

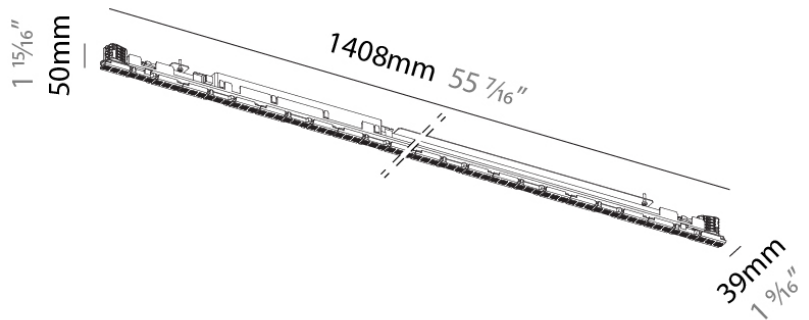
Delivered Lumen Range: 2000 - 3999 lm
 Color Temperature (°K): 2700 / 3000 / 3500 / 4000
 Max. Delivered Lumen (lm): 2767 / 2874 / 3000 / 3061
 Nominal Lumen (lm): 4057 / 4214 / 4399 / 4489
 CRI: >90 CRI
 Lamp Life (hrs): 50000

OPTICAL

Beam Angle: 62

RATINGS AND CERTIFICATIONS

Certified By: Certified for North American Standards
 IP rating: IP20



PROJECT
TYPE
NOTES
QUANTITY
DATE

A3HY40X-SUS-SYS COMPONENTS TRACK

A380489-

DESCRIPTION

Magiq 4 - Hypro-X 40 Profile Suspension Insert - 14W LED (Zhaga Standard) - 2700K / 3000K / 3500K / 4000K - Reflectors 8° / 14° / 34°

GENERAL

Series: Magiq
 Subseries: Magiq 4 Cell
 Partner: Prolicht
 Division: Architectural
 Installation: Track
 Product Type: Downlight
 Mounting Location: Ceiling
 Light Distribution: Direct

PHYSICAL

Aperture Sizes - Downlights: 1"
 Shape: Rectangle
 Length (mm): 650
 Length (in): 25 9/16
 Width (mm): 35
 Width (in): 1 3/8
 Height (mm): 72
 Height (in): 2 13/16
 Weight (kg): 0.577
 Weight (lbs): 1.27
 Fixture Finish: BLK / WHI
 Fixture Material: Aluminum Die Cast

ELECTRICAL

Input Wattage Range: 10 - 19 W
 Lamp Type: LED (Zhaga Standard)
 Input Wattage (W): 14
 Total Output Wattage (W): 12.1
 Dimming: Tri-Mode (Non-Dimming and Phase Dimming (120Vac only) and 0-10V Dimming)
 Driver Included: Yes
 Driver Location: Integrated
 Driver Type: Constant Current - Universal
 Driver Class: Class 2
 Input Voltage (V): 120 - 277
 Constant Current (mA): 1050

LED

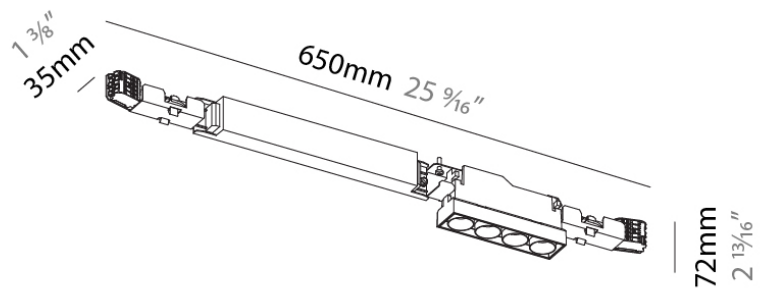
Delivered Lumen Range: 500 - 999 lm
 Number of LEDs: 4
 Color Temperature (°K): 2700 / 3000 / 3500 / 4000
 Max. Delivered Lumen (lm): 781 / 843 / 860 / 878
 Nominal Lumen (lm): 880 / 954 / 970 / 990
 CRI: >90 CRI
 Lamp Life (hrs): 50000

OPTICAL

Reflector: 8 / 14 / 34

RATINGS AND CERTIFICATIONS

Certified By: Certified for North American Standards
 IP rating: IP20



PROJECT
TYPE
NOTES
QUANTITY
DATE

A3HY40X-SUS-SYS COMPONENTS TRACK

A380495-

DESCRIPTION

Magiq 4 Micro Dot - Hypro-X 40 Profile Suspension Insert - 13.3W LED (Zhaga Standard) - 2700K / 3000K / 3500K / 4000K - Black - Lens 22° / 38°

GENERAL

Series: Magiq Micro Dot
 Subseries: Magiq 4 Cell Micro-Dot
 Partner: Prolight
 Division: Architectural
 Installation: Track
 Product Type: Downlight
 Mounting Location: Ceiling
 Light Distribution: Downlight

PHYSICAL

Aperture Sizes - Downlights: 1"
 Shape: Rectangle
 Length (mm): 650
 Length (in): 25 7/16
 Width (mm): 35
 Width (in): 1 3/8
 Height (mm): 72
 Height (in): 2 13/16
 Weight (kg): 0.577
 Weight (lbs): 1.27
 Fixture Finish: BLK
 Fixture Material: Aluminum Die Cast

ELECTRICAL

Input Wattage Range: 10 - 19 W
 Lamp Type: LED (Zhaga Standard)
 Input Wattage (W): 13.3
 Total Output Wattage (W): 12.1
 Dimming: Tri-Mode (Non-Dimming and Phase Dimming (120Vac only) and 0-10V Dimming)
 Driver Included: Yes
 Driver Location: Integrated
 Driver Type: Constant Current - Universal
 Driver Class: Class 2
 Input Voltage (V): 120 - 277
 Constant Current (mA): 1050

LED

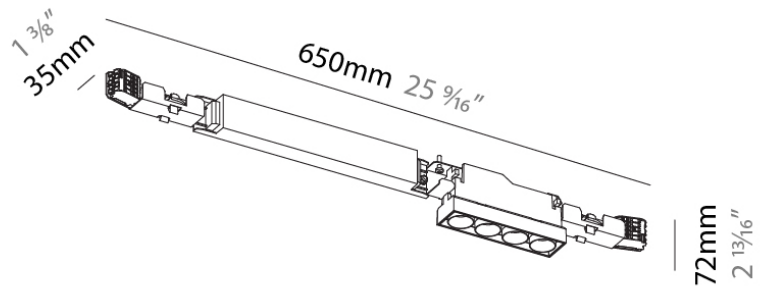
Delivered Lumen Range: 500 - 999 lm
 Number of LEDs: 4
 Color Temperature (°K): 2700 / 3000 / 3500 / 4000
 Max. Delivered Lumen (lm): 640 / 691 / 706 / 720
 Nominal Lumen (lm): 880 / 954 / 970 / 990
 CRI: >90 CRI
 Lamp Life (hrs): 50000

OPTICAL

Optic°: 22 / 38

RATINGS AND CERTIFICATIONS

Certified By: Certified for North American Standards
 IP rating: IP20



A3HY40X-SUS-SYS COMPONENTS

A380498-

DESCRIPTION

Magiq 4 + 4 - Hypro-X 40 Profile Suspension Insert - 26.6W LED (Zhaga Standard) - 2700K / 3000K / 3500K / 4000K - Black - Reflectors 8° / 14° / 34°

GENERAL

Series: Magiq
 Subseries: Magiq 4 + 4 Cell
 Partner: Prolight
 Division: Architectural
 Product Type: Downlight
 Light Distribution: Downlight

PHYSICAL

Aperture Sizes - Downlights: 1"
 Shape: Rectangle
 Length (mm): 910
 Length (in): 35 13/16
 Width (mm): 35
 Width (in): 1 3/8
 Height (mm): 72
 Height (in): 2 13/16
 Weight (kg): 0.923
 Weight (lbs): 2.035
 Fixture Finish: BLK
 Fixture Material: Aluminum Die Cast

ELECTRICAL

Input Wattage Range: 20 - 29 W
 Lamp Type: LED (Zhaga Standard)
 Input Wattage (W): 26.6
 Total Output Wattage (W): 24.2
 Dimming: Tri-Mode (Non-Dimming and Phase Dimming (120Vac only) and 0-10V Dimming)
 Driver Included: Yes
 Driver Location: Integrated
 Driver Type: Constant Current - Universal
 Driver Class: Class 2
 Input Voltage (V): 120 - 277
 Constant Current (MA): 1050

LED

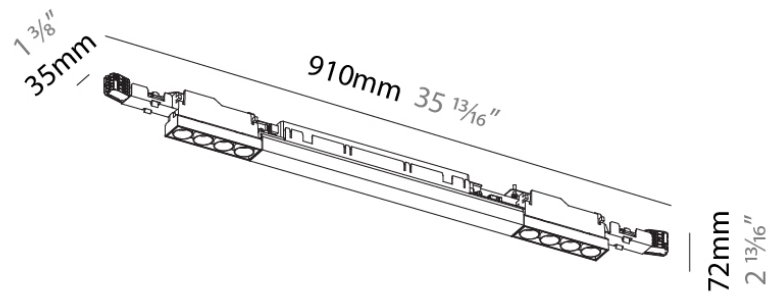
Delivered Lumen Range: 1000 - 1999 lm
 Number of LEDs: 8
 Color Temperature (°K): 2700 / 3000 / 3500 / 4000
 Max. Delivered Lumen (lm): 1561 / 1685 / 1809 / 1756
 Nominal Lumen (lm): 1761 / 1908 / 1940 / 1980
 CRI: >90 CRI
 Lamp Life (hrs): 50000

OPTICAL

Reflector°: 8 / 14 / 34

RATINGS AND CERTIFICATIONS

Certified By: Certified for North American Standards
 IP rating: IP20



PROJECT
TYPE
NOTES
QUANTITY
DATE

A3HY40X-SUS-SYS COMPONENTS

A380501-

DESCRIPTION

Magiq 4 + 4 Korona - Hypro-X 40 Profile Suspension Insert - 26.6W LED (Zhaga Standard) - 2700K / 3000K / 3500K / 4000K - Reflectors 8° / 14° / 34°

GENERAL

Series: Magiq
 Subseries: Magiq 4+4 Korona
 Partner: Prolight
 Division: Architectural
 Product Type: Downlight
 Light Distribution: Downlight

PHYSICAL

Aperture Sizes - Downlights: 1"
 Shape: Rectangle
 Length (mm): 910
 Length (in): 35 13/16
 Width (mm): 35
 Width (in): 1 3/8
 Height (mm): 72
 Height (in): 2 13/16
 Weight (kg): 0.923
 Weight (lbs): 2.035
 Fixture Finish: SSR / BKV / CWI / CRY / HAB / UFT / ITA / RUA / FTG / MYG / LOD / PUS / FRO / FUP / KIA / POP / BLS / SPG / MEY / GOH / CHC / COM / ABZ / JAG / OBR / MOS / ROR
 Holder Finish: WHI / BLK
 Fixture Material: Aluminum Die Cast

ELECTRICAL

Input Wattage Range: 20 - 29 W
 Lamp Type: LED (Zhaga Standard)
 Input Wattage (W): 26.6
 Total Output Wattage (W): 24.2
 Dimming: Tri-Mode (Non-Dimming and Phase Dimming (120Vac only) and 0-10V Dimming)
 Driver Included: Yes
 Driver Location: Integrated
 Driver Type: Constant Current - Universal
 Driver Class: Class 2
 Input Voltage (V): 120 - 277
 Constant Current (MA): 1050

LED

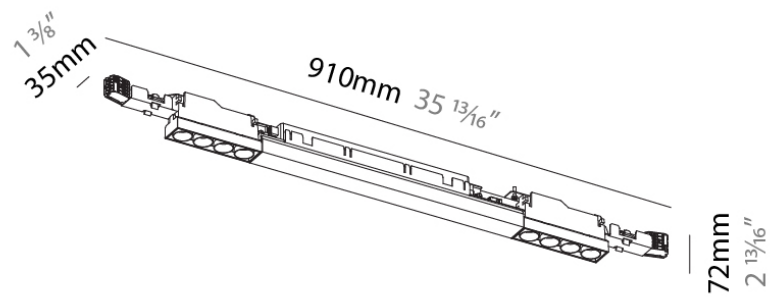
Delivered Lumen Range: 1000 - 1999 lm
 Number of LEDs: 8
 Color Temperature (°K): 2700 / 3000 / 3500 / 4000
 Max. Delivered Lumen (lm): 1561 / 1685 / 1809 / 1756
 Nominal Lumen (lm): 1761 / 1908 / 1940 / 1980
 CRI: >90 CRI
 Lamp Life (hrs): 50000

OPTICAL

Reflector°: 8 / 14 / 34

RATINGS AND CERTIFICATIONS

Certified By: Certified for North American Standards
 IP rating: IP20



A3HY40X-SUS-SYS COMPONENTS

A380505-

DESCRIPTION

Magiq 4 + 4 Micro Dot - Hypro-X 40 Profile Suspension Insert - 26.6W LED (Zhaga Standard) - 2700K / 3000K / 3500K / 4000K - Black - Reflectors 11° / 22° / 33°

GENERAL

Series: Magiq Micro Dot

Subseries: Magiq 4+4 Micro Dot

Partner: Prolight

Division: Architectural

Product Type: Downlight

Light Distribution: Downlight

PHYSICAL

Aperture Sizes - Downlights: 1"

Shape: Rectangle

Length (mm): 910

Length (in): 35 ¹³/₁₆"

Width (mm): 35

Width (in): 1 ³/₈"

Height (mm): 72

Height (in): 2 ¹³/₁₆"

Weight (kg): 0.923

Weight (lbs): 2.035

Fixture Finish: BLK

Fixture Material: Aluminum Die Cast

ELECTRICAL

Input Wattage Range: 20 - 29 W

Lamp Type: LED (Zhaga Standard)

Input Wattage (W): 26.6

Total Output Wattage (W): 24.2

Dimming: Tri-Mode (Non-Dimming and Phase Dimming (120Vac only) and 0-10V Dimming)

Driver Included: Yes

Driver Location: Integrated

Driver Type: Constant Current - Universal

Driver Class: Class 2

Input Voltage (V): 120 - 277

Constant Current (MA): 1050

LED

Delivered Lumen Range: 1000 - 1999 lm

Number of LEDs: 8

Color Temperature (°K): 2700 / 3000 / 3500 / 4000

Max. Delivered Lumen (lm): 1280 / 1382 / 1411 / 1440

Nominal Lumen (lm): 1761 / 1908 / 1940 / 1980

CRI: >90 CRI

Lamp Life (hrs): 50000

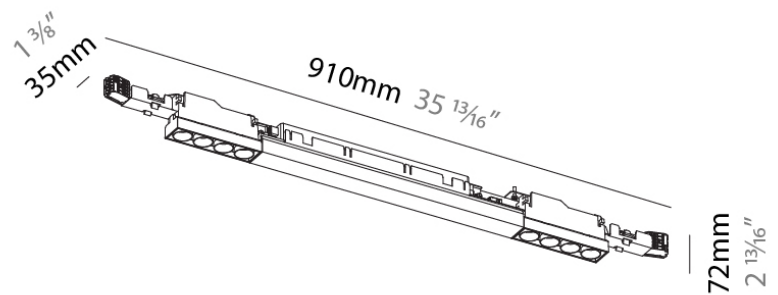
OPTICAL

Reflector°: 11 / 22 / 33

RATINGS AND CERTIFICATIONS

Certified By: Certified for North American Standards

IP rating: IP20



PROJECT
TYPE
NOTES
QUANTITY
DATE

A3HY40X-SUS-SYS COMPONENTS

A380508-

DESCRIPTION

Magiq 8 - Hypro-X 40 Profile Suspension Insert - 26.6W LED (Zhaga Standard) - 2700K / 3000K / 3500K / 4000K - Black - Reflectors 8° / 18° / 34°

GENERAL

Series: Magiq
 Subseries: Magiq 8 Cell
 Partner: Prolight
 Division: Architectural
 Product Type: Downlight
 Light Distribution: Downlight

PHYSICAL

Aperture Sizes - Downlights: 1"
 Shape: Rectangle
 Length (mm): 840
 Length (in): 33 1/16"
 Width (mm): 35
 Width (in): 1 3/8"
 Height (mm): 72
 Height (in): 2 13/16"
 Weight (kg): 0.923
 Weight (lbs): 2.035
 Fixture Finish: BLK
 Fixture Material: Aluminum Die Cast

ELECTRICAL

Input Wattage Range: 20 - 29 W
 Lamp Type: LED (Zhaga Standard)
 Input Wattage (W): 26.6
 Total Output Wattage (W): 24.2
 Dimming: Tri-Mode (Non-Dimming and Phase Dimming (120Vac only) and 0-10V Dimming)
 Driver Included: Yes
 Driver Location: Integrated
 Driver Type: Constant Current - Universal
 Driver Class: Class 2
 Input Voltage (V): 120 - 277
 Constant Current (MA): 1050

LED

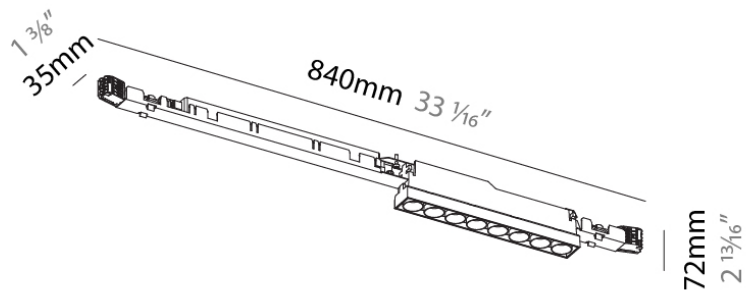
Delivered Lumen Range: 1000 - 1999 lm
 Number of LEDs: 8
 Color Temperature (°K): 2700 / 3000 / 3500 / 4000
 Max. Delivered Lumen (lm): 1561 / 1685 / 1809 / 1756
 Nominal Lumen (lm): 1761 / 1908 / 1940 / 1980
 CRI: >90 CRI
 Lamp Life (hrs): 50000

OPTICAL

Reflector°: 8 / 14 / 34

RATINGS AND CERTIFICATIONS

Certified By: Certified for North American Standards
 IP rating: IP20



PROJECT
TYPE
NOTES
QUANTITY
DATE

A3HY40X-SUS-SYS COMPONENTS

A380511-

DESCRIPTION

Magiq 8 Korona - Hypro-X 40 Profile Suspension Insert - 26.6W LED (Zhaga Standard) - 2700K / 3000K / 3500K / 4000K - Black - Reflectors 11° / 22° / 33°

GENERAL

Series: Magiq
 Subseries: Magiq 8 Cell Korona
 Partner: Prolight
 Division: Architectural
 Product Type: Downlight
 Light Distribution: Downlight

PHYSICAL

Aperture Sizes - Downlights: 1"
 Shape: Rectangle
 Length (mm): 840
 Length (in): 33 1/16"
 Width (mm): 35
 Width (in): 1 3/8"
 Height (mm): 72
 Height (in): 2 13/16"
 Weight (kg): 1.131
 Weight (lbs): 2.49
 Fixture Finish: SSR / BKV / CWI / CRY / HAB / UFT / ITA / RUA / FTG / MYG / LOD / PUS / FRO / FUP / KIA / POP / BLS / SPG / MEY / GOH / CHC / COM / ABZ / JAG / OBR / MOS / ROR
 Fixture Material: Aluminum Die Cast

ELECTRICAL

Input Wattage Range: 20 - 29 W
 Lamp Type: LED (Zhaga Standard)
 Input Wattage (W): 26.6
 Total Output Wattage (W): 24.2
 Dimming: Tri-Mode (Non-Dimming and Phase Dimming (120Vac only) and 0-10V Dimming)
 Driver Included: Yes
 Driver Location: Integrated
 Driver Type: Constant Current - Universal
 Driver Class: Class 2
 Input Voltage (V): 120 - 277
 Constant Current (MA): 1050

LED

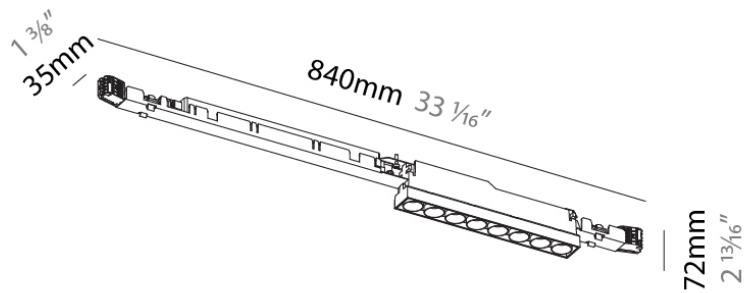
Delivered Lumen Range: 1000 - 1999 lm
 Number of LEDs: 8
 Color Temperature (°K): 2700 / 3000 / 3500 / 4000
 Max. Delivered Lumen (lm): 1561 / 1685 / 1809 / 1756
 Nominal Lumen (lm): 1761 / 1908 / 1940 / 1980
 CRI: >90 CRI
 Lamp Life (hrs): 50000

OPTICAL

Reflector°: 11 / 22 / 33

RATINGS AND CERTIFICATIONS

Certified By: Certified for North American Standards
 IP rating: IP20



PROJECT
TYPE
NOTES
QUANTITY
DATE

A3HY40X-SUS-SYS COMPONENTS TRACK

A380514-

DESCRIPTION

Magiq 8 Micro Dot - Hypro-X 40 Profile Suspension Insert - 650mm / 25 9/16" - 26.6W LED (Zhaga Standard) - 2700K / 3000K / 4000K - Optics 21° / 38°

GENERAL

Series: Magiq Micro Dot
 Subseries: Magiq 8 Cell Micro-Dot
 Partner: Prolicht
 Division: Architectural
 Installation: Track

PHYSICAL

Shape: Rectangle
 Length (mm): 840
 Length (in): 33 1/16
 Width (mm): 35
 Width (in): 1 3/8
 Height (mm): 72
 Height (in): 2 13/16
 Fixture Finish: BLK
 Fixture Material: Aluminum

ELECTRICAL

Input Wattage Range: 20 - 29 W
 Lamp Type: LED (Zhaga Standard)
 Input Wattage (W): 26.6
 Total Output Wattage (W): 24.2
 Dimming: Non-Dimmable / 0-10V Dimming
 Driver Included: Yes
 Driver Location: Integrated
 Driver Type: Constant Current - Universal
 Driver Class: Class 2
 Input Voltage (V): 120 - 277
 Constant Current (mA): 1050

LED

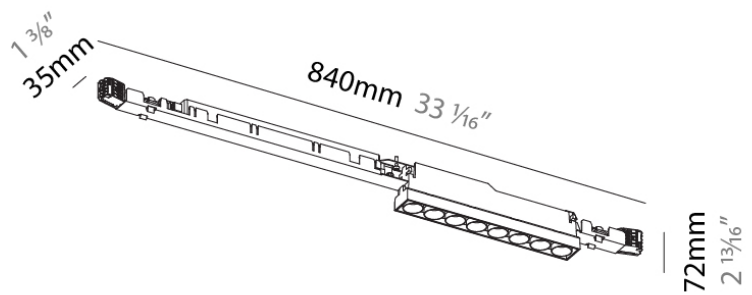
Delivered Lumen Range: 1000 - 1999 lm
 Number of LEDs: 8
 Color Temperature (°K): 2700 / 3000 / 3500 / 4000
 Max. Delivered Lumen (lm): 1280 / 1384 / 1411 / 1440
 CRI: >80 CRI
 Lamp Life (hrs): 50000

OPTICAL

Optic°: 21 / 38

RATINGS AND CERTIFICATIONS

Certified By: Certified for North American Standards
 IP rating: IP20



PROJECT
TYPE
NOTES
QUANTITY
DATE

A3HY40X-SUS-SYS COMPONENTS

A380517-

DESCRIPTION

Magiq 8 + 8 - Hypro-X 40 Profile Suspension Insert - 53.2W LED (Zhaga Standard) - 2700K / 3000K / 3500K / 4000K - Black - Reflectors 11° / 22° / 33°

GENERAL

Series: Magiq
 Subseries: Magiq 8 + 8 Cell
 Partner: Prolight
 Division: Architectural
 Product Type: Downlight
 Light Distribution: Downlight

PHYSICAL

Aperture Sizes - Downlights: 1"
 Shape: Rectangle
 Length (mm): 1170
 Length (in): 46 1/16
 Width (mm): 35
 Width (in): 1 3/8
 Height (mm): 72
 Height (in): 2 13/16
 Weight (kg): 1.73
 Weight (lbs): 3.81
 Fixture Material: Aluminum Die Cast

ELECTRICAL

Input Wattage Range: 50 - 79 W
 Lamp Type: LED (Zhaga Standard)
 Input Wattage (W): 53.2
 Total Output Wattage (W): 48.4
 Dimming: Tri-Mode (Non-Dimming and Phase Dimming (120Vac only) and 0-10V Dimming)
 Driver Included: Yes
 Driver Location: Integrated
 Driver Type: Constant Current - Universal
 Driver Class: Class 2
 Input Voltage (V): 120 - 277
 Constant Current (mA): 1050

LED

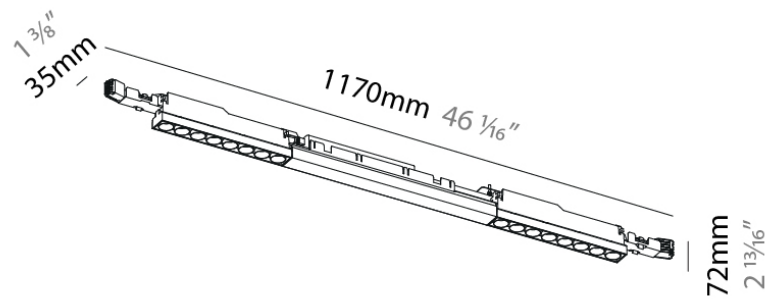
Delivered Lumen Range: 2000 - 3999 lm
 Number of LEDs: 16
 Color Temperature (°K): 2700 / 3000 / 3500 / 4000
 Max. Delivered Lumen (lm): 3312 / 3371 / 3443 / 3513
 Nominal Lumen (lm): 3521 / 3816 / 3882 / 3961
 CRI: >90 CRI
 Lamp Life (hrs): 50000

OPTICAL

Reflector°: 11 / 22 / 33

RATINGS AND CERTIFICATIONS

Certified By: Certified for North American Standards
 IP rating: IP20



PROJECT
TYPE
NOTES
QUANTITY
DATE

A3HY40X-SUS-SYS COMPONENTS

A380520-

DESCRIPTION

Magiq 8 + 8 Korona - Hypro-X 40 Profile Suspension Insert - 53.2W LED (Zhaga Standard) - Black - 2700K / 3000K / 3500K / 4000K - Reflectors 11° / 22° / 33°

GENERAL

Series: Magiq
 Subseries: Magiq 8 + 8 Cell Korona
 Partner: Prolicht
 Division: Architectural
 Product Type: Downlight
 Light Distribution: Downlight

PHYSICAL

Aperture Sizes - Downlights: 1"
 Shape: Rectangle
 Length (mm): 1170
 Length (in): 46 1/16
 Width (mm): 35
 Width (in): 1 3/8
 Height (mm): 72
 Height (in): 2 13/16
 Weight (kg): 1.769
 Weight (lbs): 3.9
 Fixture Finish: SSR / BKV / CWI / CRY / HAB / UFT / ITA / RUA / FTG / MYG / LOD / PUS / FRO / FUP / KIA / POP / BLS / SPG / MEY / GOH / CHC / COM / ABZ / JAG / OBR / MOS / ROR
 Fixture Material: Aluminum Die Cast

ELECTRICAL

Input Wattage Range: 50 - 79 W
 Lamp Type: LED (Zhaga Standard)
 Input Wattage (W): 53.2
 Total Output Wattage (W): 48.4
 Dimming: Tri-Mode (Non-Dimming and Phase Dimming (120Vac only) and 0-10V Dimming)
 Driver Included: Yes
 Driver Location: Integrated
 Driver Type: Constant Current - Universal
 Driver Class: Class 2
 Input Voltage (V): 120 - 277
 Constant Current (mA): 1050

LED

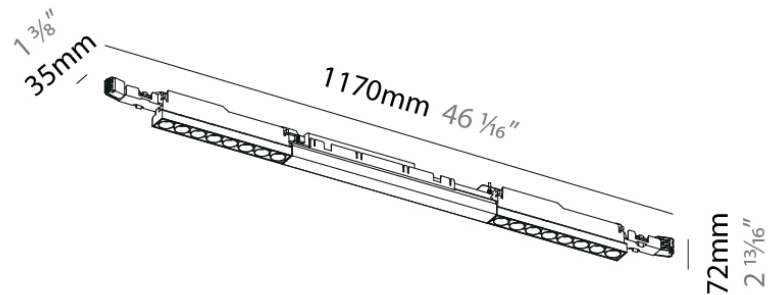
Delivered Lumen Range: 2000 - 2999 lm
 Number of LEDs: 16
 Color Temperature (°K): 2700 / 3000 / 3500 / 4000
 Max. Delivered Lumen (lm): 3312 / 3371 / 3443 / 3513
 Nominal Lumen (lm): 3521 / 3816 / 3882 / 3961
 CRI: >90 CRI
 Lamp Life (hrs): 50000

OPTICAL

Reflector°: 10 / 20 / 40

RATINGS AND CERTIFICATIONS

Certified By: Certified for North American Standards
 IP rating: IP20



PROJECT
TYPE
NOTES
QUANTITY
DATE

A3HY40X-SUS-SYS COMPONENTS

A380524-

DESCRIPTION

Magiq 8 + 8 Micro Dot - Hypro-X 40 Profile Suspension Insert - 53.2W LED (Zhaga Standard) - Black - 2700K / 3000K / 3500K / 4000K - Optics: 21° / 38°

GENERAL

Series: Magiq Micro Dot
 Subseries: Magiq 8 + 8 Cell Micro Dot
 Partner: Prolight
 Division: Architectural
 Product Type: Downlight
 Light Distribution: Downlight

PHYSICAL

Aperture Sizes - Downlights: 1"
 Shape: Rectangle
 Length (mm): 1170
 Length (in): 46 1/16
 Width (mm): 35
 Width (in): 1 3/8
 Height (mm): 72
 Height (in): 2 13/16
 Weight (kg): 1.769
 Weight (lbs): 3.9
 Fixture Material: Aluminum Die Cast

ELECTRICAL

Input Wattage Range: 50 - 79 W
 Lamp Type: LED (Zhaga Standard)
 Input Wattage (W): 53.2
 Total Output Wattage (W): 48.4
 Dimming: Tri-Mode (Non-Dimming and Phase Dimming (120Vac only) and 0-10V Dimming)
 Driver Included: Yes
 Driver Location: Integrated
 Driver Type: Constant Current - Universal
 Driver Class: Class 2
 Input Voltage (V): 120 - 277
 Constant Current (mA): 1050

LED

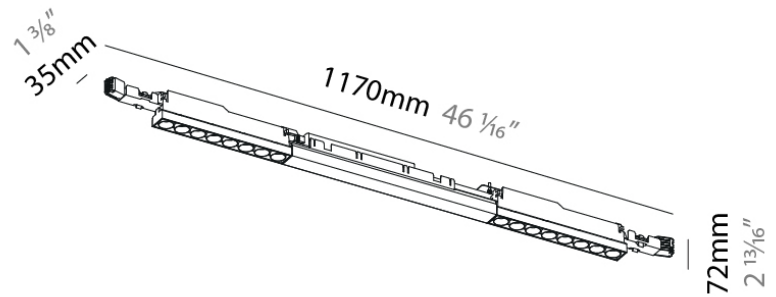
Delivered Lumen Range: 2000 - 2999 lm
 Number of LEDs: 16
 Color Temperature (°K): 2700 / 3000 / 3500 / 4000
 Max. Delivered Lumen (lm): 2560 / 2763 / 2822 / 2880
 Nominal Lumen (lm): 3521 / 3816 / 3882 / 3961
 CRI: >90 CRI
 Lamp Life (hrs): 50000

OPTICAL

Optic°: 21 / 38

RATINGS AND CERTIFICATIONS

Certified By: Certified for North American Standards
 IP rating: IP20



PROJECT
TYPE
NOTES
QUANTITY
DATE

A3HY40X-SUS-SYS COMPONENTS

A380527-

DESCRIPTION

Magiq Hollow Wallwash - Hypro-X 40 Profile Suspension Insert - 18.7W LED (Zhaga Standard) - 2700K / 3000K / 3500K / 4000K - Black

GENERAL

Series: Magiq Hollow Wallwash
 Subseries: Magiq Hollow Wallwash
 Partner: Prolicht
 Division: Architectural
 Product Type: Downlight
 Light Distribution: Downlight

PHYSICAL

Aperture Sizes - Downlights: 1"
 Shape: Rectangle
 Length (mm): 660
 Length (in): 26
 Width (mm): 35
 Width (in): 1 3/8
 Height (mm): 75
 Height (in): 2 15/16
 Weight (kg): 0.848
 Weight (lbs): 1.87
 Fixture Material: Aluminum Die Cast

ELECTRICAL

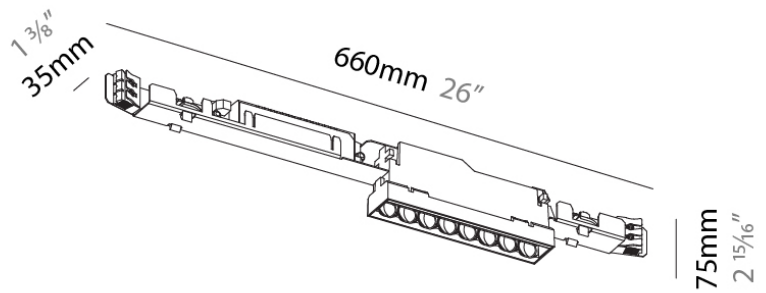
Input Wattage Range: 10 - 19 W
 Lamp Type: LED (Zhaga Standard)
 Input Wattage (W): 18.7
 Total Output Wattage (W): 17.0
 Dimming: Tri-Mode (Non-Dimming and Phase Dimming (120Vac only) and 0-10V Dimming)
 Driver Included: Yes
 Driver Location: Integrated
 Driver Type: Constant Current - Universal
 Driver Class: Class 2
 Input Voltage (V): 120 - 277
 Constant Current (MA): 700

LED

Delivered Lumen Range: 1000 - 1999 lm
 Number of LEDs: 8
 Color Temperature (°K): 2700 / 3000 / 3500 / 4000
 Max. Delivered Lumen (lm): 1270 / 1270 / 1513 / 1544
 Nominal Lumen (lm): 1328 / 1405 / 1574 / 1606
 CRI: >90 CRI
 Lamp Life (hrs): 50000

RATINGS AND CERTIFICATIONS

Certified By: Certified for North American Standards
 IP rating: IP20



PROJECT
TYPE
NOTES
QUANTITY
DATE

A3HY40X-SUS-SYS COMPONENTS

A380530-

DESCRIPTION

Magiq Hollow Wallwash Korona - Hypro-X 40 Profile Suspension Insert - 18.7W LED (Zhaga Standard) - 2700K / 3000K / 3500K / 4000K - Black

GENERAL

Series: Magiq Hollow Wallwash
 Subseries: Magiq Hollow Wallwash Korona
 Partner: Prolicht
 Division: Architectural
 Product Type: Wallwash
 Light Distribution: Asymmetric

PHYSICAL

Shape: Rectangle
 Length (mm): 660
 Length (in): 26
 Width (mm): 35
 Width (in): 1 3/8
 Height (mm): 75
 Height (in): 2 15/16
 Weight (kg): 0.848
 Weight (lbs): 1.87
 Fixture Finish: SSR / BKV / CWI / CRY / HAB / UFT / ITA / RUA / FTG / MYG / LOD / PUS / FRO / FUP / KIA / POP / BLS / SPG / MEY / GOH / CHC / COM / ABZ / JAG / OBR / MOS / ROR
 Fixture Material: Aluminum Die Cast

ELECTRICAL

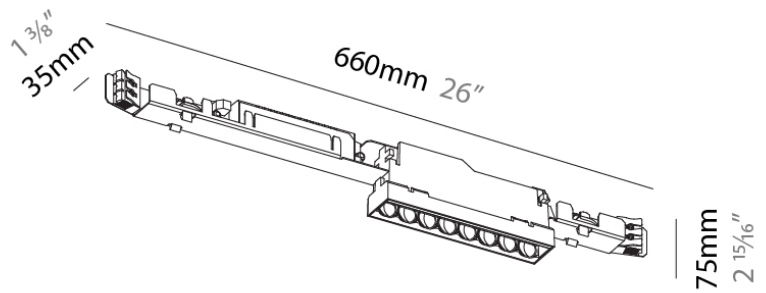
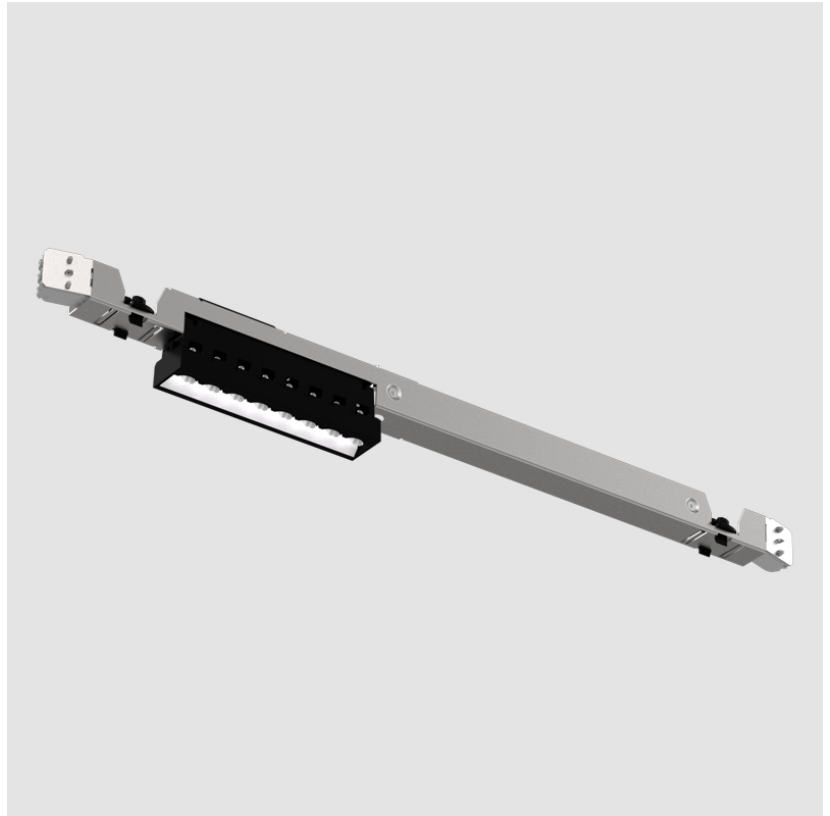
Input Wattage Range: 10 - 19 W
 Lamp Type: LED (Zhaga Standard)
 Input Wattage (W): 18.7
 Total Output Wattage (W): 17.0
 Dimming: Tri-Mode (Non-Dimming and Phase Dimming (120Vac only) and 0-10V Dimming)
 Driver Included: Yes
 Driver Location: Integrated
 Driver Type: Constant Current - Universal
 Driver Class: Class 2
 Input Voltage (V): 120 - 277
 Constant Current (MA): 700

LED

Delivered Lumen Range: 1000 - 1999 lm
 Number of LEDs: 8
 Color Temperature (°K): 2700 / 3000 / 3500 / 4000
 Max. Delivered Lumen (lm): 1270 / 1270 / 1513 / 1544
 Nominal Lumen (lm): 1328 / 1405 / 1574 / 1606
 CRI: >90 CRI
 Lamp Life (hrs): 50000

RATINGS AND CERTIFICATIONS

Certified By: Certified for North American Standards
 IP rating: IP20



PROJECT	
TYPE	
NOTES	
QUANTITY	
DATE	

A3HY40X-SUS-SYS COMPONENTS

A380533-

DESCRIPTION

Magiq Wallwash - Hypro-X 40 Profile Suspension Insert - 31.3W LED (Zhaga Standard) - 2700K / 3000K / 3500K / 4000K - Black

GENERAL

Series: Magiq Wallwash
 Subseries: Magiq Wallwash
 Partner: Prolicht
 Division: Architectural
 Product Type: Wallwash
 Light Distribution: Asymmetric

PHYSICAL

Shape: Rectangle
 Length (mm): 760
 Length (in): 29 ¹⁵/₁₆
 Width (mm): 35
 Width (in): 1 ³/₈
 Height (mm): 85
 Height (in): 3 ³/₈
 Weight (kg): 1.221
 Weight (lbs): 2.69
 Fixture Material: Aluminum Die Cast

ELECTRICAL

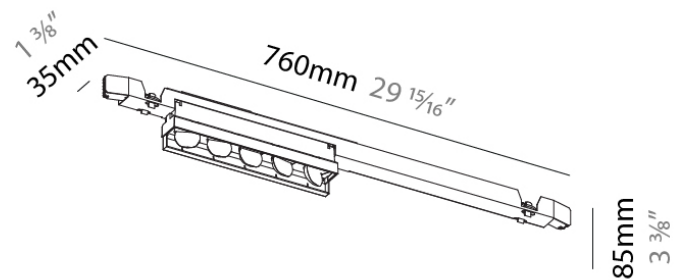
Input Wattage Range: 30 - 49 W
 Lamp Type: LED (Zhaga Standard)
 Input Wattage (W): 31.3
 Total Output Wattage (W): 28.5
 Dimming: Tri-Mode (Non-Dimming and Phase Dimming (120Vac only) and 0-10V Dimming)
 Driver Included: Yes
 Driver Location: Integrated
 Driver Type: Constant Current - Universal
 Driver Class: Class 1
 Input Voltage (V): 120 - 277
 Constant Current (mA): 500

LED

Delivered Lumen Range: 2000 - 2999 lm
 Number of LEDs: 5
 Color Temperature (°K): 2700 / 3000 / 3500 / 4000
 Max. Delivered Lumen (lm): 2125 / 2260 / 2513 / 2564
 Nominal Lumen (lm): 2550 / 2793 / 2877 / 2936
 CRI: >90 CRI
 Lamp Life (hrs): 50000

RATINGS AND CERTIFICATIONS

Certified By: Certified for North American Standards
 IP rating: IP20



A3HY40X-SUS-SYS COMPONENTS

A380537-

DESCRIPTION

Sign Diva Tube - Insert Ø400mm / 15 3/4" for Hypro-X 40
 Suspension: 17 Watt LED - 2700K / 3000K / 3500K / 4000K - CRI
 90 - Dimmable - Shine Ring: No Ring / Opal / Yellow / Orange /
 Red / Blue / Green - Diffuser: Opal / Micro-Prism / Sparkling
 Secret / Vintage Industrial

GENERAL

Series: Sign Diva Tube

Subseries: Sign Diva Tube

Partner: Prolicht

Division: Architectural

Light Distribution: Direct

PHYSICAL

Shape: Round

Diameter (mm): 395

Diameter (in): 15 9/16

Height (mm): 72

Height (in): 2 13/16

Diffuser: PMMA - Opal / Micro-Prism / Sparkling Secret / Vintage
 Industrial

Fixture Finish: SSR / BKV / CWI / CRY / HAB / UFT / ITA / RUA / FTG /
 MYG / LOD / PUS / FRO / FUP / KIA / POP / BLS / SPG / MEY / GOH /
 CHC / COM / ABZ / JAG / OBR / MOS / ROR

Accent Finish: NOR / OPL / YEL / ORA / RED / BLU / GRN

Fixture Material: PMMA / Extruded Aluminum / Steel

ELECTRICAL

Input Wattage Range: 10 - 19 W

Lamp Type: LED (Zhaga Standard)

Input Wattage (W): 17

Total Output Wattage (W): 15.4

Dimming: Non-Dimmable / 0-10V Dimming

Driver Included: Yes

Driver Location: Integrated

Driver Type: Constant Current - Universal

Driver Class: Class 2

Input Voltage (V): 120 - 277

Constant Current (mA): 350

Upon Request: Phase Dimming (Trailing/Leading Edge)

LED

Delivered Lumen Range: 1000 - 1999 lm

Color Temperature (°K): 2700 / 3000 / 3500 / 4000

Max. Delivered Lumen (lm): 1807 / 1943 / 1951 / 1991

Nominal Lumen (lm): 2250 / 2420 / 2430 / 2480

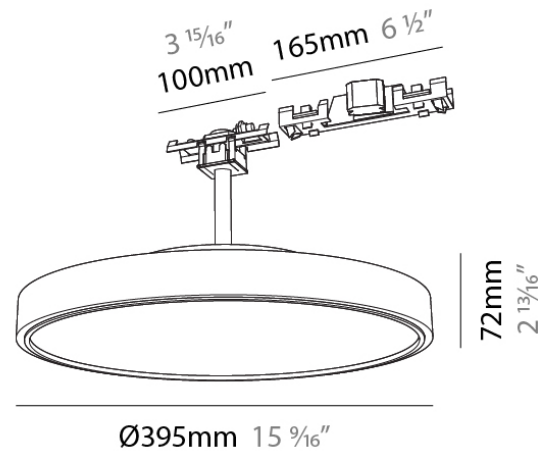
CRI: >90 CRI

Lamp Life (hrs): 50000

RATINGS AND CERTIFICATIONS

Certified By: Certified for North American Standards

IP rating: IP20



PROJECT
TYPE
NOTES
QUANTITY
DATE

A3HY40X-SUS-SYS COMPONENTS

A380541-

DESCRIPTION

Sign Diva Tube Korona - Insert Ø400mm / 15 3/4" for Hypro-X 40 Suspension: 17 Watt LED - 2700K / 3000K / 3500K / 4000K - CRI 90 - Dimmable - Diffuser: Opal / Micro-Prism / Sparkling Secret / Vintage Industrial

GENERAL

Series: Sign Diva Tube
 Subseries: Sign Diva Tube Korona
 Partner: Prolicht
 Division: Architectural
 Light Distribution: Direct

PHYSICAL

Shape: Round
 Diameter (mm): 395
 Diameter (in): 15 9/16
 Height (mm): 86
 Height (in): 3 3/8
 Diffuser: PMMA - Opal / Micro-Prism / Sparkling Secret / Vintage Industrial
 Fixture Finish: SSR / BKV / CWI / CRY / HAB / UFT / ITA / RUA / FTG / MYG / LOD / PUS / FRO / FUP / KIA / POP / BLS / SPG / MEY / GOH / CHC / COM / ABZ / JAG / OBR / MOS / ROR
 Fixture Material: PMMA / Extruded Aluminum / Steel

ELECTRICAL

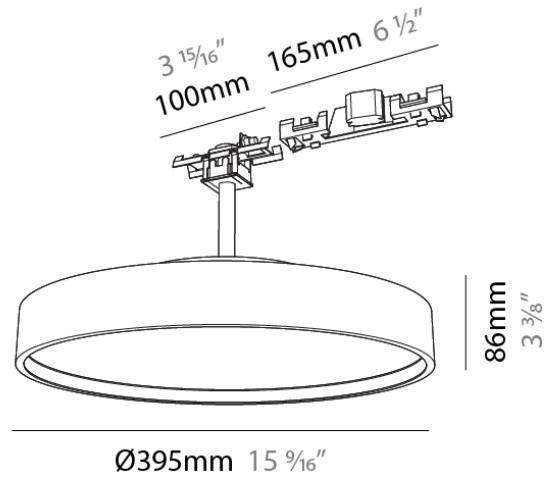
Input Wattage Range: 10 - 19 W
 Lamp Type: LED (Zhaga Standard)
 Input Wattage (W): 17
 Total Output Wattage (W): 15.4
 Dimming: Non-Dimmable / 0-10V Dimming
 Driver Included: Yes
 Driver Location: Integrated
 Driver Type: Constant Current - Universal
 Driver Class: Class 2
 Input Voltage (V): 120 - 277
 Constant Current (mA): 350
 Upon Request: Phase Dimming (Trailing/Leading Edge)

LED

Delivered Lumen Range: 1000 - 1999 lm
 Color Temperature (°K): 2700 / 3000 / 3500 / 4000
 Max. Delivered Lumen (lm): 1807 / 1943 / 1951 / 1991
 Nominal Lumen (lm): 2250 / 2420 / 2430 / 2480
 CRI: >90 CRI
 Lamp Life (hrs): 50000

RATINGS AND CERTIFICATIONS

Certified By: Certified for North American Standards
 IP rating: IP20



PROJECT
TYPE
NOTES
QUANTITY
DATE

A3HY40X-SUS-SYS COMPONENTS

A380545-

DESCRIPTION

Sign Diva Tube - Insert Ø570mm / 22 7/16" for Hypro-X 40
 Suspension: 49 Watt LED - 2700K / 3000K / 3500K / 4000K - CRI
 90 - Dimmable - Shine Ring: No Ring / Opal / Yellow / Orange /
 Red / Blue / Green - Diffuser: Opal / Micro-Prism / Sparkling
 Secret / Vintage Industrial

GENERAL

Series: Sign Diva Tube
 Subseries: Sign Diva Tube
 Partner: Prolicht
 Division: Architectural
 Light Distribution: Direct

PHYSICAL

Shape: Round
 Diameter (mm): 570
 Diameter (in): 22 7/16
 Height (mm): 72
 Height (in): 2 13/16
 Diffuser: PMMA - Opal / Micro-Prism / Sparkling Secret / Vintage
 Industrial
 Fixture Finish: SSR / BKV / CWI / CRY / HAB / UFT / ITA / RUA / FTG /
 MYG / LOD / PUS / FRO / FUP / KIA / POP / BLS / SPG / MEY / GOH /
 CHC / COM / ABZ / JAG / OBR / MOS / ROR
 Accent Finish: NOR / OPL / YEL / ORA / RED / BLU / GRN
 Fixture Material: PMMA / Extruded Aluminum / Steel

ELECTRICAL

Input Wattage Range: 30 - 49 W
 Lamp Type: LED (Zhaga Standard)
 Input Wattage (W): 49
 Total Output Wattage (W): 44.6
 Dimming: Non-Dimmable / 0-10V Dimming
 Driver Included: Yes
 Driver Location: Integrated
 Driver Type: Constant Current - Universal
 Driver Class: Class 2
 Input Voltage (V): 120 - 277
 Constant Current (MA): 350
 Upon Request: Phase Dimming (Trailing/Leading Edge)

LED

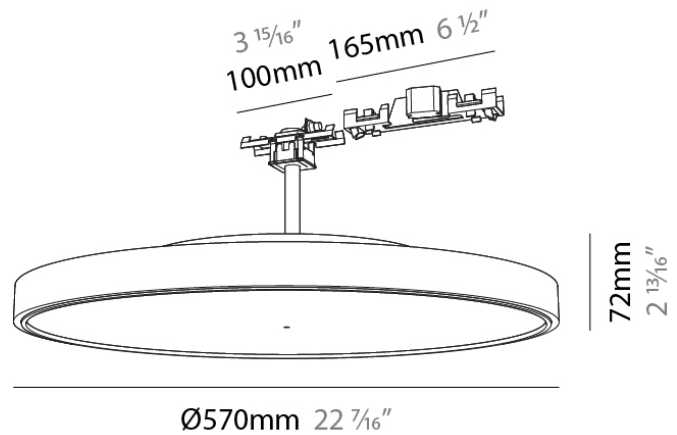
Delivered Lumen Range: 5000 - 9999 lm
 Color Temperature (°K): 2700 / 3000 / 3500 / 4000
 Max. Delivered Lumen (lm): 4978 / 5337 / 5384 / 5494
 Nominal Lumen (lm): 6199 / 6646 / 6705 / 6842
 CRI: >90 CRI
 Lamp Life (hrs): 50000

OPTICAL

Beam Angle: 110

RATINGS AND CERTIFICATIONS

Certified By: Certified for North American Standards
 IP rating: IP20



PROJECT
TYPE
NOTES
QUANTITY
DATE

A3HY40X-SUS-SYS COMPONENTS

A380549-

DESCRIPTION

Sign Diva Tube Korona - Insert Ø570mm / 22 7/16" for Hypro-X 40 Suspension: 49 Watt LED - 2700K / 3000K / 3500K / 4000K - CRI 90 - Dimmable - Diffuser: Opal / Micro-Prism / Sparkling Secret / Vintage Industrial

GENERAL

Series: Sign Diva Tube
 Subseries: Sign Diva Tube Korona
 Partner: Prolicht
 Division: Architectural
 Light Distribution: Direct

PHYSICAL

Shape: Round
 Diameter (mm): 570
 Diameter (in): 22 7/16
 Height (mm): 86
 Height (in): 3 3/8
 Diffuser: PMMA - Opal / Micro-Prism / Sparkling Secret / Vintage Industrial
 Fixture Finish: SSR / BKV / CWI / CRY / HAB / UFT / ITA / RUA / FTG / MYG / LOD / PUS / FRO / FUP / KIA / POP / BLS / SPG / MEY / GOH / CHC / COM / ABZ / JAG / OBR / MOS / ROR
 Fixture Material: PMMA / Extruded Aluminum / Steel

ELECTRICAL

Input Wattage Range: 30 - 49 W
 Lamp Type: LED (Zhaga Standard)
 Input Wattage (W): 49
 Total Output Wattage (W): 44.6
 Dimming: Non-Dimmable / 0-10V Dimming
 Driver Included: Yes
 Driver Location: Integrated
 Driver Type: Constant Current - Universal
 Driver Class: Class 2
 Input Voltage (V): 120 - 277
 Constant Current (mA): 350
 Upon Request: Phase Dimming (Trailing/Leading Edge)

LED

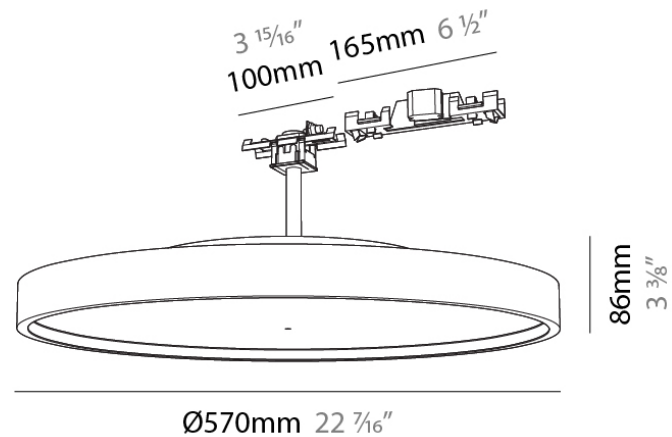
Delivered Lumen Range: 5000 - 9999 lm
 Color Temperature (°K): 2700 / 3000 / 3500 / 4000
 Max. Delivered Lumen (lm): 4978 / 5337 / 5384 / 5494
 Nominal Lumen (lm): 6199 / 6646 / 6705 / 6842
 CRI: >90 CRI
 Lamp Life (hrs): 50000

OPTICAL

Beam Angle: 110

RATINGS AND CERTIFICATIONS

Certified By: Certified for North American Standards
 IP rating: IP20



A3HY40X-SUS-SYS COMPONENTS

A380553-

DESCRIPTION

Hadi-M Suspended - Insert 1242mm / 48 7/8" x 240mm / 9 7/16"
 for Hypro-X 40 Suspension - Direct - 37W LED - 3000K / 3500K /
 4000K - CRI 90 - Non-Dimming

GENERAL

Series: Hadi
 Subseries: Hadi-M Suspended
 Partner: Prolicht
 Division: Architectural
 Light Distribution: Direct

PHYSICAL

Shape: Round
 Length (mm): 1242
 Length (in): 48 7/8
 Width (mm): 240
 Width (in): 9 7/16
 Height (mm): 48
 Height (in): 1 7/8
 Fixture Finish: SSR / BKV / CWI / CRY / HAB / UFT / ITA / RUA / FTG /
 MYG / LOD / PUS / FRO / FUP / KIA / POP / BLS / SPG / MEY / GOH /
 CHC / COM / ABZ / JAG / OBR / MOS / ROR
 Fixture Material: Extruded Aluminum / Steel
 Cable Details: 2,000mm or 6,000mm Transparent Cable

ELECTRICAL

Input Wattage Range: 30 - 49 W
 Lamp Type: LED (Zhaga Standard)
 Input Wattage (W): 37
 Total Output Wattage (W): 33.6
 Dimming: Tri-Mode (Non-Dimming and Phase Dimming (120Vac
 only) and 0-10V Dimming)
 Driver Included: Yes
 Driver Location: Integrated
 Driver Type: Constant Current - Universal
 Driver Class: Class 2
 Input Voltage (V): 120 - 277
 Constant Current (mA): 900

LED

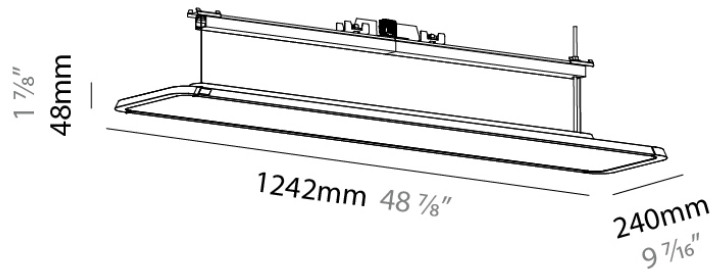
Delivered Lumen Range: 3000 - 4999 lm
 Color Temperature (°K): 3000 / 3500 / 4000
 Max. Delivered Lumen (lm): 4269 / 4265 / 4352
 Nominal Lumen (lm): 4796 / 4971 / 5072
 CRI: >90 CRI
 Lamp Life (hrs): 50000

OPTICAL

Beam Angle: 90
 Adjustability: Fixed

RATINGS AND CERTIFICATIONS

Certified By: Certified for North American Standards
 IP rating: IP20



PROJECT
TYPE
NOTES
QUANTITY
DATE

A3HY40X-SUS-SYS COMPONENTS

A380557-

DESCRIPTION

Hadi-M Suspended - Insert 1242mm / 48 7/8" x 240mm / 9 7/16" for Hypro-X 40 Suspension - Direct / Indirect - 78W LED - 3000K / 3500K / 4000K - CRI 90 - Non-Dimming

GENERAL

Series: Hadi
 Subseries: Hadi-M Suspended
 Partner: Prolicht
 Division: Architectural
 Light Distribution: Direct

PHYSICAL

Shape: Round
 Length (mm): 1242
 Length (in): 48 7/8
 Width (mm): 240
 Width (in): 9 7/16
 Height (mm): 48
 Height (in): 1 7/8
 Fixture Finish: SSR / BKV / CWI / CRY / HAB / UFT / ITA / RUA / FTG / MYG / LOD / PUS / FRO / FUP / KIA / POP / BLS / SPG / MEY / GOH / CHC / COM / ABZ / JAG / OBR / MOS / ROR
 Fixture Material: Extruded Aluminum / Steel
 Cable Details: 2,000mm or 6,000mm Transparent Cable

ELECTRICAL

Input Wattage Range: 50 - 79 W
 Lamp Type: LED (Zhaga Standard)
 Input Wattage (W): 78
 Total Output Wattage (W): 70.9
 Dimming: Non-Dimmable / 0-10V Dimming
 Driver Included: Yes
 Driver Location: Integrated
 Driver Type: Constant Current - Universal
 Driver Class: Class 2
 Input Voltage (V): 120 - 277

LED

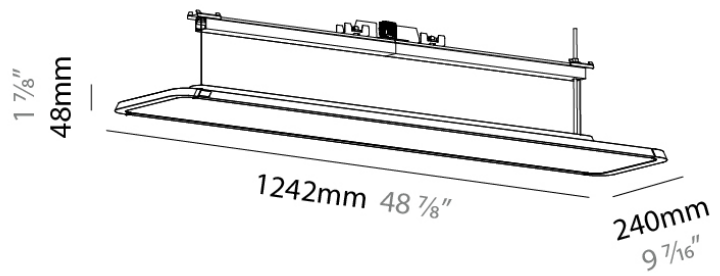
Delivered Lumen Range: 5000 - 9999 lm
 Color Temperature (°K): 3000 / 3500 / 4000
 Max. Delivered Lumen (lm): 5998 / 5997 / 6119
 Nominal Lumen (lm): 9801 / 9799 / 9999
 CRI: >90 CRI
 Lamp Life (hrs): 50000

OPTICAL

Beam Angle: 90
 Adjustability: Fixed

RATINGS AND CERTIFICATIONS

Certified By: Certified for North American Standards
 IP rating: IP20



PROJECT	
TYPE	
NOTES	
QUANTITY	
DATE	

A3HY40X-SUS-SYS COMPONENTS

A380561-

DESCRIPTION

Hadi Q Suspended - Insert 1403mm / 55 1/4" x 240mm / 9 7/16" for Hypro-X 40 Suspension - Direct - 37W LED - 3000K / 3500K / 4000K - CRI 90 - Non-Dimming

GENERAL

Series: Hadi
 Subseries: Hadi-Q Suspended
 Partner: Prolicht
 Division: Architectural
 Light Distribution: Direct

PHYSICAL

Shape: Round
 Length (mm): 1403
 Length (in): 55 1/4
 Width (mm): 240
 Width (in): 9 7/16
 Height (mm): 48
 Height (in): 1 7/8
 Fixture Finish: SSR / BKV / CWI / CRY / HAB / UFT / ITA / RUA / FTG / MYG / LOD / PUS / FRO / FUP / KIA / POP / BLS / SPG / MEY / GOH / CHC / COM / ABZ / JAG / OBR / MOS / ROR
 Fixture Material: Extruded Aluminum / Steel
 Cable Details: 2,000mm or 6,000mm Transparent Cable

ELECTRICAL

Input Wattage Range: 30 - 49 W
 Lamp Type: LED (Zhaga Standard)
 Input Wattage (W): 37
 Total Output Wattage (W): 33.6
 Dimming: Tri-Mode (Non-Dimming and Phase Dimming (120Vac only) and 0-10V Dimming)
 Driver Included: Yes
 Driver Location: Integrated
 Driver Type: Constant Current - Universal
 Driver Class: Class 2
 Input Voltage (V): 120 - 277
 Constant Current (MA): 900

LED

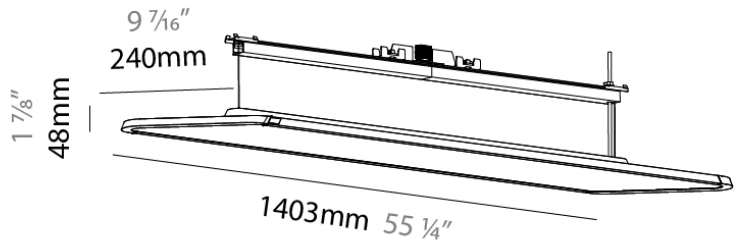
Delivered Lumen Range: 3000 - 4999 lm
 Color Temperature (°K): 3000 / 3500 / 4000
 Max. Delivered Lumen (lm): 3911 / 3907 / 3987
 Nominal Lumen (lm): 4976 / 4971 / 5072
 CRI: >90 CRI
 Lamp Life (hrs): 50000

OPTICAL

Beam Angle: 90
 Adjustability: Fixed

RATINGS AND CERTIFICATIONS

Certified By: Certified for North American Standards
 IP rating: IP20



A3HY40X-SUS-SYS COMPONENTS

A380565-

DESCRIPTION

Hadi Q Suspended - Insert 1403mm / 55 1/4" x 240mm / 9 7/16" for Hypro-X 40 Suspension - Direct / Indirect - 78W LED - 3000K / 3500K / 4000K - CRI 90 - Non-Dimming

GENERAL

Series: Hadi
 Subseries: Hadi-Q Suspended
 Partner: Prolicht
 Division: Architectural
 Light Distribution: Direct

PHYSICAL

Shape: Round
 Length (mm): 1403
 Length (in): 55 1/4
 Width (mm): 240
 Width (in): 9 7/16
 Height (mm): 48
 Height (in): 1 7/8
 Fixture Finish: SSR / BKV / CWI / CRY / HAB / UFT / ITA / RUA / FTG / MYG / LOD / PUS / FRO / FUP / KIA / POP / BLS / SPG / MEY / GOH / CHC / COM / ABZ / JAG / OBR / MOS / ROR
 Fixture Material: Extruded Aluminum / Steel
 Cable Details: 2,000mm or 6,000mm Transparent Cable

ELECTRICAL

Input Wattage Range: 50 - 79 W
 Lamp Type: LED (Zhaga Standard)
 Input Wattage (W): 78
 Total Output Wattage (W): 70.9
 Dimming: Non-Dimmable / 0-10V Dimming
 Driver Included: Yes
 Driver Location: Integrated
 Driver Type: Constant Current - Universal
 Driver Class: Class 2
 Input Voltage (V): 120 - 277

LED

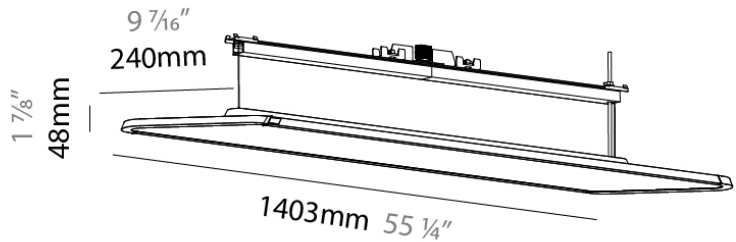
Delivered Lumen Range: 3000 - 4999 lm
 Color Temperature (°K): 3000 / 3500 / 4000
 Max. Delivered Lumen (lm): 3911 / 3907 / 3987
 Nominal Lumen (lm): 4976 / 4971 / 5072
 CRI: >90 CRI
 Lamp Life (hrs): 50000

OPTICAL

Beam Angle: 90
 Adjustability: Fixed

RATINGS AND CERTIFICATIONS

Certified By: Certified for North American Standards
 IP rating: IP20



PROJECT
TYPE
NOTES
QUANTITY
DATE

A3HY40X-SUS-SYS COMPONENTS

A380569-

DESCRIPTION

Hadi-M Surface - Insert 1242mm / 48 7/8" x 240mm / 9 7/16" for Hypro-X 40 Suspension - Direct - 37W LED - 3000K / 3500K / 4000K - CRI 90 - Non-Dimming

GENERAL

Series: Hadi
 Subseries: Hadi-Q Surface
 Partner: Prolicht
 Division: Architectural
 Light Distribution: Direct

PHYSICAL

Shape: Round
 Length (mm): 1242
 Length (in): 48 7/8
 Width (mm): 240
 Width (in): 9 7/16
 Height (mm): 48
 Height (in): 1 7/8
 Fixture Finish: SSR / BKV / CWI / CRY / HAB / UFT / ITA / RUA / FTG / MYG / LOD / PUS / FRO / FUP / KIA / POP / BLS / SPG / MEY / GOH / CHC / COM / ABZ / JAG / OBR / MOS / ROR
 Fixture Material: Extruded Aluminum / Steel
 Cable Details: 2,000mm or 6,000mm Transparent Cable

ELECTRICAL

Input Wattage Range: 30 - 49 W
 Lamp Type: LED (Zhaga Standard)
 Input Wattage (W): 37
 Total Output Wattage (W): 33.6
 Dimming: Tri-Mode (Non-Dimming and Phase Dimming (120Vac only) and 0-10V Dimming)
 Driver Included: Yes
 Driver Location: Integrated
 Driver Type: Constant Current - Universal
 Driver Class: Class 2
 Input Voltage (V): 120 - 277
 Constant Current (MA): 900

LED

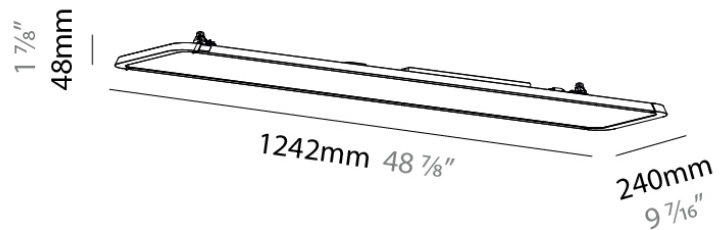
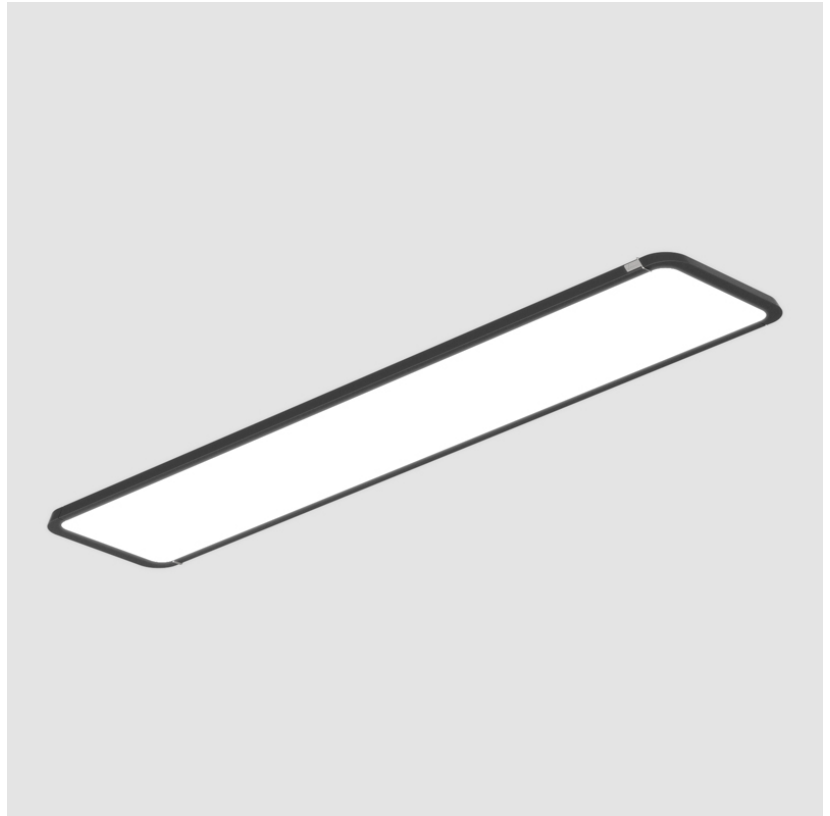
Delivered Lumen Range: 3000 - 4999 lm
 Color Temperature (°K): 3000 / 3500 / 4000
 Max. Delivered Lumen (lm): 4269 / 4265 / 4352
 Nominal Lumen (lm): 4796 / 4971 / 5072
 CRI: >90 CRI
 Lamp Life (hrs): 50000

OPTICAL

Beam Angle: 90
 Adjustability: Fixed

RATINGS AND CERTIFICATIONS

Certified By: Certified for North American Standards
 IP rating: IP20



PROJECT
TYPE
NOTES
QUANTITY
DATE

A3HY40X-SUS-SYS COMPONENTS

A380573-

DESCRIPTION

Hadi-M Surface - Insert 1242mm / 48 7/8" x 240mm / 9 7/16" for Hypro-X 40 Suspension - Direct / Indirect - 78W LED - 3000K / 3500K / 4000K - CRI 90 - Non-Dimming

GENERAL

Series: Hadi
 Subseries: Hadi-M Surface
 Partner: Prolicht
 Division: Architectural
 Light Distribution: Direct

PHYSICAL

Shape: Round
 Length (mm): 1242
 Length (in): 48 7/8
 Width (mm): 240
 Width (in): 9 7/16
 Height (mm): 48
 Height (in): 1 7/8
 Fixture Finish: SSR / BKV / CWI / CRY / HAB / UFT / ITA / RUA / FTG / MYG / LOD / PUS / FRO / FUP / KIA / POP / BLS / SPG / MEY / GOH / CHC / COM / ABZ / JAG / OBR / MOS / ROR
 Fixture Material: Extruded Aluminum / Steel
 Cable Details: 2,000mm or 6,000mm Transparent Cable

ELECTRICAL

Input Wattage Range: 50 - 79 W
 Lamp Type: LED (Zhaga Standard)
 Input Wattage (W): 78
 Total Output Wattage (W): 70.9
 Dimming: Non-Dimmable / 0-10V Dimming
 Driver Included: Yes
 Driver Location: Integrated
 Driver Type: Constant Current - Universal
 Driver Class: Class 2
 Input Voltage (V): 120 - 277
 Constant Current (mA): 225mA

LED

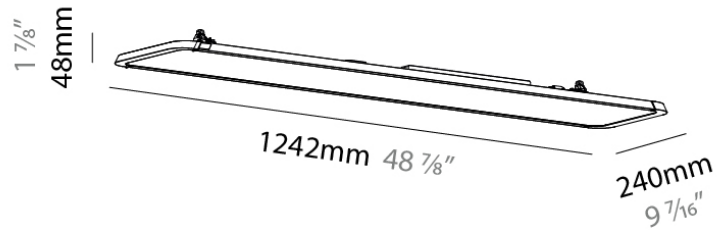
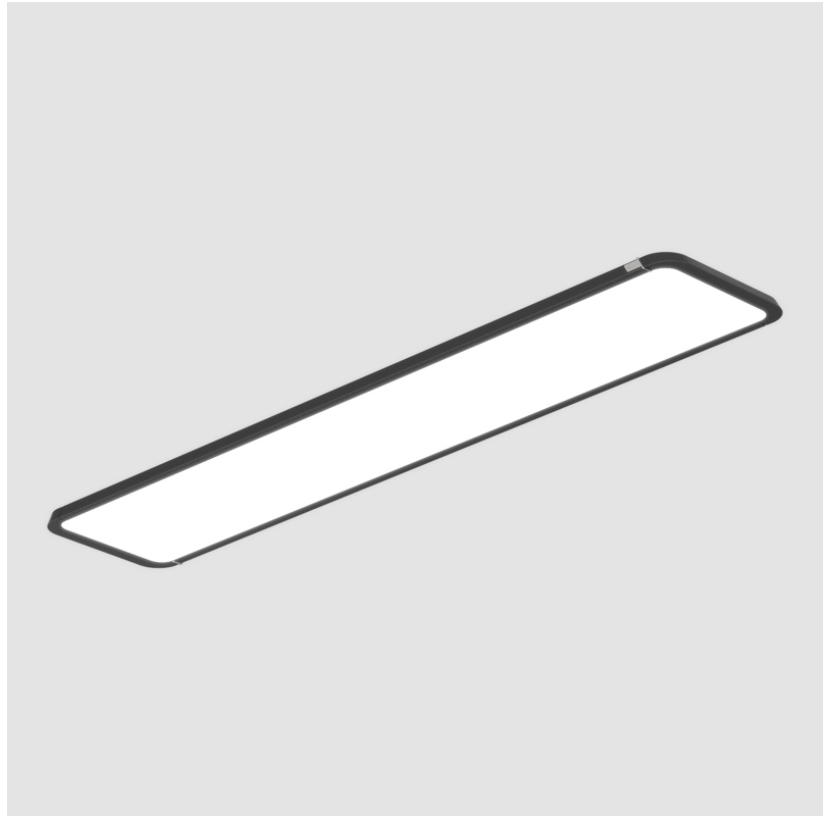
Delivered Lumen Range: 5000 - 9999 lm
 Color Temperature (°K): 3000 / 3500 / 4000
 Max. Delivered Lumen (lm): 5998 / 5997 / 6119
 Nominal Lumen (lm): 9801 / 9799 / 9999
 CRI: >90 CRI
 Lamp Life (hrs): 50000

OPTICAL

Beam Angle: 90
 Adjustability: Fixed

RATINGS AND CERTIFICATIONS

Certified By: Certified for North American Standards
 IP rating: IP20



A3HY40X-SUS-SYS COMPONENTS

A380577-

DESCRIPTION

Hadi Q Surface - Insert 1403mm / 55 1/4" x 240mm / 9 7/16" for
 Hypro-X 40 Suspension - Direct - 37W LED - 3000K / 3500K /
 4000K - CRI 90 - Non-Dimming

GENERAL

Series: Hadi
 Subseries: Hadi-Q Surface
 Partner: Prolicht
 Division: Architectural
 Light Distribution: Direct

PHYSICAL

Shape: Round
 Length (mm): 1403
 Length (in): 55 1/4
 Width (mm): 240
 Width (in): 9 7/16
 Height (mm): 48
 Height (in): 1 7/8
 Fixture Finish: SSR / BKV / CWI / CRY / HAB / UFT / ITA / RUA / FTG /
 MYG / LOD / PUS / FRO / FUP / KIA / POP / BLS / SPG / MEY / GOH /
 CHC / COM / ABZ / JAG / OBR / MOS / ROR
 Fixture Material: Extruded Aluminum / Steel
 Cable Details: 2,000mm or 6,000mm Transparent Cable

ELECTRICAL

Input Wattage Range: 30 - 49 W
 Lamp Type: LED (Zhaga Standard)
 Input Wattage (W): 37
 Total Output Wattage (W): 33.6
 Dimming: Tri-Mode (Non-Dimming and Phase Dimming (120Vac
 only) and 0-10V Dimming)
 Driver Included: Yes
 Driver Location: Integrated
 Driver Type: Constant Current - Universal
 Driver Class: Class 2
 Input Voltage (V): 120 - 277
 Constant Current (MA): 900

LED

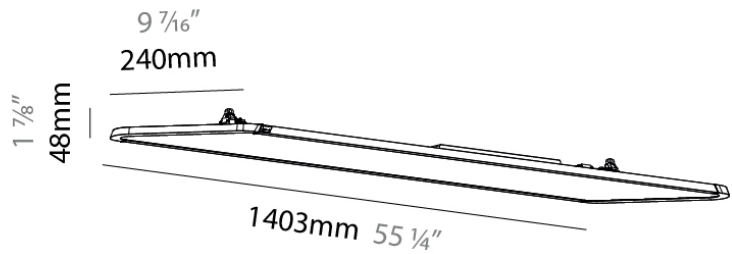
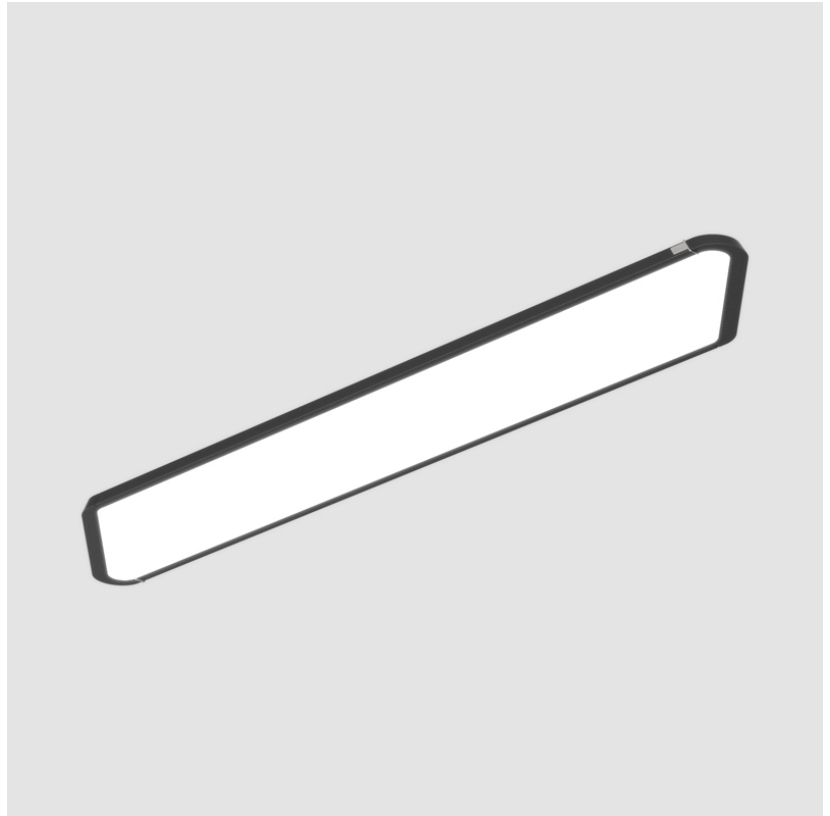
Delivered Lumen Range: 3000 - 4999 lm
 Color Temperature (°K): 3000 / 3500 / 4000
 Max. Delivered Lumen (lm): 3911 / 3907 / 3987
 Nominal Lumen (lm): 4976 / 4971 / 5072
 CRI: >90 CRI
 Lamp Life (hrs): 50000

OPTICAL

Beam Angle: 90
 Adjustability: Fixed

RATINGS AND CERTIFICATIONS

Certified By: Certified for North American Standards
 IP rating: IP20



A3HY40X-SUS-SYS COMPONENTS

A380581-

DESCRIPTION

Hadi Q Surface - Insert 1403mm / 55 1/4" x 240mm / 9 7/16" for
Hypro-X 40 Suspension - Direct / Indirect - 78W LED - 3000K /
3500K / 4000K - CRI 90 - Non-Dimming

GENERAL

Series: Hadi
Subseries: Hadi-Q Surface
Partner: Prolicht
Division: Architectural
Light Distribution: Direct

PHYSICAL

Shape: Round
Length (mm): 1403
Length (in): 55 1/4
Width (mm): 240
Width (in): 9 7/16
Height (mm): 48
Height (in): 1 7/8
Fixture Finish: SSR / BKV / CWI / CRY / HAB / UFT / ITA / RUA / FTG /
MYG / LOD / PUS / FRO / FUP / KIA / POP / BLS / SPG / MEY / GOH /
CHC / COM / ABZ / JAG / OBR / MOS / ROR
Fixture Material: Extruded Aluminum / Steel
Cable Details: 2,000mm or 6,000mm Transparent Cable

ELECTRICAL

Input Wattage Range: 50 - 79 W
Lamp Type: LED (Zhaga Standard)
Input Wattage (W): 78
Total Output Wattage (W): 70.9
Dimming: Non-Dimmable / 0-10V Dimming
Driver Included: Yes
Driver Location: Integrated
Driver Type: Constant Current - Universal
Driver Class: Class 2
Input Voltage (V): 120 - 277
Constant Current (MA): 225mA

LED

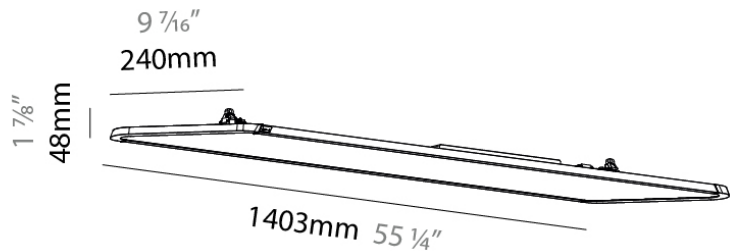
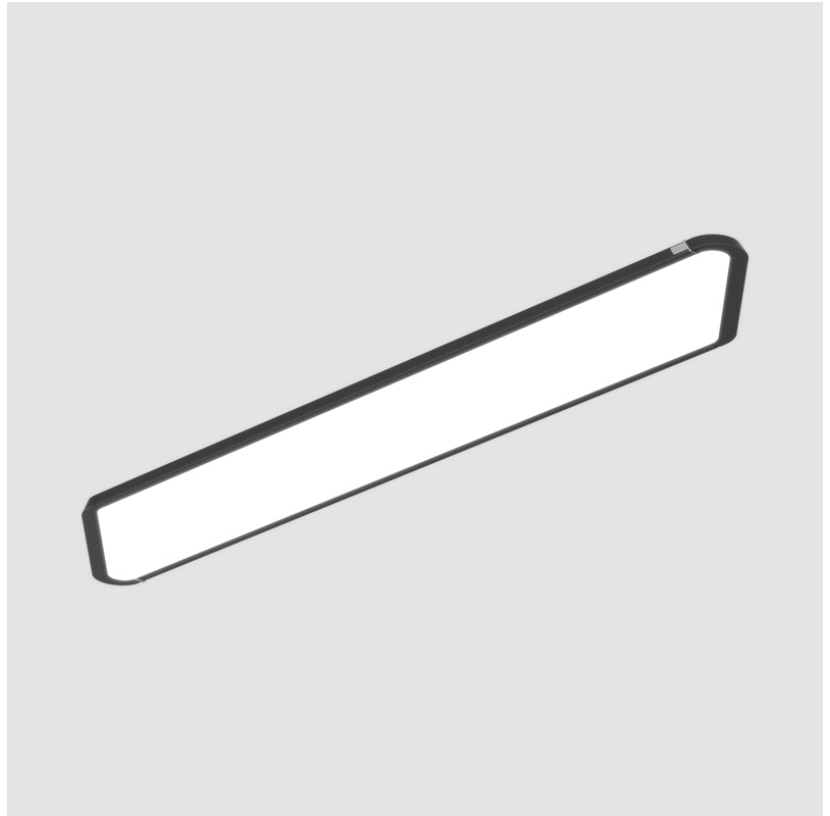
Delivered Lumen Range: 5000 - 9999 lm
Color Temperature (°K): 3000 / 3500 / 4000
Max. Delivered Lumen (lm): 5783 / 5781 / 5899
Nominal Lumen (lm): 9801 / 9799 / 9999
CRI: >90 CRI
Lamp Life (hrs): 50000

OPTICAL

Beam Angle: 90
Adjustability: Fixed

RATINGS AND CERTIFICATIONS

Certified By: Certified for North American Standards
IP rating: IP20



PROJECT
TYPE
NOTES
QUANTITY
DATE

A3HY40X-SUS-SYS COMPONENTS

A380639-

DESCRIPTION

Rico LED (Zhaga Standard) - 1128mm / 44 7/16" Hypro 40 Profile
 Insert - 35W LED (Zhaga Standard) - 2700K / 3000K / 3500K /
 4000K - Beam Angle: 46° / 62°

GENERAL

Series: Hypro
 Subseries: Hypro 40
 Partner: Prolicht
 Division: Architectural
 Light Distribution: Direct

PHYSICAL

Length (mm): 1288
 Length (in): 44 7/16
 Width (mm): 29
 Width (in): 1 1/10
 Height (mm): 50
 Height (in): 2
 Weight (kg): 1.191
 Weight (lbs): 2.63
 Fixture Material: Metal

ELECTRICAL

Input Wattage Range: 20 - 29 W
 Lamp Type: LED (Zhaga Standard)
 Input Wattage (W): 25
 Dimming: Non-Dimmable / 0-10V Dimming
 Driver Included: Yes
 Driver Location: Integrated
 Driver Type: Constant Current - 120Vac
 Driver Class: Class 1
 Input Voltage (V): 120
 Constant Current (mA): 350

LED

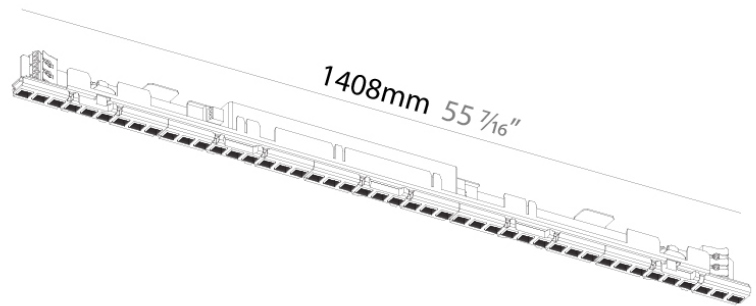
Delivered Lumen Range: 3000 - 4999 lm
 Color Temperature (°K): 2700 / 3000 / 3500 / 4000
 Max. Delivered Lumen (lm): 2213 / 2299 / 2400 / 2449
 Nominal Lumen (lm): 3245 / 3371 / 3519 / 3591
 CRI: >80 CRI
 Lamp Life (hrs): 50000

OPTICAL

Beam Angle: 46 / 62

RATINGS AND CERTIFICATIONS

Certified By: Certified for North American Standards
 IP rating: IP20



A3HY40X-SUS-SYS COMPONENTS

PROJECT	_____
TYPE	_____
NOTES	_____
QUANTITY	_____
DATE	_____

A38870

DESCRIPTION

Idaho / Hypro 40 Recessed System Linear Coupler

GENERAL

Partner: Prolight

Division: Architectural

PHYSICAL

Shape: Rectangle

Length (mm): 150

Length (in): 5 ⁷/₈

Width (mm): 35

Width (in): 1 ³/₈

Height (mm): 33

Height (in): 1 ⁵/₁₆

Weight (kg): 0.167

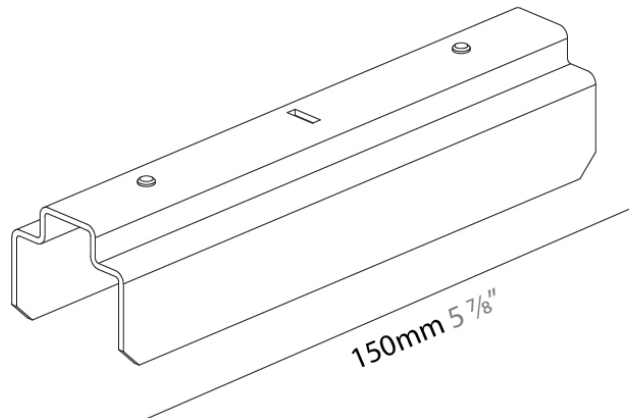
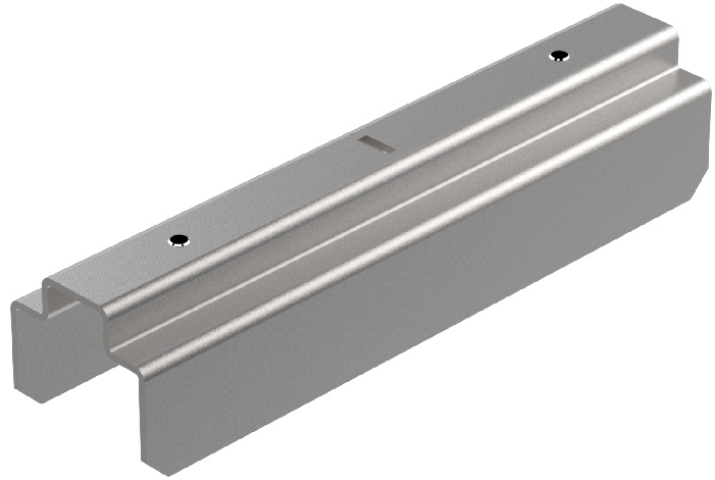
Weight (lbs): 0.37

Fixture Material: Aluminum

RATINGS AND CERTIFICATIONS

Certified By: Certified for North American Standards

IP rating: IP20



A3HY40X-SUS-SYS COMPONENTS

PROJECT _____

TYPE _____

NOTES _____

QUANTITY _____

DATE _____

A38876

DESCRIPTION

Idaho / Hypro 40 Recessed System Central Feed

GENERAL

Partner: Prolight

Division: Architectural

PHYSICAL

Length (mm): 31

Length (in): 1 ¼

Width (mm): 27

Width (in): 1 ⅛

Height (mm): 45

Height (in): 1 ¾

Weight (kg): 0.046

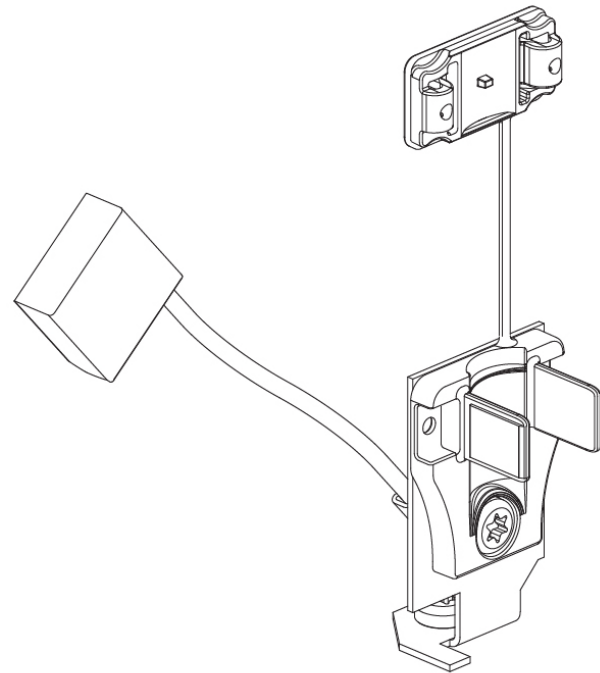
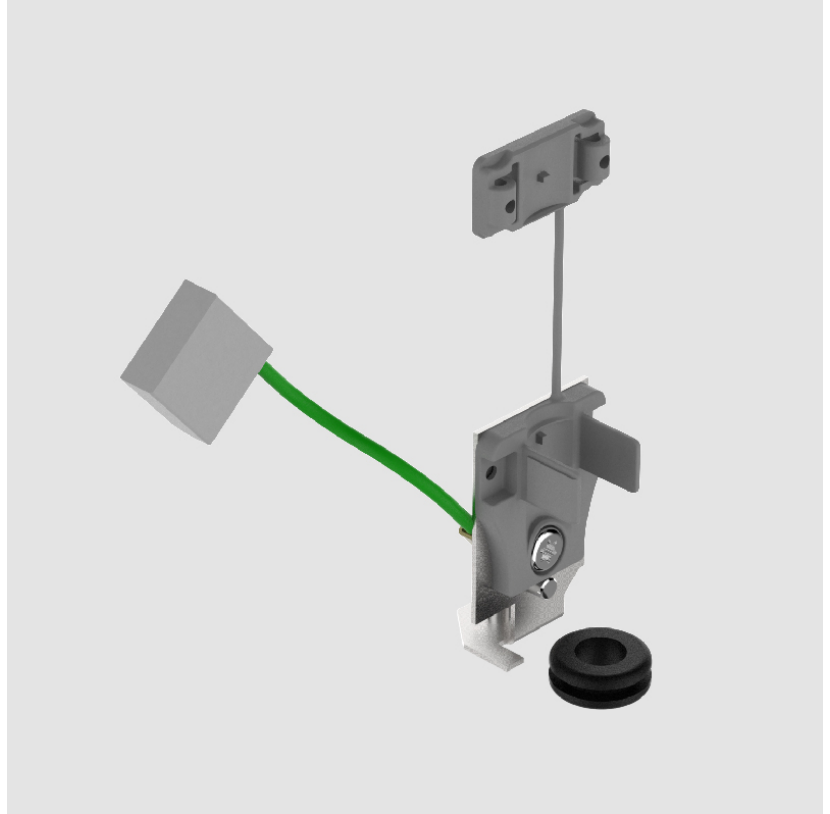
Weight (lbs): 0.10

Fixture Material: Aluminum

RATINGS AND CERTIFICATIONS

Certified By: Certified for North American Standards

IP rating: IP20



A

PROJECT	
TYPE	
NOTES	
QUANTITY	
DATE	

A3HY40X-SUS-SYS COMPONENTS

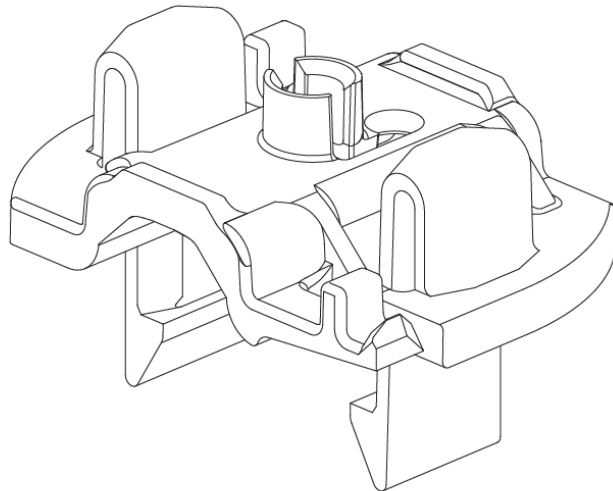
A38877

DESCRIPTION
Idaho / Hypro 40 Recessed System - Cable Holder

GENERAL
Partner: Prolicht
Division: Architectural

PHYSICAL
Length (mm): 25
Length (in): 1
Width (mm): 36
Width (in): 1 7/16
Height (mm): 22
Height (in): 7/8
Weight (kg): 0.004
Weight (lbs): 0.008
Fixture Material: Aluminum

RATINGS AND CERTIFICATIONS
Certified By: Certified for North American Standards
IP rating: IP20



A3HY40X-SUS-SYS COMPONENTS

A38878-

DESCRIPTION

LED (Zhaga Standard) Linear Insert - Hypro 40 Profile Insert - 16.5W - 2700K / 3000K / 3500K / 4000K

GENERAL

Partner: Prolicht

Division: Architectural

Light Distribution: Direct

PHYSICAL

Length (mm): 705

Length (in): 27 ³/₄

Width (mm): 29

Width (in): 1 ¹/₈

Height (mm): 50

Height (in): 1 ¹⁵/₁₆

Weight (kg): 0.64

Weight (lbs): 1.41

Fixture Material: Metal

ELECTRICAL

Input Wattage Range: 10 - 19 W

Lamp Type: LED (Zhaga Standard)

Input Wattage (W): 16.5

Total Output Wattage (W): 15

Dimming: Non-Dimmable / 0-10V Dimming

Driver Included: Yes

Driver Location: Integrated

Driver Type: Constant Current - 120Vac

Driver Class: Class 2

Input Voltage (V): 120

Constant Current (mA): 350

LED

Delivered Lumen Range: 1000 - 1999 lm

Color Temperature (°K): 2700 / 3000 / 3500 / 4000

Max. Delivered Lumen (lm): 1400 / 1490 / 1529 / 1560

Nominal Lumen (lm): 2250 / 2400 / 2450 / 2500

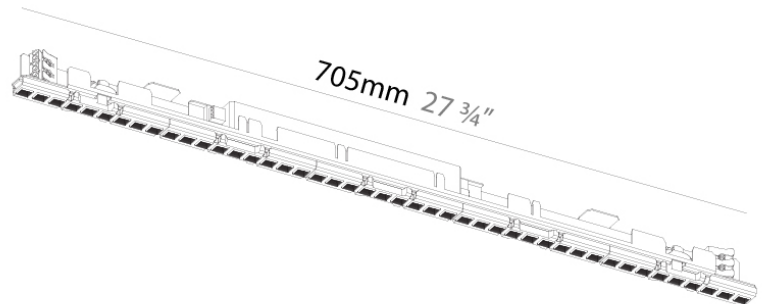
CRI: >80 CRI

Lamp Life (hrs): 50000

RATINGS AND CERTIFICATIONS

Certified By: Certified for North American Standards

IP rating: IP20



PROJECT
TYPE
NOTES
QUANTITY
DATE

A3HY40X-SUS-SYS COMPONENTS

A38879-

DESCRIPTION

LED (Zhaga Standard) Linear Insert - Hypro 40 Profile Insert - 35.6W LED (Zhaga Standard) - 2700K / 3000K / 3500K / 4000K

GENERAL

Partner: Prolight
 Division: Architectural
 Light Distribution: Direct

PHYSICAL

Length (mm): 1408
 Length (in): 55 ⁷/₁₆
 Width (mm): 29
 Width (in): 1 ¹/₈
 Height (mm): 50
 Height (in): 1 ¹⁵/₁₆
 Weight (kg): 1.136
 Weight (lbs): 2.5
 Fixture Material: Metal

ELECTRICAL

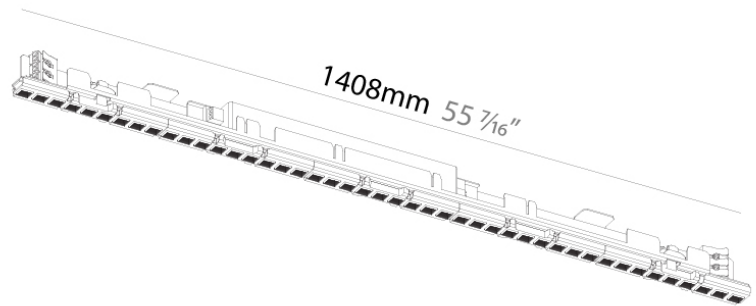
Input Wattage Range: 30 - 49 W
 Lamp Type: LED (Zhaga Standard)
 Input Wattage (W): 35.6
 Total Output Wattage (W): 30
 Dimming: Non-Dimmable / 0-10V Dimming
 Driver Included: Yes
 Driver Location: Integrated
 Driver Type: Constant Current - 120Vac
 Driver Class: Class 1 and Class 2
 Input Voltage (V): 120
 Constant Current (mA): 350

LED

Delivered Lumen Range: 2000 - 3999 lm
 Color Temperature (°K): 2700 / 3000 / 3500 / 4000
 Max. Delivered Lumen (lm): 2800 / 2990 / 3048 / 3110
 Nominal Lumen (lm): 4500 / 4800 / 4900 / 5000
 CRI: >80 CRI
 Lamp Life (hrs): 50000

RATINGS AND CERTIFICATIONS

Certified By: Certified for North American Standards
 IP rating: IP20



PROJECT
TYPE
NOTES
QUANTITY
DATE

A3HY40X-SUS-SYS COMPONENTS

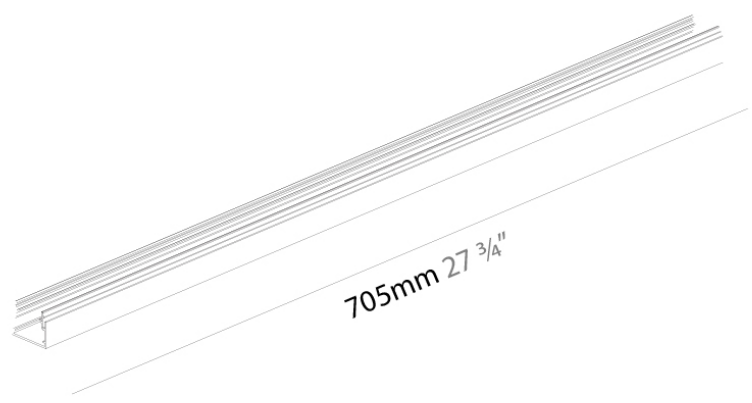
A38880

DESCRIPTION
Idaho 40 / Hypro 40 - System - 705mm Opal Diffuser

GENERAL
Partner: Prolicht
Division: Architectural

PHYSICAL
Shape: Rectangle
Length (mm): 705
Length (in): 27 3/4
Width (mm): 35
Width (in): 1 3/8
Height (mm): 28
Height (in): 1 1/8
Weight (kg): 0.138
Weight (lbs): 0.3
Diffuser: PMMA - Opal

RATINGS AND CERTIFICATIONS
Certified By: Certified for North American Standards
IP rating: IP20



PROJECT
TYPE
NOTES
QUANTITY
DATE

A3HY40X-SUS-SYS COMPONENTS

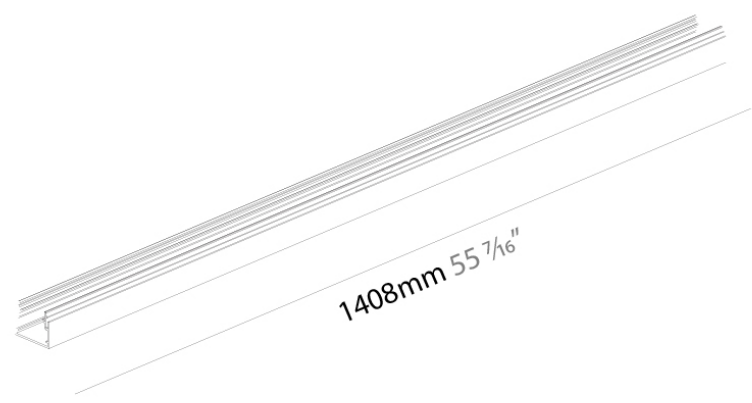
A38881

DESCRIPTION
Idaho / Hypro 40 System - 1408mm Opal Diffuser

GENERAL
Partner: Prolicht
Division: Architectural

PHYSICAL
Shape: Rectangle
Length (mm): 1408
Length (in): 55 ⁷/₁₆
Width (mm): 35
Width (in): 1 ³/₈
Height (mm): 28
Height (in): 1 ³/₈
Weight (kg): 0.276
Weight (lbs): 0.61

RATINGS AND CERTIFICATIONS
Certified By: Certified for North American Standards
IP rating: IP20



A

PROJECT
TYPE
NOTES
QUANTITY
DATE

A3HY40X-SUS-SYS COMPONENTS

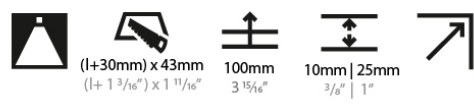
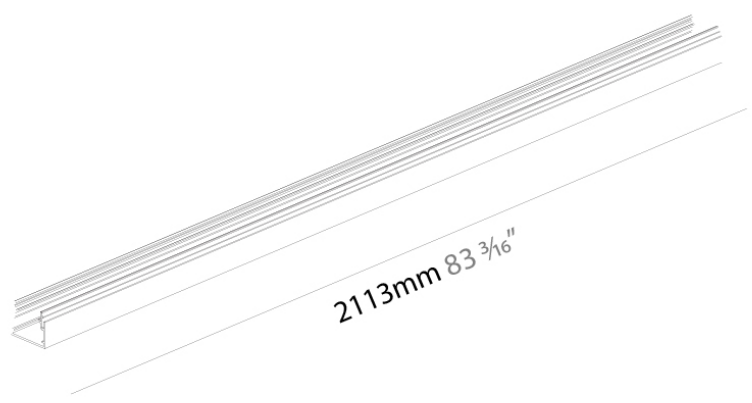
A38882

DESCRIPTION
Idaho 40 / Hypro 40 - System - 2113mm Opal Diffuser

GENERAL
Partner: Prolicht
Division: Architectural

PHYSICAL
Shape: Rectangle
Length (mm): 2113
Length (in): 83 ³/₁₆
Width (mm): 35
Width (in): 1 ³/₈
Height (mm): 28
Height (in): 1 ³/₈
Weight (kg): 0.41
Weight (lbs): 0.9

RATINGS AND CERTIFICATIONS
Certified By: Certified for North American Standards
IP rating: IP20



A3HY40X-SUS-SYS COMPONENTS

PROJECT
TYPE
NOTES
QUANTITY
DATE

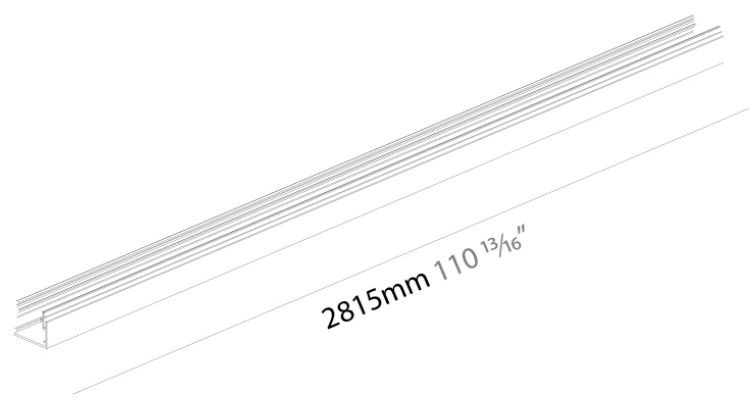
A38883

DESCRIPTION
Idaho 40 / Hypro 40 - System - 2815mm Opal Diffuser

GENERAL
Partner: Prolicht
Division: Architectural

PHYSICAL
Shape: Rectangle
Length (mm): 2815
Length (in): 110 ¹³/₁₆
Width (mm): 35
Width (in): 1 ³/₈
Height (mm): 28
Height (in): 1 ¹/₈
Weight (kg): 0.551
Weight (lbs): 1.215

RATINGS AND CERTIFICATIONS
Certified By: Certified for North American Standards
IP rating: IP20



A3HY40X-SUS-SYS COMPONENTS

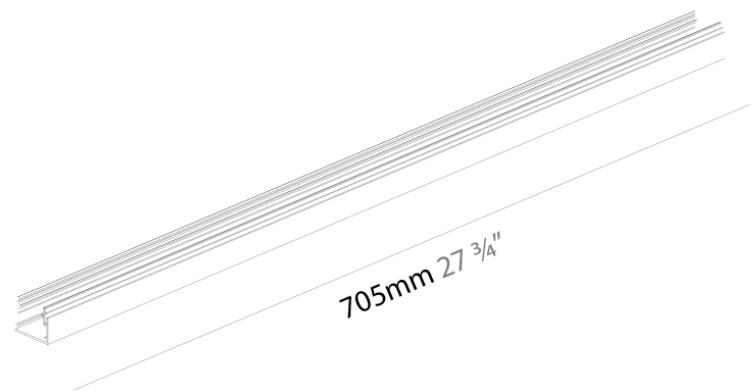
A38884

DESCRIPTION
 Idaho 40 / Hypro 40 - Recessed System - 705mm Micro Prism Diffuser

GENERAL
 Partner: Prolight _____
 Division: Architectural _____

PHYSICAL
 Shape: Rectangle _____
 Length (mm): 705 _____
 Length (in): 27 ³/₄ _____
 Width (mm): 35 _____
 Width (in): 1 ³/₈ _____
 Height (mm): 28 _____
 Height (in): 1 ¹/₈ _____
 Weight (kg): 0.2 _____
 Weight (lbs): 0.44 _____
 Diffuser: PMMA - Micro-Prism _____

RATINGS AND CERTIFICATIONS
 Certified By: Certified for North American Standards _____
 IP rating: IP20 _____



PROJECT
TYPE
NOTES
QUANTITY
DATE

A3HY40X-SUS-SYS COMPONENTS

A38885

DESCRIPTION

Idaho 40 / Hypro 40 - Recessed System - 1408mm Micro Prism Diffuser

GENERAL

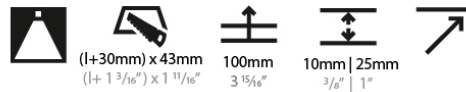
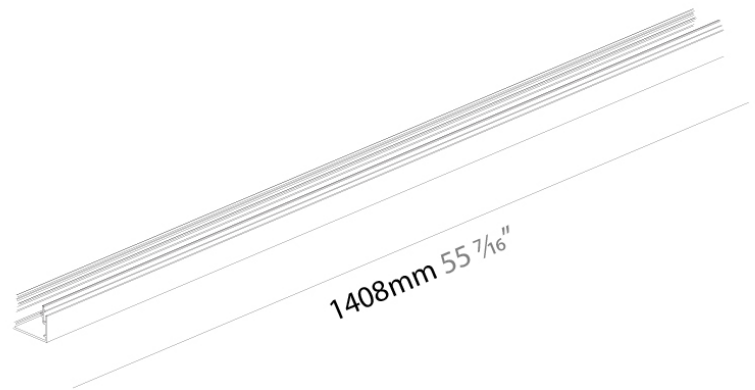
Partner: Prolight
 Division: Architectural

PHYSICAL

Shape: Rectangle
 Length (mm): 1408
 Length (in): 55 ⁷/₁₆
 Width (mm): 35
 Width (in): 1 ³/₈
 Height (mm): 28
 Height (in): 1 ³/₈
 Weight (kg): 0.4
 Weight (lbs): 0.88
 Diffuser: PMMA - Micro-Prism

RATINGS AND CERTIFICATIONS

Certified By: Certified for North American Standards
 IP rating: IP20



PROJECT
TYPE
NOTES
QUANTITY
DATE

A3HY40X-SUS-SYS COMPONENTS

A38886

DESCRIPTION

Idaho 40 / Hypro 40 - Recessed System - 2113mm Micro Prism Diffuser

GENERAL

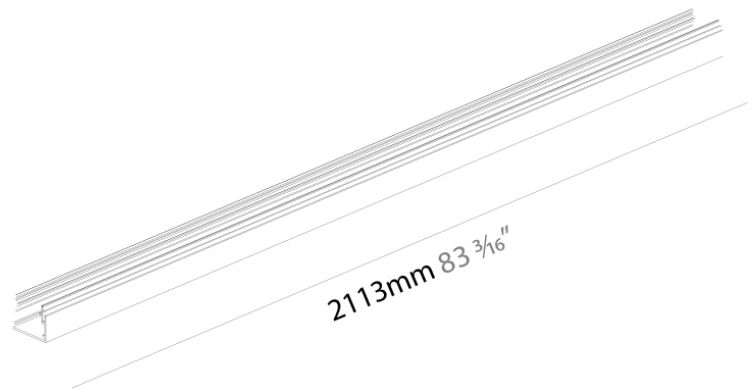
Partner: Prolight
 Division: Architectural

PHYSICAL

Shape: Rectangle
 Length (mm): 2113
 Length (in): 83 ³/₁₆
 Width (mm): 35
 Width (in): 1 ³/₈
 Height (mm): 28
 Height (in): 1 ³/₈
 Weight (kg): 0.599
 Weight (lbs): 1 5/16
 Diffuser: PMMA - Micro-Prism

RATINGS AND CERTIFICATIONS

Certified By: Certified for North American Standards
 IP rating: IP20



A3HY40X-SUS-SYS COMPONENTS

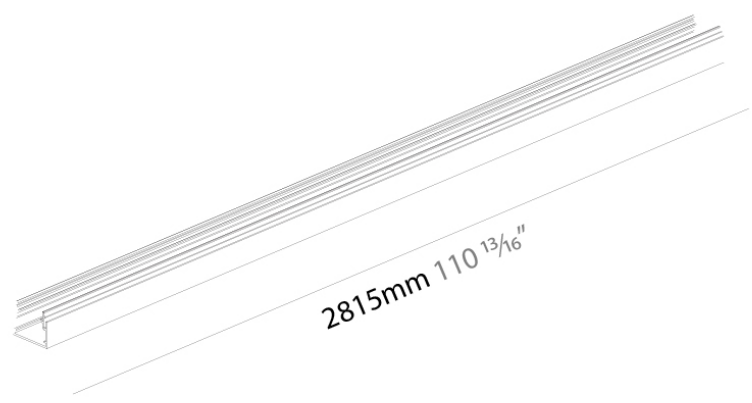
A38887

DESCRIPTION
 Idaho 40 / Hypro 40 - Recessed System - 2815mm Micro Prism Diffuser

GENERAL
 Partner: Prolight _____
 Division: Architectural _____

PHYSICAL
 Length (mm): 2815 _____
 Length (in): 110 ¹³/₁₆ _____
 Width (mm): 35 _____
 Width (in): 1 ³/₈ _____
 Height (mm): 28 _____
 Height (in): 1 ³/₈ _____
 Weight (kg): 0.798 _____
 Weight (lbs): 1.76 _____
 Diffuser: PMMA - Micro-Prism _____

RATINGS AND CERTIFICATIONS
 Certified By: Certified for North American Standards _____
 IP rating: IP20 _____



PROJECT	_____
TYPE	_____
NOTES	_____
QUANTITY	_____
DATE	_____

A3HY40X-SUS-SYS COMPONENTS

A38888

DESCRIPTION

Hypro 40 - Recessed System - Rico Cover - 705mm - Transparent / Black

GENERAL

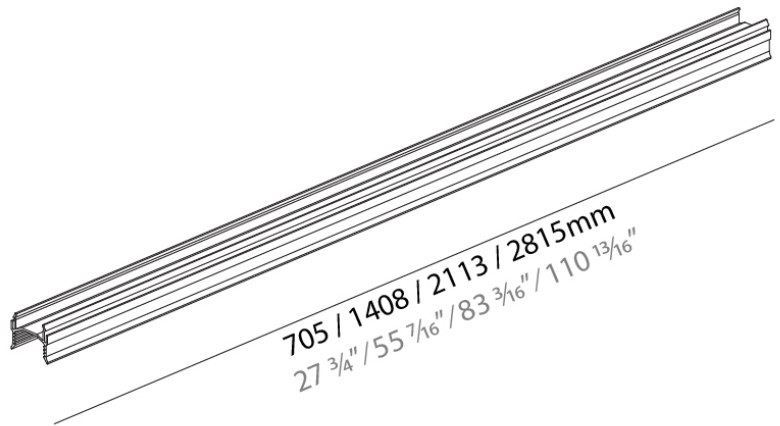
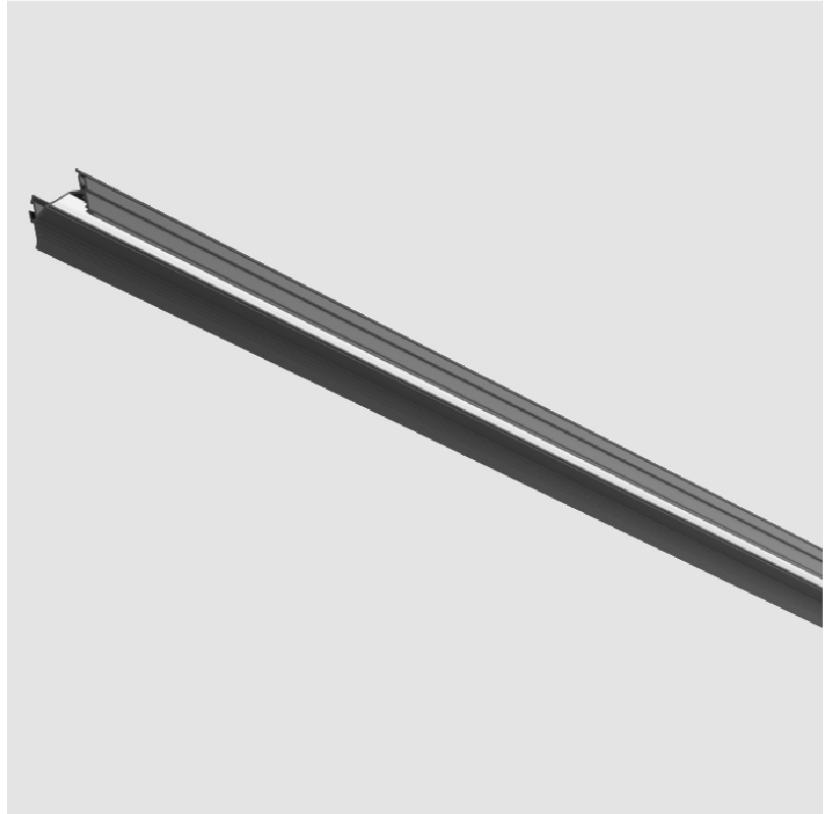
Series: Hypro _____
Subseries: Hypro 40 _____
Partner: Prolicht _____
Division: Architectural _____

PHYSICAL

Shape: Rectangle _____
Length (mm): 705 _____
Length (in): 27 ³/₄ _____
Width (mm): 35 _____
Width (in): 1 ³/₈ _____
Height (mm): 28 _____
Height (in): 1 ¹/₈ _____
Weight (kg): 0.138 _____
Weight (lbs): 0.304 _____
Diffuser: PMMA - Transparent / Black _____

RATINGS AND CERTIFICATIONS

Certified By: Certified for North American Standards _____
IP rating: IP20 _____



PROJECT	_____
TYPE	_____
NOTES	_____
QUANTITY	_____
DATE	_____

A3HY40X-SUS-SYS COMPONENTS

A38889

DESCRIPTION

Idaho 40 / Hypro 40 - Rico LED (Zhaga Standard) Cover - 1408mm - Transparent

GENERAL

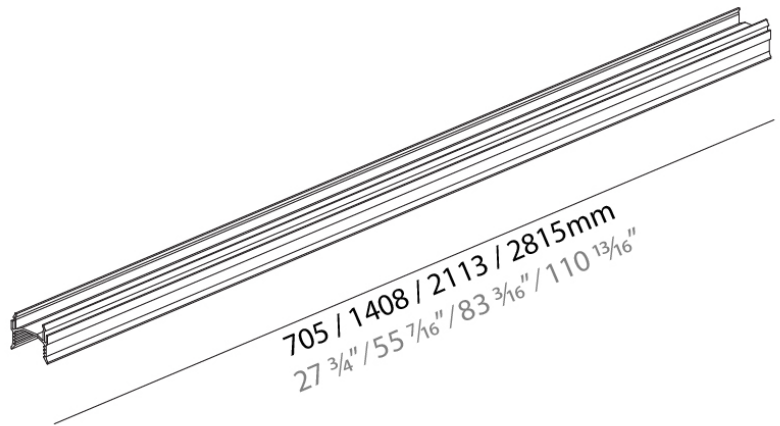
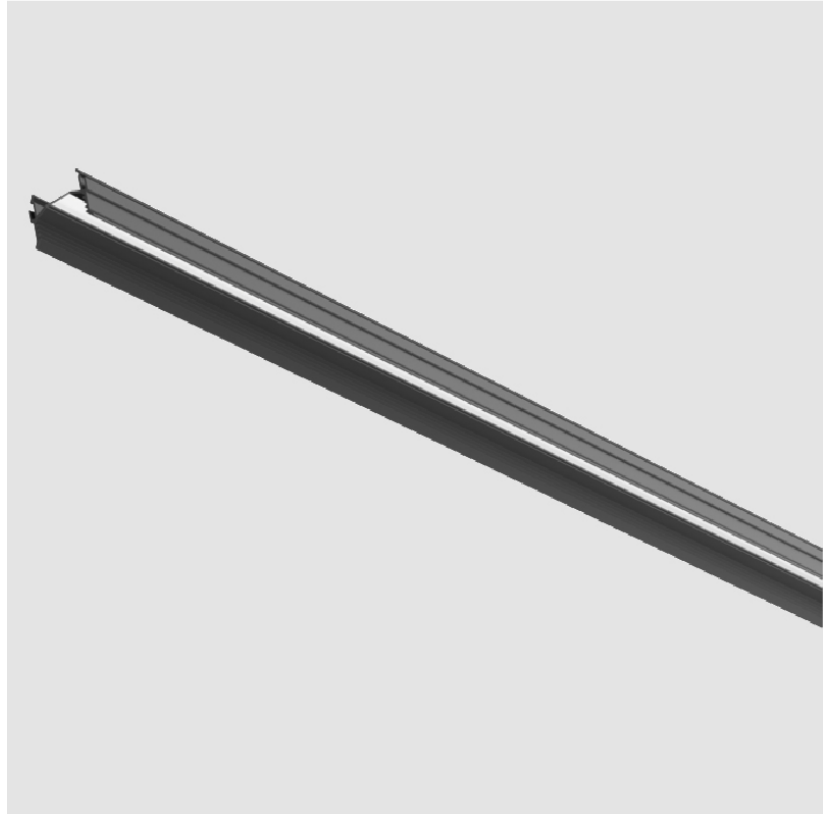
Series: Hypro _____
Subseries: Hypro 40 _____
Partner: Prolicht _____
Division: Architectural _____

PHYSICAL

Shape: Rectangle _____
Length (mm): 1408 _____
Length (in): $55 \frac{7}{16}$ _____
Width (mm): 35 _____
Width (in): $1 \frac{3}{8}$ _____
Height (mm): 28 _____
Height (in): $1 \frac{1}{8}$ _____
Weight (kg): 0.276 _____
Weight (lbs): 0.608 _____
Diffuser: PMMA - Transparent _____

RATINGS AND CERTIFICATIONS

Certified By: Certified for North American Standards _____
IP rating: IP20 _____



A3HY40X-SUS-SYS COMPONENTS

A38890

DESCRIPTION

Idaho 40 / Hypro 40 - Recessed System - 2113mm Clear Cover

GENERAL

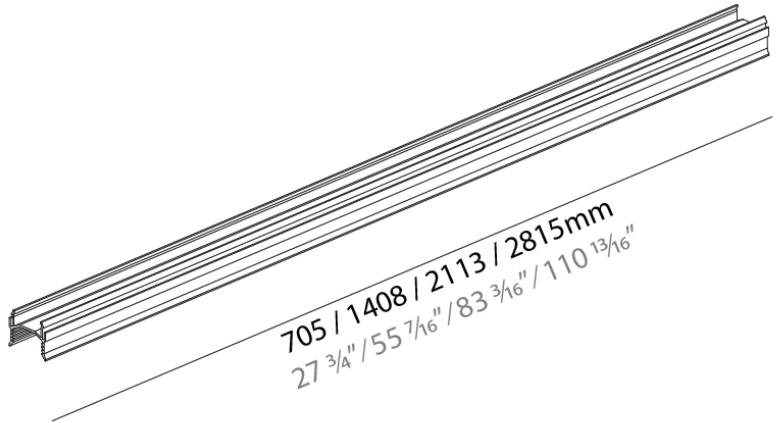
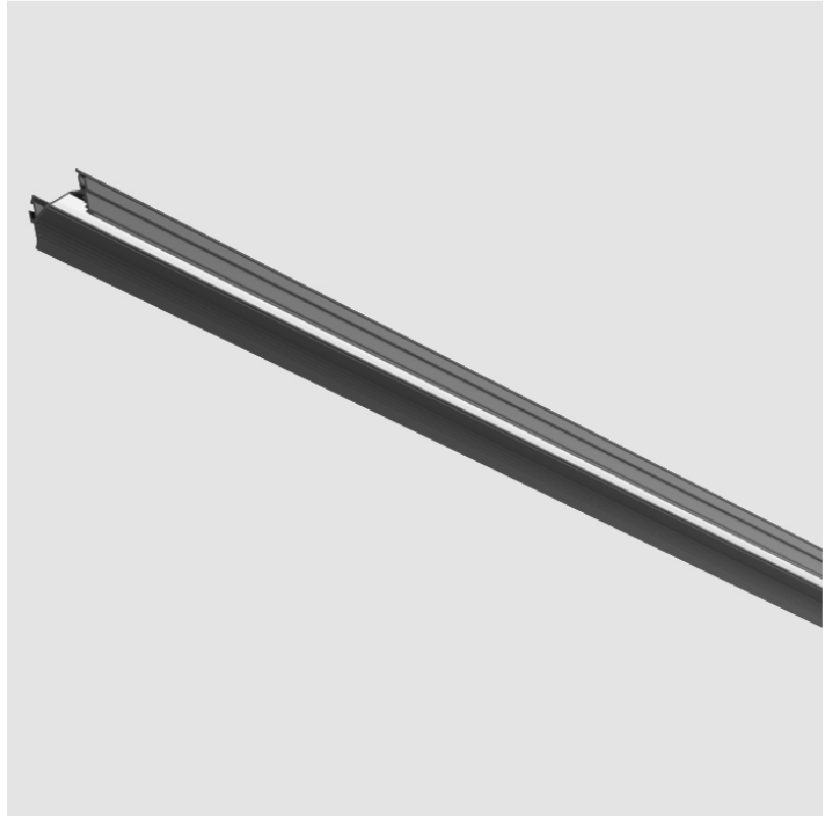
Series: Hypro
Subseries: Hypro 40
Partner: Prolicht
Division: Architectural

PHYSICAL

Shape: Rectangle
Length (mm): 2113
Length (in): $83 \frac{3}{16}$
Width (mm): 35
Width (in): $1 \frac{3}{8}$
Height (mm): 28
Height (in): $1 \frac{1}{8}$
Weight (kg): 0.414
Weight (lbs): 0.913

RATINGS AND CERTIFICATIONS

Certified By: Certified for North American Standards
IP rating: IP20



PROJECT	_____
TYPE	_____
NOTES	_____
QUANTITY	_____
DATE	_____

A3HY40X-SUS-SYS COMPONENTS

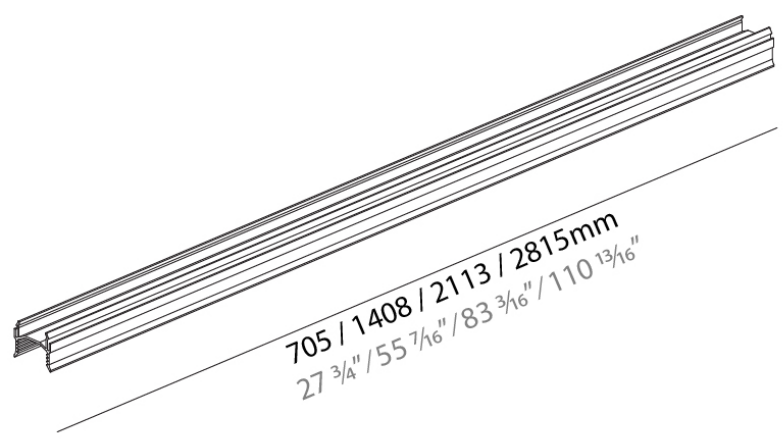
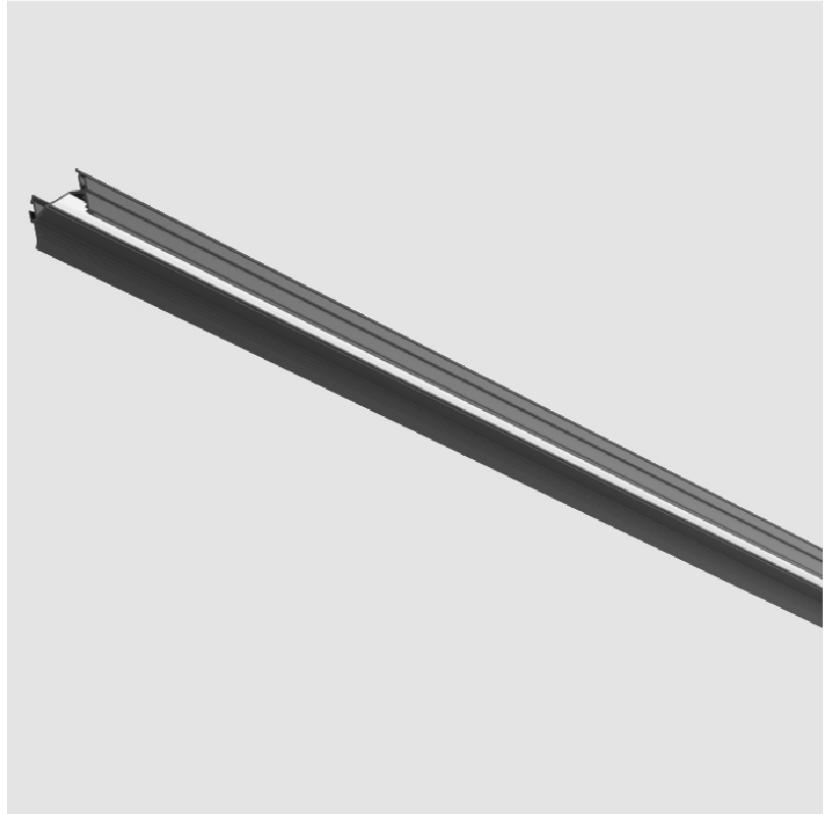
A38891

DESCRIPTION
Idaho 40 / Hypro 40 - Recessed System - 2815mm Clear Cover

GENERAL
Series: Hypro
Subseries: Hypro 40
Partner: Prolicht
Division: Architectural

PHYSICAL
Shape: Rectangle
Length (mm): 2815
Length (in): 110 ¹³/₁₆
Width (mm): 35
Width (in): 1 ³/₈
Height (mm): 28
Height (in): 1 ¹/₈
Weight (kg): 0.551
Weight (lbs): 1.215
Diffuser: PMMA - Transparent

RATINGS AND CERTIFICATIONS
Certified By: Certified for North American Standards
IP rating: IP20



PROJECT
TYPE
NOTES
QUANTITY
DATE

A3HY40X-SUS-SYS COMPONENTS

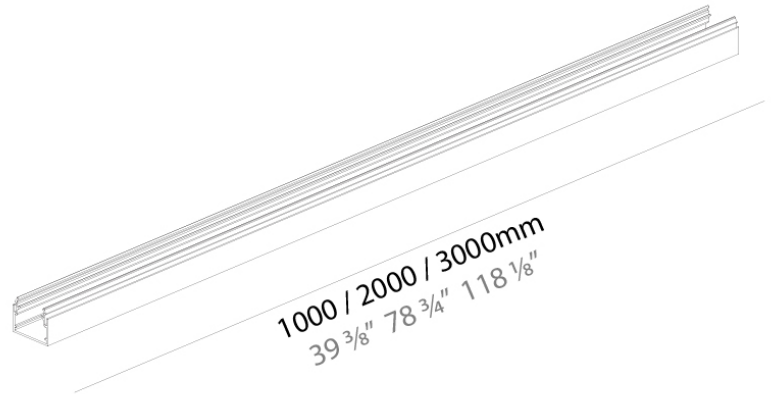
A38892

DESCRIPTION
Idaho / Hypro 40 Recessed System - 1000mm Black Cover

GENERAL
Series: Hypro
Subseries: Hypro 40
Partner: Prolicht
Division: Architectural

PHYSICAL
Shape: Rectangle
Length (mm): 1000
Length (in): 39 3/8
Width (mm): 35
Width (in): 1 3/8
Height (mm): 28
Height (in): 1 1/8
Weight (kg): 0.194
Weight (lbs): 0.428
Fixture Material: Aluminum

RATINGS AND CERTIFICATIONS
Certified By: Certified for North American Standards
IP rating: IP20



A3HY40X-SUS-SYS COMPONENTS

A38893

DESCRIPTION

Idaho / Hypro 40 Recessed System - 2000mm Black Cover

GENERAL

Series: Hypro

Subseries: Hypro 40

Partner: Prolicht

Division: Architectural

PHYSICAL

Shape: Rectangle

Length (mm): 2000

Length (in): 78 ³/₄

Width (mm): 35

Width (in): 1 ³/₈

Height (mm): 28

Height (in): 1 ¹/₈

Weight (kg): 0.392

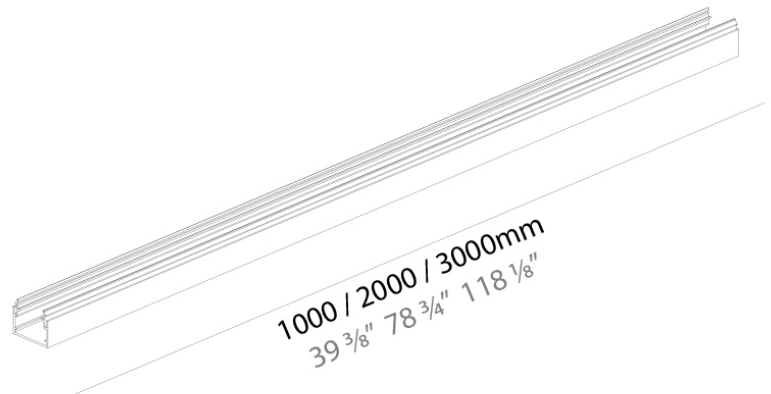
Weight (lbs): 0.86

Fixture Material: Aluminum

RATINGS AND CERTIFICATIONS

Certified By: Certified for North American Standards

IP rating: IP20



A3HY40X-SUS-SYS COMPONENTS

A38894

DESCRIPTION

Idaho / Hypro 40 Recessed System - 3000mm Black Cover

GENERAL

Series: Hypro

Subseries: Hypro 40

Partner: Prolicht

Division: Architectural

PHYSICAL

Shape: Rectangle

Length (mm): 3000

Length (in): 118 ¹/₈

Width (mm): 35

Width (in): 1 ³/₈

Height (mm): 28

Height (in): 1 ¹/₈

Weight (kg): 0.588

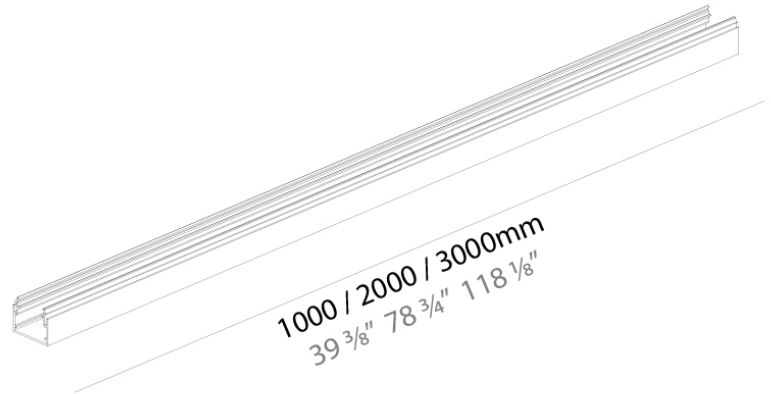
Weight (lbs): 1.3

Fixture Material: Aluminum

RATINGS AND CERTIFICATIONS

Certified By: Certified for North American Standards

IP rating: IP20



A3HY40X-SUS-SYS COMPONENTS RECESSED

A38895-

DESCRIPTION

Idaho 40 / Hypro 40 - Recessed System - Korona Aluminium Profile per meter - Max 3000mm / 118 1/8"

GENERAL

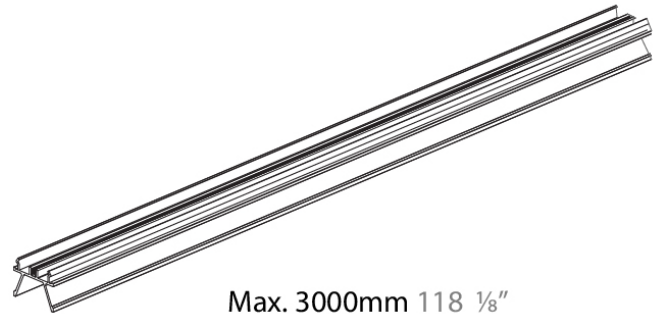
Series: Hypro
Subseries: Hypro 40
Partner: Prolicht
Division: Architectural
Installation: Recessed
Product Type: Linear Profiles
Mounting Location: Ceiling

PHYSICAL

Shape: Rectangle
Length (mm): Max. 3000
Length (in): 118 1/8
Width (mm): 35.2
Width (in): 1 3/8
Height (mm): 27.4
Height (in): 1 1/16
Weight (kg): 0.237
Weight (lbs): 0.52
Fixture Finish: ANA / SSR / BKV / CWI / CRY / HAB / MSR / UFT / ITA / RUA / OGR / FTG / MYG / RWR / LOD / PUS / FRO / FUP / KIA / POP / BLS / SPG / MEY / GOH / CHC / COM / ABZ / JAG / OBR / MOS / ROR
Fixture Material: Aluminum

RATINGS AND CERTIFICATIONS

Certified By: Certified for North American Standards
IP rating: IP20



PROJECT	
TYPE	
NOTES	
QUANTITY	
DATE	

A3HY40X-SUS-SYS COMPONENTS

A38896-

DESCRIPTION
 Idaho 40 / Hypro 40 - Recessed System - End Plate Corona - 1 pair

GENERAL

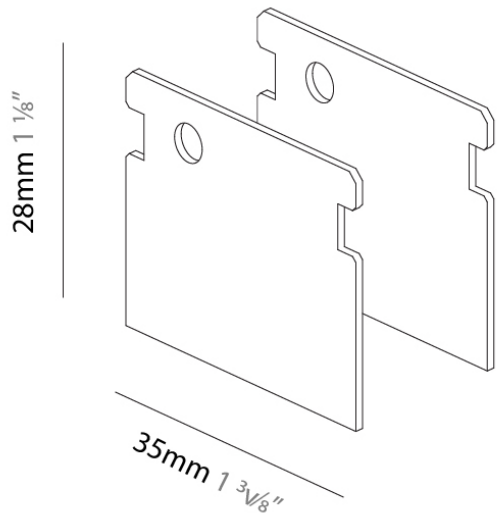
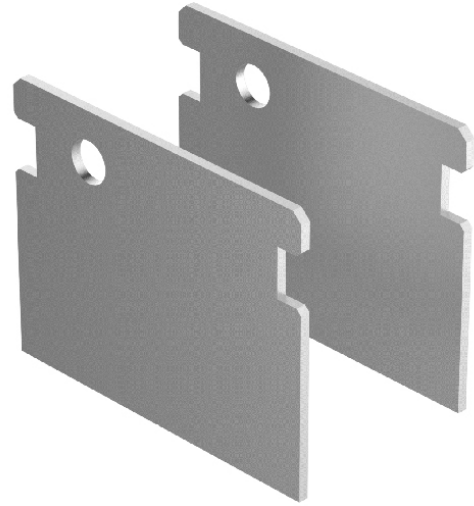
Series: Hypro
 Subseries: Hypro 40
 Partner: Prolicht
 Division: Architectural

PHYSICAL

Shape: Rectangle
 Length (mm): 1
 Length (in): 1/16
 Width (mm): 35
 Width (in): 1 3/8
 Height (mm): 28
 Height (in): 1 1/8
 Weight (kg): 0.015
 Weight (lbs): 0.033
 Fixture Finish: SSR / BKV / CWI / CRY / HAB / UFT / ITA / RUA / FTG / MYG / LOD / PUS / FRO / FUP / KIA / POP / BLS / SPG / MEY / GOH / CHC / COM / ABZ / JAG / OBR / MOS / ROR
 Fixture Material: Aluminum

RATINGS AND CERTIFICATIONS

Certified By: Certified for North American Standards
 IP rating: IP20



PROJECT	
TYPE	
NOTES	
QUANTITY	
DATE	

A3HY40X-SUS-SYS COMPONENTS RECESSED

A38897-

DESCRIPTION

Centriq 29 - Hypro 40/Hypro-X 40 Profile Insert - 4.4W LED
(Zhaga Standard) - 2700K / 3000K / 3500K / 4000K - Lens - Optics
24° / 32°

GENERAL

Series: Centriq
Partner: Prolicht
Division: Architectural
Installation: Recessed
Product Type: Linear Profiles
Mounting Location: Ceiling
Light Distribution: Adjustable / Direct

PHYSICAL

Shape: Cylinder
Diameter (mm): 29
Diameter (in): 1 1/8
Length (mm): 500
Length (in): 19 11/16
Height (mm): 74
Height (in): 2 15/16
Weight (kg): 0.554
Weight (lbs): 1.22
Fixture Finish: SSR / BKV / CWI / CRY / HAB / UFT / ITA / RUA / FTG / MYG / LOD / PUS / FRO / FUP / KIA / POP / BLS / SPG / MEY / GOH / CHC / COM / ABZ / JAG / OBR / MOS / ROR
Fixture Material: Aluminum

ELECTRICAL

Input Wattage Range: 1 - 9 W
Lamp Type: LED (Zhaga Standard)
Input Wattage (W): 4.4
Total Output Wattage (W): 4.29
Dimming: Non-Dimmable / 0-10V Dimming
Driver Included: Yes
Driver Location: Integrated
Driver Type: Constant Current - 120Vac
Driver Class: Class 2
Input Voltage (V): 120
Constant Current (mA): 350

LED

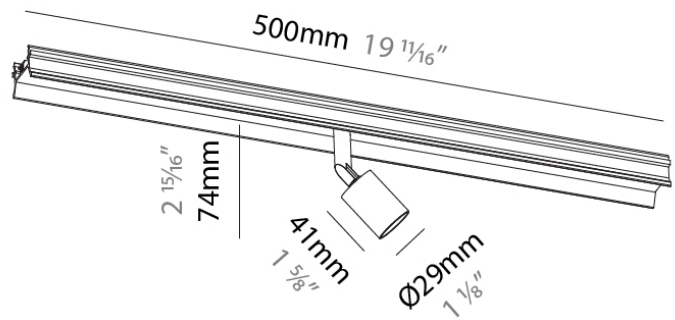
Delivered Lumen Range: 100 - 499 lm
Number of LEDs: 1
Color Temperature (°K): 2700 / 3000 / 3500 / 4000
Max. Delivered Lumen (lm): 236 / 249 / 265 / 270
Nominal Lumen (lm): 340 / 360 / 382 / 390
CRI: >90 CRI
Lamp Life (hrs): 50000

OPTICAL

Optic: 24 / 32
Adjustability: Rotational 360°; Tilt 90°

RATINGS AND CERTIFICATIONS

Certified By: Certified for North American Standards
IP rating: IP20



PROJECT	
TYPE	
NOTES	
QUANTITY	
DATE	

A3HY40X-SUS-SYS COMPONENTS RECESSED

A38898-

DESCRIPTION

Centriq 40 - Hypro 40 Profile Insert - 6.6W LED (Zhaga Standard)
- 2700K / 3000K / 35000K / 4000K - Beam: 10°

GENERAL

Series: Centriq
Partner: Prolicht
Division: Architectural
Installation: Recessed
Product Type: Spots
Mounting Location: Ceiling
Light Distribution: Adjustable / Direct

PHYSICAL

Aperture Sizes - Downlights: 1"
Shape: Cylinder
Diameter (mm): 40
Diameter (in): 1 ⁹/₁₆"
Length (mm): 500
Length (in): 19 ¹¹/₁₆"
Height (mm): 86
Height (in): 3 ³/₈"
Weight (kg): 0.608
Weight (lbs): 0.68
Fixture Finish: SSR / BKV / CWI / CRY / HAB / UFT / ITA / RUA / FTG / MYG / LOD / PUS / FRO / FUP / KIA / POP / BLS / SPG / MEY / GOH / CHC / COM / ABZ / JAG / OBR / MOS / ROR
Fixture Material: Aluminum

ELECTRICAL

Input Wattage Range: 1 - 9 W
Lamp Type: LED (Zhaga Standard)
Input Wattage (W): 6.6
Total Output Wattage (W): 6.3
Dimming: Non-Dimmable / 0-10V Dimming
Driver Included: Yes
Driver Location: Integrated
Driver Type: Constant Current - 120Vac
Driver Class: Class 2
Input Voltage (V): 120
Constant Current (MA): 500

LED

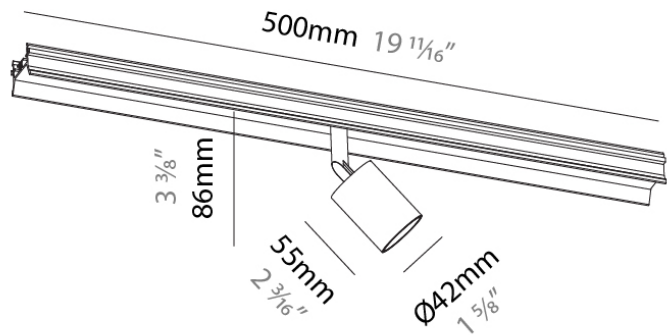
Delivered Lumen Range: 100 - 499 lm
Number of LEDs: 1
Color Temperature (°K): 2700 / 3000 / 3500 / 4000
Max. Delivered Lumen (lm): 350 / 380 / 392 / 400
Nominal Lumen (lm): 448 / 483 / 504 / 514
CRI: >90 CRI
Lamp Life (hrs): 50000

OPTICAL

Beam Angle: 10

RATINGS AND CERTIFICATIONS

Certified By: Certified for North American Standards
IP rating: IP20



PROJECT	
TYPE	
NOTES	
QUANTITY	
DATE	

A3HY40X-SUS-SYS COMPONENTS RECESSED

A38899-

DESCRIPTION

Centriq 42 - Hypro 40/Hypro-X 40 Profile Insert - 6.6W LED (Zhaga Standard) - 2700K / 3000K / 3500K / 4000K - Reflectors 20° / 31° / 36° / 40° / 50°

GENERAL

Series: Centriq
 Partner: Prolicht
 Division: Architectural
 Installation: Recessed
 Product Type: Spots
 Mounting Location: Ceiling
 Light Distribution: Adjustable / Direct

PHYSICAL

Shape: Rectangle
 Diameter (mm): 42
 Diameter (in): 1 ⁵/₈
 Length (mm): 500
 Length (in): 19 ¹¹/₁₆
 Height (mm): 86
 Height (in): 3 ³/₈
 Weight (kg): 0.615
 Weight (lbs): 1.36
 Fixture Finish: SSR / BKV / CWI / CRY / HAB / UFT / ITA / RUA / FTG / MYG / LOD / PUS / FRO / FUP / KIA / POP / BLS / SPG / MEY / GOH / CHC / COM / ABZ / JAG / OBR / MOS / ROR
 Fixture Material: Aluminum

ELECTRICAL

Input Wattage Range: 1 - 9 W
 Lamp Type: LED (Zhaga Standard)
 Input Wattage (W): 6.6
 Total Output Wattage (W): 6.27
 Dimming: Non-Dimmable / 0-10V Dimming
 Driver Included: Yes
 Driver Location: Integrated
 Driver Type: Constant Current - 120Vac
 Driver Class: Class 2
 Input Voltage (V): 120
 Constant Current (mA): 350

LED

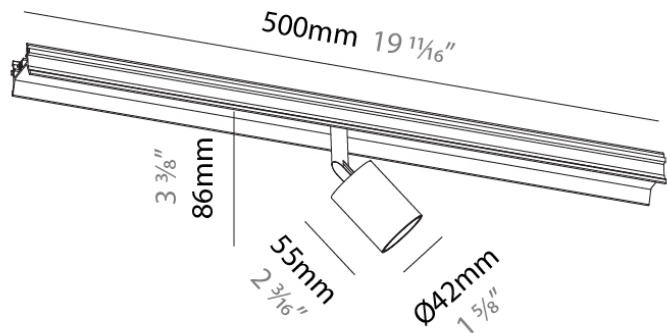
Number of LEDs: 1
 Color Temperature (°K): 2700 / 3000 / 3500 / 4000
 Max. Delivered Lumen (lm): 490 / 520 / 520 / 520
 Nominal Lumen (lm): 732 / 769 / 780 / 780
 CRI: >90 CRI
 Lamp Life (hrs): 50000

OPTICAL

Reflector°: 20 / 31 / 36 / 40 / 50
 Adjustability: Rotational 360°; Tilt 90°

RATINGS AND CERTIFICATIONS

Certified By: Certified for North American Standards
 IP rating: IP20



PROJECT	
TYPE	
NOTES	
QUANTITY	
DATE	

A3HY40X-SUS-SYS COMPONENTS RECESSED

A38900-

DESCRIPTION

Centriq 56 - Hypro-X 40 Profile Insert - 9.3W LED (Zhaga Standard) - 2700K / 3000K / 3500K / 4000K - Beam: 9°

GENERAL

Series: Centriq
 Partner: Prolicht
 Division: Architectural
 Installation: Recessed
 Product Type: Spots
 Mounting Location: Ceiling
 Light Distribution: Adjustable / Direct

PHYSICAL

Aperture Sizes - Downlights: 2"
 Shape: Cylinder
 Diameter (mm): 56
 Diameter (in): 2 ³/₁₆"
 Length (mm): 500
 Length (in): 19 ¹¹/₁₆"
 Height (mm): 112
 Height (in): 4 ⁷/₁₆"
 Weight (kg): 1.03
 Weight (lbs): 2.27
 Fixture Finish: SSR / BKV / CWI / CRY / HAB / UFT / ITA / RUA / FTG / MYG / LOD / PUS / FRO / FUP / KIA / POP / BLS / SPG / MEY / GOH / CHC / COM / ABZ / JAG / OBR / MOS / ROR
 Fixture Material: Aluminum

ELECTRICAL

Input Wattage Range: 1 - 9 W
 Lamp Type: LED (Zhaga Standard)
 Input Wattage (W): 9.3
 Total Output Wattage (W): 8.4
 Dimming: Non-Dimmable / 0-10V Dimming
 Driver Included: Yes
 Driver Location: Integrated
 Driver Type: Constant Current - 120Vac
 Driver Class: Class 2
 Input Voltage (V): 120
 Constant Current (mA): 700

LED

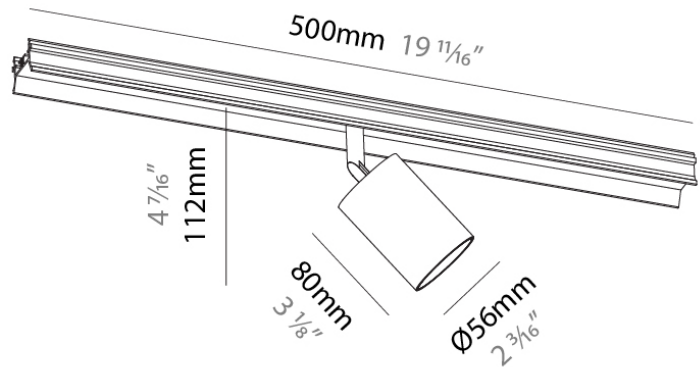
Delivered Lumen Range: 500 - 999 lm
 Number of LEDs: 1
 Color Temperature (°K): 2700 / 3000 / 3500 / 4000
 Max. Delivered Lumen (lm): 482 / 502 / 542 / 553
 Nominal Lumen (lm): 598 / 623 / 672 / 686
 CRI: >90 CRI
 Lamp Life (hrs): 50000

OPTICAL

Beam Angle: 9
 Adjustability: Rotational 360°; Tilt 90°

RATINGS AND CERTIFICATIONS

Certified By: Certified for North American Standards
 IP rating: IP20



PROJECT
TYPE
NOTES
QUANTITY
DATE

A3HY40X-SUS-SYS COMPONENTS

A38902-

DESCRIPTION

Centriq Double - Spot Insert 29mm for HYPRO-X 40 Profile Insert
 - 9W LED (Zhaga Standard) - 2700K / 3000K / 3500K / 4000K -
 Lens - Optics 24° / 32°

GENERAL

Series: Centriq
 Partner: Prolicht
 Division: Architectural
 Product Type: Spots
 Light Distribution: Adjustable / Direct

PHYSICAL

Aperture Sizes - Downlights: 1"
 Shape: Cylinder
 Diameter (mm): 29
 Diameter (in): 1 15/16
 Length (mm): 500
 Length (in): 19 11/16
 Height (mm): 74
 Height (in): 2 15/16
 Weight (kg): 0.634
 Weight (lbs): 1.4
 Fixture Finish: SSR / BKV / CWI / CRY / HAB / UFT / ITA / RUA / FTG / MYG / LOD / PUS / FRO / FUP / KIA / POP / BLS / SPG / MEY / GOH / CHC / COM / ABZ / JAG / OBR / MOS / ROR
 Fixture Material: Aluminum

ELECTRICAL

Input Wattage Range: 1 - 9 W
 Lamp Type: LED (Zhaga Standard)
 Input Wattage (W): 8.9
 Total Output Wattage (W): 8
 Dimming: Non-Dimmable / 0-10V Dimming
 Driver Included: Yes
 Driver Location: Integrated
 Driver Type: Constant Current - 120Vac
 Driver Class: Class 2
 Input Voltage (V): 120
 Constant Current (mA): 350

LED

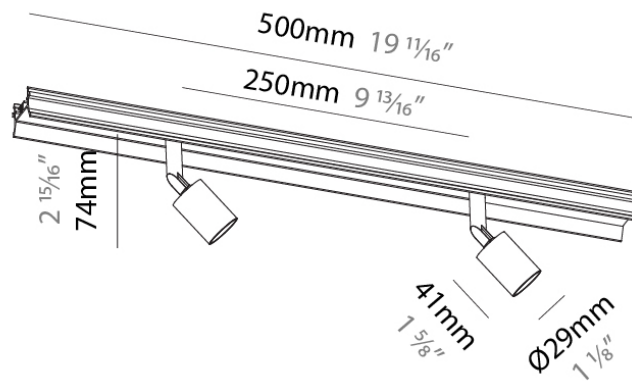
Delivered Lumen Range: 500 - 999 lm
 Number of LEDs: 2
 Color Temperature (°K): 2700 / 3000 / 3500 / 4000
 Max. Delivered Lumen (lm): 527 / 558 / 593 / 605
 Nominal Lumen (lm): 688 / 720 / 768 / 784
 CRI: >90 CRI
 Lamp Life (hrs): 50000

OPTICAL

Optic°: 24 / 32
 Adjustability: Rotational 360°; Tilt 90°

RATINGS AND CERTIFICATIONS

Certified By: Certified for North American Standards
 IP rating: IP20



PROJECT	
TYPE	
NOTES	
QUANTITY	
DATE	

A3HY40X-SUS-SYS COMPONENTS RECESSED

A38903-

DESCRIPTION

Centriq Double - Spot Insert 42mm / 1 5/8" for HYPRO-X 40 Recessed - 13W LED (Zhaga Standard) - 2700K / 3000K / 3500K / 4000K - Reflector: 11°

GENERAL

Series: Centriq
 Partner: Prolicht
 Division: Architectural
 Installation: Recessed
 Product Type: Spots
 Mounting Location: Ceiling
 Light Distribution: Adjustable / Direct

PHYSICAL

Aperture Sizes - Downlights: 1"
 Shape: Cylinder
 Diameter (mm): 42
 Diameter (in): 1 5/8
 Length (mm): 500
 Length (in): 19 11/16
 Height (mm): 86
 Height (in): 3 3/8
 Weight (kg): 0.742
 Weight (lbs): 1.64
 Fixture Finish: SSR / BKV / CWI / CRY / HAB / UFT / ITA / RUA / FTG / MYG / LOD / PUS / FRO / FUP / KIA / POP / BLS / SPG / MEY / GOH / CHC / COM / ABZ / JAG / OBR / MOS / ROR
 Fixture Material: Aluminum

ELECTRICAL

Input Wattage Range: 10 - 19 W
 Lamp Type: LED (Zhaga Standard)
 Input Wattage (W): 13
 Total Output Wattage (W): 11.7
 Dimming: Non-Dimmable / 0-10V Dimming
 Driver Included: Yes
 Driver Location: Integrated
 Driver Type: Constant Current - 120Vac
 Driver Class: Class 2
 Input Voltage (V): 120
 Constant Current (MA): 500

LED

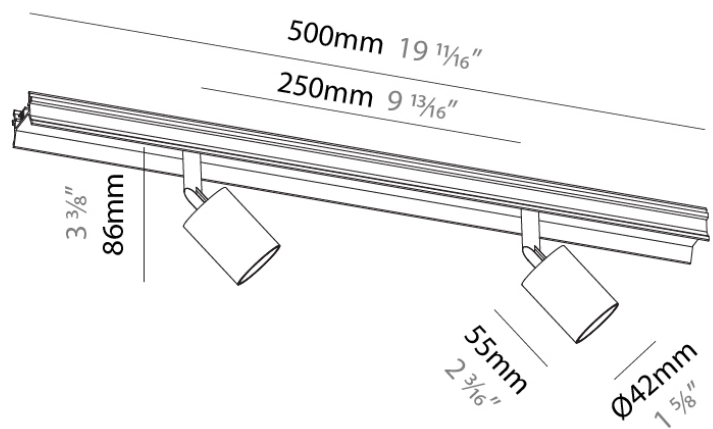
Delivered Lumen Range: 500 - 1999 lm
 Number of LEDs: 2
 Color Temperature (°K): 2700 / 3000 / 3500 / 4000
 Max. Delivered Lumen (lm): 756 / 800 / 850 / 867
 Nominal Lumen (lm): 921 / 974 / 1035 / 1056
 CRI: >90 CRI
 Lamp Life (hrs): 50000

OPTICAL

Beam Angle: 12
 Adjustability: Rotational 360°; Tilt 90°

RATINGS AND CERTIFICATIONS

Certified By: Certified for North American Standards
 IP rating: IP20



A3HY40X-SUS-SYS COMPONENTS RECESSED

A38904-

DESCRIPTION

Centriq Double - Spot Insert 42mm / 1 5/8" for HYPRO-X 40
Recessed - 14W LED (Zhaga Standard) - 2700K / 3000K / 3500K /
4000K - Reflector: 20° / 31° / 36° / 40° / 50°

GENERAL

Series: Centriq
Partner: Prolicht
Division: Architectural
Installation: Recessed
Product Type: Spots
Mounting Location: Ceiling
Light Distribution: Adjustable / Direct

PHYSICAL

Aperture Sizes - Downlights: 1"
Shape: Cylinder
Diameter (mm): 42
Diameter (in): 1 5/8
Length (mm): 500
Length (in): 19 11/16
Height (mm): 86
Height (in): 3 3/8
Weight (kg): 0.756
Weight (lbs): 1.67
Fixture Finish: SSR / BKV / CWI / CRY / HAB / UFT / ITA / RUA / FTG /
MYG / LOD / PUS / FRO / FUP / KIA / POP / BLS / SPG / MEY / GOH /
CHC / COM / ABZ / JAG / OBR / MOS / ROR
Fixture Material: Aluminum

ELECTRICAL

Input Wattage Range: 10 - 19 W
Lamp Type: LED (Zhaga Standard)
Input Wattage (W): 12.7
Total Output Wattage (W): 11.4
Dimming: Non-Dimmable / 0-10V Dimming
Driver Included: Yes
Driver Location: Integrated
Driver Type: Constant Current - 120Vac
Driver Class: Class 2
Input Voltage (V): 120
Constant Current (mA): 350

LED

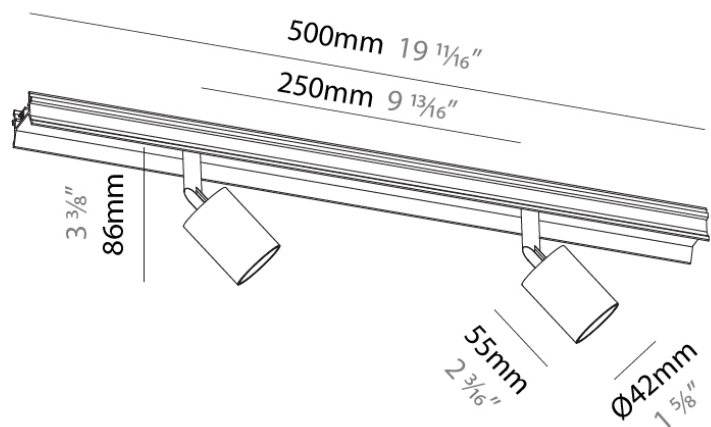
Number of LEDs: 2
Color Temperature (°K): 2700 / 3000 / 3500 / 4000
Max. Delivered Lumen (lm): 960 / 1000 / 1000 / 1020
Nominal Lumen (lm): 1424 / 1496 / 1496 / 1516
CRI: >90 CRI
Lamp Life (hrs): 50000

OPTICAL

Reflector: 20 / 31 / 36 / 40 / 50
Adjustability: Rotational 360°; Tilt 90°

RATINGS AND CERTIFICATIONS

Certified By: Certified for North American Standards
IP rating: IP20



PROJECT	
TYPE	
NOTES	
QUANTITY	
DATE	

A3HY40X-SUS-SYS COMPONENTS

A38905-

DESCRIPTION

Centriq Double - Spot Insert 56mm / 2 3/16" for HYPRO-X 40 Recessed -19W LED (Zhaga Standard) - 2700K / 3000K / 3500K / 4000K - Reflector: 11°

GENERAL

Series: Centriq
 Partner: Prolicht
 Division: Architectural
 Product Type: Spots
 Light Distribution: Adjustable / Direct

PHYSICAL

Aperture Sizes - Downlights: 2"
 Shape: Cylinder
 Diameter (mm): 56
 Diameter (in): 2 3/16
 Length (mm): 500
 Length (in): 19 1/16
 Height (mm): 112
 Height (in): 4 7/16
 Weight (kg): 1.587
 Weight (lbs): 3.5
 Fixture Finish: SSR / BKV / CWI / CRY / HAB / UFT / ITA / RUA / FTG / MYG / LOD / PUS / FRO / FUP / KIA / POP / BLS / SPG / MEY / GOH / CHC / COM / ABZ / JAG / OBR / MOS / ROR
 Fixture Material: Aluminum

ELECTRICAL

Input Wattage Range: 10 - 19 W
 Lamp Type: LED (Zhaga Standard)
 Input Wattage (W): 19
 Total Output Wattage (W): 16.6
 Dimming: Non-Dimmable / 0-10V Dimming
 Driver Included: Yes
 Driver Location: Integrated
 Driver Type: Constant Current - 120Vac
 Driver Class: Class 2
 Input Voltage (V): 120
 Constant Current (MA): 700

LED

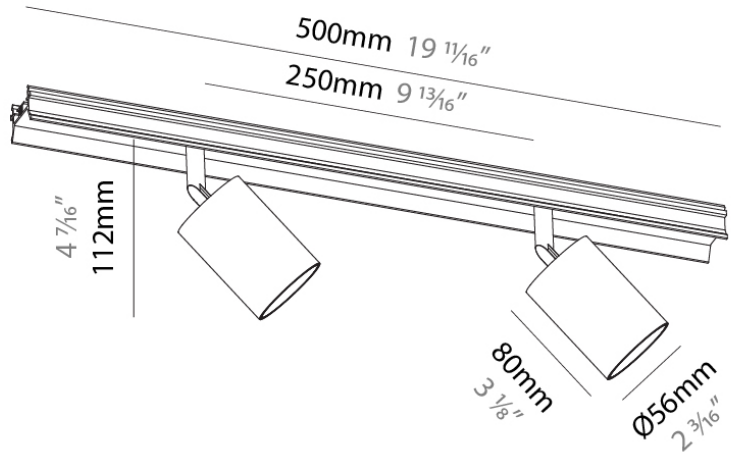
Number of LEDs: 2
 Color Temperature (°K): 2700 / 3000 / 3500 / 4000
 Max. Delivered Lumen (lm): 963 / 1004 / 1083 / 1105
 Nominal Lumen (lm): 1251 / 1320 / 1397 / 1428
 CRI: >90 CRI
 Lamp Life (hrs): 50000

OPTICAL

Beam Angle: 9
 Adjustability: Rotational 360°; Tilt 90°

RATINGS AND CERTIFICATIONS

Certified By: Certified for North American Standards
 IP rating: IP20



PROJECT
TYPE
NOTES
QUANTITY
DATE

A3HY40X-SUS-SYS COMPONENTS

A38906-

DESCRIPTION

Centriq Double - Spot Insert 56mm / 2 3/16" for HYPRO-X 40 Profile Insert - 25W LED (Zhaga Standard) - 2700K / 3000K / 3500K / 4000K - Reflectors 15° / 17° / 25° / 33° / 35° / 46°

GENERAL

Series: Centriq
 Partner: Prolicht
 Division: Architectural
 Product Type: Spots
 Light Distribution: Adjustable / Direct

PHYSICAL

Aperture Sizes - Downlights: 2"
 Shape: Round
 Diameter (mm): 56
 Diameter (in): 2 3/16
 Length (mm): 500
 Length (in): 19 1/16
 Height (mm): 112
 Height (in): 4 7/16
 Weight (kg): 1.602
 Weight (lbs): 3.53
 Fixture Finish: SSR / BKV / CWI / CRY / HAB / UFT / ITA / RUA / FTG / MYG / LOD / PUS / FRO / FUP / KIA / POP / BLS / SPG / MEY / GOH / CHC / COM / ABZ / JAG / OBR / MOS / ROR
 Fixture Material: Aluminum

ELECTRICAL

Input Wattage Range: 20 - 29 W
 Lamp Type: LED (Zhaga Standard)
 Input Wattage (W): 25
 Total Output Wattage (W): 20.96
 Dimming: Non-Dimmable / 0-10V Dimming
 Driver Included: Yes
 Driver Location: Integrated
 Driver Type: Constant Current - 120Vac
 Driver Class: Class 2
 Input Voltage (V): 120
 Constant Current (mA): 500

LED

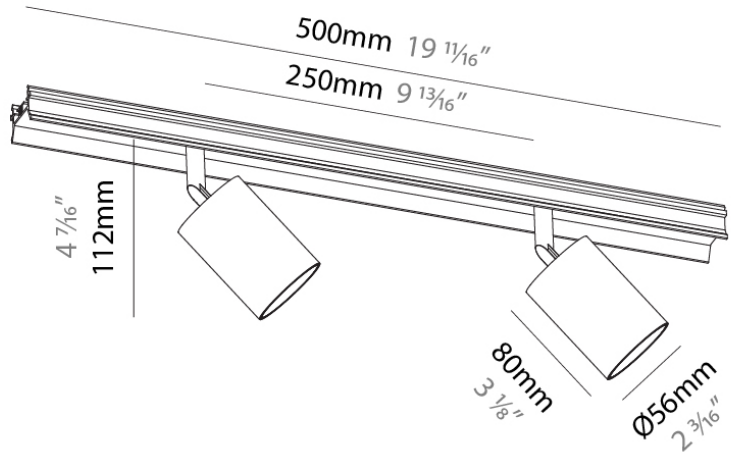
Number of LEDs: 2
 Color Temperature (°K): 2700 / 3000 / 3500 / 4000
 Max. Delivered Lumen (lm): 1718 / 1798 / 1868 / 1906
 Nominal Lumen (lm): 2322 / 2240 / 2425 / 2474
 CRI: >90 CRI
 Lamp Life (hrs): 50000

OPTICAL

Reflector°: 15 / 17 / 25 / 33 / 35 / 46
 Adjustability: Rotational 360°; Tilt 90°

RATINGS AND CERTIFICATIONS

Certified By: Certified for North American Standards
 IP rating: IP20



A3HY40X-SUS-SYS COMPONENTS

A38919-

DESCRIPTION

Rico LED (Zhaga Standard) - Hypro 40 Profile Insert - 16.5W LED (Zhaga Standard) - 2700K / 3000K / 3500K / 4000K - Beam Angle: 46° / 62°

GENERAL

Series: Hypro

Subseries: Hypro 40

Partner: Prolicht

Division: Architectural

Light Distribution: Direct

PHYSICAL

Length (mm): 705

Length (in): 27 ³/₄"

Width (mm): 29

Width (in): 1 ¹/₁₀"

Height (mm): 50

Height (in): 2

Weight (kg): 0.668

Weight (lbs): 1.47

Fixture Material: Metal

ELECTRICAL

Input Wattage Range: 10 - 19 W

Lamp Type: LED (Zhaga Standard)

Input Wattage (W): 16.5

Total Output Wattage (W): 15

Dimming: Non-Dimmable / 0-10V Dimming

Driver Included: Yes

Driver Location: Integrated

Driver Type: Constant Current - 120Vac

Driver Class: Class 2

Input Voltage (V): 120

Constant Current (mA): 350

LED

Delivered Lumen Range: 1000 - 1999 lm

Color Temperature (°K): 2700 / 3000 / 3500 / 4000

Max. Delivered Lumen (lm): 1760 / 1880 / 1920 / 1960

Nominal Lumen (lm): 2250 / 2400 / 2450 / 2500

CRI: >80 CRI

Lamp Life (hrs): 50000

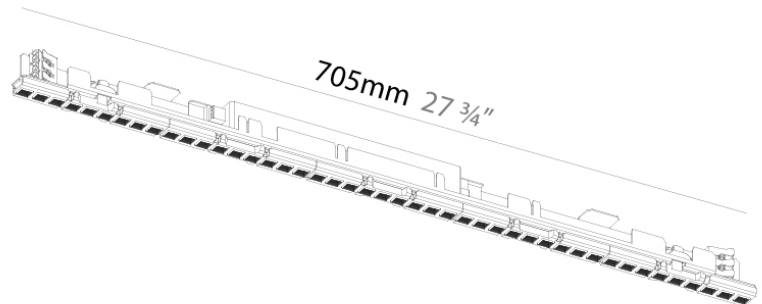
OPTICAL

Beam Angle: 46 / 62

RATINGS AND CERTIFICATIONS

Certified By: Certified for North American Standards

IP rating: IP20



PROJECT
TYPE
NOTES
QUANTITY
DATE

A3HY40X-SUS-SYS COMPONENTS

A38920-

DESCRIPTION

Rico LED (Zhaga Standard) - Hypro 40 Profile Insert - 33.W LED (Zhaga Standard) - 2700K / 3000K / 3500K / 4000K - Beam Angle: 46° / 62°

GENERAL

Series: Hypro
 Subseries: Hypro 40
 Partner: Prolicht
 Division: Architectural
 Light Distribution: Direct

PHYSICAL

Length (mm): 1408
 Length (in): 55 7/16
 Width (mm): 29
 Width (in): 1 1/10
 Height (mm): 50
 Height (in): 2
 Weight (kg): 1.191
 Weight (lbs): 2.63
 Fixture Material: Metal

ELECTRICAL

Input Wattage Range: 30 - 49 W
 Lamp Type: LED (Zhaga Standard)
 Input Wattage (W): 33.3
 Total Output Wattage (W): 30
 Dimming: Non-Dimmable / 0-10V Dimming
 Driver Included: Yes
 Driver Location: Integrated
 Driver Type: Constant Current - 120Vac
 Driver Class: Class 1
 Input Voltage (V): 120
 Constant Current (mA): 350

LED

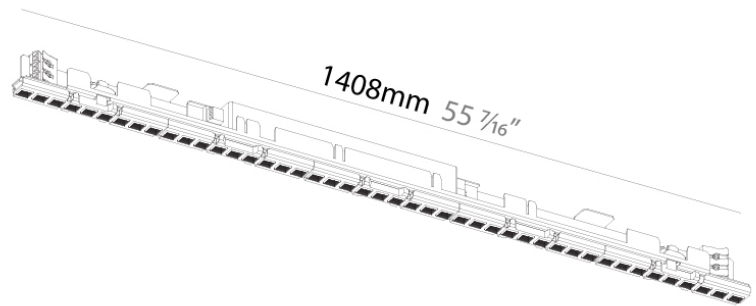
Delivered Lumen Range: 3000 - 4999 lm
 Color Temperature (°K): 2700 / 3000 / 3500 / 4000
 Max. Delivered Lumen (lm): 3520 / 3760 / 3243 / 3920
 Nominal Lumen (lm): 4500 / 4800 / 4900 / 5000
 CRI: >80 CRI
 Lamp Life (hrs): 50000

OPTICAL

Beam Angle: 46 / 62

RATINGS AND CERTIFICATIONS

Certified By: Certified for North American Standards
 IP rating: IP20



A3HY40X-SUS-SYS COMPONENTS

PROJECT	_____
TYPE	_____
NOTES	_____
QUANTITY	_____
DATE	_____

A39013-

DESCRIPTION
Suspension Power Feed 3x0.75, 2000mm

GENERAL

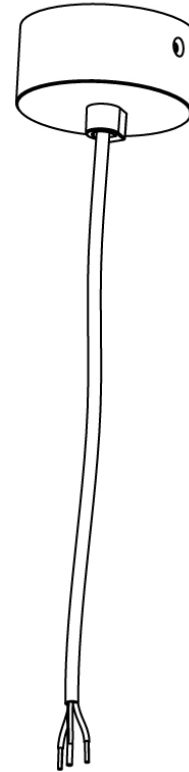
Partner: Prolight
Division: Architectural

PHYSICAL

Shape: Round
Diameter (mm): 120
Diameter (in): 4 ³/₄
Length (mm): 2000
Length (in): 78 ³/₄
Width (mm): 120
Width (in): 4 ³/₄
Height (mm): 30
Height (in): 1 ¹/₁₆
Weight (kg): 0.3
Weight (lbs): 0.66
Fixture Finish: ANA / SSR / BKV / CWI / CRY / HAB / MSR / UFT / ITA / RUA / OGR / FTG / MYG / RWR / LOD / PUS / FRO / FUP / KIA / POP / BLS / SPG / MEY / GOH / CHC / COM / ABZ / JAG / OBR / MOS / ROR
Fixture Material: Aluminum

RATINGS AND CERTIFICATIONS

Certified By: Certified for North American Standards
IP rating: IP20



A3HY40X-SUS-SYS COMPONENTS

PROJECT	_____
TYPE	_____
NOTES	_____
QUANTITY	_____
DATE	_____

A39014-

DESCRIPTION

Suspension Power Feed 5x0.75 - 2000mm

GENERAL

Partner: Prolicht

Division: Architectural

PHYSICAL

Shape: Round

Diameter (mm): 120

Diameter (in): 4 $\frac{3}{4}$

Length (mm): 2000

Length (in): 78 $\frac{3}{4}$

Width (mm): 120

Width (in): 4 $\frac{3}{4}$

Height (mm): 30

Height (in): 1 $\frac{3}{16}$

Weight (kg): 0.3

Weight (lbs): 0.661

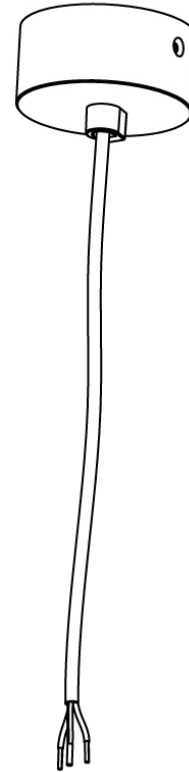
Fixture Finish: ANA / SSR / BKV / CWI / CRY / HAB / MSR / UFT / ITA / RUA / OGR / FTG / MYG / RWR / LOD / PUS / FRO / FUP / KIA / POP / BLS / SPG / MEY / GOH / CHC / COM / ABZ / JAG / OBR / MOS / ROR

Fixture Material: Aluminum

RATINGS AND CERTIFICATIONS

Certified By: Certified for North American Standards

IP rating: IP20



A

A3HY40X-SUS-SYS COMPONENTS

PROJECT	_____
TYPE	_____
NOTES	_____
QUANTITY	_____
DATE	_____

A39015-

DESCRIPTION

Suspension Power Feed 4x0.75 2000mm 2 Circuits Phase Dimming

GENERAL

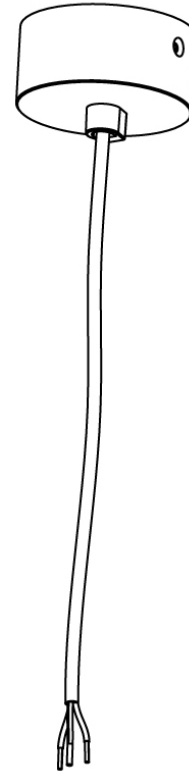
Partner: Prolight
 Division: Architectural

PHYSICAL

Shape: Round
 Diameter (mm): 120
 Diameter (in): 4 ³/₄
 Length (mm): 6000
 Length (in): 236 ¹/₄
 Width (mm): 120
 Width (in): 4 ³/₄
 Height (mm): 30
 Height (in): 1 ³/₁₆
 Weight (kg): 0.118
 Weight (lbs): 0.26
 Fixture Finish: ANA / SSR / BKV / CWI / CRY / HAB / MSR / UFT / ITA / RUA / OGR / FTG / MYG / RWR / LOD / PUS / FRO / FUP / KIA / POP / BLS / SPG / MEY / GOH / CHC / COM / ABZ / JAG / OBR / MOS / ROR
 Fixture Material: Aluminum

RATINGS AND CERTIFICATIONS

Certified By: Certified for North American Standards
 IP rating: IP20



A3HY40X-SUS-SYS COMPONENTS

PROJECT	_____
TYPE	_____
NOTES	_____
QUANTITY	_____
DATE	_____

A39016-

DESCRIPTION

Suspension Power Feed 3x0.75, 6000mm

GENERAL

Partner: Prolicht

Division: Architectural

PHYSICAL

Shape: Round

Diameter (mm): 120

Diameter (in): 4 ³/₄

Length (mm): 6000

Length (in): 236 ¹/₄

Width (mm): 120

Width (in): 4 ³/₄

Height (mm): 30

Height (in): 1 ³/₁₆

Weight (kg): 0.117

Weight (lbs): 0.258

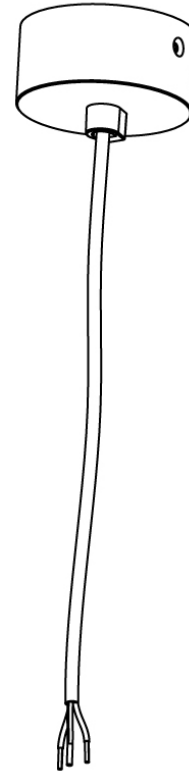
Fixture Finish: ANA / SSR / BKV / CWI / CRY / HAB / MSR / UFT / ITA / RUA / OGR / FTG / MYG / RWR / LOD / PUS / FRO / FUP / KIA / POP / BLS / SPG / MEY / GOH / CHC / COM / ABZ / JAG / OBR / MOS / ROR

Fixture Material: Aluminum

RATINGS AND CERTIFICATIONS

Certified By: Certified for North American Standards

IP rating: IP20



A

A3HY40X-SUS-SYS COMPONENTS

PROJECT	_____
TYPE	_____
NOTES	_____
QUANTITY	_____
DATE	_____

A39017-

DESCRIPTION

Suspension Power Feed 5x0.75, 6000mm

GENERAL

Partner: Prolicht

Division: Architectural

PHYSICAL

Shape: Round

Diameter (mm): 120

Diameter (in): 4 ³/₄

Length (mm): 6000

Length (in): 236 ¹/₄

Width (mm): 120

Width (in): 4 ³/₄

Height (mm): 30

Height (in): 1 ³/₁₆

Weight (kg): 0.117

Weight (lbs): 0.258

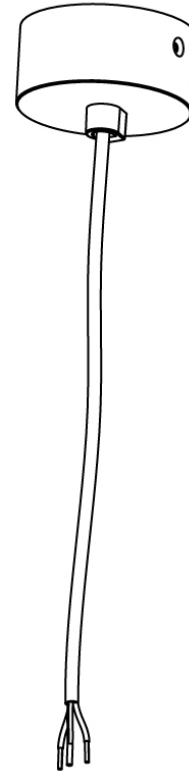
Fixture Finish: ANA / SSR / BKV / CWI / CRY / HAB / MSR / UFT / ITA / RUA / OGR / FTG / MYG / RWR / LOD / PUS / FRO / FUP / KIA / POP / BLS / SPG / MEY / GOH / CHC / COM / ABZ / JAG / OBR / MOS / ROR

Fixture Material: Aluminum

RATINGS AND CERTIFICATIONS

Certified By: Certified for North American Standards

IP rating: IP20



PROJECT	_____
TYPE	_____
NOTES	_____
QUANTITY	_____
DATE	_____

A3HY40X-SUS-SYS COMPONENTS

A39018-

DESCRIPTION

Suspension Power Feed 4x0.75, 6000mm 2 Circuits Phase Dimming

GENERAL

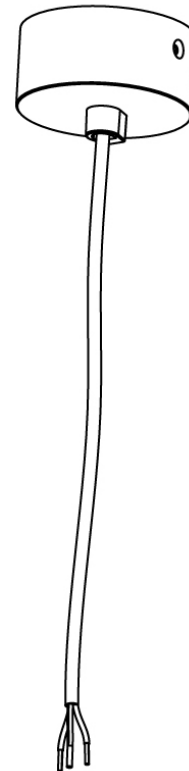
Partner: Prolight
 Division: Architectural

PHYSICAL




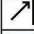


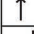



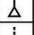






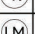


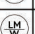


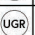























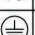





















Shape: Round
 Diameter (mm): 81
 Diameter (in): 3 ³/₁₆
 Length (mm): 3 3/16
 Length (in): 236 ³/₄
 Width (mm): 81
 Width (in): 3 ⁷/₁₆
 Height (mm): 32
 Height (in): 1 ¹/₄
 Weight (kg): 0.35
 Weight (lbs): 0.77
 Fixture Finish: ANA / SSR / BKV / CWI / CRY / HAB / MSR / UFT / ITA / RUA / OGR / FTG / MYG / RWR / LOD / PUS / FRO / FUP / KIA / POP / BLS / SPG / MEY / GOH / CHC / COM / ABZ / JAG / OBR / MOS / ROR
 Fixture Material: Aluminum

RATINGS AND CERTIFICATIONS


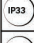

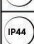



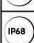


Certified By: Certified for North American Standards
 IP rating: IP20










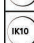


LEGEND

	floor-mounted		pivotal		special LED (upon request) RGB, RGBW, tunable, gold+, meat+, art+, fashion+
	wall and ceiling: recessed and surface mounted		rotating		warm dim / natural dimming LED
	ceiling-mounted and wall-mounted		illuminate tilted		rechargeable battery powered
	wall-mounted		color of suspension cable		fixture with natural vivid LED (upon request)
	omni-directional light distribution		length of suspension cable		color rendering index
	direct light distribution		reflector degree selection		color temperature
	direct/indirect light distribution		super spot		lumen (luminous flux)
	indirect light distribution		lens		efficacy (lumens per watt)
	asymmetric light distribution		lens pack		Unified Glare Rating (UGR) range from 5-40
	aura light distribution		shine ring		marine grade (AISI 316 stainless steel)
	round wall or ceiling cut-out		integrated shine ring with diffuser		walk on
	square wall or ceiling cut-out		free individual colors 01-29		drive on
	the supplied jig specifies the cutout dimensions		individual colors: 00 (free of charge), 01-25 (extra charge)		Dark Sky Compliance
	minimum distance (meters) lamp - object		luminaire part to be colored (F1)		Americans with Disabilities Act (less than 4" off the wall located between 27"-84" from floor)
	recessed depth		luminaire part to be colored (F2)		lamp protected against explosion
	ceiling thickness in mm		luminaire part to be colored (F3)		blown glass using traditional methods by master glass blower
	ceiling thickness selection		luminaire part to be colored (F4)		acoustic material
	dimnable DP (phase), DV (0-10V), DD (dali), DS (step-dim)		luminaire part to be colored (F5)		protection class I, protection insulation
	included or excluded LED driver/transformer/control gear		color of 3-circuit adaptor		protection class II, protection insulation
	separately switchable		indirect diffuser		ETL Certified to UL and CSA Standards
	sensor		direct diffuser		UL Certified to UL and CSA Standards
	remote control		ball-proof (upon request)		CSA Certified to UL and CSA Standards
	available upon request		accessory		Certified for North American Standards

IP RATING

	protected against ingress of solid bodies greater than 12.5mm (finger)
	protected against ingress of solid bodies greater than 2.5mm protected against sprays of water up to 60 degrees from the vertical (rain)
	protected against ingress of solid bodies greater than 1mm (wire) no protection against the ingress of moisture
	protected against ingress of solid bodies greater than 1mm (wire) protected against sprays of water up to 60 degrees from the vertical (rain)
	protected against ingress of solid bodies greater than 1mm (wire) protected against water splashed from all directions
	protected against limited ingress of dust (wet rooms/covered outdoor areas) protected against water splashed from all directions
	protected against ingress of dust protected against jets of water
	protected against ingress of dust protected against powerful jets of water or heavy seas
	protected against ingress of dust protected against immersion of water between 15cm - 1m for 30 minutes
	protected against ingress of dust protected against immersion of water under pressure for long periods

IK RATING

	protected against 0.14 joules impact (equivalent to 0.25kg mass dropped from 56mm above the surface)
	protected against 0.2 joules impact (equivalent to 0.25kg mass dropped from 80mm above the surface)
	protected against 0.35 joules impact (equivalent to 0.25kg mass dropped from 140mm above the surface)
	protected against 0.5 joules impact (equivalent to 0.25kg mass dropped from 200mm above the surface)
	protected against 0.7 joules impact (equivalent to 0.25kg mass dropped from 280mm above the surface)
	protected against 1 joules impact (equivalent to 0.25kg mass dropped from 400mm above the surface)
	protected against 2 joules impact (equivalent to 0.5kg mass dropped from 400mm above the surface)
	protected against 5 joules impact (equivalent to 1.7kg mass dropped from 300mm above the surface)
	protected against 10 joules impact (equivalent to 5.0kg mass dropped from 200mm above the surface)
	protected against 20 joules impact (equivalent to 5.0kg mass dropped from 400mm above the surface)