

## A3ID100-SUR-SYS COMPONENTS SURFACE

### A32401-

#### DESCRIPTION

Idaho 100 - Surface Profile - Max 3,000mm / 118 1/8" max Aluminum Profile

#### GENERAL

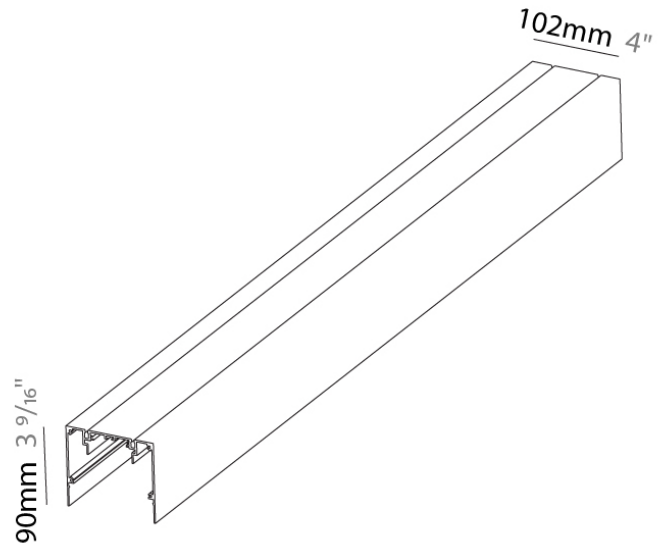
Series: Idaho \_\_\_\_\_  
Subseries: Idaho 100 \_\_\_\_\_  
Brand: Prolicht \_\_\_\_\_  
Division: Architectural \_\_\_\_\_  
Mounting Type: Surface \_\_\_\_\_  
Mounting Location: Ceiling \_\_\_\_\_  
Subcategory: Profile \_\_\_\_\_

#### PHYSICAL

Shape: Rectangle \_\_\_\_\_  
Length (mm): 1000 \_\_\_\_\_  
Length (in): 39 3/8 \_\_\_\_\_  
Width (mm): 102 \_\_\_\_\_  
Width (in): 4 \_\_\_\_\_  
Height (mm): 90 \_\_\_\_\_  
Height (in): 3 9/16 \_\_\_\_\_  
Weight (kg): 2.25 \_\_\_\_\_  
Weight (lbs): 4.96 \_\_\_\_\_  
Fixture Finish: ANA / SSR / BKV / CWI / CRY / HAB / MSR / UFT / ITA / RUA / OGR / FTG / MYG / RWR / LOD / PUS / FRO / FUP / KIA / POP / BLS / SPG / MEY / GOH / GUM / CHC / COM / ABZ / JAG / OBR / MOS / ROR \_\_\_\_\_  
Fixture Material: Aluminum \_\_\_\_\_

#### RATINGS AND CERTIFICATIONS

Certified By: Certified for North American Standards \_\_\_\_\_  
IP rating: IP20 \_\_\_\_\_



max. 3000mm 118 1/8"



## A3ID100-SUR-SYS COMPONENTS

PROJECT
TYPE
NOTES
QUANTITY
DATE

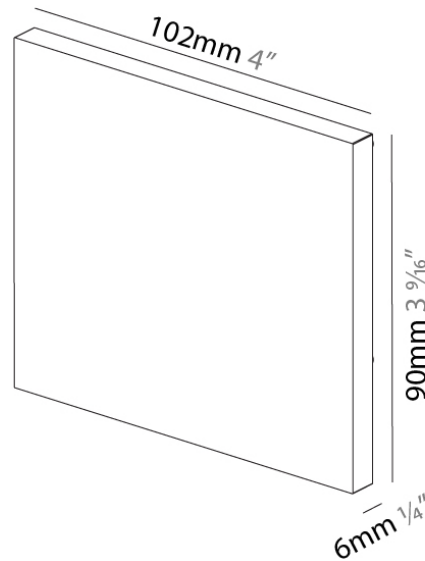
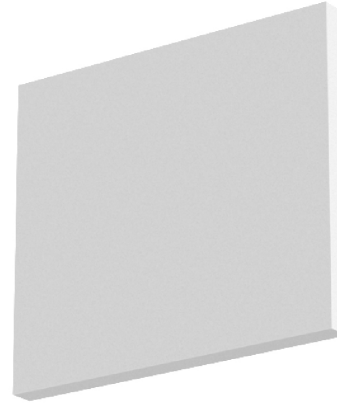
### A380009-

**DESCRIPTION**  
Idaho 100 System - Surface/Suspension Profile End Cap

**GENERAL**  
Series: Idaho  
Subseries: Idaho 100  
Brand: Prolicht  
Division: Architectural

**PHYSICAL**  
Shape: Rectangle  
Length (mm): 102  
Length (in): 4  
Width (mm): 6  
Width (in): 1/4  
Height (mm): 90  
Height (in): 3 9/16  
Weight (kg): 0.179  
Weight (lbs): 0.39  
Fixture Finish: SSR / BKV / CWI / CRY / HAB / UFT / ITA / RUA / FTG / MYG / LOD / PUS / FRO / FUP / KIA / POP / BLS / SPG / MEY / GOH / GUM / CHC / COM / ABZ / JAG / OBR / MOS / ROR  
Fixture Material: Aluminum

**RATINGS AND CERTIFICATIONS**  
Certified By: Certified for North American Standards  
IP rating: IP20



## A3ID100-SUR-SYS COMPONENTS

### A3817100

#### DESCRIPTION

Idaho 100 System - Trimless Micro-Prism Diffuser per Meter -  
Max 3000mm / 118 1/8"

#### GENERAL

Series: Idaho  
Subseries: Idaho 100  
Brand: Prolicht  
Division: Architectural

#### PHYSICAL

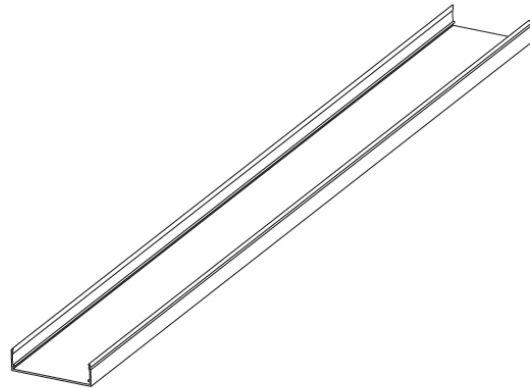
Shape: Rectangle  
Length (mm): 1000  
Length (in): 39 3/8  
Width (mm): 99  
Width (in): 3 7/8  
Height (mm): 27  
Height (in): 1 1/16  
Weight (kg): 0.73  
Weight (lbs): 1.61  
Diffuser: PMMA - Micro-Prism  
Fixture Material: Metal

#### ELECTRICAL

Lamp Type: LED (Zhaga Standard)

#### RATINGS AND CERTIFICATIONS

Certified By: Certified for North American Standards  
IP rating: IP20



max. 3000mm 118 1/8"



## A3ID100-SUR-SYS COMPONENTS

### A38172-

#### DESCRIPTION

Idaho 100 System - Light Insert - 1140mm - 20W / 12.8W [O/P]  
 (3500K) - LED (Zhaga Standard) - 3000K / 3500K / 4000K

#### GENERAL

Series: Idaho \_\_\_\_\_  
 Subseries: Idaho 100 \_\_\_\_\_  
 Brand: Prolicht \_\_\_\_\_  
 Division: Architectural \_\_\_\_\_

#### PHYSICAL

Shape: Rectangle \_\_\_\_\_  
 Length (mm): 1140 \_\_\_\_\_  
 Length (in): 44 <sup>7</sup>/<sub>8</sub> \_\_\_\_\_  
 Width (mm): 87 \_\_\_\_\_  
 Width (in): 3 <sup>7</sup>/<sub>16</sub> \_\_\_\_\_  
 Height (mm): 65 \_\_\_\_\_  
 Height (in): 2 <sup>9</sup>/<sub>16</sub> \_\_\_\_\_  
 Light Distribution: Direct \_\_\_\_\_  
 Weight (kg): 2.424 \_\_\_\_\_  
 Weight (lbs): 5.34 \_\_\_\_\_  
 Fixture Material: Metal \_\_\_\_\_

#### ELECTRICAL

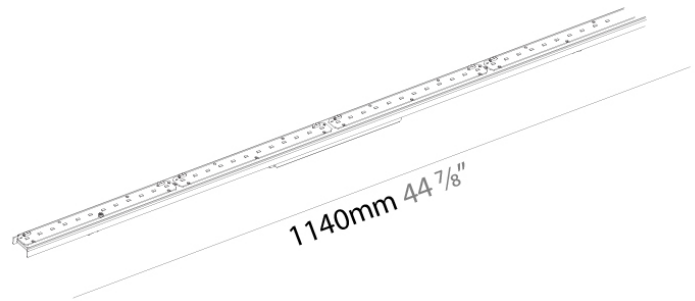
Input Wattage Range: 20 - 29 W \_\_\_\_\_  
 Lamp Type: LED (Zhaga Standard) \_\_\_\_\_  
 Input Wattage (W): 20 \_\_\_\_\_  
 Total Output Wattage (W): 16 / 12.8 (3500K) \_\_\_\_\_  
 Dimming: Non-Dimming / Phase Dimming (120Vac only) / 0-10V Dimming \_\_\_\_\_  
 Driver Included: Yes \_\_\_\_\_  
 Driver Location: Integrated \_\_\_\_\_  
 Driver Type: Constant Current - 120 / 277Vac \_\_\_\_\_  
 Driver Class: Class 2 \_\_\_\_\_  
 Input Voltage (V): 120 - 277 \_\_\_\_\_  
 Constant Current (MA): 350 / 400 (3500K) \_\_\_\_\_

#### LED

Delivered Lumen Range: 2000 - 2999 lm \_\_\_\_\_  
 Color Temperature (°K): 3000 / 3500 / 4000 \_\_\_\_\_  
 Max. Delivered Lumen (lm): 2175 / 2252 / 2298 \_\_\_\_\_  
 Nominal Lumen (lm): 2840 / 2940 / 3000 \_\_\_\_\_  
 CRI: >80 CRI \_\_\_\_\_  
 Efficiency (%): 0.72 \_\_\_\_\_  
 Lamp Life (hrs): 50000 \_\_\_\_\_  
 Upon Request: Special Color Temperature RGB-W Tunable White CRI (no minimum qty) price increase + longer lead time \_\_\_\_\_

#### RATINGS AND CERTIFICATIONS

Certified By: Certified for North American Standards \_\_\_\_\_  
 IP rating: IP20 \_\_\_\_\_



PROJECT
TYPE
NOTES
QUANTITY
DATE

## A3ID100-SUR-SYS COMPONENTS

### A38176-

#### DESCRIPTION

Idaho 100 System - Light Insert - 1420mm/55 7/8" - 25W / 16W [O/P] (3500K) - LED (Zhaga Standard) - 3000K / 3500K / 4000K

#### GENERAL

Series: Idaho  
 Subseries: Idaho 100  
 Brand: Prolicht  
 Division: Architectural

#### PHYSICAL

Shape: Rectangle  
 Length (mm): 1420  
 Length (in): 55 7/8  
 Width (mm): 87  
 Width (in): 3 7/16  
 Height (mm): 65  
 Height (in): 2 9/16  
 Light Distribution: Direct  
 Weight (kg): 2.75  
 Weight (lbs): 6.06  
 Fixture Material: Metal

#### ELECTRICAL

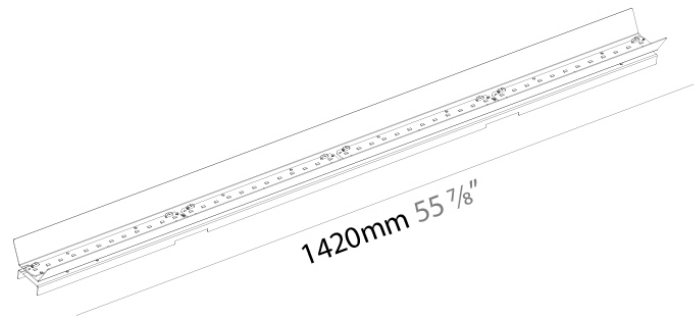
Input Wattage Range: 20 - 29 W  
 Lamp Type: LED (Zhaga Standard)  
 Input Wattage (W): 25  
 Total Output Wattage (W): 20 / 16 (3500K)  
 Dimming: Non-Dimming / Phase Dimming (120Vac only) / 0-10V Dimming  
 Driver Included: Yes  
 Driver Location: Integrated  
 Driver Type: Constant Current - 120 / 277Vac  
 Driver Class: Class 2  
 Input Voltage (V): 120 - 277  
 Constant Current (mA): 350 / 500 (3500K)

#### LED

Delivered Lumen Range: 2000 - 2999 lm  
 Color Temperature (°K): 3000 / 3500 / 4000  
 Max. Delivered Lumen (lm): 2719 / 2815 / 2872  
 Nominal Lumen (lm): 3550 / 3675 / 3750  
 CRI: >80 CRI  
 Efficiency (%): 0.72  
 Lamp Life (hrs): 50000  
 Upon Request: Special Color Temperature RGB-W Tunable White CRI (no minimum qty) price increase + longer lead time

#### RATINGS AND CERTIFICATIONS

Certified By: Certified for North American Standards  
 IP rating: IP20



PROJECT
TYPE
NOTES
QUANTITY
DATE

## A3ID100-SUR-SYS COMPONENTS

### A38180-

#### DESCRIPTION

Idaho 100 System - Light Insert - 1700mm - 30W / 19.2W [O/P] (3500K) - LED (Zhaga Standard) - 3000K / 3500K / 4000K

#### GENERAL

Series: Idaho  
 Subseries: Idaho 100  
 Brand: Prolicht  
 Division: Architectural

#### PHYSICAL

Shape: Rectangle  
 Length (mm): 1700  
 Length (in): 66 <sup>15</sup>/<sub>16</sub>  
 Width (mm): 87  
 Width (in): 3 <sup>7</sup>/<sub>16</sub>  
 Height (mm): 65  
 Height (in): 2 <sup>9</sup>/<sub>16</sub>  
 Light Distribution: Direct  
 Weight (kg): 3.2  
 Weight (lbs): 7.05  
 Fixture Material: Metal

#### ELECTRICAL

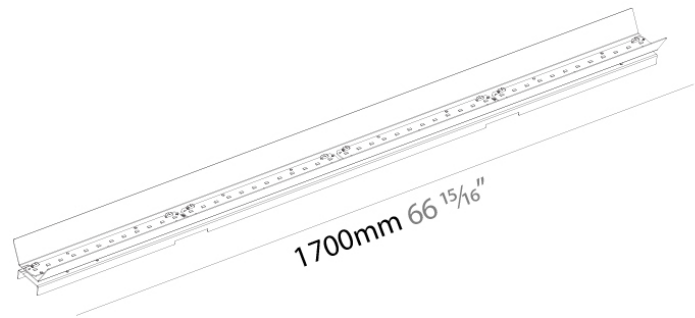
Input Wattage Range: 30 - 49 W  
 Lamp Type: LED (Zhaga Standard)  
 Input Wattage (W): 30  
 Total Output Wattage (W): 24 / 19.2 (3500K)  
 Dimming: Non-Dimming / Phase Dimming (120Vac only) / 0-10V Dimming  
 Driver Included: Yes  
 Driver Location: Integrated  
 Driver Type: Constant Current - 120 / 277Vac  
 Driver Class: Class 2  
 Input Voltage (V): 120 - 277  
 Constant Current (MA): 350 / 600 (3500K)

#### LED

Delivered Lumen Range: 2000 - 3999 lm  
 Color Temperature (°K): 3000 / 3500 / 4000  
 Max. Delivered Lumen (lm): 3263 / 3378 / 3447  
 Nominal Lumen (lm): 4260 / 4410 / 4500  
 CRI: >80 CRI  
 Efficiency (%): 0.72  
 Lamp Life (hrs): 50000  
 Upon Request: Special Color Temperature RGB-W Tunable White CRI (no minimum qty) price increase + longer lead time

#### RATINGS AND CERTIFICATIONS

Certified By: Certified for North American Standards  
 IP rating: IP20



PROJECT
TYPE
NOTES
QUANTITY
DATE

## A3ID100-SUR-SYS COMPONENTS

### A38184-

#### DESCRIPTION

Idaho 100 System - Idaline Light Insert - 1980mm / 77 15/16" - 34.3W / 22.4W [O/P] (3500K) - LED (Zhaga Standard) - 3000K / 3500K / 4000K - Dimmable.

#### GENERAL

Series: Idaho  
Subseries: Idaho 100  
Brand: Prolicht  
Division: Architectural

#### PHYSICAL

Shape: Rectangle  
Length (mm): 1980  
Length (in): 77 15/16  
Width (mm): 87  
Width (in): 3 7/16  
Height (mm): 65  
Height (in): 2 9/16  
Light Distribution: Direct  
Weight (kg): 3.7  
Weight (lbs): 8.16  
Fixture Material: Metal

#### ELECTRICAL

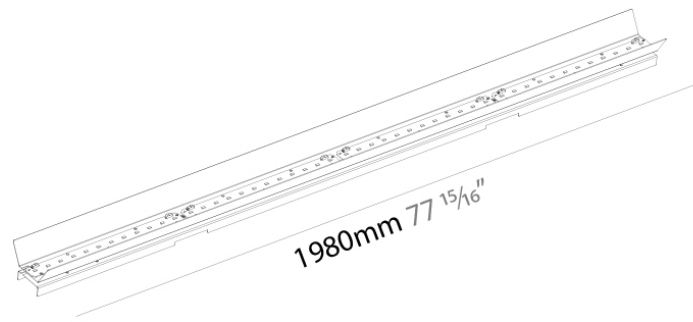
Input Wattage Range: 30 - 49 W  
Lamp Type: LED (Zhaga Standard)  
Input Wattage (W): 34.3  
Total Output Wattage (W): 28 / 22.4 (3500K)  
Dimming: 0-10V Dimming / Phase Dimming (120Vac Only)  
Driver Included: Yes  
Driver Location: Integrated  
Driver Type: Constant Current - 120 / 277Vac  
Driver Class: Class 2  
Input Voltage (V): 120 - 277  
Constant Current (MA): 350 / 700 (3500K)

#### LED

Delivered Lumen Range: 2000 - 3999 lm  
Color Temperature (°K): 3000 / 3500 / 4000  
Max. Delivered Lumen (lm): 3467 / 3529 / 3601  
Nominal Lumen (lm): 4527 / 4608 / 4702  
CRI: >90 CRI  
Efficiency (%): 0.72  
Lamp Life (hrs): 50000  
Upon Request: Special Color Temperature RGB-W Tunable White CRI (no minimum qty) price increase + longer lead time

#### RATINGS AND CERTIFICATIONS

Certified By: Certified for North American Standards  
IP rating: IP20



PROJECT
TYPE
NOTES
QUANTITY
DATE

## A3ID100-SUR-SYS COMPONENTS

### A38188-

#### DESCRIPTION

Idaho 100 System - Light Insert - 2270mm/ 89 3/8" - 39.2W LED (Zhaga Standard) - 3000K / 3500K / 4000K - Dimmable

#### GENERAL

Series: Idaho  
 Subseries: Idaho 100  
 Brand: Prolicht  
 Division: Architectural

#### PHYSICAL

Shape: Rectangle  
 Length (mm): 2270  
 Length (in): 89 3/8  
 Width (mm): 87  
 Width (in): 3 7/16  
 Height (mm): 65  
 Height (in): 2 9/16  
 Light Distribution: Direct  
 Weight (kg): 4.181  
 Weight (lbs): 9.22  
 Fixture Material: Metal

#### ELECTRICAL

Input Wattage Range: 30 - 49 W  
 Lamp Type: LED (Zhaga Standard)  
 Input Wattage (W): 39.2  
 Total Output Wattage (W): 32 / 22.4 (3500K)  
 Dimming: 0-10V Dimming / Phase Dimming (120Vac Only)  
 Driver Included: Yes  
 Driver Location: Integrated  
 Driver Type: Constant Current - 120 / 277Vac  
 Driver Class: Class 2  
 Input Voltage (V): 120 - 277  
 Constant Current (mA): 350 / 800 (3500K)

#### LED

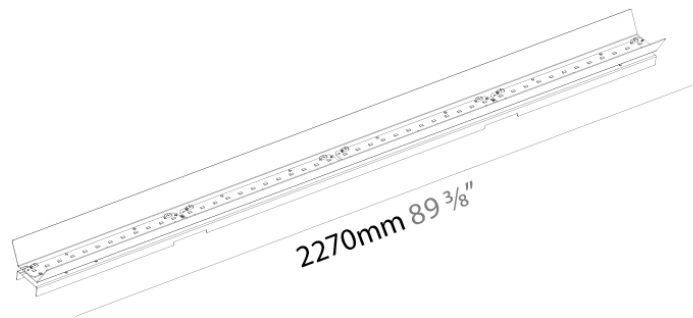
Delivered Lumen Range: 3000 - 4999 lm  
 Color Temperature (°K): 3000 / 3500 / 4000  
 Max. Delivered Lumen (lm): 3963 / 4034 / 4116  
 Nominal Lumen (lm): 5173 / 5266 / 5373  
 CRI: >90 CRI  
 Efficiency (%): 0.72  
 Lamp Life (hrs): 50000  
 Upon Request: Special Color Temperature RGB-W Tunable White CRI (no minimum qty) price increase + longer lead time

#### OPTICAL

Beam Angle: 78

#### RATINGS AND CERTIFICATIONS

Certified By: Certified for North American Standards  
 IP rating: IP20





PROJECT
TYPE
NOTES
QUANTITY
DATE

## A3ID100-SUR-SYS COMPONENTS

### A38608-

#### DESCRIPTION

Idaho 100 System - 1 Spot Light Insert - 9.9W LED (Zhaga Standard) - 2700K / 3000K / 3500K / 4000K - Reflectors 20° / 40° / 60°

#### GENERAL

Series: Idaho  
 Subseries: Idaho 100  
 Brand: Prolicht  
 Division: Architectural  
 Subcategory: Spots

#### PHYSICAL

Length (mm): 350  
 Length (in): 13 <sup>3</sup>/<sub>4</sub>  
 Width (mm): 86  
 Width (in): 3 <sup>3</sup>/<sub>8</sub>  
 Height (mm): 68  
 Height (in): 2 <sup>11</sup>/<sub>16</sub>  
 Light Distribution: Direct  
 Weight (kg): 0.459  
 Weight (lbs): 1.01  
 Fixture Finish: SSR / BKV / CWI / CRY / HAB / UFT / ITA / RUA / FTG / MYG / LOD / PUS / FRO / FUP / KIA / POP / BLS / SPG / MEY / GOH / GUM / CHC / COM / ABZ / JAG / OBR / MOS / ROR  
 Fixture Material: Aluminum Die Cast

#### ELECTRICAL

Input Wattage Range: 10 - 19 W  
 Lamp Type: LED (Zhaga Standard)  
 Input Wattage (W): 9.9  
 Total Output Wattage (W): 8.9  
 Dimming: Non-Dimming / Phase Dimming (120Vac only) / 0-10V Dimming  
 Driver Included: Yes  
 Driver Location: Integrated  
 Driver Type: Constant Current - Universal  
 Driver Class: Class 2  
 Input Voltage (V): 120 - 277  
 Constant Current (mA): 350

#### LED

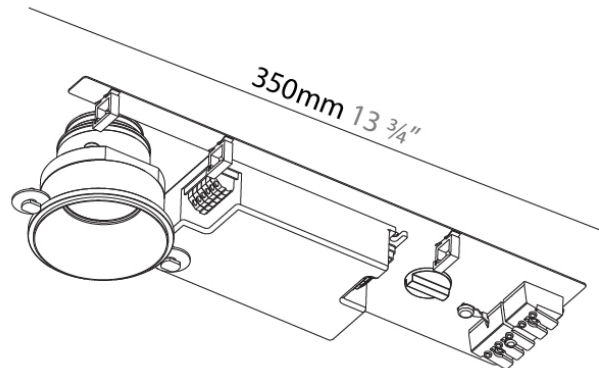
Delivered Lumen Range: 500 - 999 lm  
 Color Temperature (°K): 2700 / 3000 / 3500 / 4000  
 Max. Delivered Lumen (lm): 660 / 680 / 715 / 730  
 Nominal Lumen (lm): 983 / 1020 / 1072 / 1094  
 CRI: >90 CRI  
 Efficiency (%): 0.884  
 Lamp Life (hrs): 50000

#### OPTICAL

Reflector°: 20 / 40 / 60

#### RATINGS AND CERTIFICATIONS

Certified By: Certified for North American Standards  
 IP rating: IP20



PROJECT	
TYPE	
NOTES	
QUANTITY	
DATE	

## A3ID100-SUR-SYS COMPONENTS

### A38611-

#### DESCRIPTION

Idaho 100 System - 2 Spot Light Insert - 19.8W LED (Zhaga Standard) - 2700K / 3000K / 3500K / 4000K - Reflectors 20° / 40° / 60°

#### GENERAL

Series: Idaho  
 Subseries: Idaho 100  
 Brand: Prolicht  
 Division: Architectural  
 Subcategory: Spots

#### PHYSICAL

Length (mm): 450  
 Length (in): 17 11/16  
 Width (mm): 86  
 Width (in): 3 3/8  
 Height (mm): 68  
 Height (in): 2 11/16  
 Light Distribution: Direct  
 Weight (kg): 0.66  
 Weight (lbs): 1.46

Fixture Finish: SSR / BKV / CWI / CRY / HAB / UFT / ITA / RUA / FTG / MYG / LOD / PUS / FRO / FUP / KIA / POP / BLS / SPG / MEY / GOH / GUM / CHC / COM / ABZ / JAG / OBR / MOS / ROR

Fixture Material: Aluminum

#### ELECTRICAL

Input Wattage Range: 10 - 19 W  
 Lamp Type: LED (Zhaga Standard)  
 Input Wattage (W): 19.8  
 Total Output Wattage (W): 17.8  
 Dimming: Non-Dimming / Phase Dimming (120Vac only) / 0-10V Dimming  
 Driver Included: Yes  
 Driver Location: Integrated  
 Driver Type: Constant Current - Universal  
 Driver Class: Class 2  
 Input Voltage (V): 120 - 277  
 Constant Current (mA): 350

#### LED

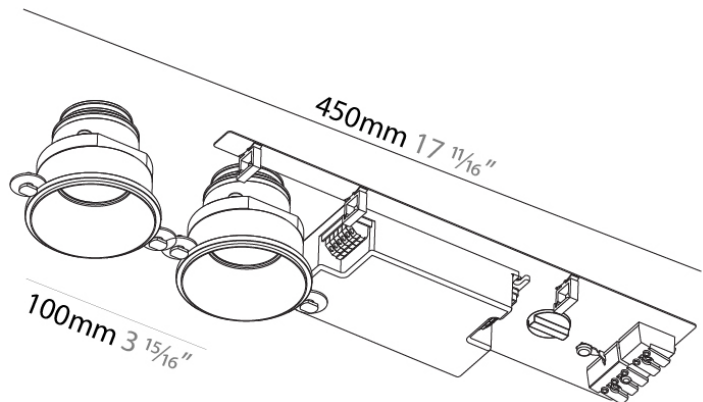
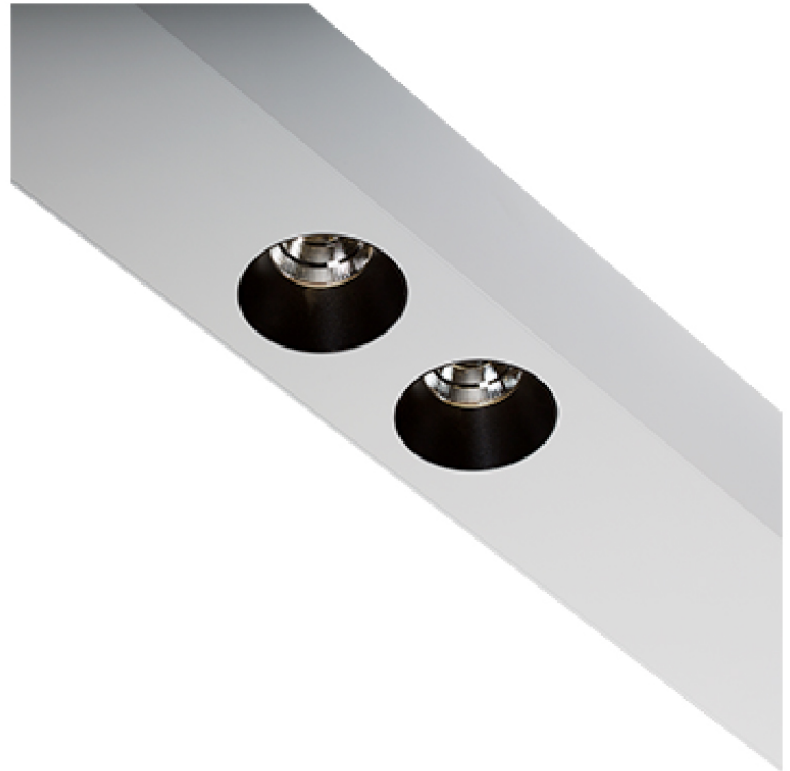
Delivered Lumen Range: 1000 - 1999 lm  
 Color Temperature (°K): 2700 / 3000 / 3500 / 4000  
 Max. Delivered Lumen (lm): 1320 / 1370 / 1441 / 1470  
 Nominal Lumen (lm): 1966 / 2040 / 2144 / 2188  
 CRI: >90 CRI  
 Efficiency (%): 88.4  
 Lamp Life (hrs): 50000

#### OPTICAL

Reflector°: 20 / 40 / 60

#### RATINGS AND CERTIFICATIONS

Certified By: Certified for North American Standards  
 IP rating: IP20



## A3ID100-SUR-SYS COMPONENTS

PROJECT
TYPE
NOTES
QUANTITY
DATE

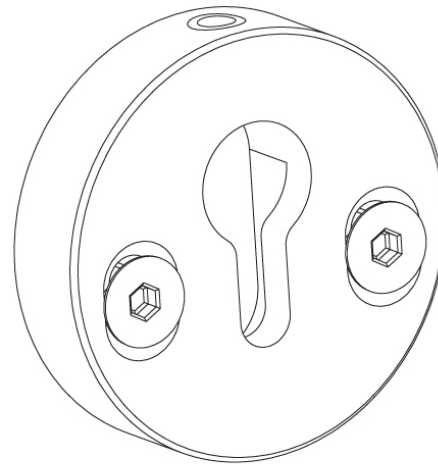
### A39034-

**DESCRIPTION**  
Idaho 75 System - Surface/Suspension - Wall Fastening Spacer

**GENERAL**  
Series: Idaho  
Subseries: Idaho 100  
Brand: Prolicht  
Division: Architectural

**PHYSICAL**  
Shape: Round  
Diameter (mm): 38  
Diameter (in): 1 1/2  
Width (mm): 10  
Width (in): 3/8  
Height (mm): 10  
Height (in): 3/8  
Fixture Finish: ANA / SSR / BKV / CWI / CRY / HAB / MSR / UFT / ITA / RUA / OGR / FTG / MYG / RWR / LOD / PUS / FRO / FUP / KIA / POP / BLS / SPG / MEY / GOH / GUM / CHC / COM / ABZ / JAG / OBR / MOS / ROR  
Fixture Material: Aluminum

**RATINGS AND CERTIFICATIONS**  
Certified By: Certified for North American Standards  
IP rating: IP20



max. distance: 1500mm 59 1/16"



PROJECT
TYPE
NOTES
QUANTITY
DATE

## A3ID100-SUR-SYS COMPONENTS

### A3903500

#### DESCRIPTION

Idaho 75 System - Surface/Suspension - Wall Fastening Key Hole Milling

#### GENERAL

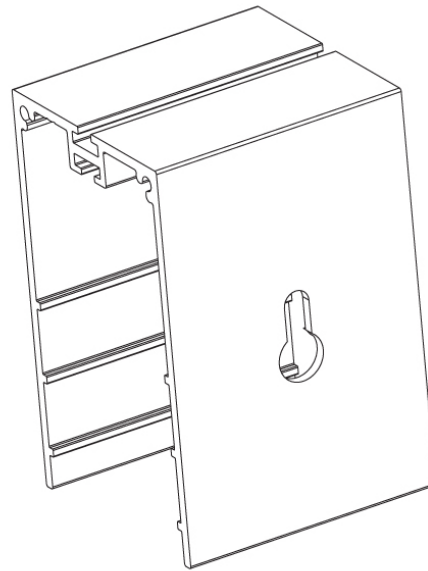
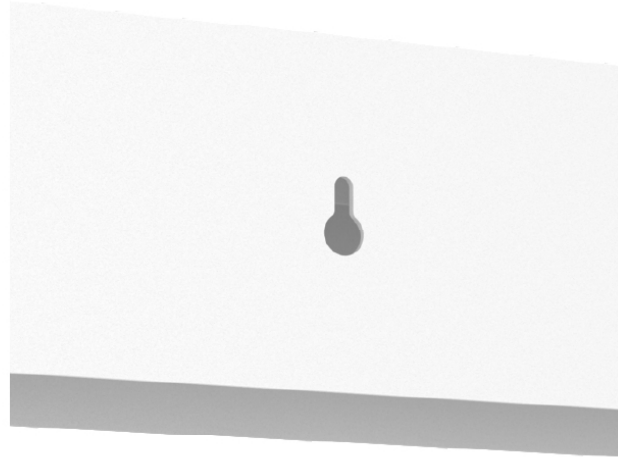
Series: Idaho  
Subseries: Idaho 100  
Brand: Prolicht  
Division: Architectural

#### PHYSICAL

Shape: Rectangle  
Installation Requirement: Max Distance: 1500mm / 59 1/16"  
Fixture Material: Aluminum

#### RATINGS AND CERTIFICATIONS

Certified By: Certified for North American Standards  
IP rating: IP20



max. distance: 1500mm 59 1/16"



PROJECT	_____
TYPE	_____
NOTES	_____
QUANTITY	_____
DATE	_____

## A3ID100-SUR-SYS COMPONENTS

### A3992300

#### DESCRIPTION

Idaho 100 System - Opal Diffuser per Meter - Max 3000mm / 118 1/8"

#### GENERAL

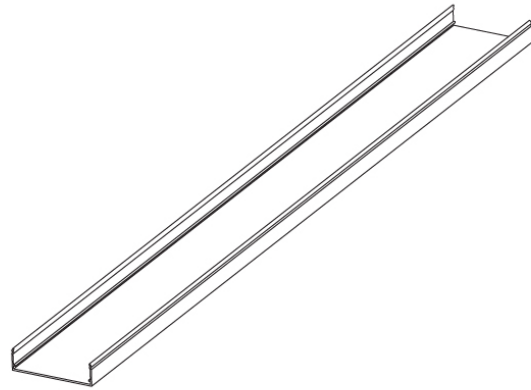
Series: Idaho \_\_\_\_\_  
Subseries: Idaho 100 \_\_\_\_\_  
Brand: Prolicht \_\_\_\_\_  
Division: Architectural \_\_\_\_\_

#### PHYSICAL

Shape: Rectangle \_\_\_\_\_  
Length (mm): 1000 \_\_\_\_\_  
Length (in): 39 3/8 \_\_\_\_\_  
Width (mm): 99 \_\_\_\_\_  
Width (in): 3 7/8 \_\_\_\_\_  
Height (mm): 27 \_\_\_\_\_  
Height (in): 1 1/16 \_\_\_\_\_  
Weight (kg): 0.34 \_\_\_\_\_  
Weight (lbs): 0.75 \_\_\_\_\_  
Diffuser: PMMA - Opal \_\_\_\_\_

#### RATINGS AND CERTIFICATIONS

Certified By: Certified for North American Standards \_\_\_\_\_  
IP rating: IP20 \_\_\_\_\_



max. 3000mm 118 1/8"



PROJECT
TYPE
NOTES
QUANTITY
DATE

## A3ID100-SUR-SYS COMPONENTS RECESSED

### A39924-

#### DESCRIPTION

Idaho 100 System - Recessed / Surface / Suspension Aluminum Cap Profile - Max 3000mm / 118 1/8"

#### GENERAL

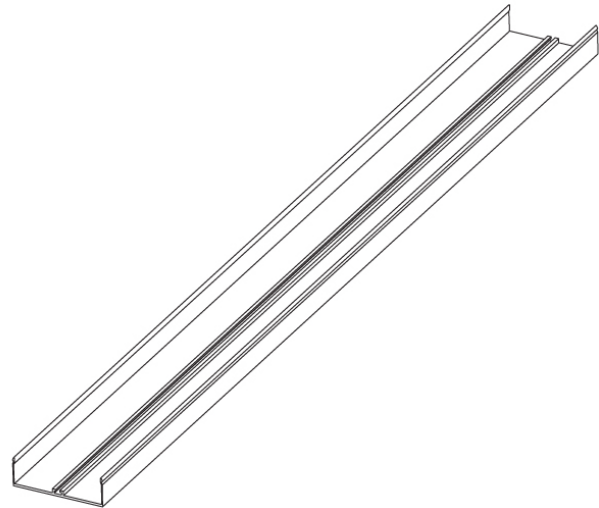
Series: Idaho  
 Subseries: Idaho 100  
 Brand: Prolicht  
 Division: Architectural  
 Mounting Type: Recessed  
 Mounting Location: Ceiling  
 Subcategory: Profile

#### PHYSICAL

Shape: Rectangle  
 Length (mm): 1000  
 Length (in): 39 3/8  
 Width (mm): 99  
 Width (in): 3 7/8  
 Height (mm): 27  
 Height (in): 1 1/16  
 Weight (kg): 0.363  
 Weight (lbs): 0.8  
 Fixture Finish: ANA / SSR / BKV / CWI / CRY / HAB / MSR / UFT / ITA / RUA / OGR / FTG / MYG / RWR / LOD / PUS / FRO / FUP / KIA / POP / BLS / SPG / MEY / GOH / GUM / CHC / COM / ABZ / JAG / OBR / MOS / ROR  
 Fixture Material: Aluminum

#### RATINGS AND CERTIFICATIONS

Certified By: Certified for North American Standards  
 IP rating: IP20



max. 3000mm 118 1/8"



PROJECT	_____
TYPE	_____
NOTES	_____
QUANTITY	_____
DATE	_____

## A3ID100-SUR-SYS COMPONENTS

### A3992500

#### DESCRIPTION

Idaho 100 System - Linear Coupler

#### GENERAL

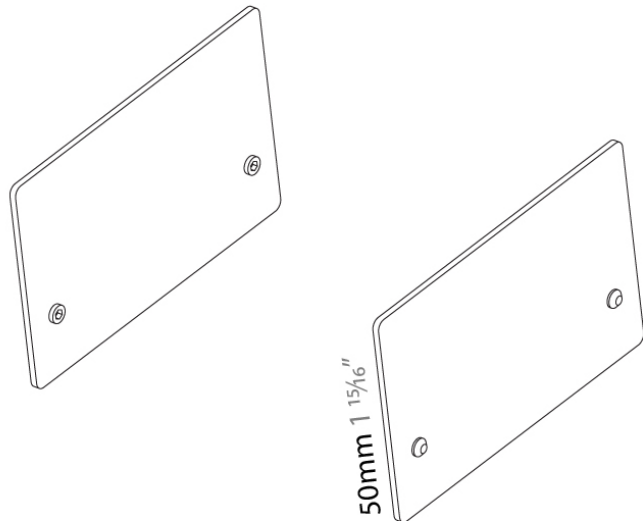
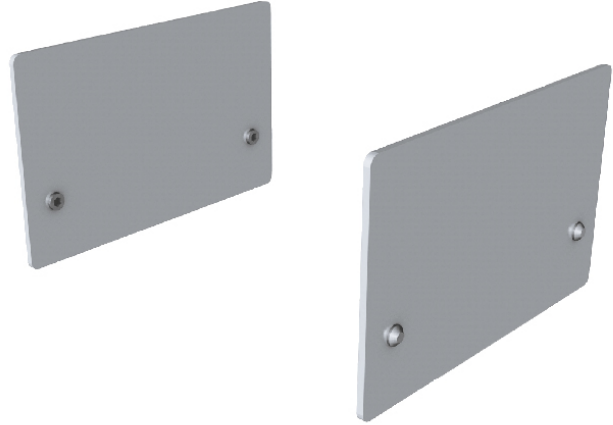
Series: Idaho  
Subseries: Idaho 100  
Brand: Prolicht  
Division: Architectural

#### PHYSICAL

Shape: Rectangle  
Length (mm): 200  
Length (in): 7 <sup>7</sup>/<sub>8</sub>  
Width (mm): 98  
Width (in): 3 <sup>7</sup>/<sub>8</sub>  
Height (mm): 50  
Height (in): 1 <sup>15</sup>/<sub>16</sub>  
Weight (kg): 0.1  
Weight (lbs): 0.22  
Fixture Material: Aluminum

#### RATINGS AND CERTIFICATIONS

Certified By: Certified for North American Standards  
IP rating: IP20





### LEGEND

	floor-mounted		pivotal		special LED (upon request) RGB, RGBW, tunable, gold+, meat+, art+, fashion+
	wall and ceiling: recessed and surface mounted		rotating		warm dim / natural dimming LED
	ceiling-mounted and wall-mounted		illuminate tilted		rechargeable battery powered
	wall-mounted		color of suspension cable		fixture with natural vivid LED (upon request)
	omni-directional light distribution		length of suspension cable		color rendering index
	direct light distribution		reflector degree selection		color temperature
	direct/indirect light distribution		super spot		lumen (luminous flux)
	indirect light distribution		lens		efficacy (lumens per watt)
	asymmetric light distribution		lens pack		Unified Glare Rating (UGR) range from 5-40
	aura light distribution		shine ring		marine grade (AISI 316 stainless steel)
	round wall or ceiling cut-out		integrated shine ring with diffuser		walk on
	square wall or ceiling cut-out		free individual colors 01-29		drive on
	the supplied jig specifies the cutout dimensions		individual colors: 00 (free of charge), 01-25 (extra charge)		Dark Sky Compliance
	minimum distance (meters) lamp - object		luminaire part to be colored (F1)		Americans with Disabilities Act (less than 4" off the wall located between 27"-84" from floor)
	recessed depth		luminaire part to be colored (F2)		lamp protected against explosion
	ceiling thickness in mm		luminaire part to be colored (F3)		blown glass using traditional methods by master glass blower
	ceiling thickness selection		luminaire part to be colored (F4)		acoustic material
	dimnable DP (phase), DV (0-10V), DD (dali), DS (step-dim)		luminaire part to be colored (F5)		protection class I, protection insulation
	included or excluded LED driver/transformer/control gear		color of 3-circuit adaptor		protection class II, protection insulation
	separately switchable		indirect diffuser		ETL Certified to UL and CSA Standards
	sensor		direct diffuser		UL Certified to UL and CSA Standards
	remote control		ball-proof (upon request)		CSA Certified to UL and CSA Standards
	available upon request		accessory		Certified for North American Standards

### IP RATING

	protected against ingress of solid bodies greater than 12.5mm (finger)
	protected against ingress of solid bodies greater than 2.5mm protected against sprays of water up to 60 degrees from the vertical (rain)
	protected against ingress of solid bodies greater than 1mm (wire) no protection against the ingress of moisture
	protected against ingress of solid bodies greater than 1mm (wire) protected against sprays of water up to 60 degrees from the vertical (rain)
	protected against ingress of solid bodies greater than 1mm (wire) protected against water splashed from all directions
	protected against limited ingress of dust (wet rooms/covered outdoor areas) protected against water splashed from all directions
	protected against ingress of dust protected against jets of water
	protected against ingress of dust protected against powerful jets of water or heavy seas
	protected against ingress of dust protected against immersion of water between 15cm - 1m for 30 minutes
	protected against ingress of dust protected against immersion of water under pressure for long periods

### IK RATING

	protected against 0.14 joules impact (equivalent to 0.25kg mass dropped from 56mm above the surface)
	protected against 0.2 joules impact (equivalent to 0.25kg mass dropped from 80mm above the surface)
	protected against 0.35 joules impact (equivalent to 0.25kg mass dropped from 140mm above the surface)
	protected against 0.5 joules impact (equivalent to 0.25kg mass dropped from 200mm above the surface)
	protected against 0.7 joules impact (equivalent to 0.25kg mass dropped from 280mm above the surface)
	protected against 1 joules impact (equivalent to 0.25kg mass dropped from 400mm above the surface)
	protected against 2 joules impact (equivalent to 0.5kg mass dropped from 400mm above the surface)
	protected against 5 joules impact (equivalent to 1.7kg mass dropped from 300mm above the surface)
	protected against 10 joules impact (equivalent to 5.0kg mass dropped from 200mm above the surface)
	protected against 20 joules impact (equivalent to 5.0kg mass dropped from 400mm above the surface)