

A3ID100-SUS-SYS COMPONENTS SUSPENSION

A30174-

DESCRIPTION

Idaho 100 System - Recessed - Profile per meter - Max 3000mm / 118 1/8"

GENERAL

Series: Idaho _____
 Subseries: Idaho 100 _____
 Partner: Prolight _____
 Division: Architectural _____
 Installation: Suspension _____
 Product Type: Linear Profiles _____
 Mounting Location: Ceiling _____

PHYSICAL

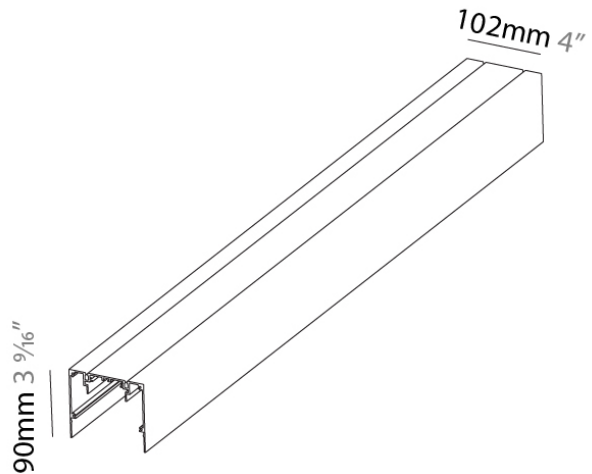
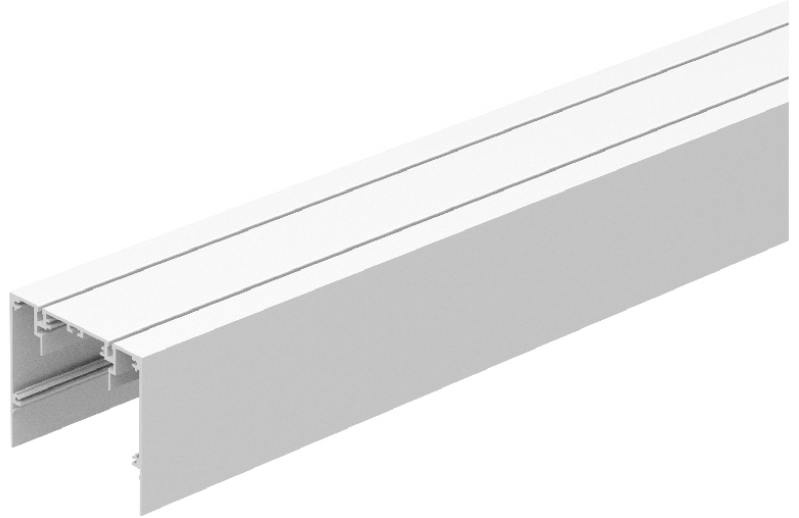
Shape: Rectangle _____
 Length (mm): 1000 _____
 Length (in): 39 3/8 _____
 Width (mm): 102 _____
 Width (in): 4 _____
 Height (mm): 90 _____
 Height (in): 3 9/16 _____
 Weight (kg): 2.25 _____
 Weight (lbs): 4.96 _____
 Fixture Finish: ANA / SSR / BKV / CWI / CRY / HAB / MSR / UFT / ITA / RUA / OGR / FTG / MYG / RWR / LOD / PUS / FRO / FUP / KIA / POP / BLS / SPG / MEY / GOH / CHC / COM / ABZ / JAG / OBR / MOS / ROR _____
 Fixture Material: Aluminum _____

ELECTRICAL

Lamp Type: LED (Zhaga Standard) _____

RATINGS AND CERTIFICATIONS

Certified By: Certified for North American Standards _____
 IP rating: IP20 _____



A3ID100-SUS-SYS COMPONENTS

PROJECT
TYPE
NOTES
QUANTITY
DATE

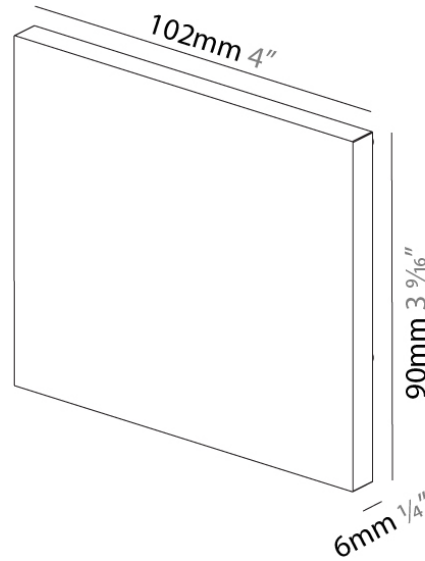
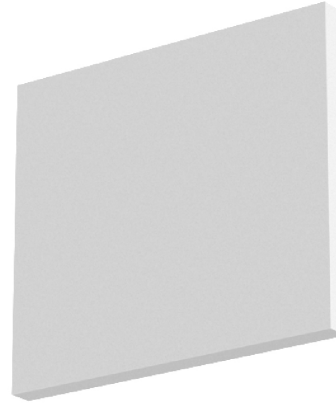
A380009-

DESCRIPTION
Idaho 100 System - Surface/Suspension Profile End Cap

GENERAL
Series: Idaho
Subseries: Idaho 100
Partner: Prolicht
Division: Architectural

PHYSICAL
Shape: Rectangle
Length (mm): 102
Length (in): 4
Width (mm): 6
Width (in): 1/4
Height (mm): 90
Height (in): 3 9/16
Weight (kg): 0.179
Weight (lbs): 0.39
Fixture Finish: SSR / BKV / CWI / CRY / HAB / UFT / ITA / RUA / FTG / MYG / LOD / PUS / FRO / FUP / KIA / POP / BLS / SPG / MEY / GOH / CHC / COM / ABZ / JAG / OBR / MOS / ROR
Fixture Material: Aluminum

RATINGS AND CERTIFICATIONS
Certified By: Certified for North American Standards
IP rating: IP20



PROJECT
TYPE
NOTES
QUANTITY
DATE

A3ID100-SUS-SYS COMPONENTS

A38172-

DESCRIPTION

Idaho 100 System - Light Insert - 1140mm - 20W / 12.8W [O/P] (3500K) - LED (Zhaga Standard) - 3000K / 3500K / 4000K

GENERAL

Series: Idaho
 Subseries: Idaho 100
 Partner: Prolicht
 Division: Architectural
 Light Distribution: Direct

PHYSICAL

Shape: Rectangle
 Length (mm): 1140
 Length (in): 44 7/8
 Width (mm): 87
 Width (in): 3 7/16
 Height (mm): 65
 Height (in): 2 9/16
 Weight (kg): 2.424
 Weight (lbs): 5.34
 Fixture Material: Metal

ELECTRICAL

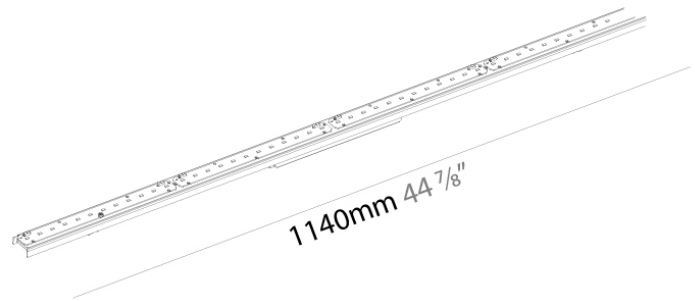
Input Wattage Range: 20 - 29 W
 Lamp Type: LED (Zhaga Standard)
 Input Wattage (W): 20
 Total Output Wattage (W): 16 / 12.8 (3500K)
 Dimming: Non-Dimming / Phase Dimming (120Vac only) / 0-10V Dimming
 Driver Included: Yes
 Driver Location: Integrated
 Driver Type: Constant Current - 120 / 277Vac
 Driver Class: Class 2
 Input Voltage (V): 120 - 277
 Constant Current (MA): 350 / 400 (3500K)

LED

Delivered Lumen Range: 2000 - 2999 lm
 Color Temperature (°K): 3000 / 3500 / 4000
 Max. Delivered Lumen (lm): 2175 / 2252 / 2298
 Nominal Lumen (lm): 2840 / 2940 / 3000
 CRI: >80 CRI
 Efficiency (%): 0.72
 Lamp Life (hrs): 50000
 Upon Request: Special Color Temperature RGB-W Tunable White CRI (no minimum qty) price increase + longer lead time

RATINGS AND CERTIFICATIONS

Certified By: Certified for North American Standards
 IP rating: IP20



PROJECT
TYPE
NOTES
QUANTITY
DATE

A3ID100-SUS-SYS COMPONENTS

A38176-

DESCRIPTION

Idaho 100 System - Light Insert - 1420mm/55 7/8" - 25W / 16W [O/P] (3500K) - LED (Zhaga Standard) - 3000K / 3500K / 4000K

GENERAL

Series: Idaho
 Subseries: Idaho 100
 Partner: Prolight
 Division: Architectural
 Light Distribution: Direct

PHYSICAL

Shape: Rectangle
 Length (mm): 1420
 Length (in): 55 7/8
 Width (mm): 87
 Width (in): 3 7/16
 Height (mm): 65
 Height (in): 2 9/16
 Weight (kg): 2.75
 Weight (lbs): 6.06
 Fixture Material: Metal

ELECTRICAL

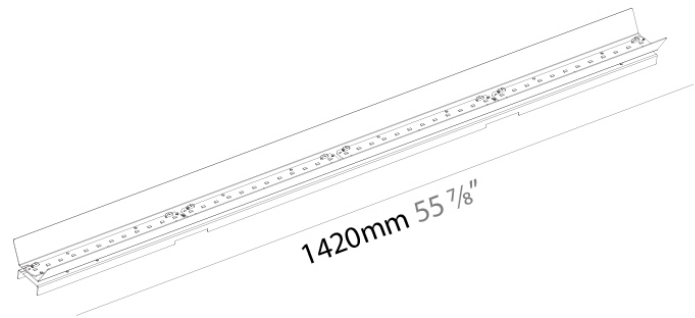
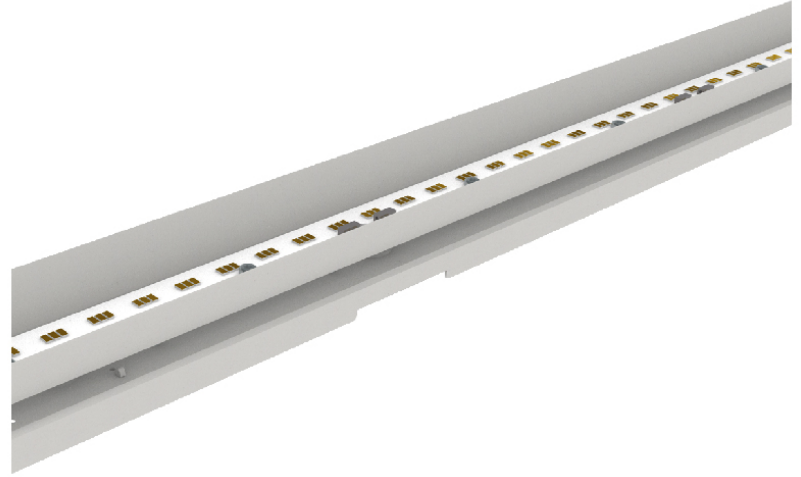
Input Wattage Range: 20 - 29 W
 Lamp Type: LED (Zhaga Standard)
 Input Wattage (W): 25
 Total Output Wattage (W): 20 / 16 (3500K)
 Dimming: Non-Dimming / Phase Dimming (120Vac only) / 0-10V Dimming
 Driver Included: Yes
 Driver Location: Integrated
 Driver Type: Constant Current - 120 / 277Vac
 Driver Class: Class 2
 Input Voltage (V): 120 - 277
 Constant Current (mA): 350 / 500 (3500K)

LED

Delivered Lumen Range: 2000 - 2999 lm
 Color Temperature (°K): 3000 / 3500 / 4000
 Max. Delivered Lumen (lm): 2719 / 2815 / 2872
 Nominal Lumen (lm): 3550 / 3675 / 3750
 CRI: >80 CRI
 Efficiency (%): 0.72
 Lamp Life (hrs): 50000
 Upon Request: Special Color Temperature RGB-W Tunable White CRI (no minimum qty) price increase + longer lead time

RATINGS AND CERTIFICATIONS

Certified By: Certified for North American Standards
 IP rating: IP20



PROJECT
TYPE
NOTES
QUANTITY
DATE

A3ID100-SUS-SYS COMPONENTS

A38180-

DESCRIPTION

Idaho 100 System - Light Insert - 1700mm - 30W / 19.2W [O/P] (3500K) - LED (Zhaga Standard) - 3000K / 3500K / 4000K

GENERAL

Series: Idaho
 Subseries: Idaho 100
 Partner: Prolight
 Division: Architectural
 Light Distribution: Direct

PHYSICAL

Shape: Rectangle
 Length (mm): 1700
 Length (in): 66 ¹⁵/₁₆
 Width (mm): 87
 Width (in): 3 ⁷/₁₆
 Height (mm): 65
 Height (in): 2 ⁹/₁₆
 Weight (kg): 3.2
 Weight (lbs): 7.05
 Fixture Material: Metal

ELECTRICAL

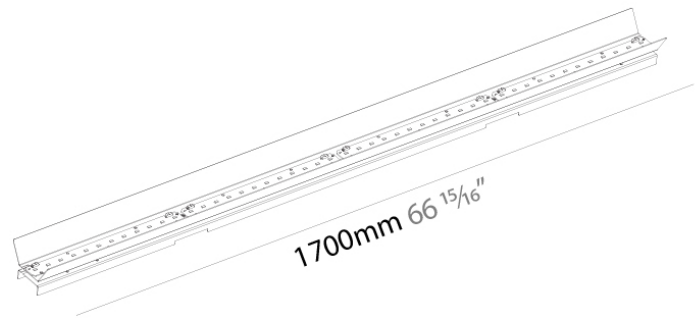
Input Wattage Range: 30 - 49 W
 Lamp Type: LED (Zhaga Standard)
 Input Wattage (W): 30
 Total Output Wattage (W): 24 / 19.2 (3500K)
 Dimming: Non-Dimming / Phase Dimming (120Vac only) / 0-10V Dimming
 Driver Included: Yes
 Driver Location: Integrated
 Driver Type: Constant Current - 120 / 277Vac
 Driver Class: Class 2
 Input Voltage (V): 120 - 277
 Constant Current (MA): 350 / 600 (3500K)

LED

Delivered Lumen Range: 2000 - 3999 lm
 Color Temperature (°K): 3000 / 3500 / 4000
 Max. Delivered Lumen (lm): 3263 / 3378 / 3447
 Nominal Lumen (lm): 4260 / 4410 / 4500
 CRI: >80 CRI
 Efficiency (%): 0.72
 Lamp Life (hrs): 50000
 Upon Request: Special Color Temperature RGB-W Tunable White CRI (no minimum qty) price increase + longer lead time

RATINGS AND CERTIFICATIONS

Certified By: Certified for North American Standards
 IP rating: IP20



PROJECT
TYPE
NOTES
QUANTITY
DATE

A3ID100-SUS-SYS COMPONENTS

A38184-

DESCRIPTION

Idaho 100 System - Idaline Light Insert - 1980mm / 77 15/16" - 34.3W / 22.4W [O/P] (3500K) - LED (Zhaga Standard) - 3000K / 3500K / 4000K - Dimmable.

GENERAL

Series: Idaho
 Subseries: Idaho 100
 Partner: Prolicht
 Division: Architectural
 Light Distribution: Direct

PHYSICAL

Shape: Rectangle
 Length (mm): 1980
 Length (in): 77 15/16
 Width (mm): 87
 Width (in): 3 7/16
 Height (mm): 65
 Height (in): 2 9/16
 Weight (kg): 3.7
 Weight (lbs): 8.16
 Fixture Material: Metal

ELECTRICAL

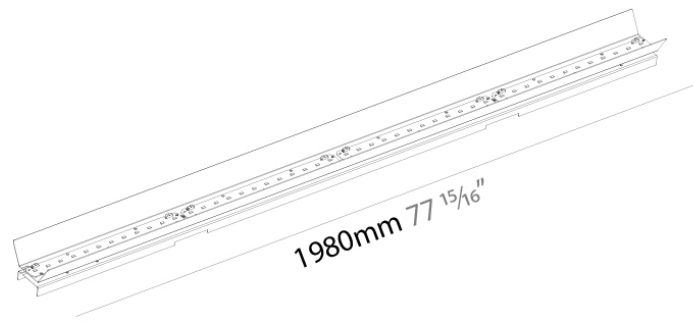
Input Wattage Range: 30 - 49 W
 Lamp Type: LED (Zhaga Standard)
 Input Wattage (W): 34.3
 Total Output Wattage (W): 28 / 22.4 (3500K)
 Dimming: 0-10V Dimming / Phase Dimming (120Vac Only)
 Driver Included: Yes
 Driver Location: Integrated
 Driver Type: Constant Current - 120 / 277Vac
 Driver Class: Class 2
 Input Voltage (V): 120 - 277
 Constant Current (MA): 350 / 700 (3500K)

LED

Delivered Lumen Range: 2000 - 3999 lm
 Color Temperature (°K): 3000 / 3500 / 4000
 Max. Delivered Lumen (lm): 3467 / 3529 / 3601
 Nominal Lumen (lm): 4527 / 4608 / 4702
 CRI: >90 CRI
 Efficiency (%): 0.72
 Lamp Life (hrs): 50000
 Upon Request: Special Color Temperature RGB-W Tunable White CRI (no minimum qty) price increase + longer lead time

RATINGS AND CERTIFICATIONS

Certified By: Certified for North American Standards
 IP rating: IP20



PROJECT
TYPE
NOTES
QUANTITY
DATE

A3ID100-SUS-SYS COMPONENTS

A38188-

DESCRIPTION

Idaho 100 System - Light Insert - 2270mm / 89 3/8" - 39.2W LED (Zhaga Standard) - 3000K / 3500K / 4000K - Dimmable

GENERAL

Series: Idaho
 Subseries: Idaho 100
 Partner: Prolight
 Division: Architectural
 Light Distribution: Direct

PHYSICAL

Shape: Rectangle
 Length (mm): 2270
 Length (in): 89 3/8
 Width (mm): 87
 Width (in): 3 7/16
 Height (mm): 65
 Height (in): 2 9/16
 Weight (kg): 4.181
 Weight (lbs): 9.22
 Fixture Material: Metal

ELECTRICAL

Input Wattage Range: 30 - 49 W
 Lamp Type: LED (Zhaga Standard)
 Input Wattage (W): 39.2
 Total Output Wattage (W): 32 / 22.4 (3500K)
 Dimming: 0-10V Dimming / Phase Dimming (120Vac Only)
 Driver Included: Yes
 Driver Location: Integrated
 Driver Type: Constant Current - 120 / 277Vac
 Driver Class: Class 2
 Input Voltage (V): 120 - 277
 Constant Current (mA): 350 / 800 (3500K)

LED

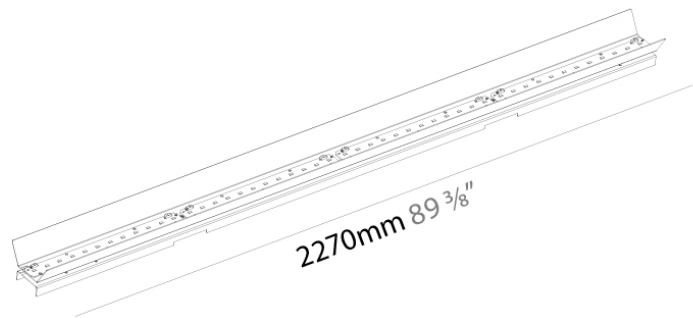
Delivered Lumen Range: 3000 - 4999 lm
 Color Temperature (°K): 3000 / 3500 / 4000
 Max. Delivered Lumen (lm): 3963 / 4034 / 4116
 Nominal Lumen (lm): 5173 / 5266 / 5373
 CRI: >90 CRI
 Efficiency (%): 0.72
 Lamp Life (hrs): 50000
 Upon Request: Special Color Temperature RGB-W Tunable White CRI (no minimum qty) price increase + longer lead time

OPTICAL

Beam Angle: 78

RATINGS AND CERTIFICATIONS

Certified By: Certified for North American Standards
 IP rating: IP20



PROJECT	
TYPE	
NOTES	
QUANTITY	
DATE	

A3ID100-SUS-SYS COMPONENTS

A38608-

DESCRIPTION

Idaho 100 System - 1 Spot Light Insert - 9.9W LED (Zhaga Standard) - 2700K / 3000K / 3500K / 4000K - Reflectors 20° / 40° / 60°

GENERAL

Series: Idaho
 Subseries: Idaho 100
 Partner: Prolicht
 Division: Architectural
 Product Type: Spots
 Light Distribution: Direct

PHYSICAL

Length (mm): 350
 Length (in): 13 3/4
 Width (mm): 86
 Width (in): 3 3/8
 Height (mm): 68
 Height (in): 2 11/16
 Weight (kg): 0.459
 Weight (lbs): 1.01
 Fixture Finish: SSR / BKV / CWI / CRY / HAB / UFT / ITA / RUA / FTG / MYG / LOD / PUS / FRO / FUP / KIA / POP / BLS / SPG / MEY / GOH / CHC / COM / ABZ / JAG / OBR / MOS / ROR
 Fixture Material: Aluminum Die Cast

ELECTRICAL

Input Wattage Range: 10 - 19 W
 Lamp Type: LED (Zhaga Standard)
 Input Wattage (W): 9.9
 Total Output Wattage (W): 8.9
 Dimming: Non-Dimming / Phase Dimming (120Vac only) / 0-10V Dimming
 Driver Included: Yes
 Driver Location: Integrated
 Driver Type: Constant Current - Universal
 Driver Class: Class 2
 Input Voltage (V): 120 - 277
 Constant Current (mA): 350

LED

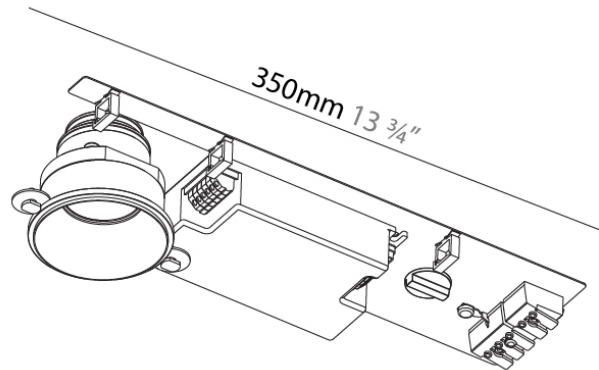
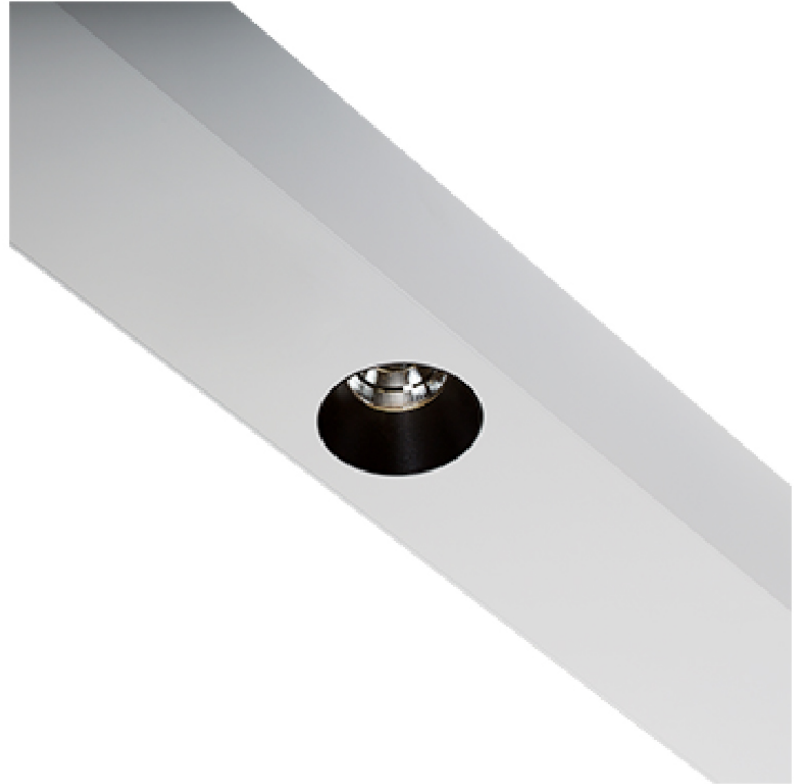
Delivered Lumen Range: 500 - 999 lm
 Color Temperature (°K): 2700 / 3000 / 3500 / 4000
 Max. Delivered Lumen (lm): 660 / 680 / 715 / 730
 Nominal Lumen (lm): 983 / 1020 / 1072 / 1094
 CRI: >90 CRI
 Efficiency (%): 0.884
 Lamp Life (hrs): 50000

OPTICAL

Reflector: 20 / 40 / 60

RATINGS AND CERTIFICATIONS

Certified By: Certified for North American Standards
 IP rating: IP20



PROJECT	
TYPE	
NOTES	
QUANTITY	
DATE	

A3ID100-SUS-SYS COMPONENTS

A38611-

DESCRIPTION

Idaho 100 System - 2 Spot Light Insert - 19.8W LED (Zhaga Standard) - 2700K / 3000K / 3500K / 4000K - Reflectors 20° / 40° / 60°

GENERAL

Series: Idaho
 Subseries: Idaho 100
 Partner: Prolicht
 Division: Architectural
 Product Type: Spots
 Light Distribution: Direct

PHYSICAL

Length (mm): 450
 Length (in): 17 ¹¹/₁₆
 Width (mm): 86
 Width (in): 3 ³/₈
 Height (mm): 68
 Height (in): 2 ¹¹/₁₆
 Weight (kg): 0.66
 Weight (lbs): 1.46
 Fixture Finish: SSR / BKV / CWI / CRY / HAB / UFT / ITA / RUA / FTG / MYG / LOD / PUS / FRO / FUP / KIA / POP / BLS / SPG / MEY / GOH / CHC / COM / ABZ / JAG / OBR / MOS / ROR
 Fixture Material: Aluminum

ELECTRICAL

Input Wattage Range: 10 - 19 W
 Lamp Type: LED (Zhaga Standard)
 Input Wattage (W): 19.8
 Total Output Wattage (W): 17.8
 Dimming: Non-Dimming / Phase Dimming (120Vac only) / 0-10V Dimming
 Driver Included: Yes
 Driver Location: Integrated
 Driver Type: Constant Current - Universal
 Driver Class: Class 2
 Input Voltage (V): 120 - 277
 Constant Current (mA): 350

LED

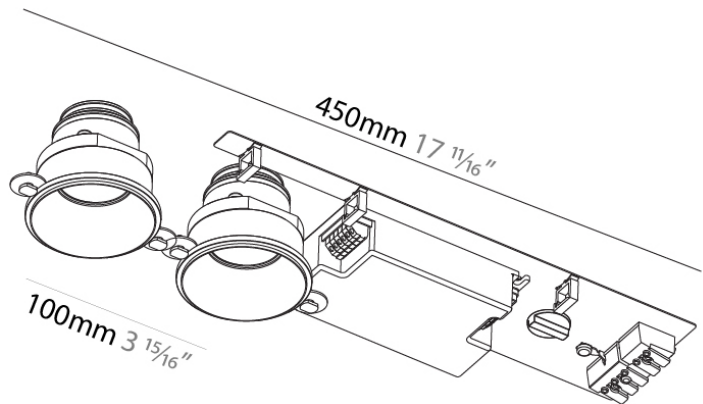
Delivered Lumen Range: 1000 - 1999 lm
 Color Temperature (°K): 2700 / 3000 / 3500 / 4000
 Max. Delivered Lumen (lm): 1320 / 1370 / 1441 / 1470
 Nominal Lumen (lm): 1966 / 2040 / 2144 / 2188
 CRI: >90 CRI
 Efficiency (%): 88.4
 Lamp Life (hrs): 50000

OPTICAL

Reflector°: 20 / 40 / 60

RATINGS AND CERTIFICATIONS

Certified By: Certified for North American Standards
 IP rating: IP20



A3ID100-SUS-SYS COMPONENTS

PROJECT	_____
TYPE	_____
NOTES	_____
QUANTITY	_____
DATE	_____

A39013-

DESCRIPTION

Suspension Power Feed 3x0.75, 2000mm

GENERAL

Partner: Prolight

Division: Architectural

PHYSICAL

Shape: Round

Diameter (mm): 120

Diameter (in): 4 ³/₄

Length (mm): 2000

Length (in): 78 ³/₄

Width (mm): 120

Width (in): 4 ³/₄

Height (mm): 30

Height (in): 1 ¹/₁₆

Weight (kg): 0.3

Weight (lbs): 0.66

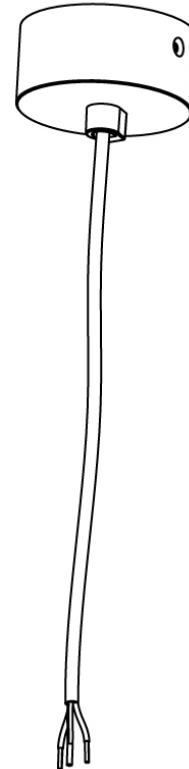
Fixture Finish: ANA / SSR / BKV / CWI / CRY / HAB / MSR / UFT / ITA /
RUA / OGR / FTG / MYG / RWR / LOD / PUS / FRO / FUP / KIA / POP /
BLS / SPG / MEY / GOH / CHC / COM / ABZ / JAG / OBR / MOS / ROR

Fixture Material: Aluminum

RATINGS AND CERTIFICATIONS

Certified By: Certified for North American Standards

IP rating: IP20



A3ID100-SUS-SYS COMPONENTS

PROJECT	_____
TYPE	_____
NOTES	_____
QUANTITY	_____
DATE	_____

A39014-

DESCRIPTION

Suspension Power Feed 5x0.75 - 2000mm

GENERAL

Partner: Prolicht

Division: Architectural

PHYSICAL

Shape: Round

Diameter (mm): 120

Diameter (in): 4 ³/₄

Length (mm): 2000

Length (in): 78 ³/₄

Width (mm): 120

Width (in): 4 ³/₄

Height (mm): 30

Height (in): 1 ¹/₁₆

Weight (kg): 0.3

Weight (lbs): 0.661

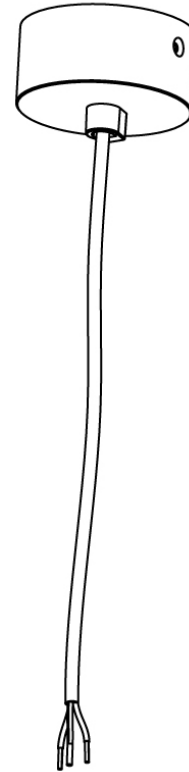
Fixture Finish: ANA / SSR / BKV / CWI / CRY / HAB / MSR / UFT / ITA / RUA / OGR / FTG / MYG / RWR / LOD / PUS / FRO / FUP / KIA / POP / BLS / SPG / MEY / GOH / CHC / COM / ABZ / JAG / OBR / MOS / ROR

Fixture Material: Aluminum

RATINGS AND CERTIFICATIONS

Certified By: Certified for North American Standards

IP rating: IP20



A

PROJECT	_____
TYPE	_____
NOTES	_____
QUANTITY	_____
DATE	_____

A3ID100-SUS-SYS COMPONENTS

A39015-

DESCRIPTION

Suspension Power Feed 4x0.75 2000mm 2 Circuits Phase Dimming

GENERAL

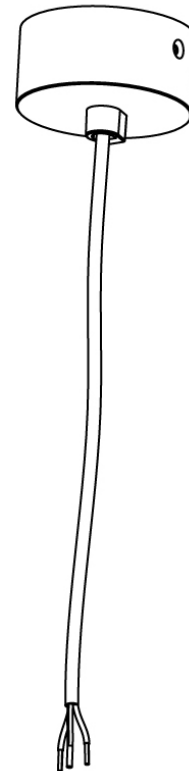
Partner: Prolight
 Division: Architectural

PHYSICAL

Shape: Round
 Diameter (mm): 120
 Diameter (in): 4 ³/₄
 Length (mm): 6000
 Length (in): 236 ¹/₄
 Width (mm): 120
 Width (in): 4 ³/₄
 Height (mm): 30
 Height (in): 1 ³/₁₆
 Weight (kg): 0.118
 Weight (lbs): 0.26
 Fixture Finish: ANA / SSR / BKV / CWI / CRY / HAB / MSR / UFT / ITA / RUA / OGR / FTG / MYG / RWR / LOD / PUS / FRO / FUP / KIA / POP / BLS / SPG / MEY / GOH / CHC / COM / ABZ / JAG / OBR / MOS / ROR
 Fixture Material: Aluminum

RATINGS AND CERTIFICATIONS

Certified By: Certified for North American Standards
 IP rating: IP20



A3ID100-SUS-SYS COMPONENTS

PROJECT	_____
TYPE	_____
NOTES	_____
QUANTITY	_____
DATE	_____

A39016-

DESCRIPTION
Suspension Power Feed 3x0.75, 6000mm

GENERAL

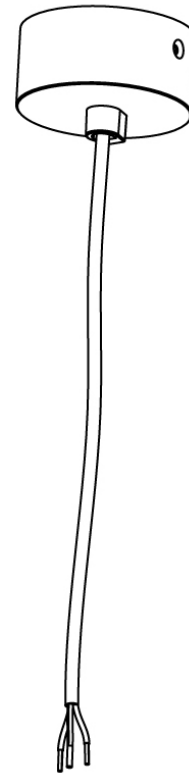
Partner: Prolight
Division: Architectural

PHYSICAL

Shape: Round
Diameter (mm): 120
Diameter (in): 4 ³/₄
Length (mm): 6000
Length (in): 236 ¹/₄
Width (mm): 120
Width (in): 4 ³/₄
Height (mm): 30
Height (in): 1 ³/₁₆
Weight (kg): 0.117
Weight (lbs): 0.258
Fixture Finish: ANA / SSR / BKV / CWI / CRY / HAB / MSR / UFT / ITA / RUA / OGR / FTG / MYG / RWR / LOD / PUS / FRO / FUP / KIA / POP / BLS / SPG / MEY / GOH / CHC / COM / ABZ / JAG / OBR / MOS / ROR
Fixture Material: Aluminum

RATINGS AND CERTIFICATIONS

Certified By: Certified for North American Standards
IP rating: IP20



A3ID100-SUS-SYS COMPONENTS

PROJECT	_____
TYPE	_____
NOTES	_____
QUANTITY	_____
DATE	_____

A39017-

DESCRIPTION

Suspension Power Feed 5x0.75, 6000mm

GENERAL

Partner: Prolicht

Division: Architectural

PHYSICAL

Shape: Round

Diameter (mm): 120

Diameter (in): 4 ³/₄

Length (mm): 6000

Length (in): 236 ¹/₄

Width (mm): 120

Width (in): 4 ³/₄

Height (mm): 30

Height (in): 1 ³/₁₆

Weight (kg): 0.117

Weight (lbs): 0.258

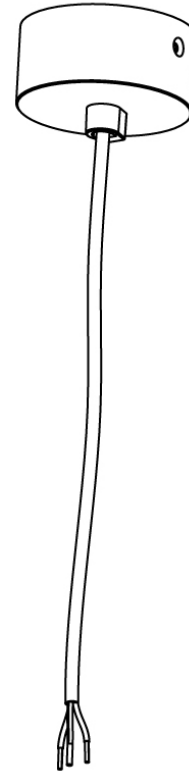
Fixture Finish: ANA / SSR / BKV / CWI / CRY / HAB / MSR / UFT / ITA / RUA / OGR / FTG / MYG / RWR / LOD / PUS / FRO / FUP / KIA / POP / BLS / SPG / MEY / GOH / CHC / COM / ABZ / JAG / OBR / MOS / ROR

Fixture Material: Aluminum

RATINGS AND CERTIFICATIONS

Certified By: Certified for North American Standards

IP rating: IP20



PROJECT	_____
TYPE	_____
NOTES	_____
QUANTITY	_____
DATE	_____

A3ID100-SUS-SYS COMPONENTS

A39018-

DESCRIPTION

Suspension Power Feed 4x0.75, 6000mm 2 Circuits Phase Dimming

GENERAL

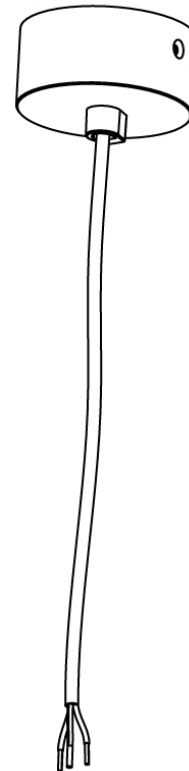
Partner: Prolight
 Division: Architectural

PHYSICAL

Shape: Round
 Diameter (mm): 81
 Diameter (in): 3 ³/₁₆
 Length (mm): 3 3/16
 Length (in): 236 ³/₄
 Width (mm): 81
 Width (in): 3 ⁷/₁₆
 Height (mm): 32
 Height (in): 1 ¹/₄
 Weight (kg): 0.35
 Weight (lbs): 0.77
 Fixture Finish: ANA / SSR / BKV / CWI / CRY / HAB / MSR / UFT / ITA / RUA / OGR / FTG / MYG / RWR / LOD / PUS / FRO / FUP / KIA / POP / BLS / SPG / MEY / GOH / CHC / COM / ABZ / JAG / OBR / MOS / ROR
 Fixture Material: Aluminum

RATINGS AND CERTIFICATIONS

Certified By: Certified for North American Standards
 IP rating: IP20



A3ID100-SUS-SYS COMPONENTS

PROJECT	_____
TYPE	_____
NOTES	_____
QUANTITY	_____
DATE	_____

A3992300

DESCRIPTION

Idaho 100 System - Opal Diffuser per Meter - Max 3000mm / 118 1/8"

GENERAL

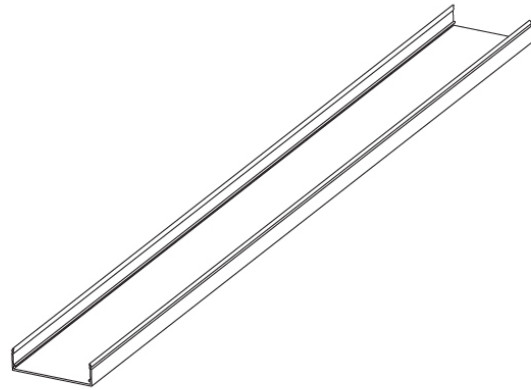
Series: Idaho _____
Subseries: Idaho 100 _____
Partner: Prolicht _____
Division: Architectural _____

PHYSICAL

Shape: Rectangle _____
Length (mm): 1000 _____
Length (in): 39 3/8 _____
Width (mm): 99 _____
Width (in): 3 7/8 _____
Height (mm): 27 _____
Height (in): 1 1/16 _____
Weight (kg): 0.34 _____
Weight (lbs): 0.75 _____
Diffuser: PMMA - Opal _____

RATINGS AND CERTIFICATIONS

Certified By: Certified for North American Standards _____
IP rating: IP20 _____



max. 3000mm 118 1/8"



PROJECT	
TYPE	
NOTES	
QUANTITY	
DATE	

A3ID100-SUS-SYS COMPONENTS RECESSED

A39924-

DESCRIPTION

Idaho 100 System - Recessed / Surface / Suspension Aluminum Cap Profile - Max 3000mm / 118 1/8"

GENERAL

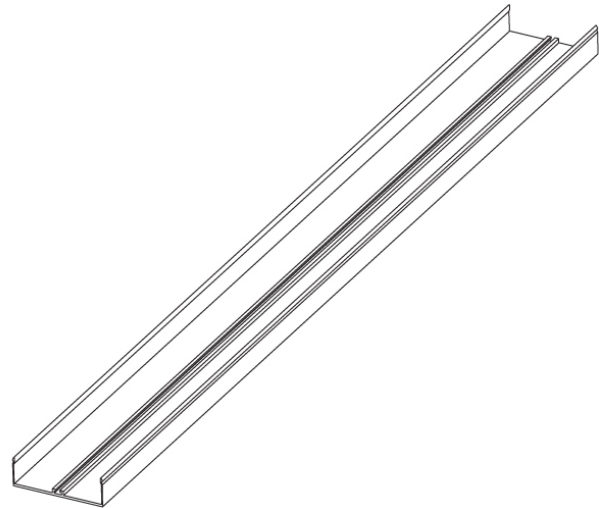
Series: Idaho
 Subseries: Idaho 100
 Partner: Prolicht
 Division: Architectural
 Installation: Recessed
 Product Type: Linear Profiles
 Mounting Location: Ceiling

PHYSICAL

Shape: Rectangle
 Length (mm): 1000
 Length (in): 39 3/8
 Width (mm): 99
 Width (in): 3 7/8
 Height (mm): 27
 Height (in): 1 1/16
 Weight (kg): 0.363
 Weight (lbs): 0.8
 Fixture Finish: ANA / SSR / BKV / CWI / CRY / HAB / MSR / UFT / ITA / RUA / OGR / FTG / MYG / RWR / LOD / PUS / FRO / FUP / KIA / POP / BLS / SPG / MEY / GOH / CHC / COM / ABZ / JAG / OBR / MOS / ROR
 Fixture Material: Aluminum

RATINGS AND CERTIFICATIONS

Certified By: Certified for North American Standards
 IP rating: IP20



max. 3000mm 118 1/8"



A3ID100-SUS-SYS COMPONENTS

PROJECT	_____
TYPE	_____
NOTES	_____
QUANTITY	_____
DATE	_____

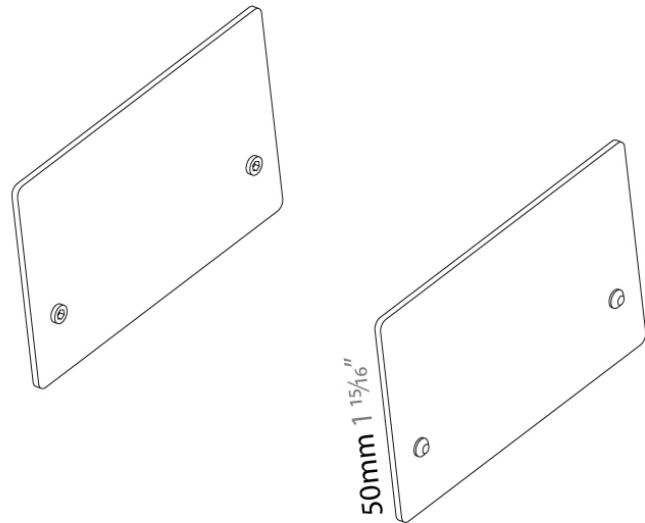
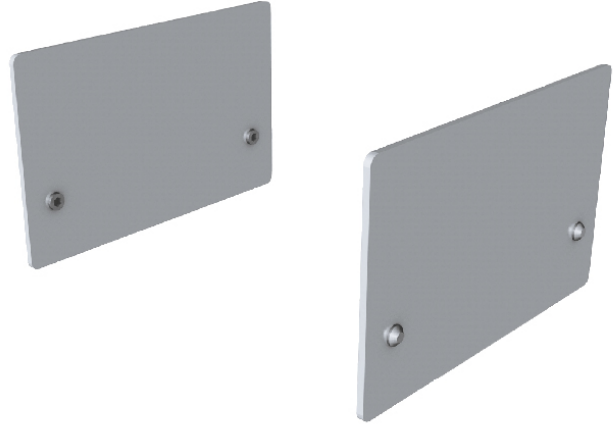
A3992500

DESCRIPTION
Idaho 100 System - Linear Coupler

GENERAL
Series: Idaho
Subseries: Idaho 100
Partner: Prolicht
Division: Architectural

PHYSICAL
Shape: Rectangle
Length (mm): 200
Length (in): 7 7/8
Width (mm): 98
Width (in): 3 7/8
Height (mm): 50
Height (in): 1 15/16
Weight (kg): 0.1
Weight (lbs): 0.22
Fixture Material: Aluminum

RATINGS AND CERTIFICATIONS
Certified By: Certified for North American Standards
IP rating: IP20



LEGEND

	floor-mounted		pivotal		special LED (upon request) RGB, RGBW, tunable, gold+, meat+, art+, fashion+
	wall and ceiling: recessed and surface mounted		rotating		warm dim / natural dimming LED
	ceiling-mounted and wall-mounted		illuminate tilted		rechargeable battery powered
	wall-mounted		color of suspension cable		fixture with natural vivid LED (upon request)
	omni-directional light distribution		length of suspension cable		color rendering index
	direct light distribution		reflector degree selection		color temperature
	direct/indirect light distribution		super spot		lumen (luminous flux)
	indirect light distribution		lens		efficacy (lumens per watt)
	asymmetric light distribution		lens pack		Unified Glare Rating (UGR) range from 5-40
	aura light distribution		shine ring		marine grade (AISI 316 stainless steel)
	round wall or ceiling cut-out		integrated shine ring with diffuser		walk on
	square wall or ceiling cut-out		free individual colors 01-29		drive on
	the supplied jig specifies the cutout dimensions		individual colors: 00 (free of charge), 01-25 (extra charge)		Dark Sky Compliance
	minimum distance (meters) lamp - object		luminaire part to be colored (F1)		Americans with Disabilities Act (less than 4" off the wall located between 27"-84" from floor)
	recessed depth		luminaire part to be colored (F2)		lamp protected against explosion
	ceiling thickness in mm		luminaire part to be colored (F3)		blown glass using traditional methods by master glass blower
	ceiling thickness selection		luminaire part to be colored (F4)		acoustic material
	dimmable DP (phase), DV (0-10V), DD (dali), DS (step-dim)		luminaire part to be colored (F5)		protection class I, protection insulation
	included or excluded LED driver/transformer/control gear		color of 3-circuit adaptor		protection class II, protection insulation
	separately switchable		indirect diffuser		ETL Certified to UL and CSA Standards
	sensor		direct diffuser		UL Certified to UL and CSA Standards
	remote control		ball-proof (upon request)		CSA Certified to UL and CSA Standards
	available upon request		accessory		Certified for North American Standards

IP RATING

	protected against ingress of solid bodies greater than 12.5mm (finger)
	protected against ingress of solid bodies greater than 2.5mm protected against sprays of water up to 60 degrees from the vertical (rain)
	protected against ingress of solid bodies greater than 1mm (wire) no protection against the ingress of moisture
	protected against ingress of solid bodies greater than 1mm (wire) protected against sprays of water up to 60 degrees from the vertical (rain)
	protected against ingress of solid bodies greater than 1mm (wire) protected against water splashed from all directions
	protected against limited ingress of dust (wet rooms/covered outdoor areas) protected against water splashed from all directions
	protected against ingress of dust protected against jets of water
	protected against ingress of dust protected against powerful jets of water or heavy seas
	protected against ingress of dust protected against immersion of water between 15cm - 1m for 30 minutes
	protected against ingress of dust protected against immersion of water under pressure for long periods

IK RATING

	protected against 0.14 joules impact (equivalent to 0.25kg mass dropped from 56mm above the surface)
	protected against 0.2 joules impact (equivalent to 0.25kg mass dropped from 80mm above the surface)
	protected against 0.35 joules impact (equivalent to 0.25kg mass dropped from 140mm above the surface)
	protected against 0.5 joules impact (equivalent to 0.25kg mass dropped from 200mm above the surface)
	protected against 0.7 joules impact (equivalent to 0.25kg mass dropped from 280mm above the surface)
	protected against 1 joules impact (equivalent to 0.25kg mass dropped from 400mm above the surface)
	protected against 2 joules impact (equivalent to 0.5kg mass dropped from 400mm above the surface)
	protected against 5 joules impact (equivalent to 1.7kg mass dropped from 300mm above the surface)
	protected against 10 joules impact (equivalent to 5.0kg mass dropped from 200mm above the surface)
	protected against 20 joules impact (equivalent to 5.0kg mass dropped from 400mm above the surface)