

A3ID100-TRI-SYS COMPONENTS TRIMLESS

A3701700

DESCRIPTION

Idaho 100 System - Trimless Profile per Meter - Max 3000mm / 118 1/8"

GENERAL

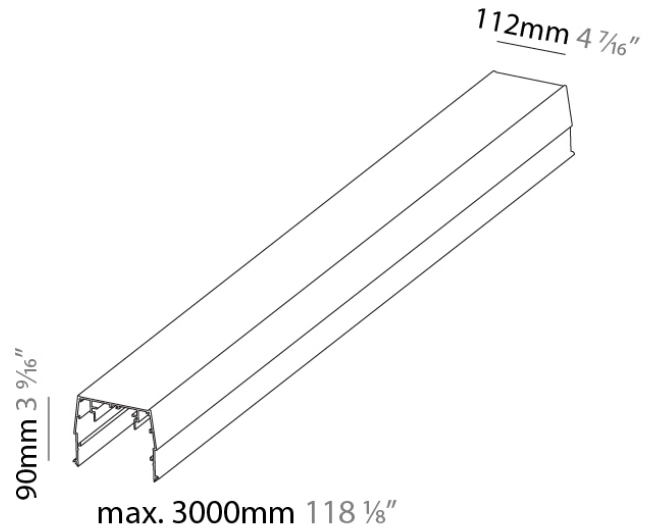
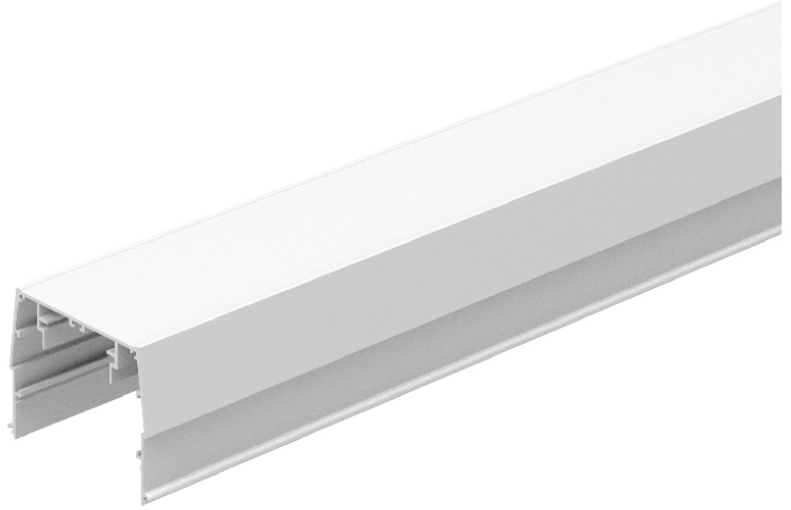
Series: Idaho _____
Subseries: Idaho 100 _____
Brand: Prolicht _____
Division: Architectural _____
Mounting Type: Trimless _____
Mounting Location: Ceiling _____

PHYSICAL

Shape: Rectangle _____
Length (mm): 1000 _____
Length (in): 39 3/8 _____
Width (mm): 112 _____
Width (in): 4 7/16 _____
Height (mm): 90 _____
Height (in): 3 9/16 _____
Weight (kg): 2.17 _____
Weight (lbs): 4.78 _____
Fixture Material: Aluminum _____

RATINGS AND CERTIFICATIONS

Certified By: Certified for North American Standards _____
IP rating: IP20 _____



PROJECT	_____
TYPE	_____
NOTES	_____
QUANTITY	_____
DATE	_____

A3ID100-TRI-SYS COMPONENTS

A3817100

DESCRIPTION

Idaho 100 System - Trimless Micro-Prism Diffuser per Meter -
Max 3000mm / 118 1/8"

GENERAL

Series: Idaho _____
Subseries: Idaho 100 _____
Brand: Prolicht _____
Division: Architectural _____

PHYSICAL

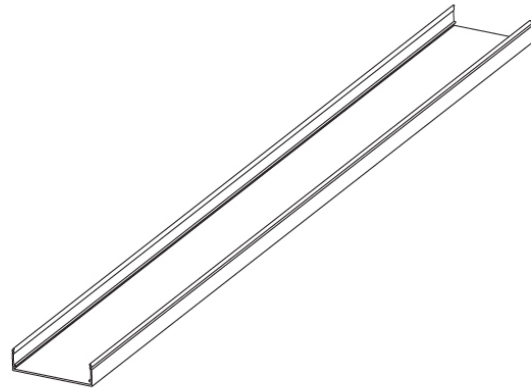
Shape: Rectangle _____
Length (mm): 1000 _____
Length (in): 39 3/8 _____
Width (mm): 99 _____
Width (in): 3 7/8 _____
Height (mm): 27 _____
Height (in): 1 1/16 _____
Weight (kg): 0.73 _____
Weight (lbs): 1.61 _____
Diffuser: PMMA - Micro-Prism _____
Fixture Material: Metal _____

ELECTRICAL

Lamp Type: LED (Zhaga Standard) _____

RATINGS AND CERTIFICATIONS

Certified By: Certified for North American Standards _____
IP rating: IP20 _____



max. 3000mm 118 1/8"



A3ID100-TRI-SYS COMPONENTS

A38172-

DESCRIPTION

Idaho 100 System - Light Insert - 1140mm - 20W / 12.8W [O/P]
 (3500K) - LED (Zhaga Standard) - 3000K / 3500K / 4000K

GENERAL

Series: Idaho _____
 Subseries: Idaho 100 _____
 Brand: Prolicht _____
 Division: Architectural _____

PHYSICAL

Shape: Rectangle _____
 Length (mm): 1140 _____
 Length (in): 44 ⁷/₈ _____
 Width (mm): 87 _____
 Width (in): 3 ⁷/₁₆ _____
 Height (mm): 65 _____
 Height (in): 2 ⁹/₁₆ _____
 Light Distribution: Direct _____
 Weight (kg): 2.424 _____
 Weight (lbs): 5.34 _____
 Fixture Material: Metal _____

ELECTRICAL

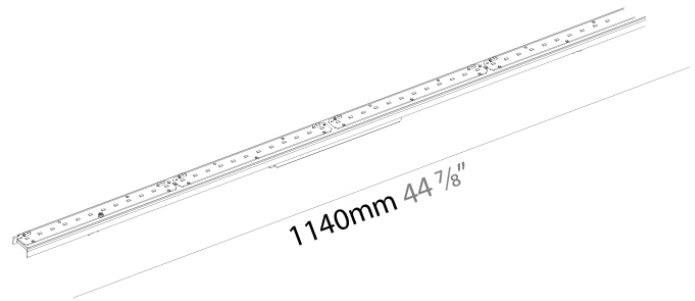
Input Wattage Range: 20 - 29 W _____
 Lamp Type: LED (Zhaga Standard) _____
 Input Wattage (W): 20 _____
 Total Output Wattage (W): 16 / 12.8 (3500K) _____
 Dimming: Non-Dimming / Phase Dimming (120Vac only) / 0-10V Dimming _____
 Driver Included: Yes _____
 Driver Location: Integrated _____
 Driver Type: Constant Current - 120 / 277Vac _____
 Driver Class: Class 2 _____
 Input Voltage (V): 120 - 277 _____
 Constant Current (MA): 350 / 400 (3500K) _____

LED

Delivered Lumen Range: 2000 - 2999 lm _____
 Color Temperature (°K): 3000 / 3500 / 4000 _____
 Max. Delivered Lumen (lm): 2175 / 2252 / 2298 _____
 Nominal Lumen (lm): 2840 / 2940 / 3000 _____
 CRI: >80 CRI _____
 Efficiency (%): 0.72 _____
 Lamp Life (hrs): 50000 _____
 Upon Request: Special Color Temperature RGB-W Tunable White CRI (no minimum qty) price increase + longer lead time _____

RATINGS AND CERTIFICATIONS

Certified By: Certified for North American Standards _____
 IP rating: IP20 _____



PROJECT
TYPE
NOTES
QUANTITY
DATE

A3ID100-TRI-SYS COMPONENTS

A38176-

DESCRIPTION

Idaho 100 System - Light Insert - 1420mm/55 7/8" - 25W / 16W [O/P] (3500K) - LED (Zhaga Standard) - 3000K / 3500K / 4000K

GENERAL

Series: Idaho
 Subseries: Idaho 100
 Brand: Prolicht
 Division: Architectural

PHYSICAL

Shape: Rectangle
 Length (mm): 1420
 Length (in): 55 7/8
 Width (mm): 87
 Width (in): 3 7/16
 Height (mm): 65
 Height (in): 2 9/16
 Light Distribution: Direct
 Weight (kg): 2.75
 Weight (lbs): 6.06
 Fixture Material: Metal

ELECTRICAL

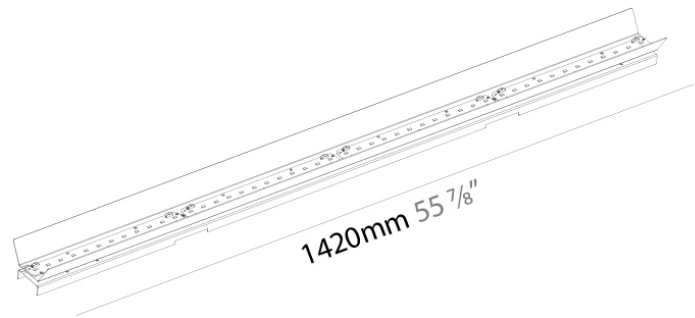
Input Wattage Range: 20 - 29 W
 Lamp Type: LED (Zhaga Standard)
 Input Wattage (W): 25
 Total Output Wattage (W): 20 / 16 (3500K)
 Dimming: Non-Dimming / Phase Dimming (120Vac only) / 0-10V Dimming
 Driver Included: Yes
 Driver Location: Integrated
 Driver Type: Constant Current - 120 / 277Vac
 Driver Class: Class 2
 Input Voltage (V): 120 - 277
 Constant Current (mA): 350 / 500 (3500K)

LED

Delivered Lumen Range: 2000 - 2999 lm
 Color Temperature (°K): 3000 / 3500 / 4000
 Max. Delivered Lumen (lm): 2719 / 2815 / 2872
 Nominal Lumen (lm): 3550 / 3675 / 3750
 CRI: >80 CRI
 Efficiency (%): 0.72
 Lamp Life (hrs): 50000
 Upon Request: Special Color Temperature RGB-W Tunable White CRI (no minimum qty) price increase + longer lead time

RATINGS AND CERTIFICATIONS

Certified By: Certified for North American Standards
 IP rating: IP20



PROJECT
TYPE
NOTES
QUANTITY
DATE

A3ID100-TRI-SYS COMPONENTS

A38180-

DESCRIPTION

Idaho 100 System - Light Insert - 1700mm - 30W / 19.2W [O/P] (3500K) - LED (Zhaga Standard) - 3000K / 3500K / 4000K

GENERAL

Series: Idaho
 Subseries: Idaho 100
 Brand: Prolicht
 Division: Architectural

PHYSICAL

Shape: Rectangle
 Length (mm): 1700
 Length (in): 66 ¹⁵/₁₆
 Width (mm): 87
 Width (in): 3 ⁷/₁₆
 Height (mm): 65
 Height (in): 2 ⁹/₁₆
 Light Distribution: Direct
 Weight (kg): 3.2
 Weight (lbs): 7.05
 Fixture Material: Metal

ELECTRICAL

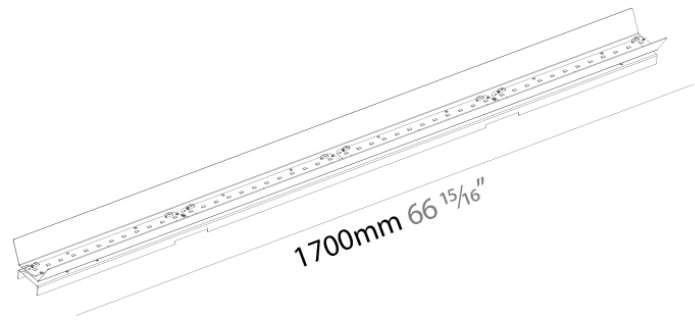
Input Wattage Range: 30 - 49 W
 Lamp Type: LED (Zhaga Standard)
 Input Wattage (W): 30
 Total Output Wattage (W): 24 / 19.2 (3500K)
 Dimming: Non-Dimming / Phase Dimming (120Vac only) / 0-10V Dimming
 Driver Included: Yes
 Driver Location: Integrated
 Driver Type: Constant Current - 120 / 277Vac
 Driver Class: Class 2
 Input Voltage (V): 120 - 277
 Constant Current (MA): 350 / 600 (3500K)

LED

Delivered Lumen Range: 2000 - 3999 lm
 Color Temperature (°K): 3000 / 3500 / 4000
 Max. Delivered Lumen (lm): 3263 / 3378 / 3447
 Nominal Lumen (lm): 4260 / 4410 / 4500
 CRI: >80 CRI
 Efficiency (%): 0.72
 Lamp Life (hrs): 50000
 Upon Request: Special Color Temperature RGB-W Tunable White CRI (no minimum qty) price increase + longer lead time

RATINGS AND CERTIFICATIONS

Certified By: Certified for North American Standards
 IP rating: IP20



PROJECT
TYPE
NOTES
QUANTITY
DATE

A3ID100-TRI-SYS COMPONENTS

A38184-

DESCRIPTION

Idaho 100 System - Idaline Light Insert - 1980mm / 77 15/16" - 34.3W / 22.4W [O/P] (3500K) - LED (Zhaga Standard) - 3000K / 3500K / 4000K - Dimmable.

GENERAL

Series: Idaho
 Subseries: Idaho 100
 Brand: Prolicht
 Division: Architectural

PHYSICAL

Shape: Rectangle
 Length (mm): 1980
 Length (in): 77 15/16
 Width (mm): 87
 Width (in): 3 7/16
 Height (mm): 65
 Height (in): 2 9/16
 Light Distribution: Direct
 Weight (kg): 3.7
 Weight (lbs): 8.16
 Fixture Material: Metal

ELECTRICAL

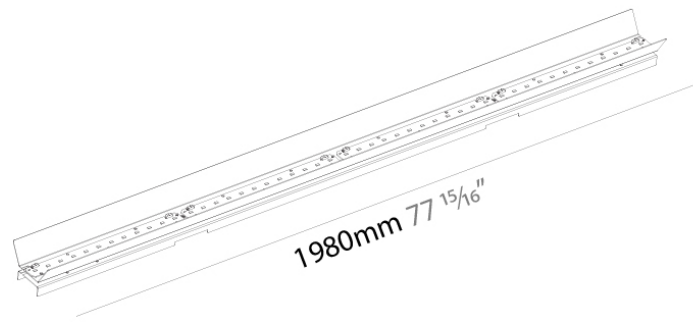
Input Wattage Range: 30 - 49 W
 Lamp Type: LED (Zhaga Standard)
 Input Wattage (W): 34.3
 Total Output Wattage (W): 28 / 22.4 (3500K)
 Dimming: 0-10V Dimming / Phase Dimming (120Vac Only)
 Driver Included: Yes
 Driver Location: Integrated
 Driver Type: Constant Current - 120 / 277Vac
 Driver Class: Class 2
 Input Voltage (V): 120 - 277
 Constant Current (MA): 350 / 700 (3500K)

LED

Delivered Lumen Range: 2000 - 3999 lm
 Color Temperature (°K): 3000 / 3500 / 4000
 Max. Delivered Lumen (lm): 3467 / 3529 / 3601
 Nominal Lumen (lm): 4527 / 4608 / 4702
 CRI: >90 CRI
 Efficiency (%): 0.72
 Lamp Life (hrs): 50000
 Upon Request: Special Color Temperature RGB-W Tunable White CRI (no minimum qty) price increase + longer lead time

RATINGS AND CERTIFICATIONS

Certified By: Certified for North American Standards
 IP rating: IP20



PROJECT
TYPE
NOTES
QUANTITY
DATE

A3ID100-TRI-SYS COMPONENTS

A38188-

DESCRIPTION

Idaho 100 System - Light Insert - 2270mm/ 89 3/8" - 39.2W LED (Zhaga Standard) - 3000K / 3500K / 4000K - Dimmable

GENERAL

Series: Idaho
 Subseries: Idaho 100
 Brand: Prolicht
 Division: Architectural

PHYSICAL

Shape: Rectangle
 Length (mm): 2270
 Length (in): 89 3/8
 Width (mm): 87
 Width (in): 3 7/16
 Height (mm): 65
 Height (in): 2 9/16
 Light Distribution: Direct
 Weight (kg): 4.181
 Weight (lbs): 9.22
 Fixture Material: Metal

ELECTRICAL

Input Wattage Range: 30 - 49 W
 Lamp Type: LED (Zhaga Standard)
 Input Wattage (W): 39.2
 Total Output Wattage (W): 32 / 22.4 (3500K)
 Dimming: 0-10V Dimming / Phase Dimming (120Vac Only)
 Driver Included: Yes
 Driver Location: Integrated
 Driver Type: Constant Current - 120 / 277Vac
 Driver Class: Class 2
 Input Voltage (V): 120 - 277
 Constant Current (mA): 350 / 800 (3500K)

LED

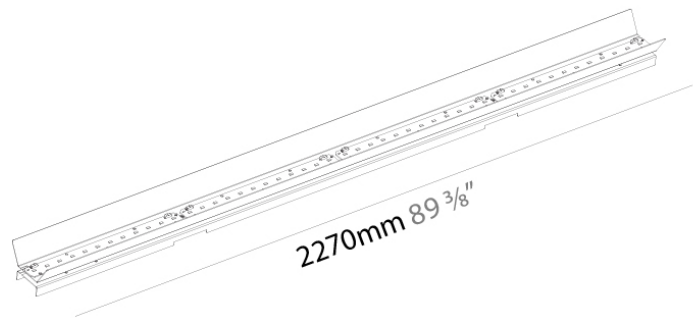
Delivered Lumen Range: 3000 - 4999 lm
 Color Temperature (°K): 3000 / 3500 / 4000
 Max. Delivered Lumen (lm): 3963 / 4034 / 4116
 Nominal Lumen (lm): 5173 / 5266 / 5373
 CRI: >90 CRI
 Efficiency (%): 0.72
 Lamp Life (hrs): 50000
 Upon Request: Special Color Temperature RGB-W Tunable White CRI (no minimum qty) price increase + longer lead time

OPTICAL

Beam Angle: 78

RATINGS AND CERTIFICATIONS

Certified By: Certified for North American Standards
 IP rating: IP20



A3ID100-TRI-SYS COMPONENTS

PROJECT	_____
TYPE	_____
NOTES	_____
QUANTITY	_____
DATE	_____

A3955300

DESCRIPTION

Idaho 100 System - Trimless End Cap

GENERAL

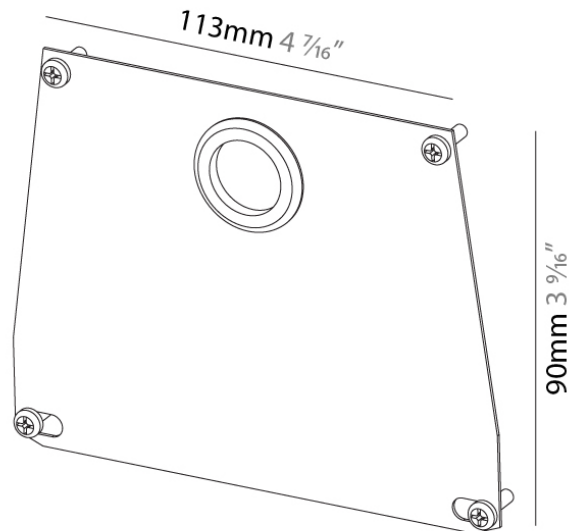
Series: Idaho
Subseries: Idaho 100
Brand: Prolicht
Division: Architectural

PHYSICAL

Length (mm): 113
Length (in): 4 ⁷/₁₆
Width (mm): 1
Width (in): 1/16
Height (mm): 90
Height (in): 3 ⁹/₁₆
Weight (kg): 0.06
Weight (lbs): 0.13
Fixture Material: Aluminum

RATINGS AND CERTIFICATIONS

Certified By: Certified for North American Standards
IP rating: IP20



PROJECT	_____
TYPE	_____
NOTES	_____
QUANTITY	_____
DATE	_____

A3ID100-TRI-SYS COMPONENTS

A39558-

DESCRIPTION

Idaho 100 System - Trimless Mounting Bracket

GENERAL

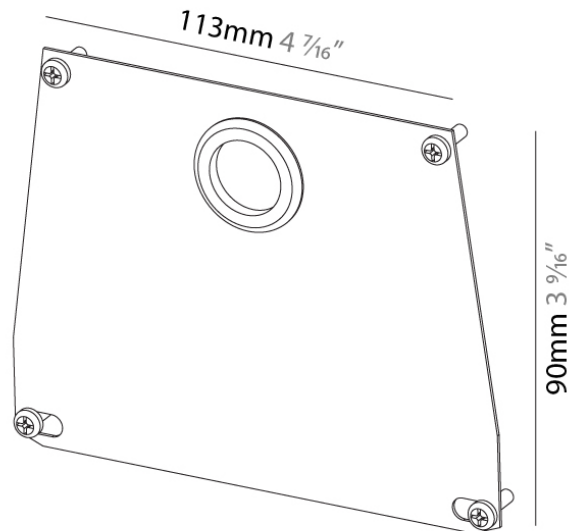
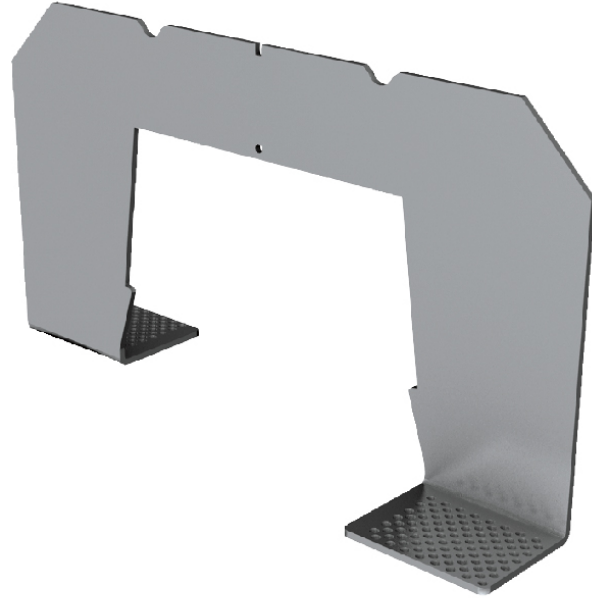
Series: Idaho
Subseries: Idaho 100
Brand: Prolicht
Division: Architectural

PHYSICAL

Length (mm): 202
Length (in): $7 \frac{15}{16}$
Width (mm): 68
Width (in): $2 \frac{11}{16}$
Height (mm): 107
Height (in): $4 \frac{7}{16}$
Ceiling Thickness (mm): 10 / 12.5 / 15
Ceiling Thickness (in): 3/8 or 1/2 or 9/16
Weight (kg): 0.232
Weight (lbs): 0.511
Installation Requirement: Ceiling Thickness: 10mm / 12.5mm / 15mm
Fixture Material: Aluminum

RATINGS AND CERTIFICATIONS

Certified By: Certified for North American Standards
IP rating: IP20



A3ID100-TRI-SYS COMPONENTS

A3955900

DESCRIPTION

Idaho 100 System - Trimless Frame Alignment Kit

GENERAL

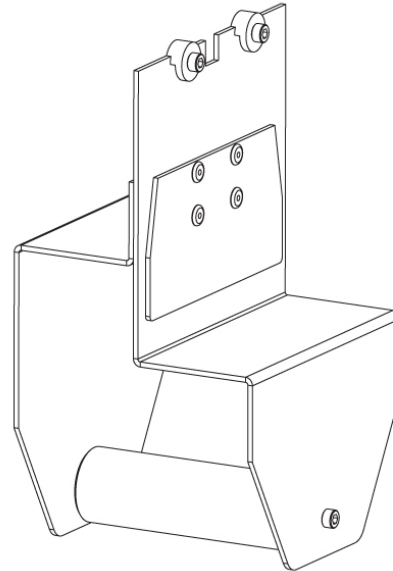
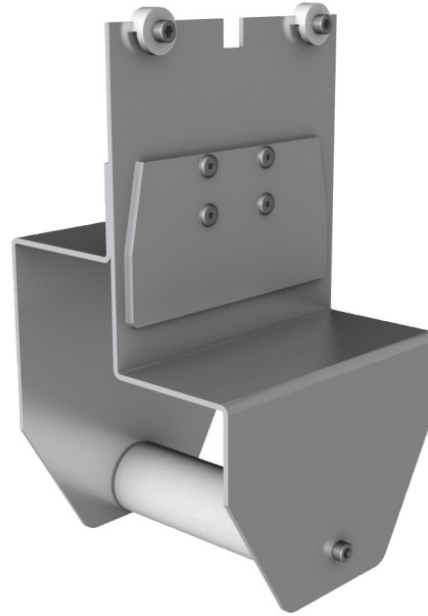
Series: Idaho _____
Subseries: Idaho 100 _____
Brand: Prolicht _____
Division: Architectural _____

PHYSICAL

Length (mm): 112 _____
Length (in): 4 $\frac{7}{16}$ _____
Width (mm): 115 _____
Width (in): 4 $\frac{1}{2}$ _____
Height (mm): 197 _____
Height (in): 7 $\frac{3}{4}$ _____
Weight (kg): 1.05 _____
Weight (lbs): 2.31 _____
Fixture Material: Aluminum _____

RATINGS AND CERTIFICATIONS

Certified By: Certified for North American Standards _____
IP rating: IP20 _____



PROJECT	_____
TYPE	_____
NOTES	_____
QUANTITY	_____
DATE	_____

A3ID100-TRI-SYS COMPONENTS

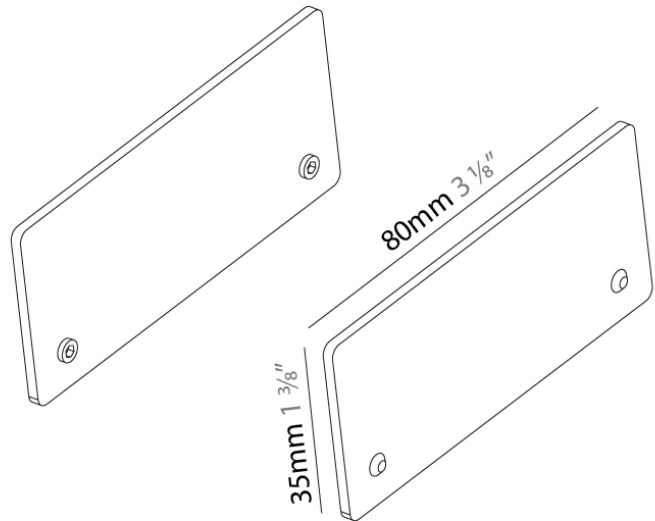
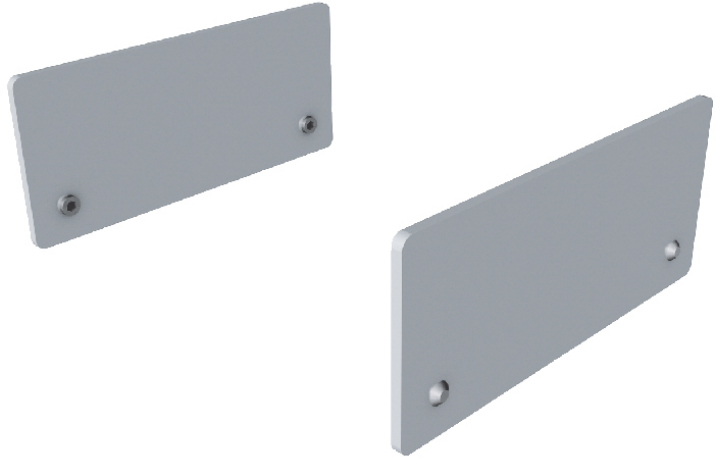
A3956000

DESCRIPTION
Idaho 100 System - Trimless Linear Coupler

GENERAL
Series: Idaho
Subseries: Idaho 100
Brand: Prolicht
Division: Architectural

PHYSICAL
Length (mm): 80
Length (in): 3 1/8
Width (mm): 4
Width (in): 3/16
Height (mm): 35
Height (in): 1 3/8
Weight (kg): 0.088
Weight (lbs): 0.194
Fixture Material: Aluminum

RATINGS AND CERTIFICATIONS
Certified By: Certified for North American Standards
IP rating: IP20



PROJECT
TYPE
NOTES
QUANTITY
DATE

A3ID100-TRI-SYS COMPONENTS

A3956300

DESCRIPTION

Idaho 100 System - Trimless Corner Coupler (90°)

GENERAL

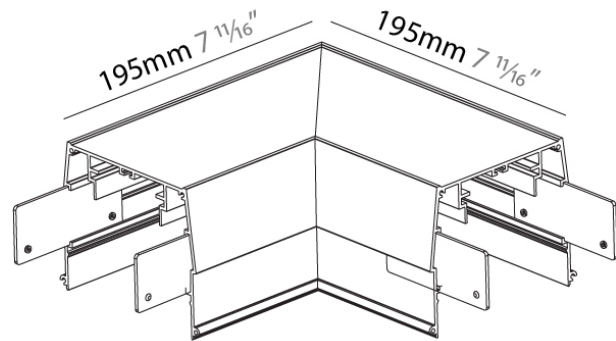
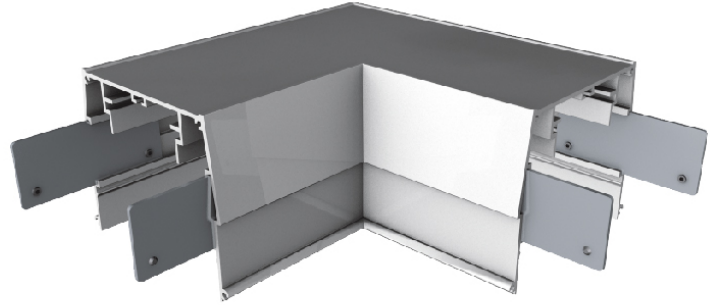
Series: Idaho
 Subseries: Idaho 100
 Brand: Prolicht
 Division: Architectural

PHYSICAL

Length (mm): 195
 Length (in): 7 ¹¹/₁₆
 Width (mm): 195
 Width (in): 7 ¹¹/₁₆
 Height (mm): 90
 Height (in): 3 ⁹/₁₆
 Weight (kg): 0.807
 Weight (lbs): 1.78
 Fixture Material: Aluminum

RATINGS AND CERTIFICATIONS

Certified By: Certified for North American Standards
 IP rating: IP20



A3ID100-TRI-SYS COMPONENTS

PROJECT	_____
TYPE	_____
NOTES	_____
QUANTITY	_____
DATE	_____

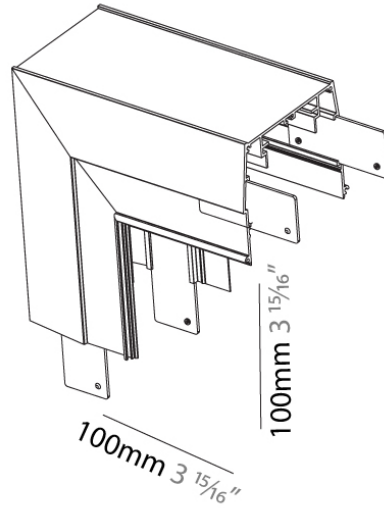
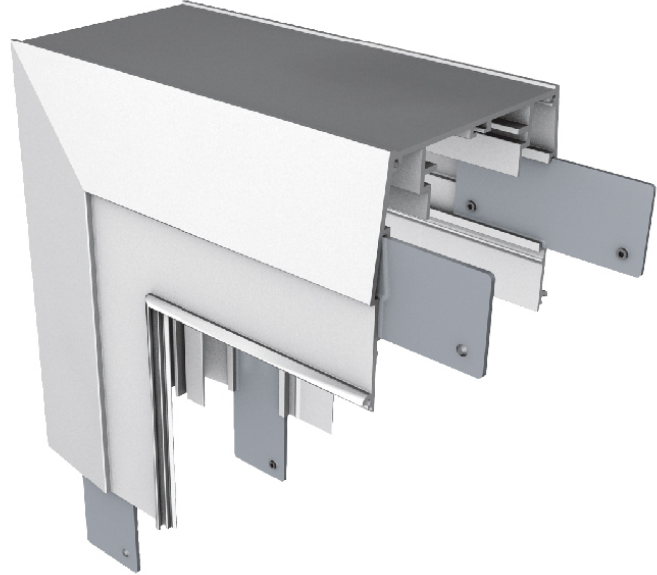
A3956700

DESCRIPTION
Idaho 100 System - Trimless Vertical Coupler (90°)

GENERAL
Series: Idaho
Subseries: Idaho 100
Brand: Prolicht
Division: Architectural

PHYSICAL
Length (mm): 100
Length (in): $3 \frac{15}{16}$
Width (mm): 100
Width (in): $3 \frac{15}{16}$
Height (mm): 190
Height (in): $7 \frac{1}{2}$
Weight (kg): 0.9
Weight (lbs): 1.98
Fixture Material: Aluminum

RATINGS AND CERTIFICATIONS
Certified By: Certified for North American Standards
IP rating: IP20



A3ID100-TRI-SYS COMPONENTS

A3992300

DESCRIPTION

Idaho 100 System - Opal Diffuser per Meter - Max 3000mm / 118 1/8"

GENERAL

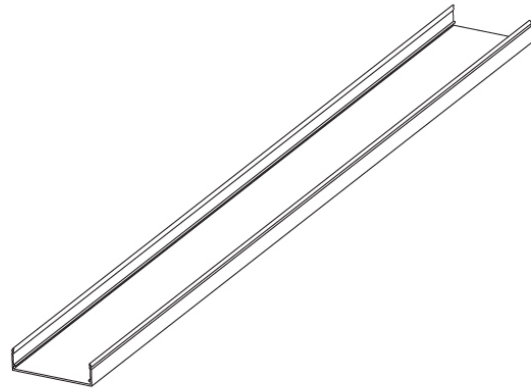
Series: Idaho _____
Subseries: Idaho 100 _____
Brand: Prolicht _____
Division: Architectural _____

PHYSICAL

Shape: Rectangle _____
Length (mm): 1000 _____
Length (in): 39 3/8 _____
Width (mm): 99 _____
Width (in): 3 7/8 _____
Height (mm): 27 _____
Height (in): 1 1/16 _____
Weight (kg): 0.34 _____
Weight (lbs): 0.75 _____
Diffuser: PMMA - Opal _____

RATINGS AND CERTIFICATIONS

Certified By: Certified for North American Standards _____
IP rating: IP20 _____



max. 3000mm 118 1/8"



LEGEND

	floor-mounted		pivotable		special LED (upon request) RGB, RGBW, tunable, gold+, meat+, art+, fashion+
	wall and ceiling: recessed and surface mounted		rotating		warm dim / natural dimming LED
	ceiling-mounted and wall-mounted		illuminate tilted		rechargeable battery powered
	wall-mounted		color of suspension cable		fixture with natural vivid LED (upon request)
	omni-directional light distribution		length of suspension cable		color rendering index
	direct light distribution		reflector degree selection		color temperature
	direct/indirect light distribution		super spot		lumen (luminous flux)
	indirect light distribution		lens		efficacy (lumens per watt)
	asymmetric light distribution		lens pack		Unified Glare Rating (UGR) range from 5-40
	aura light distribution		shine ring		marine grade (AISI 316 stainless steel)
	round wall or ceiling cut-out		integrated shine ring with diffuser		walk on
	square wall or ceiling cut-out		free individual colors 01-29		drive on
	the supplied jig specifies the cutout dimensions		individual colors: 00 (free of charge), 01-25 (extra charge)		Dark Sky Compliance
	minimum distance (meters) lamp - object		luminaire part to be colored (F1)		Americans with Disabilities Act (less than 4" off the wall located between 27"-84" from floor)
	recessed depth		luminaire part to be colored (F2)		lamp protected against explosion
	ceiling thickness in mm		luminaire part to be colored (F3)		blown glass using traditional methods by master glass blower
	ceiling thickness selection		luminaire part to be colored (F4)		acoustic material
	dimmable DP (phase), DV (0-10V), DD (dali), DS (step-dim)		luminaire part to be colored (F5)		protection class I, protection insulation
	included or excluded LED driver/transformer/control gear		color of 3-circuit adaptor		protection class II, protection insulation
	separately switchable		indirect diffuser		ETL Certified to UL and CSA Standards
	sensor		direct diffuser		UL Certified to UL and CSA Standards
	remote control		ball-proof (upon request)		CSA Certified to UL and CSA Standards
	available upon request		accessory		Certified for North American Standards

IP RATING

	protected against ingress of solid bodies greater than 12.5mm (finger)
	protected against ingress of solid bodies greater than 2.5mm protected against sprays of water up to 60 degrees from the vertical (rain)
	protected against ingress of solid bodies greater than 1mm (wire) no protection against the ingress of moisture
	protected against ingress of solid bodies greater than 1mm (wire) protected against sprays of water up to 60 degrees from the vertical (rain)
	protected against ingress of solid bodies greater than 1mm (wire) protected against water splashed from all directions
	protected against limited ingress of dust (wet rooms/covered outdoor areas) protected against water splashed from all directions
	protected against ingress of dust protected against jets of water
	protected against ingress of dust protected against powerful jets of water or heavy seas
	protected against ingress of dust protected against immersion of water between 15cm - 1m for 30 minutes
	protected against ingress of dust protected against immersion of water under pressure for long periods

IK RATING

	protected against 0.14 joules impact (equivalent to 0.25kg mass dropped from 56mm above the surface)
	protected against 0.2 joules impact (equivalent to 0.25kg mass dropped from 80mm above the surface)
	protected against 0.35 joules impact (equivalent to 0.25kg mass dropped from 140mm above the surface)
	protected against 0.5 joules impact (equivalent to 0.25kg mass dropped from 200mm above the surface)
	protected against 0.7 joules impact (equivalent to 0.25kg mass dropped from 280mm above the surface)
	protected against 1 joules impact (equivalent to 0.25kg mass dropped from 400mm above the surface)
	protected against 2 joules impact (equivalent to 0.5kg mass dropped from 400mm above the surface)
	protected against 5 joules impact (equivalent to 1.7kg mass dropped from 300mm above the surface)
	protected against 10 joules impact (equivalent to 5.0kg mass dropped from 200mm above the surface)
	protected against 20 joules impact (equivalent to 5.0kg mass dropped from 400mm above the surface)