

| | |
|----------|--|
| PROJECT | |
| TYPE | |
| NOTES | |
| QUANTITY | |
| DATE | |

A3ID40-REC-SYS COMPONENTS RECESSED

A35641-

DESCRIPTION

Idaho 40 / Hypro 40 - Recessed System Profile per meter - Max 3000mm / 118 1/8"

GENERAL

Series: Idaho
 Subseries: Idaho 40
 Brand: Prolicht
 Division: Architectural
 Mounting Type: Recessed
 Mounting Location: Ceiling
 Subcategory: Profile

PHYSICAL

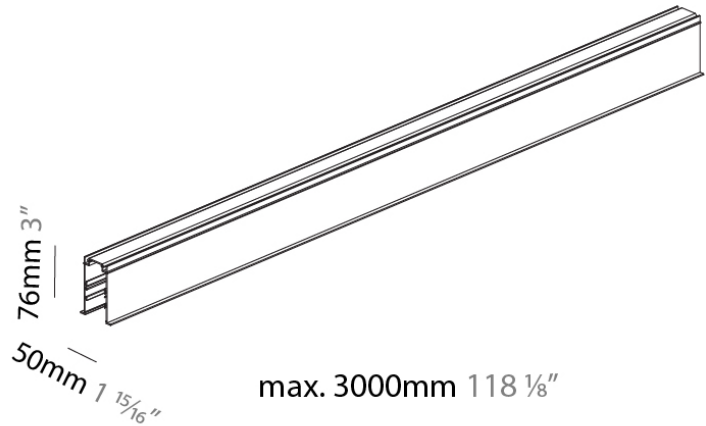
Shape: Rectangle
 Length (mm): 100
 Length (in): 39 3/8
 Width (mm): 50
 Width (in): 1 15/16
 Height (mm): 76
 Height (in): 3
 Weight (kg): 1.017
 Weight (lbs): 2.24
 Fixture Finish: SSR / BKV / CWI / CRY / HAB / UFT / ITA / RUA / FTG / MYG / LOD / PUS / FRO / FUP / KIA / POP / BLS / SPG / MEY / GOH / GUM / CHC / COM / ABZ / JAG / OBR / MOS / ROR
 Fixture Material: Aluminum

LED

Efficiency (%): 70% (8mm Perspex)

RATINGS AND CERTIFICATIONS

Certified By: Certified for North American Standards
 IP rating: IP20



A3ID40-REC-SYS COMPONENTS

| | |
|----------|-------|
| PROJECT | _____ |
| TYPE | _____ |
| NOTES | _____ |
| QUANTITY | _____ |
| DATE | _____ |

A380114

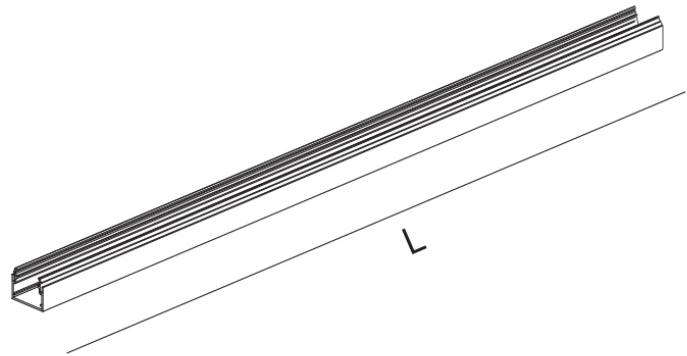
DESCRIPTION
Idaho / Hypro 40 System - Per Meter - Opal Diffuser

GENERAL
Series: Hypro
Subseries: Hypro 40
Brand: Prolicht
Division: Architectural

PHYSICAL
Shape: Rectangle
Length (mm): Max. 3000
Length (in): Max. 118 1/9
Width (mm): 35
Width (in): 1 3/8
Height (mm): 28
Height (in): 1 1/8
Diffuser: PMMA - Opal Diffuser - Per Meter
Fixture Material: Aluminum

ELECTRICAL
Lamp Type: LED (Zhaga Standard)

RATINGS AND CERTIFICATIONS
Certified By: Certified for North American Standards
IP rating: IP20



| | |
|----------|-------|
| PROJECT | _____ |
| TYPE | _____ |
| NOTES | _____ |
| QUANTITY | _____ |
| DATE | _____ |

A3ID40-REC-SYS COMPONENTS

A380115

DESCRIPTION

Idaho / Hypro 40 System - 1128mm - Opal Diffuser

GENERAL

Series: Hypro
Subseries: Hypro 40
Brand: Prolicht
Division: Architectural

PHYSICAL

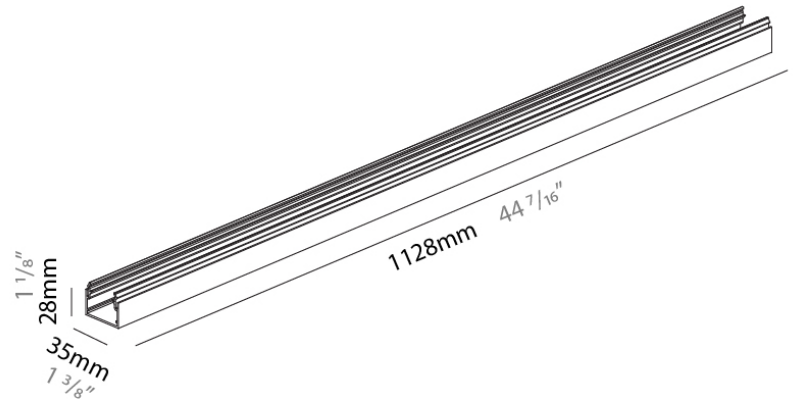
Shape: Rectangle
Length (mm): 1128
Length (in): 44 ⁷/₁₆
Width (mm): 35
Width (in): 1 ³/₈
Height (mm): 28
Height (in): 1 ¹/₈
Weight (kg): 0.221
Weight (lbs): 0.49
Diffuser: PMMA - Opal Diffuser - Per Meter
Fixture Material: Aluminum

ELECTRICAL

Lamp Type: LED (Zhaga Standard)

RATINGS AND CERTIFICATIONS

Certified By: Certified for North American Standards
IP rating: IP20



A3ID40-REC-SYS COMPONENTS

A380116

DESCRIPTION

Idaho / Hypro 40 System - Per Meter - Micro - Prism - Diffuser

GENERAL

Series: Hypro

Subseries: Hypro 40

Brand: Prolicht

Division: Architectural

PHYSICAL

Shape: Rectangle

Width (mm): 35

Width (in): 1 $\frac{3}{8}$

Height (mm): 28

Height (in): 1 $\frac{1}{8}$

Diffuser: PMMA - Micro Prism - Diffuser - Per Meter

Fixture Material: Aluminum

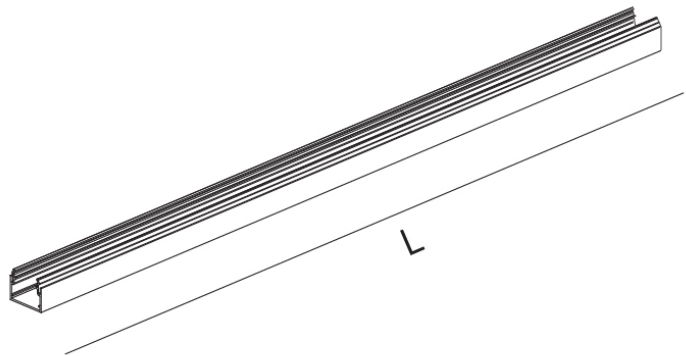
ELECTRICAL

Lamp Type: LED (Zhaga Standard)

RATINGS AND CERTIFICATIONS

Certified By: Certified for North American Standards

IP rating: IP20



A3ID40-REC-SYS COMPONENTS

A380117

DESCRIPTION

Idaho / Hypro 40 System - 1128mm - Micro - Prism - Diffuser

GENERAL

Series: Hypro

Subseries: Hypro 40

Brand: Prolicht

Division: Architectural

PHYSICAL

Shape: Rectangle

Length (mm): 1128

Length (in): $44 \frac{7}{16}$

Width (mm): 35

Width (in): $1 \frac{3}{8}$

Height (mm): 28

Height (in): $1 \frac{3}{8}$

Diffuser: PMMA - Micro Prism - Diffuser - Per Meter

Fixture Material: Aluminum

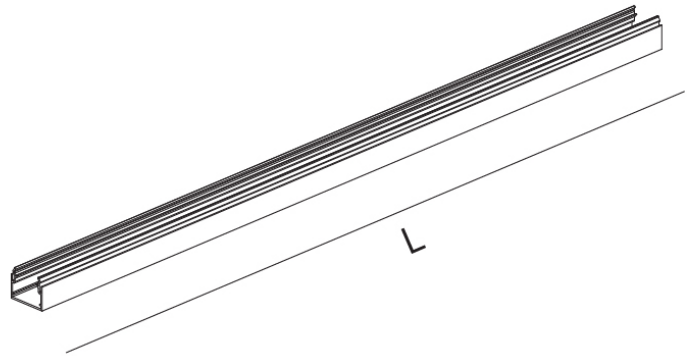
ELECTRICAL

Lamp Type: LED (Zhaga Standard)

RATINGS AND CERTIFICATIONS

Certified By: Certified for North American Standards

IP rating: IP20



A3ID40-REC-SYS COMPONENTS

A38869-

DESCRIPTION

Idaho 40 / Hypro 40 - Recessed System End Cap

GENERAL

Brand: Prolicht

Division: Architectural

PHYSICAL

Shape: Rectangle

Length (mm): 50

Length (in): 1 ¹⁵/₁₆

Width (mm): 20

Width (in): 13/16

Height (mm): 76

Height (in): 3

Weight (kg): 0.046

Weight (lbs): 0.10

Fixture Finish: SSR / BKV / CWI / CRY / HAB / UFT / ITA / RUA / FTG / MYG / LOD / PUS / FRO / FUP / KIA / POP / BLS / SPG / MEY / GOH / GUM / CHC / COM / ABZ / JAG / OBR / MOS / ROR

Fixture Material: Aluminum

RATINGS AND CERTIFICATIONS

Certified By: Certified for North American Standards

IP rating: IP20

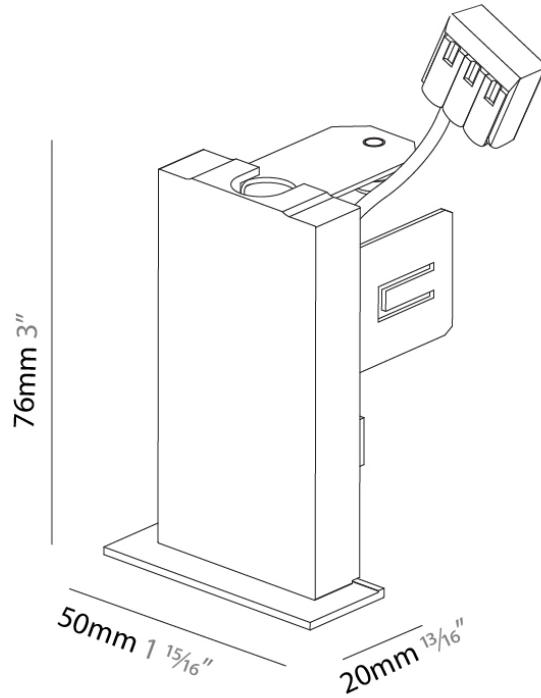
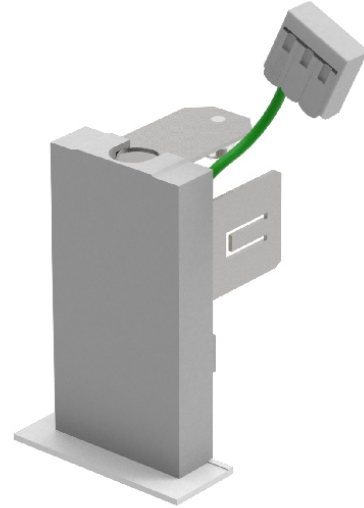
PROJECT

TYPE

NOTES

QUANTITY

DATE



| | |
|----------|-------|
| PROJECT | _____ |
| TYPE | _____ |
| NOTES | _____ |
| QUANTITY | _____ |
| DATE | _____ |

A3ID40-REC-SYS COMPONENTS

A38870

DESCRIPTION

Idaho / Hypro 40 Recessed System Linear Coupler

GENERAL

Brand: Prolicht

Division: Architectural

PHYSICAL

Shape: Rectangle

Length (mm): 150

Length (in): 5 ⁷/₈

Width (mm): 35

Width (in): 1 ³/₈

Height (mm): 33

Height (in): 1 ⁵/₁₆

Weight (kg): 0.167

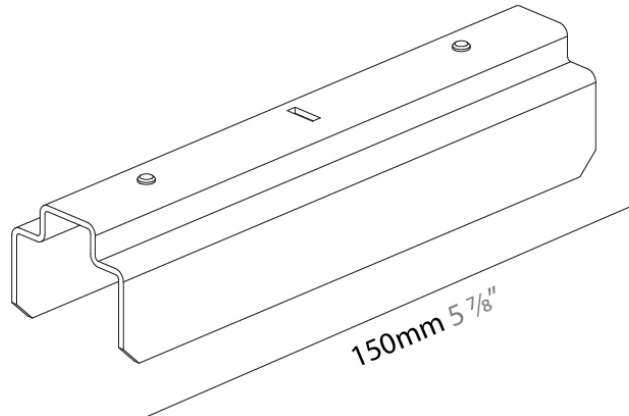
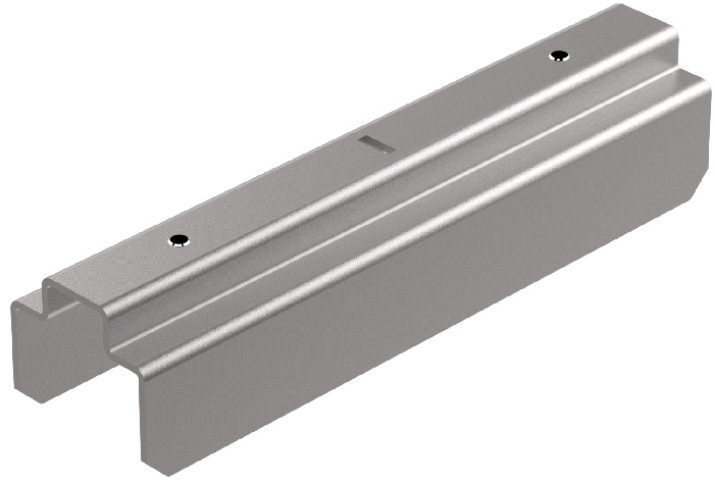
Weight (lbs): 0.37

Fixture Material: Aluminum

RATINGS AND CERTIFICATIONS

Certified By: Certified for North American Standards

IP rating: IP20



A3ID40-REC-SYS COMPONENTS

| | |
|----------|-------|
| PROJECT | _____ |
| TYPE | _____ |
| NOTES | _____ |
| QUANTITY | _____ |
| DATE | _____ |

A38871-

DESCRIPTION

Idaho 40 / Hypro 40 - Recessed System L-Connector

GENERAL

Brand: Prolicht

Division: Architectural

PHYSICAL

Length (mm): 75

Length (in): 2 ¹⁵/₁₆

Width (mm): 75

Width (in): 2 ¹⁵/₁₆

Height (mm): 76

Height (in): 3

Weight (kg): 0.264

Weight (lbs): 0.58

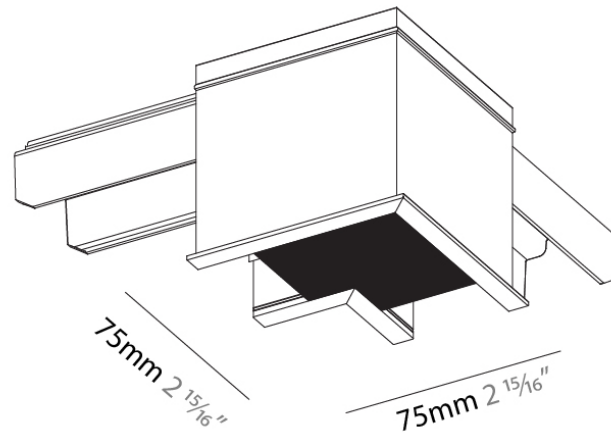
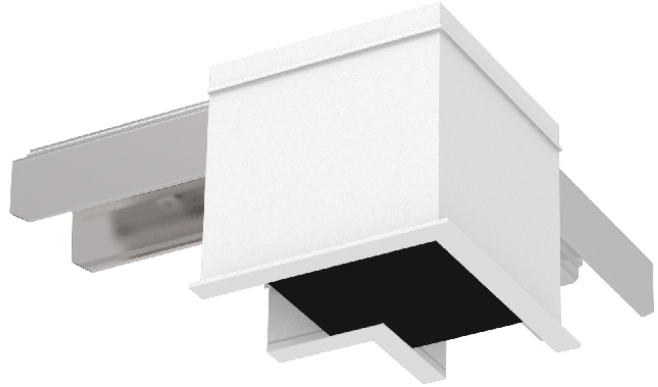
Fixture Finish: SSR / BKV / CWI / CRY / HAB / UFT / ITA / RUA / FTG / MYG / LOD / PUS / FRO / FUP / KIA / POP / BLS / SPG / MEY / GOH / GUM / CHC / COM / ABZ / JAG / OBR / MOS / ROR

Fixture Material: Aluminum

RATINGS AND CERTIFICATIONS

Certified By: Certified for North American Standards

IP rating: IP20



A3ID40-REC-SYS COMPONENTS RECESSED

A38872-

DESCRIPTION

Idaho 40 / Hypro 40 - Recessed System T-Connector

GENERAL

Brand: Prolicht
 Division: Architectural
 Mounting Type: Recessed
 Mounting Location: Ceiling

PHYSICAL

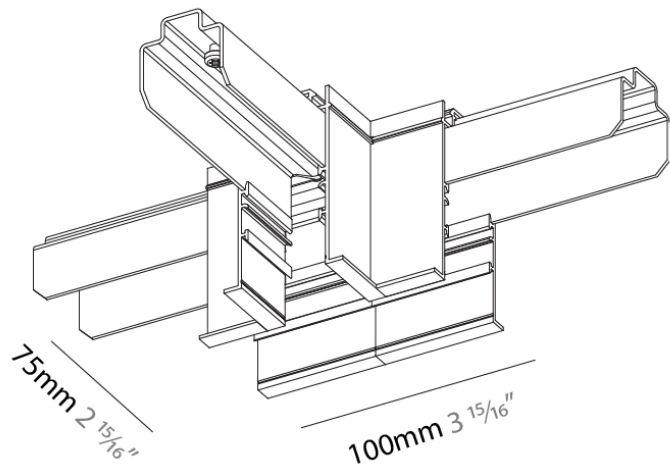
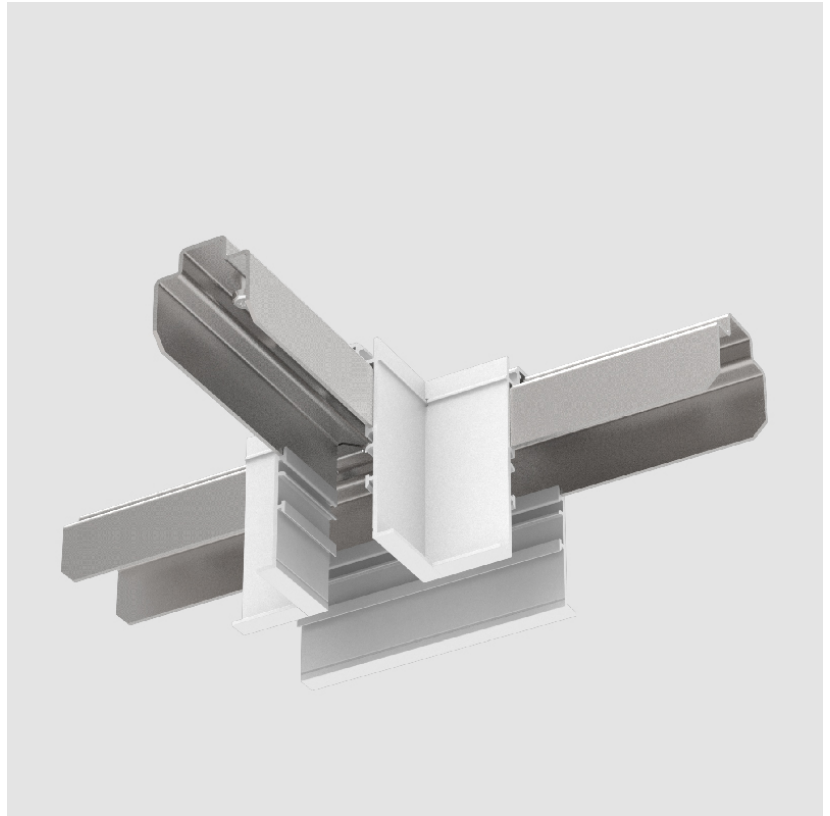
Length (mm): 75
 Length (in): 2 ¹⁵/₁₆
 Width (mm): 75
 Width (in): 2 ¹⁵/₁₆
 Height (mm): 76
 Height (in): 3
 Weight (kg): 0.53
 Weight (lbs): 1.17

Fixture Finish: SSR / BKV / CWI / CRY / HAB / UFT / ITA / RUA / FTG / MYG / LOD / PUS / FRO / FUP / KIA / POP / BLS / SPG / MEY / GOH / GUM / CHC / COM / ABZ / JAG / OBR / MOS / ROR

Fixture Material: Aluminum

RATINGS AND CERTIFICATIONS

Certified By: CSA Certified to UL and CSA Standards
 IP rating: IP20



| | |
|----------|--|
| PROJECT | |
| TYPE | |
| NOTES | |
| QUANTITY | |
| DATE | |

A3ID40-REC-SYS COMPONENTS

A38873-

DESCRIPTION

Idaho 40 / Hypro 40 - Recessed System X-Connector

GENERAL

Brand: Prolicht

Division: Architectural

PHYSICAL

Length (mm): 100

Length (in): 3 ¹⁵/₁₆

Width (mm): 100

Width (in): 3 ¹⁵/₁₆

Height (mm): 76

Height (in): 3

Weight (kg): 0.682

Weight (lbs): 1.5

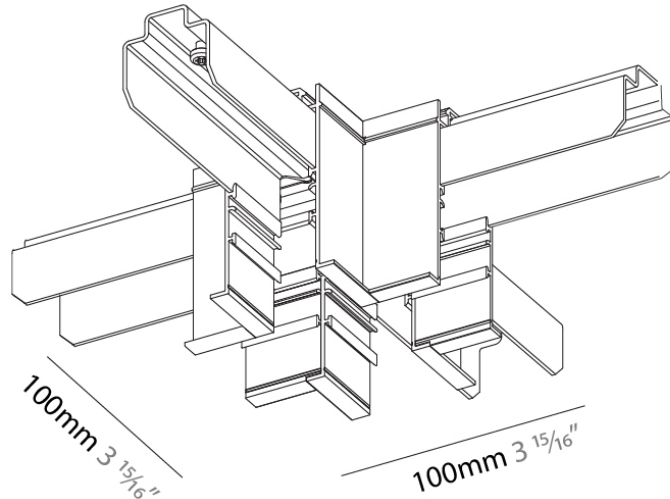
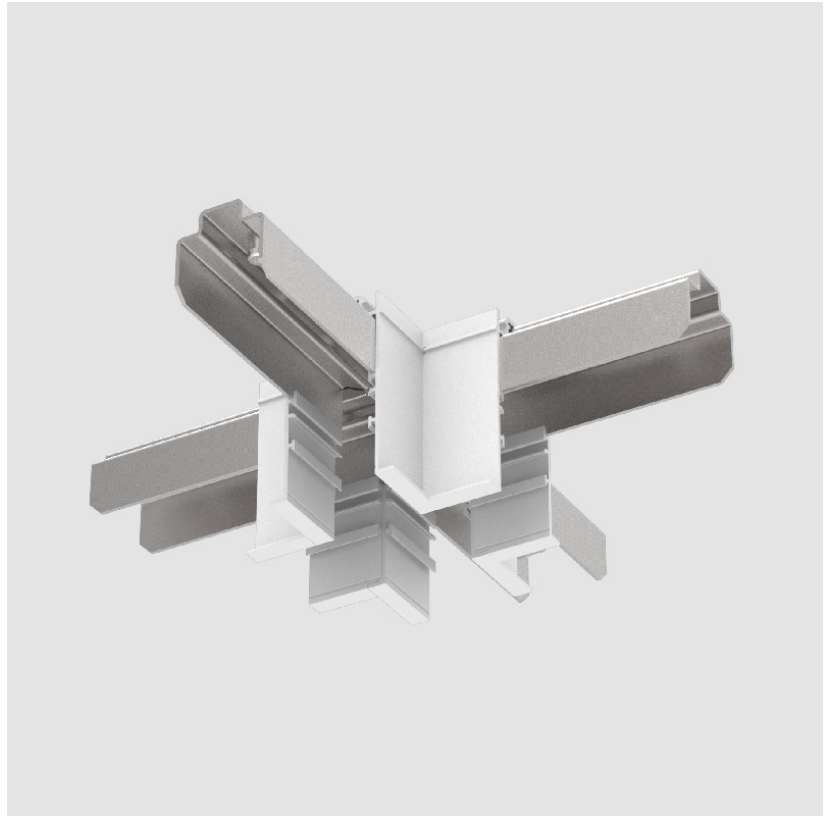
Fixture Finish: SSR / BKV / CWI / CRY / HAB / UFT / ITA / RUA / FTG / MYG / LOD / PUS / FRO / FUP / KIA / POP / BLS / SPG / MEY / GOH / GUM / CHC / COM / ABZ / JAG / OBR / MOS / ROR

Fixture Material: Aluminum

RATINGS AND CERTIFICATIONS

Certified By: Certified for North American Standards

IP rating: IP20



A3ID40-REC-SYS COMPONENTS

| | |
|----------|-------|
| PROJECT | _____ |
| TYPE | _____ |
| NOTES | _____ |
| QUANTITY | _____ |
| DATE | _____ |

A38874-

DESCRIPTION

Idaho 40 / Hypro 40 - Recessed System Wall / Ceiling Connector

GENERAL

Brand: Prolicht

Division: Architectural

PHYSICAL

Length (mm): 210

Length (in): 8 ¼

Width (mm): 50

Width (in): 1 15/16

Height (mm): 210

Height (in): 8 ¼

Weight (kg): 0.682

Weight (lbs): 1.5

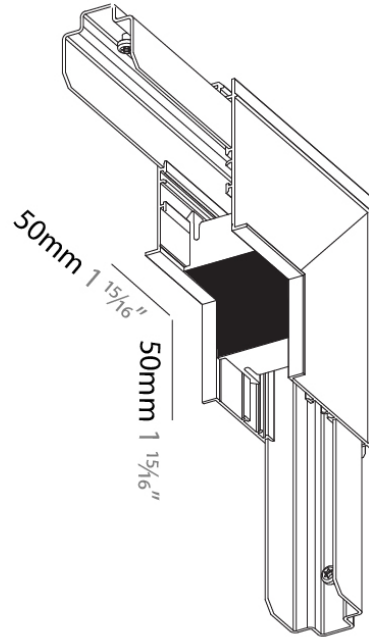
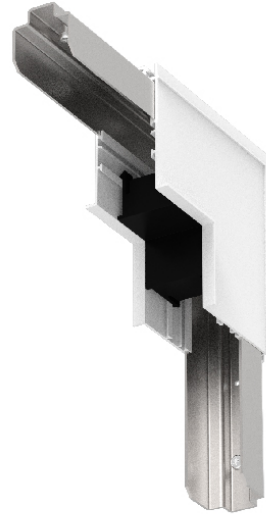
Fixture Finish: SSR / BKV / CWI / CRY / HAB / UFT / ITA / RUA / FTG / MYG / LOD / PUS / FRO / FUP / KIA / POP / BLS / SPG / MEY / GOH / GUM / CHC / COM / ABZ / JAG / OBR / MOS / ROR

Fixture Material: Aluminum

RATINGS AND CERTIFICATIONS

Certified By: Certified for North American Standards

IP rating: IP20



A3ID40-REC-SYS COMPONENTS

| | |
|----------|-------|
| PROJECT | _____ |
| TYPE | _____ |
| NOTES | _____ |
| QUANTITY | _____ |
| DATE | _____ |

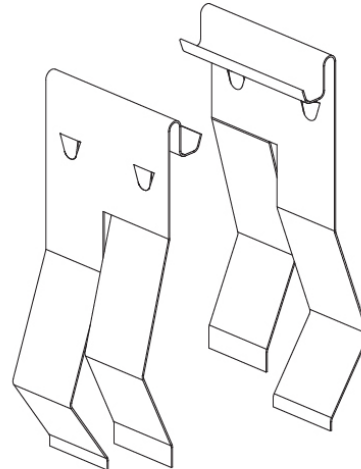
A38875

DESCRIPTION
Idaho 40 / Hypro 40 - Recessed System Installation Clips (Pair)

GENERAL
Brand: Prolicht
Division: Architectural

PHYSICAL
Length (mm): 30
Length (in): 1 ³/₁₆
Width (mm): 16
Width (in): 5/8
Height (mm): 70
Height (in): 2 ³/₄
Weight (kg): 0.012
Weight (lbs): 0.26
Fixture Material: Aluminum

RATINGS AND CERTIFICATIONS
Certified By: Certified for North American Standards
IP rating: IP20



A3ID40-REC-SYS COMPONENTS

PROJECT _____

TYPE _____

NOTES _____

QUANTITY _____

DATE _____

A38876

DESCRIPTION

Idaho / Hypro 40 Recessed System Central Feed

GENERAL

Brand: Prolicht

Division: Architectural

PHYSICAL

Length (mm): 31

Length (in): 1 ¼

Width (mm): 27

Width (in): 1 ⅛

Height (mm): 45

Height (in): 1 ¾

Weight (kg): 0.046

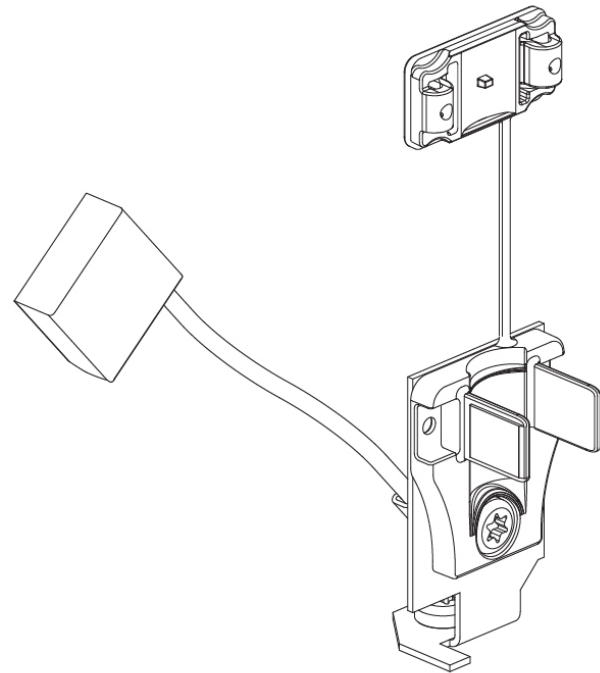
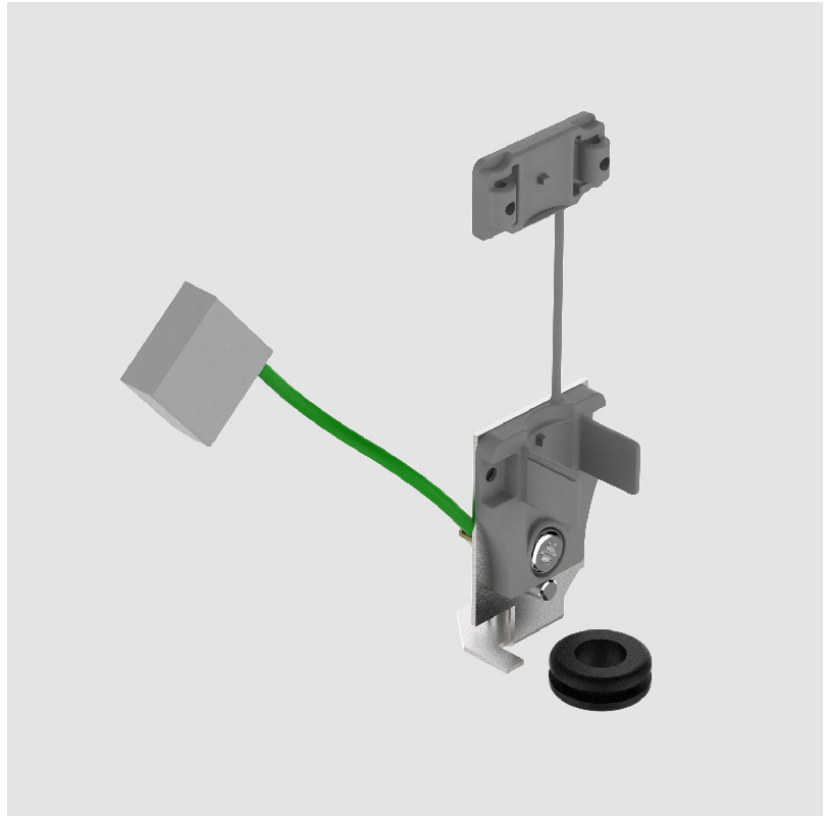
Weight (lbs): 0.10

Fixture Material: Aluminum

RATINGS AND CERTIFICATIONS

Certified By: Certified for North American Standards

IP rating: IP20



A

A3ID40-REC-SYS COMPONENTS

A38877

DESCRIPTION

Idaho / Hypro 40 Recessed System - Cable Holder

GENERAL

Brand: Prolicht

Division: Architectural

PHYSICAL

Length (mm): 25

Length (in): 1

Width (mm): 36

Width (in): 1 $\frac{7}{16}$

Height (mm): 22

Height (in): 7/8

Weight (kg): 0.004

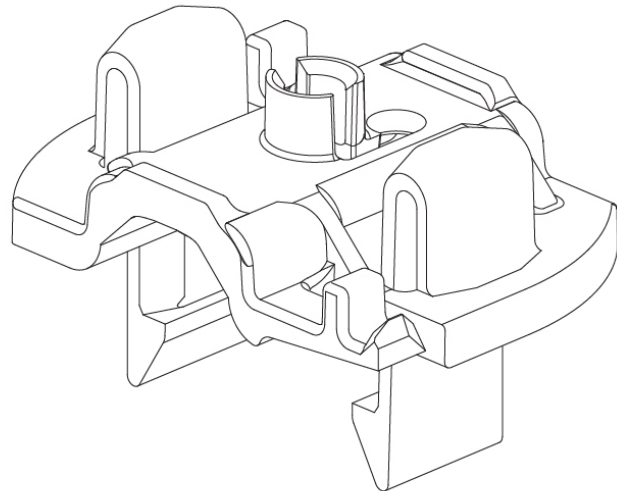
Weight (lbs): 0.008

Fixture Material: Aluminum

RATINGS AND CERTIFICATIONS

Certified By: Certified for North American Standards

IP rating: IP20



| |
|----------|
| PROJECT |
| TYPE |
| NOTES |
| QUANTITY |
| DATE |

A3ID40-REC-SYS COMPONENTS

A38878-

DESCRIPTION

LED (Zhaga Standard) Linear Insert - Hydro 40 Profile Insert - 16.5W - 2700K / 3000K / 3500K / 4000K

GENERAL

Brand: Prolicht
 Division: Architectural

PHYSICAL

Length (mm): 705
 Length (in): 27 ³/₄
 Width (mm): 29
 Width (in): 1 ¹/₈
 Height (mm): 50
 Height (in): 1 ¹⁵/₁₆
 Light Distribution: Direct
 Weight (kg): 0.64
 Weight (lbs): 1.41
 Fixture Material: Metal

ELECTRICAL

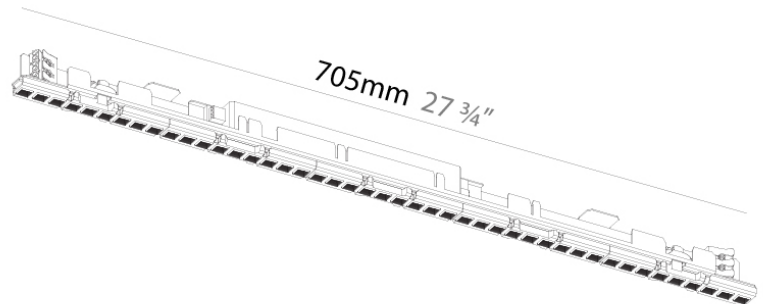
Input Wattage Range: 10 - 19 W
 Lamp Type: LED (Zhaga Standard)
 Input Wattage (W): 16.5
 Total Output Wattage (W): 15
 Dimming: Non-Dimmable / 0-10V Dimming
 Driver Included: Yes
 Driver Location: Integrated
 Driver Type: Constant Current - 120Vac
 Driver Class: Class 2
 Input Voltage (V): 120
 Constant Current (MA): 350

LED

Delivered Lumen Range: 1000 - 1999 lm
 Color Temperature (°K): 2700 / 3000 / 3500 / 4000
 Max. Delivered Lumen (lm): 1400 / 1490 / 1529 / 1560
 Nominal Lumen (lm): 2250 / 2400 / 2450 / 2500
 CRI: >80 CRI
 Lamp Life (hrs): 50000

RATINGS AND CERTIFICATIONS

Certified By: Certified for North American Standards
 IP rating: IP20



| |
|----------|
| PROJECT |
| TYPE |
| NOTES |
| QUANTITY |
| DATE |

A3ID40-REC-SYS COMPONENTS

A38879-

DESCRIPTION

LED (Zhaga Standard) Linear Insert - Hypro 40 Profile Insert - 35.6W LED (Zhaga Standard) - 2700K / 3000K / 3500K / 4000K

GENERAL

Brand: Prolicht
Division: Architectural

PHYSICAL

Length (mm): 1408
Length (in): 55 ⁷/₁₆
Width (mm): 29
Width (in): 1 ¹/₈
Height (mm): 50
Height (in): 1 ¹⁵/₁₆
Light Distribution: Direct
Weight (kg): 1.136
Weight (lbs): 2.5
Fixture Material: Metal

ELECTRICAL

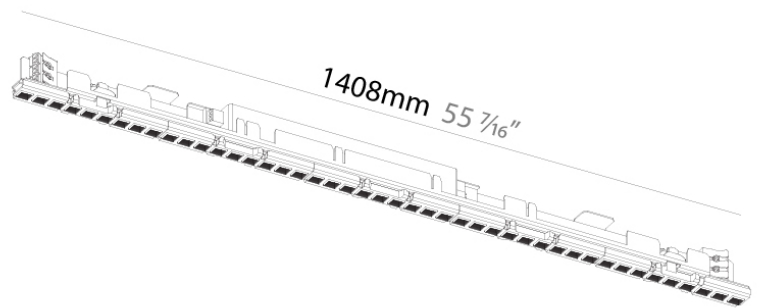
Input Wattage Range: 30 - 49 W
Lamp Type: LED (Zhaga Standard)
Input Wattage (W): 35.6
Total Output Wattage (W): 30
Dimming: Non-Dimmable / 0-10V Dimming
Driver Included: Yes
Driver Location: Integrated
Driver Type: Constant Current - 120Vac
Driver Class: Class 1 and Class 2
Input Voltage (V): 120
Constant Current (mA): 350

LED

Delivered Lumen Range: 2000 - 3999 lm
Color Temperature (°K): 2700 / 3000 / 3500 / 4000
Max. Delivered Lumen (lm): 2800 / 2990 / 3048 / 3110
Nominal Lumen (lm): 4500 / 4800 / 4900 / 5000
CRI: >80 CRI
Lamp Life (hrs): 50000

RATINGS AND CERTIFICATIONS

Certified By: Certified for North American Standards
IP rating: IP20



A3ID40-REC-SYS COMPONENTS

| |
|----------|
| PROJECT |
| TYPE |
| NOTES |
| QUANTITY |
| DATE |

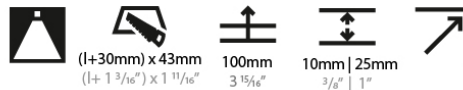
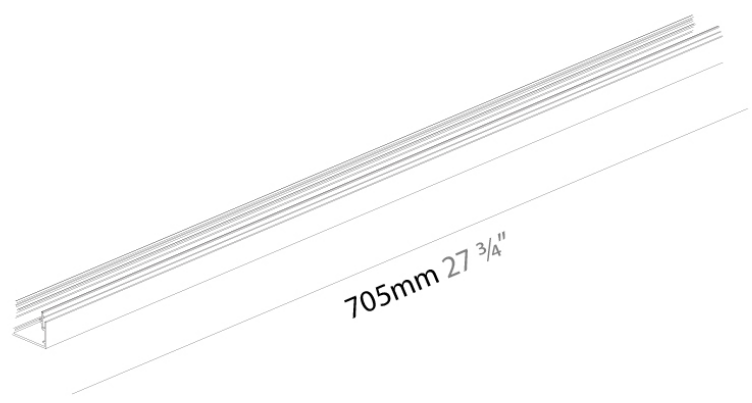
A38880

DESCRIPTION
Idaho 40 / Hypro 40 - System - 705mm Opal Diffuser

GENERAL
Brand: Prolicht
Division: Architectural

PHYSICAL
Shape: Rectangle
Length (mm): 705
Length (in): 27 3/4
Width (mm): 35
Width (in): 1 3/8
Height (mm): 28
Height (in): 1 1/8
Weight (kg): 0.138
Weight (lbs): 0.3
Diffuser: PMMA - Opal

RATINGS AND CERTIFICATIONS
Certified By: Certified for North American Standards
IP rating: IP20



| |
|----------|
| PROJECT |
| TYPE |
| NOTES |
| QUANTITY |
| DATE |

A3ID40-REC-SYS COMPONENTS

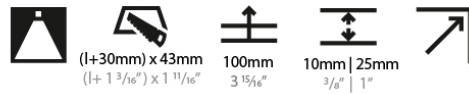
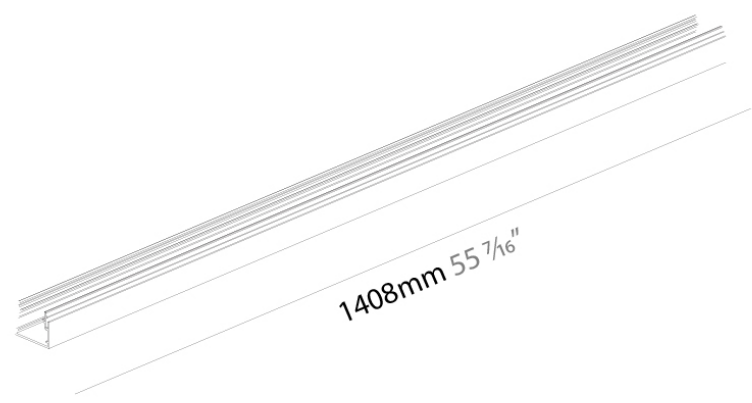
A38881

DESCRIPTION
Idaho / Hypro 40 System - 1408mm Opal Diffuser

GENERAL
Brand: Prolicht
Division: Architectural

PHYSICAL
Shape: Rectangle
Length (mm): 1408
Length (in): 55 ⁷/₁₆
Width (mm): 35
Width (in): 1 ³/₈
Height (mm): 28
Height (in): 1 ³/₈
Weight (kg): 0.276
Weight (lbs): 0.61

RATINGS AND CERTIFICATIONS
Certified By: Certified for North American Standards
IP rating: IP20



| |
|----------|
| PROJECT |
| TYPE |
| NOTES |
| QUANTITY |
| DATE |

A3ID40-REC-SYS COMPONENTS

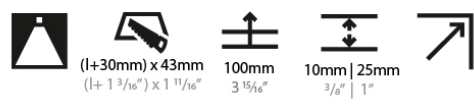
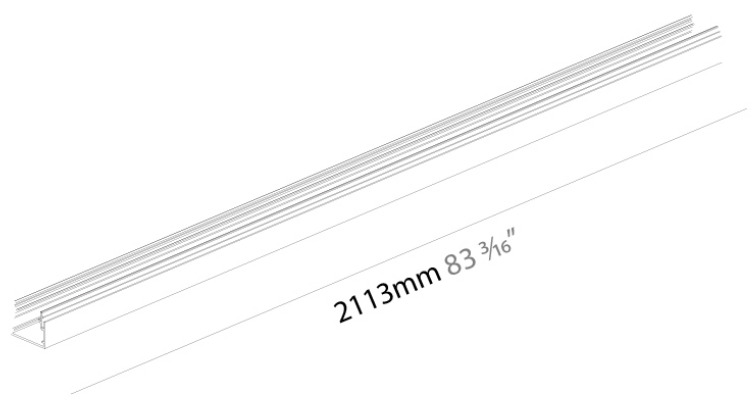
A38882

DESCRIPTION
Idaho 40 / Hypro 40 - System - 2113mm Opal Diffuser

GENERAL
Brand: Prolicht
Division: Architectural

PHYSICAL
Shape: Rectangle
Length (mm): 2113
Length (in): 83 ³/₁₆
Width (mm): 35
Width (in): 1 ³/₈
Height (mm): 28
Height (in): 1 ³/₈
Weight (kg): 0.41
Weight (lbs): 0.9

RATINGS AND CERTIFICATIONS
Certified By: Certified for North American Standards
IP rating: IP20



| |
|----------|
| PROJECT |
| TYPE |
| NOTES |
| QUANTITY |
| DATE |

A3ID40-REC-SYS COMPONENTS

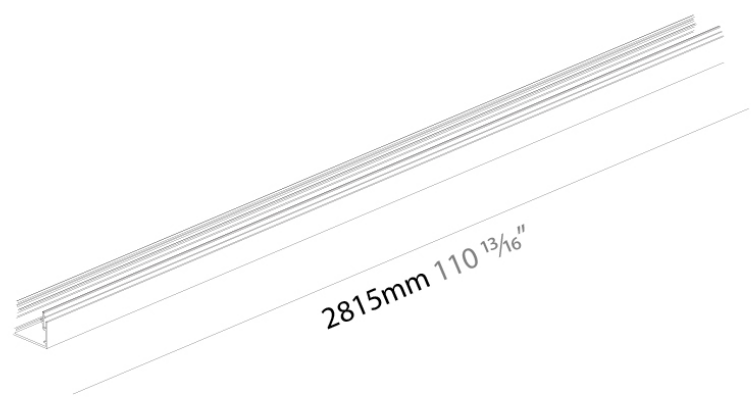
A38883

DESCRIPTION
Idaho 40 / Hypro 40 - System - 2815mm Opal Diffuser

GENERAL
Brand: Prolicht
Division: Architectural

PHYSICAL
Shape: Rectangle
Length (mm): 2815
Length (in): 110 ¹³/₁₆
Width (mm): 35
Width (in): 1 ³/₈
Height (mm): 28
Height (in): 1 ¹/₈
Weight (kg): 0.551
Weight (lbs): 1.215

RATINGS AND CERTIFICATIONS
Certified By: Certified for North American Standards
IP rating: IP20



| | |
|----------|--|
| PROJECT | |
| TYPE | |
| NOTES | |
| QUANTITY | |
| DATE | |

A3ID40-REC-SYS COMPONENTS

A38884

DESCRIPTION

Idaho 40 / Hypro 40 - Recessed System - 705mm Micro Prism Diffuser

GENERAL

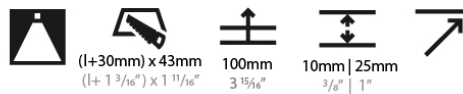
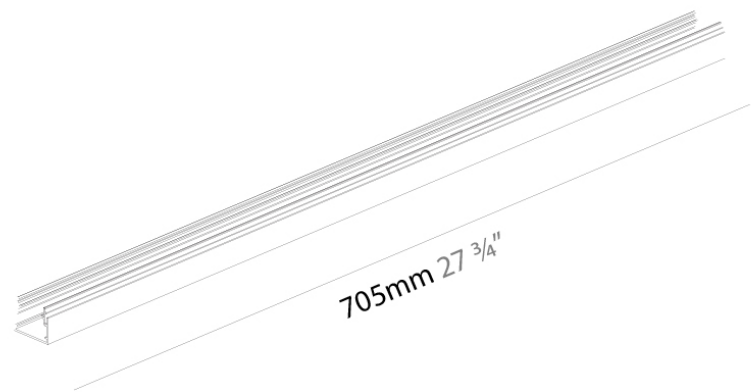
Brand: Prolicht
 Division: Architectural

PHYSICAL

Shape: Rectangle
 Length (mm): 705
 Length (in): 27 ³/₄
 Width (mm): 35
 Width (in): 1 ³/₈
 Height (mm): 28
 Height (in): 1 ¹/₈
 Weight (kg): 0.2
 Weight (lbs): 0.44
 Diffuser: PMMA - Micro-Prism

RATINGS AND CERTIFICATIONS

Certified By: Certified for North American Standards
 IP rating: IP20



| |
|----------|
| PROJECT |
| TYPE |
| NOTES |
| QUANTITY |
| DATE |

A3ID40-REC-SYS COMPONENTS

A38885

DESCRIPTION

Idaho 40 / Hypro 40 - Recessed System - 1408mm Micro Prism Diffuser

GENERAL

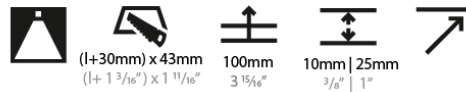
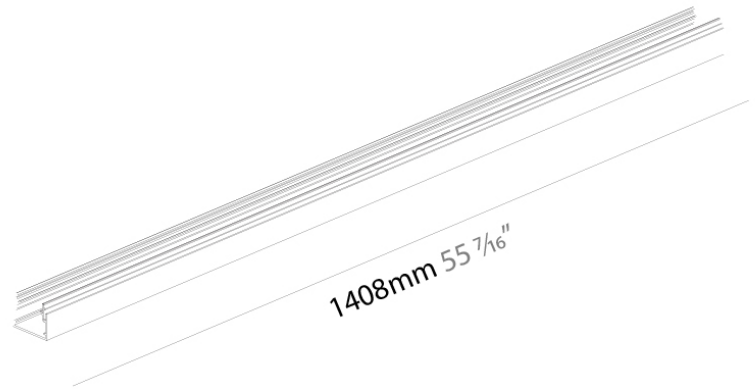
Brand: Prolicht
 Division: Architectural

PHYSICAL

Shape: Rectangle
 Length (mm): 1408
 Length (in): 55 ⁷/₁₆
 Width (mm): 35
 Width (in): 1 ³/₈
 Height (mm): 28
 Height (in): 1 ³/₈
 Weight (kg): 0.4
 Weight (lbs): 0.88
 Diffuser: PMMA - Micro-Prism

RATINGS AND CERTIFICATIONS

Certified By: Certified for North American Standards
 IP rating: IP20



| |
|----------|
| PROJECT |
| TYPE |
| NOTES |
| QUANTITY |
| DATE |

A3ID40-REC-SYS COMPONENTS

A38886

DESCRIPTION

Idaho 40 / Hypro 40 - Recessed System - 2113mm Micro Prism Diffuser

GENERAL

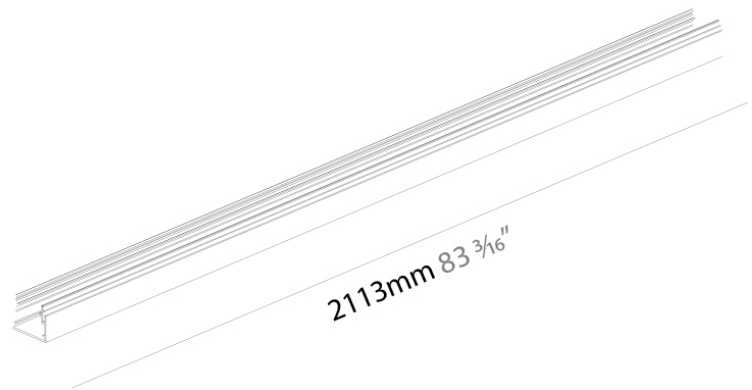
Brand: Prolicht
 Division: Architectural

PHYSICAL

Shape: Rectangle
 Length (mm): 2113
 Length (in): 83 ³/₁₆
 Width (mm): 35
 Width (in): 1 ³/₈
 Height (mm): 28
 Height (in): 1 ³/₈
 Weight (kg): 0.599
 Weight (lbs): 1 5/16
 Diffuser: PMMA - Micro-Prism

RATINGS AND CERTIFICATIONS

Certified By: Certified for North American Standards
 IP rating: IP20



| |
|----------|
| PROJECT |
| TYPE |
| NOTES |
| QUANTITY |
| DATE |

A3ID40-REC-SYS COMPONENTS

A38887

DESCRIPTION

Idaho 40 / Hypro 40 - Recessed System - 2815mm Micro Prism Diffuser

GENERAL

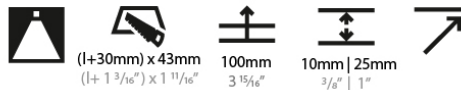
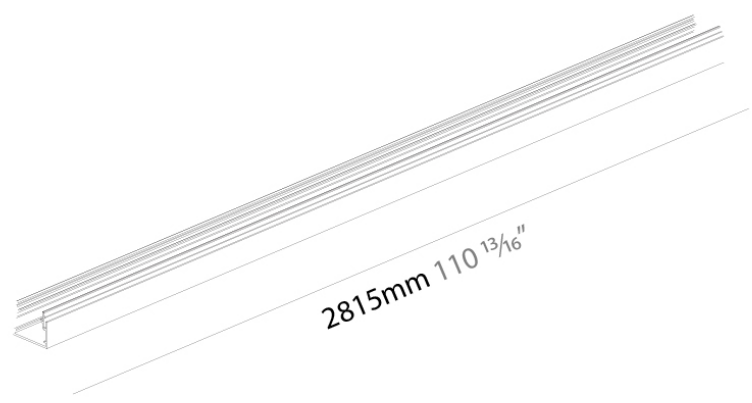
Brand: Prolicht
 Division: Architectural

PHYSICAL

Length (mm): 2815
 Length (in): 110 ¹³/₁₆
 Width (mm): 35
 Width (in): 1 ³/₈
 Height (mm): 28
 Height (in): 1 ³/₈
 Weight (kg): 0.798
 Weight (lbs): 1.76
 Diffuser: PMMA - Micro-Prism

RATINGS AND CERTIFICATIONS

Certified By: Certified for North American Standards
 IP rating: IP20



| | |
|----------|-------|
| PROJECT | _____ |
| TYPE | _____ |
| NOTES | _____ |
| QUANTITY | _____ |
| DATE | _____ |

A3ID40-REC-SYS COMPONENTS

A38892

DESCRIPTION

Idaho / Hypro 40 Recessed System - 1000mm Black Cover

GENERAL

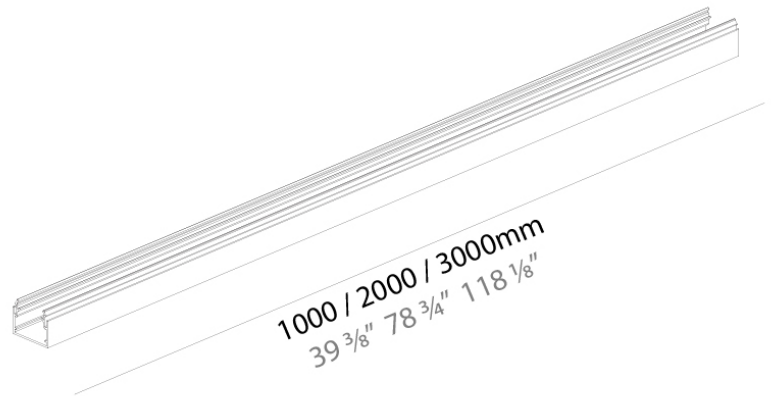
Series: Hypro
Subseries: Hypro 40
Brand: Prolicht
Division: Architectural

PHYSICAL

Shape: Rectangle
Length (mm): 1000
Length (in): $39 \frac{3}{8}$
Width (mm): 35
Width (in): $1 \frac{3}{8}$
Height (mm): 28
Height (in): $1 \frac{3}{8}$
Weight (kg): 0.194
Weight (lbs): 0.428
Fixture Material: Aluminum

RATINGS AND CERTIFICATIONS

Certified By: Certified for North American Standards
IP rating: IP20



A3ID40-REC-SYS COMPONENTS

A38893

DESCRIPTION

Idaho / Hypro 40 Recessed System - 2000mm Black Cover

GENERAL

Series: Hypro

Subseries: Hypro 40

Brand: Prolicht

Division: Architectural

PHYSICAL

Shape: Rectangle

Length (mm): 2000

Length (in): $78 \frac{3}{4}$

Width (mm): 35

Width (in): $1 \frac{3}{8}$

Height (mm): 28

Height (in): $1 \frac{1}{8}$

Weight (kg): 0.392

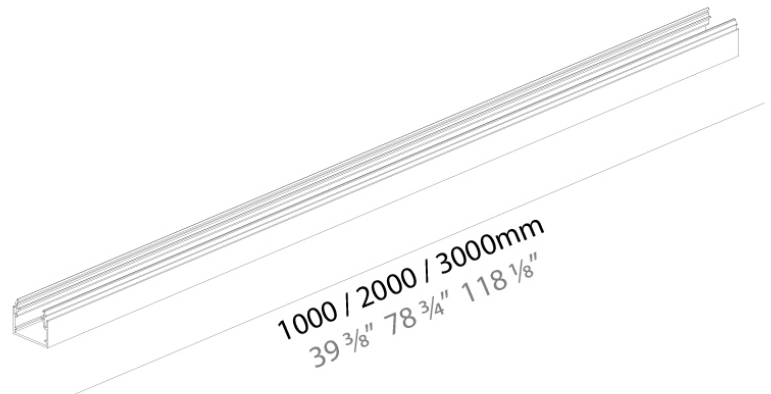
Weight (lbs): 0.86

Fixture Material: Aluminum

RATINGS AND CERTIFICATIONS

Certified By: Certified for North American Standards

IP rating: IP20



A3ID40-REC-SYS COMPONENTS

A38894

DESCRIPTION

Idaho / Hypro 40 Recessed System - 3000mm Black Cover

GENERAL

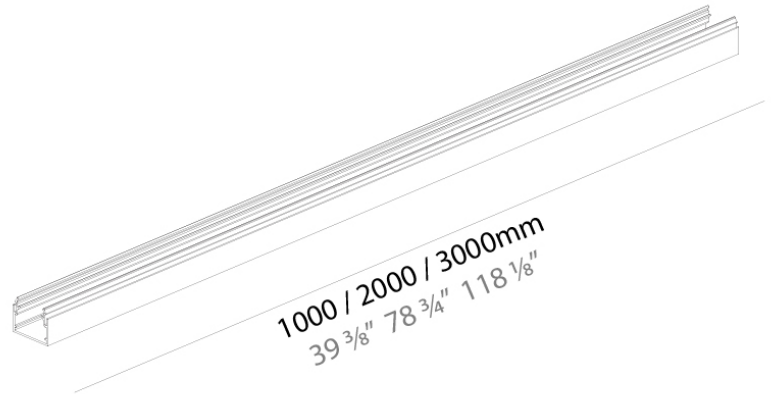
Series: Hypro
Subseries: Hypro 40
Brand: Prolicht
Division: Architectural

PHYSICAL

Shape: Rectangle
Length (mm): 3000
Length (in): 118 1/8
Width (mm): 35
Width (in): 1 3/8
Height (mm): 28
Height (in): 1 1/8
Weight (kg): 0.588
Weight (lbs): 1.3
Fixture Material: Aluminum

RATINGS AND CERTIFICATIONS

Certified By: Certified for North American Standards
IP rating: IP20



LEGEND

| | | | | | |
|--|---|---|--|---|--|
|  | floor-mounted |  | pivotal |  | special LED (upon request) RGB, RGBW, tunable, gold+, meat+, art+, fashion+ |
|  | wall and ceiling: recessed and surface mounted |  | rotating |  | warm dim / natural dimming LED |
|  | ceiling-mounted and wall-mounted |  | illuminate tilted |  | rechargeable battery powered |
|  | wall-mounted |  | color of suspension cable |  | fixture with natural vivid LED (upon request) |
|  | omni-directional light distribution |  | length of suspension cable |  | color rendering index |
|  | direct light distribution |  | reflector degree selection |  | color temperature |
|  | direct/indirect light distribution |  | super spot |  | lumen (luminous flux) |
|  | indirect light distribution |  | lens |  | efficacy (lumens per watt) |
|  | asymmetric light distribution |  | lens pack |  | Unified Glare Rating (UGR) range from 5-40 |
|  | aura light distribution |  | shine ring |  | marine grade (AISI 316 stainless steel) |
|  | round wall or ceiling cut-out |  | integrated shine ring with diffuser |  | walk on |
|  | square wall or ceiling cut-out |  | free individual colors 01-29 |  | drive on |
|  | the supplied jig specifies the cutout dimensions |  | individual colors: 00 (free of charge), 01-25 (extra charge) |  | Dark Sky Compliance |
|  | minimum distance (meters) lamp - object |  | luminaire part to be colored (F1) |  | Americans with Disabilities Act (less than 4" off the wall located between 27"-84" from floor) |
|  | recessed depth |  | luminaire part to be colored (F2) |  | lamp protected against explosion |
|  | ceiling thickness in mm |  | luminaire part to be colored (F3) |  | blown glass using traditional methods by master glass blower |
|  | ceiling thickness selection |  | luminaire part to be colored (F4) |  | acoustic material |
|  | dimmable DP (phase), DV (0-10V), DD (dali), DS (step-dim) |  | luminaire part to be colored (F5) |  | protection class I, protection insulation |
|  | included or excluded LED driver/transformer/control gear |  | color of 3-circuit adaptor |  | protection class II, protection insulation |
|  | separately switchable |  | indirect diffuser |  | ETL Certified to UL and CSA Standards |
|  | sensor |  | direct diffuser |  | UL Certified to UL and CSA Standards |
|  | remote control |  | ball-proof (upon request) |  | CSA Certified to UL and CSA Standards |
|  | available upon request |  | accessory |  | Certified for North American Standards |

IP RATING

| | |
|---|--|
|  | protected against ingress of solid bodies greater than 12.5mm (finger) |
|  | protected against ingress of solid bodies greater than 2.5mm protected against sprays of water up to 60 degrees from the vertical (rain) |
|  | protected against ingress of solid bodies greater than 1mm (wire) no protection against the ingress of moisture |
|  | protected against ingress of solid bodies greater than 1mm (wire) protected against sprays of water up to 60 degrees from the vertical (rain) |
|  | protected against ingress of solid bodies greater than 1mm (wire) protected against water splashed from all directions |
|  | protected against limited ingress of dust (wet rooms/covered outdoor areas) protected against water splashed from all directions |
|  | protected against ingress of dust protected against jets of water |
|  | protected against ingress of dust protected against powerful jets of water or heavy seas |
|  | protected against ingress of dust protected against immersion of water between 15cm - 1m for 30 minutes |
|  | protected against ingress of dust protected against immersion of water under pressure for long periods |

IK RATING

| | |
|---|---|
|  | protected against 0.14 joules impact (equivalent to 0.25kg mass dropped from 56mm above the surface) |
|  | protected against 0.2 joules impact (equivalent to 0.25kg mass dropped from 80mm above the surface) |
|  | protected against 0.35 joules impact (equivalent to 0.25kg mass dropped from 140mm above the surface) |
|  | protected against 0.5 joules impact (equivalent to 0.25kg mass dropped from 200mm above the surface) |
|  | protected against 0.7 joules impact (equivalent to 0.25kg mass dropped from 280mm above the surface) |
|  | protected against 1 joules impact (equivalent to 0.25kg mass dropped from 400mm above the surface) |
|  | protected against 2 joules impact (equivalent to 0.5kg mass dropped from 400mm above the surface) |
|  | protected against 5 joules impact (equivalent to 1.7kg mass dropped from 300mm above the surface) |
|  | protected against 10 joules impact (equivalent to 5.0kg mass dropped from 200mm above the surface) |
|  | protected against 20 joules impact (equivalent to 5.0kg mass dropped from 400mm above the surface) |