

A3ID40-SUR-SYS COMPONENTS

A380114

DESCRIPTION

Idaho / Hypro 40 System - Per Meter - Opal Diffuser

GENERAL

Series: Hypro

Subseries: Hypro 40

Brand: Prolicht

Division: Architectural

PHYSICAL

Shape: Rectangle

Length (mm): Max. 3000

Length (in): Max. 118 1/9

Width (mm): 35

Width (in): 1 3/8

Height (mm): 28

Height (in): 1 1/8

Diffuser: PMMA - Opal Diffuser - Per Meter

Fixture Material: Aluminum

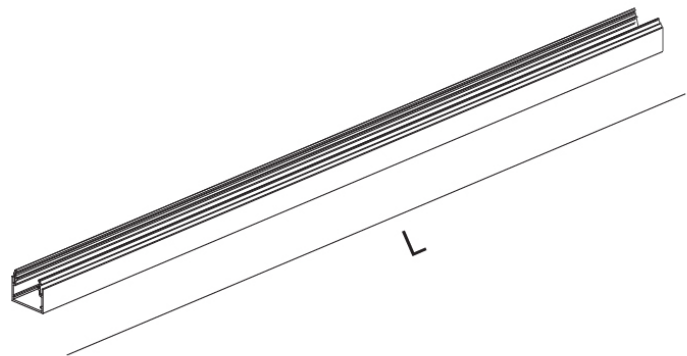
ELECTRICAL

Lamp Type: LED (Zhaga Standard)

RATINGS AND CERTIFICATIONS

Certified By: Certified for North American Standards

IP rating: IP20



PROJECT	_____
TYPE	_____
NOTES	_____
QUANTITY	_____
DATE	_____

A3ID40-SUR-SYS COMPONENTS

A380115

DESCRIPTION

Idaho / Hypro 40 System - 1128mm - Opal Diffuser

GENERAL

Series: Hypro
Subseries: Hypro 40
Brand: Prolicht
Division: Architectural

PHYSICAL

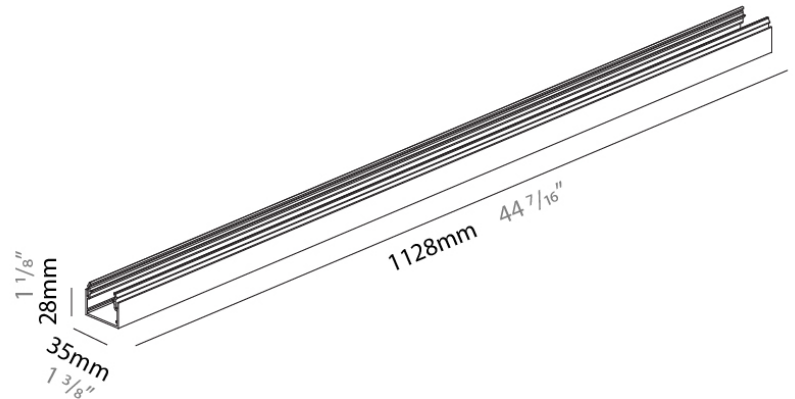
Shape: Rectangle
Length (mm): 1128
Length (in): 44 ⁷/₁₆
Width (mm): 35
Width (in): 1 ³/₈
Height (mm): 28
Height (in): 1 ¹/₈
Weight (kg): 0.221
Weight (lbs): 0.49
Diffuser: PMMA - Opal Diffuser - Per Meter
Fixture Material: Aluminum

ELECTRICAL

Lamp Type: LED (Zhaga Standard)

RATINGS AND CERTIFICATIONS

Certified By: Certified for North American Standards
IP rating: IP20



A3ID40-SUR-SYS COMPONENTS

PROJECT	_____
TYPE	_____
NOTES	_____
QUANTITY	_____
DATE	_____

A380116

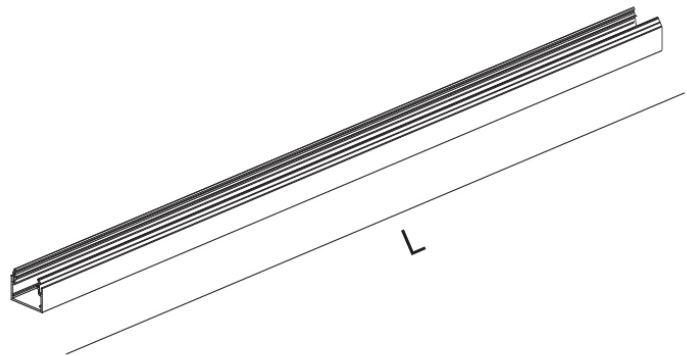
DESCRIPTION
Idaho / Hypro 40 System - Per Meter - Micro - Prism - Diffuser

GENERAL
Series: Hypro
Subseries: Hypro 40
Brand: Prolicht
Division: Architectural

PHYSICAL
Shape: Rectangle
Width (mm): 35
Width (in): 1 $\frac{3}{8}$
Height (mm): 28
Height (in): 1 $\frac{1}{8}$
Diffuser: PMMA - Micro Prism - Diffuser - Per Meter
Fixture Material: Aluminum

ELECTRICAL
Lamp Type: LED (Zhaga Standard)

RATINGS AND CERTIFICATIONS
Certified By: Certified for North American Standards
IP rating: IP20



PROJECT	_____
TYPE	_____
NOTES	_____
QUANTITY	_____
DATE	_____

A3ID40-SUR-SYS COMPONENTS

A380117

DESCRIPTION

Idaho / Hypro 40 System - 1128mm - Micro - Prism - Diffuser

GENERAL

Series: Hypro
Subseries: Hypro 40
Brand: Prolicht
Division: Architectural

PHYSICAL

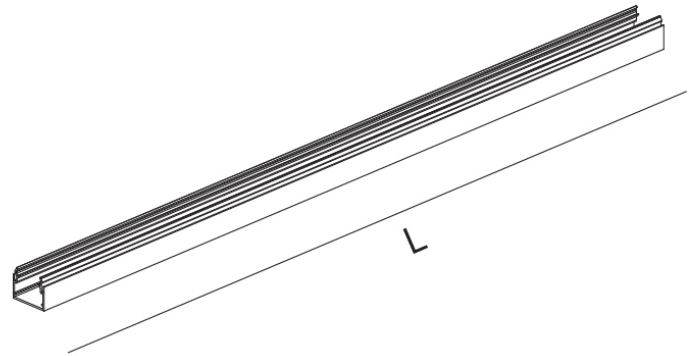
Shape: Rectangle
Length (mm): 1128
Length (in): $44 \frac{7}{16}$
Width (mm): 35
Width (in): $1 \frac{3}{8}$
Height (mm): 28
Height (in): $1 \frac{3}{8}$
Diffuser: PMMA - Micro Prism - Diffuser - Per Meter
Fixture Material: Aluminum

ELECTRICAL

Lamp Type: LED (Zhaga Standard)

RATINGS AND CERTIFICATIONS

Certified By: Certified for North American Standards
IP rating: IP20



PROJECT	_____
TYPE	_____
NOTES	_____
QUANTITY	_____
DATE	_____

A3ID40-SUR-SYS COMPONENTS

A38870

DESCRIPTION

Idaho / Hypro 40 Recessed System Linear Coupler

GENERAL

Brand: Prolicht

Division: Architectural

PHYSICAL

Shape: Rectangle

Length (mm): 150

Length (in): 5 ⁷/₈

Width (mm): 35

Width (in): 1 ³/₈

Height (mm): 33

Height (in): 1 ⁵/₁₆

Weight (kg): 0.167

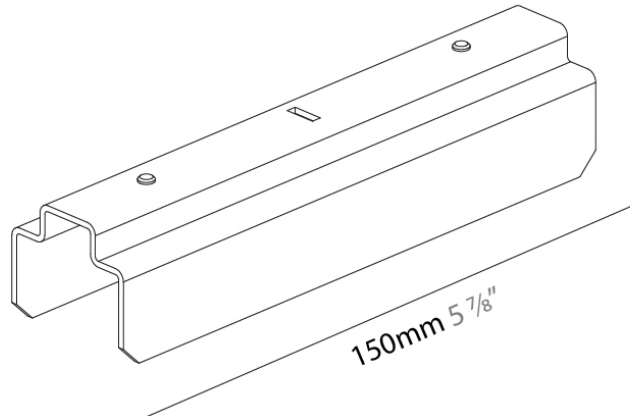
Weight (lbs): 0.37

Fixture Material: Aluminum

RATINGS AND CERTIFICATIONS

Certified By: Certified for North American Standards

IP rating: IP20



A3ID40-SUR-SYS COMPONENTS

PROJECT _____

TYPE _____

NOTES _____

QUANTITY _____

DATE _____

A38876

DESCRIPTION

Idaho / Hypro 40 Recessed System Central Feed

GENERAL

Brand: Prolicht

Division: Architectural

PHYSICAL

Length (mm): 31

Length (in): 1 ¼

Width (mm): 27

Width (in): 1 ⅛

Height (mm): 45

Height (in): 1 ¾

Weight (kg): 0.046

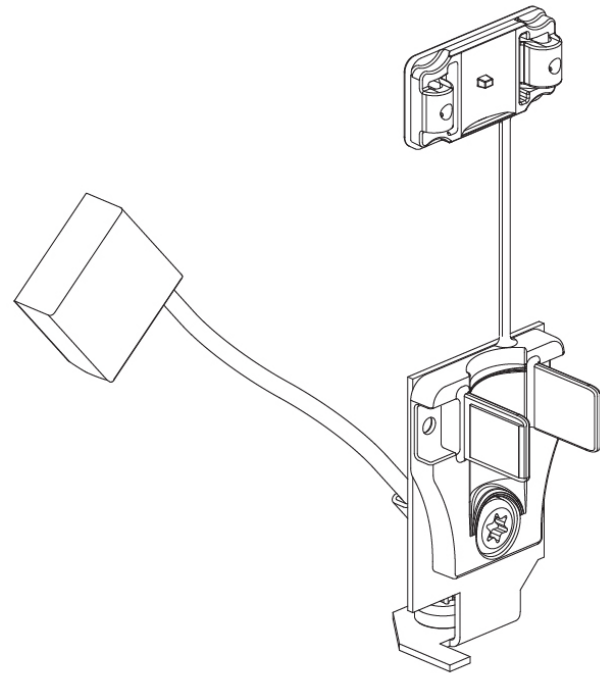
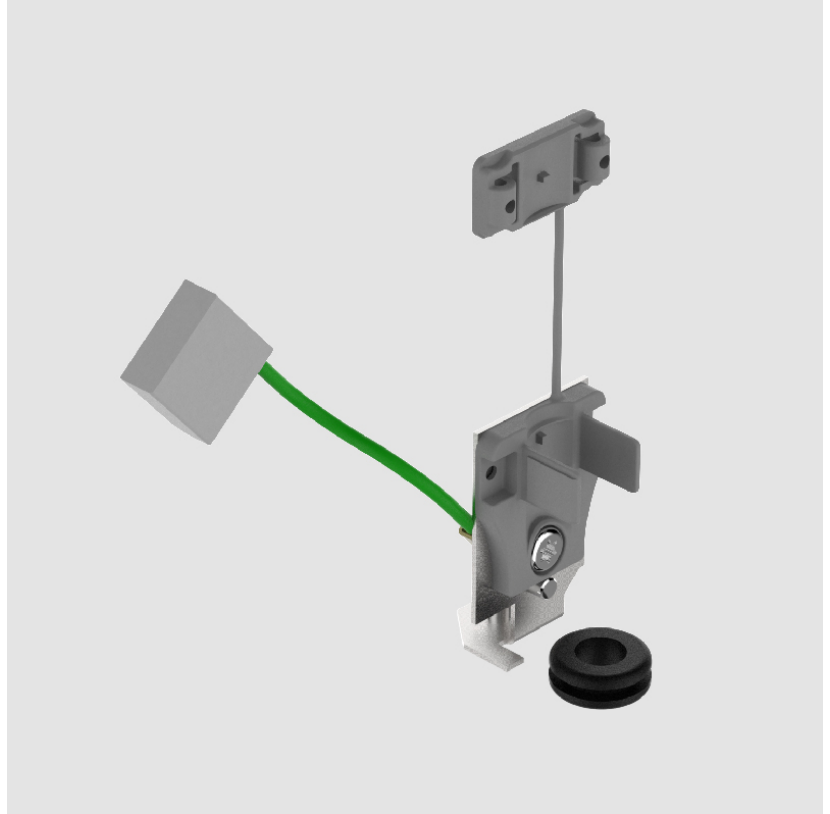
Weight (lbs): 0.10

Fixture Material: Aluminum

RATINGS AND CERTIFICATIONS

Certified By: Certified for North American Standards

IP rating: IP20



A

A3ID40-SUR-SYS COMPONENTS

A38877

DESCRIPTION

Idaho / Hypro 40 Recessed System - Cable Holder

GENERAL

Brand: Prolicht

Division: Architectural

PHYSICAL

Length (mm): 25

Length (in): 1

Width (mm): 36

Width (in): 1 $\frac{7}{16}$

Height (mm): 22

Height (in): 7/8

Weight (kg): 0.004

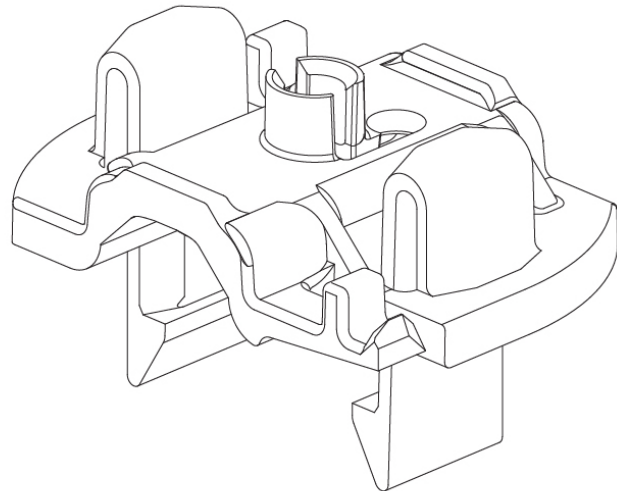
Weight (lbs): 0.008

Fixture Material: Aluminum

RATINGS AND CERTIFICATIONS

Certified By: Certified for North American Standards

IP rating: IP20



A3ID40-SUR-SYS COMPONENTS

A38878-

DESCRIPTION

LED (Zhaga Standard) Linear Insert - Hydro 40 Profile Insert - 16.5W - 2700K / 3000K / 3500K / 4000K

GENERAL

Brand: Prolicht

Division: Architectural

PHYSICAL

Length (mm): 705

Length (in): 27 ³/₄

Width (mm): 29

Width (in): 1 ¹/₁₈

Height (mm): 50

Height (in): 1 ¹⁵/₁₆

Light Distribution: Direct

Weight (kg): 0.64

Weight (lbs): 1.41

Fixture Material: Metal

ELECTRICAL

Input Wattage Range: 10 - 19 W

Lamp Type: LED (Zhaga Standard)

Input Wattage (W): 16.5

Total Output Wattage (W): 15

Dimming: Non-Dimmable / 0-10V Dimming

Driver Included: Yes

Driver Location: Integrated

Driver Type: Constant Current - 120Vac

Driver Class: Class 2

Input Voltage (V): 120

Constant Current (mA): 350

LED

Delivered Lumen Range: 1000 - 1999 lm

Color Temperature (°K): 2700 / 3000 / 3500 / 4000

Max. Delivered Lumen (lm): 1400 / 1490 / 1529 / 1560

Nominal Lumen (lm): 2250 / 2400 / 2450 / 2500

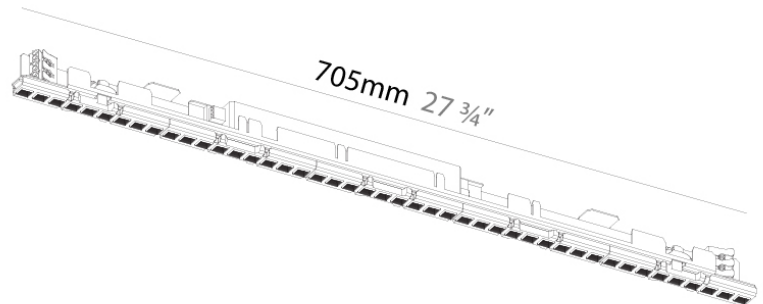
CRI: >80 CRI

Lamp Life (hrs): 50000

RATINGS AND CERTIFICATIONS

Certified By: Certified for North American Standards

IP rating: IP20



PROJECT
TYPE
NOTES
QUANTITY
DATE

A3ID40-SUR-SYS COMPONENTS

A38879-

DESCRIPTION

LED (Zhaga Standard) Linear Insert - Hypro 40 Profile Insert - 35.6W LED (Zhaga Standard) - 2700K / 3000K / 3500K / 4000K

GENERAL

Brand: Prolicht
Division: Architectural

PHYSICAL

Length (mm): 1408
Length (in): 55 ⁷/₁₆
Width (mm): 29
Width (in): 1 ¹/₈
Height (mm): 50
Height (in): 1 ¹⁵/₁₆
Light Distribution: Direct
Weight (kg): 1.136
Weight (lbs): 2.5
Fixture Material: Metal

ELECTRICAL

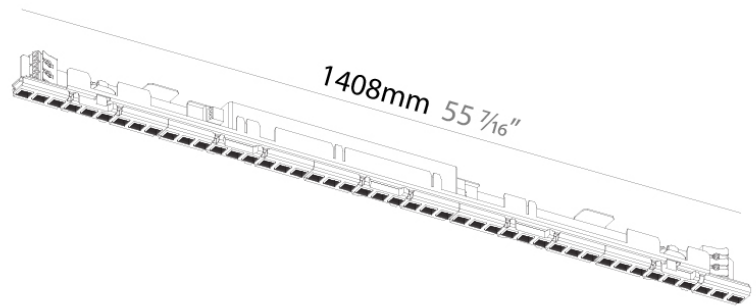
Input Wattage Range: 30 - 49 W
Lamp Type: LED (Zhaga Standard)
Input Wattage (W): 35.6
Total Output Wattage (W): 30
Dimming: Non-Dimmable / 0-10V Dimming
Driver Included: Yes
Driver Location: Integrated
Driver Type: Constant Current - 120Vac
Driver Class: Class 1 and Class 2
Input Voltage (V): 120
Constant Current (MA): 350

LED

Delivered Lumen Range: 2000 - 3999 lm
Color Temperature (°K): 2700 / 3000 / 3500 / 4000
Max. Delivered Lumen (lm): 2800 / 2990 / 3048 / 3110
Nominal Lumen (lm): 4500 / 4800 / 4900 / 5000
CRI: >80 CRI
Lamp Life (hrs): 50000

RATINGS AND CERTIFICATIONS

Certified By: Certified for North American Standards
IP rating: IP20



A3ID40-SUR-SYS COMPONENTS

A38880

DESCRIPTION

Idaho 40 / Hypro 40 - System - 705mm Opal Diffuser

GENERAL

Brand: Prolicht

Division: Architectural

PHYSICAL

Shape: Rectangle

Length (mm): 705

Length (in): 27 ³/₄

Width (mm): 35

Width (in): 1 ³/₈

Height (mm): 28

Height (in): 1 ¹/₈

Weight (kg): 0.138

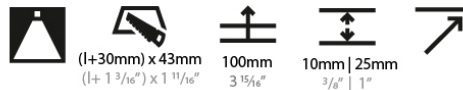
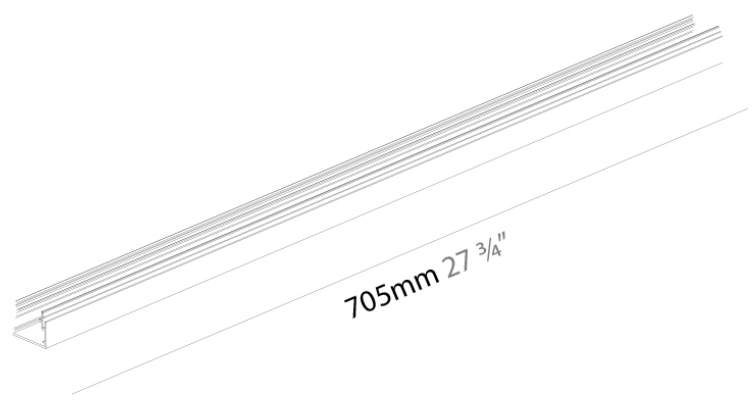
Weight (lbs): 0.3

Diffuser: PMMA - Opal

RATINGS AND CERTIFICATIONS

Certified By: Certified for North American Standards

IP rating: IP20



A3ID40-SUR-SYS COMPONENTS

PROJECT	
TYPE	
NOTES	
QUANTITY	
DATE	

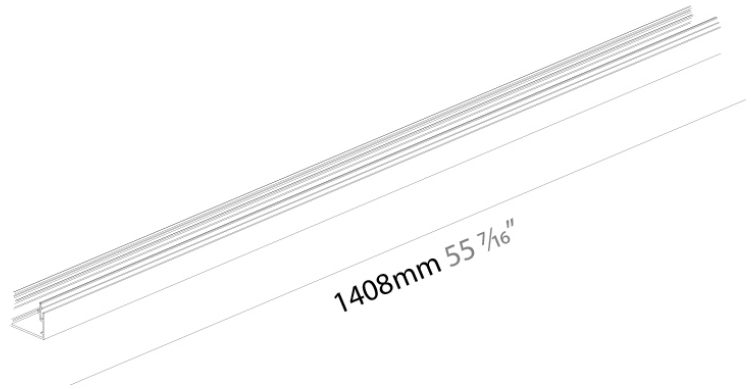
A38881

DESCRIPTION
Idaho / Hypro 40 System - 1408mm Opal Diffuser

GENERAL
Brand: Prolicht
Division: Architectural

PHYSICAL
Shape: Rectangle
Length (mm): 1408
Length (in): 55 ⁷/₁₆
Width (mm): 35
Width (in): 1 ³/₈
Height (mm): 28
Height (in): 1 ³/₈
Weight (kg): 0.276
Weight (lbs): 0.61

RATINGS AND CERTIFICATIONS
Certified By: Certified for North American Standards
IP rating: IP20



PROJECT
TYPE
NOTES
QUANTITY
DATE

A3ID40-SUR-SYS COMPONENTS

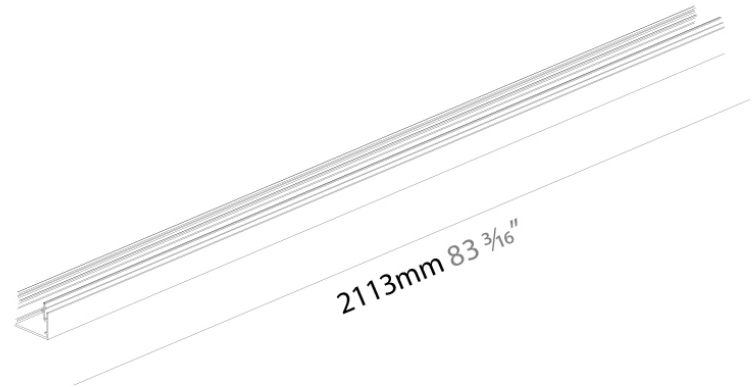
A38882

DESCRIPTION
Idaho 40 / Hypro 40 - System - 2113mm Opal Diffuser

GENERAL
Brand: Prolicht
Division: Architectural

PHYSICAL
Shape: Rectangle
Length (mm): 2113
Length (in): 83 ³/₁₆
Width (mm): 35
Width (in): 1 ³/₈
Height (mm): 28
Height (in): 1 ³/₈
Weight (kg): 0.41
Weight (lbs): 0.9

RATINGS AND CERTIFICATIONS
Certified By: Certified for North American Standards
IP rating: IP20



A3ID40-SUR-SYS COMPONENTS

A38883

DESCRIPTION

Idaho 40 / Hypro 40 - System - 2815mm Opal Diffuser

GENERAL

Brand: Prolicht

Division: Architectural

PHYSICAL

Shape: Rectangle

Length (mm): 2815

Length (in): 110 ¹³/₁₆

Width (mm): 35

Width (in): 1 ³/₈

Height (mm): 28

Height (in): 1 ¹/₈

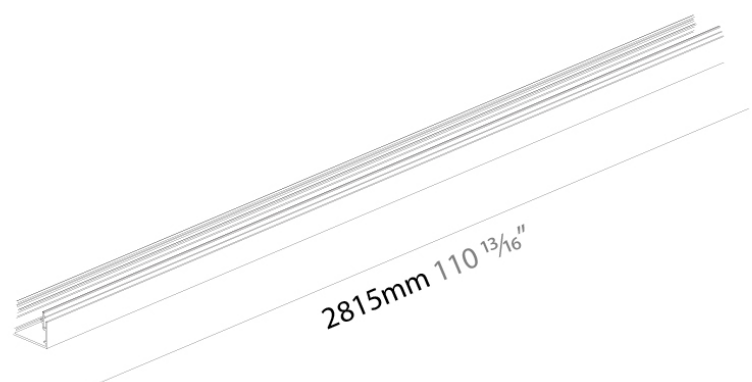
Weight (kg): 0.551

Weight (lbs): 1.215

RATINGS AND CERTIFICATIONS

Certified By: Certified for North American Standards

IP rating: IP20



(+30mm) x 43mm
(+ 1 ³/₁₆") x 1 ¹¹/₁₆"



100mm
3 ¹⁵/₁₆"



10mm | 25mm
³/₈" | 1"



A3ID40-SUR-SYS COMPONENTS

PROJECT	
TYPE	
NOTES	
QUANTITY	
DATE	

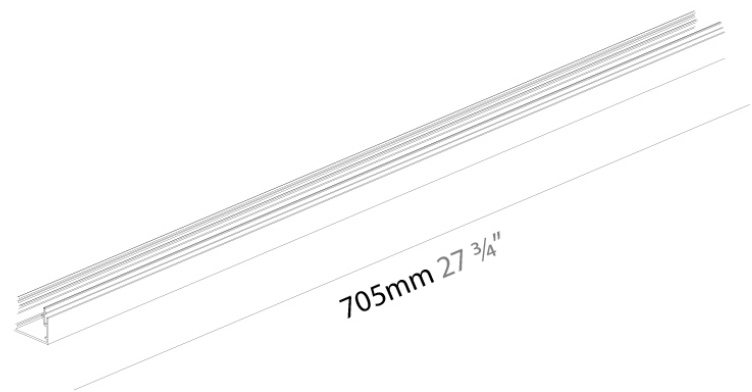
A38884

DESCRIPTION
 Idaho 40 / Hypro 40 - Recessed System - 705mm Micro Prism Diffuser

GENERAL
 Brand: Prolicht
 Division: Architectural

PHYSICAL
 Shape: Rectangle
 Length (mm): 705
 Length (in): 27 3/4
 Width (mm): 35
 Width (in): 1 3/8
 Height (mm): 28
 Height (in): 1 1/8
 Weight (kg): 0.2
 Weight (lbs): 0.44
 Diffuser: PMMA - Micro-Prism

RATINGS AND CERTIFICATIONS
 Certified By: Certified for North American Standards
 IP rating: IP20



A3ID40-SUR-SYS COMPONENTS

A38885

DESCRIPTION

Idaho 40 / Hypro 40 - Recessed System - 1408mm Micro Prism Diffuser

GENERAL

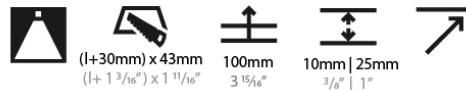
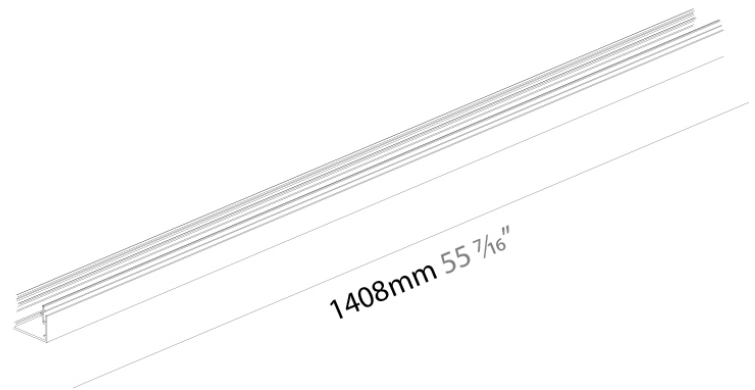
Brand: Prolicht _____
 Division: Architectural _____

PHYSICAL

Shape: Rectangle _____
 Length (mm): 1408 _____
 Length (in): 55 ⁷/₁₆ _____
 Width (mm): 35 _____
 Width (in): 1 ³/₈ _____
 Height (mm): 28 _____
 Height (in): 1 ³/₈ _____
 Weight (kg): 0.4 _____
 Weight (lbs): 0.88 _____
 Diffuser: PMMA - Micro-Prism _____

RATINGS AND CERTIFICATIONS

Certified By: Certified for North American Standards _____
 IP rating: IP20 _____



PROJECT
TYPE
NOTES
QUANTITY
DATE

A3ID40-SUR-SYS COMPONENTS

A38886

DESCRIPTION

Idaho 40 / Hypro 40 - Recessed System - 2113mm Micro Prism Diffuser

GENERAL

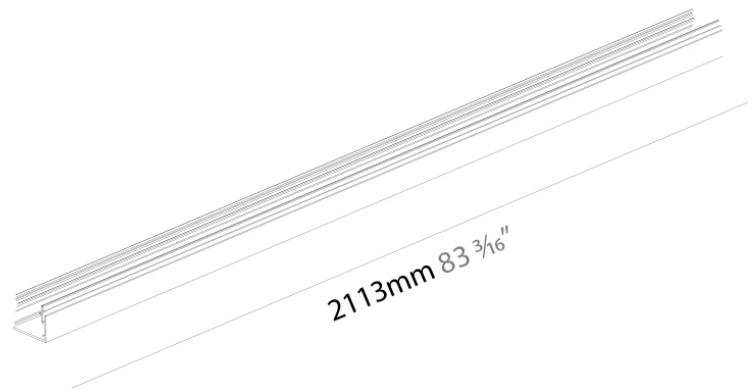
Brand: Prolicht
 Division: Architectural

PHYSICAL

Shape: Rectangle
 Length (mm): 2113
 Length (in): 83 ³/₁₆
 Width (mm): 35
 Width (in): 1 ³/₈
 Height (mm): 28
 Height (in): 1 ³/₈
 Weight (kg): 0.599
 Weight (lbs): 1 5/16
 Diffuser: PMMA - Micro-Prism

RATINGS AND CERTIFICATIONS

Certified By: Certified for North American Standards
 IP rating: IP20



A3ID40-SUR-SYS COMPONENTS

A38887

DESCRIPTION

Idaho 40 / Hypro 40 - Recessed System - 2815mm Micro Prism Diffuser

GENERAL

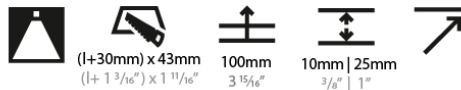
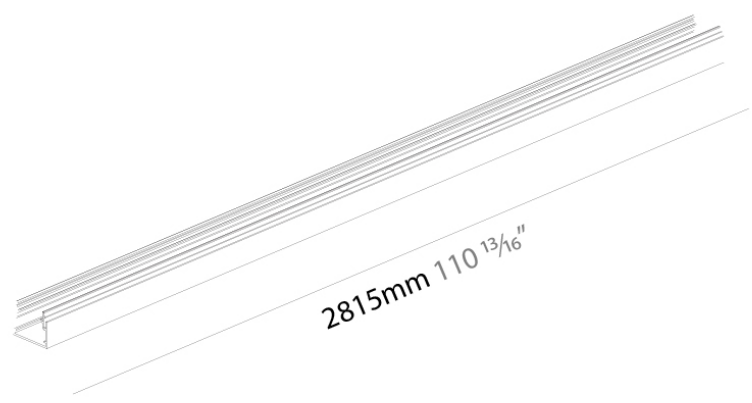
Brand: Prolicht _____
 Division: Architectural _____

PHYSICAL

Length (mm): 2815 _____
 Length (in): 110 ¹³/₁₆ _____
 Width (mm): 35 _____
 Width (in): 1 ³/₈ _____
 Height (mm): 28 _____
 Height (in): 1 ³/₈ _____
 Weight (kg): 0.798 _____
 Weight (lbs): 1.76 _____
 Diffuser: PMMA - Micro-Prism _____

RATINGS AND CERTIFICATIONS

Certified By: Certified for North American Standards _____
 IP rating: IP20 _____



PROJECT
TYPE
NOTES
QUANTITY
DATE

A3ID40-SUR-SYS COMPONENTS

A38892

DESCRIPTION

Idaho / Hypro 40 Recessed System - 1000mm Black Cover

GENERAL

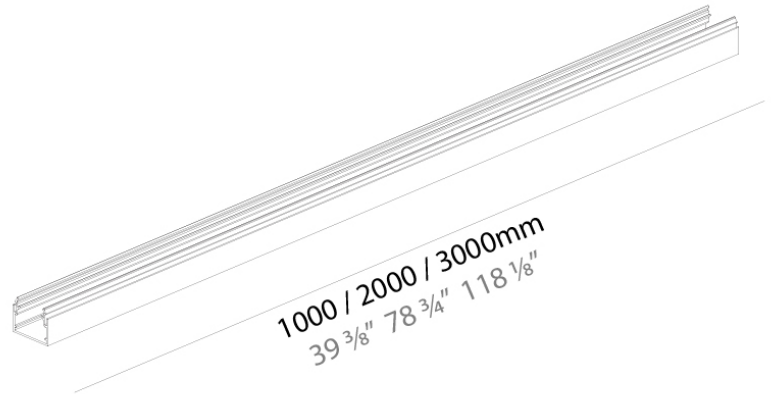
Series: Hypro
 Subseries: Hypro 40
 Brand: Prolicht
 Division: Architectural

PHYSICAL

Shape: Rectangle
 Length (mm): 1000
 Length (in): 39 ³/₈
 Width (mm): 35
 Width (in): 1 ³/₈
 Height (mm): 28
 Height (in): 1 ¹/₈
 Weight (kg): 0.194
 Weight (lbs): 0.428
 Fixture Material: Aluminum

RATINGS AND CERTIFICATIONS

Certified By: Certified for North American Standards
 IP rating: IP20



A3ID40-SUR-SYS COMPONENTS

A38893

DESCRIPTION

Idaho / Hypro 40 Recessed System - 2000mm Black Cover

GENERAL

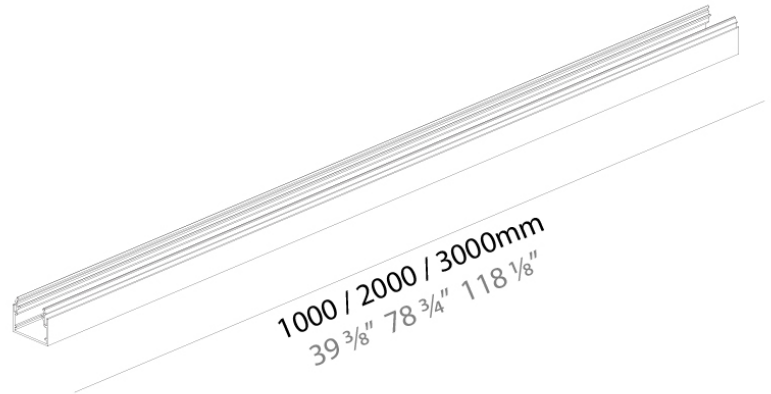
Series: Hypro
Subseries: Hypro 40
Brand: Prolicht
Division: Architectural

PHYSICAL

Shape: Rectangle
Length (mm): 2000
Length (in): $78 \frac{3}{4}$
Width (mm): 35
Width (in): $1 \frac{3}{8}$
Height (mm): 28
Height (in): $1 \frac{1}{8}$
Weight (kg): 0.392
Weight (lbs): 0.86
Fixture Material: Aluminum

RATINGS AND CERTIFICATIONS

Certified By: Certified for North American Standards
IP rating: IP20



PROJECT
TYPE
NOTES
QUANTITY
DATE

A3ID40-SUR-SYS COMPONENTS

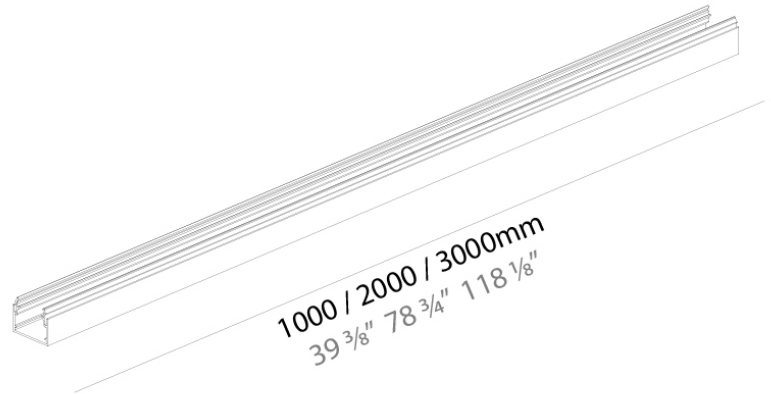
A38894

DESCRIPTION
Idaho / Hypro 40 Recessed System - 3000mm Black Cover

GENERAL
Series: Hypro
Subseries: Hypro 40
Brand: Prolicht
Division: Architectural

PHYSICAL
Shape: Rectangle
Length (mm): 3000
Length (in): 118 1/8
Width (mm): 35
Width (in): 1 3/8
Height (mm): 28
Height (in): 1 1/8
Weight (kg): 0.588
Weight (lbs): 1.3
Fixture Material: Aluminum

RATINGS AND CERTIFICATIONS
Certified By: Certified for North American Standards
IP rating: IP20



A3ID40-SUR-SYS COMPONENTS

PROJECT	
TYPE	
NOTES	
QUANTITY	
DATE	

A38937-

DESCRIPTION

Idaho 40 / Hypro 40 - Suspension End Cap

GENERAL

Brand: Prolicht

Division: Architectural

PHYSICAL

Shape: Rectangle

Length (mm): 38

Length (in): 1 1/2

Width (mm): 12

Width (in): 1/2

Height (mm): 76

Height (in): 3

Weight (kg): 0.046

Weight (lbs): .10

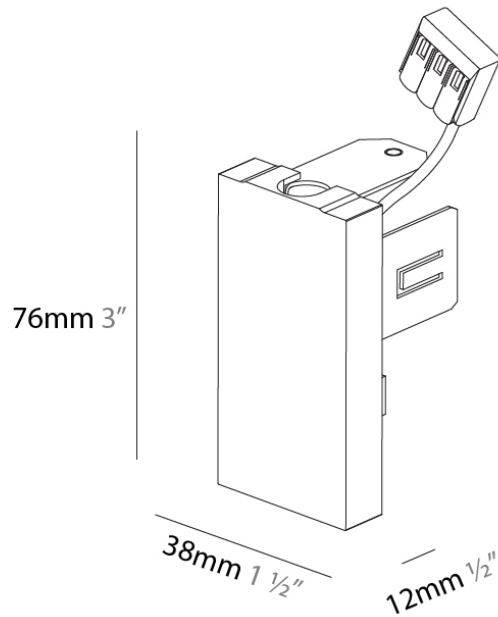
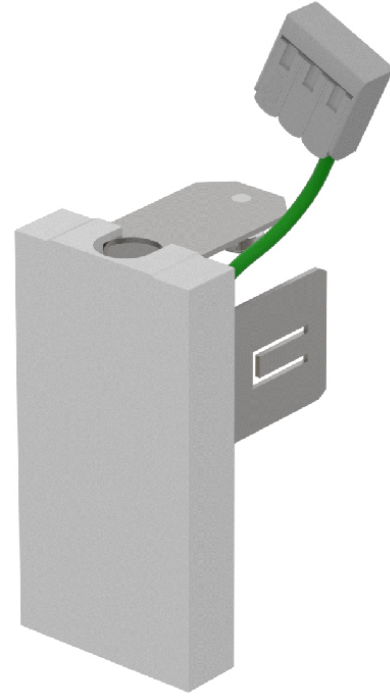
Fixture Finish: SSR / BKV / CWI / CRY / HAB / UFT / ITA / RUA / FTG / MYG / LOD / PUS / FRO / FUP / KIA / POP / BLS / SPG / MEY / GOH / GUM / CHC / COM / ABZ / JAG / OBR / MOS / ROR

Fixture Material: Aluminum

RATINGS AND CERTIFICATIONS

Certified By: Certified for North American Standards

IP rating: IP20



PROJECT
TYPE
NOTES
QUANTITY
DATE

A3ID40-SUR-SYS COMPONENTS

A38939-

DESCRIPTION

Idaho 40 / Hypro 40 - Surface/Suspension L-Coupler

GENERAL

Brand: Prolicht

Division: Architectural

PHYSICAL

Length (mm): 70

Length (in): 2 3/4

Width (mm): 70

Width (in): 2 3/4

Height (mm): 76

Height (in): 3

Weight (kg): 0.247

Weight (lbs): 0.54

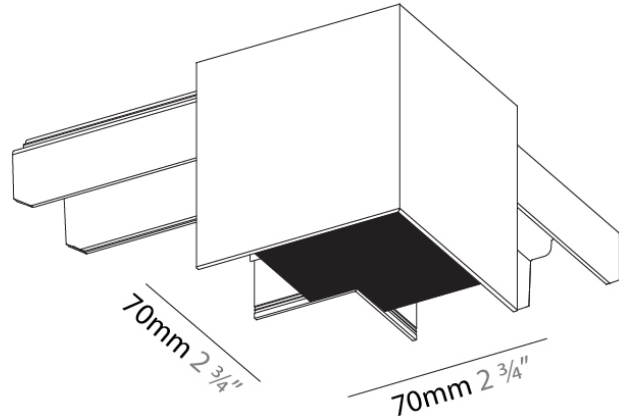
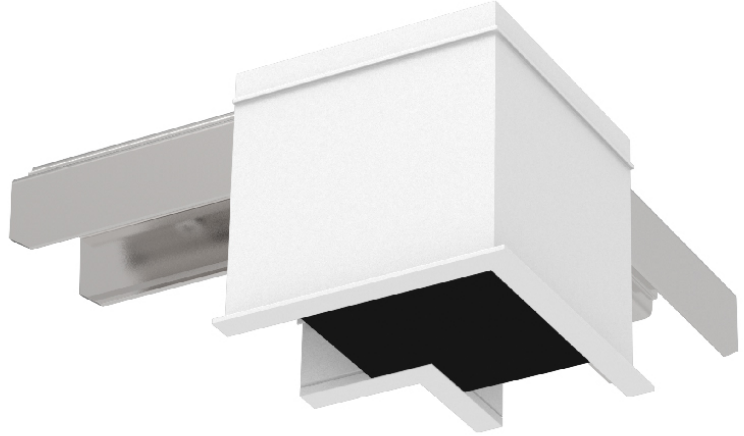
Fixture Finish: SSR / BKV / CWI / CRY / HAB / UFT / ITA / RUA / FTG / MYG / LOD / PUS / FRO / FUP / KIA / POP / BLS / SPG / MEY / GOH / GUM / CHC / COM / ABZ / JAG / OBR / MOS / ROR

Fixture Material: Aluminum

RATINGS AND CERTIFICATIONS

Certified By: Certified for North American Standards

IP rating: IP20



PROJECT	
TYPE	
NOTES	
QUANTITY	
DATE	

A3ID40-SUR-SYS COMPONENTS

A38940-

DESCRIPTION

Idaho 40 / Hypro 40 - Surface/Suspension T-Coupler

GENERAL

Brand: Prolicht

Division: Architectural

PHYSICAL

Length (mm): 100

Length (in): 3 ¹⁵/₁₆

Width (mm): 70

Width (in): 2 ³/₄

Height (mm): 76

Height (in): 3

Weight (kg): 0.524

Weight (lbs): 1.16

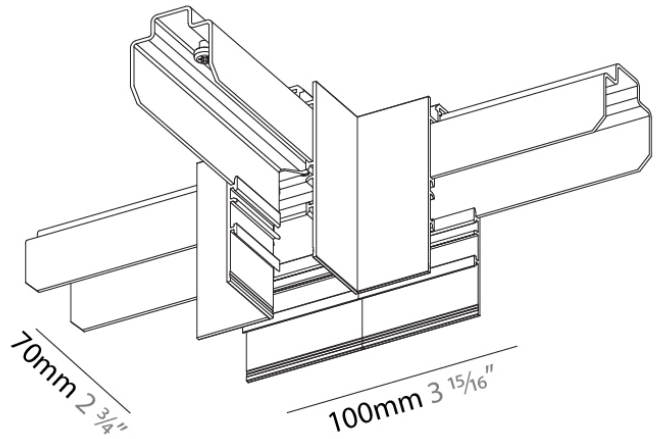
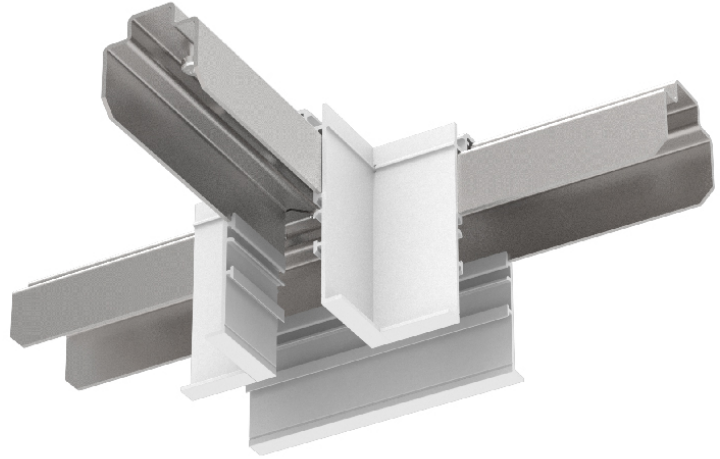
Fixture Finish: SSR / BKV / CWI / CRY / HAB / UFT / ITA / RUA / FTG / MYG / LOD / PUS / FRO / FUP / KIA / POP / BLS / SPG / MEY / GOH / GUM / CHC / COM / ABZ / JAG / OBR / MOS / ROR

Fixture Material: Aluminum

RATINGS AND CERTIFICATIONS

Certified By: Certified for North American Standards

IP rating: IP20



PROJECT
TYPE
NOTES
QUANTITY
DATE

A3ID40-SUR-SYS COMPONENTS

A38941-

DESCRIPTION

Idaho 40 / Hypro 40 - Surface/Suspension X-Coupler

GENERAL

Brand: Prolicht

Division: Architectural

PHYSICAL

Length (mm): 100

Length (in): 3 ¹⁵/₁₆

Width (mm): 100

Width (in): 3 ¹⁵/₁₆

Height (mm): 76

Height (in): 3

Weight (kg): 0.675

Weight (lbs): 1.49

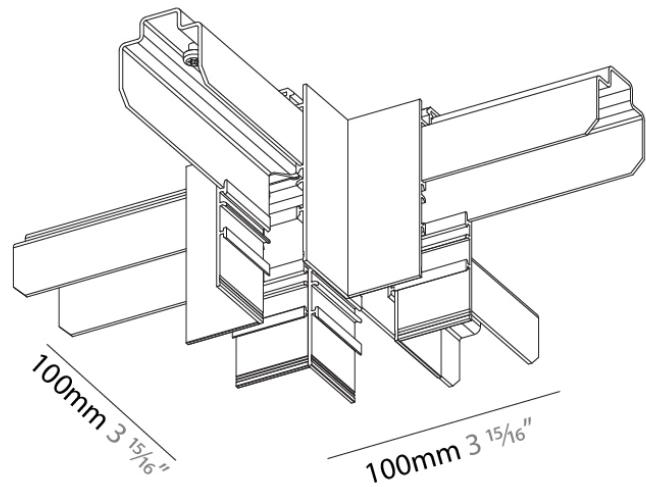
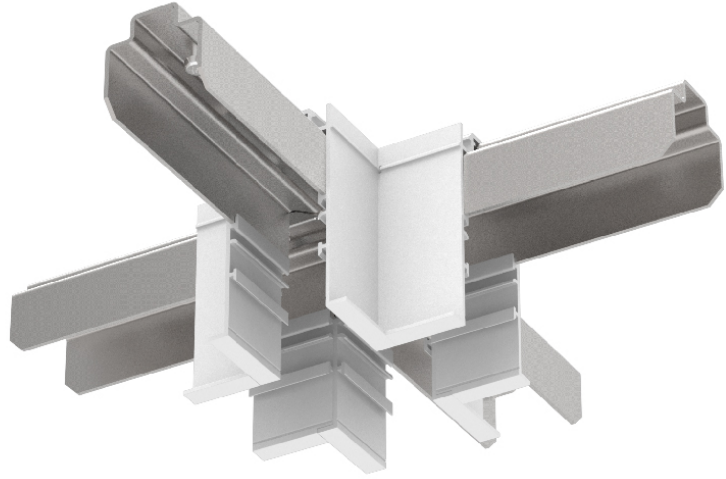
Fixture Finish: SSR / BKV / CWI / CRY / HAB / UFT / ITA / RUA / FTG / MYG / LOD / PUS / FRO / FUP / KIA / POP / BLS / SPG / MEY / GOH / GUM / CHC / COM / ABZ / JAG / OBR / MOS / ROR

Fixture Material: Aluminum

RATINGS AND CERTIFICATIONS

Certified By: Certified for North American Standards

IP rating: IP20



A3ID40-SUR-SYS COMPONENTS

PROJECT	_____
TYPE	_____
NOTES	_____
QUANTITY	_____
DATE	_____

A38942-

DESCRIPTION

Idaho 40 / Hypro 40 - Surface/Suspension Ceiling-Wall Coupler

GENERAL

Brand: Prolicht

Division: Architectural

PHYSICAL

Length (mm): 49

Length (in): 1 ¹⁵/₁₆

Width (mm): 49

Width (in): 1 ¹⁵/₁₆

Height (mm): 210

Height (in): 8 ¹/₄

Weight (kg): 0.587

Weight (lbs): 1.29

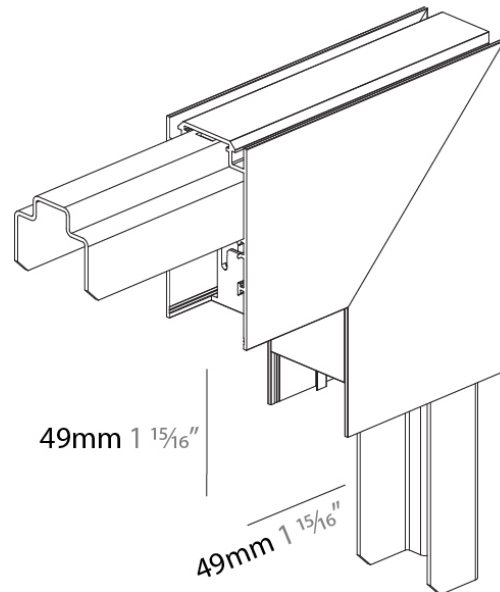
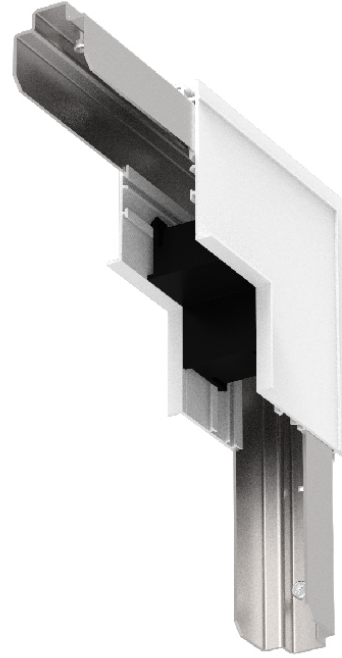
Fixture Finish: SSR / BKV / CWI / CRY / HAB / UFT / ITA / RUA / FTG / MYG / LOD / PUS / FRO / FUP / KIA / POP / BLS / SPG / MEY / GOH / GUM / CHC / COM / ABZ / JAG / OBR / MOS / ROR

Fixture Material: Aluminum

RATINGS AND CERTIFICATIONS

Certified By: Certified for North American Standards

IP rating: IP20



A3ID40-SUR-SYS COMPONENTS

PROJECT	_____
TYPE	_____
NOTES	_____
QUANTITY	_____
DATE	_____

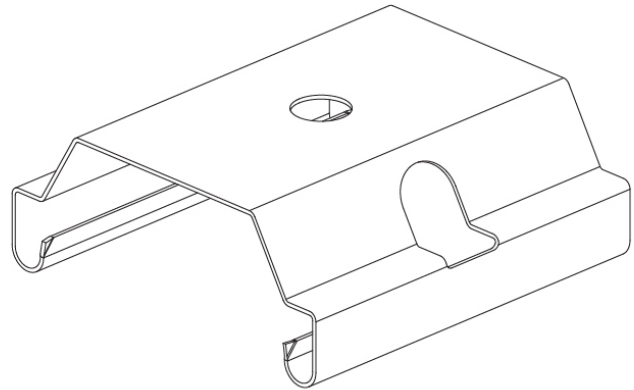
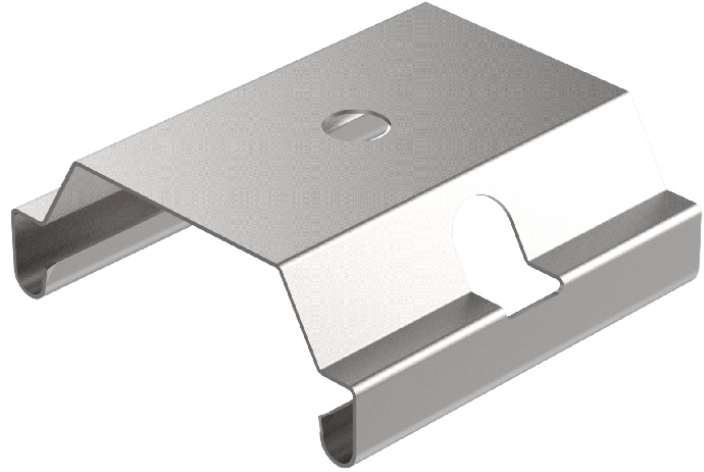
A38943

DESCRIPTION
Idaho 40 / Hypro 40 - Surface Installation Clip

GENERAL
Brand: Prolicht
Division: Architectural

PHYSICAL
Length (mm): 30
Length (in): 1 ³/₁₆
Width (mm): 30
Width (in): 1 ³/₁₆
Height (mm): 12
Height (in): 1/2
Weight (kg): 0.004
Weight (lbs): 1/8
Fixture Finish: SSR / BKV / CWI / CRY / HAB / UFT / ITA / RUA / FTG / MYG / LOD / PUS / FRO / FUP / KIA / POP / BLS / SPG / MEY / GOH / GUM / CHC / COM / ABZ / JAG / OBR / MOS / ROR
Fixture Material: Aluminum

RATINGS AND CERTIFICATIONS
Certified By: Certified for North American Standards
IP rating: IP20



PROJECT
TYPE
NOTES
QUANTITY
DATE

A3ID40-SUR-SYS COMPONENTS SURFACE

A3D117-

DESCRIPTION

Idaho 40 / Hypro 40 - Surface System Profile per meter - Max 3000mm / 118 1/8"

GENERAL

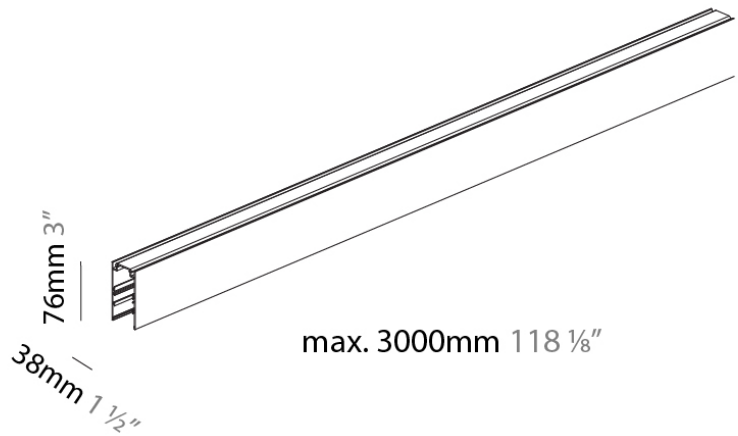
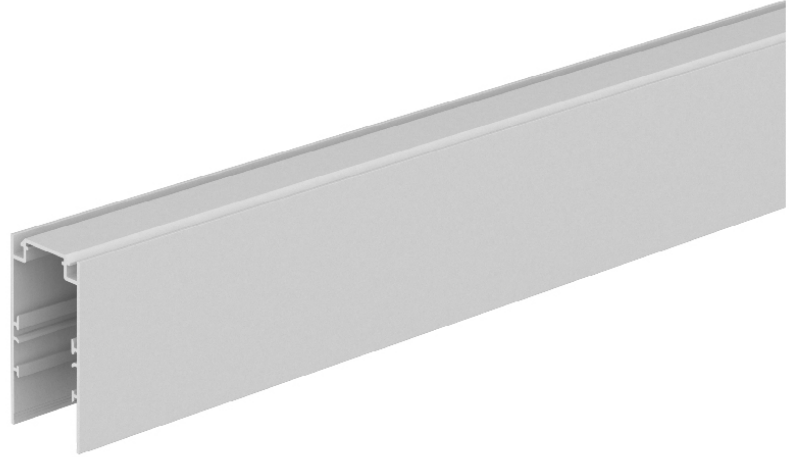
Brand: Prolicht
Division: Architectural
Mounting Type: Surface
Mounting Location: Ceiling
Subcategory: Profile

PHYSICAL

Shape: Rectangle
Length (mm): 1000
Length (in): 39 3/8
Width (mm): 38
Width (in): 1 1/2
Height (mm): 76
Height (in): 3
Weight (kg): 0.959
Weight (lbs): 2.11
Fixture Finish: SSR / BKV / CWI / CRY / HAB / UFT / ITA / RUA / FTG / MYG / LOD / PUS / FRO / FUP / KIA / POP / BLS / SPG / MEY / GOH / GUM / CHC / COM / ABZ / JAG / OBR / MOS / ROR
Fixture Material: Aluminum

RATINGS AND CERTIFICATIONS

Certified By: Certified for North American Standards
IP rating: IP20



LEGEND

	floor-mounted		pivotal		special LED (upon request) RGB, RGBW, tunable, gold+, meat+, art+, fashion+
	wall and ceiling: recessed and surface mounted		rotating		warm dim / natural dimming LED
	ceiling-mounted and wall-mounted		illuminate tilted		rechargeable battery powered
	wall-mounted		color of suspension cable		fixture with natural vivid LED (upon request)
	omni-directional light distribution		length of suspension cable		color rendering index
	direct light distribution		reflector degree selection		color temperature
	direct/indirect light distribution		super spot		lumen (luminous flux)
	indirect light distribution		lens		efficacy (lumens per watt)
	asymmetric light distribution		lens pack		Unified Glare Rating (UGR) range from 5-40
	aura light distribution		shine ring		marine grade (AISI 316 stainless steel)
	round wall or ceiling cut-out		integrated shine ring with diffuser		walk on
	square wall or ceiling cut-out		free individual colors 01-29		drive on
	the supplied jig specifies the cutout dimensions		individual colors: 00 (free of charge), 01-25 (extra charge)		Dark Sky Compliance
	minimum distance (meters) lamp - object		luminaire part to be colored (F1)		Americans with Disabilities Act (less than 4" off the wall located between 27"-84" from floor)
	recessed depth		luminaire part to be colored (F2)		lamp protected against explosion
	ceiling thickness in mm		luminaire part to be colored (F3)		blown glass using traditional methods by master glass blower
	ceiling thickness selection		luminaire part to be colored (F4)		acoustic material
	dimmable DP (phase), DV (0-10V), DD (dali), DS (step-dim)		luminaire part to be colored (F5)		protection class I, protection insulation
	included or excluded LED driver/transformer/control gear		color of 3-circuit adaptor		protection class II, protection insulation
	separately switchable		indirect diffuser		ETL Certified to UL and CSA Standards
	sensor		direct diffuser		UL Certified to UL and CSA Standards
	remote control		ball-proof (upon request)		CSA Certified to UL and CSA Standards
	available upon request		accessory		Certified for North American Standards

IP RATING

	protected against ingress of solid bodies greater than 12.5mm (finger)
	protected against ingress of solid bodies greater than 2.5mm protected against sprays of water up to 60 degrees from the vertical (rain)
	protected against ingress of solid bodies greater than 1mm (wire) no protection against the ingress of moisture
	protected against ingress of solid bodies greater than 1mm (wire) protected against sprays of water up to 60 degrees from the vertical (rain)
	protected against ingress of solid bodies greater than 1mm (wire) protected against water splashed from all directions
	protected against limited ingress of dust (wet rooms/covered outdoor areas) protected against water splashed from all directions
	protected against ingress of dust protected against jets of water
	protected against ingress of dust protected against powerful jets of water or heavy seas
	protected against ingress of dust protected against immersion of water between 15cm - 1m for 30 minutes
	protected against ingress of dust protected against immersion of water under pressure for long periods

IK RATING

	protected against 0.14 joules impact (equivalent to 0.25kg mass dropped from 56mm above the surface)
	protected against 0.2 joules impact (equivalent to 0.25kg mass dropped from 80mm above the surface)
	protected against 0.35 joules impact (equivalent to 0.25kg mass dropped from 140mm above the surface)
	protected against 0.5 joules impact (equivalent to 0.25kg mass dropped from 200mm above the surface)
	protected against 0.7 joules impact (equivalent to 0.25kg mass dropped from 280mm above the surface)
	protected against 1 joules impact (equivalent to 0.25kg mass dropped from 400mm above the surface)
	protected against 2 joules impact (equivalent to 0.5kg mass dropped from 400mm above the surface)
	protected against 5 joules impact (equivalent to 1.7kg mass dropped from 300mm above the surface)
	protected against 10 joules impact (equivalent to 5.0kg mass dropped from 200mm above the surface)
	protected against 20 joules impact (equivalent to 5.0kg mass dropped from 400mm above the surface)