

A3ID40-TRI-SYS COMPONENTS TRIMLESS

A3674400

DESCRIPTION

Idaho 40 System - Trimless Profile per Meter - Max 3000mm / 118 1/8"

GENERAL

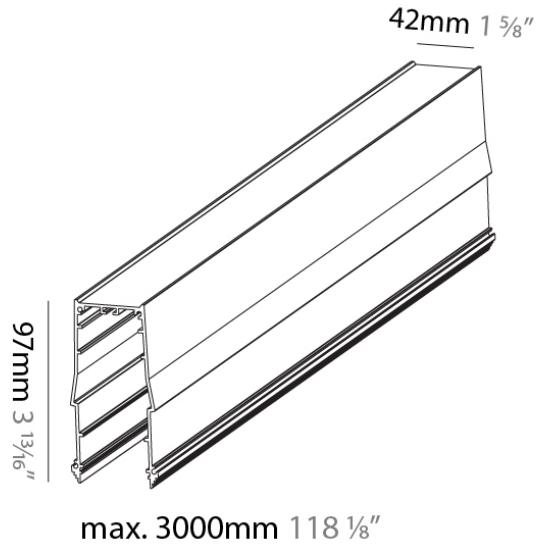
Series: Idaho _____
Subseries: Idaho 40 _____
Brand: Prolicht _____
Division: Architectural _____
Mounting Type: Trimless _____
Mounting Location: Ceiling _____

PHYSICAL

Shape: Rectangle _____
Length (mm): 1000 _____
Length (in): 39 3/8 _____
Width (mm): 42 _____
Width (in): 1 5/8 _____
Height (mm): 97 _____
Height (in): 3 13/16 _____
Weight (kg): 1.43 _____
Weight (lbs): 3.15 _____
Fixture Material: Aluminum _____

RATINGS AND CERTIFICATIONS

Certified By: Certified for North American Standards _____
IP rating: IP20 _____



PROJECT
TYPE
NOTES
QUANTITY
DATE

A3ID40-TRI-SYS COMPONENTS TRIMLESS

A38096-

DESCRIPTION

Idaho 40 System - Insert - 1980mm / 77 15/16" - 35.7W LED (Zhaga Standard) - 3000K / 3500K / 4000K

GENERAL

Series: Idaho
 Subseries: Idaho 40
 Brand: Prolicht
 Division: Architectural
 Mounting Type: Trimless
 Mounting Location: Ceiling

PHYSICAL

Shape: Rectangle
 Length (mm): 1980
 Length (in): 77 15/16
 Width (mm): 36
 Width (in): 1 7/16
 Height (mm): 37
 Height (in): 1 7/16
 Light Distribution: Direct
 Weight (kg): 1.98
 Weight (lbs): 4.37
 Fixture Material: Metal

ELECTRICAL

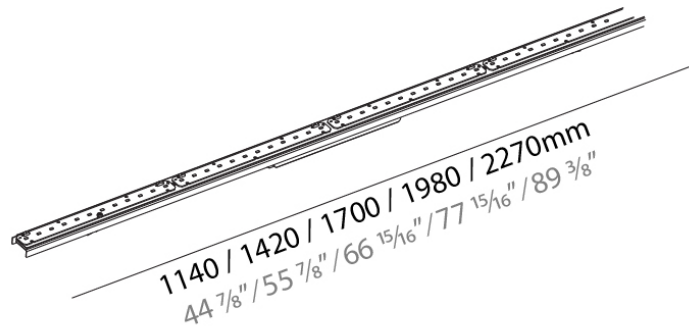
Input Wattage Range: 30 - 49 W
 Lamp Type: LED (Zhaga Standard)
 Input Wattage (W): 35.7
 Total Output Wattage (W): 32.2
 Dimming: Non-Dimming / Phase Dimming (120Vac only) / 0-10V Dimming
 Driver Included: Yes
 Driver Location: Integrated
 Driver Type: Constant Current - 120 / 277Vac
 Driver Class: Class 2
 Input Voltage (V): 120 - 277
 Constant Current (mA): 350

LED

Delivered Lumen Range: 1000 - 1999 lm
 Color Temperature (°K): 3000 / 3500 / 4000
 Max. Delivered Lumen (lm): 1699 / 1759 / 1795
 Nominal Lumen (lm): 4970 / 5145 / 5250
 CRI: >80 CRI
 Lamp Life (hrs): 50000
 Upon Request: Special Color Temperature RGB-W Tunable White CRI (no minimum qty) price increase + longer lead time

RATINGS AND CERTIFICATIONS

Certified By: Certified for North American Standards
 IP rating: IP20



PROJECT
TYPE
NOTES
QUANTITY
DATE

A3ID40-TRI-SYS COMPONENTS TRIMLESS

A38125-

DESCRIPTION

Idaho 40 System - Insert - 1140mm - 20.2W LED (Zhaga Standard) - 3000K / 3500K / 4000K

GENERAL

Series: Idaho
 Subseries: Idaho 40
 Brand: Prolicht
 Division: Architectural
 Mounting Type: Trimless
 Mounting Location: Ceiling

PHYSICAL

Shape: Rectangle
 Length (mm): 1140
 Length (in): 44 7/8
 Width (mm): 36
 Width (in): 1 7/16
 Height (mm): 37
 Height (in): 1 7/16
 Light Distribution: Direct
 Weight (kg): 1.35
 Weight (lbs): 2.98
 Fixture Material: Metal

ELECTRICAL

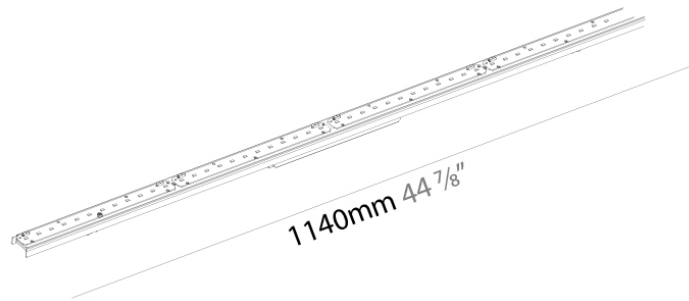
Input Wattage Range: 20 - 29 W
 Lamp Type: LED (Zhaga Standard)
 Input Wattage (W): 20.4
 Total Output Wattage (W): 18.4
 Dimming: Non-Dimming / Phase Dimming (120Vac only) / 0-10V Dimming
 Driver Included: Yes
 Driver Location: Integrated
 Driver Type: Constant Current - 120 / 277Vac
 Driver Class: Class 2
 Input Voltage (V): 120 - 277
 Constant Current (mA): 350

LED

Delivered Lumen Range: 500 - 1999 lm
 Color Temperature (°K): 3000 / 3500 / 4000
 Max. Delivered Lumen (lm): 971 / 1005 / 1026
 Nominal Lumen (lm): 2840 / 2940 / 3000
 CRI: >80 CRI
 Lamp Life (hrs): 50000
 Upon Request: Special Color Temperature RGB-W Tunable White CRI (no minimum qty) price increase + longer lead time

RATINGS AND CERTIFICATIONS

Certified By: Certified for North American Standards
 IP rating: IP20



PROJECT
TYPE
NOTES
QUANTITY
DATE

A3ID40-TRI-SYS COMPONENTS TRIMLESS

A38129-

DESCRIPTION

Idaho 40 System - Insert - 1420mm - 25.5W LED (Zhaga Standard) - 3000K / 3500K / 4000K

GENERAL

Series: Idaho
 Subseries: Idaho 40
 Brand: Prolicht
 Division: Architectural
 Mounting Type: Trimless
 Mounting Location: Ceiling

PHYSICAL

Shape: Rectangle
 Length (mm): 1420
 Length (in): 55 7/8
 Width (mm): 36
 Width (in): 1 7/16
 Height (mm): 37
 Height (in): 1 7/16
 Light Distribution: Direct
 Weight (kg): 1.626
 Weight (lbs): 3.58
 Fixture Material: Metal

ELECTRICAL

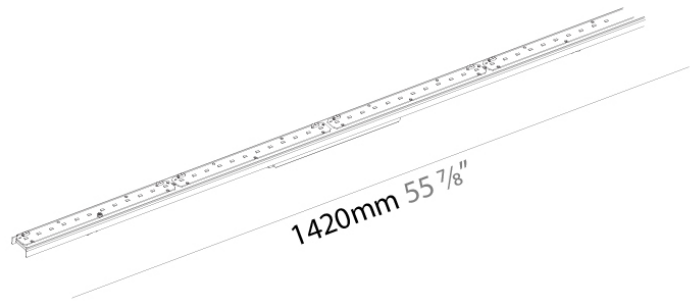
Input Wattage Range: 20 - 29 W
 Lamp Type: LED (Zhaga Standard)
 Input Wattage (W): 25.5
 Total Output Wattage (W): 23
 Dimming: Non-Dimming / Phase Dimming (120Vac only) / 0-10V Dimming
 Driver Included: Yes
 Driver Location: Integrated
 Driver Type: Constant Current - 120 / 277Vac
 Driver Class: Class 2
 Input Voltage (V): 120 - 277
 Constant Current (MA): 350

LED

Delivered Lumen Range: 1000 - 1999 lm
 Color Temperature (°K): 3000 / 3500 / 4000
 Max. Delivered Lumen (lm): 1214 / 1256 / 1282
 Nominal Lumen (lm): 3550 / 3675 / 3750
 CRI: >80 CRI
 Lamp Life (hrs): 50000
 Upon Request: Special Color Temperature RGB-W Tunable White CRI (no minimum qty) price increase + longer lead time

RATINGS AND CERTIFICATIONS

Certified By: Certified for North American Standards
 IP rating: IP20



PROJECT
TYPE
NOTES
QUANTITY
DATE

A3ID40-TRI-SYS COMPONENTS TRIMLESS

A38133-

DESCRIPTION

Idaho 40 System - Insert - 1700mm - 30.6W LED (Zhaga Standard) - 3000K / 3500K / 4000K

GENERAL

Series: Idaho
 Subseries: Idaho 40
 Brand: Prolicht
 Division: Architectural
 Mounting Type: Trimless
 Mounting Location: Ceiling
 Subcategory: Profile

PHYSICAL

Shape: Rectangle
 Length (mm): 1700
 Length (in): 66 ¹⁵/₁₆
 Width (mm): 36
 Width (in): 1 ⁷/₁₆
 Height (mm): 37
 Height (in): 1 ⁷/₁₆
 Light Distribution: Direct
 Weight (kg): 1.782
 Weight (lbs): 3.93
 Fixture Material: Metal

ELECTRICAL

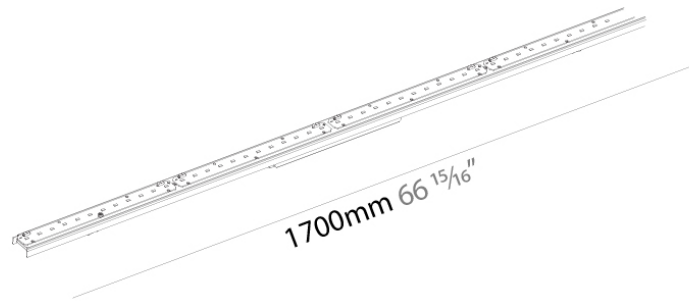
Input Wattage Range: 30 - 49 W
 Lamp Type: LED (Zhaga Standard)
 Input Wattage (W): 30.6
 Total Output Wattage (W): 27.6
 Dimming: Non-Dimming / Phase Dimming (120Vac only) / 0-10V Dimming
 Driver Included: Yes
 Driver Location: Integrated
 Driver Type: Constant Current - 120 / 277Vac
 Driver Class: Class 2
 Input Voltage (V): 120 - 277
 Constant Current (MA): 350

LED

Color Temperature (°K): 3000 / 3500 / 4000
 Max. Delivered Lumen (lm): 1456 / 1508 / 1539
 Nominal Lumen (lm): 4260 / 4410 / 4500
 CRI: >80 CRI
 Lamp Life (hrs): 50000
 Upon Request: Special Color Temperature RGB-W Tunable White CRI (no minimum qty) price increase + longer lead time

RATINGS AND CERTIFICATIONS

Certified By: Certified for North American Standards
 IP rating: IP20



PROJECT
TYPE
NOTES
QUANTITY
DATE

A3ID40-TRI-SYS COMPONENTS TRIMLESS

A38165-

DESCRIPTION

Idaho 40 System - Insert - 2270mm / 89 3/8" - 40.8W LED (Zhaga Standard) - 3000K / 3500K / 4000K

GENERAL

Series: Idaho
 Subseries: Idaho 40
 Brand: Prolicht
 Division: Architectural
 Mounting Type: Trimless
 Mounting Location: Ceiling

PHYSICAL

Shape: Rectangle
 Length (mm): 2270
 Length (in): 89 3/8
 Width (mm): 36
 Width (in): 1 7/16
 Height (mm): 37
 Height (in): 1 7/16
 Light Distribution: Direct
 Weight (kg): 2.252
 Weight (lbs): 4.96
 Fixture Material: Metal

ELECTRICAL

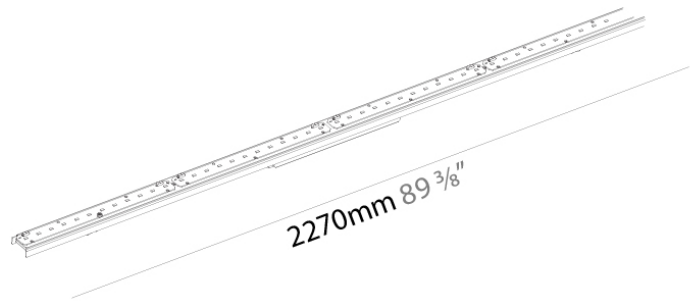
Input Wattage Range: 30 - 49 W
 Lamp Type: LED (Zhaga Standard)
 Input Wattage (W): 40.8
 Total Output Wattage (W): 36.8
 Dimming: Non-Dimming / Phase Dimming (120Vac only) / 0-10V Dimming
 Driver Included: Yes
 Driver Location: Integrated
 Driver Type: Constant Current - 120 / 277Vac
 Driver Class: Class 2
 Input Voltage (V): 120 - 277
 Constant Current (MA): 350

LED

Delivered Lumen Range: 1000 - 2999 lm
 Color Temperature (°K): 3000 / 3500 / 4000
 Max. Delivered Lumen (lm): 1942 / 2010 / 2051
 Nominal Lumen (lm): 5680 / 5880 / 6000
 CRI: >80 CRI
 Lamp Life (hrs): 50000
 Upon Request: Special Color Temperature RGB-W Tunable White CRI (no minimum qty) price increase + longer lead time

RATINGS AND CERTIFICATIONS

Certified By: Certified for North American Standards
 IP rating: IP20



PROJECT	
TYPE	
NOTES	
QUANTITY	
DATE	

A3ID40-TRI-SYS COMPONENTS

A3954500

DESCRIPTION

Idaho 40 System - Trimless - 90° Corner Coupler

GENERAL

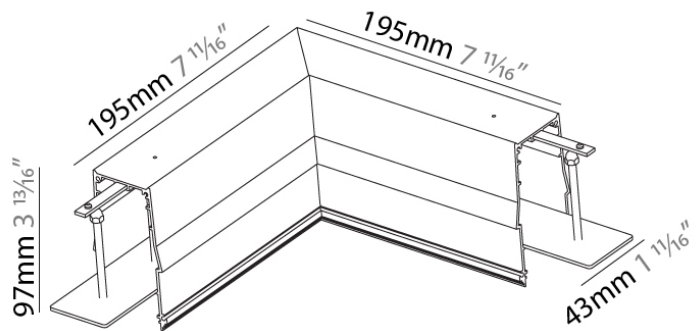
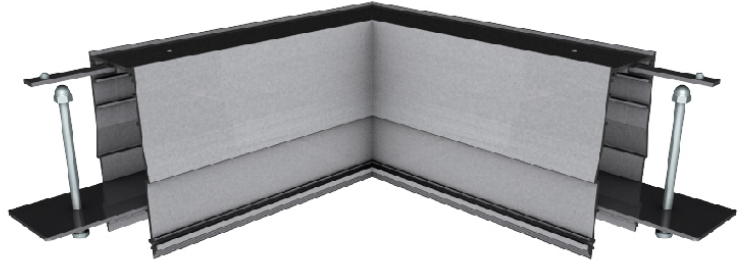
Series: Idaho
 Subseries: Idaho 40
 Brand: Prolicht
 Division: Architectural

PHYSICAL

Length (mm): 195
 Length (in): 7 ¹¹/₁₆
 Width (mm): 195
 Width (in): 7 ¹¹/₁₆
 Height (mm): 97
 Height (in): 3 ¹³/₁₆
 Weight (kg): 0.646
 Weight (lbs): 1.42
 Fixture Material: Aluminum

RATINGS AND CERTIFICATIONS

Certified By: Certified for North American Standards
 IP rating: IP20



A3ID40-TRI-SYS COMPONENTS

A3964300

DESCRIPTION

Groove System - Surface/Suspension / Idaho 40 Trimless System - Flat Opal Diffuser Per Meter - Max 3,000mm / 118 1/8"

GENERAL

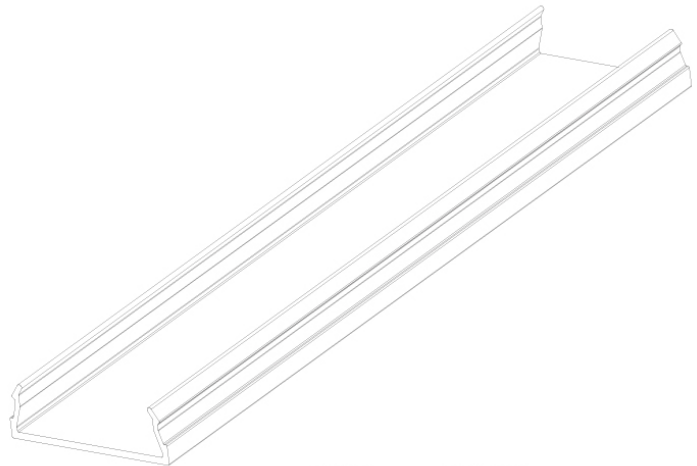
Series: Groove _____
Brand: Prolicht _____
Division: Architectural _____

PHYSICAL

Shape: Rectangle _____
Length (mm): 1000 _____
Length (in): 39 3/8 _____
Width (mm): 42 _____
Width (in): 1 5/8 _____
Height (mm): 14 _____
Height (in): 9/16 _____
Weight (kg): 0.13 _____
Weight (lbs): 0.287 _____
Diffuser: PMMA - Opal _____

RATINGS AND CERTIFICATIONS

Certified By: Certified for North American Standards _____
IP rating: IP20 _____



max. 3000mm 118 1/8"



A3ID40-TRI-SYS COMPONENTS

PROJECT	_____
TYPE	_____
NOTES	_____
QUANTITY	_____
DATE	_____

A3964400

DESCRIPTION

Idaho 40 System - Trimless End Cap

GENERAL

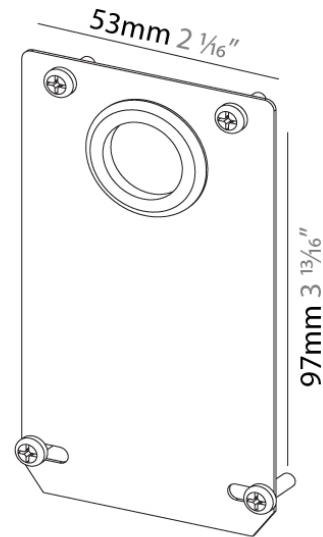
Series: Idaho
Subseries: Idaho 40
Brand: Prolicht
Division: Architectural

PHYSICAL

Shape: Rectangle
Length (mm): 53
Length (in): 2 ¹/₁₆
Width (mm): 1
Width (in): 1/16
Height (mm): 97
Height (in): 3 ¹³/₁₆
Weight (kg): 0.04
Weight (lbs): 0.088
Fixture Material: Aluminum

RATINGS AND CERTIFICATIONS

Certified By: Certified for North American Standards
IP rating: IP20



PROJECT
TYPE
NOTES
QUANTITY
DATE

A3ID40-TRI-SYS COMPONENTS

A39645-

DESCRIPTION

Idaho 40 System - Trimless Mounting Bracket

GENERAL

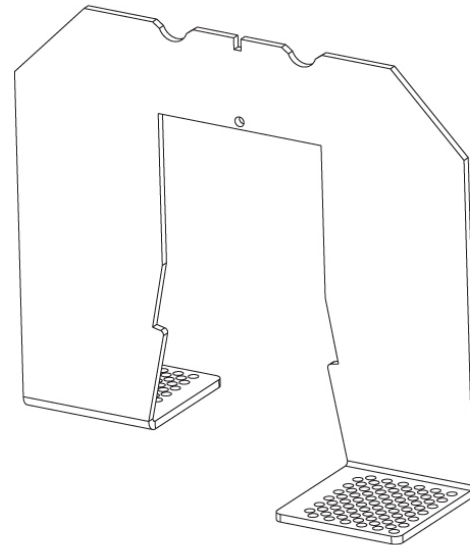
Series: Idaho
Subseries: Idaho 40
Brand: Prolicht
Division: Architectural

PHYSICAL

Length (mm): 132
Length (in): $5 \frac{3}{16}$
Width (mm): 68
Width (in): $2 \frac{11}{16}$
Height (mm): 107
Height (in): $4 \frac{7}{16}$
Ceiling Thickness (mm): 10 / 12 / 15
Ceiling Thickness (in): 3/8 or 1/2 or 9/16
Weight (kg): 0.18
Weight (lbs): 3/8
Installation Requirement: Ceiling Thickness: 10mm / 12.5mm / 15mm
Fixture Material: Aluminum

RATINGS AND CERTIFICATIONS

Certified By: Certified for North American Standards
IP rating: IP20



distance: max. 1000mm 39 $\frac{3}{8}$ "



A3ID40-TRI-SYS COMPONENTS

PROJECT	_____
TYPE	_____
NOTES	_____
QUANTITY	_____
DATE	_____

A3964600

DESCRIPTION

Idaho 40 System - Trimless Frame Alignment Kit

GENERAL

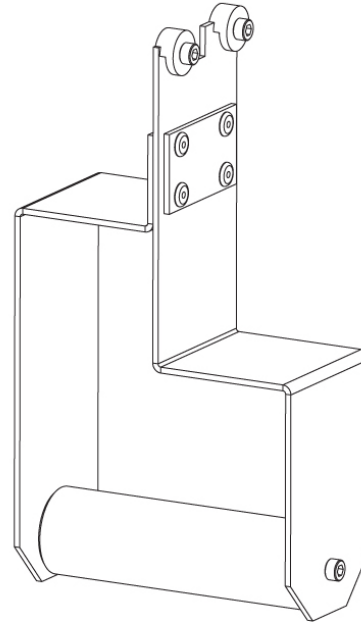
Series: Idaho
Subseries: Idaho 40
Brand: Prolicht
Division: Architectural

PHYSICAL

Length (mm): 55
Length (in): $2 \frac{3}{16}$
Width (mm): 104
Width (in): $4 \frac{7}{16}$
Height (mm): 197
Height (in): $7 \frac{13}{16}$
Weight (kg): 0.7
Weight (lbs): 1.54
Fixture Material: Aluminum

RATINGS AND CERTIFICATIONS

Certified By: Certified for North American Standards
IP rating: IP20



A3ID40-TRI-SYS COMPONENTS

A3966000

DESCRIPTION

Idaho 40 System - Trimless Linear Coupler

GENERAL

Series: Idaho

Subseries: Idaho 40

Brand: Prolicht

Division: Architectural

PHYSICAL

Length (mm): 100

Length (in): 3 ¹⁵/₁₆

Width (mm): 42

Width (in): 1 ⁷/₈

Height (mm): 20

Height (in): 13/16

Weight (kg): 0.1

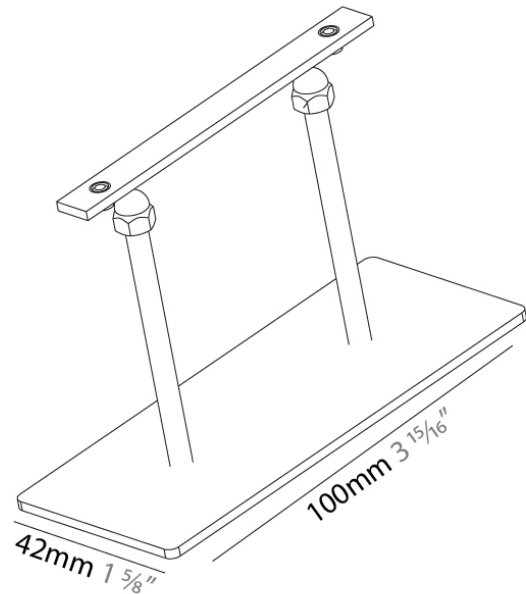
Weight (lbs): 0.22

Fixture Material: Aluminum

RATINGS AND CERTIFICATIONS

Certified By: Certified for North American Standards

IP rating: IP20



LEGEND

	floor-mounted		pivotable		special LED (upon request) RGB, RGBW, tunable, gold+, meat+, art+, fashion+
	wall and ceiling: recessed and surface mounted		rotating		warm dim / natural dimming LED
	ceiling-mounted and wall-mounted		illuminate tilted		rechargeable battery powered
	wall-mounted		color of suspension cable		fixture with natural vivid LED (upon request)
	omni-directional light distribution		length of suspension cable		color rendering index
	direct light distribution		reflector degree selection		color temperature
	direct/indirect light distribution		super spot		lumen (luminous flux)
	indirect light distribution		lens		efficacy (lumens per watt)
	asymmetric light distribution		lens pack		Unified Glare Rating (UGR) range from 5-40
	aura light distribution		shine ring		marine grade (AISI 316 stainless steel)
	round wall or ceiling cut-out		integrated shine ring with diffuser		walk on
	square wall or ceiling cut-out		free individual colors 01-29		drive on
	the supplied jig specifies the cutout dimensions		individual colors: 00 (free of charge), 01-25 (extra charge)		Dark Sky Compliance
	minimum distance (meters) lamp - object		luminaire part to be colored (F1)		Americans with Disabilities Act (less than 4" off the wall located between 27"-84" from floor)
	recessed depth		luminaire part to be colored (F2)		lamp protected against explosion
	ceiling thickness in mm		luminaire part to be colored (F3)		blown glass using traditional methods by master glass blower
	ceiling thickness selection		luminaire part to be colored (F4)		acoustic material
	dimmable DP (phase), DV (0-10V), DD (dali), DS (step-dim)		luminaire part to be colored (F5)		protection class I, protection insulation
	included or excluded LED driver/transformer/control gear		color of 3-circuit adaptor		protection class II, protection insulation
	separately switchable		indirect diffuser		ETL Certified to UL and CSA Standards
	sensor		direct diffuser		UL Certified to UL and CSA Standards
	remote control		ball-proof (upon request)		CSA Certified to UL and CSA Standards
	available upon request		accessory		Certified for North American Standards

IP RATING

	protected against ingress of solid bodies greater than 12.5mm (finger)
	protected against ingress of solid bodies greater than 2.5mm protected against sprays of water up to 60 degrees from the vertical (rain)
	protected against ingress of solid bodies greater than 1mm (wire) no protection against the ingress of moisture
	protected against ingress of solid bodies greater than 1mm (wire) protected against sprays of water up to 60 degrees from the vertical (rain)
	protected against ingress of solid bodies greater than 1mm (wire) protected against water splashed from all directions
	protected against limited ingress of dust (wet rooms/covered outdoor areas) protected against water splashed from all directions
	protected against ingress of dust protected against jets of water
	protected against ingress of dust protected against powerful jets of water or heavy seas
	protected against ingress of dust protected against immersion of water between 15cm - 1m for 30 minutes
	protected against ingress of dust protected against immersion of water under pressure for long periods

IK RATING

	protected against 0.14 joules impact (equivalent to 0.25kg mass dropped from 56mm above the surface)
	protected against 0.2 joules impact (equivalent to 0.25kg mass dropped from 80mm above the surface)
	protected against 0.35 joules impact (equivalent to 0.25kg mass dropped from 140mm above the surface)
	protected against 0.5 joules impact (equivalent to 0.25kg mass dropped from 200mm above the surface)
	protected against 0.7 joules impact (equivalent to 0.25kg mass dropped from 280mm above the surface)
	protected against 1 joules impact (equivalent to 0.25kg mass dropped from 400mm above the surface)
	protected against 2 joules impact (equivalent to 0.5kg mass dropped from 400mm above the surface)
	protected against 5 joules impact (equivalent to 1.7kg mass dropped from 300mm above the surface)
	protected against 10 joules impact (equivalent to 5.0kg mass dropped from 200mm above the surface)
	protected against 20 joules impact (equivalent to 5.0kg mass dropped from 400mm above the surface)