

PROJECT	
TYPE	
NOTES	
QUANTITY	
DATE	

## A3ID75-REC-SYS COMPONENTS RECESSED

### A36150-

#### DESCRIPTION

Idaho 75 System - Recessed - Profile per meter - Max 3000mm / 118 1/8"

#### GENERAL

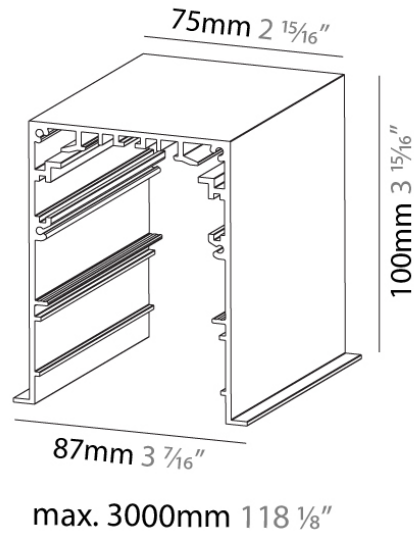
Series: Idaho  
 Subseries: Idaho 75  
 Brand: Prolicht  
 Division: Architectural  
 Mounting Type: Recessed  
 Mounting Location: Ceiling

#### PHYSICAL

Shape: Rectangle  
 Length (mm): 1000  
 Length (in): 39 3/8  
 Width (mm): 87  
 Width (in): 3 7/16  
 Height (mm): 100  
 Height (in): 3 15/16  
 Weight (kg): 2.36  
 Weight (lbs): 5.2  
 Fixture Finish: ANA / SSR / BKV / CWI / CRY / HAB / MSR / UFT / ITA / RUA / OGR / FTG / MYG / RWR / LOD / PUS / FRO / FUP / KIA / POP / BLS / SPG / MEY / GOH / GUM / CHC / COM / ABZ / JAG / OBR / MOS / ROR  
 Fixture Material: Aluminum

#### RATINGS AND CERTIFICATIONS

Certified By: Certified for North American Standards  
 IP rating: IP20



PROJECT
TYPE
NOTES
QUANTITY
DATE

## A3ID75-REC-SYS COMPONENTS

### A38155-

#### DESCRIPTION

Idaho 75 System - Idaline Light Insert - 1140mm / 44 7/8" - 19.6W LED (Zhaga Standard) - 3000K / 3500K / 4000K

#### GENERAL

Series: Idaho  
 Subseries: Idaho 75  
 Brand: Prolicht  
 Division: Architectural  
 Mounting Location: Ceiling

#### PHYSICAL

Shape: Rectangle  
 Length (mm): 1140  
 Length (in): 44 7/8  
 Width (mm): 60  
 Width (in): 2 3/8  
 Height (mm): 50  
 Height (in): 1 15/16  
 Light Distribution: Direct  
 Weight (kg): 1.8  
 Weight (lbs): 3.97  
 Fixture Material: Aluminum

#### ELECTRICAL

Input Wattage Range: 20 - 29 W  
 Lamp Type: LED (Zhaga Standard)  
 Input Wattage (W): 19.6  
 Total Output Wattage (W): 16 / 12.8 (3500K)  
 Dimming: 0-10V Dimming / Phase Dimming (120Vac Only)  
 Driver Included: Yes  
 Driver Location: Integrated  
 Driver Type: Constant Current - 120 / 277Vac  
 Driver Class: Class 2  
 Input Voltage (V): 120 - 277  
 Constant Current (mA): 350 / 400 (3500K)

#### LED

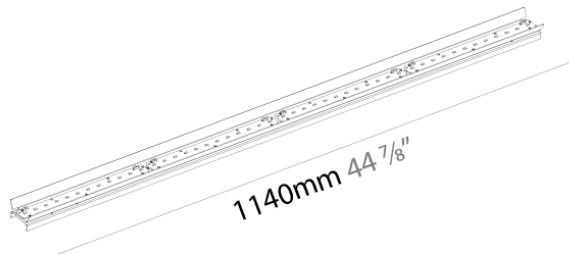
Delivered Lumen Range: 1000 - 2999 lm  
 Color Temperature (°K): 3000 / 3500 / 4000  
 Max. Delivered Lumen (lm): 1723 / 1753 / 1789  
 Nominal Lumen (lm): 2587 / 2633 / 2687  
 CRI: >90 CRI  
 Efficiency (%): 0.59  
 Lamp Life (hrs): 50000  
 Upon Request: Special Color Temperature RGB-W Tunable White CRI (no minimum qty) price increase + longer lead time

#### OPTICAL

Beam Angle: 64

#### RATINGS AND CERTIFICATIONS

Certified By: Certified for North American Standards  
 IP rating: IP20



PROJECT
TYPE
NOTES
QUANTITY
DATE

## A3ID75-REC-SYS COMPONENTS

### A38157-

#### DESCRIPTION

Idaho 75 System - Idaline Light Insert - 1420mm / 55 7/8" - 24.5W LED (Zhaga Standard) - 3000K / 3500K / 4000K - CRI:90

#### GENERAL

Series: Idaho  
 Subseries: Idaho 75  
 Brand: Prolicht  
 Division: Architectural  
 Mounting Location: Ceiling

#### PHYSICAL

Shape: Rectangle  
 Length (mm): 1420  
 Length (in): 55 7/8  
 Width (mm): 60  
 Width (in): 2 3/8  
 Height (mm): 50  
 Height (in): 1 15/16  
 Light Distribution: Direct  
 Weight (kg): 2.139  
 Weight (lbs): 4.71  
 Fixture Material: Aluminum

#### ELECTRICAL

Input Wattage Range: 20 - 29 W  
 Lamp Type: LED (Zhaga Standard)  
 Input Wattage (W): 24.5  
 Total Output Wattage (W): 20 / 16 (3500K)  
 Dimming: 0-10V Dimming / Phase Dimming (120Vac Only)  
 Driver Included: Yes  
 Driver Location: Integrated  
 Driver Type: Constant Current - 120 / 277Vac  
 Driver Class: Class 2  
 Input Voltage (V): 120 - 277  
 Constant Current (mA): 350 / 500 (3500K)

#### LED

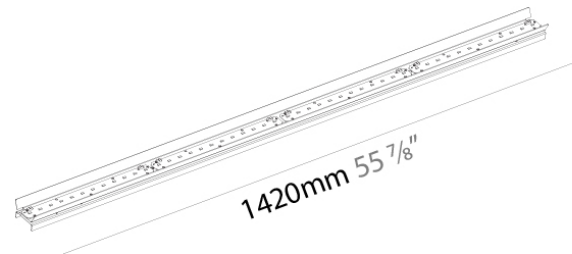
Delivered Lumen Range: 2000 - 2999 lm  
 Color Temperature (°K): 3000 / 3500 / 4000  
 Max. Delivered Lumen (lm): 2153 / 2192 / 2237  
 Nominal Lumen (lm): 3233 / 3291 / 3358  
 CRI: >90 CRI  
 Efficiency (%): 0.59  
 Lamp Life (hrs): 50000  
 Upon Request: Special Color Temperature RGB-W Tunable White CRI (no minimum qty) price increase + longer lead time

#### OPTICAL

Beam Angle: 106

#### RATINGS AND CERTIFICATIONS

Certified By: Certified for North American Standards  
 IP rating: IP20



PROJECT
TYPE
NOTES
QUANTITY
DATE

## A3ID75-REC-SYS COMPONENTS

### A38159-

#### DESCRIPTION

Idaho 75 System - Idaline Light Insert - 1700mm - 29.4W LED (Zhaga Standard) - 3000K / 3500K / 4000K - CRI:90

#### GENERAL

Series: Idaho  
 Subseries: Idaho 75  
 Brand: Prolicht  
 Division: Architectural  
 Mounting Location: Ceiling

#### PHYSICAL

Shape: Rectangle  
 Length (mm): 1700  
 Length (in): 66 <sup>15</sup>/<sub>16</sub>  
 Width (mm): 60  
 Width (in): 2 <sup>3</sup>/<sub>8</sub>  
 Height (mm): 50  
 Height (in): 1 <sup>15</sup>/<sub>16</sub>  
 Light Distribution: Direct  
 Weight (kg): 2.469  
 Weight (lbs): 5.44  
 Fixture Material: Metal

#### ELECTRICAL

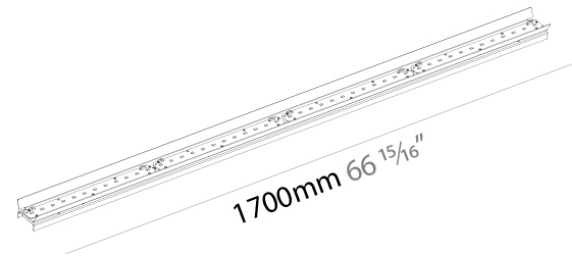
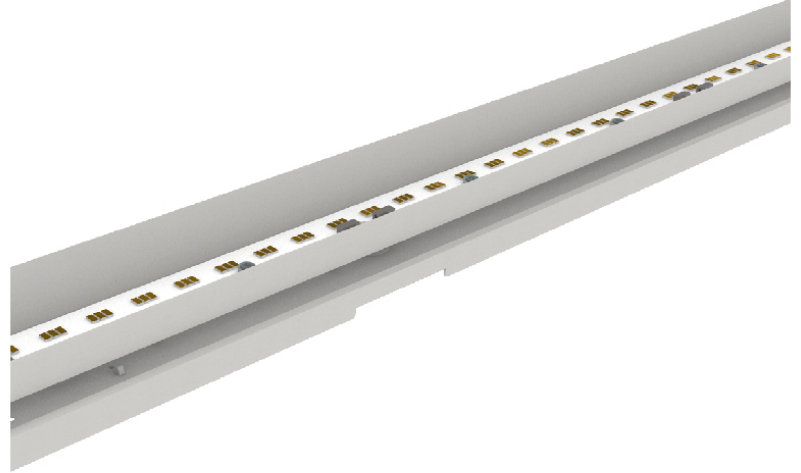
Input Wattage Range: 30 - 49 W  
 Lamp Type: LED (Zhaga Standard)  
 Input Wattage (W): 30  
 Total Output Wattage (W): 24 / 19.2 (3500K)  
 Dimming: Non-Dimming / Phase Dimming (120Vac only) / 0-10V Dimming  
 Driver Included: Yes  
 Driver Location: Integrated  
 Driver Type: Constant Current - 120 / 277Vac  
 Driver Class: Class 2  
 Input Voltage (V): 120 - 277  
 Constant Current (MA): 350 / 600 (3500K)

#### LED

Delivered Lumen Range: 2000 - 2999 lm  
 Color Temperature (°K): 3000 / 3500 / 4000  
 Max. Delivered Lumen (lm): 2084 / 2121 / 2164  
 Nominal Lumen (lm): 3880 / 3949 / 4030  
 CRI: >80 CRI  
 Efficiency (%): 0.59  
 Lamp Life (hrs): 50000  
 Upon Request: Special Color Temperature RGB-W Tunable White CRI (no minimum qty) price increase + longer lead time

#### RATINGS AND CERTIFICATIONS

Certified By: Certified for North American Standards  
 IP rating: IP20



PROJECT
TYPE
NOTES
QUANTITY
DATE

## A3ID75-REC-SYS COMPONENTS

### A38161-

#### DESCRIPTION

Idaho 75 System - Light Insert - 1980mm - 35.7W LED (Zhaga Standard) - 3000K / 3500K / 4000K

#### GENERAL

Series: Idaho  
 Subseries: Idaho 75  
 Brand: Prolicht  
 Division: Architectural  
 Mounting Location: Ceiling

#### PHYSICAL

Shape: Rectangle  
 Length (mm): 1980  
 Length (in): 77 <sup>15</sup>/<sub>16</sub>  
 Width (mm): 60  
 Width (in): 2 <sup>3</sup>/<sub>8</sub>  
 Height (mm): 50  
 Height (in): 1 <sup>15</sup>/<sub>16</sub>  
 Light Distribution: Direct  
 Weight (kg): 2.805  
 Weight (lbs): 6.18  
 Fixture Material: Metal

#### ELECTRICAL

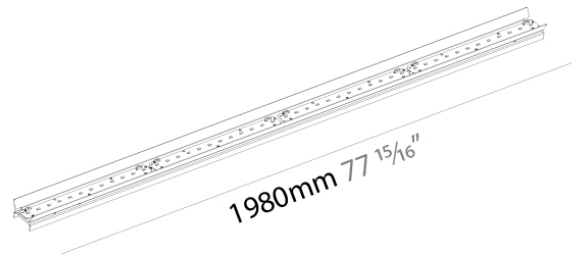
Input Wattage Range: 30 - 49 W  
 Lamp Type: LED (Zhaga Standard)  
 Input Wattage (W): 35  
 Total Output Wattage (W): 28 / 22.4 (3500K)  
 Dimming: Non-Dimming / Phase Dimming (120Vac only) / 0-10V Dimming  
 Driver Included: Yes  
 Driver Location: Integrated  
 Driver Type: Constant Current - 120 / 277Vac  
 Driver Class: Class 2  
 Input Voltage (V): 120 - 277  
 Constant Current (mA): 350 / 700 (3500K)

#### LED

Delivered Lumen Range: 3000 - 4999 lm  
 Color Temperature (°K): 3000 / 3500 / 4000  
 Max. Delivered Lumen (lm): 3310 / 3426 / 3496  
 Nominal Lumen (lm): 4970 / 5145 / 5250  
 CRI: >80 CRI  
 Efficiency (%): 0.59  
 Lamp Life (hrs): 50000  
 Upon Request: Special Color Temperature RGB-W Tunable White CRI (no minimum qty) price increase + longer lead time

#### RATINGS AND CERTIFICATIONS

Certified By: Certified for North American Standards  
 IP rating: IP20



PROJECT
TYPE
NOTES
QUANTITY
DATE

## A3ID75-REC-SYS COMPONENTS

### A38163-

#### DESCRIPTION

Idaho 75 System - Idaline Light Insert - 2270mm / 89 3/8" - 39.2W LED (Zhaga Standard) - 3000K / 3500K / 4000K - CRI:90

#### GENERAL

Series: Idaho  
 Subseries: Idaho 75  
 Brand: Prolicht  
 Division: Architectural  
 Mounting Location: Ceiling

#### PHYSICAL

Shape: Rectangle  
 Length (mm): 2270  
 Length (in): 89 3/8  
 Width (mm): 60  
 Width (in): 2 3/8  
 Height (mm): 50  
 Height (in): 1 15/16  
 Light Distribution: Direct  
 Weight (kg): 3.162  
 Weight (lbs): 6.97  
 Fixture Material: Metal

#### ELECTRICAL

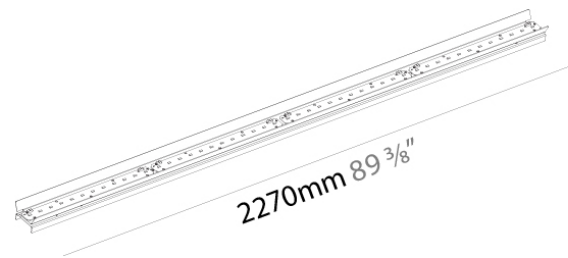
Input Wattage Range: 30 - 49 W  
 Lamp Type: LED (Zhaga Standard)  
 Input Wattage (W): 39.2  
 Total Output Wattage (W): 35.6 / 25.6 (3500K)  
 Dimming: 0-10V Dimming / Phase Dimming (120Vac Only)  
 Driver Included: Yes  
 Driver Location: Integrated  
 Driver Type: Constant Current - 120 / 277Vac  
 Driver Class: Class 2  
 Input Voltage (V): 120 - 277  
 Constant Current (mA): 350 / 800 (3500K)

#### LED

Delivered Lumen Range: 3000 - 4999 lm  
 Color Temperature (°K): 3000 / 3500 / 4000  
 Max. Delivered Lumen (lm): 3445 / 3507 / 3579  
 Nominal Lumen (lm): 5173 / 5266 / 5373  
 CRI: >90 CRI  
 Efficiency (%): 0.59  
 Lamp Life (hrs): 50000  
 Upon Request: Special Color Temperature RGB-W Tunable White CRI (no minimum qty) price increase + longer lead time

#### RATINGS AND CERTIFICATIONS

Certified By: Certified for North American Standards  
 IP rating: IP20



## A3ID75-REC-SYS COMPONENTS

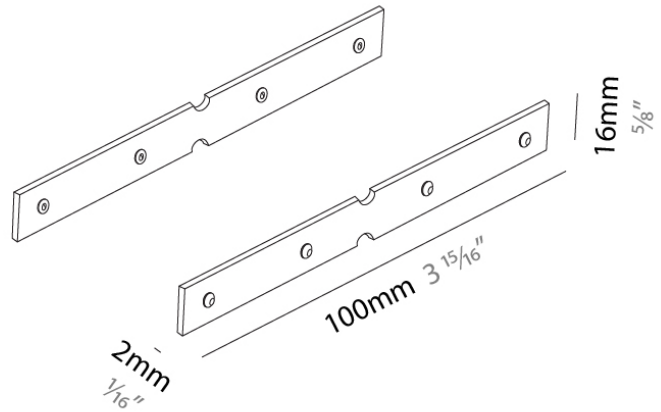
### A3822500

**DESCRIPTION**  
 Idaho 75 System - Recessed - Linear Coupler (1 pair)

**GENERAL**  
 Series: Idaho  
 Subseries: Idaho 75  
 Brand: Prolicht  
 Division: Architectural

**PHYSICAL**  
 Length (mm): 100  
 Length (in): 3 <sup>15</sup>/<sub>16</sub>  
 Width (mm): 2  
 Width (in): 1/16  
 Height (mm): 16  
 Height (in): 5/8  
 Weight (kg): 0.08  
 Weight (lbs): 0.18  
 Fixture Material: Aluminum

**RATINGS AND CERTIFICATIONS**  
 Certified By: Certified for North American Standards  
 IP rating: IP20



PROJECT	
TYPE	
NOTES	
QUANTITY	
DATE	

## A3ID75-REC-SYS COMPONENTS

### A3822600

#### DESCRIPTION

Idaho 75 System - Recessed - Corner Coupler 90° Coupler (1 pair)

#### GENERAL

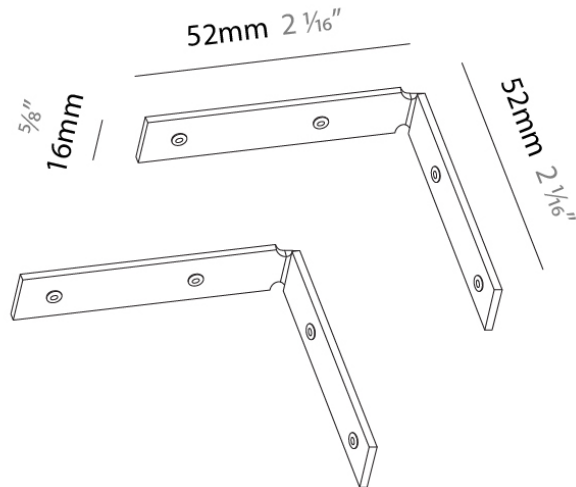
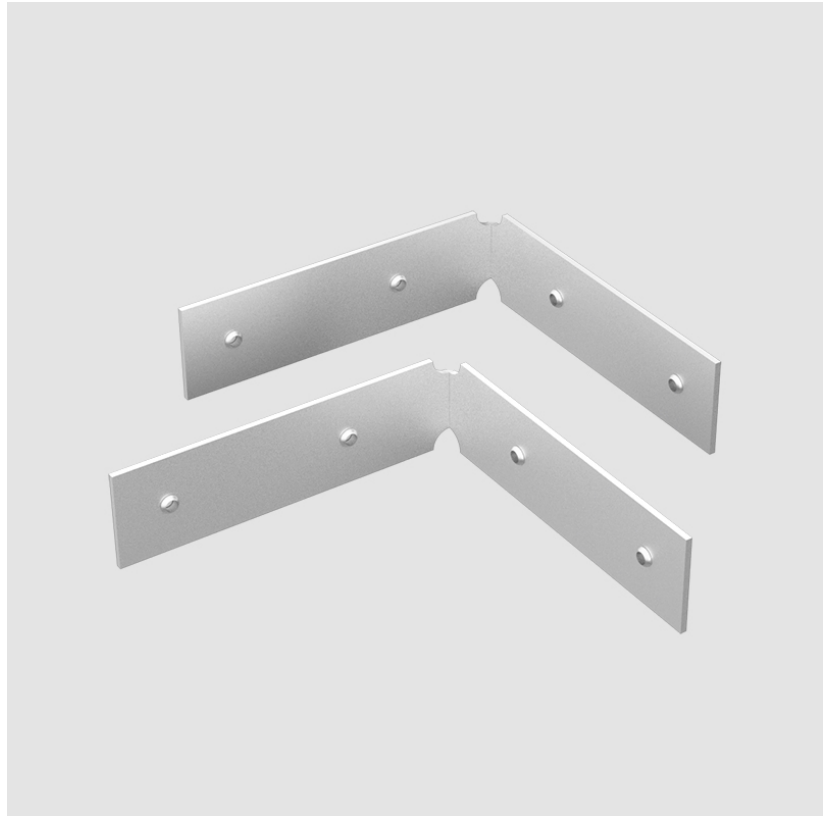
Series: Idaho  
 Subseries: Idaho 75  
 Brand: Prolicht  
 Division: Architectural

#### PHYSICAL

Length (mm): 52  
 Length (in): 2 1/16  
 Width (mm): 52  
 Width (in): 2 1/16  
 Height (mm): 16  
 Height (in): 5/8  
 Weight (kg): 0.133  
 Weight (lbs): 0.29  
 Fixture Material: Aluminum

#### RATINGS AND CERTIFICATIONS

Certified By: Certified for North American Standards  
 IP rating: IP20





PROJECT
TYPE
NOTES
QUANTITY
DATE

## A3ID75-REC-SYS COMPONENTS

### A3822700

#### DESCRIPTION

Idaho 75 System - Recessed - Corner Coupler 45° - 180° Coupler  
(1 pair)

#### GENERAL

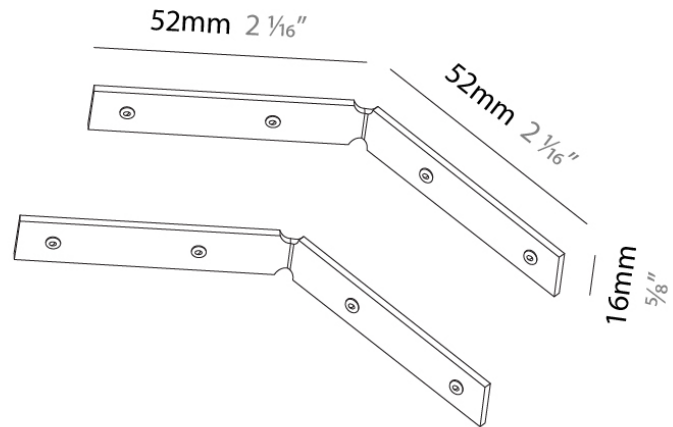
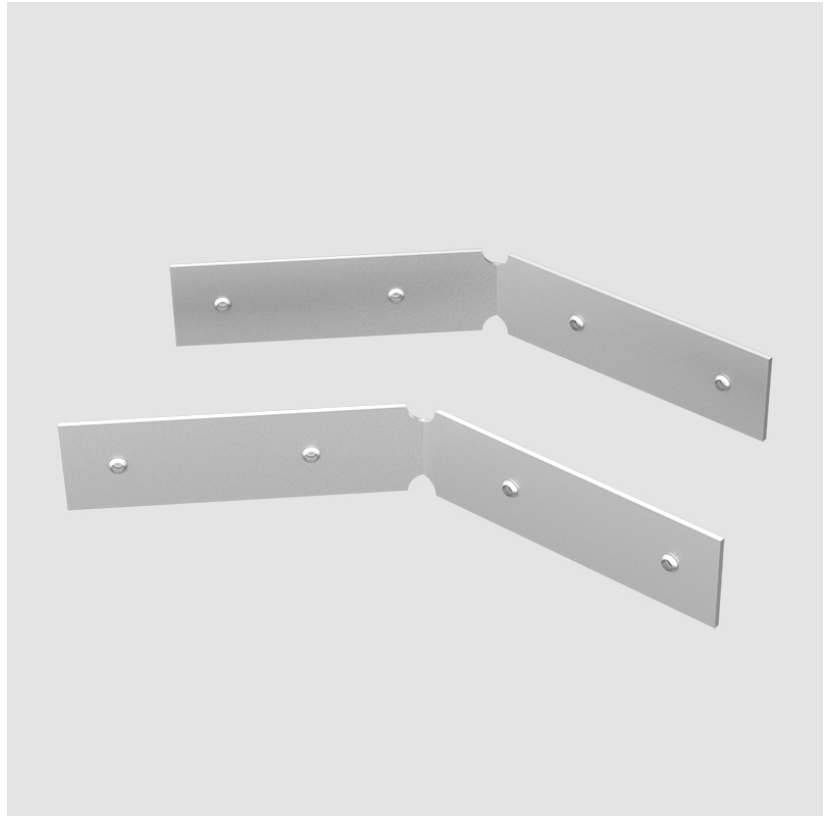
Series: Idaho  
 Subseries: Idaho 75  
 Brand: Prolicht  
 Division: Architectural

#### PHYSICAL

Length (mm): 52  
 Length (in): 2 <sup>1</sup>/<sub>16</sub>  
 Width (mm): 52  
 Width (in): 2 <sup>1</sup>/<sub>16</sub>  
 Height (mm): 16  
 Height (in): 5/8  
 Weight (kg): 0.162  
 Weight (lbs): 0.36  
 Fixture Material: Aluminum

#### RATINGS AND CERTIFICATIONS

Certified By: Certified for North American Standards  
 IP rating: IP20



PROJECT	
TYPE	
NOTES	
QUANTITY	
DATE	

## A3ID75-REC-SYS COMPONENTS

### A38627-

#### DESCRIPTION

Idaho 75 System - 1 Spot Light Insert - 9.8W LED (Zhaga Standard) - 2700K / 3000K / 3500K / 4000K - Reflectors 20° / 40° / 60°

#### GENERAL

Series: Idaho  
 Subseries: Idaho 75  
 Brand: Prolicht  
 Division: Architectural

#### PHYSICAL

Shape: Round  
 Length (mm): 300  
 Length (in): 11 <sup>13</sup>/<sub>16</sub>  
 Width (mm): 59  
 Width (in): 2 <sup>3</sup>/<sub>16</sub>  
 Height (mm): 79  
 Height (in): 3 <sup>1</sup>/<sub>8</sub>  
 Light Distribution: Direct  
 Weight (kg): 0.298  
 Weight (lbs): 0.66

Fixture Finish: SSR / BKV / CWI / CRY / HAB / UFT / ITA / RUA / FTG / MYG / LOD / PUS / FRO / FUP / KIA / POP / BLS / SPG / MEY / GOH / GUM / CHC / COM / ABZ / JAG / OBR / MOS / ROR

Fixture Material: Aluminum Die Cast

#### ELECTRICAL

Input Wattage Range: 10 - 19 W  
 Lamp Type: LED (Zhaga Standard)  
 Input Wattage (W): 9.8  
 Total Output Wattage (W): 8.9  
 Dimming: 0-10V Dimming / Phase Dimming (120Vac Only)  
 Driver Included: Yes  
 Driver Location: Integrated  
 Driver Type: Constant Current - 120 / 277Vac  
 Driver Class: Class 2  
 Input Voltage (V): 120 - 277  
 Constant Current (MA): 350

#### LED

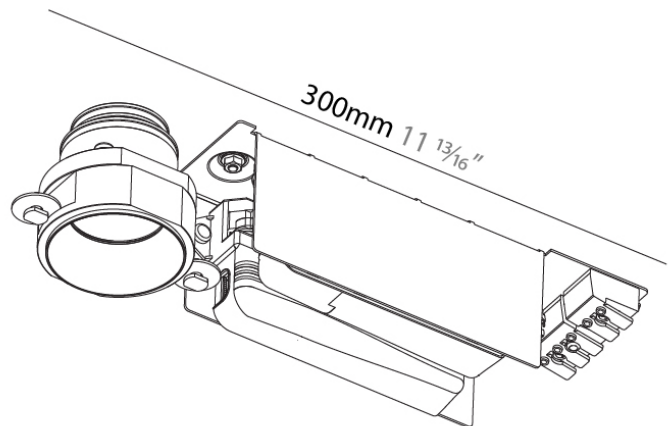
Delivered Lumen Range: 500 - 999 lm  
 Number of LEDs: 1  
 Color Temperature (°K): 2700 / 3000 / 3500 / 4000  
 Max. Delivered Lumen (lm): 660 / 690 / 725 / 740  
 Nominal Lumen (lm): 983 / 1020 / 1072 / 1094  
 CRI: >90 CRI  
 Efficiency (%): 88.4  
 Lamp Life (hrs): 50000

#### OPTICAL

Reflector°: 20 / 40 / 60

#### RATINGS AND CERTIFICATIONS

Certified By: Certified for North American Standards  
 IP rating: IP20



PROJECT	
TYPE	
NOTES	
QUANTITY	
DATE	

## A3ID75-REC-SYS COMPONENTS

### A38630-

#### DESCRIPTION

Idaho 75 System - 2 Spot Light Insert - 19.6W LED (Zhaga Standard) - 2700K / 3000K / 3500K / 4000K - CRI: 90 - Reflectors 20° / 40° / 60°

#### GENERAL

Series: Idaho  
 Subseries: Idaho 75  
 Brand: Prolicht  
 Division: Architectural

#### PHYSICAL

Shape: Round  
 Length (mm): 400  
 Length (in): 15 <sup>3</sup>/<sub>4</sub>  
 Width (mm): 59  
 Width (in): 2 <sup>3</sup>/<sub>16</sub>  
 Height (mm): 79  
 Height (in): 3 <sup>1</sup>/<sub>8</sub>  
 Light Distribution: Direct  
 Weight (kg): 0.6  
 Weight (lbs): 1.32

Fixture Finish: SSR / BKV / CWI / CRY / HAB / UFT / ITA / RUA / FTG / MYG / LOD / PUS / FRO / FUP / KIA / POP / BLS / SPG / MEY / GOH / GUM / CHC / COM / ABZ / JAG / OBR / MOS / ROR

Fixture Material: Aluminum Die Cast

#### ELECTRICAL

Input Wattage Range: 10 - 19 W  
 Lamp Type: LED (Zhaga Standard)  
 Input Wattage (W): 19.6  
 Total Output Wattage (W): 17.8  
 Dimming: 0-10V Dimming / Phase Dimming (120Vac Only)  
 Driver Included: Yes  
 Driver Location: Integrated  
 Driver Type: Constant Current - 120 / 277Vac  
 Driver Class: Class 2  
 Input Voltage (V): 120 - 277  
 Constant Current (MA): 350

#### LED

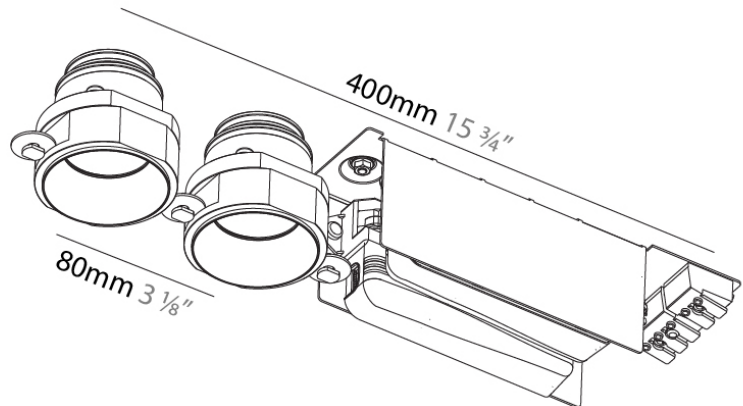
Delivered Lumen Range: 1000 - 1999 lm  
 Number of LEDs: 2  
 Color Temperature (°K): 2700 / 3000 / 3500 / 4000  
 Max. Delivered Lumen (lm): 1320 / 1370 / 1441 / 1470  
 Nominal Lumen (lm): 1966 / 2040 / 2144 / 2188  
 CRI: >90 CRI  
 Efficiency (%): 88.4  
 Lamp Life (hrs): 50000

#### OPTICAL

Reflector°: 20 / 40 / 60

#### RATINGS AND CERTIFICATIONS

Certified By: Certified for North American Standards  
 IP rating: IP20



## A3ID75-REC-SYS COMPONENTS

PROJECT	_____
TYPE	_____
NOTES	_____
QUANTITY	_____
DATE	_____

### A39059-

#### DESCRIPTION

Idaho 75 System - Recessed - End Cap

#### GENERAL

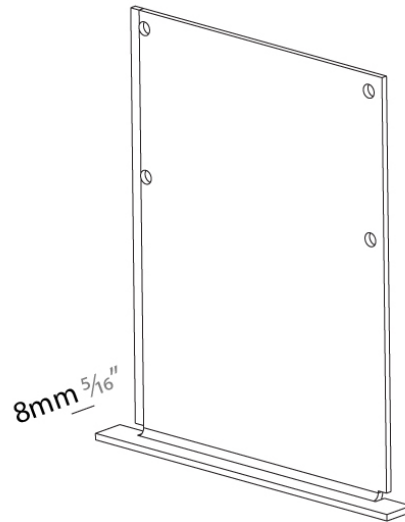
Series: Idaho  
Subseries: Idaho 75  
Brand: Prolicht  
Division: Architectural

#### PHYSICAL

Shape: Rectangle  
Length (mm): 100  
Length (in):  $3 \frac{15}{16}$   
Width (mm): 8  
Width (in):  $5/16$   
Height (mm): 80  
Height (in):  $3 \frac{7}{8}$   
Weight (kg): 0.03  
Weight (lbs): 0.066  
Fixture Finish: SSR / BKV / CWI / CRY / HAB / UFT / ITA / RUA / FTG / MYG / LOD / PUS / FRO / FUP / KIA / POP / BLS / SPG / MEY / GOH / GUM / CHC / COM / ABZ / JAG / OBR / MOS / ROR  
Fixture Material: Aluminum

#### RATINGS AND CERTIFICATIONS

Certified By: Certified for North American Standards  
IP rating: IP20



PROJECT	_____
TYPE	_____
NOTES	_____
QUANTITY	_____
DATE	_____

## A3ID75-REC-SYS COMPONENTS

### A3906700

#### DESCRIPTION

Idaho 75 System - Recessed/Surface/Suspension - Opal Diffuser per meter - Max 3000mm / 118 1/8"

#### GENERAL

Series: Idaho \_\_\_\_\_  
Subseries: Idaho 75 \_\_\_\_\_  
Brand: Prolicht \_\_\_\_\_  
Division: Architectural \_\_\_\_\_

#### PHYSICAL

Shape: Rectangle \_\_\_\_\_  
Length (mm): 1000 \_\_\_\_\_  
Length (in): 39 3/8 \_\_\_\_\_  
Width (mm): 68 \_\_\_\_\_  
Width (in): 2 11/16 \_\_\_\_\_  
Height (mm): 25 \_\_\_\_\_  
Height (in): 1 \_\_\_\_\_  
Weight (kg): 0.32 \_\_\_\_\_  
Weight (lbs): 0.7 \_\_\_\_\_  
Diffuser: PMMA - Opal \_\_\_\_\_

#### RATINGS AND CERTIFICATIONS

Certified By: Certified for North American Standards \_\_\_\_\_  
IP rating: IP20 \_\_\_\_\_



max. 3000mm 118 1/8"



PROJECT	_____
TYPE	_____
NOTES	_____
QUANTITY	_____
DATE	_____

## A3ID75-REC-SYS COMPONENTS

### A3907200

#### DESCRIPTION

Idaho 75 System - Recessed/Surface/Suspension - Micro-prism Diffuser per meter - Max 3000mm / 118 1/8"

#### GENERAL

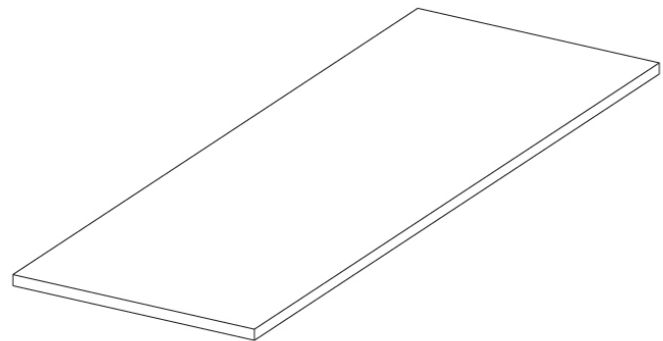
Series: Idaho \_\_\_\_\_  
Subseries: Idaho 75 \_\_\_\_\_  
Brand: Prolicht \_\_\_\_\_  
Division: Architectural \_\_\_\_\_

#### PHYSICAL

Shape: Rectangle \_\_\_\_\_  
Length (mm): 1000 \_\_\_\_\_  
Length (in): 39 <sup>3</sup>/<sub>6</sub> \_\_\_\_\_  
Width (mm): 62 \_\_\_\_\_  
Width (in): 2 <sup>7</sup>/<sub>16</sub> \_\_\_\_\_  
Height (mm): 3 \_\_\_\_\_  
Height (in): 1/8 \_\_\_\_\_  
Weight (kg): 1.65 \_\_\_\_\_  
Weight (lbs): 3.64 \_\_\_\_\_  
Diffuser: Micro-Prism - PMMA \_\_\_\_\_

#### RATINGS AND CERTIFICATIONS

Certified By: Certified for North American Standards \_\_\_\_\_  
IP rating: IP20 \_\_\_\_\_



PROJECT	
TYPE	
NOTES	
QUANTITY	
DATE	

## A3ID75-REC-SYS COMPONENTS

### A3907800

#### DESCRIPTION

Idaho 75 System - Recessed - Mounting Bracket

#### GENERAL

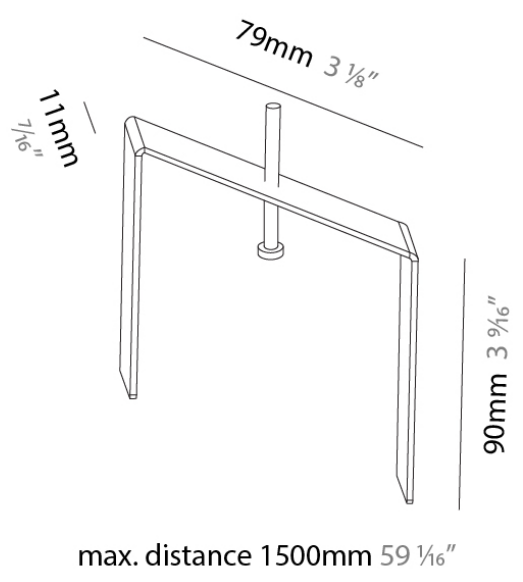
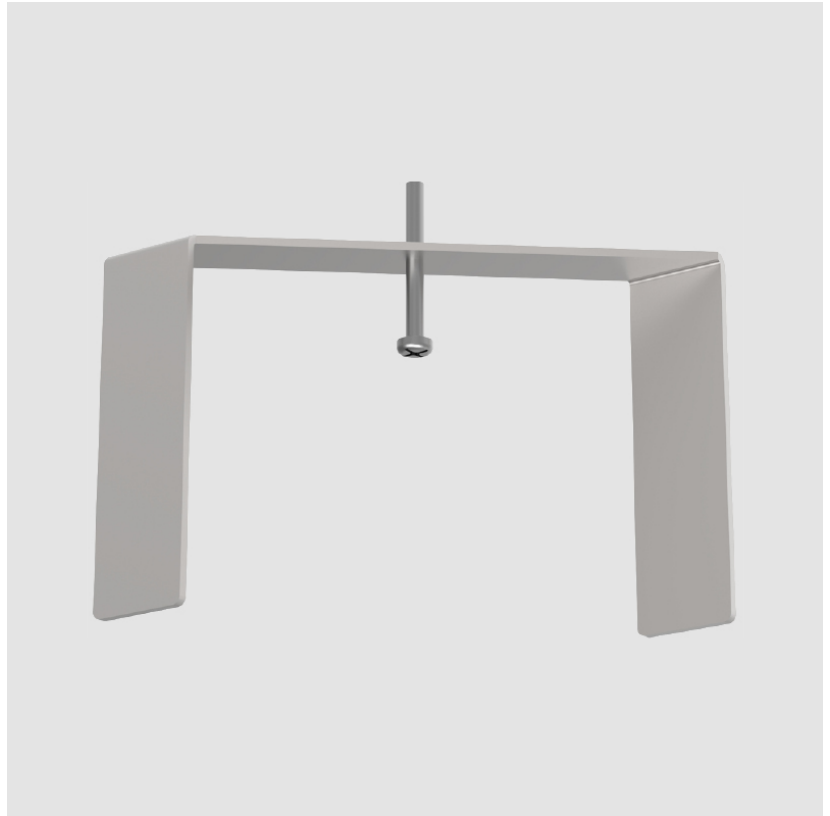
Series: Idaho  
 Subseries: Idaho 75  
 Brand: Prolicht  
 Division: Architectural

#### PHYSICAL

Length (mm): 79  
 Length (in): 3 1/8  
 Width (mm): 11  
 Width (in): 7/16  
 Height (mm): 90  
 Height (in): 3 9/16  
 Fixture Material: Aluminum

#### RATINGS AND CERTIFICATIONS

Certified By: Certified for North American Standards  
 IP rating: IP20



## A3ID75-REC-SYS COMPONENTS

PROJECT	_____
TYPE	_____
NOTES	_____
QUANTITY	_____
DATE	_____

### A39458-

#### DESCRIPTION

Idaho 75 System - Recessed / Surface / Suspension - Aluminum Cap Profile - Max 3000mm / 118 1/8"

#### GENERAL

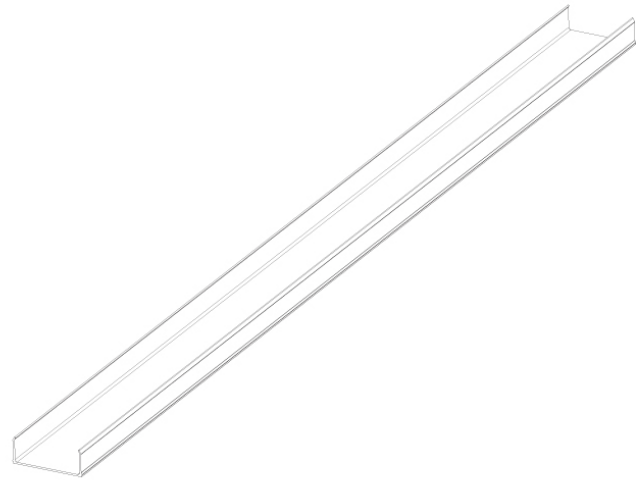
Series: Idaho \_\_\_\_\_  
Subseries: Idaho 75 \_\_\_\_\_  
Brand: Prolicht \_\_\_\_\_  
Division: Architectural \_\_\_\_\_

#### PHYSICAL

Shape: Rectangle \_\_\_\_\_  
Length (mm): 1000 \_\_\_\_\_  
Length (in): 39 3/8 \_\_\_\_\_  
Width (mm): 68 \_\_\_\_\_  
Width (in): 2 11/16 \_\_\_\_\_  
Height (mm): 24 \_\_\_\_\_  
Height (in): 15/16 \_\_\_\_\_  
Weight (kg): 0.56 \_\_\_\_\_  
Weight (lbs): 1.23 \_\_\_\_\_  
Fixture Finish: ANA / SSR / BKV / CWI / CRY / HAB / MSR / UFT / ITA /  
RUA / OGR / FTG / MYG / RWR / LOD / PUS / FRO / FUP / KIA / POP /  
BLS / SPG / MEY / GOH / GUM / CHC / COM / ABZ / JAG / OBR / MOS /  
ROR \_\_\_\_\_  
Fixture Material: Aluminum \_\_\_\_\_

#### RATINGS AND CERTIFICATIONS

Certified By: Certified for North American Standards \_\_\_\_\_  
IP rating: IP20 \_\_\_\_\_



max. 3000mm 118 1/8"





### LEGEND

 floor-mounted	 pivotable	 special LED (upon request) RGB, RGBW, tunable, gold+, meat+, art+, fashion+
 wall and ceiling: recessed and surface mounted	 rotating	 warm dim / natural dimming LED
 ceiling-mounted and wall-mounted	 illuminate tilted	 rechargeable battery powered
 wall-mounted	 color of suspension cable	 fixture with natural vivid LED (upon request)
 omni-directional light distribution	 length of suspension cable	 color rendering index
 direct light distribution	 reflector degree selection	 color temperature
 direct/indirect light distribution	 super spot	 lumen (luminous flux)
 indirect light distribution	 lens	 efficacy (lumens per watt)
 asymmetric light distribution	 lens pack	 Unified Glare Rating (UGR) range from 5-40
 aura light distribution	 shine ring	 marine grade (AISI 316 stainless steel)
 round wall or ceiling cut-out	 integrated shine ring with diffuser	 walk on
 square wall or ceiling cut-out	 free individual colors 01-29	 drive on
 the supplied jig specifies the cutout dimensions	 individual colors: 00 (free of charge), 01-25 (extra charge)	 Dark Sky Compliance
 minimum distance (meters) lamp - object	 luminaire part to be colored (F1)	 Americans with Disabilities Act (less than 4" off the wall located between 27"-84" from floor)
 recessed depth	 luminaire part to be colored (F2)	 lamp protected against explosion
 ceiling thickness in mm	 luminaire part to be colored (F3)	 blown glass using traditional methods by master glass blower
 ceiling thickness selection	 luminaire part to be colored (F4)	 acoustic material
 dimmable DP (phase), DV (0-10V), DD (dali), DS (step-dim)	 luminaire part to be colored (F5)	 protection class I, protection insulation
 included or excluded LED driver/transformer/control gear	 color of 3-circuit adaptor	 protection class II, protection insulation
 separately switchable	 indirect diffuser	 ETL Certified to UL and CSA Standards
 sensor	 direct diffuser	 UL Certified to UL and CSA Standards
 remote control	 ball-proof (upon request)	 CSA Certified to UL and CSA Standards
 available upon request	 accessory	 Certified for North American Standards

### IP RATING

 IP20	protected against ingress of solid bodies greater than 12.5mm (finger)
 IP33	protected against ingress of solid bodies greater than 2.5mm protected against sprays of water up to 60 degrees from the vertical (rain)
 IP40	protected against ingress of solid bodies greater than 1mm (wire) no protection against the ingress of moisture
 IP43	protected against ingress of solid bodies greater than 1mm (wire) protected against sprays of water up to 60 degrees from the vertical (rain)
 IP44	protected against ingress of solid bodies greater than 1mm (wire) protected against water splashed from all directions
 IP54	protected against limited ingress of dust (wet rooms/covered outdoor areas) protected against water splashed from all directions
 IP65	protected against ingress of dust protected against jets of water
 IP66	protected against ingress of dust protected against powerful jets of water or heavy seas
 IP67	protected against ingress of dust protected against immersion of water between 15cm - 1m for 30 minutes
 IP68	protected against ingress of dust protected against immersion of water under pressure for long periods

### IK RATING

 IK01	protected against 0.14 joules impact (equivalent to 0.25kg mass dropped from 56mm above the surface)
 IK02	protected against 0.2 joules impact (equivalent to 0.25kg mass dropped from 80mm above the surface)
 IK03	protected against 0.35 joules impact (equivalent to 0.25kg mass dropped from 140mm above the surface)
 IK04	protected against 0.5 joules impact (equivalent to 0.25kg mass dropped from 200mm above the surface)
 IK05	protected against 0.7 joules impact (equivalent to 0.25kg mass dropped from 280mm above the surface)
 IK06	protected against 1 joules impact (equivalent to 0.25kg mass dropped from 400mm above the surface)
 IK07	protected against 2 joules impact (equivalent to 0.5kg mass dropped from 400mm above the surface)
 IK08	protected against 5 joules impact (equivalent to 1.7kg mass dropped from 300mm above the surface)
 IK09	protected against 10 joules impact (equivalent to 5.0kg mass dropped from 200mm above the surface)
 IK10	protected against 20 joules impact (equivalent to 5.0kg mass dropped from 400mm above the surface)