

| | |
|----------|--|
| PROJECT | |
| TYPE | |
| NOTES | |
| QUANTITY | |
| DATE | |

A3ID75-SUS-SYS COMPONENTS SUSPENSION

A30505-

DESCRIPTION

Idaho 75 System - Suspension - Profile per meter - Max 3000mm / 118 1/8"

GENERAL

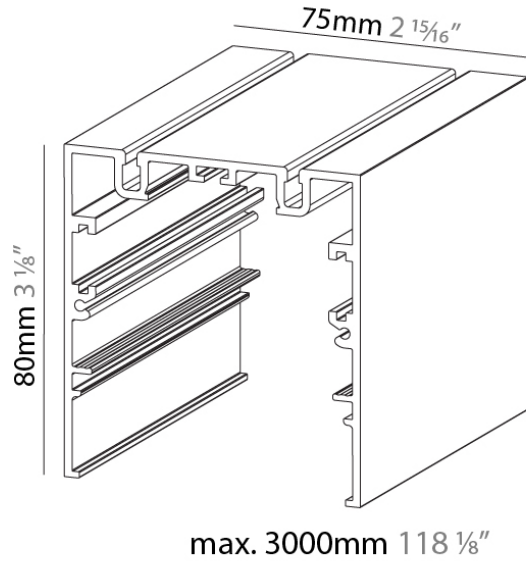
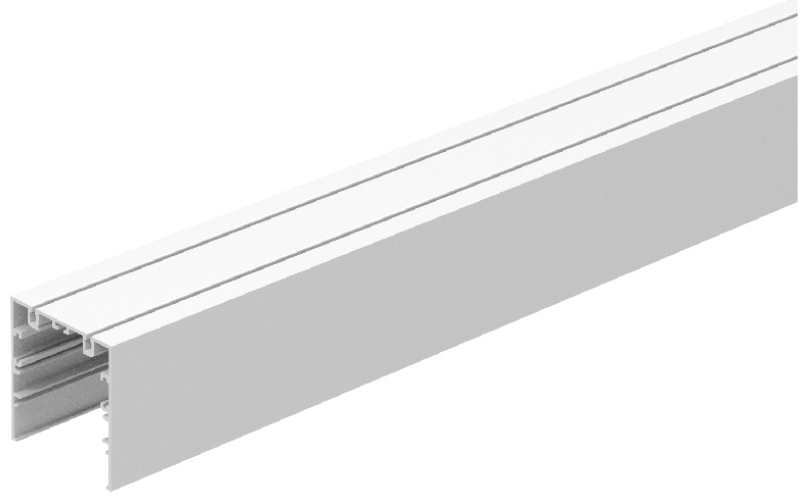
Series: Idaho
 Subseries: Idaho 75
 Brand: Prolicht
 Division: Architectural
 Mounting Type: Suspension
 Mounting Location: Ceiling
 Subcategory: Profile

PHYSICAL

Shape: Rectangle
 Length (mm): 1000
 Length (in): 39 3/8
 Width (mm): 75
 Width (in): 2 15/16
 Height (mm): 80
 Height (in): 3 1/8
 Weight (kg): 1.92
 Weight (lbs): 4.23
 Fixture Material: Aluminum

RATINGS AND CERTIFICATIONS

Certified By: Certified for North American Standards
 IP rating: IP20



A3ID75-SUS-SYS COMPONENTS

A380007-

DESCRIPTION

Idaho 75 System - Surface/Suspension Flat End Cap (with visible screws)

GENERAL

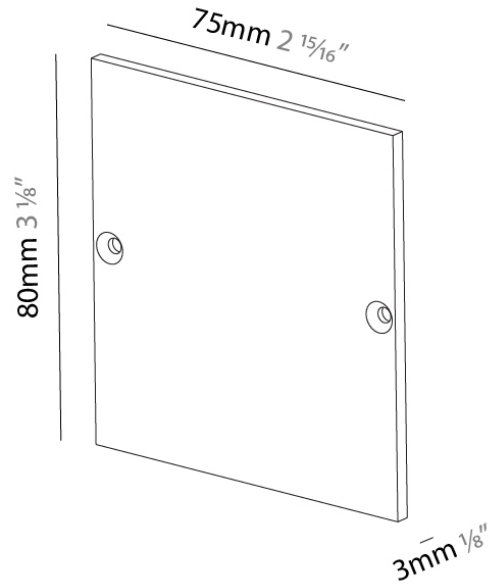
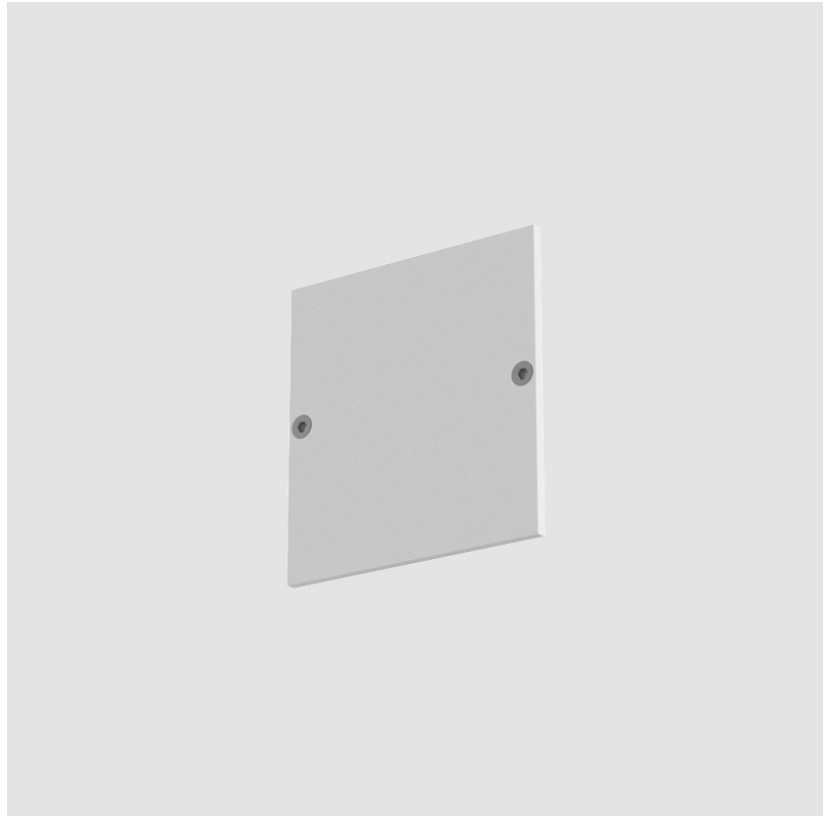
Series: Idaho _____
 Subseries: Idaho 75 _____
 Brand: Prolicht _____
 Division: Architectural _____

PHYSICAL

Shape: Rectangle _____
 Length (mm): 75 _____
 Length (in): 2 ¹⁵/₁₆ _____
 Width (mm): 3 _____
 Width (in): 1/8 _____
 Height (mm): 80 _____
 Height (in): 3 ¹/₈ _____
 Weight (kg): 0.049 _____
 Weight (lbs): 0.11 _____
 Fixture Finish: SSR / BKV / CWI / CRY / HAB / UFT / ITA / RUA / FTG / MYG / LOD / PUS / FRO / FUP / KIA / POP / BLS / SPG / MEY / GOH / GUM / CHC / COM / ABZ / JAG / OBR / MOS / ROR _____
 Fixture Material: Aluminum _____

RATINGS AND CERTIFICATIONS

Certified By: Certified for North American Standards _____
 IP rating: IP20 _____



| | |
|----------|--|
| PROJECT | |
| TYPE | |
| NOTES | |
| QUANTITY | |
| DATE | |

A3ID75-SUS-SYS COMPONENTS

A380008-

DESCRIPTION

Idaho 75 System - Surface/Suspension End Cap (without visible screws)

GENERAL

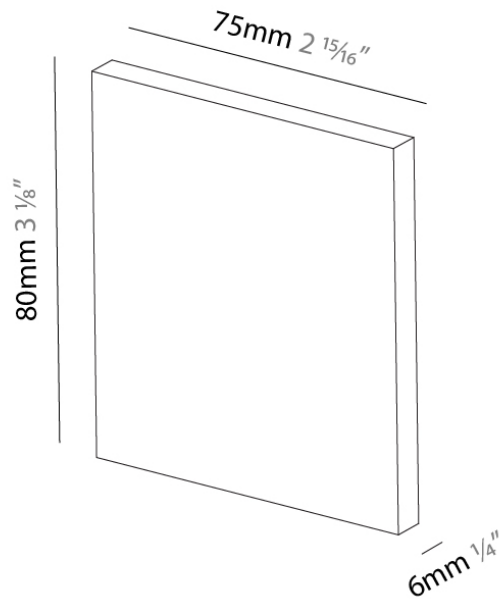
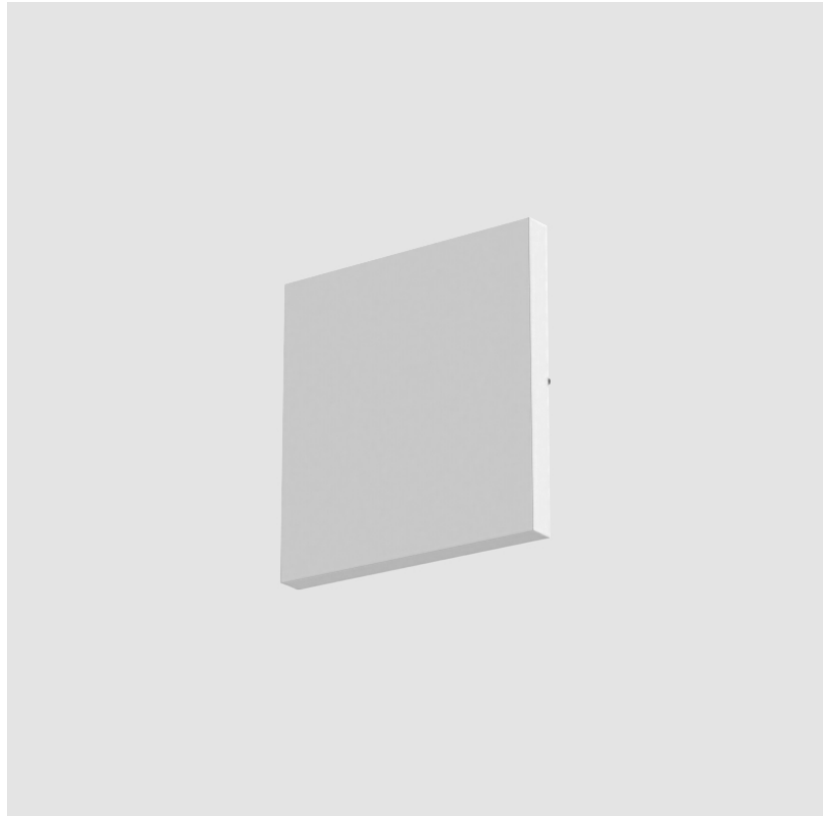
Series: Idaho
 Subseries: Idaho 75
 Brand: Prolicht
 Division: Architectural

PHYSICAL

Shape: Rectangle
 Length (mm): 75
 Length (in): 2 ¹⁵/₁₆"
 Width (mm): 6
 Width (in): 1/4
 Height (mm): 80
 Height (in): 3 ¹/₈"
 Weight (kg): 0.118
 Weight (lbs): 0.26
 Fixture Finish: SSR / BKV / CWI / CRY / HAB / UFT / ITA / RUA / FTG / MYG / LOD / PUS / FRO / FUP / KIA / POP / BLS / SPG / MEY / GOH / GUM / CHC / COM / ABZ / JAG / OBR / MOS / ROR
 Fixture Material: Aluminum

RATINGS AND CERTIFICATIONS

Certified By: Certified for North American Standards
 IP rating: IP20



| |
|----------|
| PROJECT |
| TYPE |
| NOTES |
| QUANTITY |
| DATE |

A3ID75-SUS-SYS COMPONENTS

A38155-

DESCRIPTION

Idaho 75 System - Idaline Light Insert - 1140mm / 44 7/8" - 19.6W LED (Zhaga Standard) - 3000K / 3500K / 4000K

GENERAL

Series: Idaho
 Subseries: Idaho 75
 Brand: Prolicht
 Division: Architectural
 Mounting Location: Ceiling

PHYSICAL

Shape: Rectangle
 Length (mm): 1140
 Length (in): 44 7/8
 Width (mm): 60
 Width (in): 2 3/8
 Height (mm): 50
 Height (in): 1 15/16
 Light Distribution: Direct
 Weight (kg): 1.8
 Weight (lbs): 3.97
 Fixture Material: Aluminum

ELECTRICAL

Input Wattage Range: 20 - 29 W
 Lamp Type: LED (Zhaga Standard)
 Input Wattage (W): 19.6
 Total Output Wattage (W): 16 / 12.8 (3500K)
 Dimming: 0-10V Dimming / Phase Dimming (120Vac Only)
 Driver Included: Yes
 Driver Location: Integrated
 Driver Type: Constant Current - 120 / 277Vac
 Driver Class: Class 2
 Input Voltage (V): 120 - 277
 Constant Current (mA): 350 / 400 (3500K)

LED

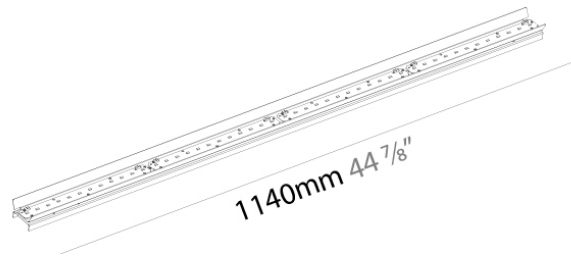
Delivered Lumen Range: 1000 - 2999 lm
 Color Temperature (°K): 3000 / 3500 / 4000
 Max. Delivered Lumen (lm): 1723 / 1753 / 1789
 Nominal Lumen (lm): 2587 / 2633 / 2687
 CRI: >90 CRI
 Efficiency (%): 0.59
 Lamp Life (hrs): 50000
 Upon Request: Special Color Temperature RGB-W Tunable White CRI (no minimum qty) price increase + longer lead time

OPTICAL

Beam Angle: 64

RATINGS AND CERTIFICATIONS

Certified By: Certified for North American Standards
 IP rating: IP20



A3ID75-SUS-SYS COMPONENTS

A38157-

DESCRIPTION

Idaho 75 System - Idaline Light Insert - 1420mm / 55 7/8" - 24.5W LED (Zhaga Standard) - 3000K / 3500K / 4000K - CRI:90

GENERAL

Series: Idaho _____
 Subseries: Idaho 75 _____
 Brand: Prolicht _____
 Division: Architectural _____
 Mounting Location: Ceiling _____

PHYSICAL

Shape: Rectangle _____
 Length (mm): 1420 _____
 Length (in): 55 7/8 _____
 Width (mm): 60 _____
 Width (in): 2 3/8 _____
 Height (mm): 50 _____
 Height (in): 1 15/16 _____
 Light Distribution: Direct _____
 Weight (kg): 2.139 _____
 Weight (lbs): 4.71 _____
 Fixture Material: Aluminum _____

ELECTRICAL

Input Wattage Range: 20 - 29 W _____
 Lamp Type: LED (Zhaga Standard) _____
 Input Wattage (W): 24.5 _____
 Total Output Wattage (W): 20 / 16 (3500K) _____
 Dimming: 0-10V Dimming / Phase Dimming (120Vac Only) _____
 Driver Included: Yes _____
 Driver Location: Integrated _____
 Driver Type: Constant Current - 120 / 277Vac _____
 Driver Class: Class 2 _____
 Input Voltage (V): 120 - 277 _____
 Constant Current (mA): 350 / 500 (3500K) _____

LED

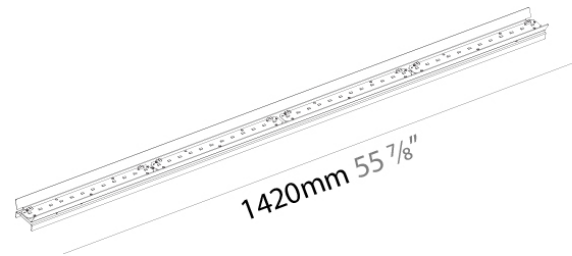
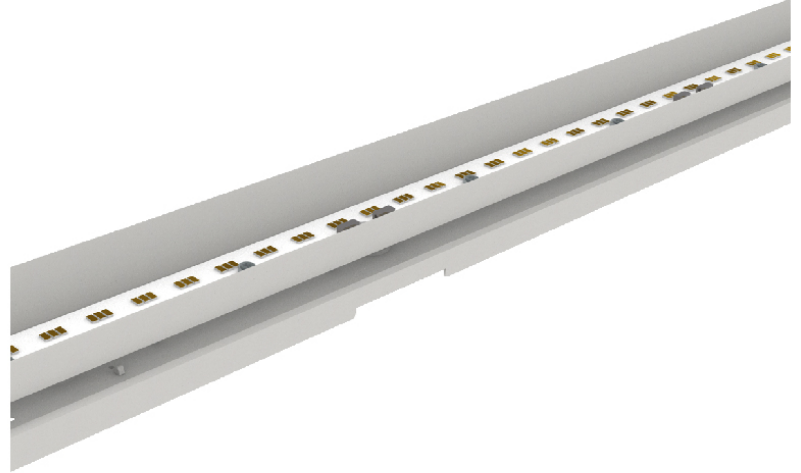
Delivered Lumen Range: 2000 - 2999 lm _____
 Color Temperature (°K): 3000 / 3500 / 4000 _____
 Max. Delivered Lumen (lm): 2153 / 2192 / 2237 _____
 Nominal Lumen (lm): 3233 / 3291 / 3358 _____
 CRI: >90 CRI _____
 Efficiency (%): 0.59 _____
 Lamp Life (hrs): 50000 _____
 Upon Request: Special Color Temperature RGB-W Tunable White CRI (no minimum qty) price increase + longer lead time _____

OPTICAL

Beam Angle: 106 _____

RATINGS AND CERTIFICATIONS

Certified By: Certified for North American Standards _____
 IP rating: IP20 _____



| |
|----------|
| PROJECT |
| TYPE |
| NOTES |
| QUANTITY |
| DATE |

A3ID75-SUS-SYS COMPONENTS

A38159-

DESCRIPTION

Idaho 75 System - Idaline Light Insert - 1700mm - 29.4W LED (Zhaga Standard) - 3000K / 3500K / 4000K - CRI:90

GENERAL

Series: Idaho
 Subseries: Idaho 75
 Brand: Prolicht
 Division: Architectural
 Mounting Location: Ceiling

PHYSICAL

Shape: Rectangle
 Length (mm): 1700
 Length (in): 66 ¹⁵/₁₆
 Width (mm): 60
 Width (in): 2 ³/₈
 Height (mm): 50
 Height (in): 1 ¹⁵/₁₆
 Light Distribution: Direct
 Weight (kg): 2.469
 Weight (lbs): 5.44
 Fixture Material: Metal

ELECTRICAL

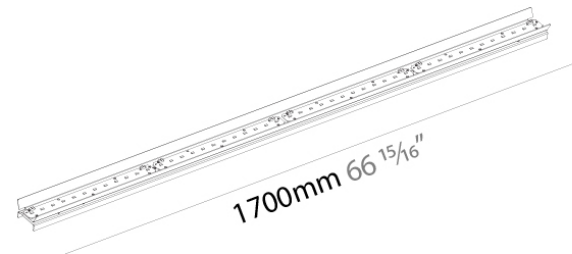
Input Wattage Range: 30 - 49 W
 Lamp Type: LED (Zhaga Standard)
 Input Wattage (W): 30
 Total Output Wattage (W): 24 / 19.2 (3500K)
 Dimming: Non-Dimming / Phase Dimming (120Vac only) / 0-10V Dimming
 Driver Included: Yes
 Driver Location: Integrated
 Driver Type: Constant Current - 120 / 277Vac
 Driver Class: Class 2
 Input Voltage (V): 120 - 277
 Constant Current (MA): 350 / 600 (3500K)

LED

Delivered Lumen Range: 2000 - 2999 lm
 Color Temperature (°K): 3000 / 3500 / 4000
 Max. Delivered Lumen (lm): 2084 / 2121 / 2164
 Nominal Lumen (lm): 3880 / 3949 / 4030
 CRI: >80 CRI
 Efficiency (%): 0.59
 Lamp Life (hrs): 50000
 Upon Request: Special Color Temperature RGB-W Tunable White CRI (no minimum qty) price increase + longer lead time

RATINGS AND CERTIFICATIONS

Certified By: Certified for North American Standards
 IP rating: IP20



| |
|----------|
| PROJECT |
| TYPE |
| NOTES |
| QUANTITY |
| DATE |

A3ID75-SUS-SYS COMPONENTS

A38161-

DESCRIPTION

Idaho 75 System - Light Insert - 1980mm - 35.7W LED (Zhaga Standard) - 3000K / 3500K / 4000K

GENERAL

Series: Idaho
 Subseries: Idaho 75
 Brand: Prolicht
 Division: Architectural
 Mounting Location: Ceiling

PHYSICAL

Shape: Rectangle
 Length (mm): 1980
 Length (in): 77 ¹⁵/₁₆
 Width (mm): 60
 Width (in): 2 ³/₈
 Height (mm): 50
 Height (in): 1 ¹⁵/₁₆
 Light Distribution: Direct
 Weight (kg): 2.805
 Weight (lbs): 6.18
 Fixture Material: Metal

ELECTRICAL

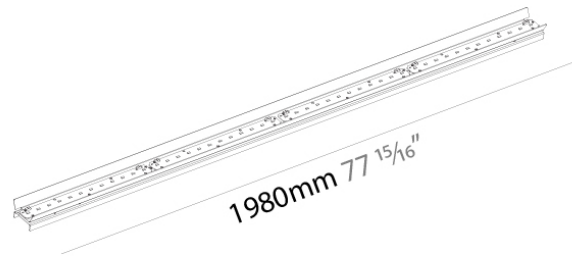
Input Wattage Range: 30 - 49 W
 Lamp Type: LED (Zhaga Standard)
 Input Wattage (W): 35
 Total Output Wattage (W): 28 / 22.4 (3500K)
 Dimming: Non-Dimming / Phase Dimming (120Vac only) / 0-10V Dimming
 Driver Included: Yes
 Driver Location: Integrated
 Driver Type: Constant Current - 120 / 277Vac
 Driver Class: Class 2
 Input Voltage (V): 120 - 277
 Constant Current (mA): 350 / 700 (3500K)

LED

Delivered Lumen Range: 3000 - 4999 lm
 Color Temperature (°K): 3000 / 3500 / 4000
 Max. Delivered Lumen (lm): 3310 / 3426 / 3496
 Nominal Lumen (lm): 4970 / 5145 / 5250
 CRI: >80 CRI
 Efficiency (%): 0.59
 Lamp Life (hrs): 50000
 Upon Request: Special Color Temperature RGB-W Tunable White CRI (no minimum qty) price increase + longer lead time

RATINGS AND CERTIFICATIONS

Certified By: Certified for North American Standards
 IP rating: IP20



| |
|----------|
| PROJECT |
| TYPE |
| NOTES |
| QUANTITY |
| DATE |

A3ID75-SUS-SYS COMPONENTS

A38163-

DESCRIPTION

Idaho 75 System - Idaline Light Insert - 2270mm / 89 3/8" - 39.2W LED (Zhaga Standard) - 3000K / 3500K / 4000K - CRI:90

GENERAL

Series: Idaho
 Subseries: Idaho 75
 Brand: Prolicht
 Division: Architectural
 Mounting Location: Ceiling

PHYSICAL

Shape: Rectangle
 Length (mm): 2270
 Length (in): 89 3/8
 Width (mm): 60
 Width (in): 2 3/8
 Height (mm): 50
 Height (in): 1 15/16
 Light Distribution: Direct
 Weight (kg): 3.162
 Weight (lbs): 6.97
 Fixture Material: Metal

ELECTRICAL

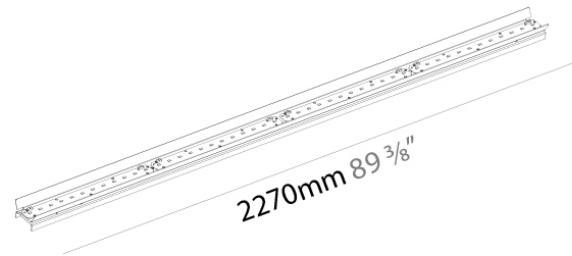
Input Wattage Range: 30 - 49 W
 Lamp Type: LED (Zhaga Standard)
 Input Wattage (W): 39.2
 Total Output Wattage (W): 35.6 / 25.6 (3500K)
 Dimming: 0-10V Dimming / Phase Dimming (120Vac Only)
 Driver Included: Yes
 Driver Location: Integrated
 Driver Type: Constant Current - 120 / 277Vac
 Driver Class: Class 2
 Input Voltage (V): 120 - 277
 Constant Current (mA): 350 / 800 (3500K)

LED

Delivered Lumen Range: 3000 - 4999 lm
 Color Temperature (°K): 3000 / 3500 / 4000
 Max. Delivered Lumen (lm): 3445 / 3507 / 3579
 Nominal Lumen (lm): 5173 / 5266 / 5373
 CRI: >90 CRI
 Efficiency (%): 0.59
 Lamp Life (hrs): 50000
 Upon Request: Special Color Temperature RGB-W Tunable White CRI (no minimum qty) price increase + longer lead time

RATINGS AND CERTIFICATIONS

Certified By: Certified for North American Standards
 IP rating: IP20



A3ID75-SUS-SYS COMPONENTS

| | |
|----------|-------|
| PROJECT | _____ |
| TYPE | _____ |
| NOTES | _____ |
| QUANTITY | _____ |
| DATE | _____ |

A3831100

DESCRIPTION

Idaho 75 System - Suspension Linear Coupler (1 pair)

GENERAL

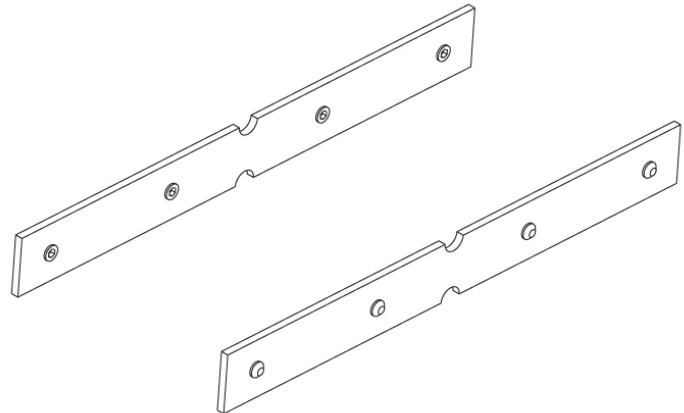
Series: Idaho
Subseries: Idaho 75
Brand: Prolicht
Division: Architectural

PHYSICAL

Shape: Rectangle
Length (mm): 117
Length (in): 4 ⁵/₈
Width (mm): 2
Width (in): 1/16
Height (mm): 16
Height (in): 5/8
Weight (kg): 0.08
Weight (lbs): 0.17
Fixture Material: Aluminum

RATINGS AND CERTIFICATIONS

Certified By: Certified for North American Standards
IP rating: IP20



A3ID75-SUS-SYS COMPONENTS

| |
|----------|
| PROJECT |
| TYPE |
| NOTES |
| QUANTITY |
| DATE |

A3831200

DESCRIPTION

Idaho 75 System - Suspension Corner Coupler 90° (1 Pair)

GENERAL

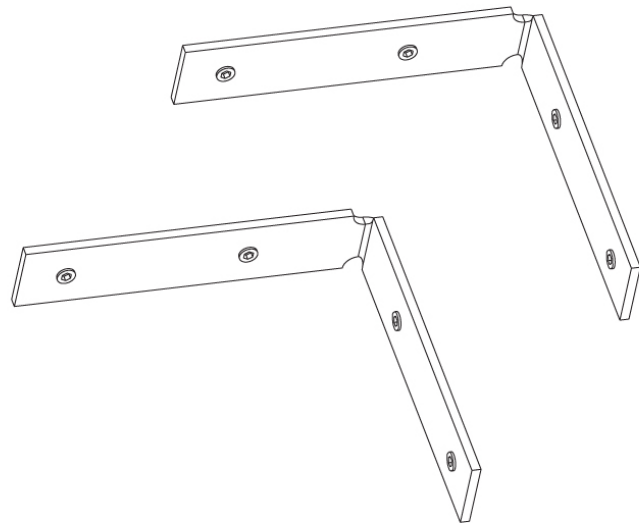
Series: Idaho
Subseries: Idaho 75
Brand: Prolicht
Division: Architectural

PHYSICAL

Length (mm): 52
Length (in): 2 ¹/₁₆
Width (mm): 52
Width (in): 2 ¹/₁₆
Height (mm): 16
Height (in): 5/8
Weight (kg): 0.133
Weight (lbs): 0.29
Fixture Material: Aluminum

RATINGS AND CERTIFICATIONS

Certified By: Certified for North American Standards
IP rating: IP20



A3ID75-SUS-SYS COMPONENTS

| | |
|----------|-------|
| PROJECT | _____ |
| TYPE | _____ |
| NOTES | _____ |
| QUANTITY | _____ |
| DATE | _____ |

A3831300

DESCRIPTION

Idaho 75 System - Suspension Corner Coupler 45°-180° (1 pair)

GENERAL

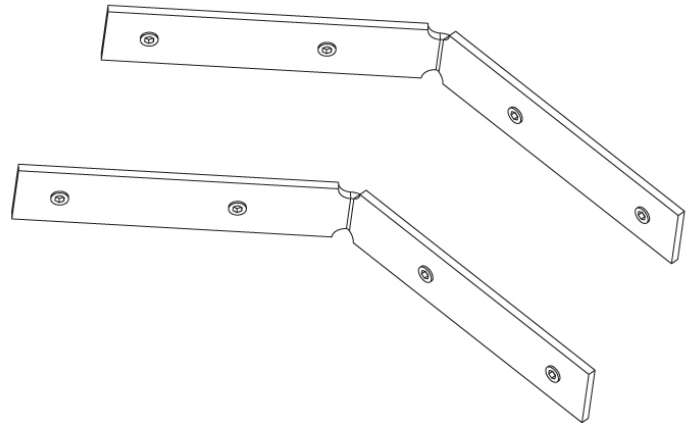
Series: Idaho
Subseries: Idaho 75
Brand: Prolicht
Division: Architectural

PHYSICAL

Length (mm): 117
Length (in): 4 ⁵/₈
Width (mm): 52
Width (in): 2 ¹/₁₆
Height (mm): 16
Height (in): 5/8"
Weight (kg): 0.162
Weight (lbs): 0.36
Fixture Material: Aluminum

RATINGS AND CERTIFICATIONS

Certified By: Certified for North American Standards
IP rating: IP20



| | |
|----------|--|
| PROJECT | |
| TYPE | |
| NOTES | |
| QUANTITY | |
| DATE | |

A3ID75-SUS-SYS COMPONENTS

A38627-

DESCRIPTION

Idaho 75 System - 1 Spot Light Insert - 9.8W LED (Zhaga Standard) - 2700K / 3000K / 3500K / 4000K - Reflectors 20° / 40° / 60°

GENERAL

Series: Idaho
 Subseries: Idaho 75
 Brand: Prolicht
 Division: Architectural

PHYSICAL

Shape: Round
 Length (mm): 300
 Length (in): 11 ¹³/₁₆
 Width (mm): 59
 Width (in): 2 ³/₁₆
 Height (mm): 79
 Height (in): 3 ¹/₈
 Light Distribution: Direct
 Weight (kg): 0.298
 Weight (lbs): 0.66

Fixture Finish: SSR / BKV / CWI / CRY / HAB / UFT / ITA / RUA / FTG / MYG / LOD / PUS / FRO / FUP / KIA / POP / BLS / SPG / MEY / GOH / GUM / CHC / COM / ABZ / JAG / OBR / MOS / ROR

Fixture Material: Aluminum Die Cast

ELECTRICAL

Input Wattage Range: 10 - 19 W
 Lamp Type: LED (Zhaga Standard)
 Input Wattage (W): 9.8
 Total Output Wattage (W): 8.9
 Dimming: 0-10V Dimming / Phase Dimming (120Vac Only)
 Driver Included: Yes
 Driver Location: Integrated
 Driver Type: Constant Current - 120 / 277Vac
 Driver Class: Class 2
 Input Voltage (V): 120 - 277
 Constant Current (MA): 350

LED

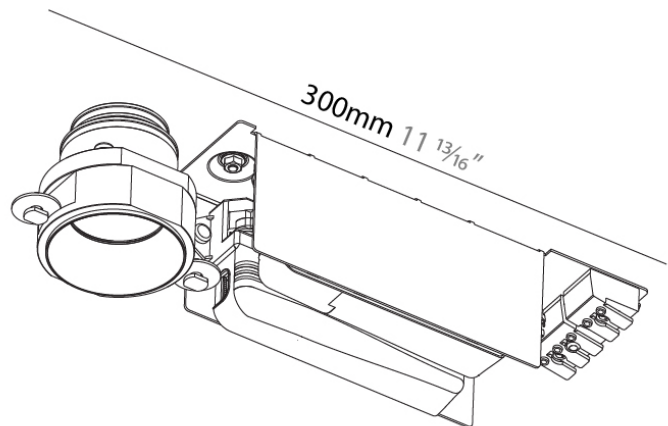
Delivered Lumen Range: 500 - 999 lm
 Number of LEDs: 1
 Color Temperature (°K): 2700 / 3000 / 3500 / 4000
 Max. Delivered Lumen (lm): 660 / 690 / 725 / 740
 Nominal Lumen (lm): 983 / 1020 / 1072 / 1094
 CRI: >90 CRI
 Efficiency (%): 88.4
 Lamp Life (hrs): 50000

OPTICAL

Reflector°: 20 / 40 / 60

RATINGS AND CERTIFICATIONS

Certified By: Certified for North American Standards
 IP rating: IP20



| | |
|----------|--|
| PROJECT | |
| TYPE | |
| NOTES | |
| QUANTITY | |
| DATE | |

A3ID75-SUS-SYS COMPONENTS

A38630-

DESCRIPTION

Idaho 75 System - 2 Spot Light Insert - 19.6W LED (Zhaga Standard) - 2700K / 3000K / 3500K / 4000K - CRI: 90 - Reflectors 20° / 40° / 60°

GENERAL

Series: Idaho
 Subseries: Idaho 75
 Brand: Prolicht
 Division: Architectural

PHYSICAL

Shape: Round
 Length (mm): 400
 Length (in): 15 ³/₄
 Width (mm): 59
 Width (in): 2 ³/₁₆
 Height (mm): 79
 Height (in): 3 ¹/₈
 Light Distribution: Direct
 Weight (kg): 0.6
 Weight (lbs): 1.32

Fixture Finish: SSR / BKV / CWI / CRY / HAB / UFT / ITA / RUA / FTG / MYG / LOD / PUS / FRO / FUP / KIA / POP / BLS / SPG / MEY / GOH / GUM / CHC / COM / ABZ / JAG / OBR / MOS / ROR

Fixture Material: Aluminum Die Cast

ELECTRICAL

Input Wattage Range: 10 - 19 W
 Lamp Type: LED (Zhaga Standard)
 Input Wattage (W): 19.6
 Total Output Wattage (W): 17.8
 Dimming: 0-10V Dimming / Phase Dimming (120Vac Only)
 Driver Included: Yes
 Driver Location: Integrated
 Driver Type: Constant Current - 120 / 277Vac
 Driver Class: Class 2
 Input Voltage (V): 120 - 277
 Constant Current (MA): 350

LED

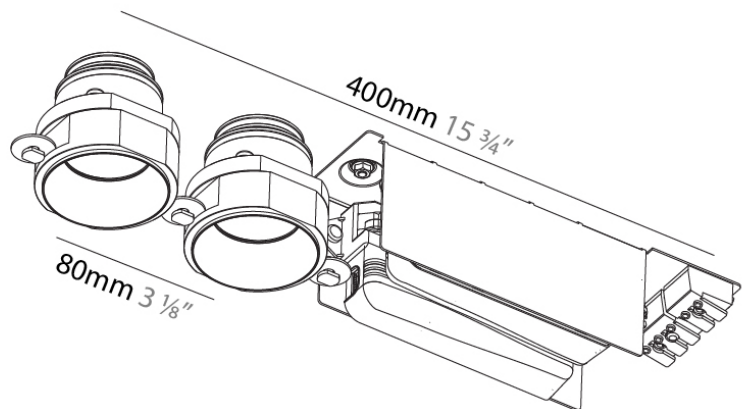
Delivered Lumen Range: 1000 - 1999 lm
 Number of LEDs: 2
 Color Temperature (°K): 2700 / 3000 / 3500 / 4000
 Max. Delivered Lumen (lm): 1320 / 1370 / 1441 / 1470
 Nominal Lumen (lm): 1966 / 2040 / 2144 / 2188
 CRI: >90 CRI
 Efficiency (%): 88.4
 Lamp Life (hrs): 50000

OPTICAL

Reflector°: 20 / 40 / 60

RATINGS AND CERTIFICATIONS

Certified By: Certified for North American Standards
 IP rating: IP20



A3ID75-SUS-SYS COMPONENTS

| | |
|----------|-------|
| PROJECT | _____ |
| TYPE | _____ |
| NOTES | _____ |
| QUANTITY | _____ |
| DATE | _____ |

A39013-

DESCRIPTION

Suspension Power Feed 3x0.75, 2000mm

GENERAL

Brand: Prolicht

Division: Architectural

PHYSICAL

Shape: Round

Diameter (mm): 114

Diameter (in): 4 1/2

Length (mm): 2000

Length (in): 78 3/4

Width (mm): 81

Width (in): 3 1/16

Height (mm): 32

Height (in): 1 1/4

Weight (kg): 0.3

Weight (lbs): 0.66

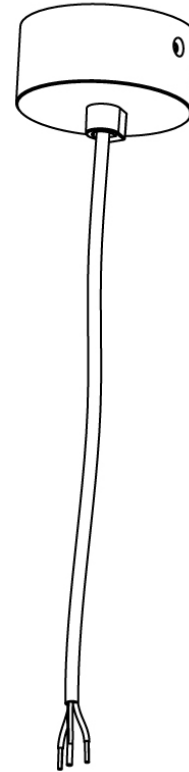
Fixture Finish: ANA / SSR / BKV / CWI / CRY / HAB / MSR / UFT / ITA / RUA / OGR / FTG / MYG / RWR / LOD / PUS / FRO / FUP / KIA / POP / BLS / SPG / MEY / GOH / GUM / CHC / COM / ABZ / JAG / OBR / MOS / ROR

Fixture Material: Aluminum

RATINGS AND CERTIFICATIONS

Certified By: Certified for North American Standards

IP rating: IP20



A3ID75-SUS-SYS COMPONENTS

| | |
|----------|-------|
| PROJECT | _____ |
| TYPE | _____ |
| NOTES | _____ |
| QUANTITY | _____ |
| DATE | _____ |

A39014-

DESCRIPTION

Suspension Power Feed 5x0.75 - 2000mm

GENERAL

Brand: Prolicht

Division: Architectural

PHYSICAL

Shape: Round

Diameter (mm): 114

Diameter (in): 4 1/2

Length (mm): 2000

Length (in): 78 3/4

Width (mm): 81

Width (in): 3 1/16

Height (mm): 32

Height (in): 1 1/4

Weight (kg): 0.3

Weight (lbs): 0.661

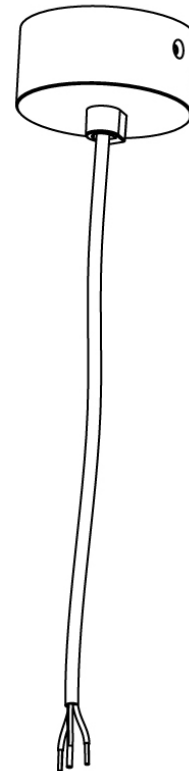
Fixture Finish: ANA / SSR / BKV / CWI / CRY / HAB / MSR / UFT / ITA / RUA / OGR / FTG / MYG / RWR / LOD / PUS / FRO / FUP / KIA / POP / BLS / SPG / MEY / GOH / GUM / CHC / COM / ABZ / JAG / OBR / MOS / ROR

Fixture Material: Aluminum

RATINGS AND CERTIFICATIONS

Certified By: Certified for North American Standards

IP rating: IP20



A3ID75-SUS-SYS COMPONENTS

PROJECT _____

TYPE _____

NOTES _____

QUANTITY _____

DATE _____

A39015-

DESCRIPTION

Suspension Power Feed 4x0.75 2000mm 2 Circuits Phase Dimming

GENERAL

Brand: Prolicht

Division: Architectural

PHYSICAL

Shape: Round

Diameter (mm): 114

Diameter (in): 4 1/2

Length (mm): 6000

Length (in): 236 1/4

Width (mm): 81

Width (in): 3 1/16

Height (mm): 32

Height (in): 1 1/4

Weight (kg): 0.118

Weight (lbs): 0.26

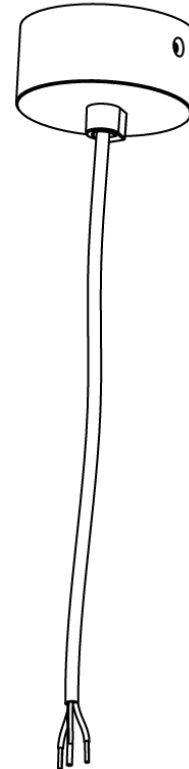
Fixture Finish: ANA / SSR / BKV / CWI / CRY / HAB / MSR / UFT / ITA / RUA / OGR / FTG / MYG / RWR / LOD / PUS / FRO / FUP / KIA / POP / BLS / SPG / MEY / GOH / GUM / CHC / COM / ABZ / JAG / OBR / MOS / ROR

Fixture Material: Aluminum

RATINGS AND CERTIFICATIONS

Certified By: Certified for North American Standards

IP rating: IP20



A3ID75-SUS-SYS COMPONENTS

| | |
|----------|-------|
| PROJECT | _____ |
| TYPE | _____ |
| NOTES | _____ |
| QUANTITY | _____ |
| DATE | _____ |

A39016-

DESCRIPTION

Suspension Power Feed 3x0.75, 6000mm

GENERAL

Brand: Prolicht

Division: Architectural

PHYSICAL

Shape: Round

Diameter (mm): 114

Diameter (in): 4 1/4

Length (mm): 6000

Length (in): 236 1/4

Width (mm): 81

Width (in): 3 1/16

Height (mm): 32

Height (in): 1 1/4

Weight (kg): 0.117

Weight (lbs): 0.258

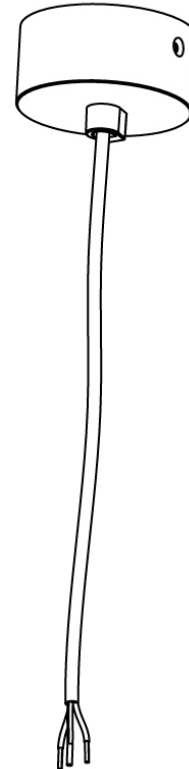
Fixture Finish: ANA / SSR / BKV / CWI / CRY / HAB / MSR / UFT / ITA / RUA / OGR / FTG / MYG / RWR / LOD / PUS / FRO / FUP / KIA / POP / BLS / SPG / MEY / GOH / GUM / CHC / COM / ABZ / JAG / OBR / MOS / ROR

Fixture Material: Aluminum

RATINGS AND CERTIFICATIONS

Certified By: Certified for North American Standards

IP rating: IP20



A3ID75-SUS-SYS COMPONENTS

| | |
|----------|-------|
| PROJECT | _____ |
| TYPE | _____ |
| NOTES | _____ |
| QUANTITY | _____ |
| DATE | _____ |

A39017-

DESCRIPTION

Suspension Power Feed 5x0.75, 6000mm

GENERAL

Brand: Prolicht

Division: Architectural

PHYSICAL

Shape: Round

Diameter (mm): 81

Diameter (in): 3 ³/₁₆

Length (mm): 6000

Length (in): 236 ¹/₄

Width (mm): 81

Width (in): 3 ³/₁₆

Height (mm): 32

Height (in): 1 ¹/₄

Weight (kg): 0.117

Weight (lbs): 0.258

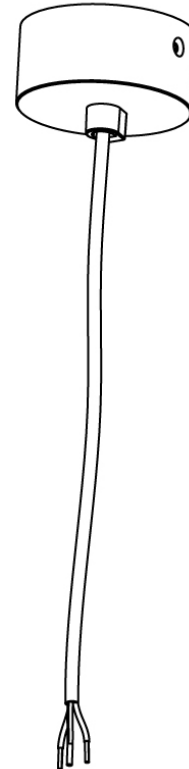
Fixture Finish: ANA / SSR / BKV / CWI / CRY / HAB / MSR / UFT / ITA / RUA / OGR / FTG / MYG / RWR / LOD / PUS / FRO / FUP / KIA / POP / BLS / SPG / MEY / GOH / GUM / CHC / COM / ABZ / JAG / OBR / MOS / ROR

Fixture Material: Aluminum

RATINGS AND CERTIFICATIONS

Certified By: Certified for North American Standards

IP rating: IP20



A3ID75-SUS-SYS COMPONENTS

A39018-

DESCRIPTION

Suspension Power Feed 4x0.75, 6000mm 2 Circuits Phase Dimming

GENERAL

Brand: Prolicht

Division: Architectural

PHYSICAL

Shape: Round

Diameter (mm): 81

Diameter (in): 3 ³/₁₆

Length (mm): 3 3/16

Length (in): 236 ³/₄

Width (mm): 81

Width (in): 3 ³/₁₆

Height (mm): 32

Height (in): 1 ¹/₄

Weight (kg): 0.35

Weight (lbs): 0.77

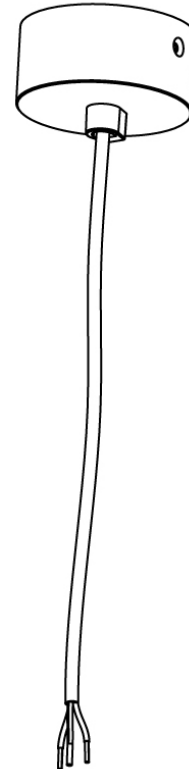
Fixture Finish: ANA / SSR / BKV / CWI / CRY / HAB / MSR / UFT / ITA / RUA / OGR / FTG / MYG / RWR / LOD / PUS / FRO / FUP / KIA / POP / BLS / SPG / MEY / GOH / GUM / CHC / COM / ABZ / JAG / OBR / MOS / ROR

Fixture Material: Aluminum

RATINGS AND CERTIFICATIONS

Certified By: Certified for North American Standards

IP rating: IP20



| |
|----------|
| PROJECT |
| TYPE |
| NOTES |
| QUANTITY |
| DATE |

A3ID75-SUS-SYS COMPONENTS

A39064-

DESCRIPTION

Groove System - Suspension Cable 6000mm (1 pair)

GENERAL

Series: Groove
 Brand: Prolicht
 Division: Architectural

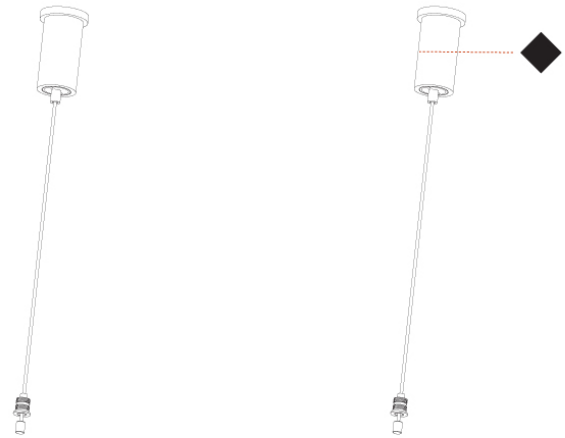
PHYSICAL

Diameter (mm): 22
 Diameter (in): 7/8
 Length (mm): 6000
 Length (in): 236 1/4
 Height (mm): 33
 Height (in): 1 3/16
 Weight (kg): 0.11
 Weight (lbs): 0.24
 Fixture Finish: ANA / SSR / BKV / CWI / CRY / HAB / MSR / UFT / ITA / RUA / OGR / FTG / MYG / RWR / LOD / PUS / FRO / FUP / KIA / POP / BLS / SPG / MEY / GOH / GUM / CHC / COM / ABZ / JAG / OBR / MOS / ROR

Fixture Material: Aluminum

RATINGS AND CERTIFICATIONS

Certified By: Certified for North American Standards
 IP rating: IP20



distance 1800mm 70 7/8"



| |
|----------|
| PROJECT |
| TYPE |
| NOTES |
| QUANTITY |
| DATE |

A3ID75-SUS-SYS COMPONENTS

A39065-

DESCRIPTION

Groove System - Suspension Y-Suspension Cable with Quick Release Fastener L=6000mm

GENERAL

Series: Groove
 Brand: Prolicht
 Division: Architectural

PHYSICAL

Diameter (mm): 22
 Diameter (in): 7/8
 Length (mm): 6000
 Length (in): 236 1/4
 Height (mm): 33
 Height (in): 1 5/16
 Weight (kg): 0.03
 Weight (lbs): 0.07

Fixture Finish: ANA / SSR / BKV / CWI / CRY / HAB / MSR / UFT / ITA / RUA / OGR / FTG / MYG / RWR / LOD / PUS / FRO / FUP / KIA / POP / BLS / SPG / MEY / GOH / GUM / CHC / COM / ABZ / JAG / OBR / MOS / ROR

Fixture Material: Aluminum

RATINGS AND CERTIFICATIONS

Certified By: Certified for North American Standards
 IP rating: IP20



distance 1800mm 70 7/8"



A3ID75-SUS-SYS COMPONENTS

| | |
|----------|-------|
| PROJECT | _____ |
| TYPE | _____ |
| NOTES | _____ |
| QUANTITY | _____ |
| DATE | _____ |

A39066-

DESCRIPTION

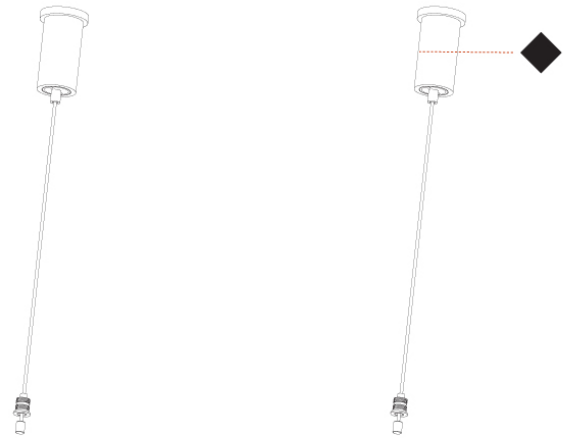
Groove System - Suspension Cable 2000mm (1 pair)

GENERAL

Series: Groove
Brand: Prolicht
Division: Architectural

PHYSICAL

Diameter (mm): 22
Diameter (in): 7/8
Length (mm): 2000
Length (in): 78 3/4
Height (mm): 33
Height (in): 1 5/16
Weight (kg): 0.12
Weight (lbs): 0.264
Fixture Finish: ANA / SSR / BKV / CWI / CRY / HAB / MSR / UFT / ITA / RUA / OGR / FTG / MYG / RWR / LOD / PUS / FRO / FUP / KIA / POP / BLS / SPG / MEY / GOH / GUM / CHC / COM / ABZ / JAG / OBR / MOS / ROR
Fixture Material: Aluminum
Ratings and Certifications
Certified By: Certified for North American Standards
IP rating: IP20



| | |
|----------|-------|
| PROJECT | _____ |
| TYPE | _____ |
| NOTES | _____ |
| QUANTITY | _____ |
| DATE | _____ |

A3ID75-SUS-SYS COMPONENTS

A3906700

DESCRIPTION

Idaho 75 System - Recessed/Surface/Suspension - Opal Diffuser per meter - Max 3000mm / 118 1/8"

GENERAL

Series: Idaho _____
Subseries: Idaho 75 _____
Brand: Prolicht _____
Division: Architectural _____

PHYSICAL

Shape: Rectangle _____
Length (mm): 1000 _____
Length (in): 39 3/8 _____
Width (mm): 68 _____
Width (in): 2 11/16 _____
Height (mm): 25 _____
Height (in): 1 _____
Weight (kg): 0.32 _____
Weight (lbs): 0.7 _____
Diffuser: PMMA - Opal _____

RATINGS AND CERTIFICATIONS

Certified By: Certified for North American Standards _____
IP rating: IP20 _____



max. 3000mm 118 1/8"



| | |
|----------|-------|
| PROJECT | _____ |
| TYPE | _____ |
| NOTES | _____ |
| QUANTITY | _____ |
| DATE | _____ |

A3ID75-SUS-SYS COMPONENTS

A3907200

DESCRIPTION

Idaho 75 System - Recessed/Surface/Suspension - Micro-prism Diffuser per meter - Max 3000mm / 118 1/8"

GENERAL

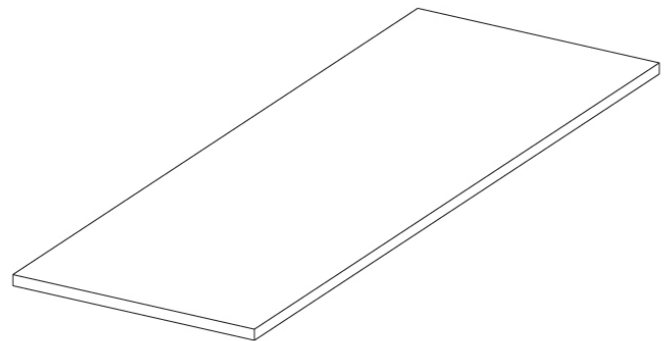
Series: Idaho _____
Subseries: Idaho 75 _____
Brand: Prolicht _____
Division: Architectural _____

PHYSICAL

Shape: Rectangle _____
Length (mm): 1000 _____
Length (in): 39 ³/₆ _____
Width (mm): 62 _____
Width (in): 2 ⁷/₁₆ _____
Height (mm): 3 _____
Height (in): 1/8 _____
Weight (kg): 1.65 _____
Weight (lbs): 3.64 _____
Diffuser: Micro-Prism - PMMA _____

RATINGS AND CERTIFICATIONS

Certified By: Certified for North American Standards _____
IP rating: IP20 _____



| |
|----------|
| PROJECT |
| TYPE |
| NOTES |
| QUANTITY |
| DATE |

A3ID75-SUS-SYS COMPONENTS

A39077-

DESCRIPTION

Groove System - Suspension Y-Suspension Cable with Quick Release Fastener L=2000mm

GENERAL

Series: Groove
 Brand: Prolicht
 Division: Architectural

PHYSICAL

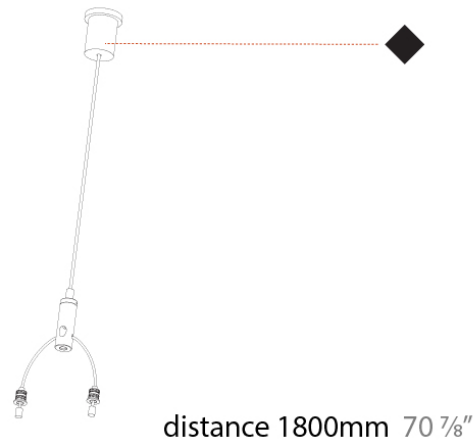
Diameter (mm): 22
 Diameter (in): 7/8
 Length (mm): 2000
 Length (in): 78 3/4
 Height (mm): 33
 Height (in): 1 5/16
 Weight (kg): 0.03
 Weight (lbs): 0.07

Fixture Finish: ANA / SSR / BKV / CWI / CRY / HAB / MSR / UFT / ITA / RUA / OGR / FTG / MYG / RWR / LOD / PUS / FRO / FUP / KIA / POP / BLS / SPG / MEY / GOH / GUM / CHC / COM / ABZ / JAG / OBR / MOS / ROR

Fixture Material: Aluminum

RATINGS AND CERTIFICATIONS

Certified By: Certified for North American Standards
 IP rating: IP20



A3ID75-SUS-SYS COMPONENTS

A39458-

DESCRIPTION

Idaho 75 System - Recessed / Surface / Suspension - Aluminum Cap Profile - Max 3000mm / 118 1/8"

GENERAL

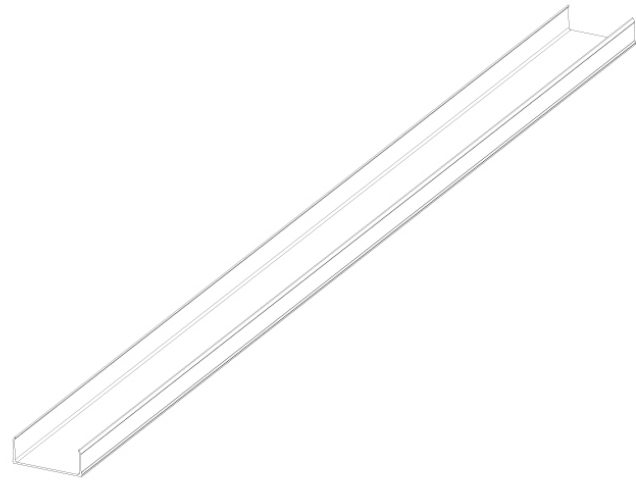
Series: Idaho _____
Subseries: Idaho 75 _____
Brand: Prolicht _____
Division: Architectural _____

PHYSICAL

Shape: Rectangle _____
Length (mm): 1000 _____
Length (in): 39 3/8 _____
Width (mm): 68 _____
Width (in): 2 11/16 _____
Height (mm): 24 _____
Height (in): 15/16 _____
Weight (kg): 0.56 _____
Weight (lbs): 1.23 _____
Fixture Finish: ANA / SSR / BKV / CWI / CRY / HAB / MSR / UFT / ITA / RUA / OGR / FTG / MYG / RWR / LOD / PUS / FRO / FUP / KIA / POP / BLS / SPG / MEY / GOH / GUM / CHC / COM / ABZ / JAG / OBR / MOS / ROR _____
Fixture Material: Aluminum _____

RATINGS AND CERTIFICATIONS

Certified By: Certified for North American Standards _____
IP rating: IP20 _____



max. 3000mm 118 1/8"



LEGEND

| | | | | | |
|--|---|--|--|--|--|
| | floor-mounted | | pivotal | | special LED (upon request) RGB, RGBW, tunable, gold+, meat+, art+, fashion+ |
| | wall and ceiling: recessed and surface mounted | | rotating | | warm dim / natural dimming LED |
| | ceiling-mounted and wall-mounted | | illuminate tilted | | rechargeable battery powered |
| | wall-mounted | | color of suspension cable | | fixture with natural vivid LED (upon request) |
| | omni-directional light distribution | | length of suspension cable | | color rendering index |
| | direct light distribution | | reflector degree selection | | color temperature |
| | direct/indirect light distribution | | super spot | | lumen (luminous flux) |
| | indirect light distribution | | lens | | efficacy (lumens per watt) |
| | asymmetric light distribution | | lens pack | | Unified Glare Rating (UGR) range from 5-40 |
| | aura light distribution | | shine ring | | marine grade (AISI 316 stainless steel) |
| | round wall or ceiling cut-out | | integrated shine ring with diffuser | | walk on |
| | square wall or ceiling cut-out | | free individual colors 01-29 | | drive on |
| | the supplied jig specifies the cutout dimensions | | individual colors: 00 (free of charge), 01-25 (extra charge) | | Dark Sky Compliance |
| | minimum distance (meters) lamp - object | | luminaire part to be colored (F1) | | Americans with Disabilities Act (less than 4" off the wall located between 27"-84" from floor) |
| | recessed depth | | luminaire part to be colored (F2) | | lamp protected against explosion |
| | ceiling thickness in mm | | luminaire part to be colored (F3) | | blown glass using traditional methods by master glass blower |
| | ceiling thickness selection | | luminaire part to be colored (F4) | | acoustic material |
| | dimmable DP (phase), DV (0-10V), DD (dali), DS (step-dim) | | luminaire part to be colored (F5) | | protection class I, protection insulation |
| | included or excluded LED driver/transformer/control gear | | color of 3-circuit adaptor | | protection class II, protection insulation |
| | separately switchable | | indirect diffuser | | ETL Certified to UL and CSA Standards |
| | sensor | | direct diffuser | | UL Certified to UL and CSA Standards |
| | remote control | | ball-proof (upon request) | | CSA Certified to UL and CSA Standards |
| | available upon request | | accessory | | Certified for North American Standards |

IP RATING

| | |
|--|--|
| | protected against ingress of solid bodies greater than 12.5mm (finger) |
| | protected against ingress of solid bodies greater than 2.5mm protected against sprays of water up to 60 degrees from the vertical (rain) |
| | protected against ingress of solid bodies greater than 1mm (wire) no protection against the ingress of moisture |
| | protected against ingress of solid bodies greater than 1mm (wire) protected against sprays of water up to 60 degrees from the vertical (rain) |
| | protected against ingress of solid bodies greater than 1mm (wire) protected against water splashed from all directions |
| | protected against limited ingress of dust (wet rooms/covered outdoor areas) protected against water splashed from all directions |
| | protected against ingress of dust protected against jets of water |
| | protected against ingress of dust protected against powerful jets of water or heavy seas |
| | protected against ingress of dust protected against immersion of water between 15cm - 1m for 30 minutes |
| | protected against ingress of dust protected against immersion of water under pressure for long periods |

IK RATING

| | |
|--|---|
| | protected against 0.14 joules impact (equivalent to 0.25kg mass dropped from 56mm above the surface) |
| | protected against 0.2 joules impact (equivalent to 0.25kg mass dropped from 80mm above the surface) |
| | protected against 0.35 joules impact (equivalent to 0.25kg mass dropped from 140mm above the surface) |
| | protected against 0.5 joules impact (equivalent to 0.25kg mass dropped from 200mm above the surface) |
| | protected against 0.7 joules impact (equivalent to 0.25kg mass dropped from 280mm above the surface) |
| | protected against 1 joules impact (equivalent to 0.25kg mass dropped from 400mm above the surface) |
| | protected against 2 joules impact (equivalent to 0.5kg mass dropped from 400mm above the surface) |
| | protected against 5 joules impact (equivalent to 1.7kg mass dropped from 300mm above the surface) |
| | protected against 10 joules impact (equivalent to 5.0kg mass dropped from 200mm above the surface) |
| | protected against 20 joules impact (equivalent to 5.0kg mass dropped from 400mm above the surface) |