

## A3SGS65-REC-SYS COMPONENTS RECESSED

### A35156-

#### DESCRIPTION

Super-G Slim 1140 - Recessed - 1140mm / 44 7/8" - 26.4W LED (Zhaga Standard) - 3000K / 3500K / 4000K

#### GENERAL

Series: Super-G  
 Subseries: Super-G Slim 65  
 Brand: Prolicht  
 Division: Architectural  
 Mounting Type: Recessed  
 Mounting Location: Ceiling  
 Subcategory: Profile

#### PHYSICAL

Shape: Rectangle  
 Length (mm): 1140  
 Length (in): 44 7/8  
 Width (mm): 81  
 Width (in): 3 3/16  
 Height (mm): 81  
 Height (in): 3 3/16  
 Ceiling Thickness (mm): 10 / 12.5 / 15 / 25 / 30  
 Ceiling Thickness (in): 3/8 or 1/2 or 9/16 or 1 or 1 3/16  
 Min. Recessing Depth (mm): 120  
 Min. Recessing Depth (in): 4 3/4  
 Light Distribution: Direct  
 Weight (kg): 4.267  
 Weight (lbs): 9.41  
 Diffuser: PMMA - Opal or Micro-Prism  
 Fixture Finish: SSR / BKV / CWI / CRY / HAB / UFT / ITA / RUA / FTG / MYG / LOD / PUS / FRO / FUP / KIA / POP / BLS / SPG / MEY / GOH / GUM / CHC / COM / ABZ / JAG / OBR / MOS / ROR  
 Fixture Material: Extruded Aluminum  
 Cut-out Measurements: 1140mm / 44 7/8" x 72mm / 2 13/16"

#### ELECTRICAL

Input Wattage Range: 20 - 29 W  
 Lamp Type: LED (Zhaga Standard)  
 Input Wattage (W): 26.4  
 Total Output Wattage (W): 24  
 Dimming: Tri-Mode (Non-Dimming and Phase Dimming (120Vac only) and 0-10V Dimming)  
 Driver Included: Yes  
 Driver Location: Integrated  
 Driver Type: Constant Current - Universal  
 Driver Class: Class 2  
 Input Voltage (V): 120 - 277  
 Constant Current (MA): 350

#### LED

Delivered Lumen Range: 2000 - 2999 lm  
 Color Temperature (°K): 3000 / 3500 / 4000  
 Max. Delivered Lumen (lm): 2940 / 2999 / 3060  
 Nominal Lumen (lm): 3840 / 3920 / 4000  
 CRI: >90 CRI  
 Efficiency (%): 46% (8mm Perspex)  
 Lamp Life (hrs): 50000

#### OPTICAL

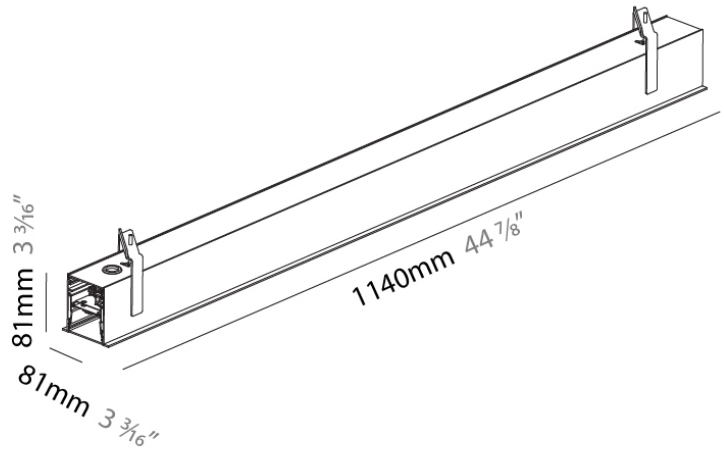
Beam Angle: 82

#### RATINGS AND CERTIFICATIONS

Zaneen Group Inc. © 2024, T 1800-388-3382, F 416-247-9319, www.zaneen.com

Certified By: Certified for North American Standards  
 of the existing Model #. For assistance on 'custom' specifications, contact zteam@zaneen.com.

In an effort to supply the best product, we reserve the right to change specifications or materials without notice. The most recent specification sheets are found at zaneen.com



1150mm x 72mm  
 45 1/4" x 2 13/16"



120mm  
 4 3/4"



10 - 30mm  
 3/8" - 1 3/16"



PROJECT	
TYPE	
NOTES	
QUANTITY	
DATE	

## A3SGS65-REC-SYS COMPONENTS RECESSED

### A35158-

#### DESCRIPTION

Super-G Slim 2000 - Recessed - 2000mm / 78 3/4" - 49W LED (Zhaga Standard) - 3000K / 3500K / 4000K

#### GENERAL

Series: Super-G  
 Subseries: Super-G Slim 65  
 Brand: Prolicht  
 Division: Architectural  
 Mounting Type: Recessed  
 Mounting Location: Ceiling  
 Subcategory: Profile

#### PHYSICAL

Shape: Rectangle  
 Length (mm): 2000  
 Length (in): 78 3/4  
 Width (mm): 81  
 Width (in): 3 3/16  
 Height (mm): 81  
 Height (in): 3 3/16  
 Ceiling Thickness (mm): 10 / 12.5 / 15 / 25 / 30  
 Ceiling Thickness (in): 3/8 or 1/2 or 9/16 or 1 or 1 3/16  
 Min. Recessing Depth (mm): 120  
 Min. Recessing Depth (in): 4 3/4  
 Light Distribution: Direct  
 Weight (kg): 5.723  
 Weight (lbs): 12.62  
 Diffuser: PMMA - Opal or Micro-Prism  
 Fixture Finish: SSR / BKV / CWI / CRY / HAB / UFT / ITA / RUA / FTG / MYG / LOD / PUS / FRO / FUP / KIA / POP / BLS / SPG / MEY / GOH / GUM / CHC / COM / ABZ / JAG / OBR / MOS / ROR  
 Fixture Material: Extruded Aluminum  
 Cut-out Measurements: 2000mm / 78 3/4" x 72mm / 2 13/16"

#### ELECTRICAL

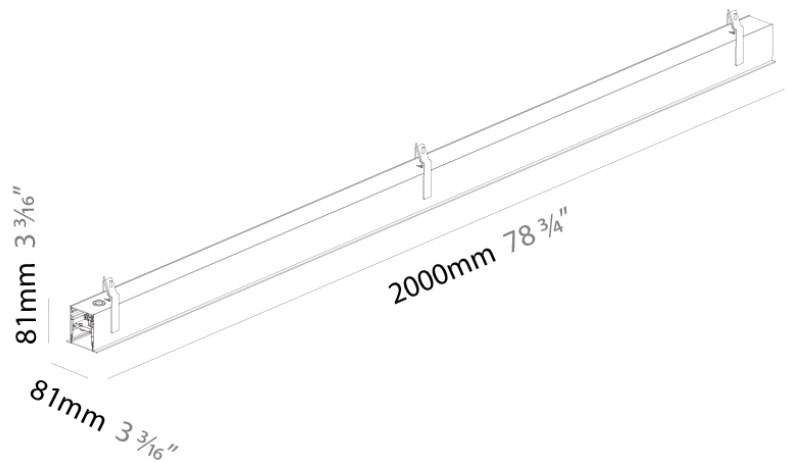
Input Wattage Range: 30 - 49 W  
 Lamp Type: LED (Zhaga Standard)  
 Input Wattage (W): 46.2  
 Total Output Wattage (W): 42  
 Dimming: Tri-Mode (Non-Dimming and Phase Dimming (120Vac only) and 0-10V Dimming)  
 Driver Included: Yes  
 Driver Location: Integrated  
 Driver Type: Constant Current - Universal  
 Driver Class: Class 2  
 Input Voltage (V): 120 - 277  
 Constant Current (MA): 350

#### LED

Delivered Lumen Range: 3000 - 4999 lm  
 Color Temperature (°K): 3000 / 3500 / 4000  
 Max. Delivered Lumen (lm): 5150 / 5253 / 5360  
 Nominal Lumen (lm): 6720 / 6860 / 7000  
 CRI: >90 CRI  
 Efficiency (%): 0.884  
 Lamp Life (hrs): 50000

#### RATINGS AND CERTIFICATIONS

Certified By: Certified for North American Standards  
 IP rating: IP20  
 Zaneen Group Inc. © 2024, T 1800-388-3382, F 416-247-9319, www.zaneen.com



2010mm x 72mm  
79 1/8" x 2 13/16"



120mm  
4 3/4"



10 - 30mm  
3/8" - 1 3/16"



## A3SGS65-REC-SYS COMPONENTS RECESSED

### A35160-

#### DESCRIPTION

Super-G Slim 800/45° - Recessed - 6.6W LED (Zhaga Standard) - 3000K / 3500K / 4000K

#### GENERAL

Series: Super-G

Subseries: Super-G Slim 65

Brand: Prolicht

Division: Architectural

Mounting Type: Recessed

Mounting Location: Ceiling

Subcategory: Profile

#### PHYSICAL

Shape: Curves

Length (mm): 313

Length (in): 12 5/16

Width (mm): 81

Width (in): 3 3/16

Height (mm): 81

Height (in): 3 3/16

Ceiling Thickness (mm): 10 / 12.5 / 15 / 25 / 30

Ceiling Thickness (in): 3/8 or 1/2 or 9/16 or 1 or 1 3/16

Min. Recessing Depth (mm): 120

Min. Recessing Depth (in): 12 5/16

Light Distribution: Direct

Weight (kg): 1.057

Weight (lbs): 2.33

Diffuser: PMMA - Opal or Micro-Prism

Fixture Finish: SSR / BKV / CWI / CRY / HAB / UFT / ITA / RUA / FTG / MYG / LOD / PUS / FRO / FUP / KIA / POP / BLS / SPG / MEY / GOH / GUM / CHC / COM / ABZ / JAG / OBR / MOS / ROR

Fixture Material: Extruded Aluminum

Cut-out Measurements: 807mm / 31 3/4" / 603mm / 23 3/4"

#### ELECTRICAL

Input Wattage Range: 1 - 9 W

Lamp Type: LED (Zhaga Standard)

Input Wattage (W): 6.6

Total Output Wattage (W): 6

Dimming: Tri-Mode (Non-Dimming and Phase Dimming (120Vac only) and 0-10V Dimming)

Driver Included: Yes

Driver Location: Integrated

Driver Type: Constant Current - Universal

Driver Class: Class 2

Input Voltage (V): 120 - 277

Constant Current (mA): 350

#### LED

Delivered Lumen Range: 500 - 1999 lm

Color Temperature (°K): 3000 / 3500 / 4000

Max. Delivered Lumen (lm): 740 / 755 / 700

Nominal Lumen (lm): 960 / 980 / 1000

CRI: >90 CRI

Efficiency (%): 0.884

Lamp Life (hrs): 50000

#### RATINGS AND CERTIFICATIONS

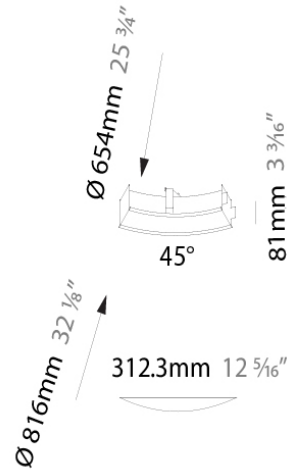
Certified By: Certified for North American Standards

IP rating: IP20

Zaneen Group Inc. © 2024, T 1800-388-3382, F 416-247-9319, www.zaneen.com

Available for International specifications by adding 'INT' at the end of the existing Model #. For assistance on 'custom' specifications, contact zteam@zaneen.com.

In a constant effort to supply the best product, we reserve the right to change specifications or materials without notice. The most recent specification sheets are found at zaneen.com



45°  
807mm x 663mm  
31 3/4" x 26 1/8"



120mm  
4 3/4"



10 - 30mm  
3/8" - 1 3/16"



## A3SGS65-REC-SYS COMPONENTS RECESSED

### A35162-

#### DESCRIPTION

Super-G Slim 800/90° - Recessed - 13.2W LED (Zhaga Standard) - 3000K / 3500K / 4000K

#### GENERAL

Series: Super-G  
 Subseries: Super-G Slim 65  
 Brand: Prolicht  
 Division: Architectural  
 Mounting Type: Recessed  
 Mounting Location: Ceiling  
 Subcategory: Profile

#### PHYSICAL

Shape: Curves  
 Length (mm): 577  
 Length (in): 22 11/16  
 Width (mm): 81  
 Width (in): 3 3/16  
 Height (mm): 81  
 Height (in): 3 3/16  
 Ceiling Thickness (mm): 10 / 12.5 / 15 / 25 / 30  
 Ceiling Thickness (in): 3/8 or 1/2 or 9/16 or 1 or 1 3/16  
 Min. Recessing Depth (mm): 120  
 Min. Recessing Depth (in): 4 3/4  
 Light Distribution: Direct  
 Weight (kg): 1.926  
 Weight (lbs): 4.25  
 Diffuser: PMMA - Opal or Micro-Prism  
 Fixture Finish: SSR / BKV / CWI / CRY / HAB / UFT / ITA / RUA / FTG / MYG / LOD / PUS / FRO / FUP / KIA / POP / BLS / SPG / MEY / GOH / GUM / CHC / COM / ABZ / JAG / OBR / MOS / ROR  
 Fixture Material: Extruded Aluminum  
 Cut-out Measurements: 807mm / 31 3/4" x 663mm / 26 1/8"

#### ELECTRICAL

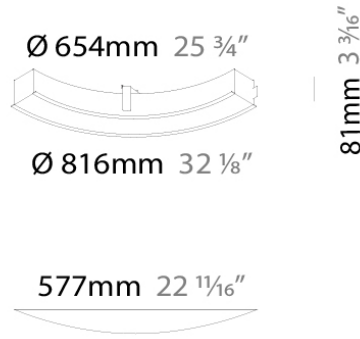
Input Wattage Range: 10 - 19 W  
 Lamp Type: LED (Zhaga Standard)  
 Input Wattage (W): 13.2  
 Total Output Wattage (W): 12  
 Dimming: Tri-Mode (Non-Dimming and Phase Dimming (120Vac only) and 0-10V Dimming)  
 Driver Included: Yes  
 Driver Location: Integrated  
 Driver Type: Constant Current - Universal  
 Driver Class: Class 2  
 Input Voltage (V): 120 - 277  
 Constant Current (mA): 350

#### LED

Delivered Lumen Range: 1000 - 1999 lm  
 Color Temperature (°K): 3000 / 3500 / 4000  
 Max. Delivered Lumen (lm): 1470 / 1499 / 1530  
 Nominal Lumen (lm): 1920 / 1960 / 2000  
 CRI: >90 CRI  
 Efficiency (%): 0.884  
 Lamp Life (hrs): 50000

#### RATINGS AND CERTIFICATIONS

Certified By: Certified for North American Standards  
 IP rating: IP20  
 Zaneen Group Inc. © 2024, T 1800-388-3382, F 416-247-9319, www.zaneen.com



PROJECT	
TYPE	
NOTES	
QUANTITY	
DATE	

## A3SGS65-REC-SYS COMPONENTS RECESSED

### A35164-

#### DESCRIPTION

Super-G Slim 1550/45° - Recessed - 14W LED (Zhaga Standard) - 3000K / 3500K / 4000K

#### GENERAL

Series: Super-G  
 Subseries: Super-G Slim 65  
 Brand: Prolicht  
 Division: Architectural  
 Mounting Type: Recessed  
 Mounting Location: Ceiling  
 Subcategory: Profile

#### PHYSICAL

Shape: Curves  
 Length (mm): 597  
 Length (in): 23 1/2  
 Width (mm): 81  
 Width (in): 3 3/16  
 Height (mm): 81  
 Height (in): 3 3/16  
 Ceiling Thickness (mm): 10 / 12.5 / 15 / 25 / 30  
 Ceiling Thickness (in): 3/8 or 1/2 or 9/16 or 1 or 1 3/16  
 Min. Recessing Depth (mm): 120  
 Min. Recessing Depth (in): 4 3/4  
 Light Distribution: Direct  
 Weight (kg): 1.957  
 Weight (lbs): 4.31  
 Diffuser: PMMA - Opal or Micro-Prism  
 Fixture Finish: SSR / BKV / CWI / CRY / HAB / UFT / ITA / RUA / FTG / MYG / LOD / PUS / FRO / FUP / KIA / POP / BLS / SPG / MEY / GOH / GUM / CHC / COM / ABZ / JAG / OBR / MOS / ROR  
 Fixture Material: Extruded Aluminum  
 Cut-out Measurements: 1557mm / 61 5/16" / 1413mm / 55 5/8"

#### ELECTRICAL

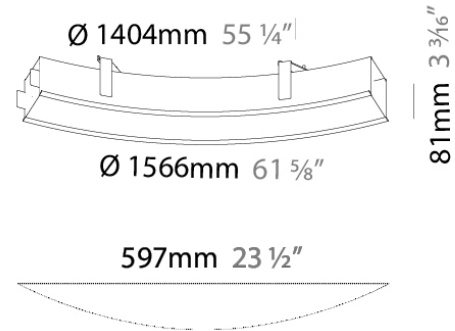
Input Wattage Range: 10 - 19 W  
 Lamp Type: LED (Zhaga Standard)  
 Input Wattage (W): 13.2  
 Total Output Wattage (W): 12  
 Dimming: Tri-Mode (Non-Dimming and Phase Dimming (120Vac only) and 0-10V Dimming)  
 Driver Included: Yes  
 Driver Location: Integrated  
 Driver Type: Constant Current - Universal  
 Driver Class: Class 2  
 Input Voltage (V): 120 - 277  
 Constant Current (mA): 350

#### LED

Delivered Lumen Range: 1000 - 1999 lm  
 Color Temperature (°K): 3000 / 3500 / 4000  
 Max. Delivered Lumen (lm): 1470 / 1499 / 1530  
 Nominal Lumen (lm): 1920 / 1960 / 2000  
 CRI: >90 CRI  
 Efficiency (%): 0.884  
 Lamp Life (hrs): 50000

#### RATINGS AND CERTIFICATIONS

Certified By: Certified for North American Standards  
 IP rating: IP20  
 Zaneen Group Inc. © 2024, T 1800-388-3382, F 416-247-9319, www.zaneen.com



PROJECT	
TYPE	
NOTES	
QUANTITY	
DATE	

## A3SGS65-REC-SYS COMPONENTS RECESSED

### A35166-

#### DESCRIPTION

Super-G Slim 1550/90° - Recessed - 26.4W LED (Zhaga Standard)  
- 3000K / 3500K / 4000K

#### GENERAL

Series: Super-G  
Subseries: Super-G Slim 65  
Brand: Prolicht  
Division: Architectural  
Mounting Type: Recessed  
Mounting Location: Ceiling  
Subcategory: Profile

#### PHYSICAL

Shape: Curves  
Length (mm): 1108  
Length (in): 43 5/8  
Width (mm): 81  
Width (in): 3 3/16  
Height (mm): 81  
Height (in): 3 3/16  
Ceiling Thickness (mm): 10 / 12.5 / 15 / 25 / 30  
Ceiling Thickness (in): 3/8 or 1/2 or 9/16 or 1 or 1 3/16  
Min. Recessing Depth (mm): 120  
Min. Recessing Depth (in): 4 3/4  
Light Distribution: Direct  
Weight (kg): 3.62  
Weight (lbs): 8  
Diffuser: PMMA - Opal or Micro-Prism  
Fixture Finish: SSR / BKV / CWI / CRY / HAB / UFT / ITA / RUA / FTG / MYG / LOD / PUS / FRO / FUP / KIA / POP / BLS / SPG / MEY / GOH / GUM / CHC / COM / ABZ / JAG / OBR / MOS / ROR  
Fixture Material: Extruded Aluminum  
Cut-out Measurements: 1557mm / 61 5/16" / 1413mm / 55 5/8"

#### ELECTRICAL

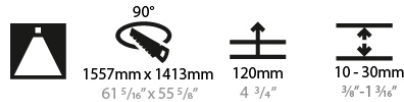
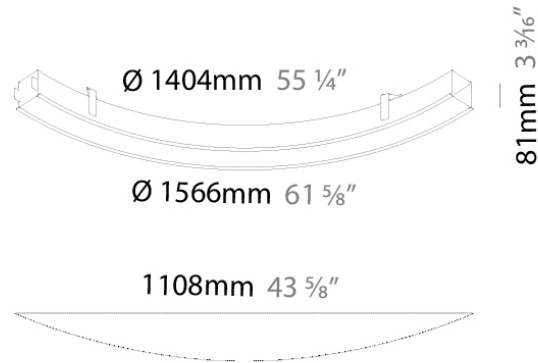
Input Wattage Range: 20 - 29 W  
Lamp Type: LED (Zhaga Standard)  
Input Wattage (W): 26.4  
Total Output Wattage (W): 24  
Dimming: Tri-Mode (Non-Dimming and Phase Dimming (120Vac only) and 0-10V Dimming)  
Driver Included: Yes  
Driver Location: Integrated  
Driver Type: Constant Current - Universal  
Driver Class: Class 2  
Input Voltage (V): 120 - 277  
Constant Current (mA): 350

#### LED

Delivered Lumen Range: 2000 - 3999 lm  
Color Temperature (°K): 3000 / 3500 / 4000  
Max. Delivered Lumen (lm): 2940 / 2999 / 3060  
Nominal Lumen (lm): 3840 / 3920 / 4000  
CRI: >90 CRI  
Efficiency (%): 0.884  
Lamp Life (hrs): 50000

#### RATINGS AND CERTIFICATIONS

Certified By: Certified for North American Standards  
IP rating: IP20  
Zaneen Group Inc. © 2024, T 1800-388-3382, F 416-247-9319, www.zaneen.com



PROJECT	
TYPE	
NOTES	
QUANTITY	
DATE	

## A3SGS65-REC-SYS COMPONENTS RECESSED

### A35168-

#### DESCRIPTION

Super-G Slim 3000/45° - Recessed - 26.4W LED (Zhaga Standard)  
- 3000K / 3500K / 4000K

#### GENERAL

Series: Super-G  
Subseries: Super-G Slim 65  
Brand: Prolicht  
Division: Architectural  
Mounting Type: Recessed  
Mounting Location: Ceiling  
Subcategory: Profile

#### PHYSICAL

Shape: Curves  
Length (mm): 1154  
Length (in): 45 7/16  
Width (mm): 81  
Width (in): 3 3/16  
Height (mm): 81  
Height (in): 3 3/16  
Ceiling Thickness (mm): 10 / 12.5 / 15 / 25 / 30  
Min. Recessing Depth (mm): 120  
Min. Recessing Depth (in): 4 3/4  
Light Distribution: Direct  
Weight (kg): 3.58  
Weight (lbs): 7.89  
Diffuser: PMMA - Opal or Micro-Prism  
Fixture Finish: SSR / BKV / CWI / CRY / HAB / UFT / ITA / RUA / FTG / MYG / LOD / PUS / FRO / FUP / KIA / POP / BLS / SPG / MEY / GOH / GUM / CHC / COM / ABZ / JAG / OBR / MOS / ROR  
Fixture Material: Extruded Aluminum  
Cut-out Measurements: 3007mm / 118 3/8" / 2863mm / 112 11/16"

#### ELECTRICAL

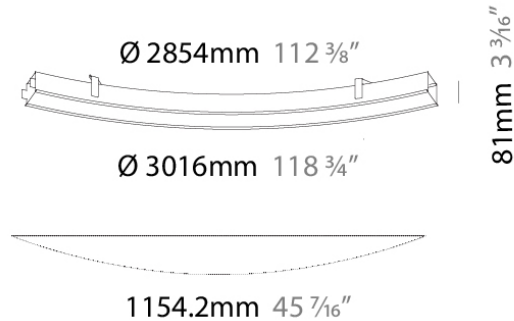
Input Wattage Range: 20 - 29 W  
Lamp Type: LED (Zhaga Standard)  
Input Wattage (W): 26.4  
Total Output Wattage (W): 24  
Dimming: Tri-Mode (Non-Dimming and Phase Dimming (120Vac only) and 0-10V Dimming)  
Driver Included: Yes  
Driver Location: Integrated  
Driver Type: Constant Current - Universal  
Driver Class: Class 2  
Input Voltage (V): 120 - 277  
Constant Current (MA): 350

#### LED

Delivered Lumen Range: 2000 - 3999 lm  
Color Temperature (°K): 3000 / 3500 / 4000  
Max. Delivered Lumen (lm): 2940 / 2999 / 3060  
Nominal Lumen (lm): 3840 / 3920 / 4000  
CRI: >90 CRI  
Efficiency (%): 0.884  
Lamp Life (hrs): 50000

#### RATINGS AND CERTIFICATIONS

Certified By: Certified for North American Standards  
IP rating: IP20



PROJECT	
TYPE	
NOTES	
QUANTITY	
DATE	

## A3SGS65-REC-SYS COMPONENTS RECESSED

### A35170-

#### DESCRIPTION

Super-G Slim 3000/90° - Recessed - 52.8W LED (Zhaga Standard)  
- 3000K / 3500K / 4000K

#### GENERAL

Series: Super-G  
Subseries: Super-G Slim 65  
Brand: Prolicht  
Division: Architectural  
Mounting Type: Recessed  
Mounting Location: Ceiling  
Subcategory: Profile

#### PHYSICAL

Shape: Curves  
Length (mm): 2133  
Length (in): 84  
Width (mm): 81  
Width (in):  $3 \frac{3}{16}$   
Height (mm): 81  
Height (in):  $3 \frac{3}{16}$   
Ceiling Thickness (mm): 10 / 12.5 / 15 / 25 / 30  
Ceiling Thickness (in): 3/8 or 1/2 or 9/16 or 1 or 1 3/16  
Min. Recessing Depth (mm): 120  
Min. Recessing Depth (in):  $4 \frac{3}{4}$   
Light Distribution: Direct  
Weight (kg): 8.54  
Weight (lbs): 18.83  
Diffuser: PMMA - Opal or Micro-Prism  
Fixture Finish: SSR / BKV / CWI / CRY / HAB / UFT / ITA / RUA / FTG / MYG / LOD / PUS / FRO / FUP / KIA / POP / BLS / SPG / MEY / GOH / GUM / CHC / COM / ABZ / JAG / OBR / MOS / ROR  
Fixture Material: Extruded Aluminum  
Cut-out Measurements: 3007mm / 118 3/8" / 2863mm / 112 11/16"

#### ELECTRICAL

Input Wattage Range: 50 - 79 W  
Lamp Type: LED (Zhaga Standard)  
Input Wattage (W): 52.8  
Total Output Wattage (W): 48  
Dimming: Tri-Mode (Non-Dimming and Phase Dimming (120Vac only) and 0-10V Dimming)  
Driver Included: Yes  
Driver Location: Integrated  
Driver Type: Constant Current - Universal  
Driver Class: Class 2  
Input Voltage (V): 120 - 277  
Constant Current (MA): 350

#### LED

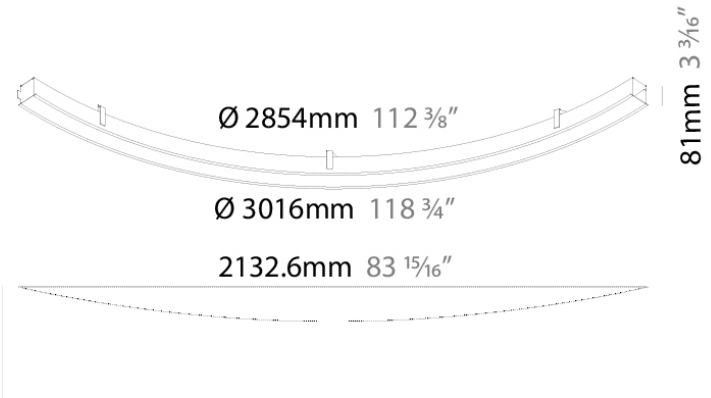
Delivered Lumen Range: 5000 - 9999 lm  
Color Temperature (°K): 3000 / 3500 / 4000  
Max. Delivered Lumen (lm): 5880 / 6007 / 6130  
Nominal Lumen (lm): 7680 / 7840 / 8000  
CRI: >90 CRI  
Efficiency (%): 0.884  
Lamp Life (hrs): 50000

#### RATINGS AND CERTIFICATIONS

Certified By: Certified for North American Standards  
IP rating: IP20

Zaneen Group Inc. © 2024, T 1800-388-3382, F 416-247-9319, www.zaneen.com

Available for International specifications by adding 'INT' at the end of the existing Model #. For assistance on 'custom' specifications, contact zteam@zaneen.com.  
In a constant effort to supply the best product, we reserve the right to change specifications or materials without notice. The most recent specification sheets are found at zaneen.com





PROJECT	
TYPE	
NOTES	
QUANTITY	
DATE	

## A3SGS65-REC-SYS COMPONENTS RECESSED

### A35172-

#### DESCRIPTION

Super-G Slim 5200/45° - Recessed - 46.2W LED (Zhaga Standard)  
- 3000K / 3500K / 4000K

#### GENERAL

Series: Super-G  
Subseries: Super-G Slim 65  
Brand: Prolicht  
Division: Architectural  
Mounting Type: Recessed  
Mounting Location: Ceiling  
Subcategory: Profile

#### PHYSICAL

Shape: Curves  
Length (mm): 1997  
Length (in): 78 3/8  
Width (mm): 81  
Width (in): 3 3/16  
Height (mm): 81  
Height (in): 3 3/16  
Ceiling Thickness (mm): 10 / 12.5 / 15 / 25 / 30  
Ceiling Thickness (in): 3/8 or 1/2 or 9/16 or 1 or 1 3/16  
Min. Recessing Depth (mm): 120  
Min. Recessing Depth (in): 4 3/4  
Light Distribution: Direct  
Weight (kg): 5.988  
Weight (lbs): 13.2  
Diffuser: PMMA - Opal or Micro-Prism  
Fixture Finish: SSR / BKV / CWI / CRY / HAB / UFT / ITA / RUA / FTG / MYG / LOD / PUS / FRO / FUP / KIA / POP / BLS / SPG / MEY / GOH / GUM / CHC / COM / ABZ / JAG / OBR / MOS / ROR  
Fixture Material: Extruded Aluminum  
Cut-out Measurements: 5507mm / 205" / 5063mm / 199 5/16"

#### ELECTRICAL

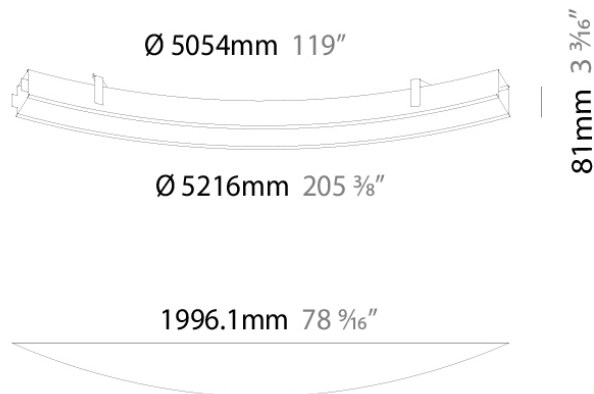
Input Wattage Range: 30 - 49 W  
Lamp Type: LED (Zhaga Standard)  
Input Wattage (W): 46.2  
Total Output Wattage (W): 42  
Dimming: Tri-Mode (Non-Dimming and Phase Dimming (120Vac only) and 0-10V Dimming)  
Driver Included: Yes  
Driver Location: Integrated  
Driver Type: Constant Current - Universal  
Driver Class: Class 2  
Input Voltage (V): 120 - 277  
Constant Current (MA): 350

#### LED

Color Temperature (°K): 3000 / 3500 / 4000  
Max. Delivered Lumen (lm): 5150 / 5253 / 5360  
Nominal Lumen (lm): 6720 / 6860 / 7000  
CRI: >90 CRI  
Efficiency (%): 0.884  
Lamp Life (hrs): 50000

#### RATINGS AND CERTIFICATIONS

Certified By: Certified for North American Standards  
IP rating: IP20



## A3SGS65-REC-SYS COMPONENTS

### A35174-

#### DESCRIPTION

Super-G Slim - Recessed - End Cap -

#### GENERAL

Series: Super-G  
 Subseries: Super-G Slim 65  
 Brand: Prolicht  
 Division: Architectural

#### PHYSICAL

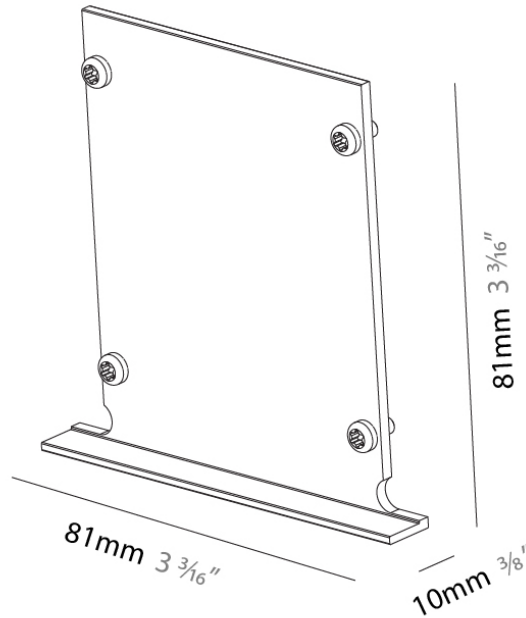
Shape: Rectangle  
 Length (mm): 81  
 Length (in): 3 <sup>3</sup>/<sub>16</sub>  
 Width (mm): 10  
 Width (in): 3/8  
 Height (mm): 81  
 Height (in): 3 <sup>3</sup>/<sub>16</sub>  
 Weight (kg): 0.033  
 Weight (lbs): 0.07  
 Fixture Finish: SSR / BKV / CWI / CRY / HAB / UFT / ITA / RUA / FTG / MYG / LOD / PUS / FRO / FUP / KIA / POP / BLS / SPG / MEY / GOH / GUM / CHC / COM / ABZ / JAG / OBR / MOS / ROR  
 Fixture Material: Extruded Aluminum

#### ELECTRICAL

Lamp Type: LED (Zhaga Standard)

#### RATINGS AND CERTIFICATIONS

Certified By: Certified for North American Standards  
 IP rating: IP20



PROJECT	
TYPE	
NOTES	
QUANTITY	
DATE	

## A3SGS65-REC-SYS COMPONENTS RECESSED

### A35610-

#### DESCRIPTION

Super-G Slim - Recessed - 1420mm / 55 7/8" - 33W LED (Zhaga Standard) - 3000K / 3500K / 4000K

#### GENERAL

Series: Super-G  
 Subseries: Super-G Slim 65  
 Brand: Prolicht  
 Division: Architectural  
 Mounting Type: Recessed  
 Mounting Location: Ceiling  
 Subcategory: Profile

#### PHYSICAL

Shape: Rectangle  
 Length (mm): 1420  
 Length (in): 55 7/8  
 Width (mm): 81  
 Width (in): 3 3/16  
 Height (mm): 81  
 Height (in): 3 3/16  
 Min. Recessing Depth (mm): 120  
 Min. Recessing Depth (in): 4 3/4  
 Light Distribution: Direct  
 Weight (kg): 4.158  
 Weight (lbs): 9.2  
 Diffuser: PMMA - Opal or Micro-Prism  
 Fixture Finish: SSR / BKV / CWI / CRY / HAB / UFT / ITA / RUA / FTG / MYG / LOD / PUS / FRO / FUP / KIA / POP / BLS / SPG / MEY / GOH / GUM / CHC / COM / ABZ / JAG / OBR / MOS / ROR  
 Fixture Material: Extruded Aluminum  
 Cut-out Measurements: 1420mm / 55 7/8" x 72mm / 2 13/16"

#### ELECTRICAL

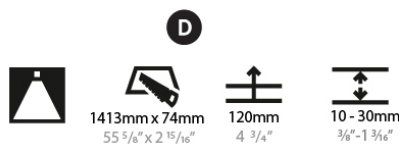
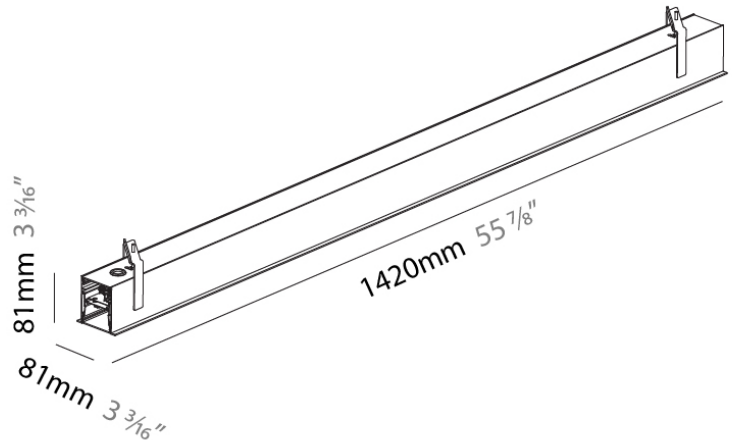
Input Wattage Range: 30 - 49 W  
 Lamp Type: LED (Zhaga Standard)  
 Input Wattage (W): 33  
 Total Output Wattage (W): 30  
 Dimming: Tri-Mode (Non-Dimming and Phase Dimming (120Vac only) and 0-10V Dimming)  
 Driver Included: Yes  
 Driver Location: Integrated  
 Driver Type: Constant Current - Universal  
 Driver Class: Class 2  
 Input Voltage (V): 120 - 277  
 Constant Current (MA): 350

#### LED

Delivered Lumen Range: 3000 - 4999 lm  
 Color Temperature (°K): 3000 / 3500 / 4000  
 Max. Delivered Lumen (lm): 3680 / 3753 / 3830  
 Nominal Lumen (lm): 4800 / 4900 / 5000  
 CRI: >90 CRI  
 Lamp Life (hrs): 50000

#### RATINGS AND CERTIFICATIONS

Certified By: Certified for North American Standards  
 IP rating: IP20



## A3SGS65-REC-SYS COMPONENTS RECESSED

### A35611-

#### DESCRIPTION

Super-G Slim - Recessed - 1720mm / 67 11/16" - 39.6W LED  
(Zhaga Standard) - 3000K / 3500K / 4000K

#### GENERAL

Series: Super-G

Subseries: Super-G Slim 65

Brand: Prolicht

Division: Architectural

Mounting Type: Recessed

Mounting Location: Ceiling

Subcategory: Profile

#### PHYSICAL

Shape: Rectangle

Length (mm): 1720

Length (in): 67 11/16

Width (mm): 81

Width (in): 3 3/16

Height (mm): 81

Height (in): 3 3/16

Ceiling Thickness (mm): 10 / 12.5 / 15 / 25 / 30

Ceiling Thickness (in): 3/8 or 1/2 or 9/16 or 1 or 1 3/16

Min. Recessing Depth (mm): 120

Min. Recessing Depth (in): 4 3/4

Light Distribution: Direct

Weight (kg): 5.029

Weight (lbs): 11.09

Diffuser: PMMA - Opal or Micro-Prism

Fixture Finish: SSR / BKV / CWI / CRY / HAB / UFT / ITA / RUA / FTG / MYG / LOD / PUS / FRO / FUP / KIA / POP / BLS / SPG / MEY / GOH / GUM / CHC / COM / ABZ / JAG / OBR / MOS / ROR

Fixture Material: Extruded Aluminum

Cut-out Measurements: 1720mm / 67 11/16" x 72mm / 2 13/16"

#### ELECTRICAL

Input Wattage Range: 30 - 49 W

Lamp Type: LED (Zhaga Standard)

Input Wattage (W): 39.6

Total Output Wattage (W): 36

Dimming: Tri-Mode (Non-Dimming and Phase Dimming (120Vac only) and 0-10V Dimming)

Driver Included: Yes

Driver Location: Integrated

Driver Type: Constant Current - Universal

Driver Class: Class 2

Input Voltage (V): 120 - 277

Constant Current (mA): 350

#### LED

Delivered Lumen Range: 3000 - 4999 lm

Color Temperature (°K): 3000 / 3500 / 4000

Max. Delivered Lumen (lm): 4410 / 4508 / 4600

Nominal Lumen (lm): 5760 / 5880 / 6000

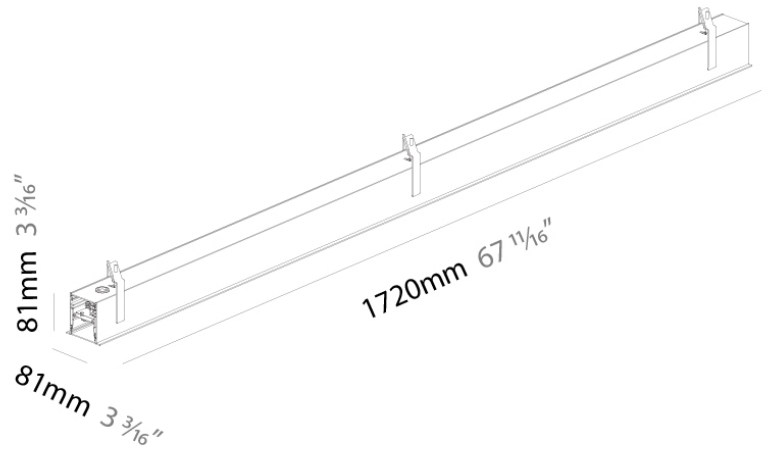
CRI: >90 CRI

Lamp Life (hrs): 50000

#### RATINGS AND CERTIFICATIONS

Certified By: Certified for North American Standards

IP rating: IP20



1713mm x 74mm  
67 7/16" x 2 15/16"



120mm  
4 3/4"



10 - 30mm  
3/8" - 1 3/16"



PROJECT
TYPE
NOTES
QUANTITY
DATE

## A3SGS65-REC-SYS COMPONENTS RECESSED

### A35612-

#### DESCRIPTION

Super-G Slim Recessed - 860mm / 33 7/8" - 19.8W LED (Zhaga Standard) - 3000K / 3500K / 4000K

#### GENERAL

Series: Super-G  
 Subseries: Super-G Slim 65  
 Brand: Prolicht  
 Division: Architectural  
 Mounting Type: Recessed  
 Mounting Location: Ceiling  
 Subcategory: Profile

#### PHYSICAL

Shape: Rectangle  
 Length (mm): 860  
 Length (in): 33 7/8  
 Width (mm): 81  
 Width (in): 3 3/16  
 Height (mm): 81  
 Height (in): 3 3/16  
 Ceiling Thickness (mm): 10 / 12.5 / 15 / 25 / 30  
 Ceiling Thickness (in): 3/8 or 1/2 or 9/16 or 1 or 1 3/16  
 Min. Recessing Depth (mm): 120  
 Min. Recessing Depth (in): 4 3/4  
 Light Distribution: Direct  
 Weight (kg): 2.605  
 Weight (lbs): 5.74  
 Diffuser: PMMA - Opal or Micro-Prism  
 Fixture Finish: SSR / BKV / CWI / CRY / HAB / UFT / ITA / RUA / FTG / MYG / LOD / PUS / FRO / FUP / KIA / POP / BLS / SPG / MEY / GOH / GUM / CHC / COM / ABZ / JAG / OBR / MOS / ROR  
 Fixture Material: Extruded Aluminum  
 Cut-out Measurements: 860mm / 33 7/8" x 72mm / 2 13/16"

#### ELECTRICAL

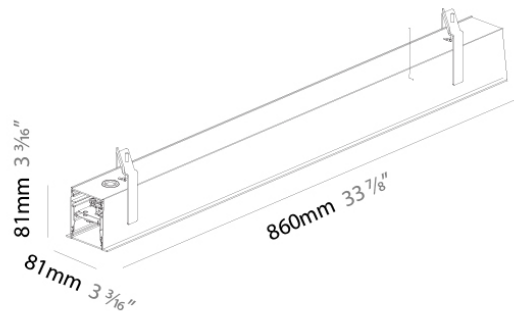
Input Wattage Range: 20 - 29 W  
 Lamp Type: LED (Zhaga Standard)  
 Input Wattage (W): 19.9  
 Total Output Wattage (W): 18  
 Dimming: Tri-Mode (Non-Dimming and Phase Dimming (120Vac only) and 0-10V Dimming)  
 Driver Included: Yes  
 Driver Location: Integrated  
 Driver Type: Constant Current - Universal  
 Driver Class: Class 2  
 Input Voltage (V): 120 - 277  
 Constant Current (mA): 350

#### LED

Delivered Lumen Range: 2000 - 2999 lm  
 Color Temperature (°K): 3000 / 3500 / 4000  
 Max. Delivered Lumen (lm): 2210 / 2254 / 2300  
 Nominal Lumen (lm): 2880 / 2940 / 3000  
 CRI: >90 CRI  
 Lamp Life (hrs): 50000

#### RATINGS AND CERTIFICATIONS

Certified By: Certified for North American Standards  
 IP rating: IP20



853mm x 74mm  
 33 9/16" x 2 15/16"



120mm  
 4 3/4"



10 - 30mm  
 3/8" - 1 3/16"



### LEGEND

	floor-mounted		pivotable		special LED (upon request) RGB, RGBW, tunable, gold+, meat+, art+, fashion+
	wall and ceiling: recessed and surface mounted		rotating		warm dim / natural dimming LED
	ceiling-mounted and wall-mounted		illuminate tilted		rechargeable battery powered
	wall-mounted		color of suspension cable		fixture with natural vivid LED (upon request)
	omni-directional light distribution		length of suspension cable		color rendering index
	direct light distribution		reflector degree selection		color temperature
	direct/indirect light distribution		super spot		lumen (luminous flux)
	indirect light distribution		lens		efficacy (lumens per watt)
	asymmetric light distribution		lens pack		Unified Glare Rating (UGR) range from 5-40
	aura light distribution		shine ring		marine grade (AISI 316 stainless steel)
	round wall or ceiling cut-out		integrated shine ring with diffuser		walk on
	square wall or ceiling cut-out		free individual colors 01-29		drive on
	the supplied jig specifies the cutout dimensions		individual colors: 00 (free of charge), 01-25 (extra charge)		Dark Sky Compliance
	minimum distance (meters) lamp - object		luminaire part to be colored (F1)		Americans with Disabilities Act (less than 4" off the wall located between 27"-84" from floor)
	recessed depth		luminaire part to be colored (F2)		lamp protected against explosion
	ceiling thickness in mm		luminaire part to be colored (F3)		blown glass using traditional methods by master glass blower
	ceiling thickness selection		luminaire part to be colored (F4)		acoustic material
	dimnable DP (phase), DV (0-10V), DD (dali), DS (step-dim)		luminaire part to be colored (F5)		protection class I, protection insulation
	included or excluded LED driver/transformer/control gear		color of 3-circuit adaptor		protection class II, protection insulation
	separately switchable		indirect diffuser		ETL Certified to UL and CSA Standards
	sensor		direct diffuser		UL Certified to UL and CSA Standards
	remote control		ball-proof (upon request)		CSA Certified to UL and CSA Standards
	available upon request		accessory		Certified for North American Standards

### IP RATING

	protected against ingress of solid bodies greater than 12.5mm (finger)
	protected against ingress of solid bodies greater than 2.5mm protected against sprays of water up to 60 degrees from the vertical (rain)
	protected against ingress of solid bodies greater than 1mm (wire) no protection against the ingress of moisture
	protected against ingress of solid bodies greater than 1mm (wire) protected against sprays of water up to 60 degrees from the vertical (rain)
	protected against ingress of solid bodies greater than 1mm (wire) protected against water splashed from all directions
	protected against limited ingress of dust (wet rooms/covered outdoor areas) protected against water splashed from all directions
	protected against ingress of dust protected against jets of water
	protected against ingress of dust protected against powerful jets of water or heavy seas
	protected against ingress of dust protected against immersion of water between 15cm - 1m for 30 minutes
	protected against ingress of dust protected against immersion of water under pressure for long periods

### IK RATING

	protected against 0.14 joules impact (equivalent to 0.25kg mass dropped from 56mm above the surface)
	protected against 0.2 joules impact (equivalent to 0.25kg mass dropped from 80mm above the surface)
	protected against 0.35 joules impact (equivalent to 0.25kg mass dropped from 140mm above the surface)
	protected against 0.5 joules impact (equivalent to 0.25kg mass dropped from 200mm above the surface)
	protected against 0.7 joules impact (equivalent to 0.25kg mass dropped from 280mm above the surface)
	protected against 1 joules impact (equivalent to 0.25kg mass dropped from 400mm above the surface)
	protected against 2 joules impact (equivalent to 0.5kg mass dropped from 400mm above the surface)
	protected against 5 joules impact (equivalent to 1.7kg mass dropped from 300mm above the surface)
	protected against 10 joules impact (equivalent to 5.0kg mass dropped from 200mm above the surface)
	protected against 20 joules impact (equivalent to 5.0kg mass dropped from 400mm above the surface)