

A3T203- COMPONENTS TRACK

STR1110-

DESCRIPTION

Track - End Feed - Right Side

GENERAL

Brand: Prolicht

Division: Architectural

Mounting Type: Track

PHYSICAL

Length (mm): 148

Length (in): 5 ¹³/₁₆

Width (mm): 32

Width (in): 1 ¹/₄

Height (mm): 38

Height (in): 1 ¹/₂

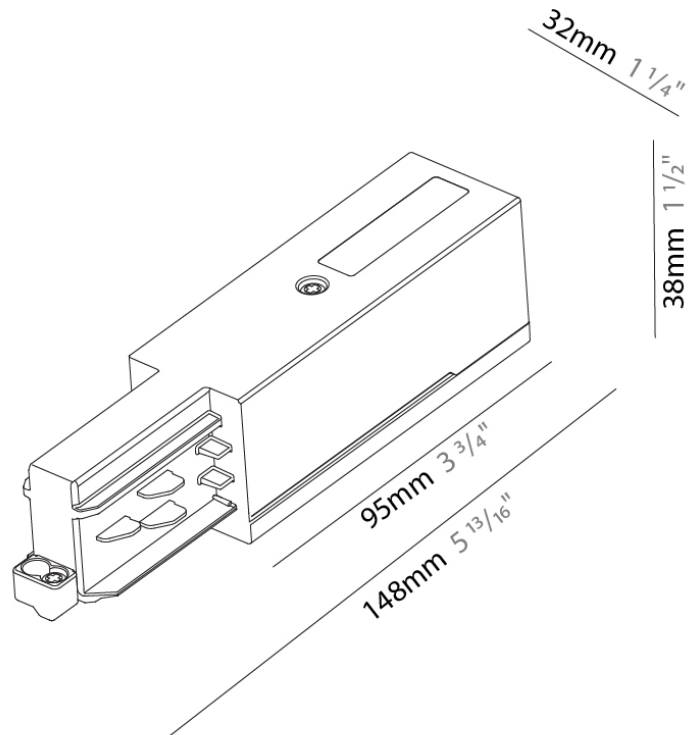
Fixture Finish: WHI / BLK / GRY

Fixture Material: Aluminum

RATINGS AND CERTIFICATIONS

Certified By: Certified for North American Standards

IP rating: IP20



| | |
|----------|--|
| PROJECT | |
| TYPE | |
| NOTES | |
| QUANTITY | |
| DATE | |

A3T203- COMPONENTS TRACK

STR121-

DESCRIPTION

Track - End Feed - Left Side

GENERAL

Brand: Prolicht

Division: Architectural

Mounting Type: Track

PHYSICAL

Length (mm): 148

Length (in): 5 ¹³/₁₆

Width (mm): 32

Width (in): 1 ¹/₄

Height (mm): 38

Height (in): 1 ¹/₂

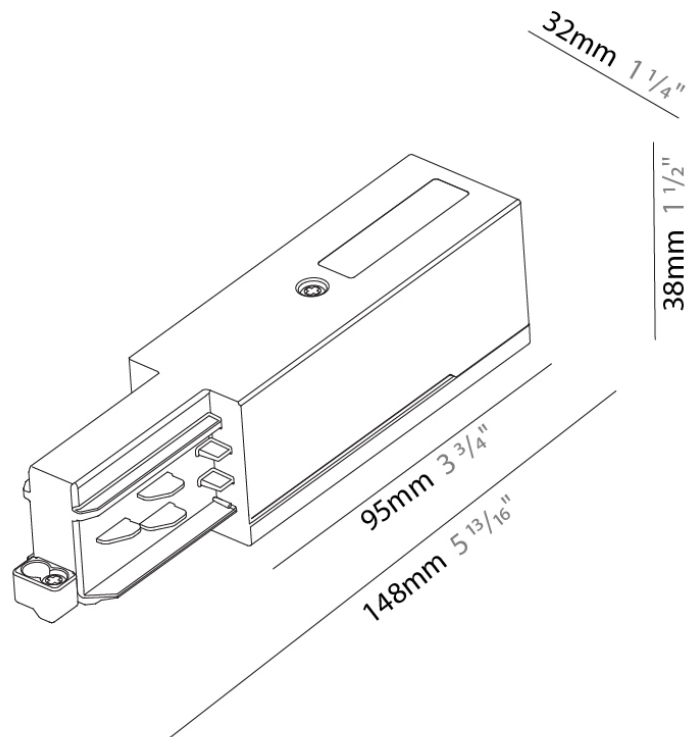
Fixture Finish: WHI / BLK / GRY

Fixture Material: Aluminum

RATINGS AND CERTIFICATIONS

Certified By: Certified for North American Standards

IP rating: IP20



| | |
|----------|-------|
| PROJECT | _____ |
| TYPE | _____ |
| NOTES | _____ |
| QUANTITY | _____ |
| DATE | _____ |

A3T203- COMPONENTS TRACK

STR141-

DESCRIPTION

Track - Central Feed -

GENERAL

Brand: Prolicht

Division: Architectural

Mounting Type: Track

PHYSICAL

Length (mm): 254

Length (in): 10

Width (mm): 32

Width (in): 1 1/4

Height (mm): 38

Height (in): 1 5/16

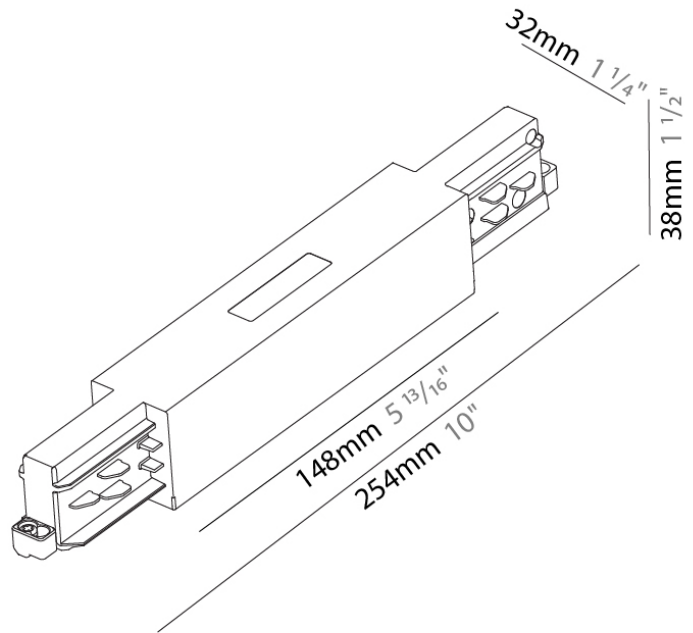
Fixture Finish: WHI / BLK / GRY

Fixture Material: Aluminum

RATINGS AND CERTIFICATIONS

Certified By: Certified for North American Standards

IP rating: IP20



| | |
|----------|-------|
| PROJECT | _____ |
| TYPE | _____ |
| NOTES | _____ |
| QUANTITY | _____ |
| DATE | _____ |

A3T203- COMPONENTS TRACK

STR2100-

DESCRIPTION

Track - Straight Connector -

GENERAL

Brand: Prolicht

Division: Architectural

Mounting Type: Track

PHYSICAL

Length (mm): 115

Length (in): 4 1/2"

Width (mm): 26

Width (in): 1"

Height (mm): 33

Height (in): 1 5/16"

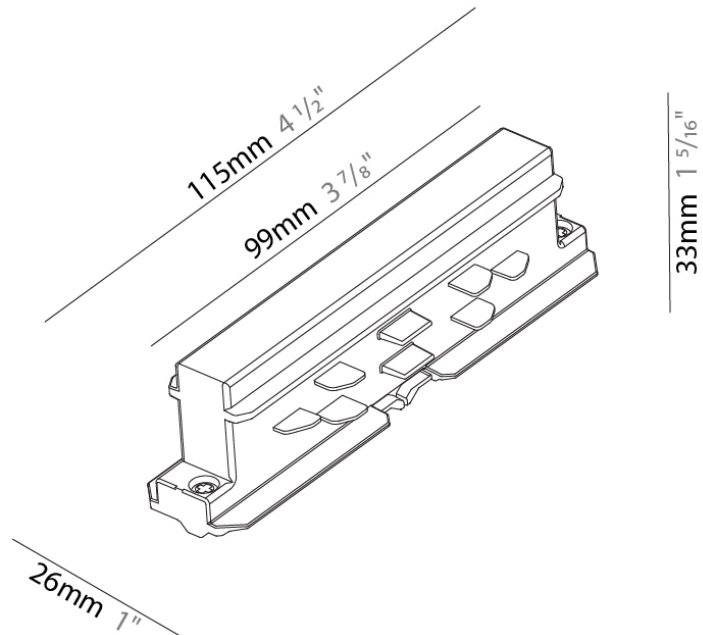
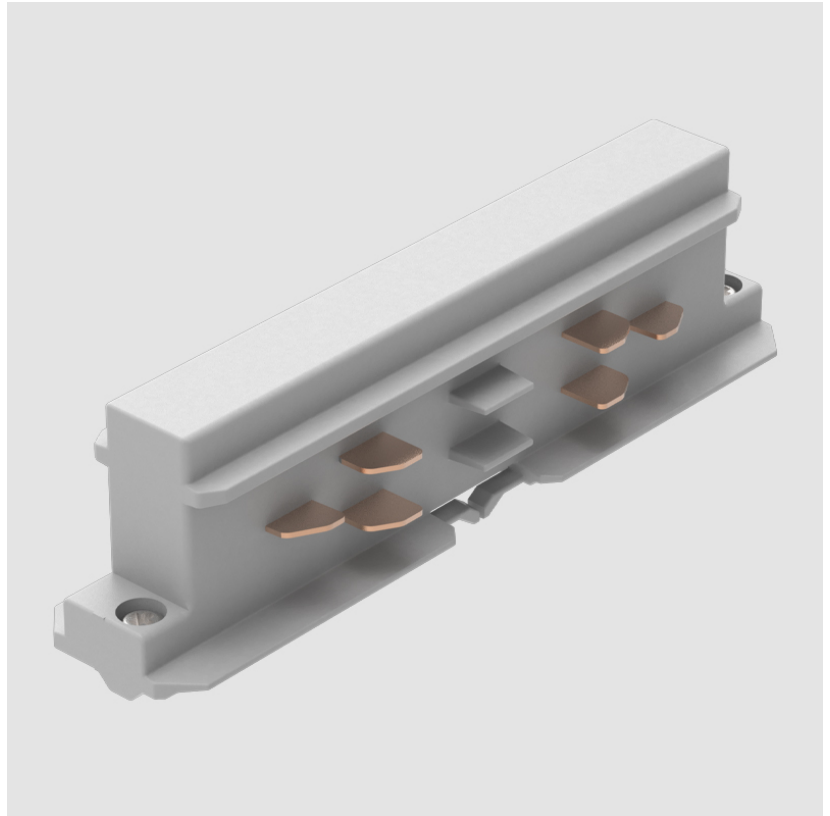
Fixture Finish: WHI / BLK / GRY

Fixture Material: Aluminum

RATINGS AND CERTIFICATIONS

Certified By: Certified for North American Standards

IP rating: IP20



A3T203- COMPONENTS TRACK

| | |
|----------|-------|
| PROJECT | _____ |
| TYPE | _____ |
| NOTES | _____ |
| QUANTITY | _____ |
| DATE | _____ |

STR2300-

DESCRIPTION

Track - Flexible Connector - _____

GENERAL

Brand: Prolicht _____

Division: Architectural _____

Mounting Type: Track _____

PHYSICAL

Length (mm): 370 _____

Length (in): 14 ⁹/₁₆ _____

Width (mm): 32 _____

Width (in): 1 ¹/₄ _____

Height (mm): 38 _____

Height (in): 1 ³/₈ _____

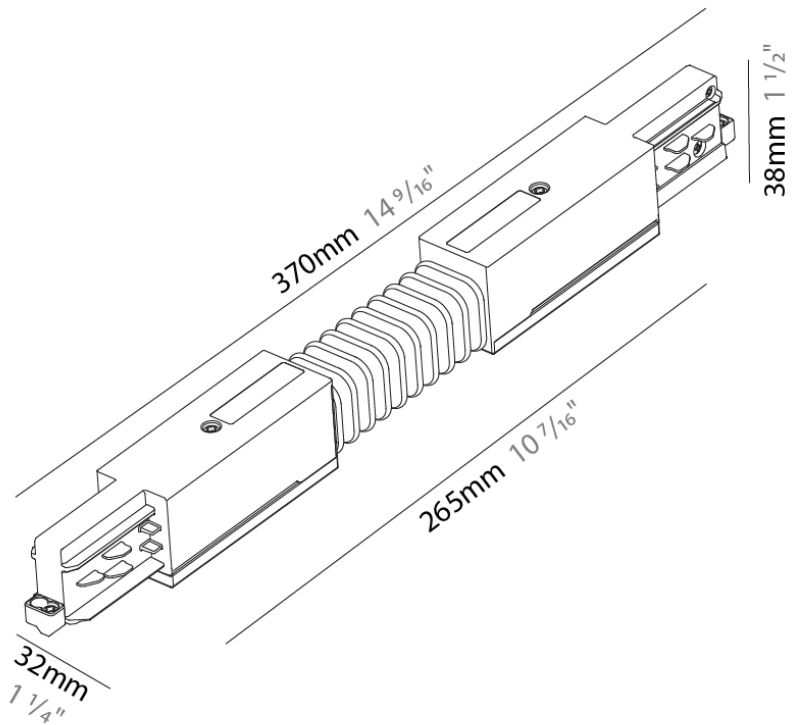
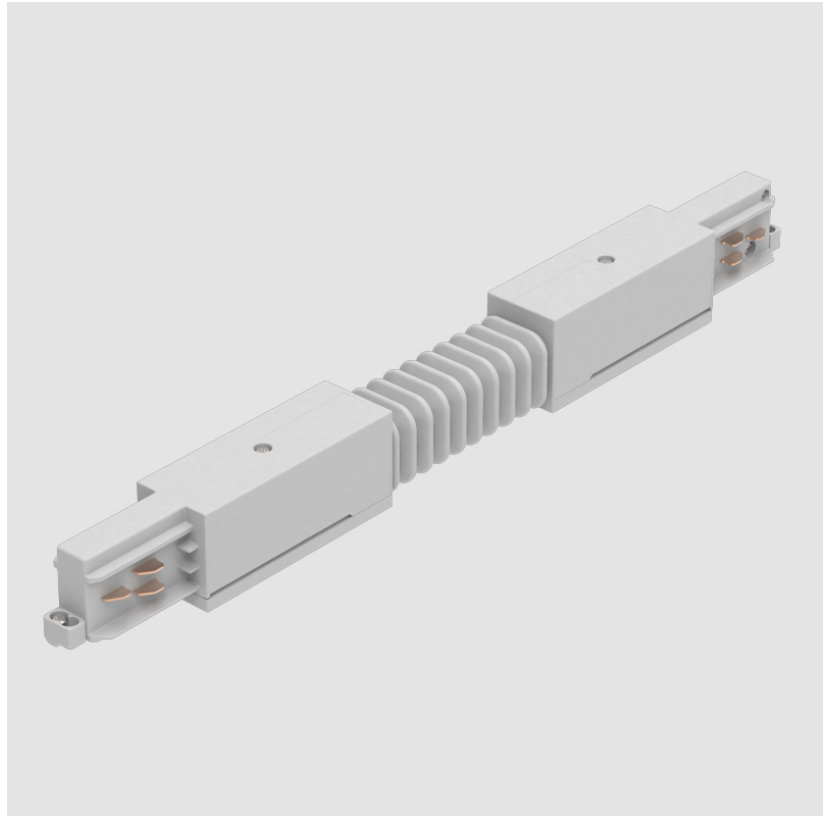
Fixture Finish: WHI / BLK / GRY _____

Fixture Material: Aluminum _____

RATINGS AND CERTIFICATIONS

Certified By: Certified for North American Standards _____

IP rating: IP20 _____



| | |
|----------|--|
| PROJECT | |
| TYPE | |
| NOTES | |
| QUANTITY | |
| DATE | |

A3T203- COMPONENTS TRACK

STR3400-

DESCRIPTION

Track - L-Connector, Outside Corner (Feedable) -

GENERAL

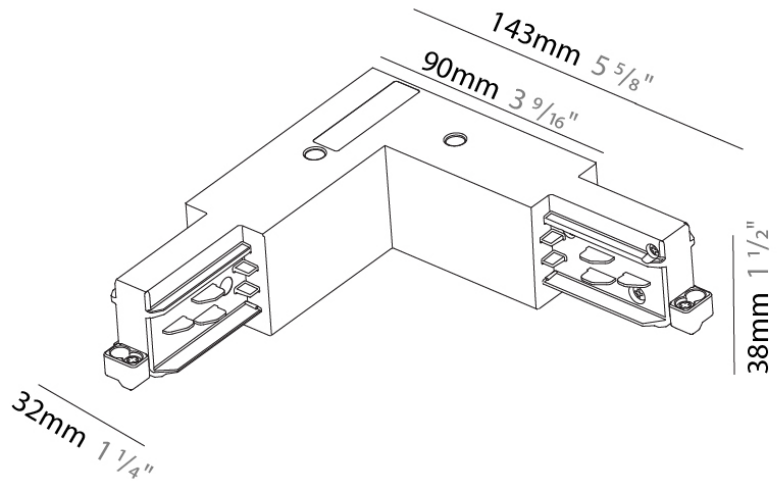
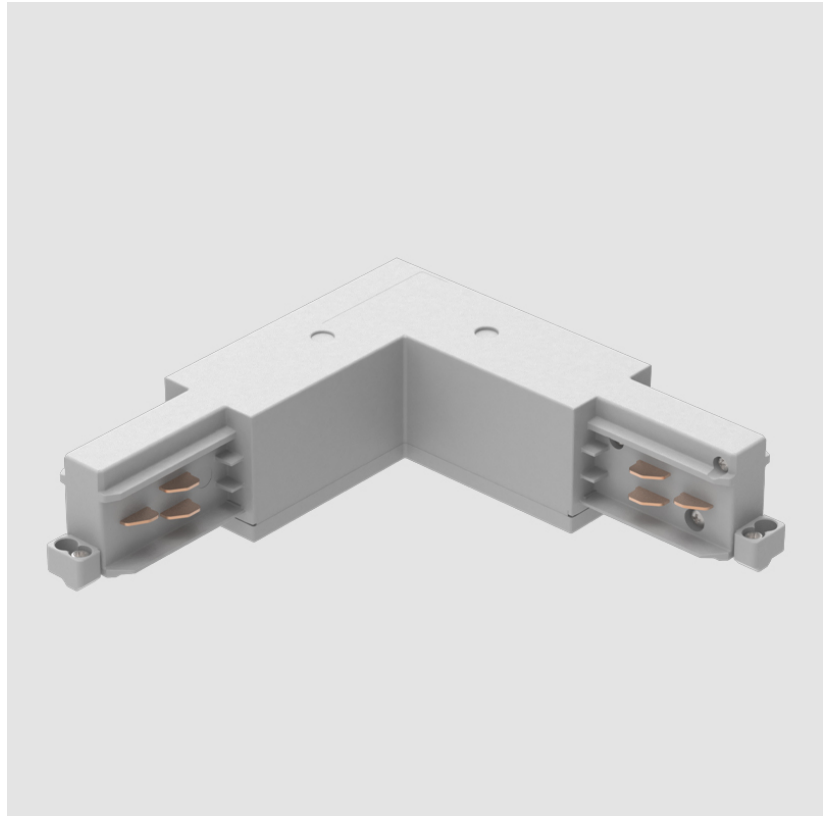
Brand: Prolicht
 Division: Architectural
 Mounting Type: Track

PHYSICAL

Length (mm): 143
 Length (in): 5 ⁵/₈
 Width (mm): 32
 Width (in): 1 ¹/₄
 Height (mm): 38
 Height (in): 1 ¹/₂
 Fixture Finish: WHI / BLK / GRY
 Fixture Material: Aluminum

RATINGS AND CERTIFICATIONS

Certified By: Certified for North American Standards
 IP rating: IP20



A3T203- COMPONENTS TRACK

STR3500-

DESCRIPTION

Track - 3-Circuit L-Connector, Inside Corner (Feedable)

GENERAL

Brand: Prolicht

Division: Architectural

Mounting Type: Track

PHYSICAL

Length (mm): 143

Length (in): 5 ⁵/₈

Width (mm): 32

Width (in): 1 ¹/₄

Height (mm): 38

Height (in): 1 ¹/₂

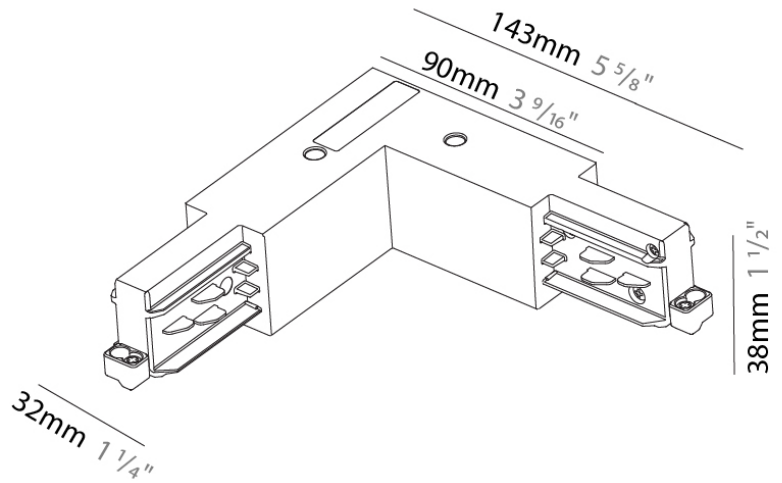
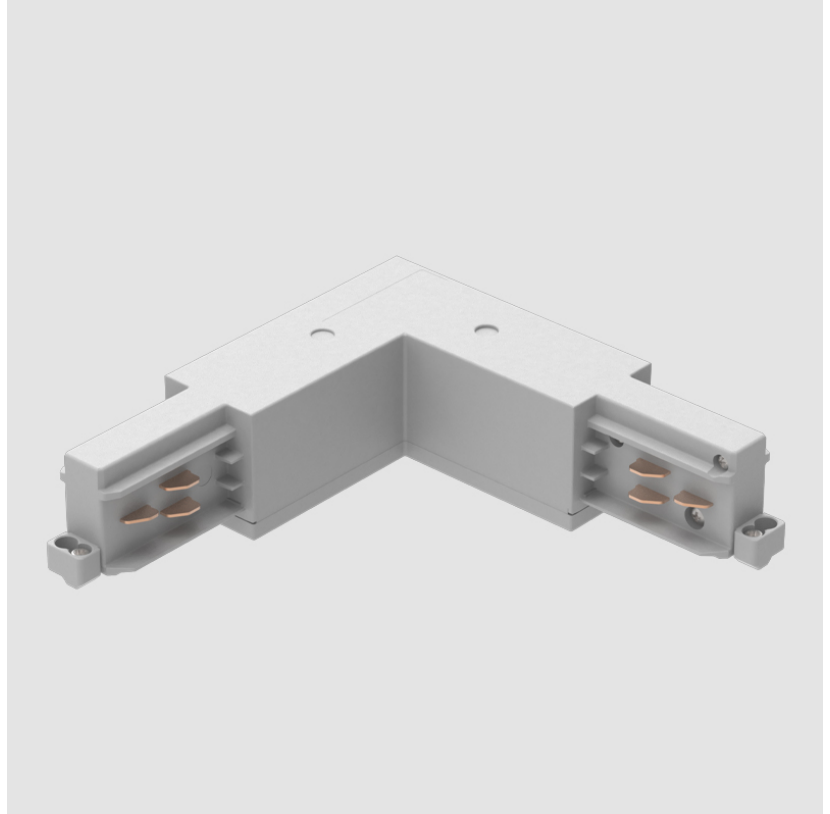
Fixture Finish: WHI / BLK / GRY

Fixture Material: Aluminum

RATINGS AND CERTIFICATIONS

Certified By: Certified for North American Standards

IP rating: IP20



A3T203- COMPONENTS TRACK

STR380-

DESCRIPTION

Track - X-Connector (Feedable) -

GENERAL

Brand: Prolicht

Division: Architectural

Mounting Type: Track

PHYSICAL

Length (mm): 148

Length (in): 5 ¹³/₁₆

Width (mm): 148

Width (in): 5 ¹³/₁₆

Height (mm): 38

Height (in): 1 ¹/₂

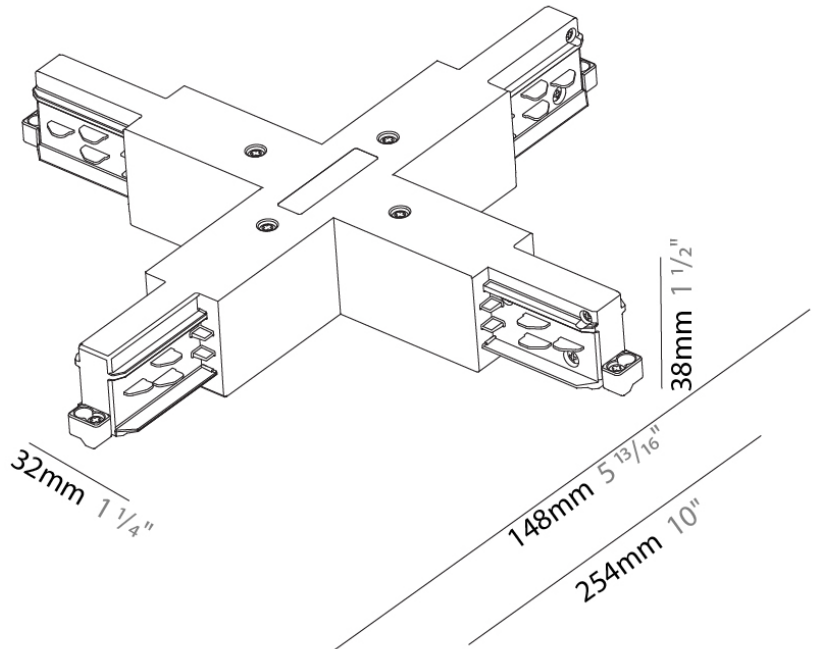
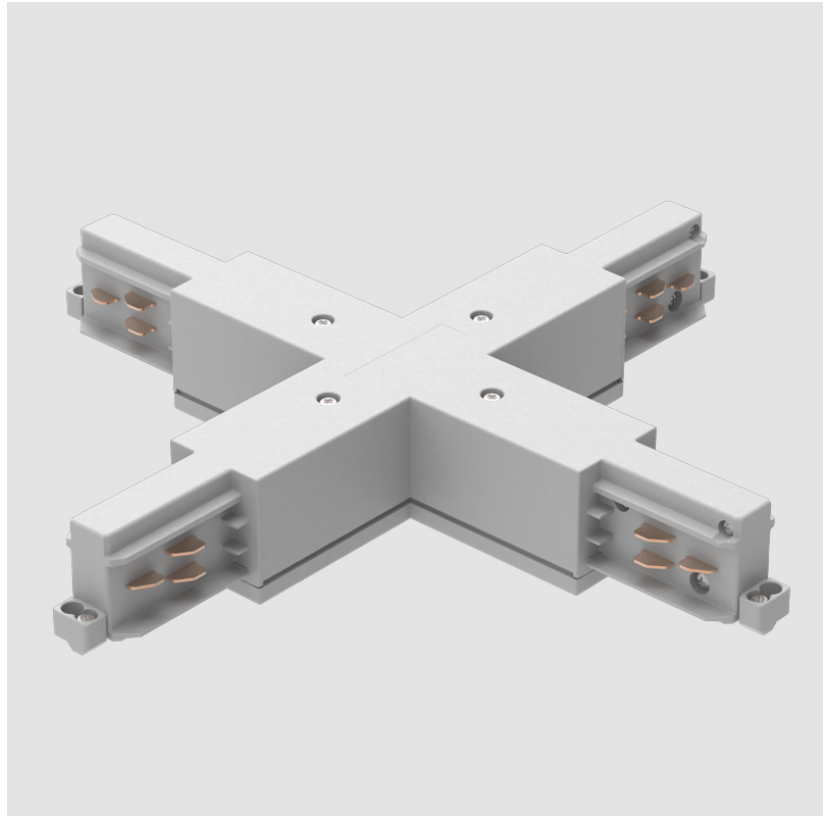
Fixture Finish: WHI / BLK / GRY

Fixture Material: Aluminum

RATINGS AND CERTIFICATIONS

Certified By: Certified for North American Standards

IP rating: IP20



A3T203- COMPONENTS TRACK

STR3900-

DESCRIPTION

Track - T-Connector, Inside (Feedable) -

GENERAL

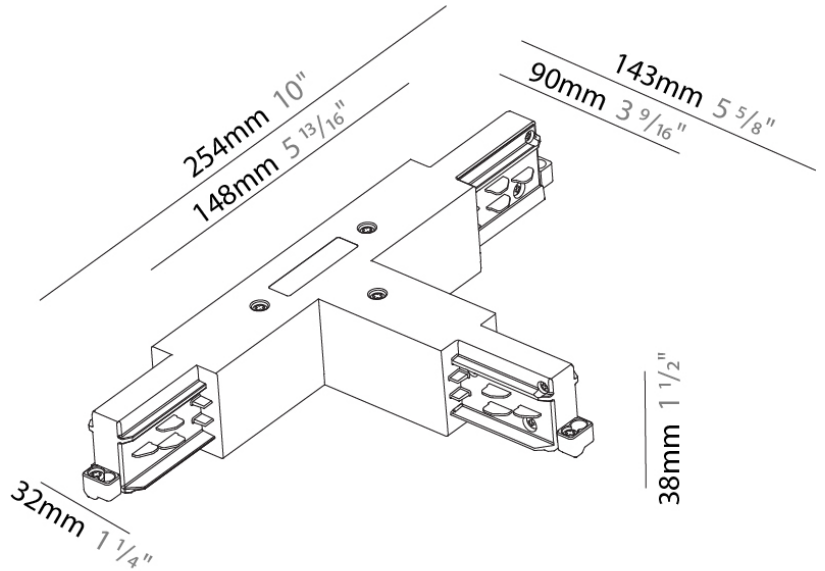
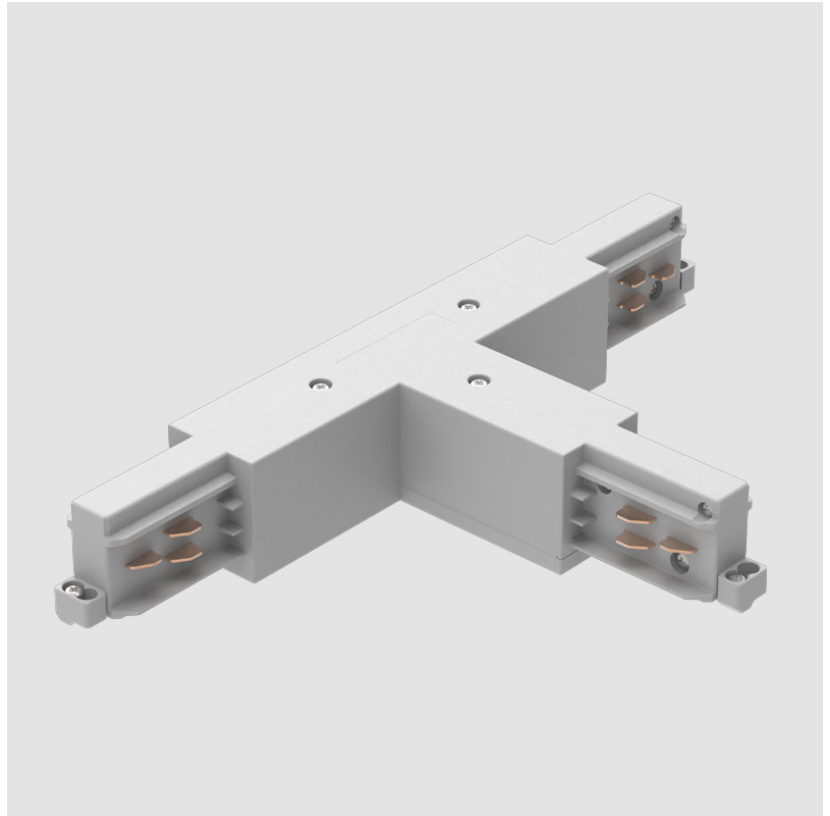
Brand: Prolicht
Division: Architectural
Mounting Type: Track

PHYSICAL

Length (mm): 254
Length (in): 10
Width (mm): 143
Width (in): $5 \frac{13}{16}$
Height (mm): 38
Height (in): $1 \frac{1}{2}$
Fixture Finish: WHI / BLK / GRY
Fixture Material: Aluminum

RATINGS AND CERTIFICATIONS

Certified By: Certified for North American Standards
IP rating: IP20



| | |
|----------|--|
| PROJECT | |
| TYPE | |
| NOTES | |
| QUANTITY | |
| DATE | |

A3T203- COMPONENTS TRACK

STR40001-

DESCRIPTION

Track - T-Connector, Outside (Feedable) -

GENERAL

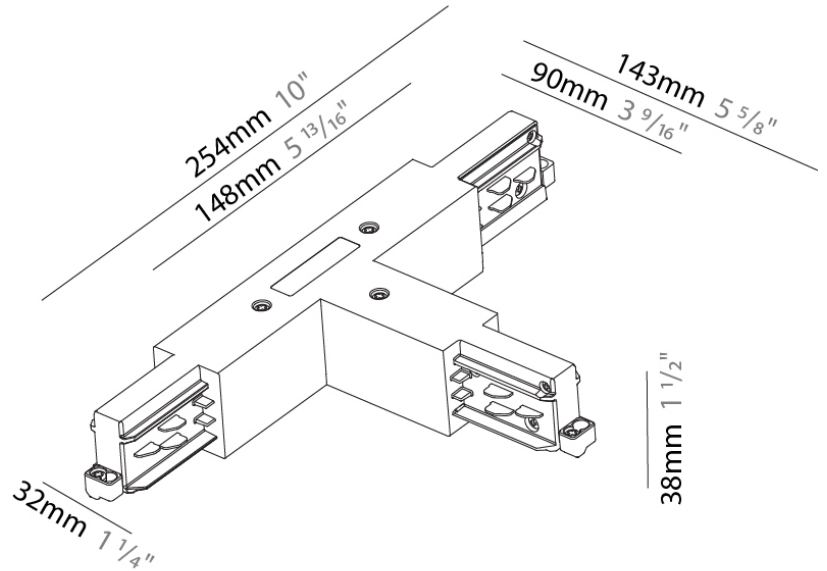
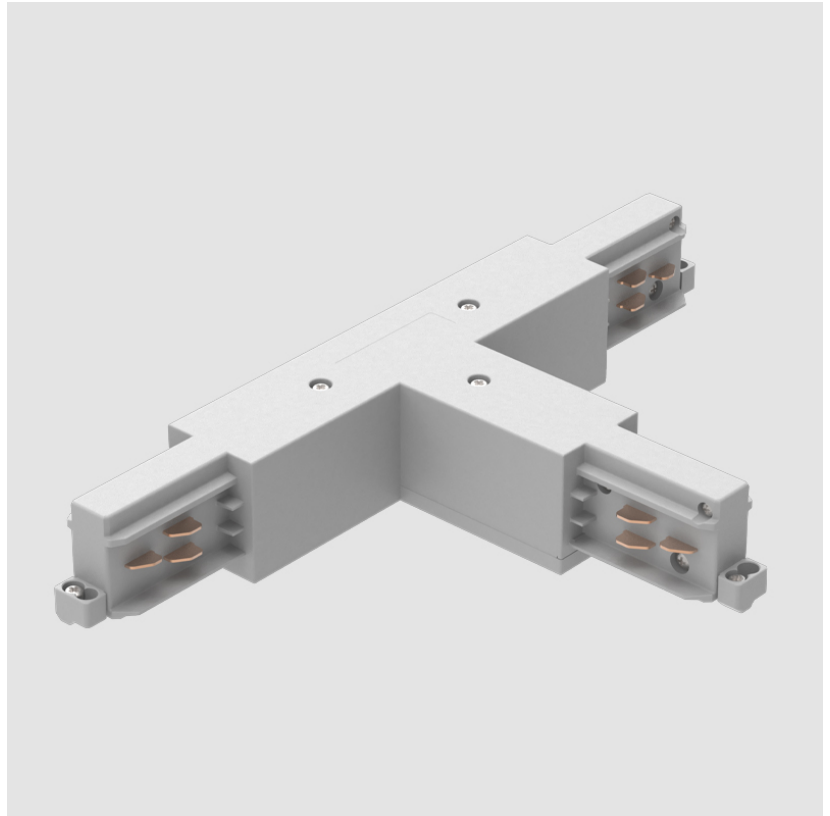
Brand: Prolicht
 Division: Architectural
 Mounting Type: Track

PHYSICAL

Length (mm): 254
 Length (in): 10
 Width (mm): 143
 Width (in): 5 5/8
 Height (mm): 38
 Height (in): 1 1/2
 Fixture Finish: WHI / BLK / GRY
 Fixture Material: Aluminum

RATINGS AND CERTIFICATIONS

Certified By: Certified for North American Standards
 IP rating: IP20



A3T203- COMPONENTS SURFACE

STR4100-

DESCRIPTION

Track - Surface - End Cap -

GENERAL

Brand: Prolicht

Division: Architectural

Mounting Type: Surface

PHYSICAL

Length (mm): 32

Length (in): 1 ¼

Width (mm): 32

Width (in): 1 ¼

Height (mm): 38

Height (in): 1 ½

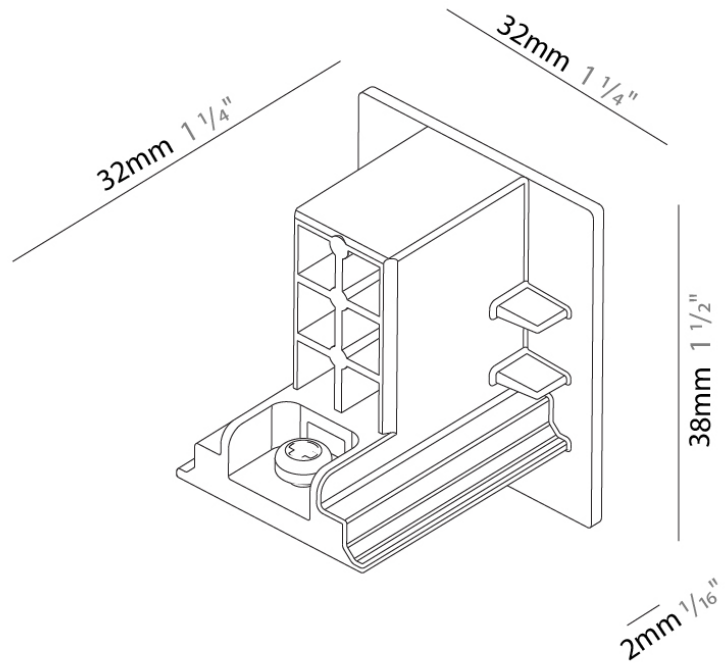
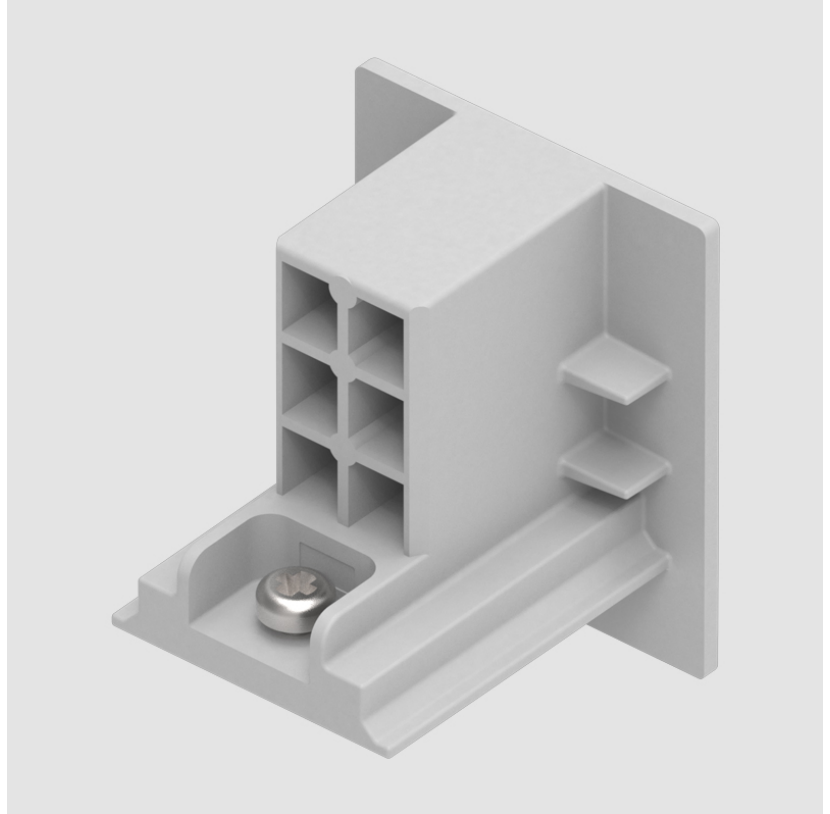
Fixture Finish: WHI / BLK / GRY

Fixture Material: Aluminum

RATINGS AND CERTIFICATIONS

Certified By: Certified for North American Standards

IP rating: IP20



| | |
|----------|--|
| PROJECT | |
| TYPE | |
| NOTES | |
| QUANTITY | |
| DATE | |

A3T203- COMPONENTS TRACK

STR510-

DESCRIPTION

Track - Suspension Cable Kit 3000mm -

GENERAL

Brand: Prolicht

Division: Architectural

Mounting Type: Track

PHYSICAL

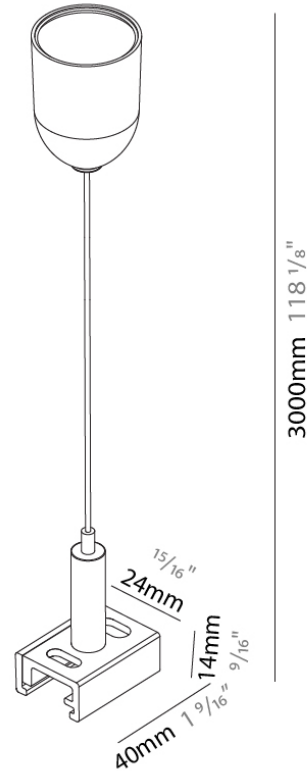
Fixture Finish: WHI / BLK / GRY

Fixture Material: Aluminum

RATINGS AND CERTIFICATIONS

Certified By: Certified for North American Standards

IP rating: IP20



A

| | |
|----------|-------|
| PROJECT | _____ |
| TYPE | _____ |
| NOTES | _____ |
| QUANTITY | _____ |
| DATE | _____ |

A3T203- COMPONENTS TRACK

STR512-

DESCRIPTION

Track - Ceiling Mounting Bracket

GENERAL

Brand: Prolicht

Division: Architectural

Mounting Type: Track

PHYSICAL

Length (mm): 40

Length (in): 1 ⁹/₁₆

Width (mm): 24

Width (in): 15/16

Height (mm): 14

Height (in): 9/16

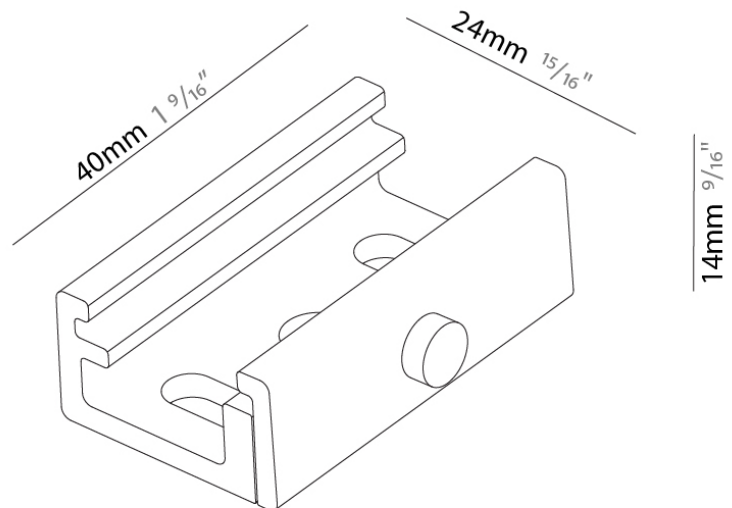
Fixture Finish: WHI / BLK

Fixture Material: Aluminum

RATINGS AND CERTIFICATIONS

Certified By: Certified for North American Standards

IP rating: IP20



A3T203- COMPONENTS TRACK

STR521-

DESCRIPTION

Track - Stem and canopy kit 1000mm

GENERAL

Brand: Prolicht

Division: Architectural

Mounting Type: Track

PHYSICAL

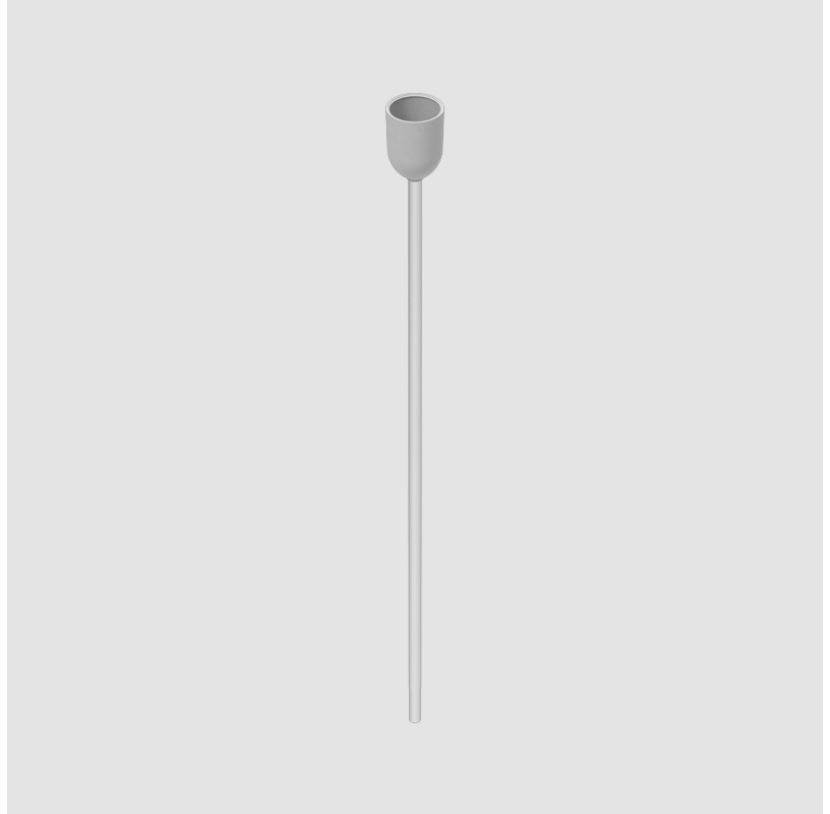
Fixture Finish: WHI / BLK

Fixture Material: Aluminum

RATINGS AND CERTIFICATIONS

Certified By: Certified for North American Standards

IP rating: IP20



A3T203- COMPONENTS TRACK

STR9001R-

DESCRIPTION

Track - Cover End Power Supply

GENERAL

Brand: Prolicht

Division: Architectural

Mounting Type: Track

PHYSICAL

Length (mm): 95

Length (in): 3 ³/₄

Width (mm): 52

Width (in): 2 ¹/₁₆

Height (mm): 34

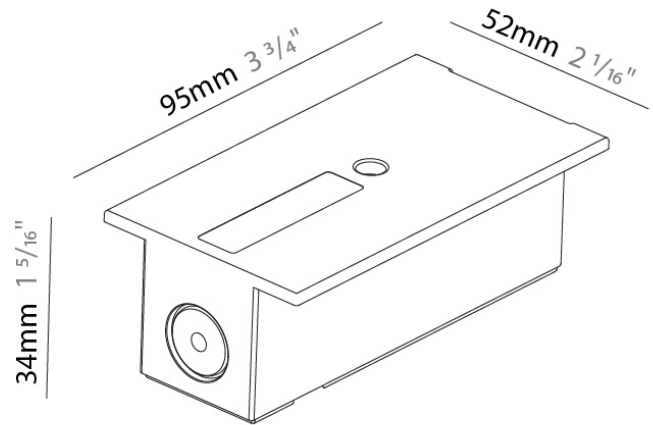
Height (in): 1 ⁵/₁₆

Fixture Finish: WHI / BLK / GRY

Fixture Material: Aluminum

RATINGS AND CERTIFICATIONS

IP rating: IP20



A3T203- COMPONENTS TRACK

STR9010R-

DESCRIPTION

Track - Cover Mid Power Supply

GENERAL

Brand: Prolicht

Division: Architectural

Mounting Type: Track

PHYSICAL

Length (mm): 148

Length (in): 5 ¹³/₁₆

Width (mm): 52

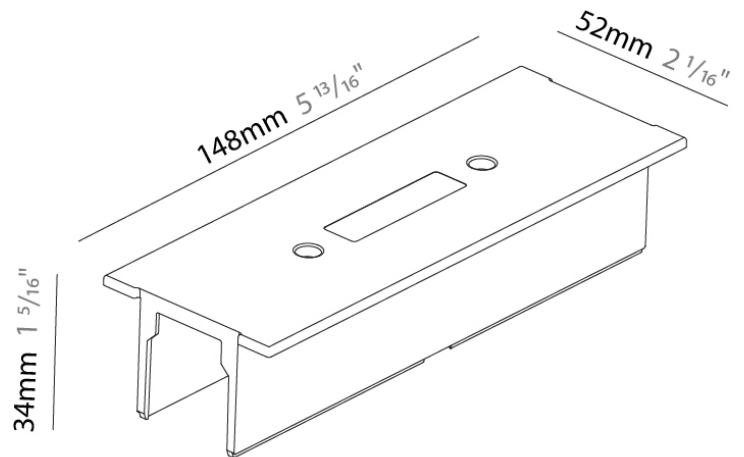
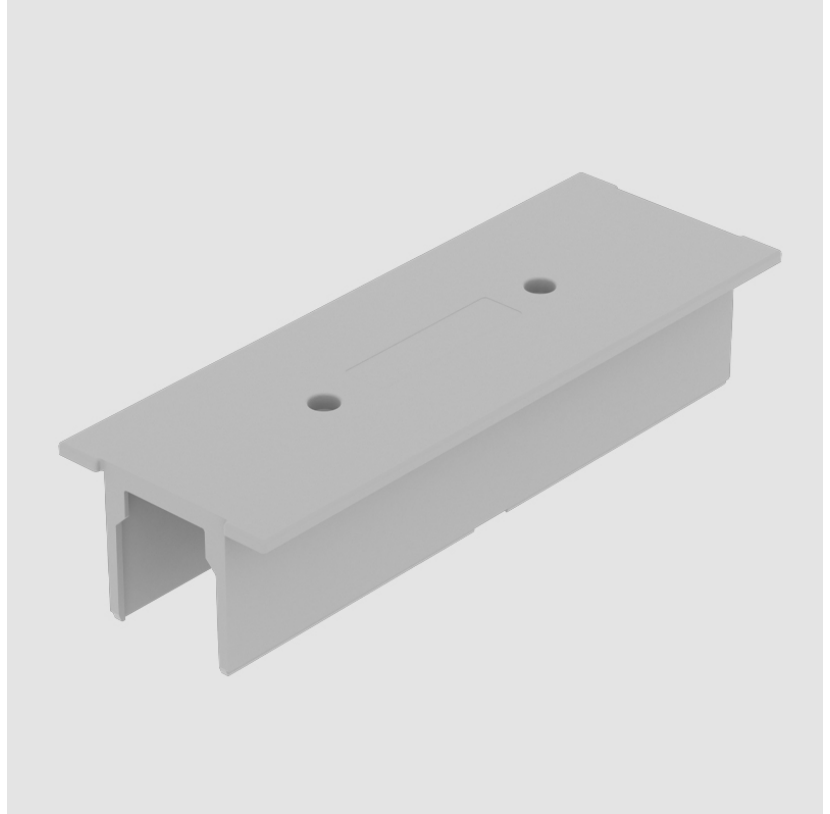
Width (in): 2 ¹/₁₆

Height (mm): 34

Height (in): 1 ⁵/₁₆

Fixture Finish: WHI / BLK / GRY

Fixture Material: Aluminum



A3T203- COMPONENTS TRACK

STR9011R-

DESCRIPTION

Track - Cover Corner Connector

GENERAL

Brand: Prolicht

Division: Architectural

Mounting Type: Track

PHYSICAL

Length (mm): 100

Length (in): 3 ¹⁵/₁₆"

Width (mm): 100

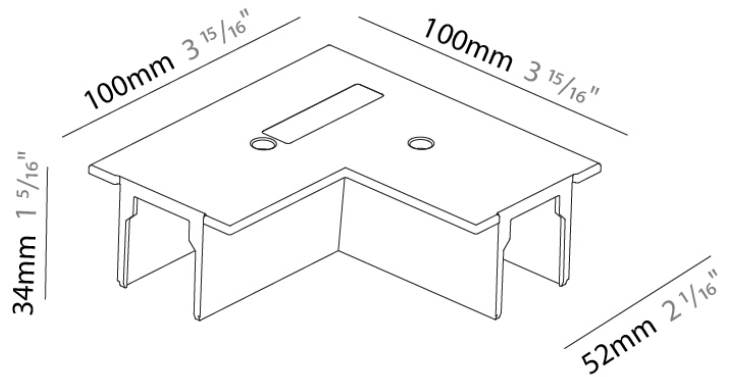
Width (in): 3 ¹⁵/₁₆"

Height (mm): 34

Height (in): 1 ⁵/₁₆"

Fixture Finish: WHI / BLK / GRY

Fixture Material: Aluminum



A3T203- COMPONENTS TRACK

PROJECT _____

TYPE _____

NOTES _____

QUANTITY _____

DATE _____

STR9013R-

DESCRIPTION

Track - Cover T-Connector

GENERAL

Brand: Prolicht

Division: Architectural

Mounting Type: Track

PHYSICAL

Length (mm): 148

Length (in): 5 ¹³/₁₆

Width (mm): 100

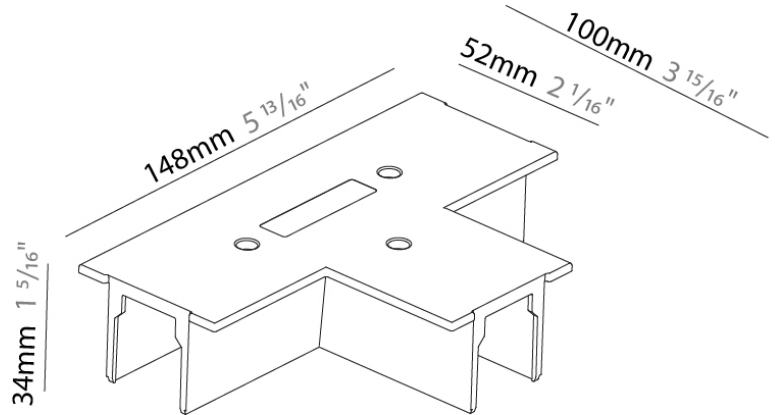
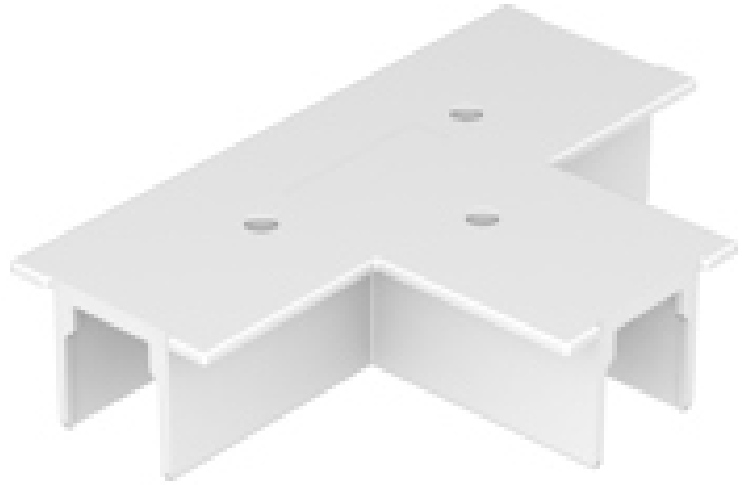
Width (in): 3 ¹⁵/₁₆

Height (mm): 34

Height (in): 1 ⁵/₁₆

Fixture Finish: WHI / BLK / GRY

Fixture Material: Aluminum



A3T203- COMPONENTS TRACK

STR9017R-

DESCRIPTION

Track - Cover Cross Connector

GENERAL

Brand: Prolicht

Division: Architectural

Mounting Type: Track

PHYSICAL

Length (mm): 148

Length (in): $5 \frac{13}{16}$

Width (mm): 148

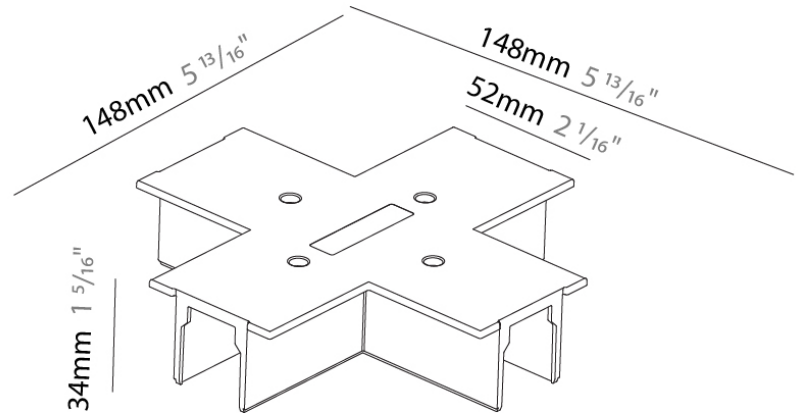
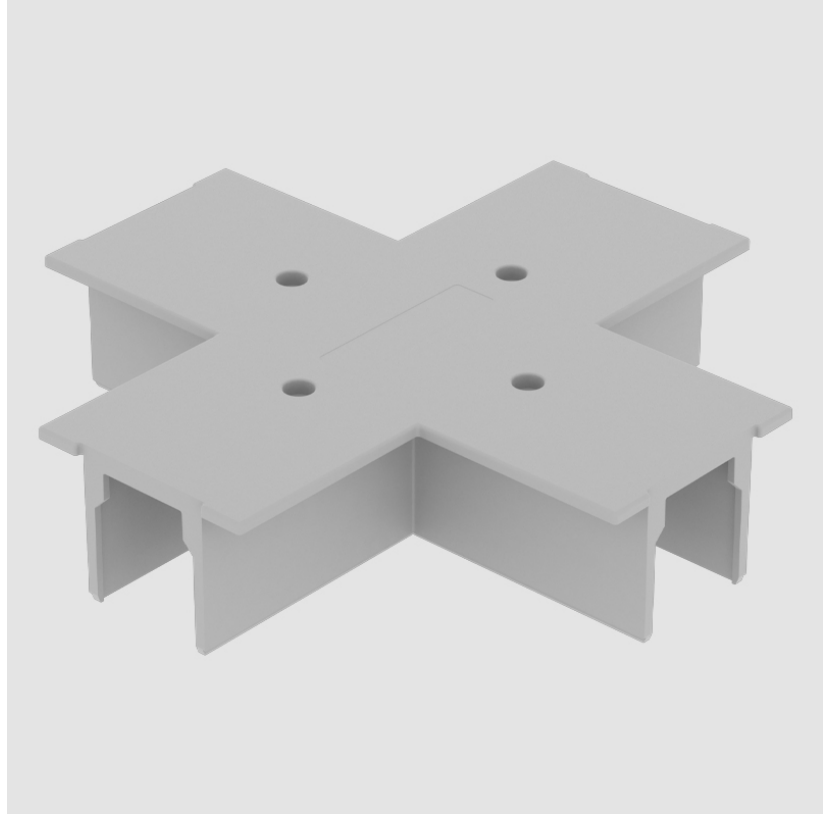
Width (in): $5 \frac{13}{16}$

Height (mm): 34

Height (in): $1 \frac{5}{16}$

Fixture Finish: WHI / BLK / GRY

Fixture Material: Aluminum



| |
|----------|
| PROJECT |
| TYPE |
| NOTES |
| QUANTITY |
| DATE |

A3T203- COMPONENTS SURFACE

STRR4100-

DESCRIPTION

Track - Recessed - End Cap -

GENERAL

Brand: Prolicht

Division: Architectural

Mounting Type: Surface

PHYSICAL

Length (mm): 32

Length (in): 1 1/4

Width (mm): 32

Width (in): 1 1/4

Height (mm): 38

Height (in): 1 1/2

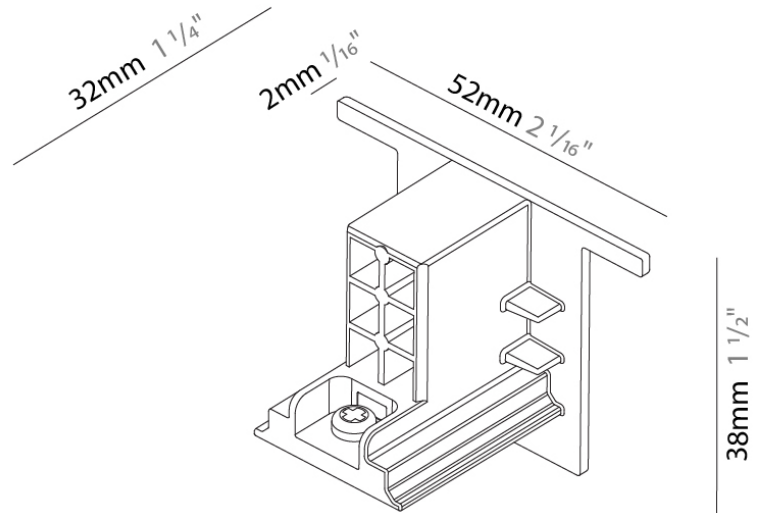
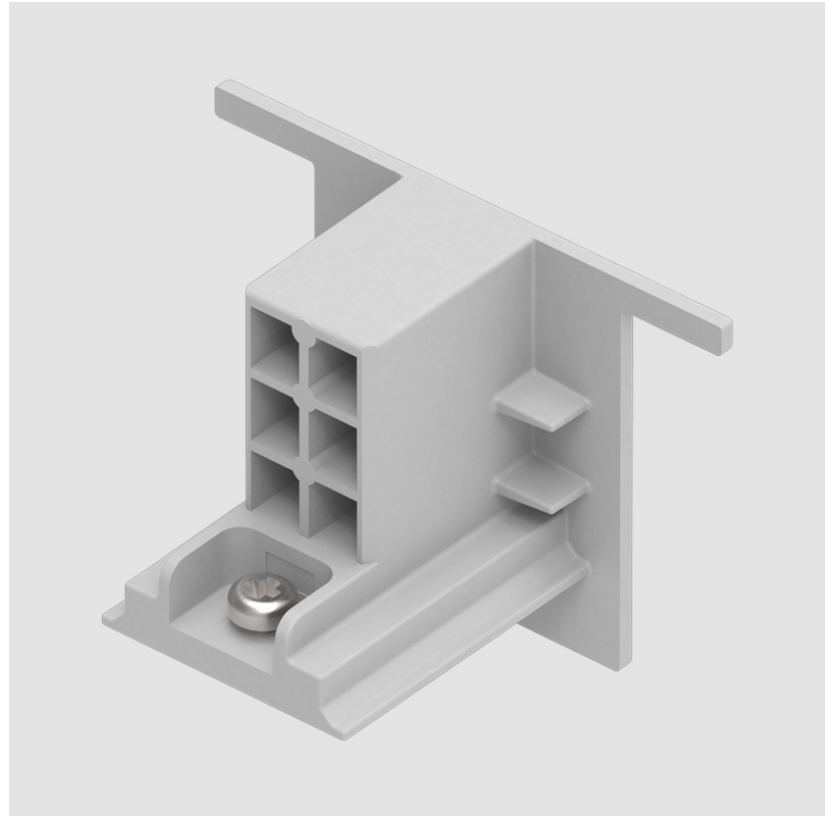
Fixture Finish: WHI / BLK / GRY

Fixture Material: Aluminum

RATINGS AND CERTIFICATIONS

Certified By: Certified for North American Standards

IP rating: IP20



| | |
|----------|--|
| PROJECT | |
| TYPE | |
| NOTES | |
| QUANTITY | |
| DATE | |

A3T203- COMPONENTS TRACK

STRR4400-

DESCRIPTION

Track - 4' Recessed Mount 3-Circuit Track - Gray

GENERAL

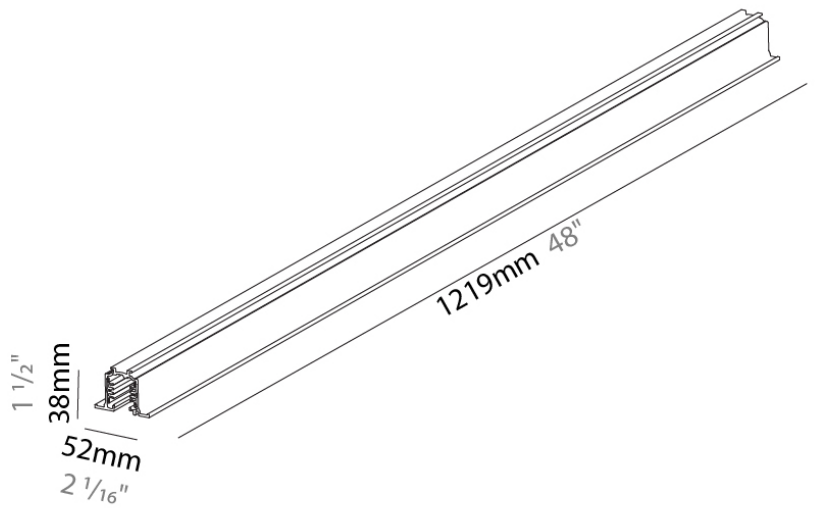
Brand: Prolicht
 Division: Architectural
 Mounting Type: Track

PHYSICAL

Shape: Rectangle
 Length (mm): 1219
 Length (in): 48
 Width (mm): 32
 Width (in): 1 1/4
 Height (mm): 38
 Height (in): 1 1/2
 Fixture Finish: WHI / BLK / GRY
 Fixture Material: Aluminum

RATINGS AND CERTIFICATIONS

Certified By: Certified for North American Standards
 IP rating: IP20



A3T203- COMPONENTS TRACK

STRR4800-

DESCRIPTION

Track - 8' Recessed Mount 3-Circuit Track - Gray

GENERAL

Brand: Prolicht

Division: Architectural

Mounting Type: Track

PHYSICAL

Shape: Rectangle

Length (mm): 2438

Length (in): 96

Width (mm): 32

Width (in): 1 1/4

Height (mm): 38

Height (in): 1 1/2

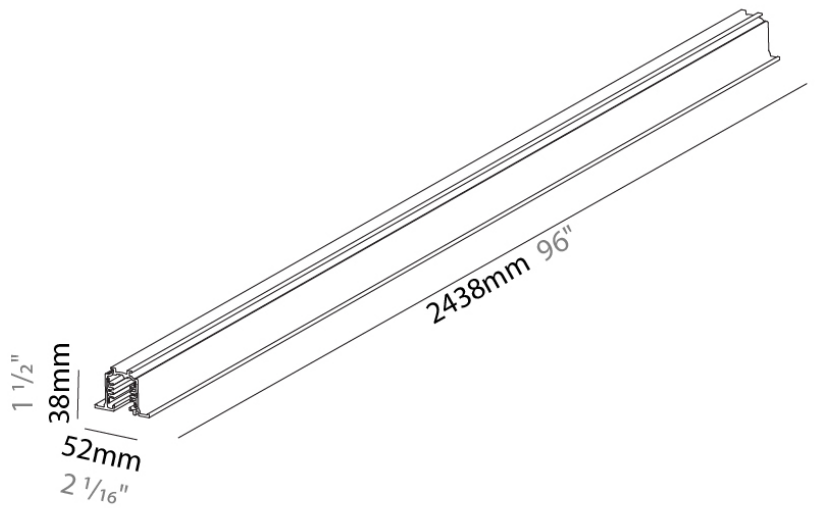
Fixture Finish: WHI / BLK / GRY

Fixture Material: Aluminum

RATINGS AND CERTIFICATIONS

Certified By: Certified for North American Standards

IP rating: IP20



| | |
|----------|--|
| PROJECT | |
| TYPE | |
| NOTES | |
| QUANTITY | |
| DATE | |

A3T203- COMPONENTS TRACK

STRS4400-

DESCRIPTION

Track - 4' Surface Mount 3-Circuit Track

GENERAL

Brand: Prolicht
 Division: Architectural
 Mounting Type: Track

PHYSICAL

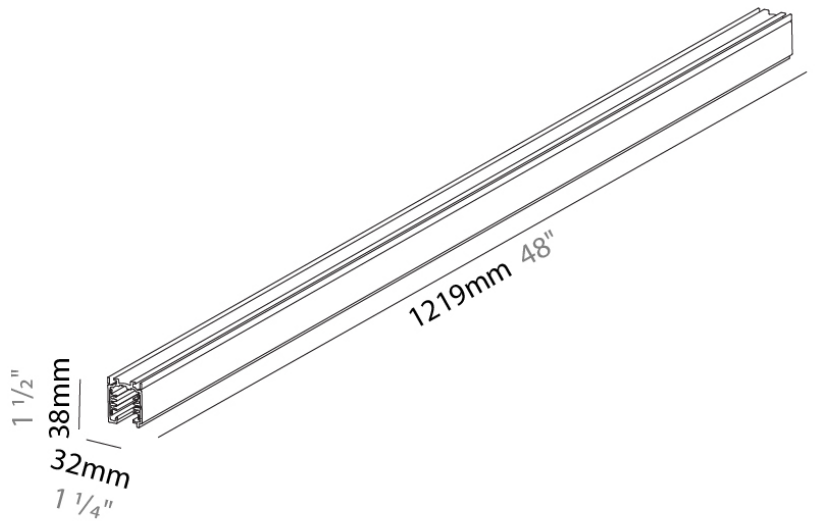
Shape: Rectangle
 Length (mm): 1219
 Length (in): 48
 Width (mm): 32
 Width (in): 1 1/4
 Height (mm): 38
 Height (in): 1 1/2
 Fixture Finish: WHI / BLK / GRY
 Fixture Material: Aluminum

ELECTRICAL

Driver Included: No

RATINGS AND CERTIFICATIONS

Certified By: Certified for North American Standards
 IP rating: IP20



A3T203- COMPONENTS TRACK

STRS4800-

DESCRIPTION

Track - 8' Surface Mount 3-Circuit Track

GENERAL

Brand: Prolicht

Division: Architectural

Mounting Type: Track

PHYSICAL

Shape: Rectangle

Length (mm): 2438

Length (in): 96"

Width (mm): 32

Width (in): 1 1/4"

Height (mm): 38

Height (in): 1 1/2"

Fixture Finish: WHI / BLK / GRY

Fixture Material: Aluminum

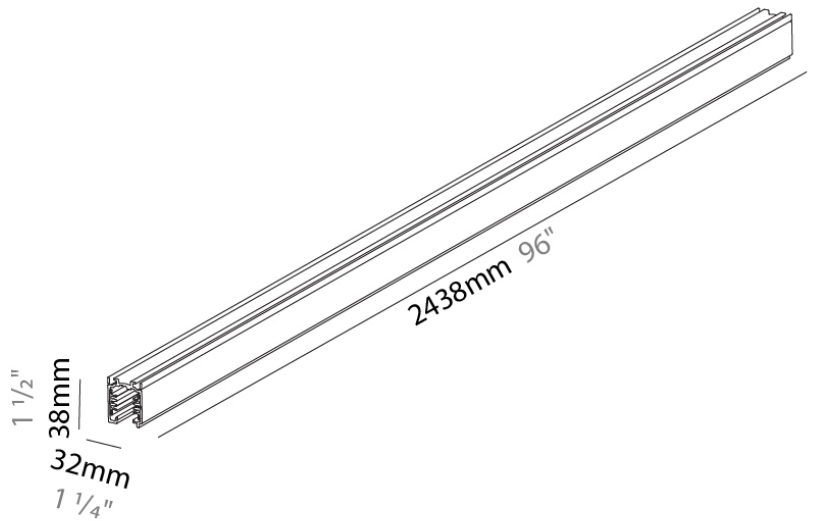
ELECTRICAL

Driver Included: No

RATINGS AND CERTIFICATIONS

Certified By: Certified for North American Standards

IP rating: IP20



A3T203- COMPONENTS TRACK

STRV120

DESCRIPTION

Cutting Tool for Track Conductors

GENERAL

Brand: Prolicht

Division: Architectural

Mounting Type: Track

PHYSICAL

Length (mm): 245

Length (in): 9 ⁵/₈

Height (mm): 58

Height (in): 2 ⁵/₁₆

Fixture Material: Aluminum

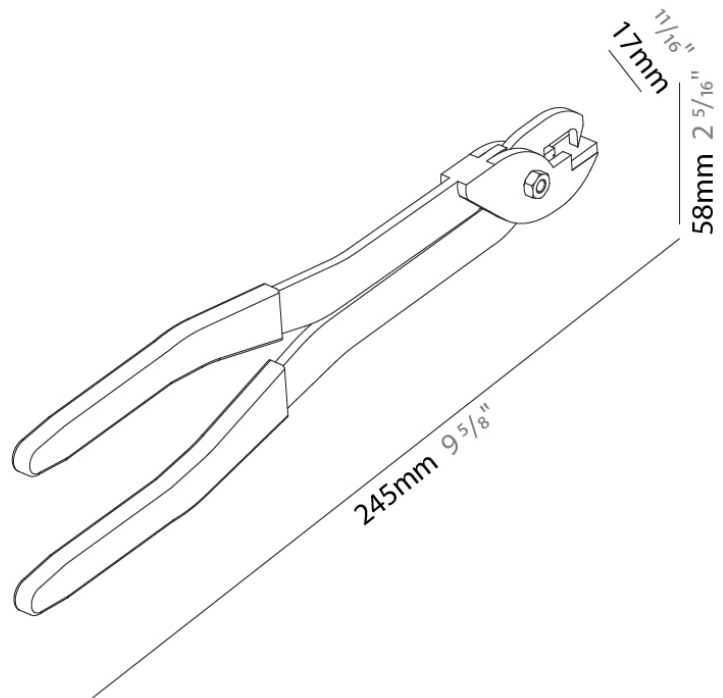
ELECTRICAL

Driver Included: No

RATINGS AND CERTIFICATIONS

Certified By: Certified for North American Standards

IP rating: IP20













A

LEGEND

| | | | | | |
|--|---|---|--|---|--|
|  | floor-mounted |  | pivotal |  | special LED (upon request) RGB, RGBW, tunable, gold+, meat+, art+, fashion+ |
|  | wall and ceiling: recessed and surface mounted |  | rotating |  | warm dim / natural dimming LED |
|  | ceiling-mounted and wall-mounted |  | illuminate tilted |  | rechargeable battery powered |
|  | wall-mounted |  | color of suspension cable |  | fixture with natural vivid LED (upon request) |
|  | omni-directional light distribution |  | length of suspension cable |  | color rendering index |
|  | direct light distribution |  | reflector degree selection |  | color temperature |
|  | direct/indirect light distribution |  | super spot |  | lumen (luminous flux) |
|  | indirect light distribution |  | lens |  | efficacy (lumens per watt) |
|  | asymmetric light distribution |  | lens pack |  | Unified Glare Rating (UGR) range from 5-40 |
|  | aura light distribution |  | shine ring |  | marine grade (AISI 316 stainless steel) |
|  | round wall or ceiling cut-out |  | integrated shine ring with diffuser |  | walk on |
|  | square wall or ceiling cut-out |  | free individual colors 01-29 |  | drive on |
|  | the supplied jig specifies the cutout dimensions |  | individual colors: 00 (free of charge), 01-25 (extra charge) |  | Dark Sky Compliance |
|  | minimum distance (meters) lamp - object |  | luminaire part to be colored (F1) |  | Americans with Disabilities Act (less than 4" off the wall located between 27"-84" from floor) |
|  | recessed depth |  | luminaire part to be colored (F2) |  | lamp protected against explosion |
|  | ceiling thickness in mm |  | luminaire part to be colored (F3) |  | blown glass using traditional methods by master glass blower |
|  | ceiling thickness selection |  | luminaire part to be colored (F4) |  | acoustic material |
|  | dimmable DP (phase), DV (0-10V), DD (dali), DS (step-dim) |  | luminaire part to be colored (F5) |  | protection class I, protection insulation |
|  | included or excluded LED driver/transformer/control gear |  | color of 3-circuit adaptor |  | protection class II, protection insulation |
|  | separately switchable |  | indirect diffuser |  | ETL Certified to UL and CSA Standards |
|  | sensor |  | direct diffuser |  | UL Certified to UL and CSA Standards |
|  | remote control |  | ball-proof (upon request) |  | CSA Certified to UL and CSA Standards |
|  | available upon request |  | accessory |  | Certified for North American Standards |

IP RATING

| | |
|---|--|
|  | protected against ingress of solid bodies greater than 12.5mm (finger) |
|  | protected against ingress of solid bodies greater than 2.5mm protected against sprays of water up to 60 degrees from the vertical (rain) |
|  | protected against ingress of solid bodies greater than 1mm (wire) no protection against the ingress of moisture |
|  | protected against ingress of solid bodies greater than 1mm (wire) protected against sprays of water up to 60 degrees from the vertical (rain) |
|  | protected against ingress of solid bodies greater than 1mm (wire) protected against water splashed from all directions |
|  | protected against limited ingress of dust (wet rooms/covered outdoor areas) protected against water splashed from all directions |
|  | protected against ingress of dust protected against jets of water |
|  | protected against ingress of dust protected against powerful jets of water or heavy seas |
|  | protected against ingress of dust protected against immersion of water between 15cm - 1m for 30 minutes |
|  | protected against ingress of dust protected against immersion of water under pressure for long periods |

IK RATING

| | |
|---|---|
|  | protected against 0.14 joules impact (equivalent to 0.25kg mass dropped from 56mm above the surface) |
|  | protected against 0.2 joules impact (equivalent to 0.25kg mass dropped from 80mm above the surface) |
|  | protected against 0.35 joules impact (equivalent to 0.25kg mass dropped from 140mm above the surface) |
|  | protected against 0.5 joules impact (equivalent to 0.25kg mass dropped from 200mm above the surface) |
|  | protected against 0.7 joules impact (equivalent to 0.25kg mass dropped from 280mm above the surface) |
|  | protected against 1 joules impact (equivalent to 0.25kg mass dropped from 400mm above the surface) |
|  | protected against 2 joules impact (equivalent to 0.5kg mass dropped from 400mm above the surface) |
|  | protected against 5 joules impact (equivalent to 1.7kg mass dropped from 300mm above the surface) |
|  | protected against 10 joules impact (equivalent to 5.0kg mass dropped from 200mm above the surface) |
|  | protected against 20 joules impact (equivalent to 5.0kg mass dropped from 400mm above the surface) |