

## A3T206- COMPONENTS TRACK

### STR1110-

#### DESCRIPTION

Track - End Feed - Right Side

#### GENERAL

Partner: Prolicht

Division: Architectural

Installation: Track

#### PHYSICAL

Length (mm): 148

Length (in): 5 <sup>13</sup>/<sub>16</sub>

Width (mm): 32

Width (in): 1 <sup>1</sup>/<sub>4</sub>

Height (mm): 38

Height (in): 1 <sup>1</sup>/<sub>2</sub>

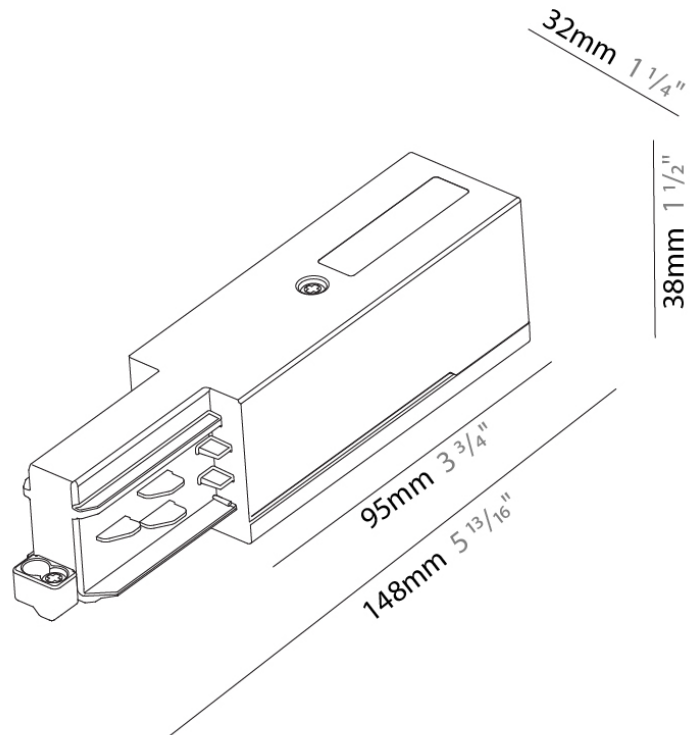
Fixture Finish: WHI / BLK / GRY

Fixture Material: Aluminum

#### RATINGS AND CERTIFICATIONS

Certified By: Certified for North American Standards

IP rating: IP20



A

PROJECT	_____
TYPE	_____
NOTES	_____
QUANTITY	_____
DATE	_____

## A3T206- COMPONENTS TRACK

### STR121-

#### DESCRIPTION

Track - End Feed - Left Side

#### GENERAL

Partner: Prolicht

Division: Architectural

Installation: Track

#### PHYSICAL

Length (mm): 148

Length (in): 5 <sup>13</sup>/<sub>16</sub>

Width (mm): 32

Width (in): 1 <sup>1</sup>/<sub>4</sub>

Height (mm): 38

Height (in): 1 <sup>1</sup>/<sub>2</sub>

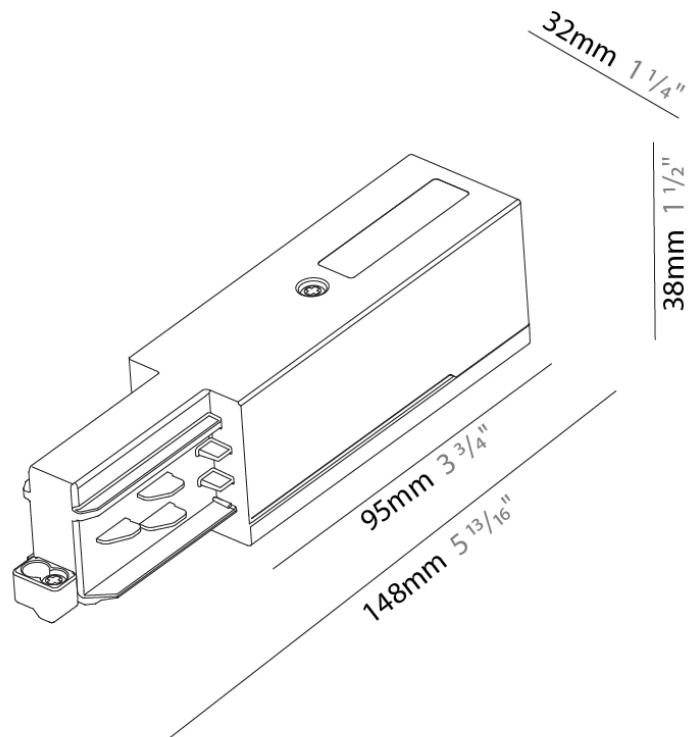
Fixture Finish: WHI / BLK / GRY

Fixture Material: Aluminum

#### RATINGS AND CERTIFICATIONS

Certified By: Certified for North American Standards

IP rating: IP20



A

## A3T206- COMPONENTS TRACK

PROJECT	_____
TYPE	_____
NOTES	_____
QUANTITY	_____
DATE	_____

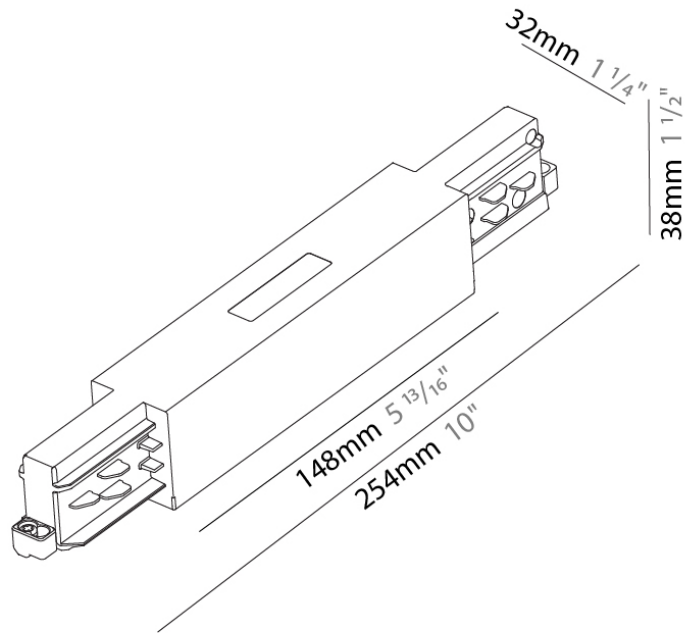
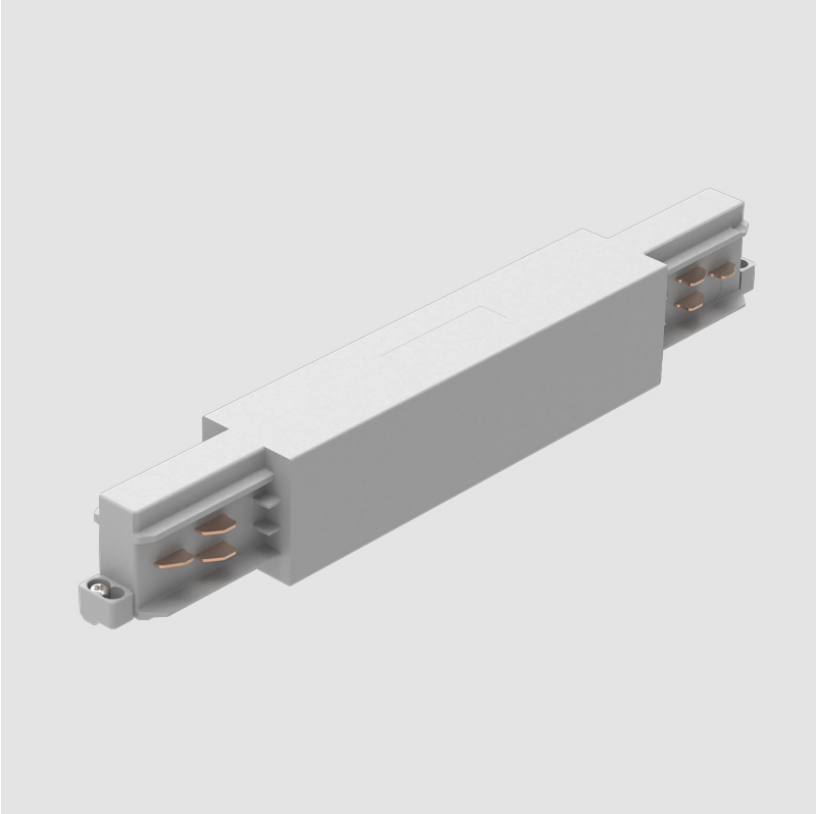
### STR141-

**DESCRIPTION**  
Track - Central Feed - \_\_\_\_\_

**GENERAL**  
Partner: Prolight  
Division: Architectural  
Installation: Track

**PHYSICAL**  
Length (mm): 254  
Length (in): 10  
Width (mm): 32  
Width (in): 1 1/4  
Height (mm): 38  
Height (in): 1 5/16  
Fixture Finish: WHI / BLK / GRY  
Fixture Material: Aluminum

**RATINGS AND CERTIFICATIONS**  
Certified By: Certified for North American Standards  
IP rating: IP20



A

PROJECT	_____
TYPE	_____
NOTES	_____
QUANTITY	_____
DATE	_____

## A3T206- COMPONENTS TRACK

### STR2100-

#### DESCRIPTION

Track - Straight Connector -

#### GENERAL

Partner: Prolicht

Division: Architectural

Installation: Track

#### PHYSICAL

Length (mm): 115

Length (in): 4 1/2"

Width (mm): 26

Width (in): 1"

Height (mm): 33

Height (in): 1 5/16"

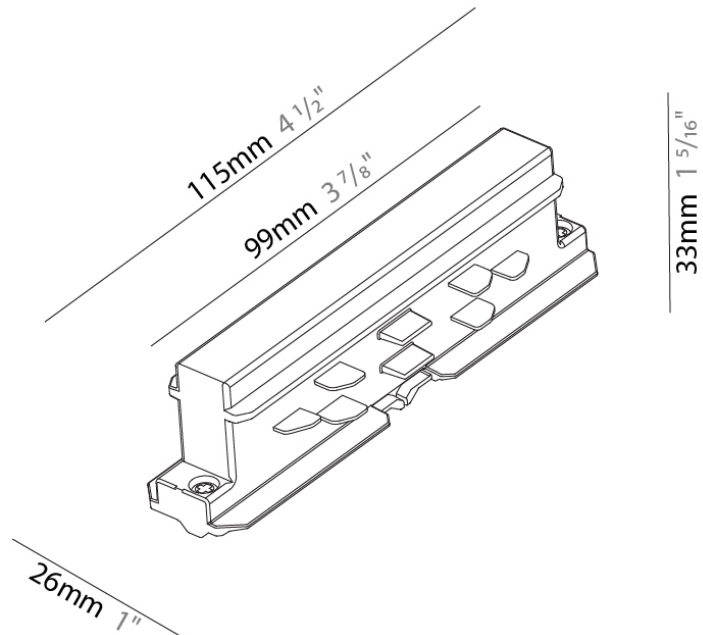
Fixture Finish: WHI / BLK / GRY

Fixture Material: Aluminum

#### RATINGS AND CERTIFICATIONS

Certified By: Certified for North American Standards

IP rating: IP20



PROJECT	
TYPE	
NOTES	
QUANTITY	
DATE	

## A3T206- COMPONENTS TRACK

### STR2300-

#### DESCRIPTION

Track - Flexible Connector -

#### GENERAL

Partner: Prolicht

Division: Architectural

Installation: Track

#### PHYSICAL

Length (mm): 370

Length (in): 14 <sup>9</sup>/<sub>16</sub>"

Width (mm): 32

Width (in): 1 <sup>1</sup>/<sub>4</sub>"

Height (mm): 38

Height (in): 1 <sup>5</sup>/<sub>16</sub>"

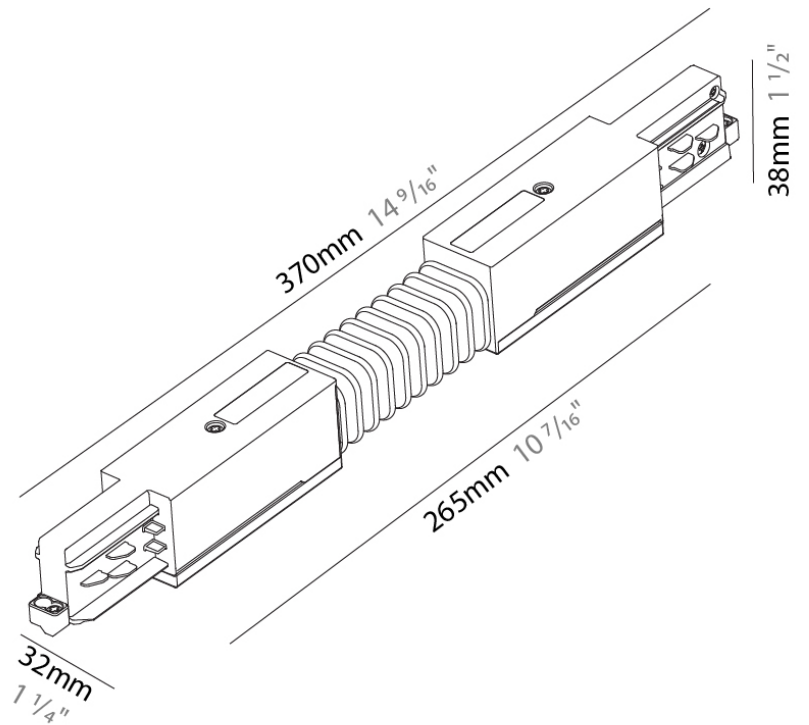
Fixture Finish: WHI / BLK / GRY

Fixture Material: Aluminum

#### RATINGS AND CERTIFICATIONS

Certified By: Certified for North American Standards

IP rating: IP20



A

## A3T206- COMPONENTS TRACK

### STR3400-

#### DESCRIPTION

Track - L-Connector, Outside Corner (Feedable) -

#### GENERAL

Partner: Prolight

Division: Architectural

Installation: Track

#### PHYSICAL

Length (mm): 143

Length (in): 5 <sup>5</sup>/<sub>8</sub>

Width (mm): 32

Width (in): 1 <sup>1</sup>/<sub>4</sub>

Height (mm): 38

Height (in): 1 <sup>1</sup>/<sub>2</sub>

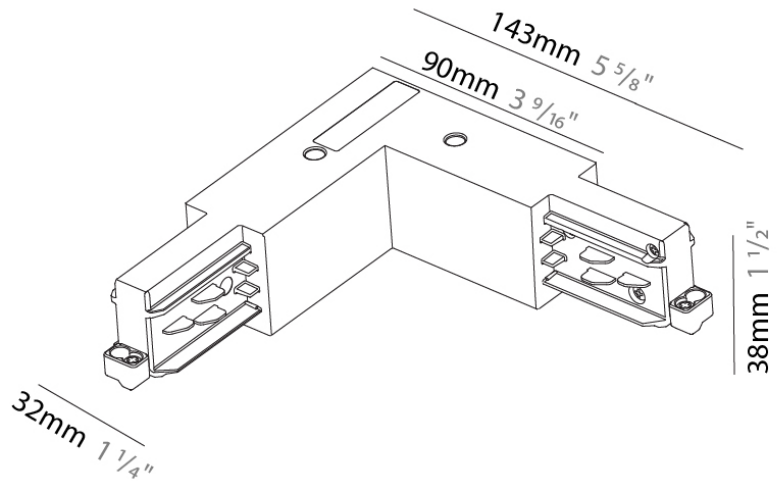
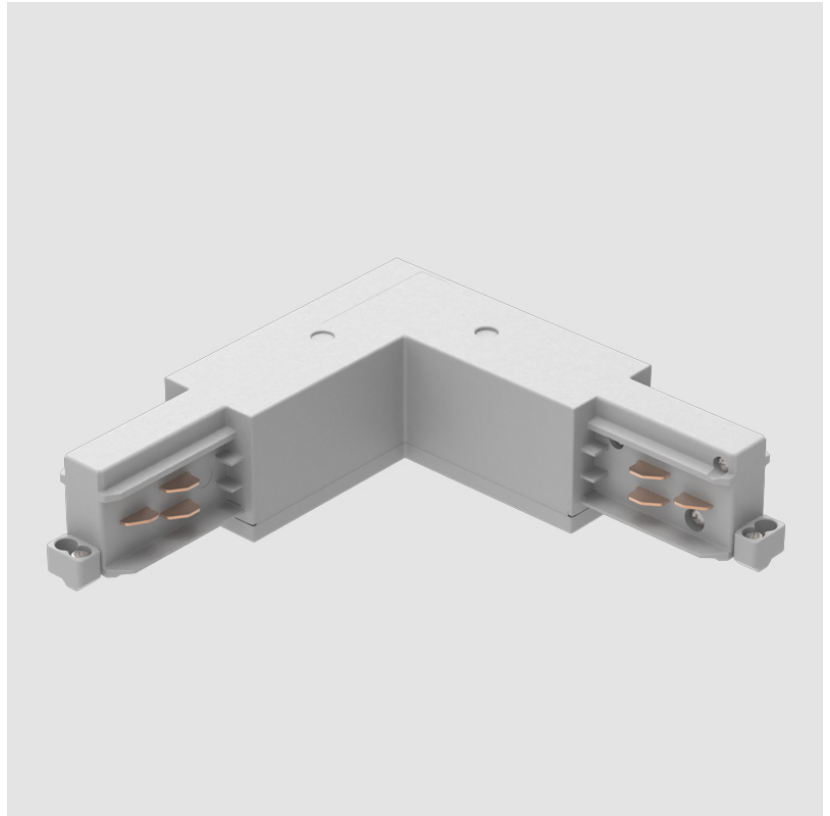
Fixture Finish: WHI / BLK / GRY

Fixture Material: Aluminum

#### RATINGS AND CERTIFICATIONS

Certified By: Certified for North American Standards

IP rating: IP20



## A3T206- COMPONENTS TRACK

### STR3500-

#### DESCRIPTION

Track - 3-Circuit L-Connector, Inside Corner (Feedable)

#### GENERAL

Partner: Prolicht

Division: Architectural

Installation: Track

#### PHYSICAL

Length (mm): 143

Length (in): 5 <sup>5</sup>/<sub>8</sub>

Width (mm): 32

Width (in): 1 <sup>1</sup>/<sub>4</sub>

Height (mm): 38

Height (in): 1 <sup>1</sup>/<sub>2</sub>

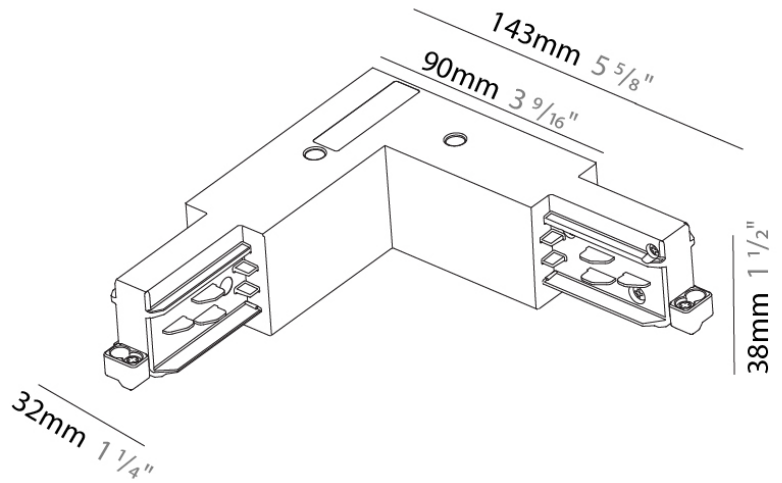
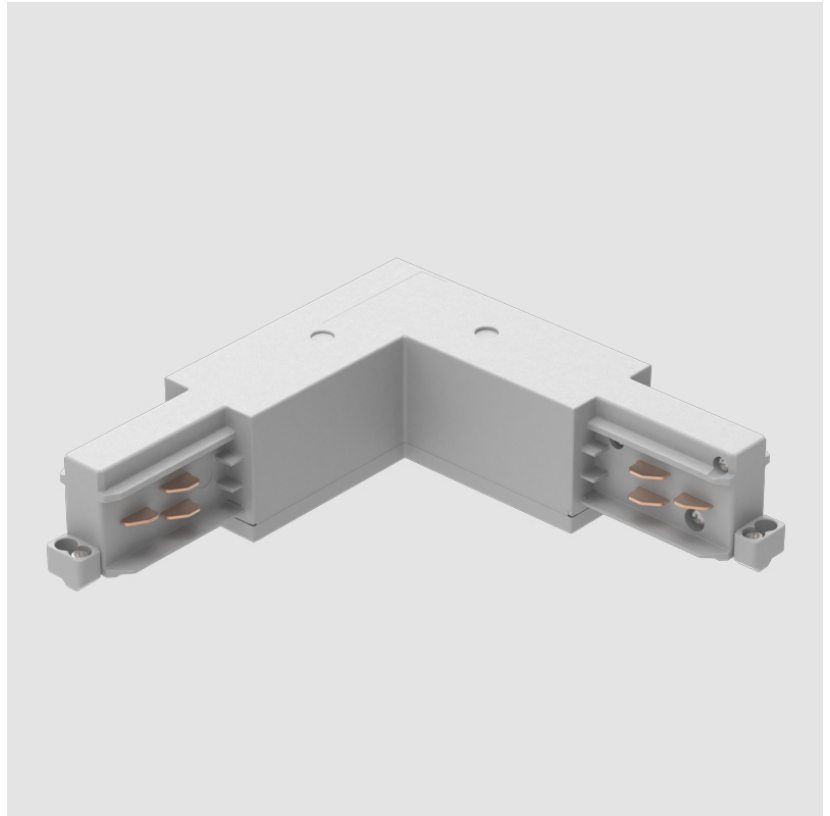
Fixture Finish: WHI / BLK / GRY

Fixture Material: Aluminum

#### RATINGS AND CERTIFICATIONS

Certified By: Certified for North American Standards

IP rating: IP20



## A3T206- COMPONENTS TRACK

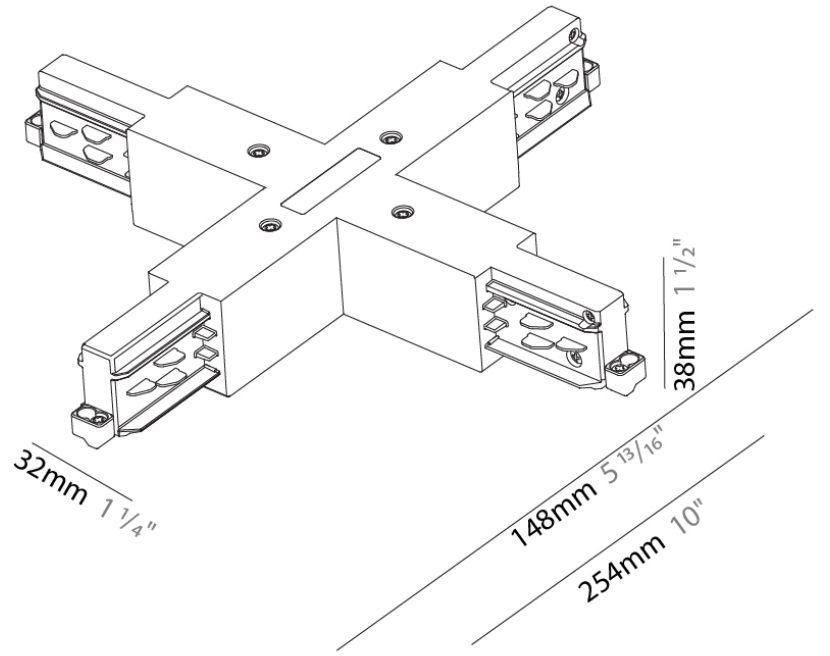
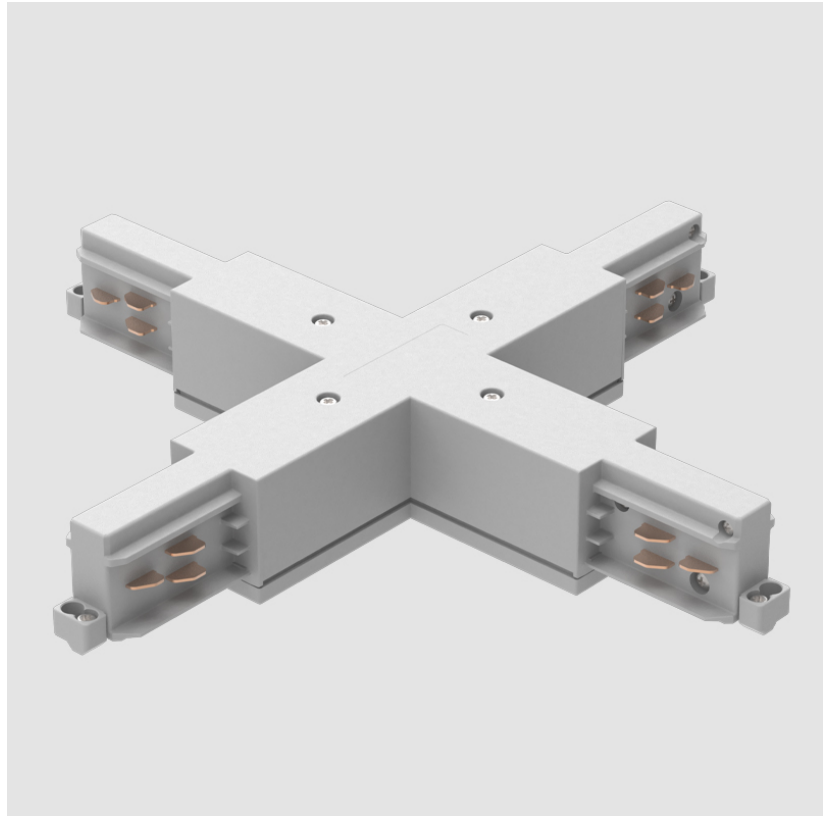
### STR380-

**DESCRIPTION**  
 Track - X-Connector (Feedable) - \_\_\_\_\_

**GENERAL**  
 Partner: Prolight  
 Division: Architectural  
 Installation: Track

**PHYSICAL**  
 Length (mm): 148  
 Length (in): 5 <sup>13</sup>/<sub>16</sub>  
 Width (mm): 148  
 Width (in): 5 <sup>13</sup>/<sub>16</sub>  
 Height (mm): 38  
 Height (in): 1 <sup>1</sup>/<sub>2</sub>  
 Fixture Finish: WHI / BLK / GRY  
 Fixture Material: Aluminum

**RATINGS AND CERTIFICATIONS**  
 Certified By: Certified for North American Standards  
 IP rating: IP20



## A3T206- COMPONENTS TRACK

### STR3900-

#### DESCRIPTION

Track - T-Connector, Inside (Feedable) -

#### GENERAL

Partner: Prolicht

Division: Architectural

Installation: Track

#### PHYSICAL

Length (mm): 254

Length (in): 10

Width (mm): 143

Width (in): 5 <sup>13</sup>/<sub>16</sub>

Height (mm): 38

Height (in): 1 <sup>1</sup>/<sub>2</sub>

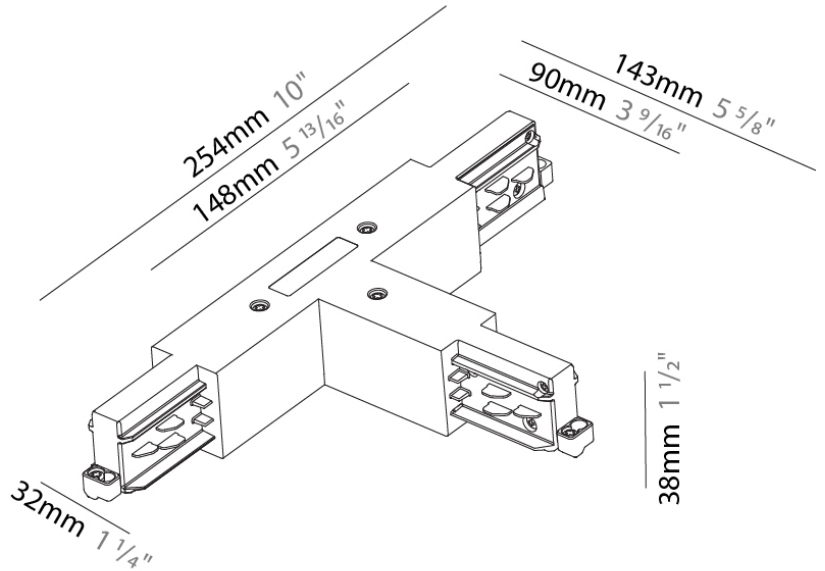
Fixture Finish: WHI / BLK / GRY

Fixture Material: Aluminum

#### RATINGS AND CERTIFICATIONS

Certified By: Certified for North American Standards

IP rating: IP20



## A3T206- COMPONENTS TRACK

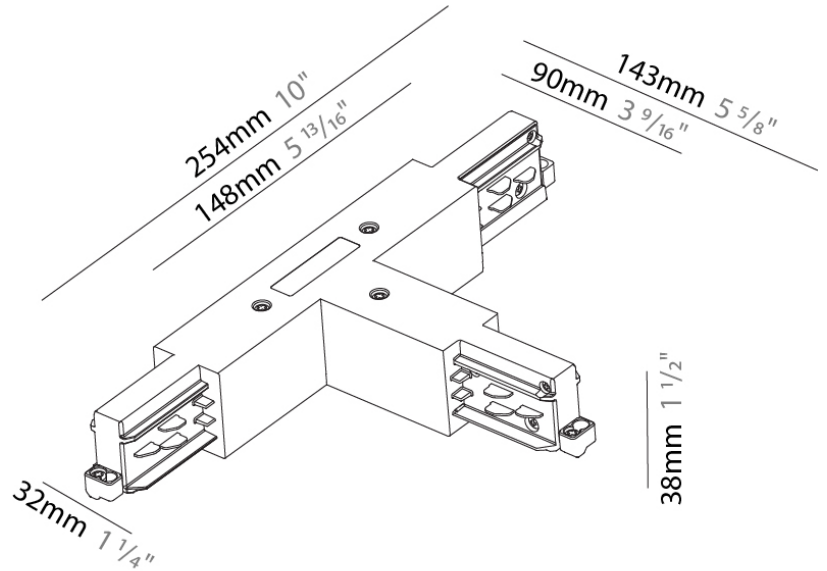
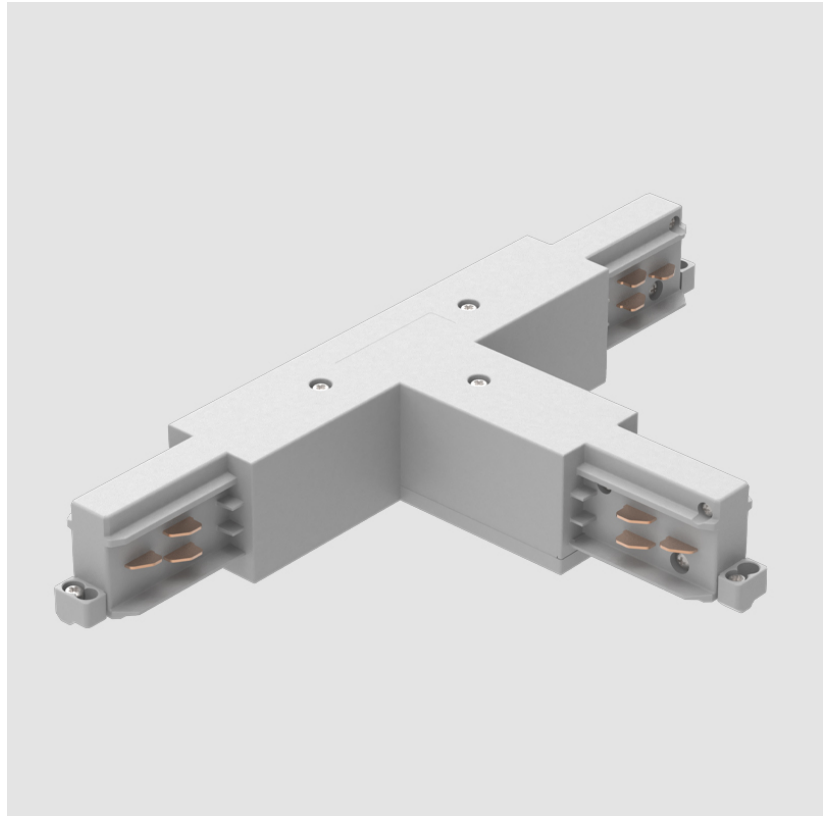
### STR40001-

**DESCRIPTION**  
Track - T-Connector, Outside (Feedable) - \_\_\_\_\_

**GENERAL**  
Partner: Prolight  
Division: Architectural  
Installation: Track

**PHYSICAL**  
Length (mm): 254  
Length (in): 10  
Width (mm): 143  
Width (in): 5 5/8  
Height (mm): 38  
Height (in): 1 1/2  
Fixture Finish: WHI / BLK / GRY  
Fixture Material: Aluminum

**RATINGS AND CERTIFICATIONS**  
Certified By: Certified for North American Standards  
IP rating: IP20



## A3T206- COMPONENTS SURFACE

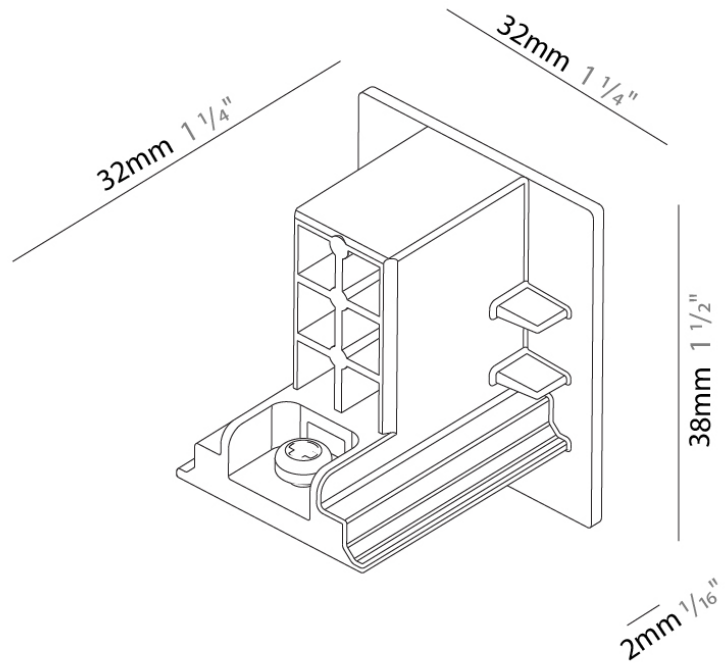
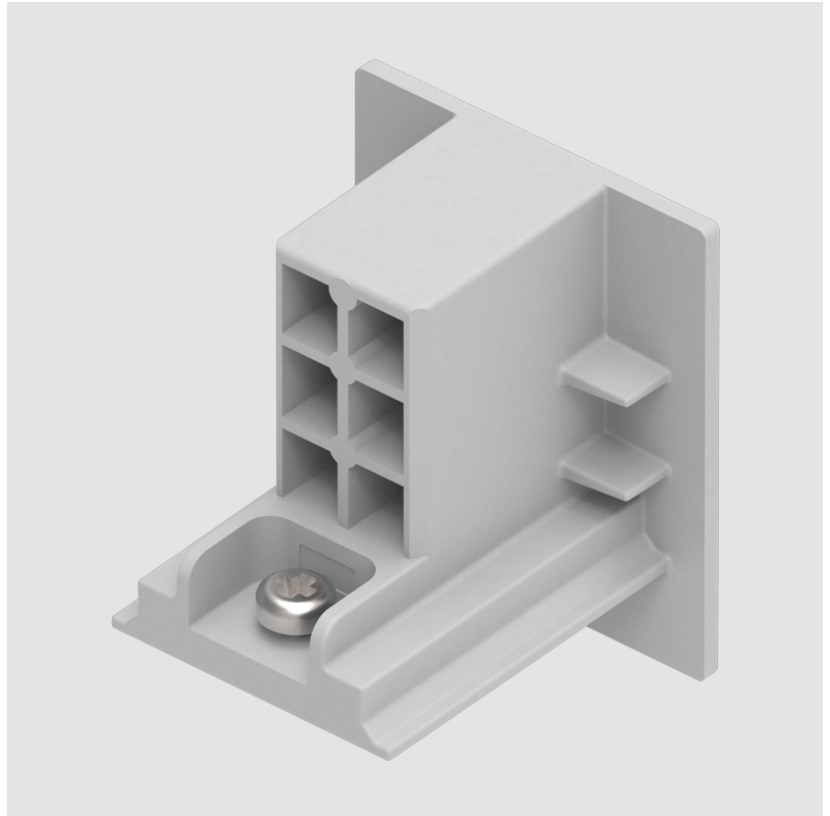
### STR4100-

**DESCRIPTION**  
 Track - Surface - End Cap -

**GENERAL**  
 Partner: Prolicht  
 Division: Architectural  
 Installation: Surface

**PHYSICAL**  
 Length (mm): 32  
 Length (in): 1 ¼  
 Width (mm): 32  
 Width (in): 1 ¼  
 Height (mm): 38  
 Height (in): 1 ½  
 Fixture Finish: WHI / BLK / GRY  
 Fixture Material: Aluminum

**RATINGS AND CERTIFICATIONS**  
 Certified By: Certified for North American Standards  
 IP rating: IP20



## A3T206- COMPONENTS TRACK

PROJECT	
TYPE	
NOTES	
QUANTITY	
DATE	

### STR510-

#### DESCRIPTION

Track - Suspension Cable Kit 3000mm -

#### GENERAL

Partner: Prolight

Division: Architectural

Installation: Track

#### PHYSICAL

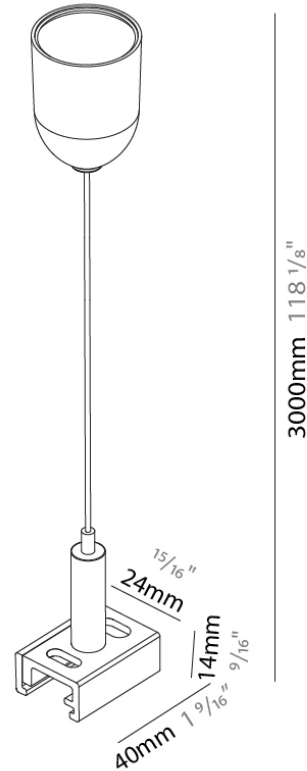
Fixture Finish: WHI / BLK / GRY

Fixture Material: Aluminum

#### RATINGS AND CERTIFICATIONS

Certified By: Certified for North American Standards

IP rating: IP20



A

## A3T206- COMPONENTS TRACK

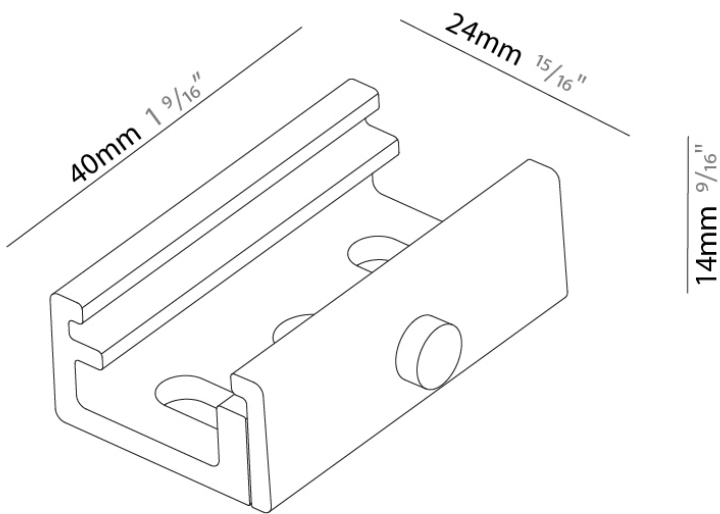
### STR512-

**DESCRIPTION**  
 Track - Ceiling Mounting Bracket

**GENERAL**  
 Partner: Prolight  
 Division: Architectural  
 Installation: Track

**PHYSICAL**  
 Length (mm): 40  
 Length (in): 1 <sup>9</sup>/<sub>16</sub>  
 Width (mm): 24  
 Width (in): 15/16  
 Height (mm): 14  
 Height (in): 9/16  
 Fixture Finish: WHI / BLK  
 Fixture Material: Aluminum

**RATINGS AND CERTIFICATIONS**  
 Certified By: Certified for North American Standards  
 IP rating: IP20



## A3T206- COMPONENTS TRACK

### STR521-

#### DESCRIPTION

Track - Stem and canopy kit 1000mm

#### GENERAL

Partner: Prolight

Division: Architectural

Installation: Track

#### PHYSICAL

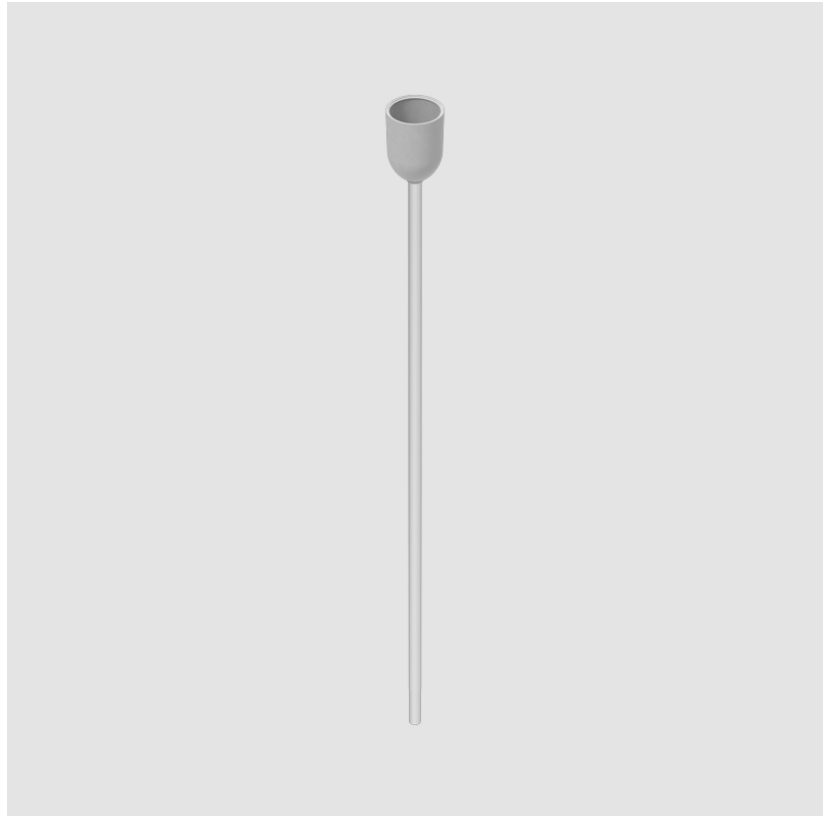
Fixture Finish: WHI / BLK

Fixture Material: Aluminum

#### RATINGS AND CERTIFICATIONS

Certified By: Certified for North American Standards

IP rating: IP20



## A3T206- COMPONENTS TRACK

### STR9001R-

#### DESCRIPTION

Track - Cover End Power Supply

#### GENERAL

Partner: Prolight

Division: Architectural

Installation: Track

#### PHYSICAL

Length (mm): 95

Length (in): 3 <sup>3</sup>/<sub>4</sub>

Width (mm): 52

Width (in): 2 <sup>1</sup>/<sub>16</sub>

Height (mm): 34

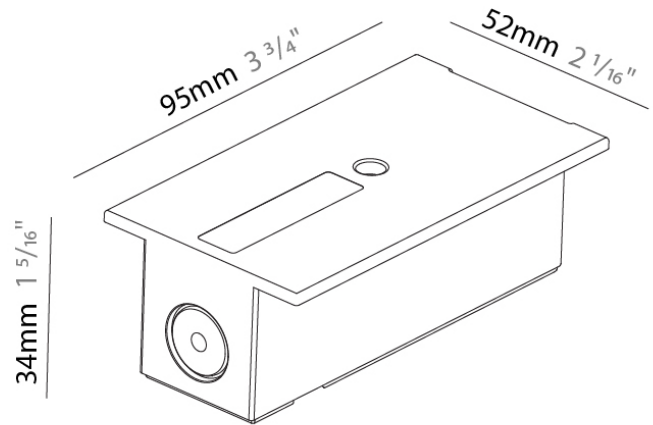
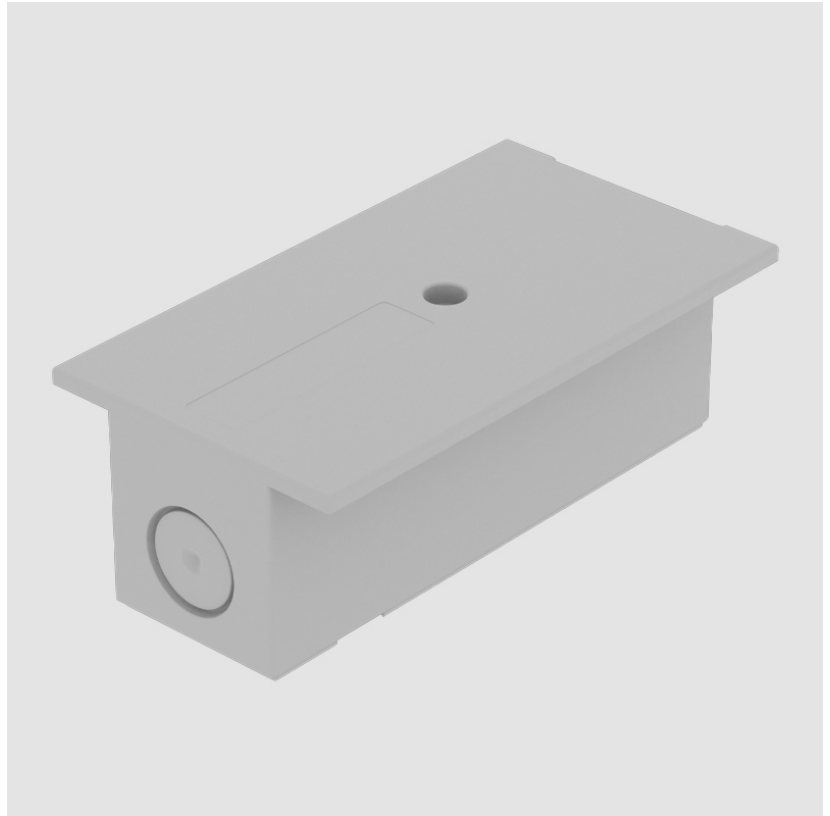
Height (in): 1 <sup>5</sup>/<sub>16</sub>

Fixture Finish: WHI / BLK / GRY

Fixture Material: Aluminum

#### RATINGS AND CERTIFICATIONS

IP rating: IP20



PROJECT	
TYPE	
NOTES	
QUANTITY	
DATE	

## A3T206- COMPONENTS TRACK

### STR9010R-

#### DESCRIPTION

Track - Cover Mid Power Supply

#### GENERAL

Partner: Prolight

Division: Architectural

Installation: Track

#### PHYSICAL

Length (mm): 148

Length (in): 5 <sup>13</sup>/<sub>16</sub>

Width (mm): 52

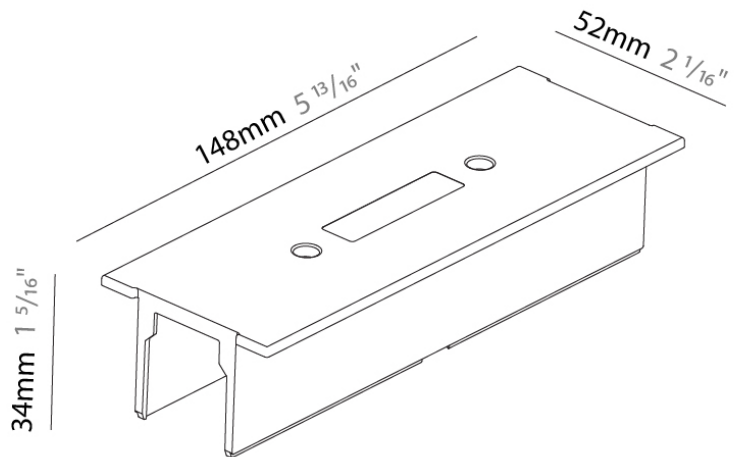
Width (in): 2 <sup>1</sup>/<sub>16</sub>

Height (mm): 34

Height (in): 1 <sup>5</sup>/<sub>16</sub>

Fixture Finish: WHI / BLK / GRY

Fixture Material: Aluminum



## A3T206- COMPONENTS TRACK

### STR9011R-

#### DESCRIPTION

Track - Cover Corner Connector

#### GENERAL

Partner: Prolicht

Division: Architectural

Installation: Track

#### PHYSICAL

Length (mm): 100

Length (in): 3 <sup>15</sup>/<sub>16</sub>"

Width (mm): 100

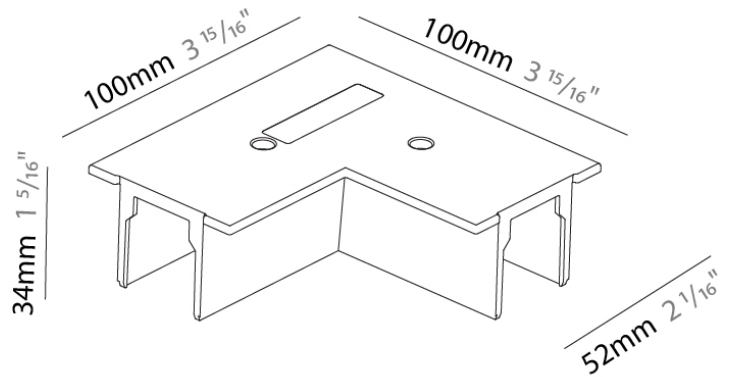
Width (in): 3 <sup>15</sup>/<sub>16</sub>"

Height (mm): 34

Height (in): 1 <sup>5</sup>/<sub>16</sub>"

Fixture Finish: WHI / BLK / GRY

Fixture Material: Aluminum



## A3T206- COMPONENTS TRACK

PROJECT \_\_\_\_\_

TYPE \_\_\_\_\_

NOTES \_\_\_\_\_

QUANTITY \_\_\_\_\_

DATE \_\_\_\_\_

### STR9013R-

#### DESCRIPTION

Track - Cover T-Connector

#### GENERAL

Partner: Prolicht

Division: Architectural

Installation: Track

#### PHYSICAL

Length (mm): 148

Length (in): 5 <sup>13</sup>/<sub>16</sub>

Width (mm): 100

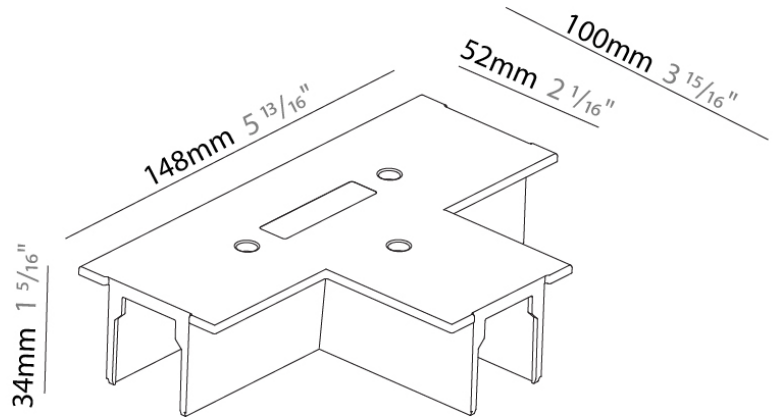
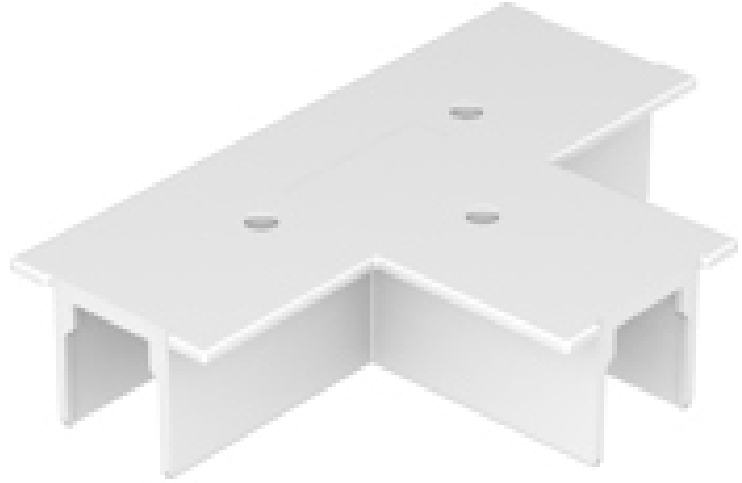
Width (in): 3 <sup>15</sup>/<sub>16</sub>

Height (mm): 34

Height (in): 1 <sup>5</sup>/<sub>16</sub>

Fixture Finish: WHI / BLK / GRY

Fixture Material: Aluminum



A

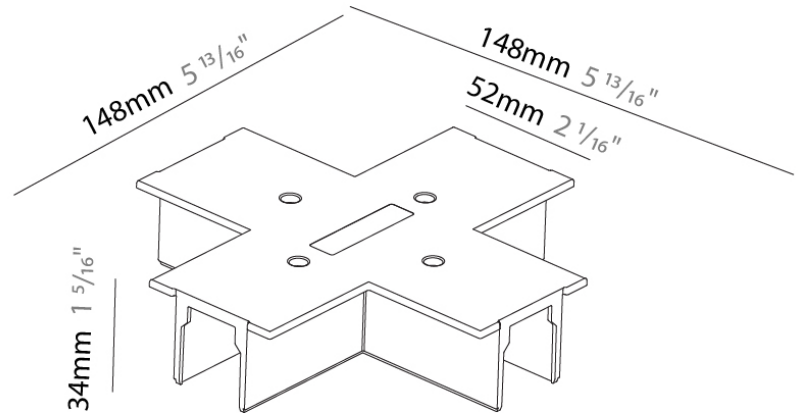
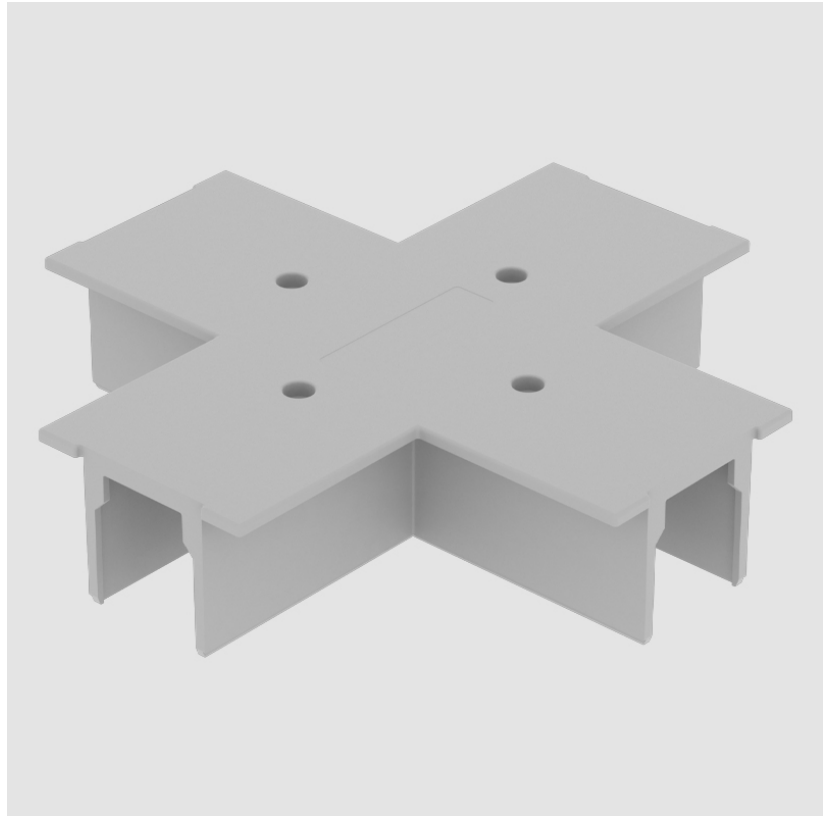
## A3T206- COMPONENTS TRACK

### STR9017R-

**DESCRIPTION**  
 Track - Cover Cross Connector

**GENERAL**  
 Partner: Prolight  
 Division: Architectural  
 Installation: Track

**PHYSICAL**  
 Length (mm): 148  
 Length (in): 5 <sup>13</sup>/<sub>16</sub>"  
 Width (mm): 148  
 Width (in): 5 <sup>13</sup>/<sub>16</sub>"  
 Height (mm): 34  
 Height (in): 1 <sup>5</sup>/<sub>16</sub>"  
 Fixture Finish: WHI / BLK / GRY  
 Fixture Material: Aluminum



## A3T206- COMPONENTS SURFACE

### STRR4100-

#### DESCRIPTION

Track - Recessed - End Cap -

#### GENERAL

Partner: Prolicht

Division: Architectural

Installation: Surface

#### PHYSICAL

Length (mm): 32

Length (in): 1 ¼

Width (mm): 32

Width (in): 1 ¼

Height (mm): 38

Height (in): 1 ½

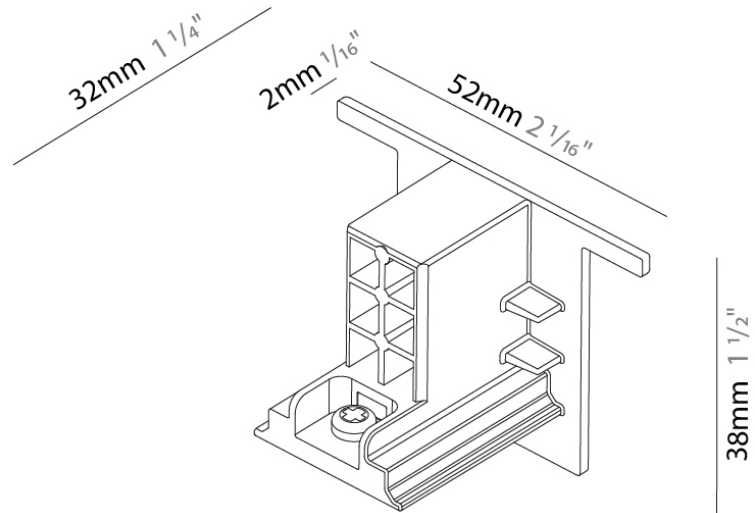
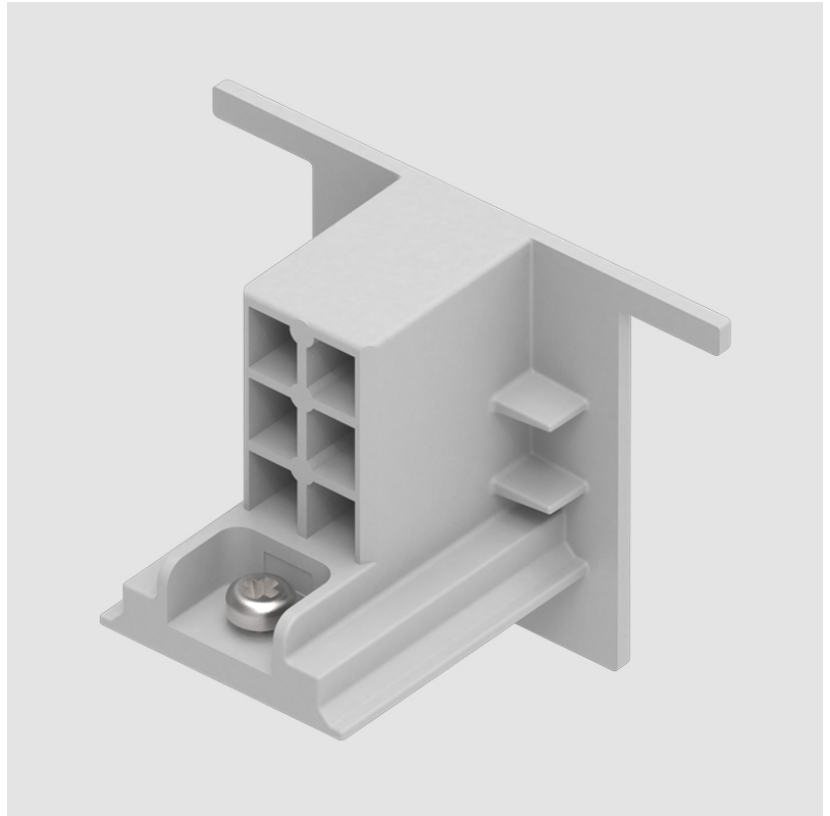
Fixture Finish: WHI / BLK / GRY

Fixture Material: Aluminum

#### RATINGS AND CERTIFICATIONS

Certified By: Certified for North American Standards

IP rating: IP20



## A3T206- COMPONENTS TRACK

### STRR4400-

#### DESCRIPTION

Track - 4' Recessed Mount 3-Circuit Track - Gray

#### GENERAL

Partner: Prolight

Division: Architectural

Installation: Track

#### PHYSICAL

Shape: Rectangle

Length (mm): 1219

Length (in): 48

Width (mm): 32

Width (in): 1 1/4

Height (mm): 38

Height (in): 1 1/2

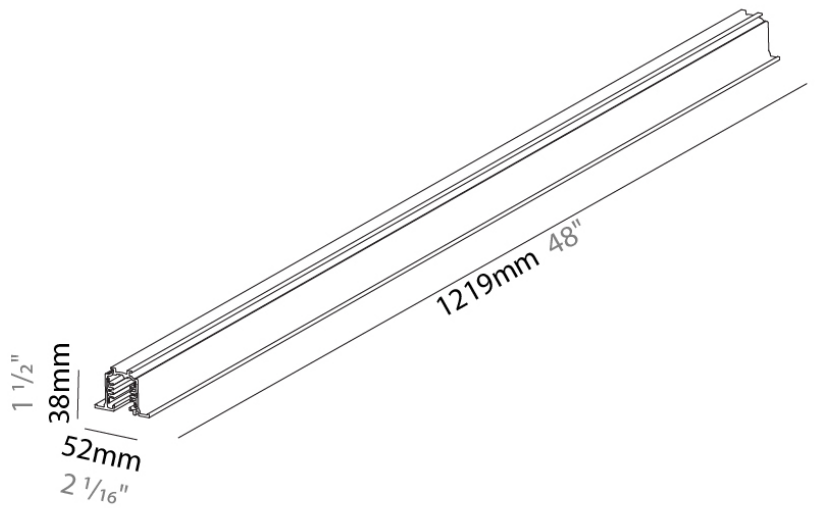
Fixture Finish: WHI / BLK / GRY

Fixture Material: Aluminum

#### RATINGS AND CERTIFICATIONS

Certified By: Certified for North American Standards

IP rating: IP20



PROJECT	
TYPE	
NOTES	
QUANTITY	
DATE	

## A3T206- COMPONENTS TRACK

### STRR4800-

#### DESCRIPTION

Track - 8' Recessed Mount 3-Circuit Track - Gray

#### GENERAL

Partner: Prolight

Division: Architectural

Installation: Track

#### PHYSICAL

Shape: Rectangle

Length (mm): 2438

Length (in): 96

Width (mm): 32

Width (in): 1 1/4

Height (mm): 38

Height (in): 1 1/2

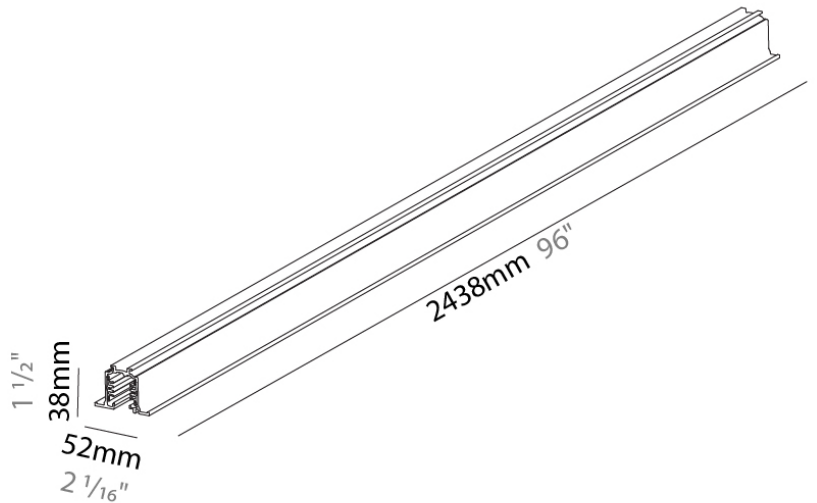
Fixture Finish: WHI / BLK / GRY

Fixture Material: Aluminum

#### RATINGS AND CERTIFICATIONS

Certified By: Certified for North American Standards

IP rating: IP20



PROJECT	
TYPE	
NOTES	
QUANTITY	
DATE	

## A3T206- COMPONENTS TRACK

### STRS4400-

#### DESCRIPTION

Track - 4' Surface Mount 3-Circuit Track

#### GENERAL

Partner: Prolight

Division: Architectural

Installation: Track

#### PHYSICAL

Shape: Rectangle

Length (mm): 1219

Length (in): 48

Width (mm): 32

Width (in): 1 1/4

Height (mm): 38

Height (in): 1 1/2

Fixture Finish: WHI / BLK / GRY

Fixture Material: Aluminum

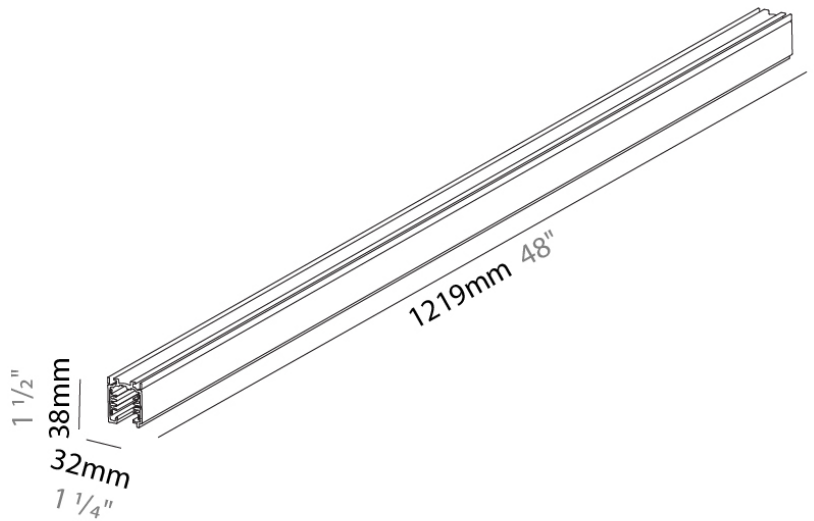
#### ELECTRICAL

Driver Included: No

#### RATINGS AND CERTIFICATIONS

Certified By: Certified for North American Standards

IP rating: IP20



## A3T206- COMPONENTS TRACK

### STRS4800-

#### DESCRIPTION

Track - 8' Surface Mount 3-Circuit Track

#### GENERAL

Partner: Prolicht

Division: Architectural

Installation: Track

#### PHYSICAL

Shape: Rectangle

Length (mm): 2438

Length (in): 96"

Width (mm): 32

Width (in): 1 1/4"

Height (mm): 38

Height (in): 1 1/2"

Fixture Finish: WHI / BLK / GRY

Fixture Material: Aluminum

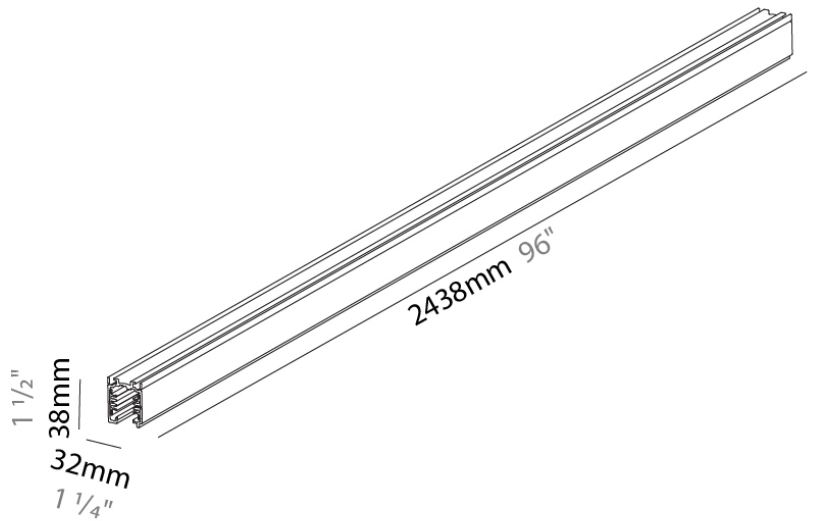
#### ELECTRICAL

Driver Included: No

#### RATINGS AND CERTIFICATIONS

Certified By: Certified for North American Standards

IP rating: IP20



## A3T206- COMPONENTS TRACK

### STRV120

#### DESCRIPTION

Cutting Tool for Track Conductors

#### GENERAL

Partner: Prolight

Division: Architectural

Installation: Track

#### PHYSICAL

Length (mm): 245

Length (in): 9 <sup>5</sup>/<sub>8</sub>

Height (mm): 58

Height (in): 2 <sup>5</sup>/<sub>16</sub>

Fixture Material: Aluminum

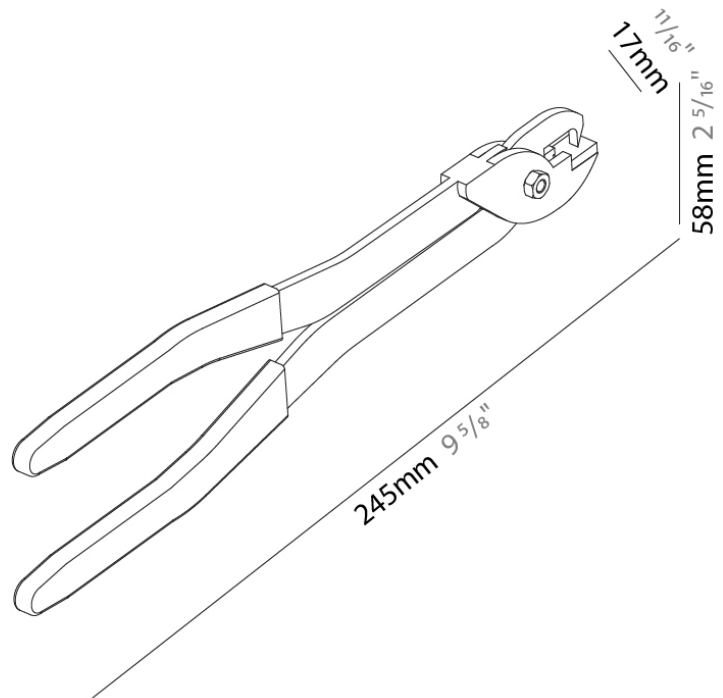
#### ELECTRICAL

Driver Included: No

#### RATINGS AND CERTIFICATIONS

Certified By: Certified for North American Standards

IP rating: IP20



A

### LEGEND

	floor-mounted		pivotable		special LED (upon request) RGB, RGBW, tunable, gold+, meat+, art+, fashion+
	wall and ceiling: recessed and surface mounted		rotating		warm dim / natural dimming LED
	ceiling-mounted and wall-mounted		illuminate tilted		rechargeable battery powered
	wall-mounted		color of suspension cable		fixture with natural vivid LED (upon request)
	omni-directional light distribution		length of suspension cable		color rendering index
	direct light distribution		reflector degree selection		color temperature
	direct/indirect light distribution		super spot		lumen (luminous flux)
	indirect light distribution		lens		efficacy (lumens per watt)
	asymmetric light distribution		lens pack		Unified Glare Rating (UGR) range from 5-40
	aura light distribution		shine ring		marine grade (AISI 316 stainless steel)
	round wall or ceiling cut-out		integrated shine ring with diffuser		walk on
	square wall or ceiling cut-out		free individual colors 01-29		drive on
	the supplied jig specifies the cutout dimensions		individual colors: 00 (free of charge), 01-25 (extra charge)		Dark Sky Compliance
	minimum distance (meters) lamp - object		luminaire part to be colored (F1)		Americans with Disabilities Act (less than 4" off the wall located between 27"-84" from floor)
	recessed depth		luminaire part to be colored (F2)		lamp protected against explosion
	ceiling thickness in mm		luminaire part to be colored (F3)		blown glass using traditional methods by master glass blower
	ceiling thickness selection		luminaire part to be colored (F4)		acoustic material
	dimnable DP (phase), DV (0-10V), DD (dali), DS (step-dim)		luminaire part to be colored (F5)		protection class I, protection insulation
	included or excluded LED driver/transformer/control gear		color of 3-circuit adaptor		protection class II, protection insulation
	separately switchable		indirect diffuser		ETL Certified to UL and CSA Standards
	sensor		direct diffuser		UL Certified to UL and CSA Standards
	remote control		ball-proof (upon request)		CSA Certified to UL and CSA Standards
	available upon request		accessory		Certified for North American Standards

### IP RATING

	protected against ingress of solid bodies greater than 12.5mm (finger)
	protected against ingress of solid bodies greater than 2.5mm protected against sprays of water up to 60 degrees from the vertical (rain)
	protected against ingress of solid bodies greater than 1mm (wire) no protection against the ingress of moisture
	protected against ingress of solid bodies greater than 1mm (wire) protected against sprays of water up to 60 degrees from the vertical (rain)
	protected against ingress of solid bodies greater than 1mm (wire) protected against water splashed from all directions
	protected against limited ingress of dust (wet rooms/covered outdoor areas) protected against water splashed from all directions
	protected against ingress of dust protected against jets of water
	protected against ingress of dust protected against powerful jets of water or heavy seas
	protected against ingress of dust protected against immersion of water between 15cm - 1m for 30 minutes
	protected against ingress of dust protected against immersion of water under pressure for long periods

### IK RATING

	protected against 0.14 joules impact (equivalent to 0.25kg mass dropped from 56mm above the surface)
	protected against 0.2 joules impact (equivalent to 0.25kg mass dropped from 80mm above the surface)
	protected against 0.35 joules impact (equivalent to 0.25kg mass dropped from 140mm above the surface)
	protected against 0.5 joules impact (equivalent to 0.25kg mass dropped from 200mm above the surface)
	protected against 0.7 joules impact (equivalent to 0.25kg mass dropped from 280mm above the surface)
	protected against 1 joules impact (equivalent to 0.25kg mass dropped from 400mm above the surface)
	protected against 2 joules impact (equivalent to 0.5kg mass dropped from 400mm above the surface)
	protected against 5 joules impact (equivalent to 1.7kg mass dropped from 300mm above the surface)
	protected against 10 joules impact (equivalent to 5.0kg mass dropped from 200mm above the surface)
	protected against 20 joules impact (equivalent to 5.0kg mass dropped from 400mm above the surface)