

A3T226- COMPONENTS TRACK

STR1110-

DESCRIPTION

Track - End Feed - Right Side

GENERAL

Partner: Prolicht

Division: Architectural

Installation: Track

PHYSICAL

Length (mm): 148

Length (in): 5 ¹³/₁₆

Width (mm): 32

Width (in): 1 ¹/₄

Height (mm): 38

Height (in): 1 ¹/₂

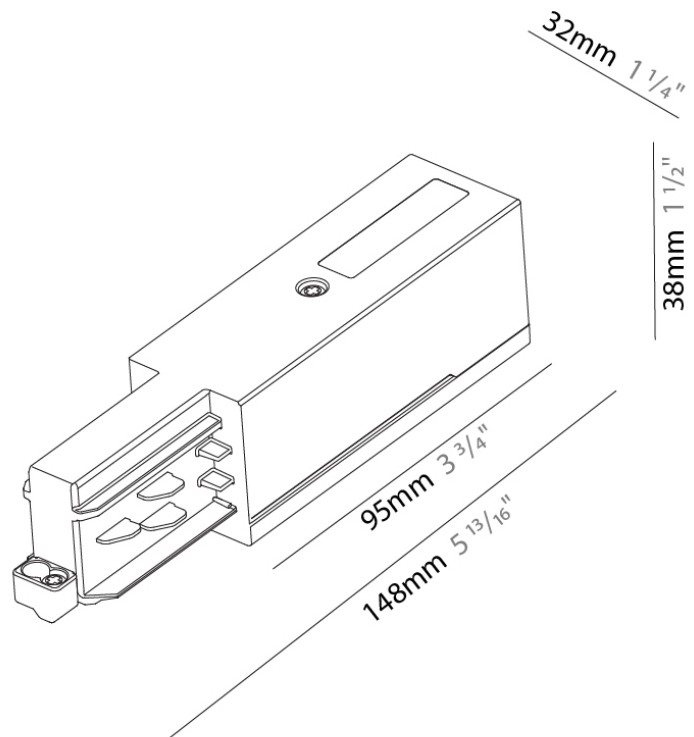
Fixture Finish: WHI / BLK / GRY

Fixture Material: Aluminum

RATINGS AND CERTIFICATIONS

Certified By: Certified for North American Standards

IP rating: IP20



(A)

A3T226- COMPONENTS TRACK

STR121-

DESCRIPTION

Track - End Feed - Left Side

GENERAL

Partner: Prolicht

Division: Architectural

Installation: Track

PHYSICAL

Length (mm): 148

Length (in): 5 ¹³/₁₆

Width (mm): 32

Width (in): 1 ¹/₄

Height (mm): 38

Height (in): 1 ¹/₂

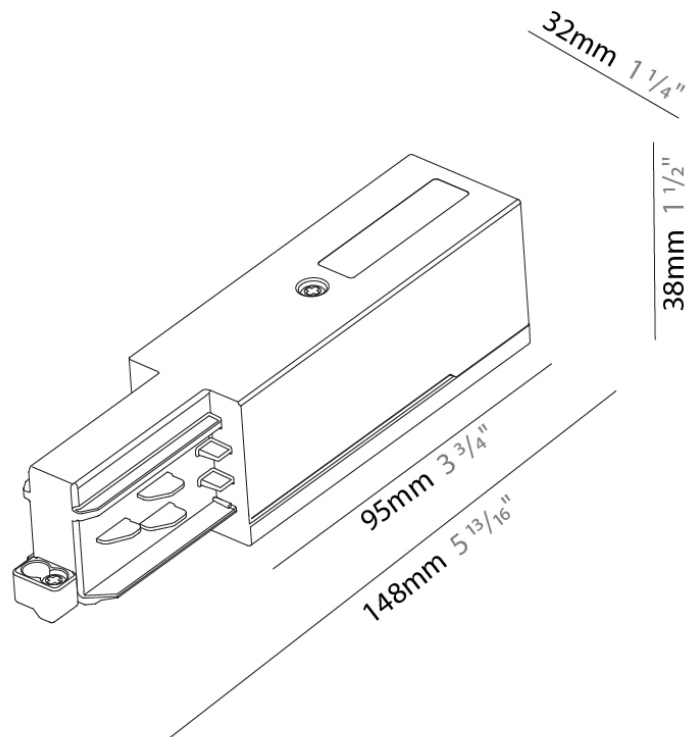
Fixture Finish: WHI / BLK / GRY

Fixture Material: Aluminum

RATINGS AND CERTIFICATIONS

Certified By: Certified for North American Standards

IP rating: IP20



A

PROJECT	
TYPE	
NOTES	
QUANTITY	
DATE	

A3T226- COMPONENTS TRACK

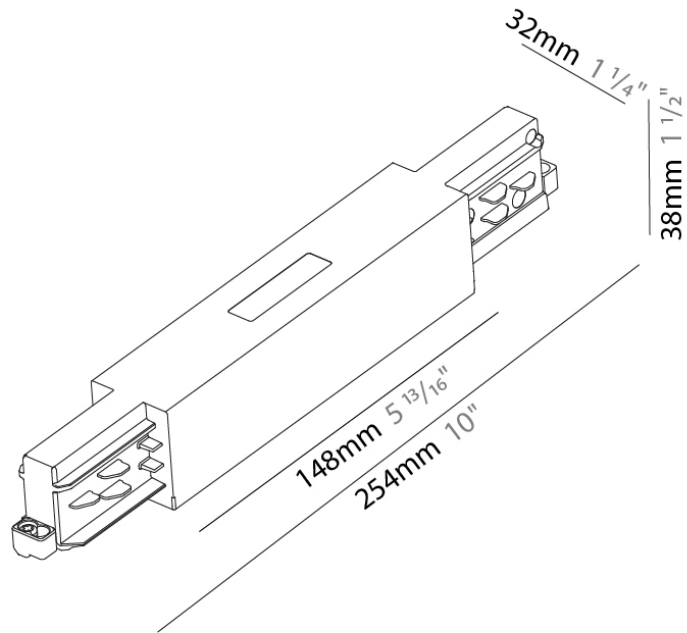
STR141-

DESCRIPTION
Track - Central Feed -

GENERAL
Partner: Prolight
Division: Architectural
Installation: Track

PHYSICAL
Length (mm): 254
Length (in): 10
Width (mm): 32
Width (in): 1 1/4
Height (mm): 38
Height (in): 1 5/16
Fixture Finish: WHI / BLK / GRY
Fixture Material: Aluminum

RATINGS AND CERTIFICATIONS
Certified By: Certified for North American Standards
IP rating: IP20



PROJECT	_____
TYPE	_____
NOTES	_____
QUANTITY	_____
DATE	_____

A3T226- COMPONENTS TRACK

STR2100-

DESCRIPTION

Track - Straight Connector -

GENERAL

Partner: Prolicht

Division: Architectural

Installation: Track

PHYSICAL

Length (mm): 115

Length (in): 4 1/2"

Width (mm): 26

Width (in): 1"

Height (mm): 33

Height (in): 1 5/16"

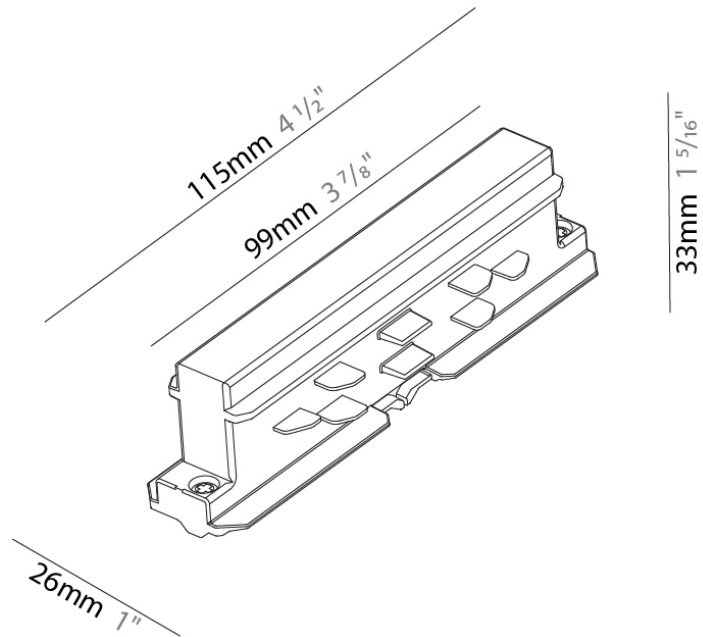
Fixture Finish: WHI / BLK / GRY

Fixture Material: Aluminum

RATINGS AND CERTIFICATIONS

Certified By: Certified for North American Standards

IP rating: IP20



A

PROJECT	
TYPE	
NOTES	
QUANTITY	
DATE	

A3T226- COMPONENTS TRACK

STR2300-

DESCRIPTION

Track - Flexible Connector -

GENERAL

Partner: Prolicht

Division: Architectural

Installation: Track

PHYSICAL

Length (mm): 370

Length (in): 14 ⁹/₁₆

Width (mm): 32

Width (in): 1 ¹/₁₆

Height (mm): 38

Height (in): 1 ⁹/₁₆

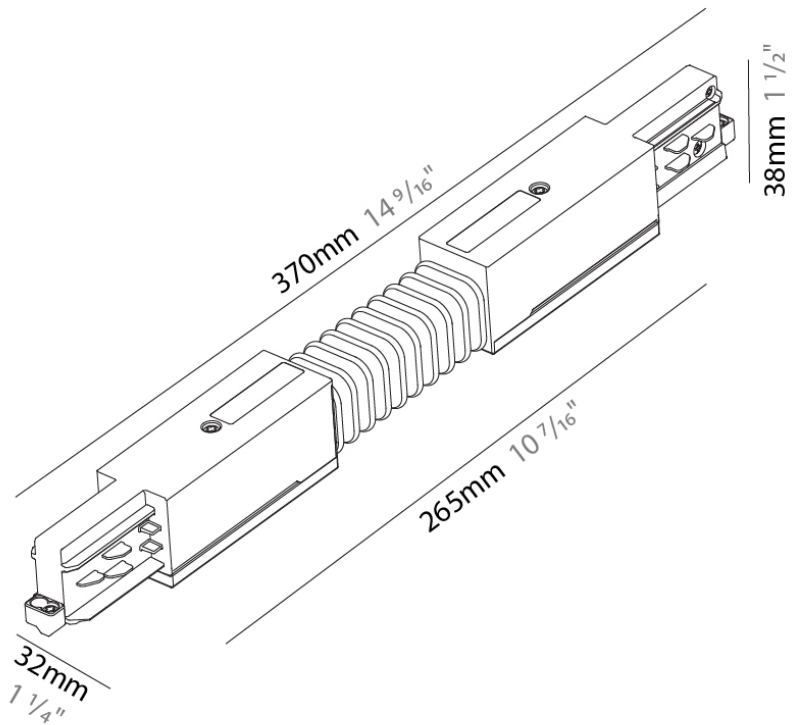
Fixture Finish: WHI / BLK / GRY

Fixture Material: Aluminum

RATINGS AND CERTIFICATIONS

Certified By: Certified for North American Standards

IP rating: IP20



A

PROJECT	
TYPE	
NOTES	
QUANTITY	
DATE	

A3T226- COMPONENTS TRACK

STR3400-

DESCRIPTION

Track - L-Connector, Outside Corner (Feedable) -

GENERAL

Partner: Prolight

Division: Architectural

Installation: Track

PHYSICAL

Length (mm): 143

Length (in): 5 ⁵/₈

Width (mm): 32

Width (in): 1 ¹/₄

Height (mm): 38

Height (in): 1 ¹/₂

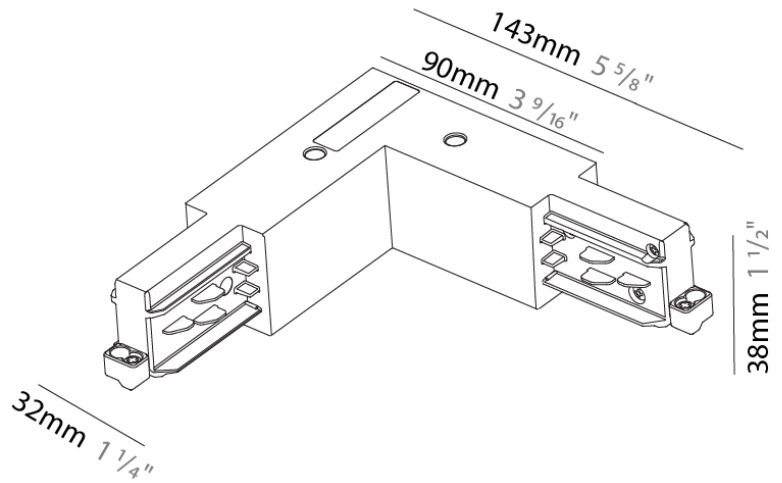
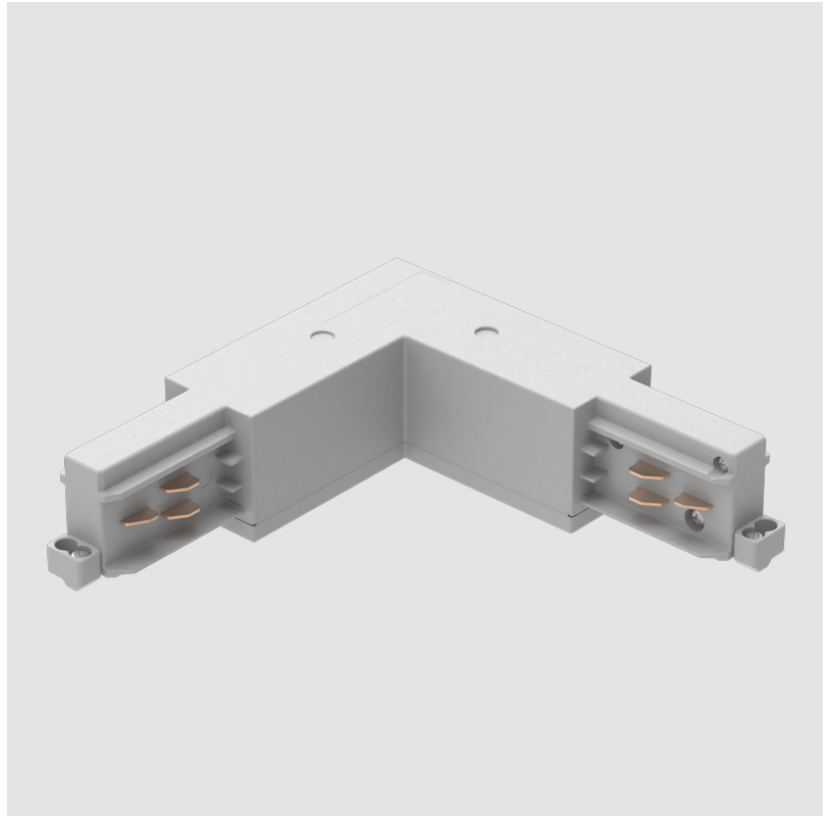
Fixture Finish: WHI / BLK / GRY

Fixture Material: Aluminum

RATINGS AND CERTIFICATIONS

Certified By: Certified for North American Standards

IP rating: IP20



PROJECT	
TYPE	
NOTES	
QUANTITY	
DATE	

A3T226- COMPONENTS TRACK

STR3500-

DESCRIPTION

Track - 3-Circuit L-Connector, Inside Corner (Feedable)

GENERAL

Partner: Prolicht

Division: Architectural

Installation: Track

PHYSICAL

Length (mm): 143

Length (in): 5 ⁵/₈

Width (mm): 32

Width (in): 1 ¹/₄

Height (mm): 38

Height (in): 1 ¹/₂

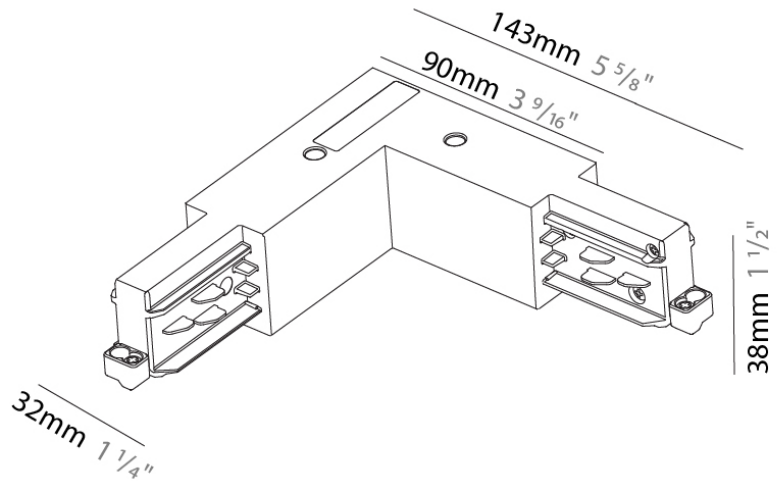
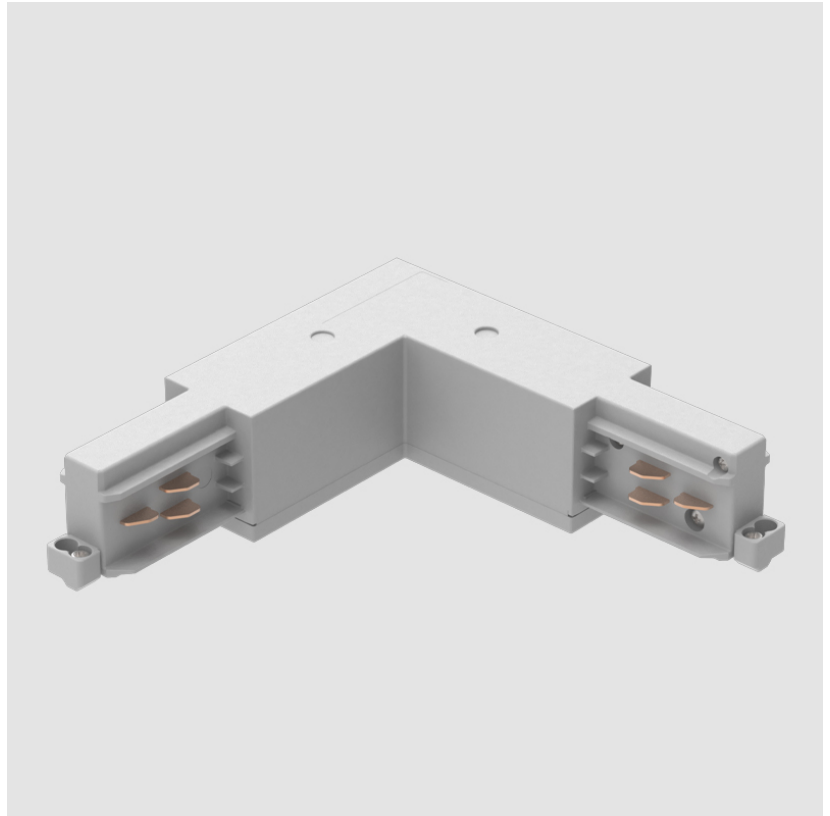
Fixture Finish: WHI / BLK / GRY

Fixture Material: Aluminum

RATINGS AND CERTIFICATIONS

Certified By: Certified for North American Standards

IP rating: IP20



A3T226- COMPONENTS TRACK

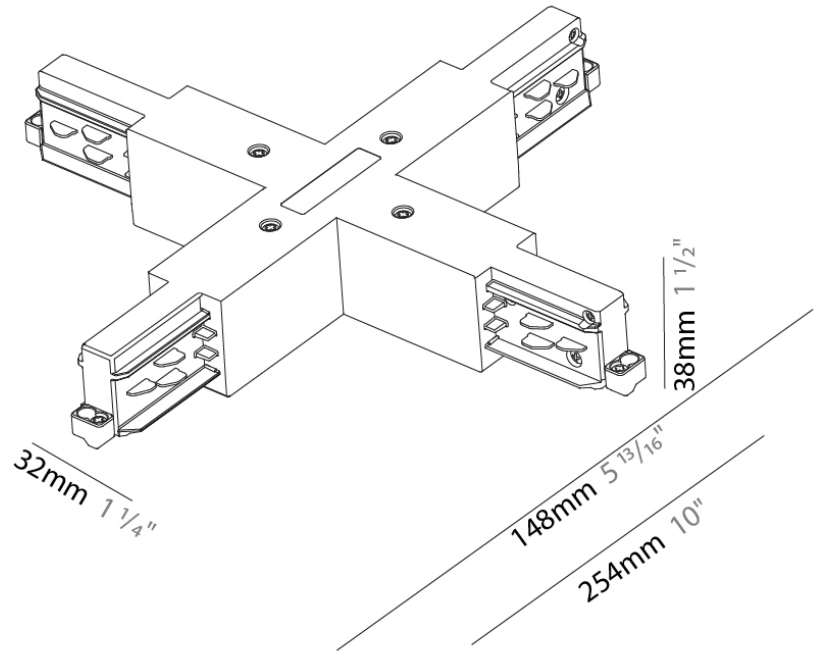
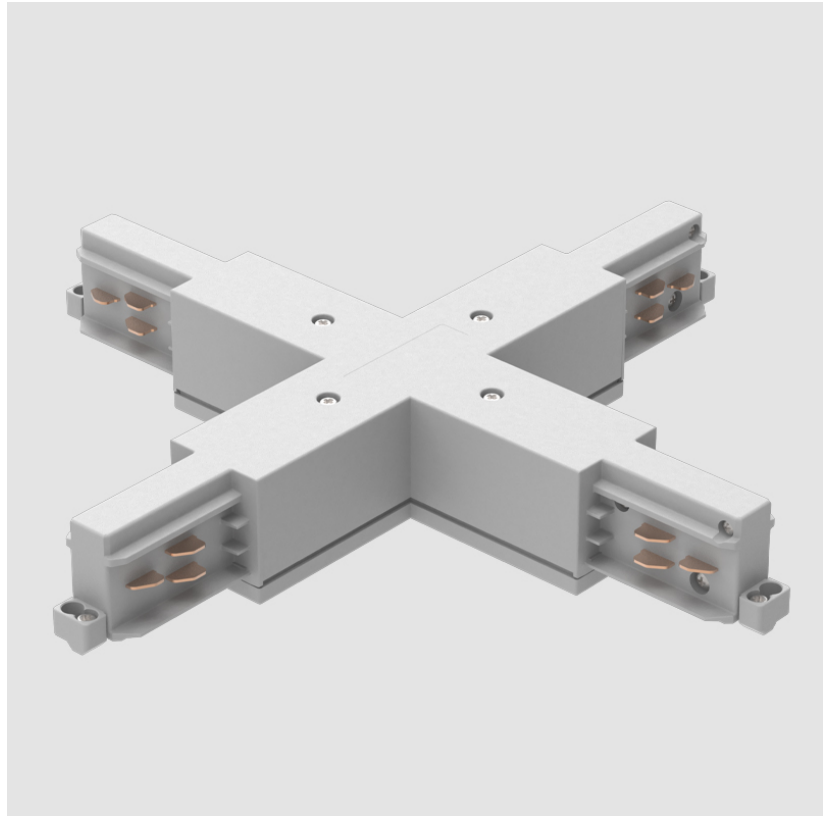
STR380-

DESCRIPTION
 Track - X-Connector (Feedable) - _____

GENERAL
 Partner: Prolicht _____
 Division: Architectural _____
 Installation: Track _____

PHYSICAL
 Length (mm): 148 _____
 Length (in): 5 ¹³/₁₆ _____
 Width (mm): 148 _____
 Width (in): 5 ¹³/₁₆ _____
 Height (mm): 38 _____
 Height (in): 1 ¹/₂ _____
 Fixture Finish: WHI / BLK / GRY _____
 Fixture Material: Aluminum _____

RATINGS AND CERTIFICATIONS
 Certified By: Certified for North American Standards _____
 IP rating: IP20 _____



PROJECT	
TYPE	
NOTES	
QUANTITY	
DATE	

A3T226- COMPONENTS TRACK

STR3900-

DESCRIPTION

Track - T-Connector, Inside (Feedable) -

GENERAL

Partner: Prolicht

Division: Architectural

Installation: Track

PHYSICAL

Length (mm): 254

Length (in): 10

Width (mm): 143

Width (in): 5 ¹³/₁₆

Height (mm): 38

Height (in): 1 ¹/₂

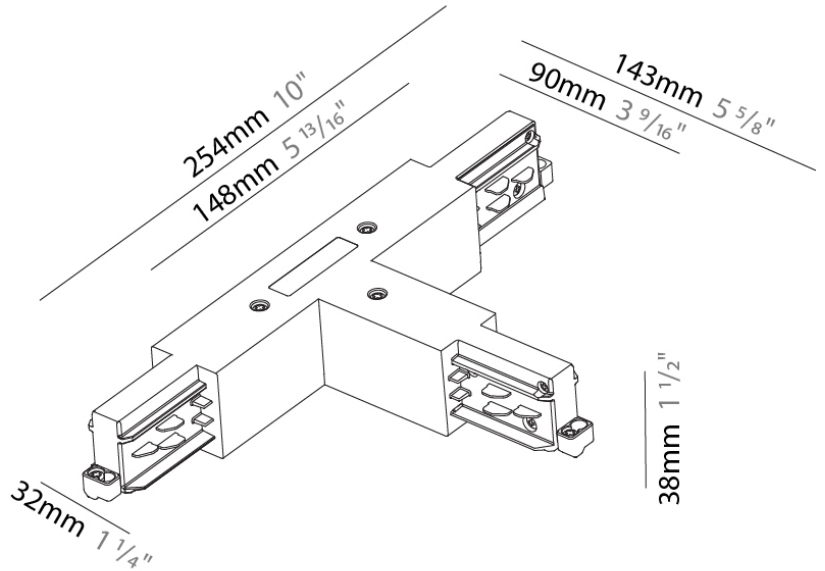
Fixture Finish: WHI / BLK / GRY

Fixture Material: Aluminum

RATINGS AND CERTIFICATIONS

Certified By: Certified for North American Standards

IP rating: IP20



PROJECT	
TYPE	
NOTES	
QUANTITY	
DATE	

A3T226- COMPONENTS TRACK

STR40001-

DESCRIPTION

Track - T-Connector, Outside (Feedable) -

GENERAL

Partner: Prolight

Division: Architectural

Installation: Track

PHYSICAL

Length (mm): 254

Length (in): 10

Width (mm): 143

Width (in): 5 ⁵/₈

Height (mm): 38

Height (in): 1 ¹/₂

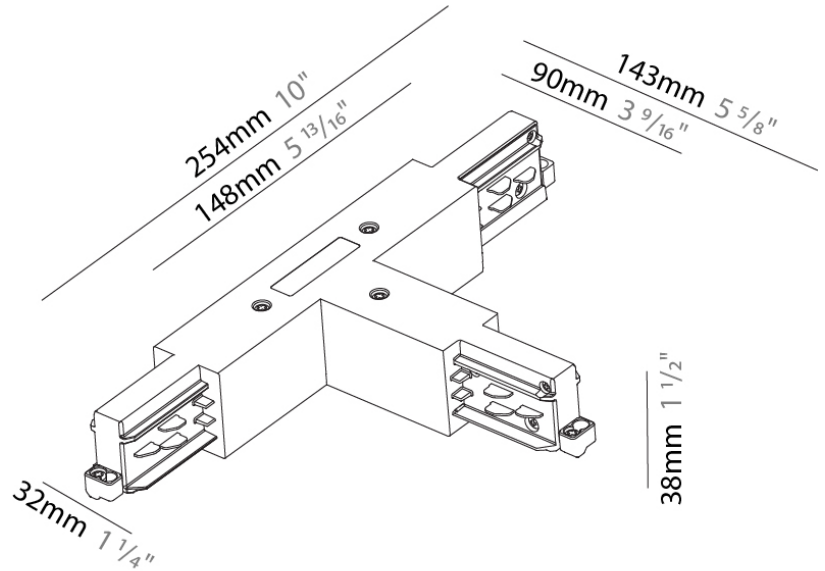
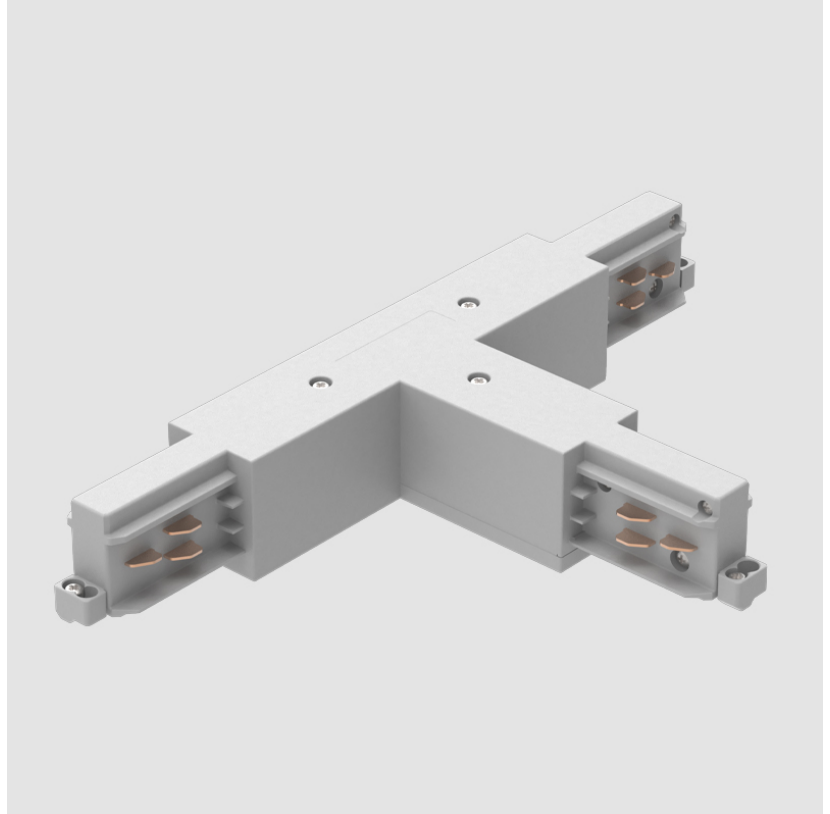
Fixture Finish: WHI / BLK / GRY

Fixture Material: Aluminum

RATINGS AND CERTIFICATIONS

Certified By: Certified for North American Standards

IP rating: IP20



A3T226- COMPONENTS TRACK

PROJECT	
TYPE	
NOTES	
QUANTITY	
DATE	

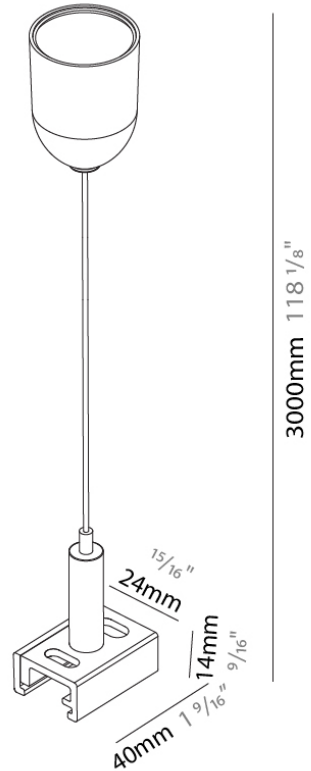
STR510-

DESCRIPTION
Track - Suspension Cable Kit 3000mm -

GENERAL
Partner: Prolight
Division: Architectural
Installation: Track

PHYSICAL
Fixture Finish: WHI / BLK / GRY
Fixture Material: Aluminum

RATINGS AND CERTIFICATIONS
Certified By: Certified for North American Standards
IP rating: IP20



A3T226- COMPONENTS TRACK

STR512-

DESCRIPTION

Track - Ceiling Mounting Bracket

GENERAL

Partner: Prolight

Division: Architectural

Installation: Track

PHYSICAL

Length (mm): 40

Length (in): $1 \frac{9}{16}$

Width (mm): 24

Width (in): $15/16$

Height (mm): 14

Height (in): $9/16$

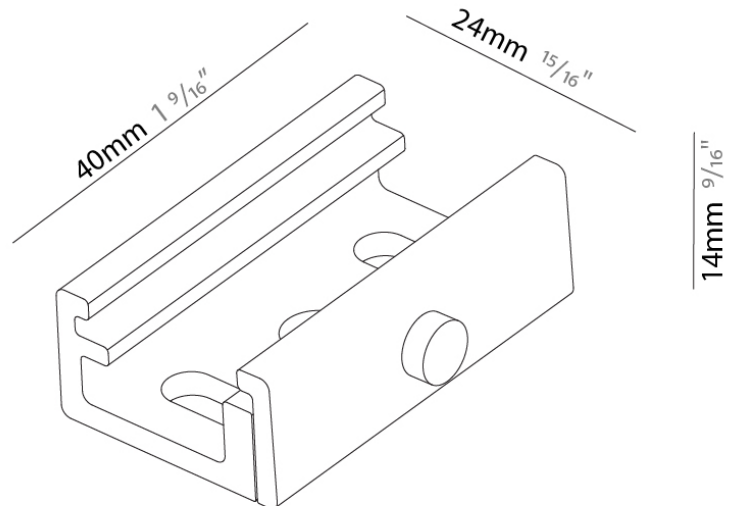
Fixture Finish: WHI / BLK

Fixture Material: Aluminum

RATINGS AND CERTIFICATIONS

Certified By: Certified for North American Standards

IP rating: IP20



A3T226- COMPONENTS TRACK

STR521-

DESCRIPTION

Track - Stem and canopy kit 1000mm

GENERAL

Partner: Prolight

Division: Architectural

Installation: Track

PHYSICAL

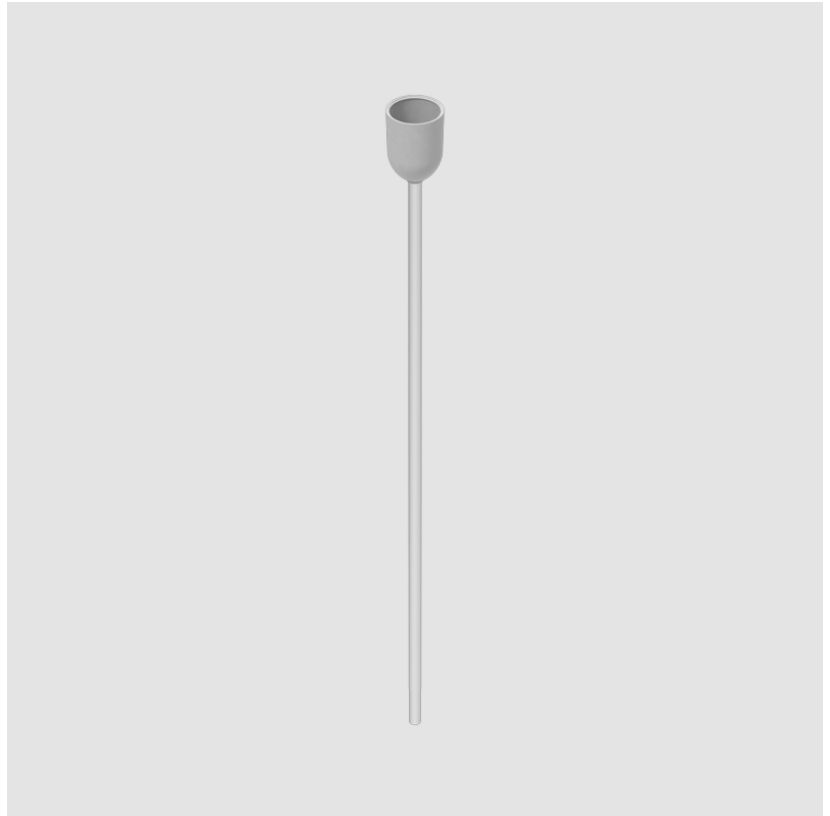
Fixture Finish: WHI / BLK

Fixture Material: Aluminum

RATINGS AND CERTIFICATIONS

Certified By: Certified for North American Standards

IP rating: IP20



PROJECT	
TYPE	
NOTES	
QUANTITY	
DATE	

A3T226- COMPONENTS TRACK

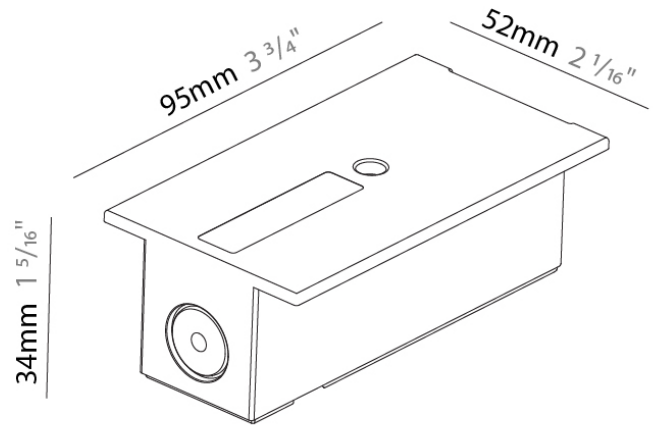
STR9001R-

DESCRIPTION
Track - Cover End Power Supply

GENERAL
Partner: Prolight
Division: Architectural
Installation: Track

PHYSICAL
Length (mm): 95
Length (in): 3 3/4
Width (mm): 52
Width (in): 2 1/16
Height (mm): 34
Height (in): 1 5/16
Fixture Finish: WHI / BLK / GRY
Fixture Material: Aluminum

RATINGS AND CERTIFICATIONS
IP rating: IP20



PROJECT	
TYPE	
NOTES	
QUANTITY	
DATE	

A3T226- COMPONENTS TRACK

STR9010R-

DESCRIPTION

Track - Cover Mid Power Supply

GENERAL

Partner: Prolight

Division: Architectural

Installation: Track

PHYSICAL

Length (mm): 148

Length (in): 5 ¹³/₁₆

Width (mm): 52

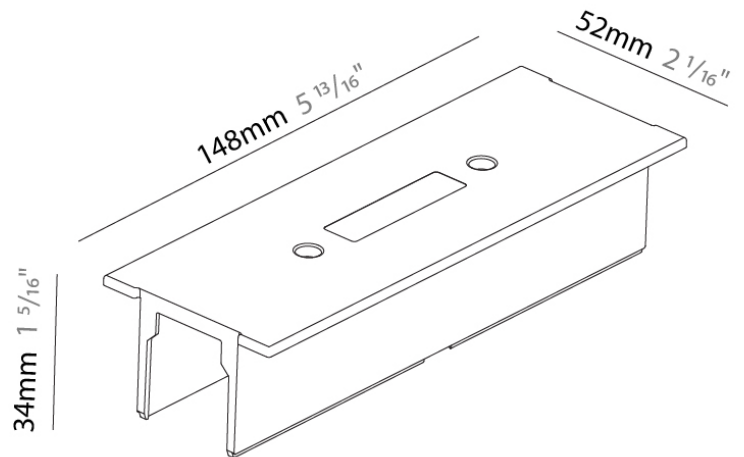
Width (in): 2 ¹/₁₆

Height (mm): 34

Height (in): 1 ⁵/₁₆

Fixture Finish: WHI / BLK / GRY

Fixture Material: Aluminum



A3T226- COMPONENTS TRACK

STR9011R-

DESCRIPTION

Track - Cover Corner Connector

GENERAL

Partner: Prolight

Division: Architectural

Installation: Track

PHYSICAL

Length (mm): 100

Length (in): 3 ¹⁵/₁₆"

Width (mm): 100

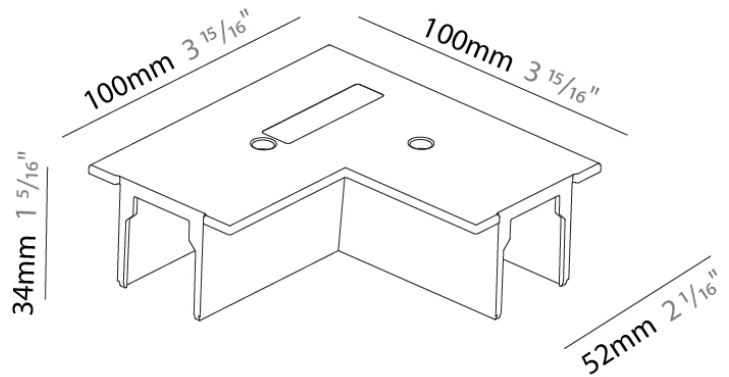
Width (in): 3 ¹⁵/₁₆"

Height (mm): 34

Height (in): 1 ⁵/₁₆"

Fixture Finish: WHI / BLK / GRY

Fixture Material: Aluminum



A3T226- COMPONENTS TRACK

PROJECT _____

TYPE _____

NOTES _____

QUANTITY _____

DATE _____

STR9013R-

DESCRIPTION

Track - Cover T-Connector

GENERAL

Partner: Prolicht

Division: Architectural

Installation: Track

PHYSICAL

Length (mm): 148

Length (in): 5 ¹³/₁₆

Width (mm): 100

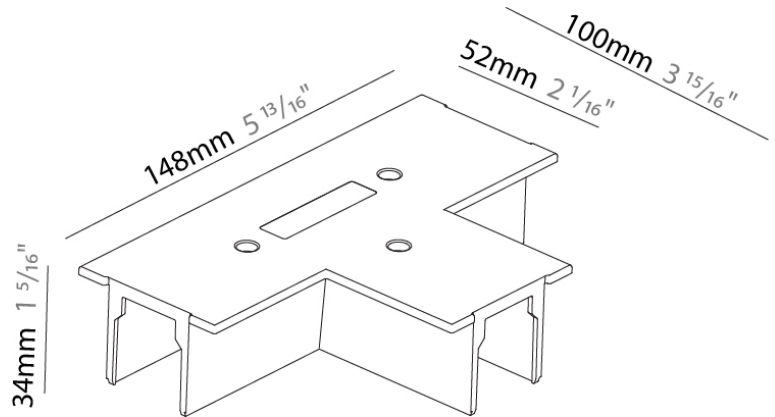
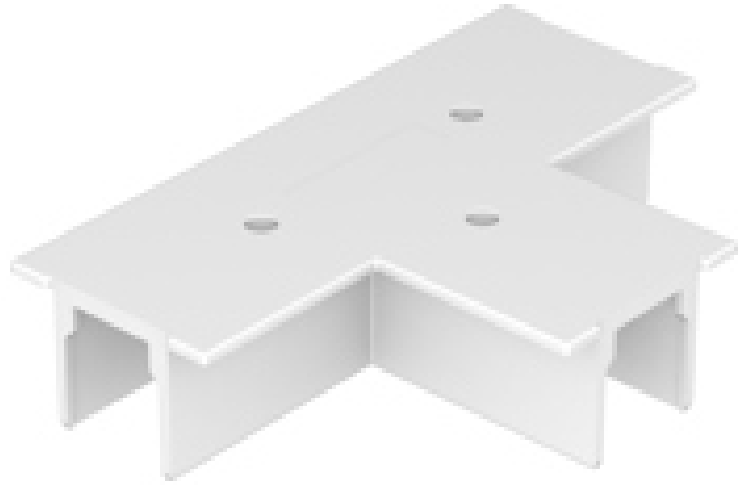
Width (in): 3 ¹⁵/₁₆

Height (mm): 34

Height (in): 1 ⁵/₁₆

Fixture Finish: WHI / BLK / GRY

Fixture Material: Aluminum



A

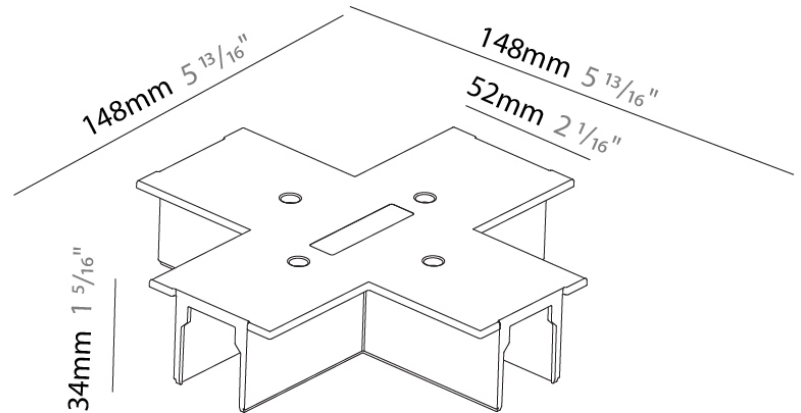
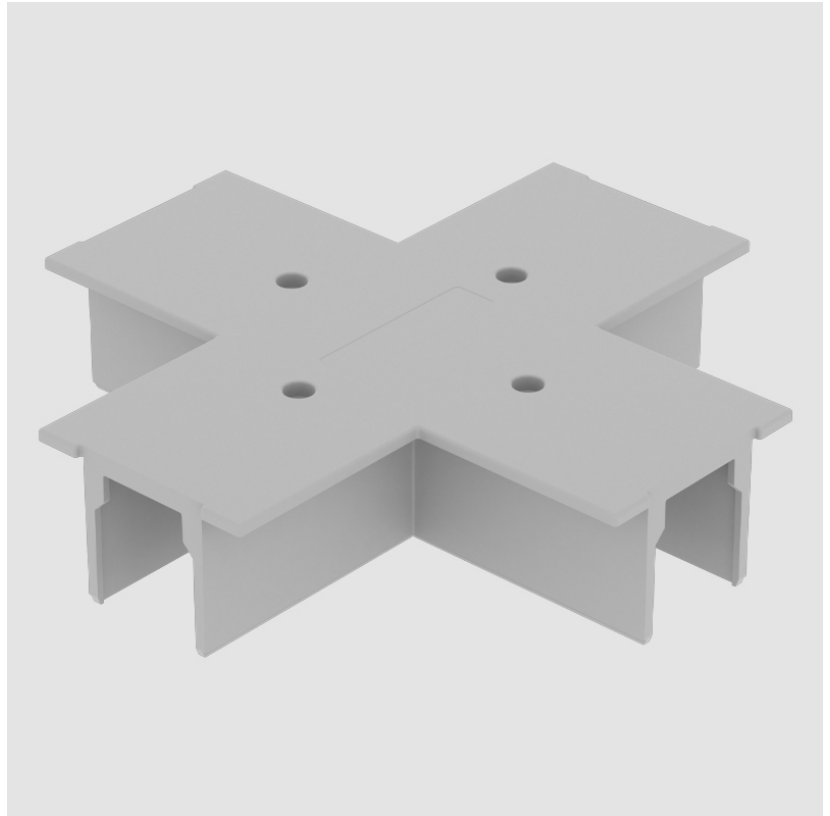
A3T226- COMPONENTS TRACK

STR9017R-

DESCRIPTION
 Track - Cover Cross Connector

GENERAL
 Partner: Prolicht
 Division: Architectural
 Installation: Track

PHYSICAL
 Length (mm): 148
 Length (in): 5 ¹³/₁₆"
 Width (mm): 148
 Width (in): 5 ¹³/₁₆"
 Height (mm): 34
 Height (in): 1 ⁵/₁₆"
 Fixture Finish: WHI / BLK / GRY
 Fixture Material: Aluminum



A3T226- COMPONENTS SURFACE

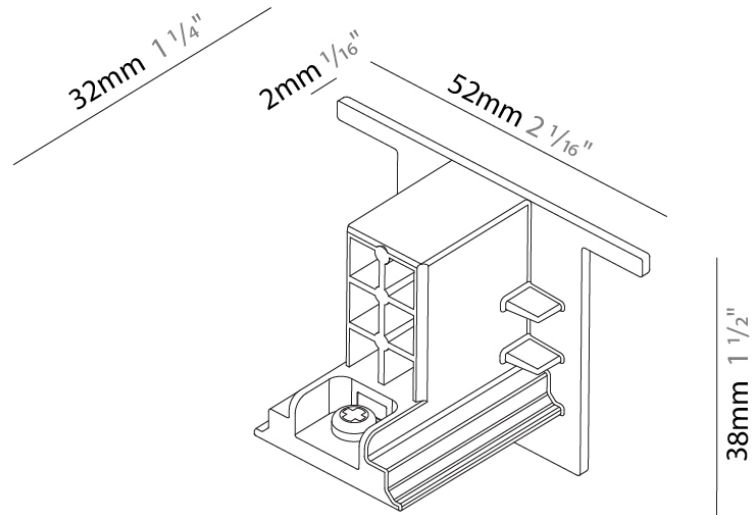
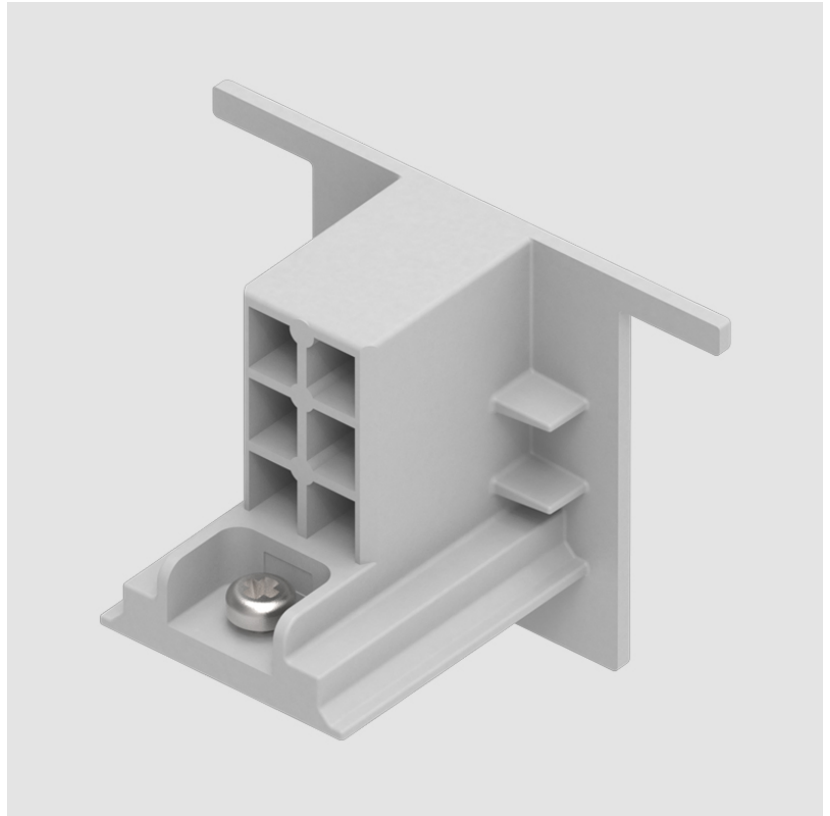
STRR4100-

DESCRIPTION
 Track - Recessed - End Cap

GENERAL
 Partner: Prolicht
 Division: Architectural
 Installation: Surface

PHYSICAL
 Length (mm): 32
 Length (in): 1 ¼
 Width (mm): 32
 Width (in): 1 ¼
 Height (mm): 38
 Height (in): 1 ½
 Fixture Finish: WHI / BLK / GRY
 Fixture Material: Aluminum

RATINGS AND CERTIFICATIONS
 Certified By: Certified for North American Standards
 IP rating: IP20



A3T226- COMPONENTS TRACK

STRR4400-

DESCRIPTION

Track - 4' Recessed Track 3-Circuit - 120V

GENERAL

Partner: Prolight

Division: Architectural

Installation: Track

PHYSICAL

Shape: Rectangle

Length (mm): 1219

Length (in): 48

Width (mm): 32

Width (in): 1 1/4

Height (mm): 38

Height (in): 1 1/2

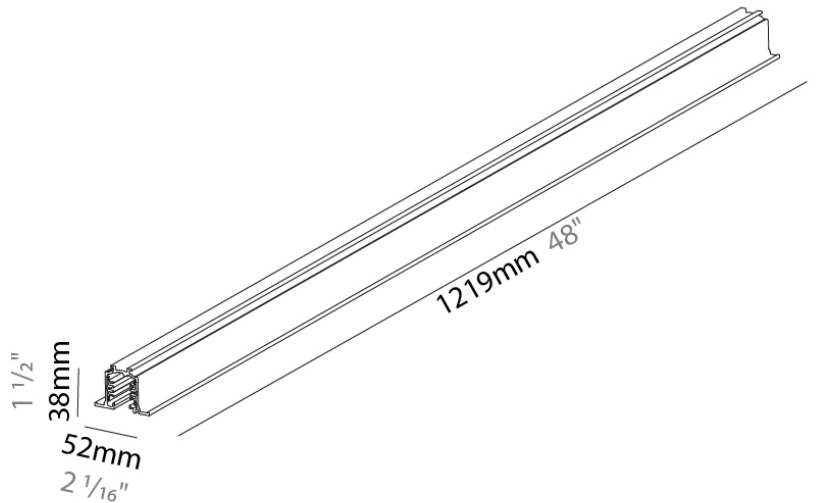
Fixture Finish: WHI / BLK / GRY

Fixture Material: Aluminum

RATINGS AND CERTIFICATIONS

Certified By: Certified for North American Standards

IP rating: IP20



A3T226- COMPONENTS TRACK

STRR4800-

DESCRIPTION

Track - 8' Recessed Track 3-Circuit - 120V

GENERAL

Partner: Prolight

Division: Architectural

Installation: Track

PHYSICAL

Shape: Rectangle

Length (mm): 2438

Length (in): 96

Width (mm): 32

Width (in): 1 1/4

Height (mm): 38

Height (in): 1 1/2

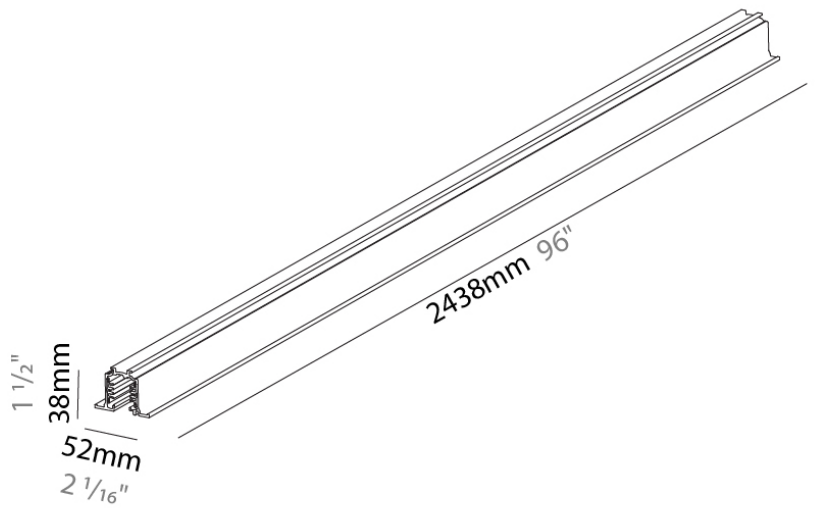
Fixture Finish: WHI / BLK / GRY

Fixture Material: Aluminum

RATINGS AND CERTIFICATIONS

Certified By: Certified for North American Standards

IP rating: IP20



A3T226- COMPONENTS SURFACE

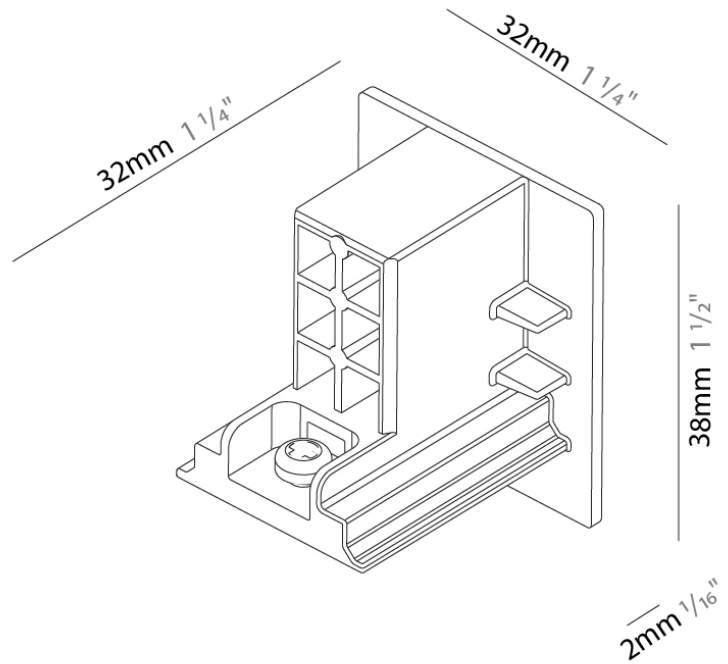
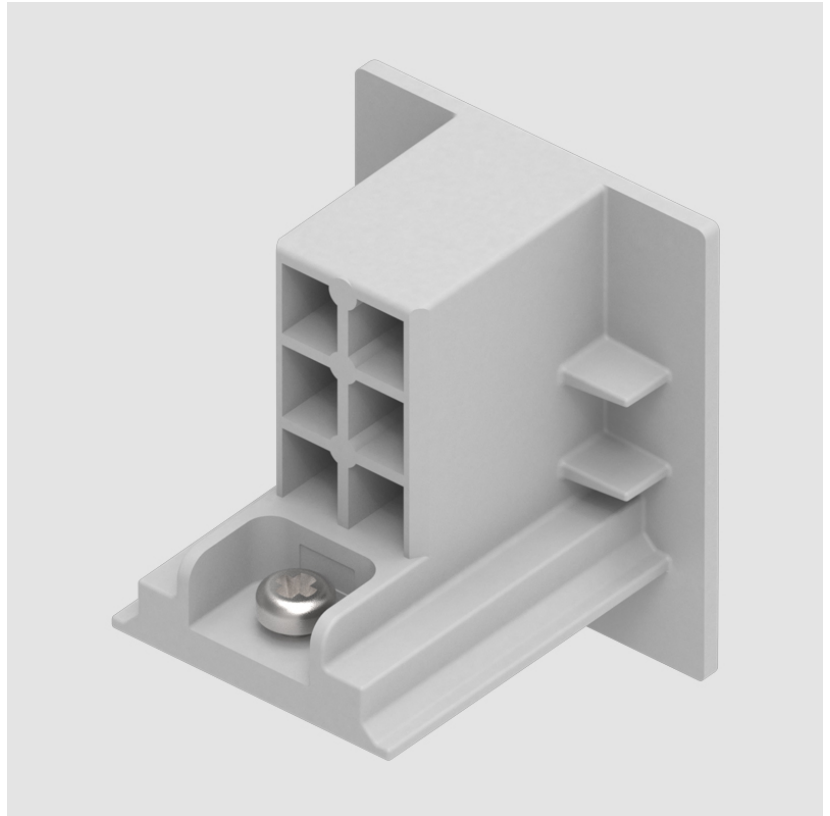
STRS4100-

DESCRIPTION
 Track - Surface - End Cap

GENERAL
 Partner: Prolicht
 Division: Architectural
 Installation: Surface

PHYSICAL
 Length (mm): 32
 Length (in): 1 ¼
 Width (mm): 32
 Width (in): 1 ¼
 Height (mm): 38
 Height (in): 1 ½
 Fixture Finish: WHI / BLK / GRY
 Fixture Material: Aluminum

RATINGS AND CERTIFICATIONS
 Certified By: Certified for North American Standards
 IP rating: IP20



A3T226- COMPONENTS TRACK

STRS4800-

DESCRIPTION

Track - 8' Surface Mount 3-Circuit Track - 120V

GENERAL

Partner: Prolicht

Division: Architectural

Installation: Track

PHYSICAL

Shape: Rectangle

Length (mm): 2438

Length (in): 96"

Width (mm): 32

Width (in): 1 1/4"

Height (mm): 38

Height (in): 1 1/2"

Fixture Finish: WHI / BLK / GRY

Fixture Material: Aluminum

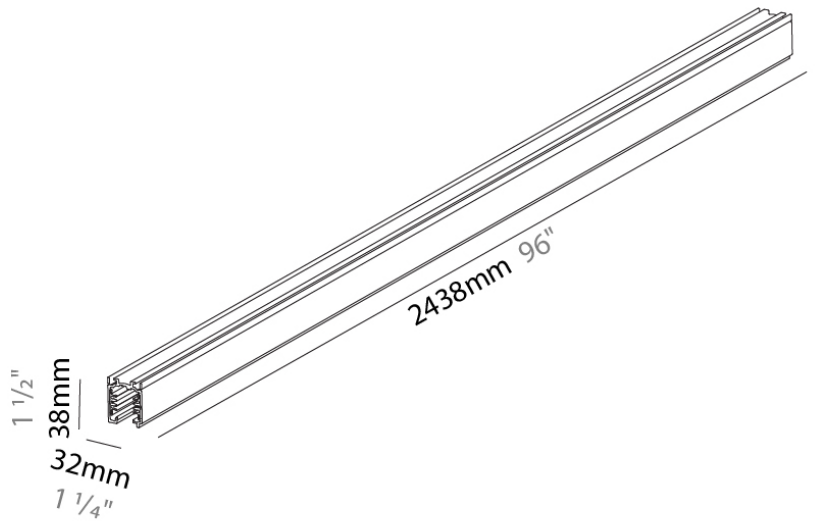
ELECTRICAL

Driver Included: No

RATINGS AND CERTIFICATIONS

Certified By: Certified for North American Standards

IP rating: IP20



A3T226- COMPONENTS TRACK

STRV120

DESCRIPTION

Cutting Tool for Track Conductors

GENERAL

Partner: Prolight

Division: Architectural

Installation: Track

PHYSICAL

Length (mm): 245

Length (in): 9 ⁵/₈"

Height (mm): 58

Height (in): 2 ⁵/₁₆"

Fixture Material: Aluminum

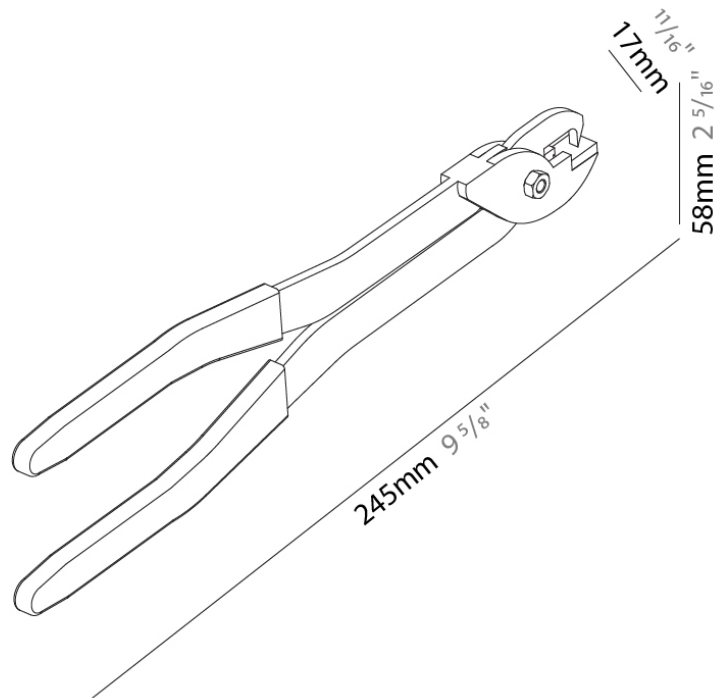
ELECTRICAL

Driver Included: No

RATINGS AND CERTIFICATIONS

Certified By: Certified for North American Standards

IP rating: IP20



A

LEGEND

	floor-mounted		pivotable		special LED (upon request) RGB, RGBW, tunable, gold+, meat+, art+, fashion+
	wall and ceiling: recessed and surface mounted		rotating		warm dim / natural dimming LED
	ceiling-mounted and wall-mounted		illuminate tilted		rechargeable battery powered
	wall-mounted		color of suspension cable		fixture with natural vivid LED (upon request)
	omni-directional light distribution		length of suspension cable		color rendering index
	direct light distribution		reflector degree selection		color temperature
	direct/indirect light distribution		super spot		lumen (luminous flux)
	indirect light distribution		lens		efficacy (lumens per watt)
	asymmetric light distribution		lens pack		Unified Glare Rating (UGR) range from 5-40
	aura light distribution		shine ring		marine grade (AISI 316 stainless steel)
	round wall or ceiling cut-out		integrated shine ring with diffuser		walk on
	square wall or ceiling cut-out		free individual colors 01-29		drive on
	the supplied jig specifies the cutout dimensions		individual colors: 00 (free of charge), 01-25 (extra charge)		Dark Sky Compliance
	minimum distance (meters) lamp - object		luminaire part to be colored (F1)		Americans with Disabilities Act (less than 4" off the wall located between 27"-84" from floor)
	recessed depth		luminaire part to be colored (F2)		lamp protected against explosion
	ceiling thickness in mm		luminaire part to be colored (F3)		blown glass using traditional methods by master glass blower
	ceiling thickness selection		luminaire part to be colored (F4)		acoustic material
	dimmable DP (phase), DV (0-10V), DD (dali), DS (step-dim)		luminaire part to be colored (F5)		protection class I, protection insulation
	included or excluded LED driver/transformer/control gear		color of 3-circuit adaptor		protection class II, protection insulation
	separately switchable		indirect diffuser		ETL Certified to UL and CSA Standards
	sensor		direct diffuser		UL Certified to UL and CSA Standards
	remote control		ball-proof (upon request)		CSA Certified to UL and CSA Standards
	available upon request		accessory		Certified for North American Standards

IP RATING

	protected against ingress of solid bodies greater than 12.5mm (finger)
	protected against ingress of solid bodies greater than 2.5mm protected against sprays of water up to 60 degrees from the vertical (rain)
	protected against ingress of solid bodies greater than 1mm (wire) no protection against the ingress of moisture
	protected against ingress of solid bodies greater than 1mm (wire) protected against sprays of water up to 60 degrees from the vertical (rain)
	protected against ingress of solid bodies greater than 1mm (wire) protected against water splashed from all directions
	protected against limited ingress of dust (wet rooms/covered outdoor areas) protected against water splashed from all directions
	protected against ingress of dust protected against jets of water
	protected against ingress of dust protected against powerful jets of water or heavy seas
	protected against ingress of dust protected against immersion of water between 15cm - 1m for 30 minutes
	protected against ingress of dust protected against immersion of water under pressure for long periods

IK RATING

	protected against 0.14 joules impact (equivalent to 0.25kg mass dropped from 56mm above the surface)
	protected against 0.2 joules impact (equivalent to 0.25kg mass dropped from 80mm above the surface)
	protected against 0.35 joules impact (equivalent to 0.25kg mass dropped from 140mm above the surface)
	protected against 0.5 joules impact (equivalent to 0.25kg mass dropped from 200mm above the surface)
	protected against 0.7 joules impact (equivalent to 0.25kg mass dropped from 280mm above the surface)
	protected against 1 joules impact (equivalent to 0.25kg mass dropped from 400mm above the surface)
	protected against 2 joules impact (equivalent to 0.5kg mass dropped from 400mm above the surface)
	protected against 5 joules impact (equivalent to 1.7kg mass dropped from 300mm above the surface)
	protected against 10 joules impact (equivalent to 5.0kg mass dropped from 200mm above the surface)
	protected against 20 joules impact (equivalent to 5.0kg mass dropped from 400mm above the surface)