

A535LIN-MOD-SYS COMPONENTS SUSPENSION

A51023-

DESCRIPTION

35 Linear - Suspension - Master Linear Element - 500mm / 19 11/16" - 15W LED (5W 120° Up + 10W 240° Down) - 2700K / 3000K / 4000K

GENERAL

Series: 35 Linear
 Subseries: 35 Linear Modular System
 Brand: Ivela
 Division: Architectural
 Mounting Type: Suspension
 Mounting Location: Ceiling
 Subcategory: Profile

PHYSICAL

Shape: Cylinder
 Diameter (mm): 35
 Diameter (in): 1 3/8
 Length (mm): 500
 Length (in): 19 11/16
 Light Distribution: Omnidirectional
 Diffuser: Polycarbonate - Opal
 Fixture Finish: ANB / WHI
 Fixture Material: Aluminum / Polycarbonate
 Upon Request: Smoked Polycarbonate Diffuser

ELECTRICAL

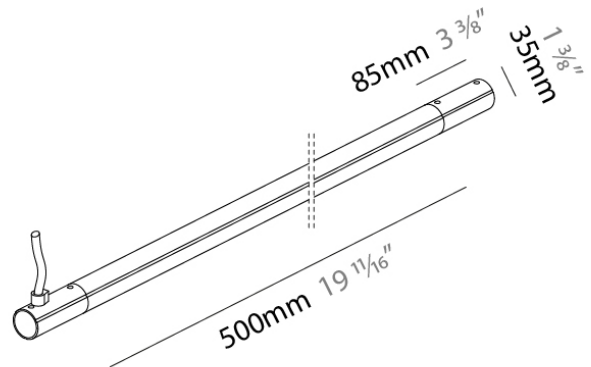
Input Wattage Range: 10 - 19 W
 Lamp Type: LED
 Input Wattage (W): 16.7
 Total Output Wattage (W): 15
 Dimming: Non-Dimmable / 0-10V Dimming
 Driver Included: No
 Driver Location: Remote
 Driver Type: Constant Voltage - Universal
 Driver Class: Class 2
 Input Voltage (V): 120 - 277
 Output Voltage (V): 48
 Upon Request: 2 Circuits

LED

Delivered Lumen Range: 500 - 1999 lm
 Color Temperature (°K): 2700 / 3000 / 4000
 Max. Delivered Lumen (lm): 879 / 921 / 966
 Nominal Lumen (lm): 1575 / 1660 / 1725
 CRI: >90 CRI
 Lamp Life (hrs): 50000

RATINGS AND CERTIFICATIONS

Certified By: Certified for North American Standards
 IP rating: IP20
 Glare Rating: ≤ 16



A535LIN-MOD-SYS COMPONENTS SUSPENSION

A51024-

DESCRIPTION

35 Linear - Suspension - Master Linear Element - 1500mm / 59 1/16" - 50W LED (16.6W 120° Up + 33.3W 240° Down) - 2700K / 3000K

GENERAL

Series: 35 Linear
 Subseries: 35 Linear Modular System
 Brand: Ivela
 Division: Architectural
 Mounting Type: Suspension
 Mounting Location: Ceiling
 Subcategory: Profile

PHYSICAL

Shape: Cylinder
 Diameter (mm): 35
 Diameter (in): 1 3/8
 Length (mm): 1500
 Length (in): 59 1/16
 Light Distribution: Omnidirectional
 Diffuser: Polycarbonate - Opal
 Fixture Finish: ANB / WHI
 Fixture Material: Aluminum / Polycarbonate
 Upon Request: Smoked Polycarbonate Diffuser

ELECTRICAL

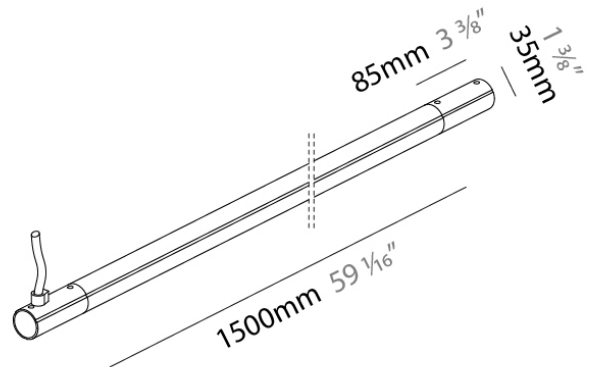
Input Wattage Range: 50 - 79 W
 Lamp Type: LED
 Input Wattage (W): 50
 Total Output Wattage (W): 45
 Dimming: Non-Dimmable / 0-10V Dimming
 Driver Included: No
 Driver Location: Remote
 Driver Type: Constant Voltage - Universal
 Driver Class: Class 2
 Input Voltage (V): 120 - 277
 Output Voltage (V): 48
 Upon Request: 2 Circuits

LED

Delivered Lumen Range: 2000 - 3999 lm
 Color Temperature (°K): 2700 / 3000
 Max. Delivered Lumen (lm): 2637 / 2763
 Nominal Lumen (lm): 4725 / 4950
 CRI: >90 CRI
 Lamp Life (hrs): 50000

RATINGS AND CERTIFICATIONS

Certified By: Certified for North American Standards
 IP rating: IP20
 Glare Rating: ≤ 16



A535LIN-MOD-SYS COMPONENTS SUSPENSION

A51025-

DESCRIPTION

35 Linear - Suspension - Master Linear Element - 3000mm / 118 1/8" - 100W LED (33.3W 120° Up + 66.6W 240° Down) - 2700K / 3000K / 4000K

GENERAL

Series: 35 Linear
 Subseries: 35 Linear Modular System
 Brand: Ivela
 Division: Architectural
 Mounting Type: Suspension
 Mounting Location: Ceiling
 Subcategory: Profile

PHYSICAL

Shape: Cylinder
 Diameter (mm): 35
 Diameter (in): 1 3/8
 Length (mm): 3000
 Length (in): 118 1/8
 Light Distribution: Omnidirectional
 Diffuser: Polycarbonate - Opal
 Fixture Finish: ANB / WHI
 Fixture Material: Aluminum / Polycarbonate
 Upon Request: Smoked Polycarbonate Diffuser

ELECTRICAL

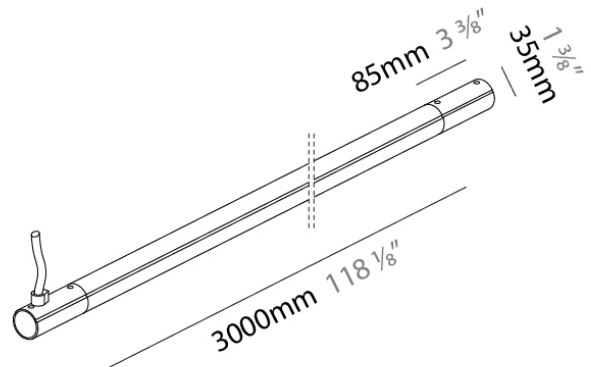
Input Wattage Range: 100 - 149 W
 Lamp Type: LED
 Input Wattage (W): 100
 Total Output Wattage (W): 90
 Dimming: Non-Dimmable / 0-10V Dimming
 Driver Included: No
 Driver Location: Remote
 Driver Type: Constant Voltage - Universal
 Driver Class: Class 2
 Input Voltage (V): 120 - 277
 Output Voltage (V): 48
 Upon Request: 2 Circuits

LED

Delivered Lumen Range: 5000 - 9999 lm
 Color Temperature (°K): 2700 / 3000 / 4000
 Max. Delivered Lumen (lm): 5275 / 5526 / 5796
 Nominal Lumen (lm): 9450 / 9900 / 10350
 CRI: >90 CRI
 Lamp Life (hrs): 50000

RATINGS AND CERTIFICATIONS

Certified By: Certified for North American Standards
 IP rating: IP20
 Glare Rating: ≤ 16



PROJECT
TYPE
NOTES
QUANTITY
DATE

A535LIN-MOD-SYS COMPONENTS SUSPENSION

A51026-

DESCRIPTION

35 Linear - Suspension - Continuous Linear Element - 500mm / 19 11/16" - 16.7W LED (5.6W 120° Up + 11.1W 240° Down) - 2700K / 3000K

GENERAL

Series: 35 Linear
 Subseries: 35 Linear Modular System
 Brand: Ivela
 Division: Architectural
 Mounting Type: Suspension
 Mounting Location: Ceiling
 Subcategory: Profile

PHYSICAL

Shape: Cylinder
 Diameter (mm): 35
 Diameter (in): 1 3/8
 Length (mm): 500
 Length (in): 19 11/16
 Light Distribution: Omnidirectional
 Diffuser: Polycarbonate - Opal
 Fixture Finish: ANB / WHI
 Fixture Material: Aluminum / Polycarbonate
 Upon Request: Smoked Polycarbonate Diffuser

ELECTRICAL

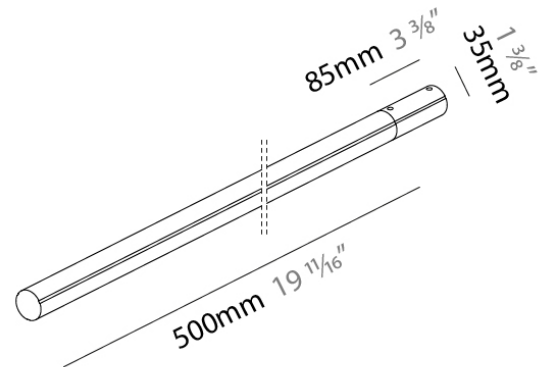
Input Wattage Range: 10 - 19 W
 Lamp Type: LED
 Input Wattage (W): 16.7
 Total Output Wattage (W): 15
 Dimming: Non-Dimmable / 0-10V Dimming
 Driver Included: No
 Driver Location: Remote
 Driver Type: Constant Voltage - Universal
 Driver Class: Class 2
 Input Voltage (V): 120 - 277
 Output Voltage (V): 48
 Upon Request: 2 Circuits

LED

Delivered Lumen Range: 500 - 1999 lm
 Color Temperature (°K): 2700 / 3000 / 4000
 Max. Delivered Lumen (lm): 879 / 921 / 966
 Nominal Lumen (lm): 1575 / 1660 / 1725
 CRI: >90 CRI
 Lamp Life (hrs): 50000

RATINGS AND CERTIFICATIONS

Certified By: Certified for North American Standards
 IP rating: IP20
 Glare Rating: ≤ 16



A535LIN-MOD-SYS COMPONENTS SUSPENSION

A51027-

DESCRIPTION

35 Linear - Suspension - Continuous Linear Element - 1500mm / 59 1/16" - 50W LED (16.6W 120° Up + 33.3W 240° Down) - 2700K / 3000K

GENERAL

Series: 35 Linear
 Subseries: 35 Linear Modular System
 Brand: Ivela
 Division: Architectural
 Mounting Type: Suspension
 Mounting Location: Ceiling
 Subcategory: Profile

PHYSICAL

Shape: Cylinder
 Diameter (mm): 35
 Diameter (in): 1 3/8
 Length (mm): 1500
 Length (in): 59 1/16
 Light Distribution: Omnidirectional
 Diffuser: Polycarbonate - Opal
 Fixture Finish: ANB / WHI
 Fixture Material: Aluminum / Polycarbonate
 Upon Request: Smoked Polycarbonate Diffuser

ELECTRICAL

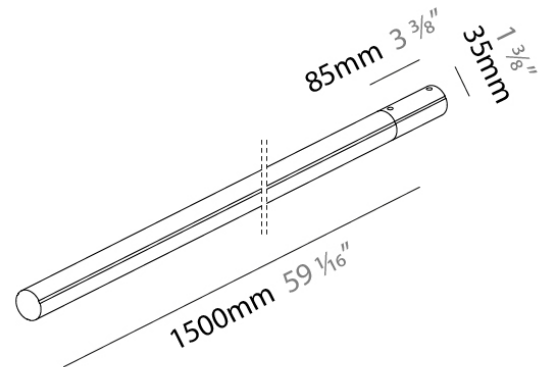
Input Wattage Range: 50 - 79 W
 Lamp Type: LED
 Input Wattage (W): 50
 Total Output Wattage (W): 45
 Dimming: Non-Dimmable / 0-10V Dimming
 Driver Included: No
 Driver Location: Remote
 Driver Type: Constant Voltage - Universal
 Driver Class: Class 2
 Input Voltage (V): 120 - 277
 Output Voltage (V): 48
 Upon Request: 2 Circuits

LED

Delivered Lumen Range: 2000 - 3999 lm
 Color Temperature (°K): 2700 / 3000
 Max. Delivered Lumen (lm): 2637 / 2763
 Nominal Lumen (lm): 4725 / 4950
 CRI: >90 CRI
 Lamp Life (hrs): 50000

RATINGS AND CERTIFICATIONS

Certified By: Certified for North American Standards
 IP rating: IP20
 Glare Rating: ≤ 16



A535LIN-MOD-SYS COMPONENTS SUSPENSION

A51028-

DESCRIPTION

35 Linear - Suspension - Continuous Linear Element - 3000mm / 118 1/8" - 100W LED (33.3W 120° Up + 66.6W 240° Down) - 2700K / 3000K / 4000K

GENERAL

Series: 35 Linear
 Subseries: 35 Linear Modular System
 Brand: Ivela
 Division: Architectural
 Mounting Type: Suspension
 Mounting Location: Ceiling
 Subcategory: Profile

PHYSICAL

Shape: Cylinder
 Diameter (mm): 35
 Diameter (in): 1 3/8
 Length (mm): 3000
 Length (in): 118 1/8
 Light Distribution: Omnidirectional
 Diffuser: Polycarbonate - Opal
 Fixture Finish: ANB / WHI
 Fixture Material: Aluminum / Polycarbonate
 Upon Request: Smoked Polycarbonate Diffuser

ELECTRICAL

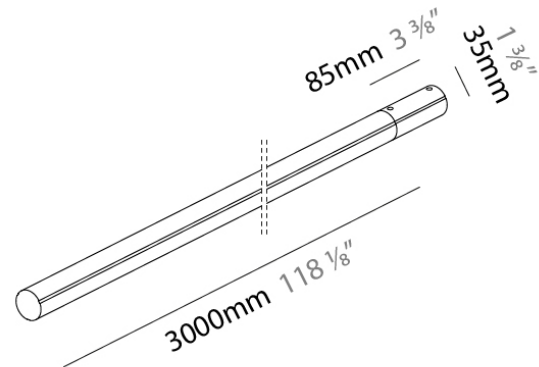
Input Wattage Range: 100 - 149 W
 Lamp Type: LED
 Input Wattage (W): 100
 Total Output Wattage (W): 90
 Dimming: Non-Dimmable / 0-10V Dimming
 Driver Included: No
 Driver Location: Remote
 Driver Type: Constant Voltage - Universal
 Driver Class: Class 2
 Input Voltage (V): 120 - 277
 Output Voltage (V): 48
 Upon Request: 2 Circuits

LED

Delivered Lumen Range: 5000 - 9999 lm
 Color Temperature (°K): 2700 / 3000 / 4000
 Max. Delivered Lumen (lm): 5275 / 5526 / 5796
 Nominal Lumen (lm): 9450 / 9900 / 10350
 CRI: >90 CRI
 Lamp Life (hrs): 50000

RATINGS AND CERTIFICATIONS

Certified By: Certified for North American Standards
 IP rating: IP20
 Glare Rating: ≤ 16



A535LIN-MOD-SYS COMPONENTS

A5906500

DESCRIPTION

Honeycomb Diffuser for 35 Linear System - Nanoperfetto Spot

GENERAL

Series: 35 Linear

Subseries: 35 Linear Modular System

Brand: Ivela

Division: Architectural

PHYSICAL

Shape: Round

Diameter (mm): 27

Diameter (in): 1 $\frac{1}{16}$

Width (mm): 4

Width (in): 0 $\frac{3}{16}$

Light Distribution: Direct

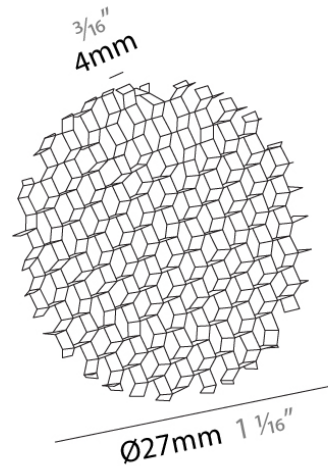
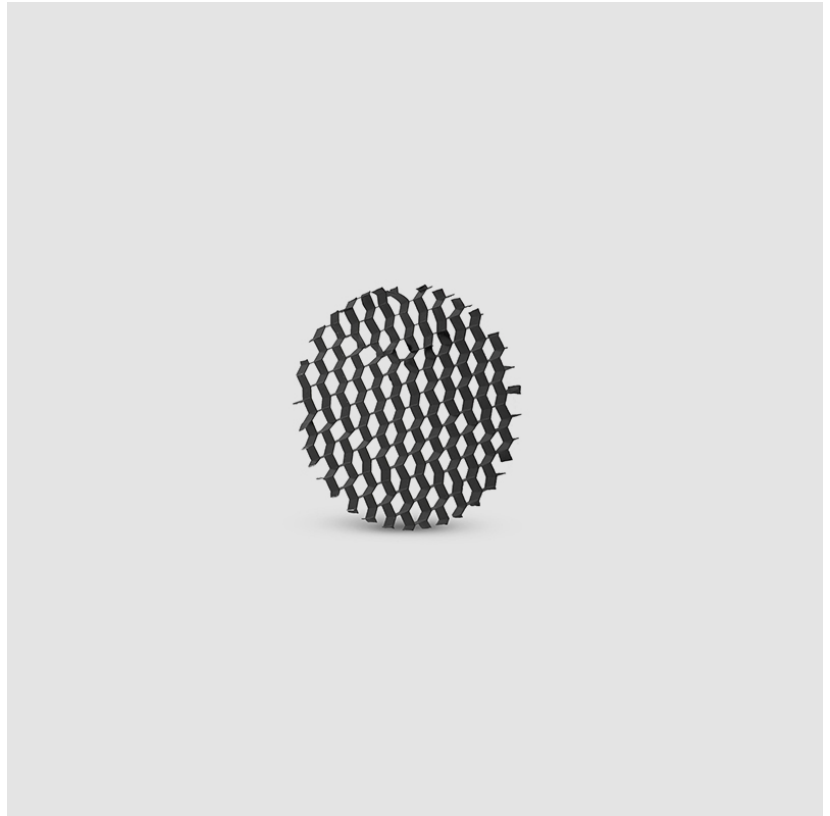
Fixture Finish: BLK

Fixture Material: Thermoplastic

RATINGS AND CERTIFICATIONS

Certified By: CSA Certified to UL and CSA Standards

IP rating: IP43



A535LIN-MOD-SYS COMPONENTS

A59093-

DESCRIPTION

35 Linear - Flexible Connector

GENERAL

Series: 35 Linear

Subseries: 35 Linear Modular System

Brand: Ivela

Division: Architectural

PHYSICAL

Diameter (mm): 35

Diameter (in): 1 3/8

Length (mm): 85

Length (in): 3 3/8

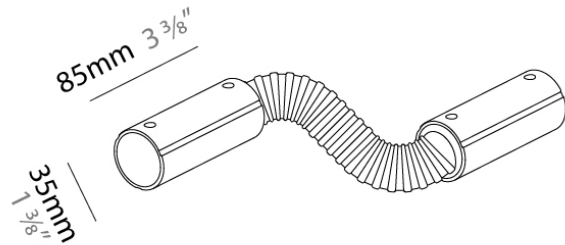
Fixture Finish: BLK / MWH

Fixture Material: Aluminum

RATINGS AND CERTIFICATIONS

Certified By: Certified for North American Standards

IP rating: IP20



A535LIN-MOD-SYS COMPONENTS

PROJECT
TYPE
NOTES
QUANTITY
DATE

A5909600

DESCRIPTION

Linear 35 - Suspension kit 3000mm / 118 1/8" Cable

GENERAL

Series: 35 Linear

Subseries: 35 Linear Modular System

Brand: Ivela

Division: Architectural

PHYSICAL

Height (mm): 34

Height (in): 1 5/16

Weight (kg): 1 kg

ELECTRICAL

Input Wattage (W): 26W

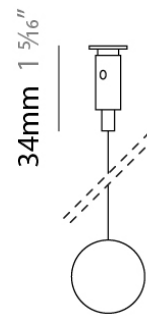
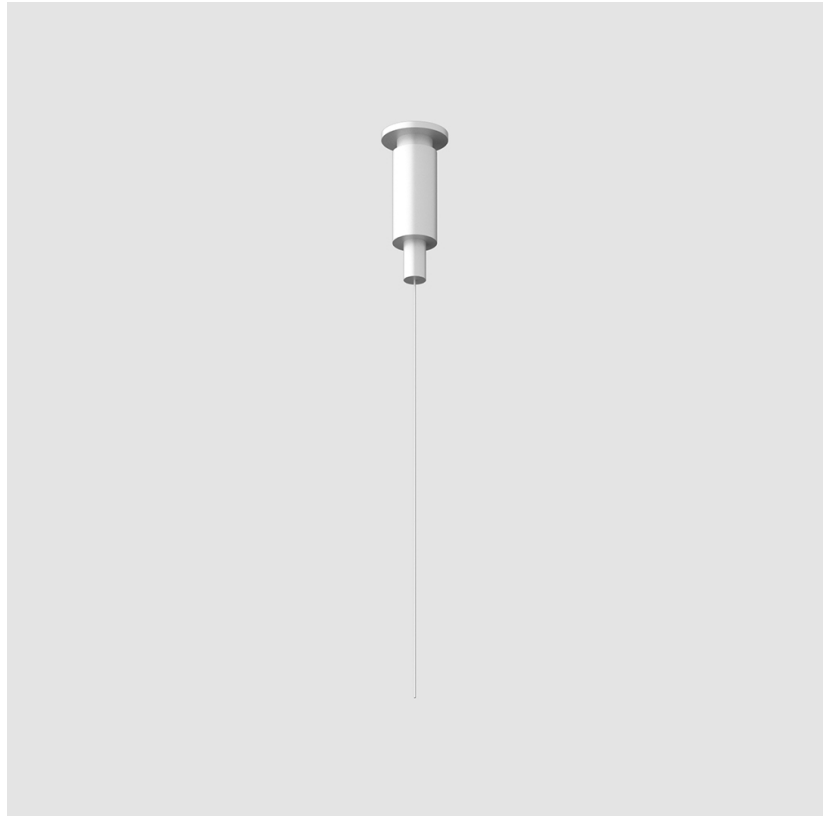
LED

Number of LEDs: 1

Max. Delivered Lumen (lm): 2278lm

OPTICAL

Optic°: 29°



PROJECT	
TYPE	
NOTES	
QUANTITY	
DATE	

A535LIN-MOD-SYS COMPONENTS TRACK

A59097-

DESCRIPTION

35 Linear - Suspension - Spot - Continuous Nanoperfetto - 7 - 2700K / 3000K - CRI 90° - Beam 14°

GENERAL

Series: 35 Linear
 Subseries: 35 Linear Modular System
 Brand: Ivela
 Division: Architectural
 Mounting Type: Track
 Mounting Location: Ceiling
 Subcategory: Spots

PHYSICAL

Shape: Cylinder
 Diameter (mm): 35
 Diameter (in): 1 3/8
 Length (mm): 120
 Length (in): 4 3/4
 Width (in): 2 13/16
 Height (mm): 71
 Light Distribution: Adjustable / Direct
 Fixture Finish: BLK / MWH
 Fixture Material: Aluminum / Polycarbonate

ELECTRICAL

Input Wattage Range: 1 - 9 W
 Lamp Type: LED
 Input Wattage (W): 7
 Total Output Wattage (W): 6
 Dimming: Non-Dimmable
 Driver Included: No
 Driver Location: Remote
 Driver Type: Constant Voltage - Universal
 Driver Class: Class 1 and Class 2
 Input Voltage (V): 120 - 277
 Output Voltage (V): 48

LED

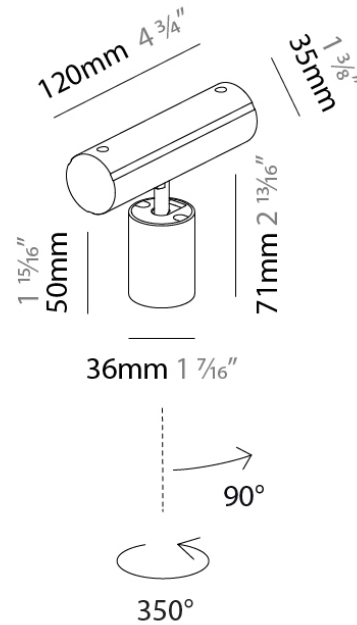
Delivered Lumen Range: 100 - 499 lm
 Color Temperature (°K): 2700 / 3000
 Max. Delivered Lumen (lm): 436 / 463
 Nominal Lumen (lm): 490 / 520
 CRI: >90 CRI
 Lamp Life (hrs): 50000

OPTICAL

Beam Angle: 14
 Adjustability: Rotational 350°; Tilt 90°

RATINGS AND CERTIFICATIONS

Certified By: Certified for North American Standards
 IP rating: IP20
 Glare Rating: ≤ 13



A535LIN-MOD-SYS COMPONENTS

A59098-

DESCRIPTION

35 Linear - L Shape Connector

GENERAL

Series: 35 Linear

Subseries: 35 Linear Modular System

Brand: Ivela

Division: Architectural

PHYSICAL

Diameter (mm): 35

Diameter (in): 1 3/8

Length (mm): 85

Length (in): 3 3/8

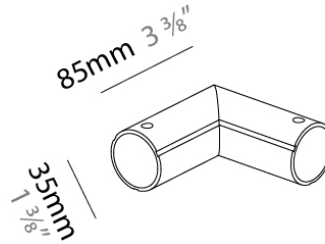
Fixture Finish: BLK / MWH

Fixture Material: Aluminum

RATINGS AND CERTIFICATIONS

Certified By: Certified for North American Standards

IP rating: IP20



A535LIN-MOD-SYS COMPONENTS

A59099-

DESCRIPTION

35 Linear - Kit for Wall/Ceiling Mount

GENERAL

Series: 35 Linear

Subseries: 35 Linear Modular System

Brand: Ivela

Division: Architectural

PHYSICAL

Diameter (mm): 35

Diameter (in): 1 ³/₈

Height (mm): 59

Height (in): 2 ⁵/₁₆

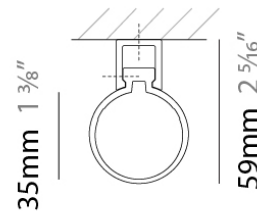
Fixture Finish: BLK / MWH

Fixture Material: Aluminum

RATINGS AND CERTIFICATIONS

Certified By: Certified for North American Standards

IP rating: IP20



A535LIN-MOD-SYS COMPONENTS

A59100-

DESCRIPTION

35 Linear - L Shape Connector with Power Cable

GENERAL

Series: 35 Linear

Subseries: 35 Linear Modular System

Brand: Ivela

Division: Architectural

PHYSICAL

Diameter (mm): 35

Diameter (in): 1 ³/₈

Length (mm): 85

Length (in): 3 ³/₈

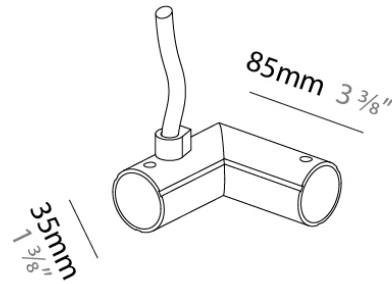
Fixture Finish: BLK / MWH

Fixture Material: Aluminum

RATINGS AND CERTIFICATIONS

Certified By: Certified for North American Standards

IP rating: IP20



A535LIN-MOD-SYS COMPONENTS

A59101-

DESCRIPTION

35 Linear - Ceiling Canopy

GENERAL

Series: 35 Linear

Subseries: 35 Linear Modular System

Brand: Ivela

Division: Architectural

PHYSICAL

Diameter (mm): 120

Diameter (in): 4 ¾

Height (mm): 29

Height (in): 1 ⅛

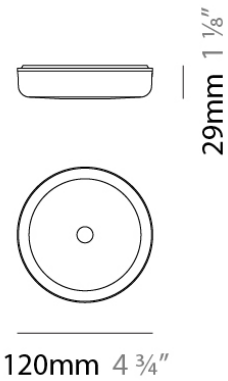
Fixture Finish: BLK / MWH

Fixture Material: Aluminum

RATINGS AND CERTIFICATIONS

Certified By: Certified for North American Standards

IP rating: IP20



A535LIN-MOD-SYS COMPONENTS

A5910200

DESCRIPTION

35 Linear - Smoked Diffuser 500mm / 19 11/16" (approx. 50% light loss)

GENERAL

Series: 35 Linear

Subseries: 35 Linear Modular System

Brand: Ivela

Division: Architectural

PHYSICAL

Length (mm): 500

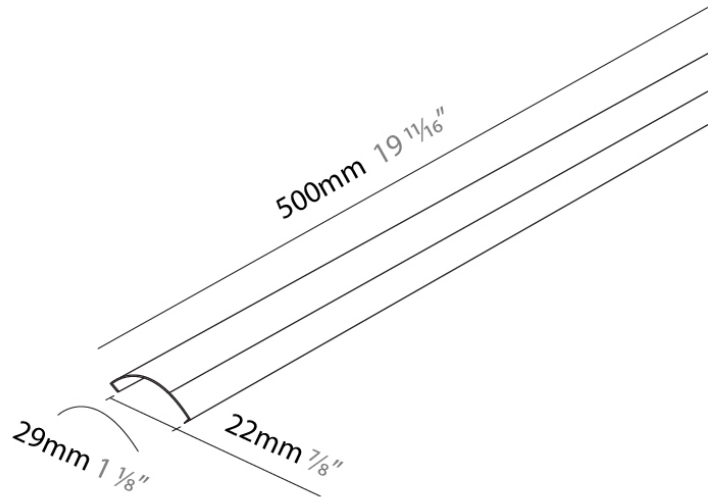
Length (in): 19 11/16

Diffuser: Polycarbonate - Smoke (approx. 50% light loss)

RATINGS AND CERTIFICATIONS

Certified By: Certified for North American Standards

IP rating: IP20



A535LIN-MOD-SYS COMPONENTS

A5910300

DESCRIPTION

35 Linear - Smoked Diffuser 1500mm / 59 1/16" (approx. 50% light loss)

GENERAL

Series: 35 Linear

Subseries: 35 Linear Modular System

Brand: Ivela

Division: Architectural

PHYSICAL

Length (mm): 1500

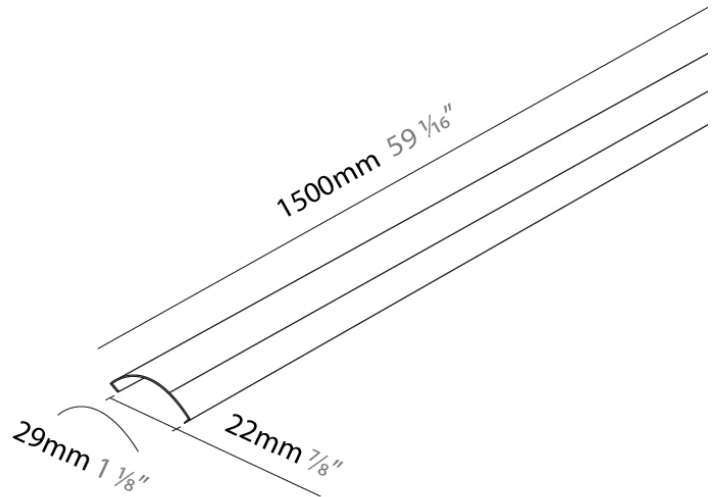
Length (in): 59 1/16

Diffuser: Polycarbonate - Smoke (approx. 50% light loss)

RATINGS AND CERTIFICATIONS

Certified By: Certified for North American Standards

IP rating: IP20



A535LIN-MOD-SYS COMPONENTS

A5910400

DESCRIPTION

35 Linear - Smoked Diffuser 2000mm / 78 3/4 (approx. 50% light loss)

GENERAL

Series: 35 Linear

Subseries: 35 Linear Modular System

Brand: Ivela

Division: Architectural

PHYSICAL

Length (mm): 2000

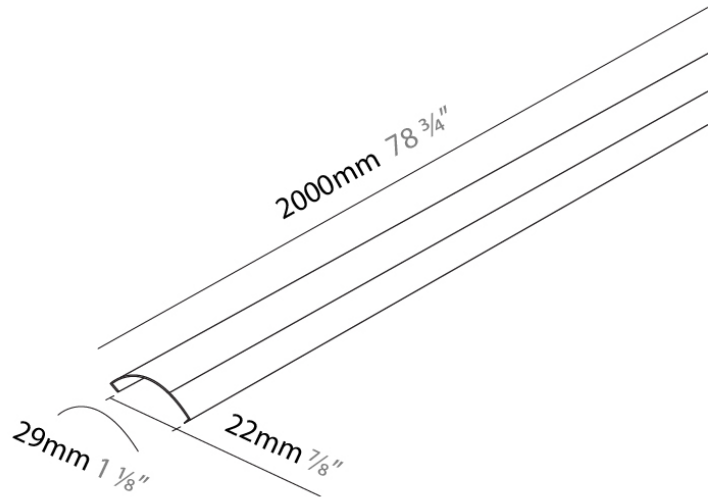
Length (in): 78 3/4

Diffuser: Polycarbonate - Smoke (approx. 50% light loss)

RATINGS AND CERTIFICATIONS

Certified By: Certified for North American Standards

IP rating: IP20



A535LIN-MOD-SYS COMPONENTS

A5910500

DESCRIPTION

35 Linear - Smoked Diffuser 3 000mm / 118 1/8 (approx. 50% light loss)

GENERAL

Series: 35 Linear

Subseries: 35 Linear Modular System

Brand: Ivela

Division: Architectural

PHYSICAL

Length (mm): 3000

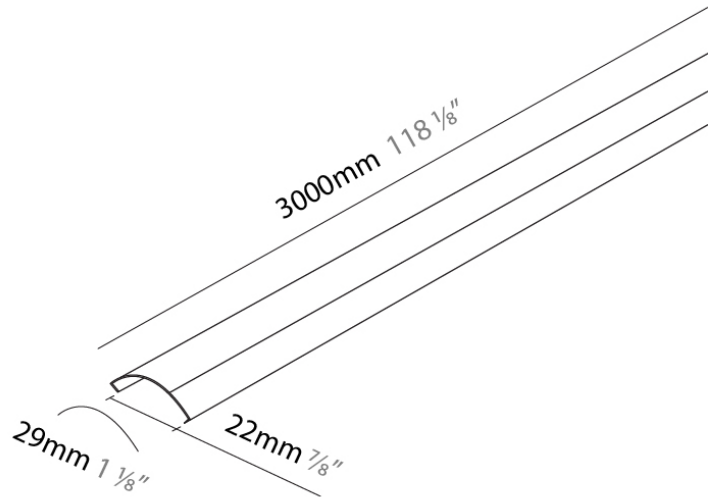
Length (in): 118 1/8

Diffuser: Polycarbonate - Smoke (approx. 50% light loss)

RATINGS AND CERTIFICATIONS

Certified By: Certified for North American Standards

IP rating: IP20



LEGEND

	floor-mounted		pivotable		special LED (upon request) RGB, RGBW, tunable, gold+, meat+, art+, fashion+
	wall and ceiling: recessed and surface mounted		rotating		warm dim / natural dimming LED
	ceiling-mounted and wall-mounted		illuminate tilted		rechargeable battery powered
	wall-mounted		color of suspension cable		fixture with natural vivid LED (upon request)
	omni-directional light distribution		length of suspension cable		color rendering index
	direct light distribution		reflector degree selection		color temperature
	direct/indirect light distribution		super spot		lumen (luminous flux)
	indirect light distribution		lens		efficacy (lumens per watt)
	asymmetric light distribution		lens pack		Unified Glare Rating (UGR) range from 5-40
	aura light distribution		shine ring		marine grade (AISI 316 stainless steel)
	round wall or ceiling cut-out		integrated shine ring with diffuser		walk on
	square wall or ceiling cut-out		free individual colors 01-29		drive on
	the supplied jig specifies the cutout dimensions		individual colors: 00 (free of charge), 01-25 (extra charge)		Dark Sky Compliance
	minimum distance (meters) lamp - object		luminaire part to be colored (F1)		Americans with Disabilities Act (less than 4" off the wall located between 27"-84" from floor)
	recessed depth		luminaire part to be colored (F2)		lamp protected against explosion
	ceiling thickness in mm		luminaire part to be colored (F3)		blown glass using traditional methods by master glass blower
	ceiling thickness selection		luminaire part to be colored (F4)		acoustic material
	dimmable DP (phase), DV (0-10V), DD (dali), DS (step-dim)		luminaire part to be colored (F5)		protection class I, protection insulation
	included or excluded LED driver/transformer/control gear		color of 3-circuit adaptor		protection class II, protection insulation
	separately switchable		indirect diffuser		ETL Certified to UL and CSA Standards
	sensor		direct diffuser		UL Certified to UL and CSA Standards
	remote control		ball-proof (upon request)		CSA Certified to UL and CSA Standards
	available upon request		accessory		Certified for North American Standards

IP RATING

	protected against ingress of solid bodies greater than 12.5mm (finger)
	protected against ingress of solid bodies greater than 2.5mm protected against sprays of water up to 60 degrees from the vertical (rain)
	protected against ingress of solid bodies greater than 1mm (wire) no protection against the ingress of moisture
	protected against ingress of solid bodies greater than 1mm (wire) protected against sprays of water up to 60 degrees from the vertical (rain)
	protected against ingress of solid bodies greater than 1mm (wire) protected against water splashed from all directions
	protected against limited ingress of dust (wet rooms/covered outdoor areas) protected against water splashed from all directions
	protected against ingress of dust protected against jets of water
	protected against ingress of dust protected against powerful jets of water or heavy seas
	protected against ingress of dust protected against immersion of water between 15cm - 1m for 30 minutes
	protected against ingress of dust protected against immersion of water under pressure for long periods

IK RATING

	protected against 0.14 joules impact (equivalent to 0.25kg mass dropped from 56mm above the surface)
	protected against 0.2 joules impact (equivalent to 0.25kg mass dropped from 80mm above the surface)
	protected against 0.35 joules impact (equivalent to 0.25kg mass dropped from 140mm above the surface)
	protected against 0.5 joules impact (equivalent to 0.25kg mass dropped from 200mm above the surface)
	protected against 0.7 joules impact (equivalent to 0.25kg mass dropped from 280mm above the surface)
	protected against 1 joules impact (equivalent to 0.25kg mass dropped from 400mm above the surface)
	protected against 2 joules impact (equivalent to 0.5kg mass dropped from 400mm above the surface)
	protected against 5 joules impact (equivalent to 1.7kg mass dropped from 300mm above the surface)
	protected against 10 joules impact (equivalent to 5.0kg mass dropped from 200mm above the surface)
	protected against 20 joules impact (equivalent to 5.0kg mass dropped from 400mm above the surface)