

A7VIIV-DUO-SUS-SYS COMPONENTS

A7900087-

DESCRIPTION

Viavai Duo - Power Feed for Suspension

GENERAL

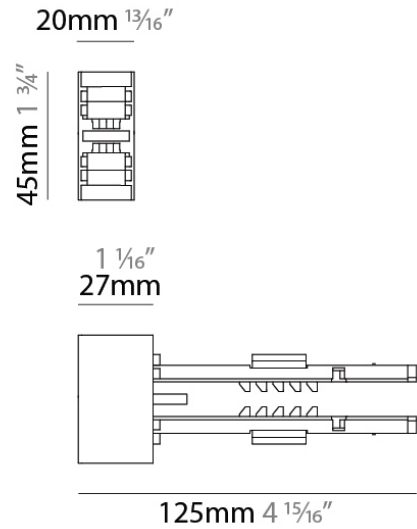
Series: Viavai
 Subseries: Viavai Duo
 Partner: Letroh
 Division: Architectural
 Product Type: Linear Profiles

PHYSICAL

Shape: Rectangle
 Length (mm): 125
 Length (in): 4 ¹⁵/₁₆
 Width (mm): 20
 Width (in): 13/16
 Height (mm): 45
 Height (in): 1 ³/₄
 Fixture Finish: WHI / BLK
 Fixture Material: Aluminum

RATINGS AND CERTIFICATIONS

Certified By: Certified for North American Standards
 IP rating: IP20



A7VIIV-DUO-SUS-SYS COMPONENTS

A7900088-

DESCRIPTION

Viavai Duo - Linear Coupling for Suspension and Wall

GENERAL

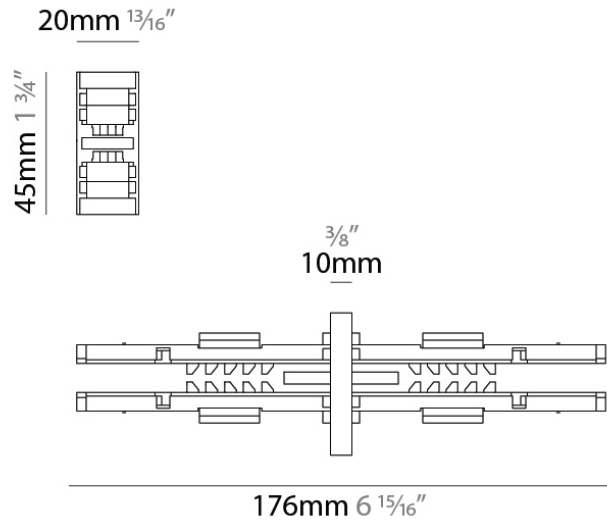
Series: Viavai
 Subseries: Viavai Duo
 Partner: Letroh
 Division: Architectural
 Product Type: Linear Profiles

PHYSICAL

Shape: Rectangle
 Length (mm): 176
 Length (in): 6 ¹⁵/₁₆
 Width (mm): 20
 Width (in): 13/16
 Height (mm): 45
 Height (in): 1 ³/₄
 Fixture Finish: WHI / BLK
 Fixture Material: Aluminum

RATINGS AND CERTIFICATIONS

Certified By: Certified for North American Standards
 IP rating: IP20



A7VIIV-DUO-SUS-SYS COMPONENTS

A7900089-

DESCRIPTION

Viavai Duo - Closing Terminal for Suspension

GENERAL

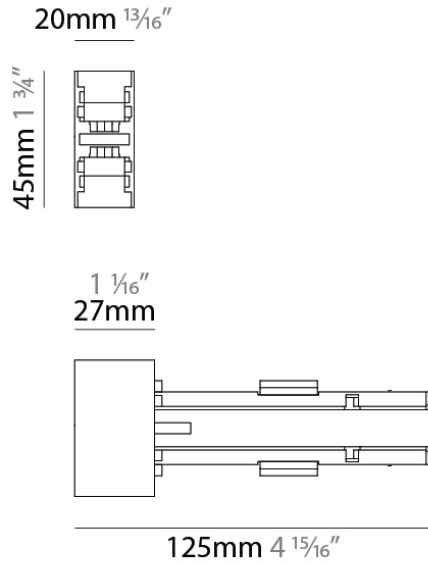
Series: Viavai _____
 Subseries: Viavai Duo _____
 Partner: Letroh _____
 Division: Architectural _____
 Product Type: Linear Profiles _____

PHYSICAL

Shape: Rectangle _____
 Length (mm): 125 _____
 Length (in): 4 ¹⁵/₁₆ _____
 Width (mm): 20 _____
 Width (in): 13/16 _____
 Height (mm): 45 _____
 Height (in): 1 ³/₄ _____
 Fixture Finish: WHI / BLK _____
 Fixture Material: Aluminum _____

RATINGS AND CERTIFICATIONS

Certified By: Certified for North American Standards _____
 IP rating: IP20 _____



A7VIIV-DUO-SUS-SYS COMPONENTS

A7900090-

DESCRIPTION

Viavai Duo - Suspension Accessory

GENERAL

Series: Viavai

Subseries: Viavai Duo

Partner: Letroh

Division: Architectural

Product Type: Linear Profiles

PHYSICAL

Shape: Rectangle

Length (mm): 176

Length (in): 6 ¹⁵/₁₆

Width (mm): 18

Width (in): 11/16

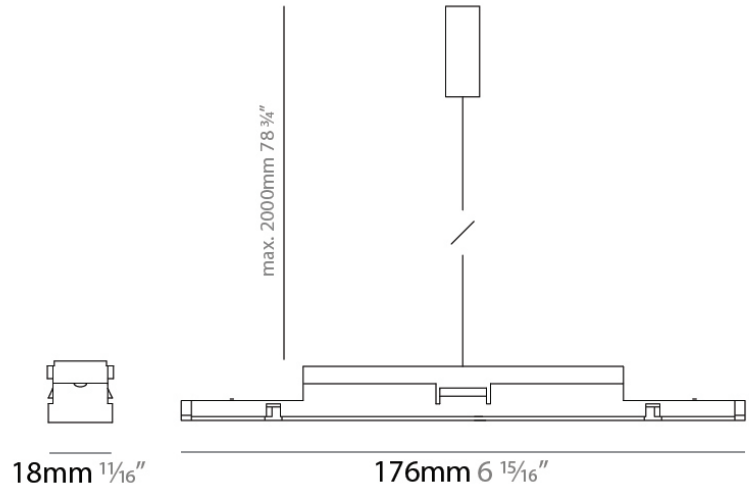
Fixture Finish: WHI / BLK

Fixture Material: Aluminum

RATINGS AND CERTIFICATIONS

Certified By: Certified for North American Standards

IP rating: IP20



| | |
|----------|--|
| PROJECT | |
| TYPE | |
| NOTES | |
| QUANTITY | |
| DATE | |

A7VIIV-DUO-SUS-SYS COMPONENTS

A7900091-

DESCRIPTION

Viavai Duo - 90° Joint

GENERAL

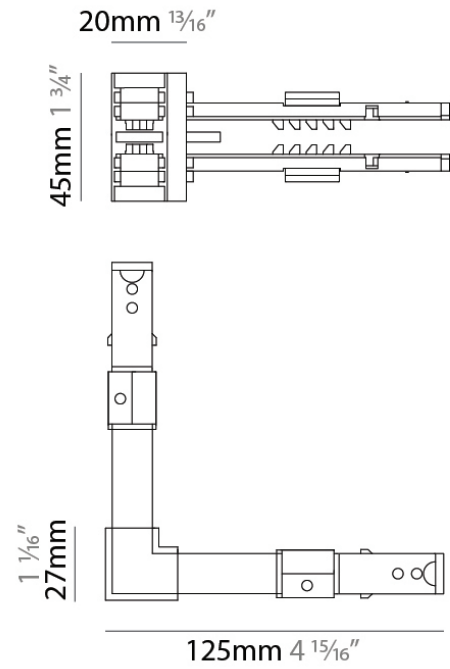
Series: Viavai
 Subseries: Viavai Duo
 Partner: Letroh
 Division: Architectural
 Product Type: Linear Profiles

PHYSICAL

Shape: Rectangle
 Length (mm): 125
 Length (in): 4 ¹⁵/₁₆
 Width (mm): 20
 Width (in): 13/16
 Height (mm): 45
 Height (in): 1 ³/₄
 Fixture Finish: WHI / BLK
 Fixture Material: Aluminum

RATINGS AND CERTIFICATIONS

Certified By: Certified for North American Standards
 IP rating: IP20



| | |
|----------|-------|
| PROJECT | _____ |
| TYPE | _____ |
| NOTES | _____ |
| QUANTITY | _____ |
| DATE | _____ |

A7VIIV-DUO-SUS-SYS COMPONENTS

A7900092-

DESCRIPTION

Viavai Duo - Closing Profile

GENERAL

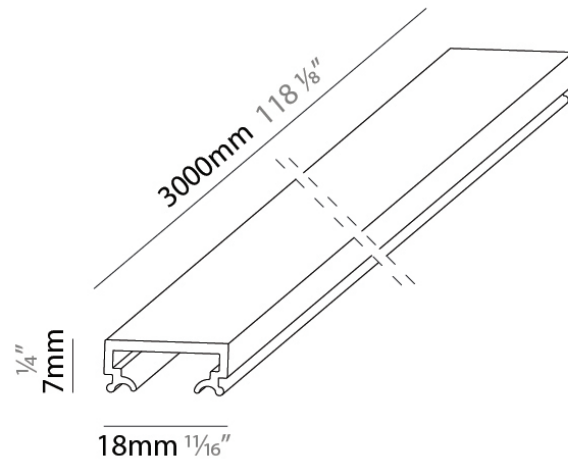
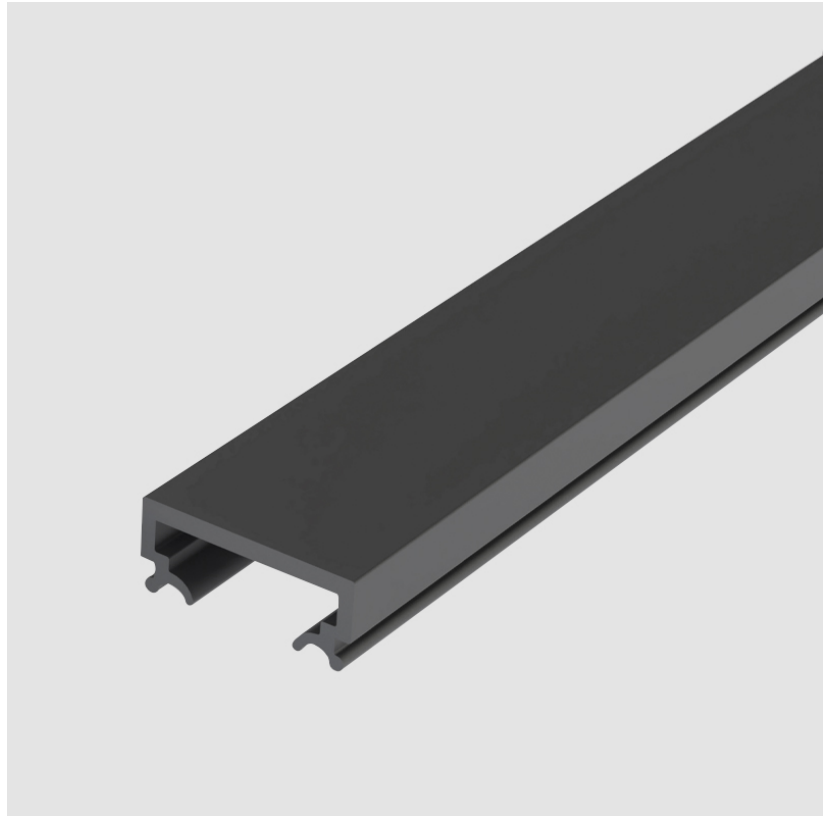
Series: Viavai
Subseries: Viavai Duo
Partner: Letroh
Division: Architectural
Product Type: Linear Profiles

PHYSICAL

Shape: Rectangle
Length (mm): 3000
Length (in): 118 7/8
Width (mm): 18
Width (in): 11/16
Height (mm): 7
Height (in): 1/4
Fixture Finish: WHI / BLK
Fixture Material: Aluminum

RATINGS AND CERTIFICATIONS

Certified By: Certified for North American Standards
IP rating: IP20



| | |
|----------|--|
| PROJECT | |
| TYPE | |
| NOTES | |
| QUANTITY | |
| DATE | |

A7VIIV-DUO-SUS-SYS COMPONENTS

A7900093-

DESCRIPTION

Viavai Duo - Internal Closing Profile

GENERAL

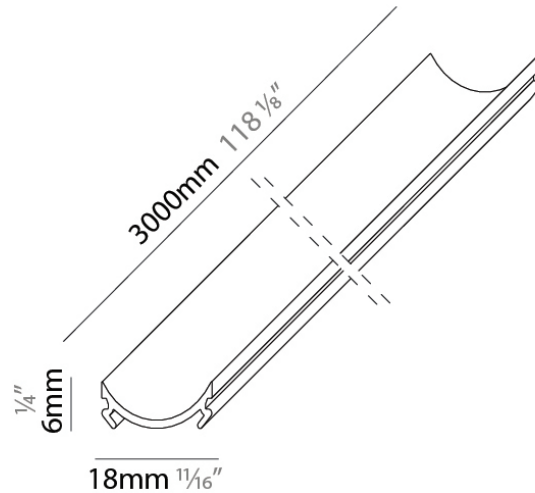
Series: Viavai
 Subseries: Viavai Duo
 Partner: Letroh
 Division: Architectural
 Product Type: Linear Profiles

PHYSICAL

Shape: Rectangle
 Length (mm): 3000
 Length (in): 118 7/8
 Width (mm): 18
 Width (in): 11/16
 Height (mm): 7
 Height (in): 1/4
 Fixture Finish: WHI / BLK
 Fixture Material: Aluminum

RATINGS AND CERTIFICATIONS

Certified By: Certified for North American Standards
 IP rating: IP20



| | |
|----------|-------|
| PROJECT | _____ |
| TYPE | _____ |
| NOTES | _____ |
| QUANTITY | _____ |
| DATE | _____ |

A7VIIV-DUO-SUS-SYS COMPONENTS

A7900094-

DESCRIPTION

Viavai Duo - Power Supply Box

GENERAL

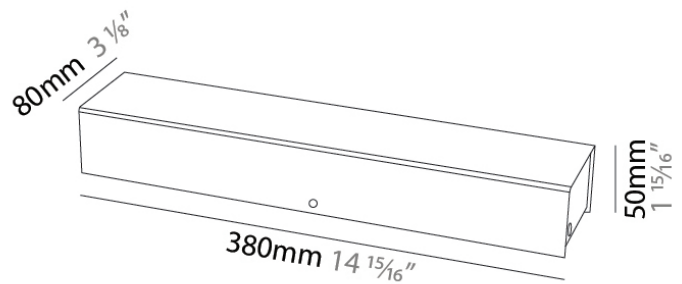
Series: Viavai
Subseries: Viavai Duo
Partner: Letroh
Division: Architectural
Product Type: Linear Profiles

PHYSICAL

Shape: Rectangle
Fixture Finish: WHI / BLK
Fixture Material: Aluminum

RATINGS AND CERTIFICATIONS

Certified By: Certified for North American Standards
IP rating: IP20



| |
|----------|
| PROJECT |
| TYPE |
| NOTES |
| QUANTITY |
| DATE |

A7VIIV-DUO-SUS-SYS COMPONENTS

A7900098-

DESCRIPTION

Viavai System - Linear LED Board, 9W - 2700K / 3000K, Max 1152lm, 48V, CRI95

GENERAL

Series: Viavai
 Subseries: Viavai Duo
 Partner: Letroh
 Division: Architectural
 Product Type: Linear Profiles

PHYSICAL

Length (mm): 560
 Length (in): 22 1/16
 Width (mm): 13
 Width (in): 1/2

ELECTRICAL

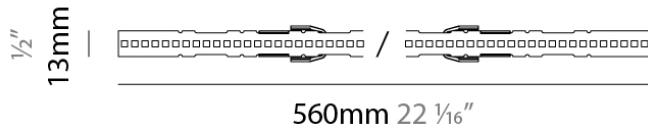
Input Wattage Range: 10 - 19 W
 Lamp Type: LED
 Input Wattage (W): 9
 Dimming: Non-Dimming / DALI Dimming
 Driver Included: No
 Driver Location: Remote
 Driver Type: Constant Voltage - Universal
 Driver Class: Class 2
 Input Voltage (V): 120 - 277
 Output Voltage (V): 48
 Upon Request: DALI/0-10V available with dimming module

LED

Delivered Lumen Range: 1000 - 2999 lm
 Number of LEDs: 108
 Color Temperature (°K): 2700 / 3000
 Max. Delivered Lumen (lm): 1080 / 1152
 CRI: >95 CRI
 Lamp Life (hrs): 50000

RATINGS AND CERTIFICATIONS

Certified By: Certified for North American Standards
 IP rating: IP20



A7VIIV-DUO-SUS-SYS COMPONENTS

A7900099-

DESCRIPTION

Viavai System - Linear LED Board, 13W - 2700K / 3000K, Max 1656lm, 48V, CRI95

GENERAL

Series: Viavai _____
 Subseries: Viavai Duo _____
 Partner: Letroh _____
 Division: Architectural _____
 Product Type: Linear Profiles _____

PHYSICAL

Length (mm): 560 _____
 Length (in): 22 1/16 _____
 Width (mm): 13 _____
 Width (in): 1/2 _____

ELECTRICAL

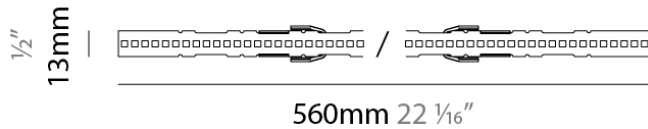
Input Wattage Range: 10 - 19 W _____
 Lamp Type: LED _____
 Input Wattage (W): 13 _____
 Dimming: Non-Dimming / DALI Dimming _____
 Driver Included: No _____
 Driver Location: Remote _____
 Driver Type: Constant Voltage - Universal _____
 Driver Class: Class 2 _____
 Input Voltage (V): 120 - 277 _____
 Output Voltage (V): 48 _____

LED

Delivered Lumen Range: 1000 - 2999 lm _____
 Number of LEDs: 108 _____
 Color Temperature (°K): 2700 / 3000 _____
 Max. Delivered Lumen (lm): 1512 / 1656 _____
 CRI: >95 CRI _____
 Lamp Life (hrs): 50000 _____

RATINGS AND CERTIFICATIONS

Certified By: Certified for North American Standards _____
 IP rating: IP20 _____



| |
|----------|
| PROJECT |
| TYPE |
| NOTES |
| QUANTITY |
| DATE |

A7VIIV-DUO-SUS-SYS COMPONENTS

A7900100-

DESCRIPTION
 Viavai System - Linear LED Board, 17W - 2700K / 3000K, Max 2088lm, 48V, CRI95

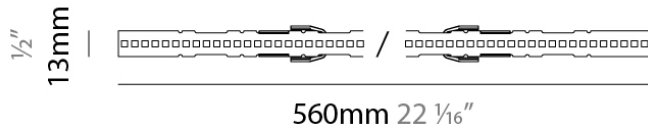
GENERAL
 Series: Viavai
 Subseries: Viavai Duo
 Partner: Letroh
 Division: Architectural
 Product Type: Linear Profiles

PHYSICAL
 Length (mm): 560
 Length (in): 22 1/16
 Width (mm): 13
 Width (in): 1/2

ELECTRICAL
 Input Wattage Range: 10 - 19 W
 Lamp Type: LED
 Input Wattage (W): 17
 Dimming: Non-Dimming / DALI Dimming
 Driver Included: No
 Driver Location: Remote
 Driver Type: Constant Voltage - Universal
 Driver Class: Class 2
 Input Voltage (V): 120 - 277
 Output Voltage (V): 48
 Upon Request: DALI/0-10V available with dimming module

LED
 Delivered Lumen Range: 1000 - 2999 lm
 Number of LEDs: 108
 Color Temperature (°K): 2700 / 3000
 Max. Delivered Lumen (lm): 2016 / 2088
 CRI: >95 CRI
 Lamp Life (hrs): 50000

RATINGS AND CERTIFICATIONS
 Certified By: Certified for North American Standards
 IP rating: IP20



A7VIAV-DUO-SUS-SYS COMPONENTS

A7900114

DESCRIPTION

Viavai System - Satin Opal Diffuser

GENERAL

Series: Viavai

Subseries: Viavai Duo

Partner: Letroh

Division: Architectural

Product Type: Linear Profiles

PHYSICAL

Shape: Rectangle

Length (mm): 3000

Length (in): 118 7/8

Width (mm): 18

Width (in): 11/16

Height (mm): 7

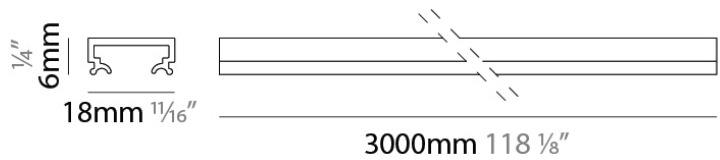
Height (in): 1/4

Fixture Material: Aluminum

RATINGS AND CERTIFICATIONS

Certified By: Certified for North American Standards

IP rating: IP20



| | |
|----------|--|
| PROJECT | |
| TYPE | |
| NOTES | |
| QUANTITY | |
| DATE | |

A7VIIV-DUO-SUS-SYS COMPONENTS SURFACE

A7T00050-

DESCRIPTION

Viavai Duo - 1,000mm / 39 3/8" Track for - Suspension

GENERAL

Series: Viavai
 Subseries: Viavai Mono
 Partner: Letroh
 Division: Architectural
 Installation: Surface
 Product Type: Linear Profiles
 Mounting Location: Ceiling

PHYSICAL

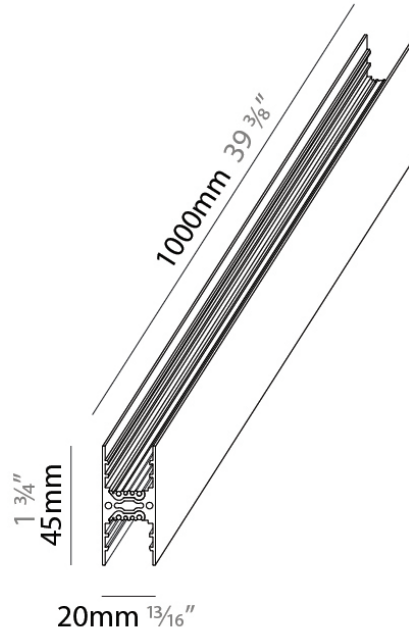
Shape: Rectangle
 Length (mm): 1000
 Length (in): 39 3/8
 Width (mm): 20
 Width (in): 13/16
 Height (mm): 45
 Height (in): 1 3/4
 Fixture Finish: WHI / BLK
 Fixture Material: Aluminum

ELECTRICAL

Input Voltage (V): 48

RATINGS AND CERTIFICATIONS

Certified By: Certified for North American Standards
 IP rating: IP20



| | |
|----------|--|
| PROJECT | |
| TYPE | |
| NOTES | |
| QUANTITY | |
| DATE | |

A7VIIV-DUO-SUS-SYS COMPONENTS SURFACE

A7T00051-

DESCRIPTION

Viavai Duo - 2,000mm / 78 3/4" Track for Suspension

GENERAL

Series: Viavai
 Subseries: Viavai Mono
 Partner: Letroh
 Division: Architectural
 Installation: Surface
 Product Type: Linear Profiles
 Mounting Location: Ceiling

PHYSICAL

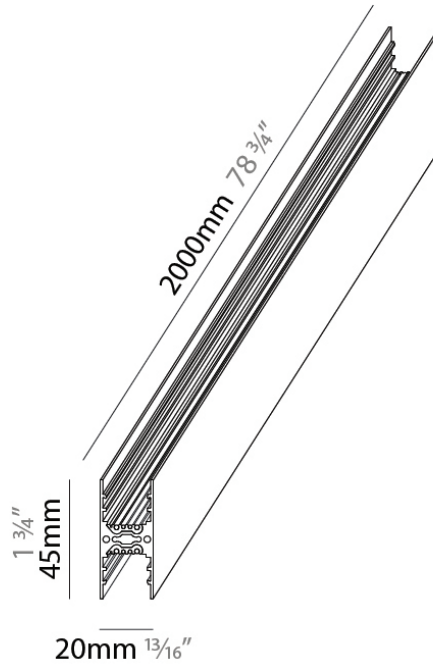
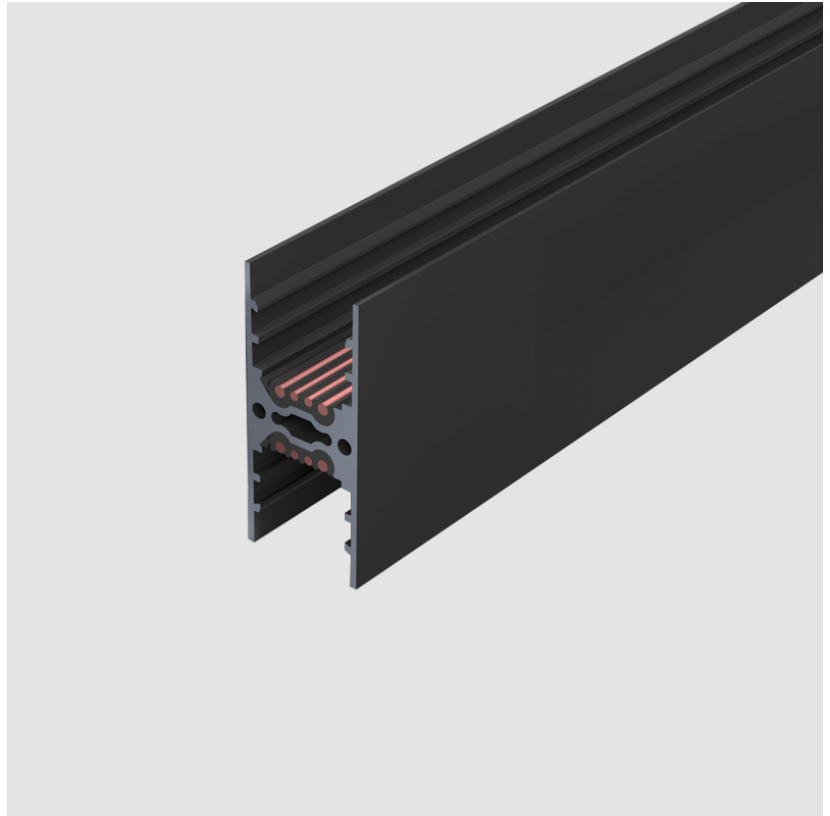
Shape: Rectangle
 Length (mm): 2000
 Length (in): 78 3/4
 Width (mm): 20
 Width (in): 13/16
 Height (mm): 45
 Height (in): 1 3/4
 Fixture Finish: WHI / BLK
 Fixture Material: Aluminum

ELECTRICAL

Input Voltage (V): 48

RATINGS AND CERTIFICATIONS

Certified By: Certified for North American Standards
 IP rating: IP20



A7VIIV-DUO-SUS-SYS COMPONENTS SURFACE

A7T00052-

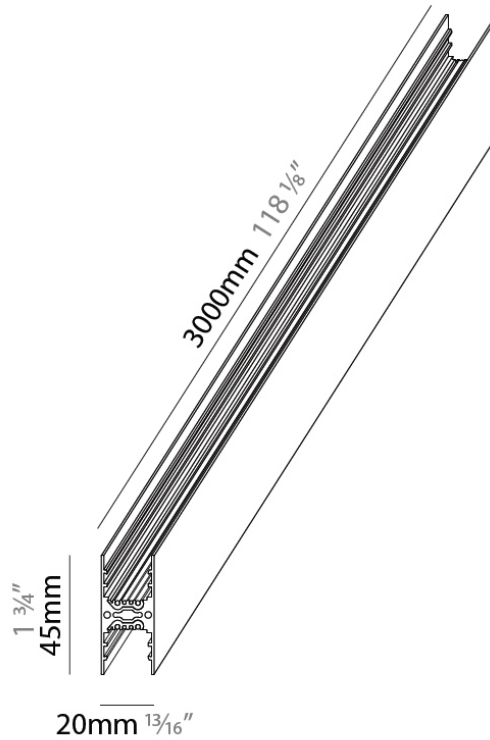
DESCRIPTION
 Viavai Duo - 3,000mm / 118 1/8" Track for Suspension

GENERAL
 Series: Viavai
 Subseries: Viavai Mono
 Partner: Letroh
 Division: Architectural
 Installation: Surface
 Product Type: Linear Profiles
 Mounting Location: Ceiling

PHYSICAL
 Shape: Rectangle
 Length (mm): 3000
 Length (in): 118 1/8
 Width (mm): 20
 Width (in): 13/16
 Height (mm): 45
 Height (in): 1 3/4
 Fixture Finish: WHI / BLK
 Fixture Material: Aluminum

ELECTRICAL
 Input Voltage (V): 48

RATINGS AND CERTIFICATIONS
 Certified By: Certified for North American Standards
 IP rating: IP20



A7VIIV-DUO-SUS-SYS COMPONENTS TRACK

A7T00056-

DESCRIPTION

Viavai System - Mini Spot Light Adjustable, 9W LED, 2700K/3000K, Max 770lm, 48V, CRI97 - Non-Dimming - Optics: 20° / 40° / 60°

GENERAL

Series: Viavai
 Partner: Letroh
 Division: Architectural
 Installation: Track
 Product Type: Spots
 Light Distribution: Adjustable / Direct

PHYSICAL

Aperture Sizes - Downlights: 1"
 Shape: Cylinder
 Diameter (mm): 45
 Diameter (in): 1 3/4
 Height (mm): 107
 Height (in): 4 3/16
 Weight (kg): 0.12
 Fixture Finish: WHI / BLK
 Fixture Material: Aluminum

ELECTRICAL

Input Wattage Range: 1 - 9 W
 Lamp Type: LED
 Input Wattage (W): 9
 Dimming: Non-Dimming / DALI Dimming
 Driver Included: No
 Driver Location: Remote
 Driver Type: Constant Voltage - Universal
 Driver Class: Class 2
 Input Voltage (V): 120 - 277
 Output Voltage (V): 48
 Upon Request: DALI/0-10V available with dimming module

LED

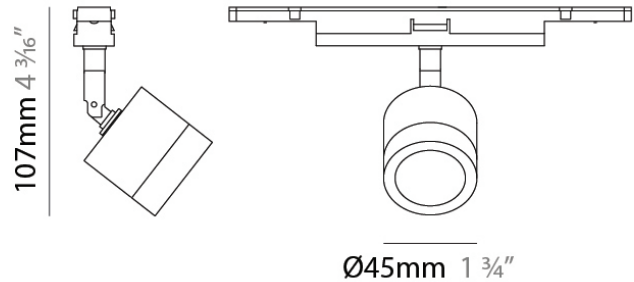
Delivered Lumen Range: 500 - 1999 lm
 Color Temperature (°K): 2700 / 3000
 Max. Delivered Lumen (lm): 740 - 770
 CRI: >97 CRI
 Lamp Life (hrs): 50000

OPTICAL

Optic°: 20, 40, 60
 Adjustability: Tilting and rotating

RATINGS AND CERTIFICATIONS

Certified By: Certified for North American Standards
 IP rating: IP20



A7VIIV-DUO-SUS-SYS COMPONENTS TRACK

A7T00057-

DESCRIPTION

Viavai System - Mini Spot Dark Light Adjustable, 9W LED, 2700K/3000K, Max 740lm, 48V, CRI97 - Non-Dimming / 0-10V Dimming - Complete with 20° Lens and Honeycomb

GENERAL

Series: Viavai
 Partner: Letroh
 Division: Architectural
 Installation: Track
 Product Type: Spots
 Light Distribution: Direct

PHYSICAL

Aperture Sizes - Downlights: 1"
 Shape: Cylinder
 Diameter (mm): 45
 Diameter (in): 1 3/4
 Height (mm): 108
 Height (in): 4 1/4
 Weight (kg): 0.14
 Fixture Finish: WHI / BLK
 Fixture Material: Aluminum

ELECTRICAL

Input Wattage Range: 10 - 19 W
 Lamp Type: LED
 Input Wattage (W): 9
 Dimming: Non-Dimming / DALI Dimming
 Driver Included: No
 Driver Location: Remote
 Driver Type: Constant Voltage - Universal
 Driver Class: Class 2
 Input Voltage (V): 120 - 277
 Output Voltage (V): 48
 Upon Request: DALI/0-10V available with dimming module

LED

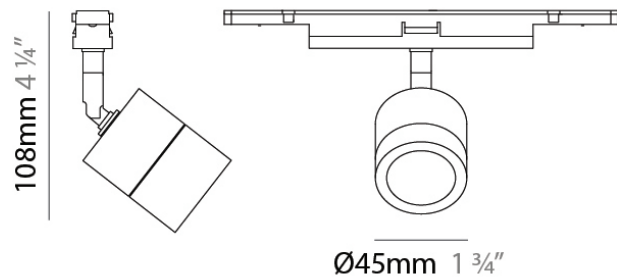
Delivered Lumen Range: 500 - 1999 lm
 Color Temperature (°K): 2700 / 3000
 Max. Delivered Lumen (lm): 698 - 740
 CRI: >97 CRI
 Lamp Life (hrs): 50000

OPTICAL

Adjustability: Tilting and rotating

RATINGS AND CERTIFICATIONS

Certified By: Certified for North American Standards
 IP rating: IP20



A7VIIV-DUO-SUS-SYS COMPONENTS TRACK

A7T00058-

DESCRIPTION

Viavai System - Mini Spot Light Fixed, 9W LED, 2700K/3000K, Max 740lm, 48V, CRI97 - Non-Dimming / 0-10V Dimming - Optics: 20° / 40° / 60°

GENERAL

Series: Viavai
 Partner: Letroh
 Division: Architectural
 Installation: Track
 Product Type: Downlight
 Light Distribution: Direct

PHYSICAL

Aperture Sizes - Downlights: 1"
 Shape: Cylinder
 Diameter (mm): 45
 Diameter (in): 1 3/4
 Height (mm): 54
 Height (in): 2 1/8
 Weight (kg): 0.11
 Fixture Finish: WHI / BLK
 Fixture Material: Aluminum

ELECTRICAL

Input Wattage Range: 10 - 19 W
 Lamp Type: LED
 Input Wattage (W): 9
 Dimming: Non-Dimming / DALI Dimming
 Driver Included: No
 Driver Location: Remote
 Driver Type: Constant Voltage - Universal
 Driver Class: Class 2
 Input Voltage (V): 120 - 277
 Output Voltage (V): 48
 Upon Request: DALI/0-10V available with dimming module

LED

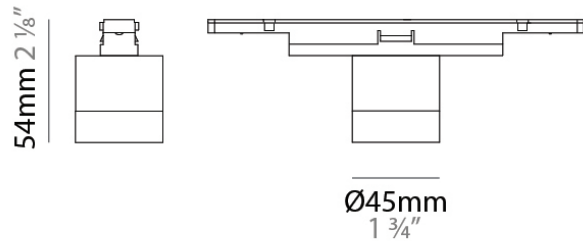
Delivered Lumen Range: 500 - 1999 lm
 Color Temperature (°K): 2700 / 3000
 Max. Delivered Lumen (lm): 698 - 740
 CRI: >97 CRI
 Lamp Life (hrs): 50000

OPTICAL

Optic°: 20, 40, 60
 Adjustability: Fixed

RATINGS AND CERTIFICATIONS

Certified By: Certified for North American Standards
 IP rating: IP20



A7VIIV-DUO-SUS-SYS COMPONENTS TRACK

A7T00059-

DESCRIPTION

Viavai System - Mini Spot Dark Light Fixed, 9W LED, 2700K/3000K, Max 740lm, 48V, CRI97 - Non-Dimming / 0-10V Dimming - Complete with 20° Lens and Honeycomb

GENERAL

Series: Viavai
 Partner: Letroh
 Division: Architectural
 Installation: Track
 Product Type: Downlight
 Light Distribution: Direct

PHYSICAL

Aperture Sizes - Downlights: 1"
 Shape: Cylinder
 Diameter (mm): 45
 Diameter (in): 1 3/4
 Height (mm): 60
 Height (in): 2 3/8
 Weight (kg): 0.14
 Fixture Finish: WHI / BLK
 Fixture Material: Aluminum

ELECTRICAL

Input Wattage Range: 10 - 19 W
 Lamp Type: LED
 Input Wattage (W): 9
 Dimming: Non-Dimming / DALI Dimming
 Driver Included: No
 Driver Location: Remote
 Driver Type: Constant Voltage - Universal
 Driver Class: Class 2
 Input Voltage (V): 120 - 277
 Output Voltage (V): 48
 Upon Request: DALI/0-10V available with dimming module

LED

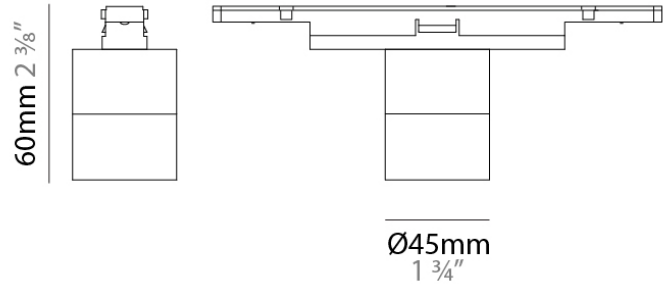
Delivered Lumen Range: 500 - 1999 lm
 Color Temperature (°K): 2700 / 3000
 Max. Delivered Lumen (lm): 698 - 740
 CRI: >97 CRI
 Lamp Life (hrs): 50000

OPTICAL

Adjustability: Fixed

RATINGS AND CERTIFICATIONS

Certified By: Certified for North American Standards
 IP rating: IP20



| | |
|----------|--|
| PROJECT | |
| TYPE | |
| NOTES | |
| QUANTITY | |
| DATE | |

A7VIIV-DUO-SUS-SYS COMPONENTS TRACK

A7T00060-

DESCRIPTION

Viavai System - Mini Spot Light Fixed, 9W LED, 2700K/3000K, Max 770lm, 48V, CRI97 - Non-Dimming / 0-10V Dimming - Opal Diffuser

GENERAL

Series: Viavai
 Partner: Letroh
 Division: Architectural
 Installation: Track
 Product Type: Spots
 Mounting Location: Wall / Ceiling
 Light Distribution: Direct

PHYSICAL

Aperture Sizes - Downlights: 1"
 Shape: Cylinder
 Diameter (mm): 45
 Diameter (in): 1 3/4
 Height (mm): 46
 Height (in): 1 13/16
 Weight (kg): 0.11
 Diffuser: Opal
 Fixture Finish: WHI / BLK
 Fixture Material: Aluminum

ELECTRICAL

Input Wattage Range: 10 - 19 W
 Lamp Type: LED
 Input Wattage (W): 9
 Dimming: Non-Dimming / DALI Dimming
 Driver Included: No
 Driver Location: Remote
 Driver Type: Constant Voltage - Universal
 Driver Class: Class 2
 Input Voltage (V): 120 - 277
 Output Voltage (V): 48
 Upon Request: DALI/0-10V available with dimming module

LED

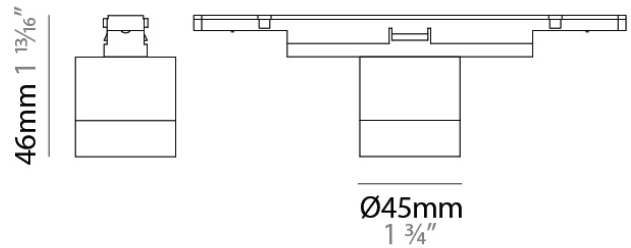
Delivered Lumen Range: 500 - 1999 lm
 Color Temperature (°K): 2700 / 3000
 Max. Delivered Lumen (lm): 728 / 770
 CRI: >97 CRI
 Lamp Life (hrs): 50000

OPTICAL

Adjustability: Fixed

RATINGS AND CERTIFICATIONS

Certified By: Certified for North American Standards
 IP rating: IP20



A7VIIV-DUO-SUS-SYS COMPONENTS TRACK

A7T00061-

DESCRIPTION

Viavai System - Mini Suspension Spot Light Fixed, 9W LED, 2700K/3000K, Max 770lm, 48V, CRI97 - Non-Dimming / 0-10V Dimming - Optics: 20° / 40° / 60°

GENERAL

Series: Viavai
 Partner: Letroh
 Division: Architectural
 Installation: Track
 Product Type: Pendant
 Mounting Location: Ceiling
 Light Distribution: Direct

PHYSICAL

Aperture Sizes - Downlights: 1"
 Shape: Cylinder
 Diameter (mm): 45
 Diameter (in): 1 3/4
 Height (mm): 79
 Height (in): 3 1/8
 Max. Overall Height (mm): 2079
 Max. Overall Height (in): 81 7/8
 Weight (kg): 0.23
 Fixture Finish: WHI / BLK
 Fixture Material: Aluminum
 Cable Details: 2,000MM / 78 3/4"

ELECTRICAL

Input Wattage Range: 10 - 19 W
 Lamp Type: LED
 Input Wattage (W): 9
 Dimming: Non-Dimming / DALI Dimming
 Driver Included: No
 Driver Location: Remote
 Driver Type: Constant Voltage - Universal
 Driver Class: Class 2
 Input Voltage (V): 120 - 277
 Output Voltage (V): 48
 Upon Request: DALI/0-10V available with dimming module

LED

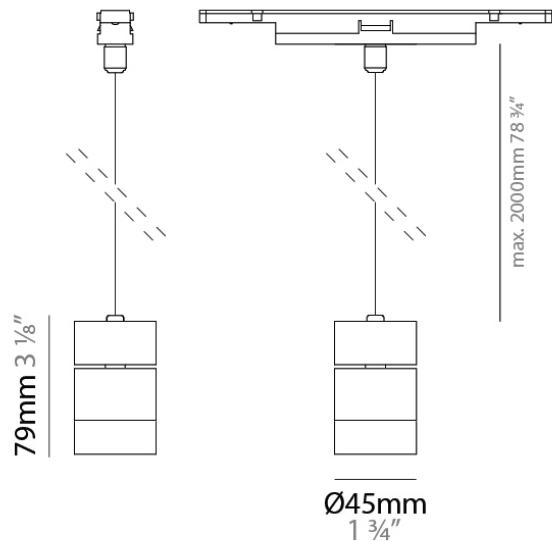
Delivered Lumen Range: 500 - 1999 lm
 Color Temperature (°K): 2700 / 3000
 Max. Delivered Lumen (lm): 728 / 770
 CRI: >97 CRI
 Lamp Life (hrs): 50000

OPTICAL

Optic°: 20, 40, 60
 Adjustability: Fixed

RATINGS AND CERTIFICATIONS

Certified By: Certified for North American Standards
 IP rating: IP20



A7VIIV-DUO-SUS-SYS COMPONENTS TRACK

A7T00062-

DESCRIPTION

Viavai System - Mini Suspension Spot Dark Light Fixed, 9W LED, 2700K/3000K, Max 740lm, 48V, CRI97 - Non-Dimming / 0-10V Dimming - Complete with 20° Lens and Honeycomb

GENERAL

Series: Viavai
 Partner: Letroh
 Division: Architectural
 Installation: Track
 Product Type: Pendant
 Mounting Location: Ceiling
 Light Distribution: Direct

PHYSICAL

Aperture Sizes - Downlights: 1"
 Shape: Cylinder
 Diameter (mm): 45
 Diameter (in): 1 3/4
 Height (mm): 85
 Height (in): 3 3/8
 Max. Overall Height (mm): 2085
 Max. Overall Height (in): 82 1/16
 Weight (kg): 0.14
 Fixture Finish: WHI / BLK
 Fixture Material: Aluminum

ELECTRICAL

Input Wattage Range: 10 - 19 W
 Lamp Type: LED
 Input Wattage (W): 9
 Dimming: Non-Dimming / DALI Dimming
 Driver Included: No
 Driver Location: Remote
 Driver Type: Constant Voltage - Universal
 Driver Class: Class 2
 Input Voltage (V): 120 - 277
 Output Voltage (V): 48

LED

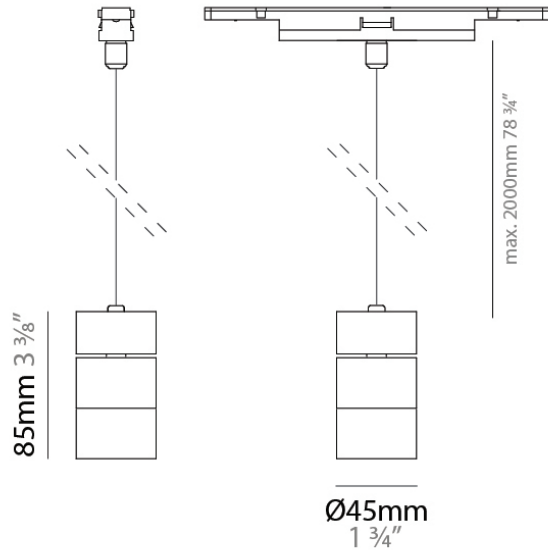
Delivered Lumen Range: 500 - 1999 lm
 Color Temperature (°K): 2700 / 3000
 Max. Delivered Lumen (lm): 698 / 740
 CRI: >97 CRI
 Lamp Life (hrs): 50000

OPTICAL

Adjustability: Fixed

RATINGS AND CERTIFICATIONS

Certified By: Certified for North American Standards
 IP rating: IP20



A7VIIV-DUO-SUS-SYS COMPONENTS TRACK

A7T00063-

DESCRIPTION

Viavai System - Mini Suspension Spot Light Fixed, 9W LED, 2700K/3000K, Max 770lm, 48V, CRI97 - Non-Dimming / 0-10V Dimming - Opal Diffuser

GENERAL

Series: Viavai
 Partner: Letroh
 Division: Architectural
 Installation: Track
 Product Type: Pendant
 Mounting Location: Ceiling
 Light Distribution: Direct

PHYSICAL

Aperture Sizes - Downlights: 1"
 Shape: Cylinder
 Diameter (mm): 45
 Diameter (in): 1 3/4
 Height (mm): 71
 Height (in): 2 13/16
 Max. Overall Height (mm): 2071
 Max. Overall Height (in): 81 9/16
 Weight (kg): 0.11
 Diffuser: Opal
 Fixture Finish: WHI / BLK
 Fixture Material: Aluminum

ELECTRICAL

Input Wattage Range: 10 - 19 W
 Lamp Type: LED
 Input Wattage (W): 9
 Dimming: Non-Dimming / DALI Dimming
 Driver Included: No
 Driver Location: Remote
 Driver Type: Constant Voltage - Universal
 Driver Class: Class 2
 Input Voltage (V): 120 - 277
 Output Voltage (V): 48
 Upon Request: DALI/0-10V available with dimming module

LED

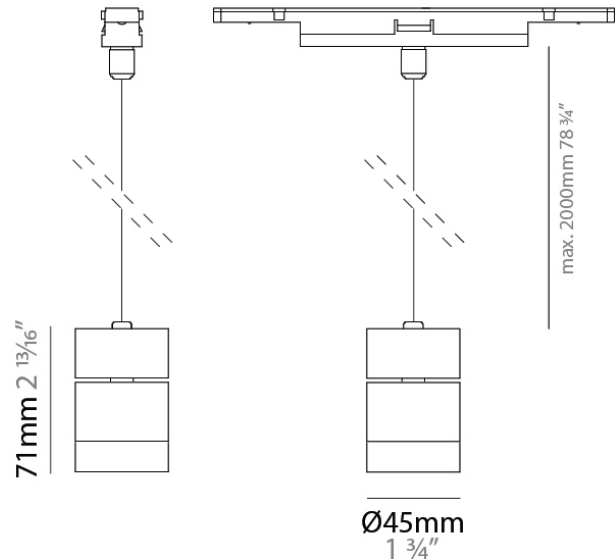
Delivered Lumen Range: 500 - 1999 lm
 Color Temperature (°K): 2700 / 3000
 Max. Delivered Lumen (lm): 728 / 770
 CRI: >97 CRI
 Lamp Life (hrs): 50000

OPTICAL

Adjustability: Fixed

RATINGS AND CERTIFICATIONS

Certified By: Certified for North American Standards
 IP rating: IP20



A7VIIV-DUO-SUS-SYS COMPONENTS TRACK

A7T00064-

DESCRIPTION

Viavai System - Mini W Wall Effect Spot Light, 9W LED, 2700K/3000K, Max 770lm, 48V, CRI97 - Non-Dimming - Optics: 20° / 40° / 60°

GENERAL

Series: Viavai
 Partner: Letroh
 Division: Architectural
 Installation: Track
 Product Type: Spots
 Mounting Location: Wall / Ceiling
 Light Distribution: Direct

PHYSICAL

Aperture Sizes - Downlights: 1"
 Shape: Cylinder
 Diameter (mm): 45
 Diameter (in): 1 3/4
 Width (mm): 350
 Width (in): 13 3/4
 Height (mm): 110
 Height (in): 4 5/16
 Weight (kg): 0.30
 Fixture Finish: WHI / BLK
 Fixture Material: Aluminum

ELECTRICAL

Input Wattage Range: 10 - 19 W
 Lamp Type: LED
 Input Wattage (W): 9
 Dimming: Non-Dimming / DALI Dimming
 Driver Included: No
 Driver Location: Remote
 Driver Type: Constant Voltage - Universal
 Driver Class: Class 2
 Input Voltage (V): 120 - 277
 Output Voltage (V): 48
 Upon Request: DALI/0-10V available with dimming module

LED

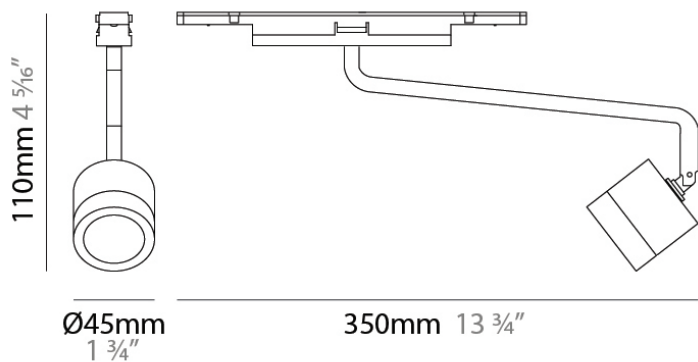
Delivered Lumen Range: 500 - 1999 lm
 Color Temperature (°K): 2700 / 3000
 Max. Delivered Lumen (lm): 728 / 770
 CRI: >97 CRI
 Lamp Life (hrs): 50000

OPTICAL

Optic°: 20 / 40 / 60
 Adjustability: Fixed

RATINGS AND CERTIFICATIONS

Certified By: Certified for North American Standards
 IP rating: IP20



A7VIIV-DUO-SUS-SYS COMPONENTS TRACK

A7T00065-

DESCRIPTION

Viavai System - Zoom Adjustable Spot - 1 x 13W LED, 2700K/3000K, 878lm, CRI97, Optic Range: 12° - 46

GENERAL

Series: Viavai
 Partner: Letroh
 Division: Architectural
 Installation: Track
 Product Type: Spots
 Mounting Location: Wall / Ceiling
 Light Distribution: Adjustable / Direct

PHYSICAL

Aperture Sizes - Downlights: 1"
 Shape: Cylinder
 Length (mm): 85
 Length (in): 3 3/8
 Height (mm): 114
 Height (in): 4 1/2
 Fixture Finish: WHI / BLK
 Fixture Material: Aluminum

ELECTRICAL

Input Wattage Range: 10 - 19 W
 Lamp Type: LED
 Input Wattage (W): 13
 Dimming: Non-Dimming / DALI Dimming
 Driver Included: No
 Driver Location: Remote
 Driver Type: Constant Voltage - Universal
 Driver Class: Class 2
 Input Voltage (V): 120 - 277
 Output Voltage (V): 48
 Upon Request: DALI/0-10V available with dimming module

LED

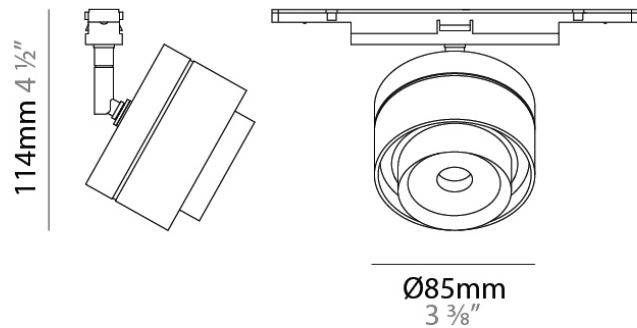
Delivered Lumen Range: 500 - 999 lm
 Color Temperature (°K): 2700 / 3000
 Max. Delivered Lumen (lm): 831 / 878
 Nominal Lumen (lm): 1010 / 1068
 CRI: >97 CRI
 Lamp Life (hrs): 50000

OPTICAL

Optic°: 12 - 46
 Adjustability: Rotational 350°; Tilt 90°

RATINGS AND CERTIFICATIONS

Certified By: Certified for North American Standards
 IP rating: IP20



A7VIIV-DUO-SUS-SYS COMPONENTS TRACK

A7T00066-

DESCRIPTION

Viavai System - Zoom Fixed Spot Light - 1 x 13W LED,
 2700K/3000K, 878lm, CRI97, Optic Range: 12° - 46

GENERAL

Series: Viavai
 Partner: Letroh
 Division: Architectural
 Installation: Track
 Product Type: Downlight
 Mounting Location: Ceiling
 Light Distribution: Adjustable / Direct

PHYSICAL

Aperture Sizes - Downlights: 2"
 Shape: Cylinder
 Length (mm): 85
 Length (in): 3 3/8"
 Height (mm): 76
 Height (in): 3
 Fixture Finish: WHI / BLK
 Fixture Material: Aluminum

ELECTRICAL

Input Wattage Range: 10 - 19 W
 Lamp Type: LED
 Input Wattage (W): 13
 Dimming: Non-Dimming / DALI Dimming
 Driver Included: No
 Driver Location: Remote
 Driver Type: Constant Voltage - Universal
 Driver Class: Class 2
 Input Voltage (V): 120 - 277
 Output Voltage (V): 48
 Upon Request: DALI/0-10V available with dimming module

LED

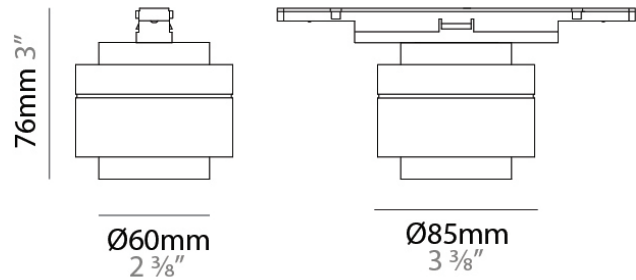
Delivered Lumen Range: 500 - 999 lm
 Color Temperature (°K): 2700 / 3000
 Max. Delivered Lumen (lm): 831 / 878
 Nominal Lumen (lm): 1010 / 1068
 CRI: >97 CRI
 Lamp Life (hrs): 50000

OPTICAL

Optic°: 12 - 46
 Adjustability: Rotational 350°; Tilt 90°

RATINGS AND CERTIFICATIONS

Certified By: Certified for North American Standards
 IP rating: IP20



| | |
|----------|-------|
| PROJECT | _____ |
| TYPE | _____ |
| NOTES | _____ |
| QUANTITY | _____ |
| DATE | _____ |

A7VIIV-DUO-SUS-SYS COMPONENTS TRACK

A7T00067-

DESCRIPTION

Viavai System - Zoom Suspension Spot Light - 1 x 13W LED, 2700K/3000K, 878lm, CRI97, Optic Range: 12° - 46

GENERAL

Series: Viavai
 Partner: Letroh
 Division: Architectural
 Installation: Track
 Product Type: Pendant
 Mounting Location: Ceiling
 Light Distribution: Adjustable / Direct

PHYSICAL

Aperture Sizes - Downlights: 2"
 Shape: Cylinder
 Length (mm): 85
 Length (in): 3 3/4
 Height (mm): 76
 Height (in): 3
 Max. Overall Height (mm): 2076
 Max. Overall Height (in): 81 3/4
 Fixture Finish: WHI / BLK
 Fixture Material: Aluminum
 Cable Details: 2,000mm/ 78 3/4" Cable

ELECTRICAL

Input Wattage Range: 10 - 19 W
 Lamp Type: LED
 Input Wattage (W): 13
 Dimming: Non-Dimming / DALI Dimming
 Driver Included: No
 Driver Location: Remote
 Driver Type: Constant Voltage - Universal
 Driver Class: Class 2
 Input Voltage (V): 120 - 277
 Output Voltage (V): 48
 Upon Request: DALI/0-10V available with dimming module

LED

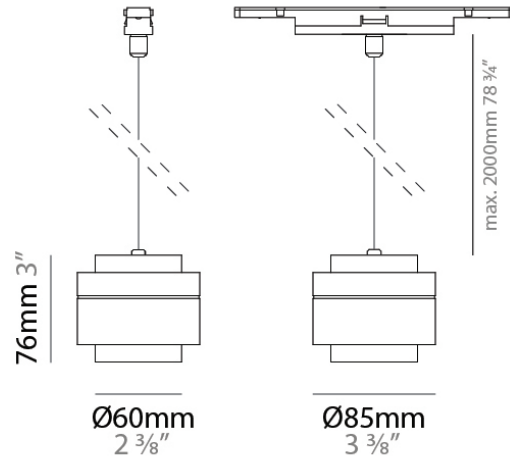
Delivered Lumen Range: 500 - 999 lm
 Color Temperature (°K): 2700 / 3000
 Max. Delivered Lumen (lm): 831 / 878
 Nominal Lumen (lm): 1010 / 1068
 CRI: >97 CRI
 Lamp Life (hrs): 50000

OPTICAL

Optic°: 12 - 46
 Adjustability: Rotational 350°; Tilt 90°

RATINGS AND CERTIFICATIONS

Certified By: Certified for North American Standards
 IP rating: IP20



| |
|----------|
| PROJECT |
| TYPE |
| NOTES |
| QUANTITY |
| DATE |

A7VIIV-DUO-SUS-SYS COMPONENTS TRACK

A7T00068-

DESCRIPTION

Viavai System - Bob Adjustable Light, 20W LED, 27000K/3000K, Max1900lm, 48V, CRI97 - Non-Dimming / 0-10V Dimming - Optics 30° / 40° / 60° / OV / RL / WW

GENERAL

Series: Viavai
 Partner: Letroh
 Division: Architectural
 Installation: Track
 Product Type: Spots
 Mounting Location: Wall / Ceiling
 Light Distribution: Adjustable / Direct

PHYSICAL

Aperture Sizes - Downlights: 2"
 Shape: Cylinder
 Diameter (mm): 65
 Diameter (in): 2 9/16
 Width (mm): 107
 Width (in): 4 3/16
 Height (mm): 115
 Height (in): 4 1/2
 Fixture Finish: WHI / BLK
 Fixture Material: Aluminum

ELECTRICAL

Input Wattage Range: 20 - 29 W
 Lamp Type: LED
 Input Wattage (W): 20
 Dimming: Non-Dimming / DALI Dimming
 Driver Included: No
 Driver Location: Remote
 Driver Type: Constant Voltage - Universal
 Driver Class: Class 2
 Input Voltage (V): 120 - 277
 Output Voltage (V): 48
 Upon Request: DALI/0-10V available with dimming module

LED

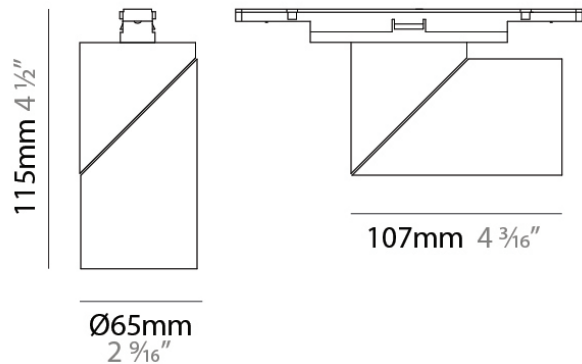
Delivered Lumen Range: 500 - 1999 lm
 Color Temperature (°K): 2700 / 3000
 Max. Delivered Lumen (lm): 728 - 1900
 CRI: >97 CRI
 Lamp Life (hrs): 50000

OPTICAL

Optic°: 30 / 40 / 60 / OV / RT / WW
 Adjustability: Rotational 350°; Tilt 90°

RATINGS AND CERTIFICATIONS

Certified By: Certified for North American Standards
 IP rating: IP20



LEGEND

| | | | | | |
|--|---|--|--|--|--|
| | floor-mounted | | pivotable | | special LED (upon request) RGB, RGBW, tunable, gold+, meat+, art+, fashion+ |
| | wall and ceiling: recessed and surface mounted | | rotating | | warm dim / natural dimming LED |
| | ceiling-mounted and wall-mounted | | illuminate tilted | | rechargeable battery powered |
| | wall-mounted | | color of suspension cable | | fixture with natural vivid LED (upon request) |
| | omni-directional light distribution | | length of suspension cable | | color rendering index |
| | direct light distribution | | reflector degree selection | | color temperature |
| | direct/indirect light distribution | | super spot | | lumen (luminous flux) |
| | indirect light distribution | | lens | | efficacy (lumens per watt) |
| | asymmetric light distribution | | lens pack | | Unified Glare Rating (UGR) range from 5-40 |
| | aura light distribution | | shine ring | | marine grade (AISI 316 stainless steel) |
| | round wall or ceiling cut-out | | integrated shine ring with diffuser | | walk on |
| | square wall or ceiling cut-out | | free individual colors 01-29 | | drive on |
| | the supplied jig specifies the cutout dimensions | | individual colors: 00 (free of charge), 01-25 (extra charge) | | Dark Sky Compliance |
| | minimum distance (meters) lamp - object | | luminaire part to be colored (F1) | | Americans with Disabilities Act (less than 4" off the wall located between 27"-84" from floor) |
| | recessed depth | | luminaire part to be colored (F2) | | lamp protected against explosion |
| | ceiling thickness in mm | | luminaire part to be colored (F3) | | blown glass using traditional methods by master glass blower |
| | ceiling thickness selection | | luminaire part to be colored (F4) | | acoustic material |
| | dimmable DP (phase), DV (0-10V), DD (dali), DS (step-dim) | | luminaire part to be colored (F5) | | protection class I, protection insulation |
| | included or excluded LED driver/transformer/control gear | | color of 3-circuit adaptor | | protection class II, protection insulation |
| | separately switchable | | indirect diffuser | | ETL Certified to UL and CSA Standards |
| | sensor | | direct diffuser | | UL Certified to UL and CSA Standards |
| | remote control | | ball-proof (upon request) | | CSA Certified to UL and CSA Standards |
| | available upon request | | accessory | | Certified for North American Standards |

IP RATING

| | |
|--|--|
| | protected against ingress of solid bodies greater than 12.5mm (finger) |
| | protected against ingress of solid bodies greater than 2.5mm protected against sprays of water up to 60 degrees from the vertical (rain) |
| | protected against ingress of solid bodies greater than 1mm (wire) no protection against the ingress of moisture |
| | protected against ingress of solid bodies greater than 1mm (wire) protected against sprays of water up to 60 degrees from the vertical (rain) |
| | protected against ingress of solid bodies greater than 1mm (wire) protected against water splashed from all directions |
| | protected against limited ingress of dust (wet rooms/covered outdoor areas) protected against water splashed from all directions |
| | protected against ingress of dust protected against jets of water |
| | protected against ingress of dust protected against powerful jets of water or heavy seas |
| | protected against ingress of dust protected against immersion of water between 15cm - 1m for 30 minutes |
| | protected against ingress of dust protected against immersion of water under pressure for long periods |

IK RATING

| | |
|--|---|
| | protected against 0.14 joules impact (equivalent to 0.25kg mass dropped from 56mm above the surface) |
| | protected against 0.2 joules impact (equivalent to 0.25kg mass dropped from 80mm above the surface) |
| | protected against 0.35 joules impact (equivalent to 0.25kg mass dropped from 140mm above the surface) |
| | protected against 0.5 joules impact (equivalent to 0.25kg mass dropped from 200mm above the surface) |
| | protected against 0.7 joules impact (equivalent to 0.25kg mass dropped from 280mm above the surface) |
| | protected against 1 joules impact (equivalent to 0.25kg mass dropped from 400mm above the surface) |
| | protected against 2 joules impact (equivalent to 0.5kg mass dropped from 400mm above the surface) |
| | protected against 5 joules impact (equivalent to 1.7kg mass dropped from 300mm above the surface) |
| | protected against 10 joules impact (equivalent to 5.0kg mass dropped from 200mm above the surface) |
| | protected against 20 joules impact (equivalent to 5.0kg mass dropped from 400mm above the surface) |