

D10APMS-MOD-SYS COMPONENTS SUSPENSION

D101900-

DESCRIPTION

Apple Mood - Suspension - 115mm / 4 1/2" - 6W LED - 12Vdc - 2700K - 200lm - Clear Glass - No Canopy

GENERAL

Series: Apple Mood

Subseries: Apple Mood Modular

Partner: Quasar

Division: Design

Installation: Suspension

Product Type: Pendant

Mounting Location: Ceiling

PHYSICAL

Shape: Oval

Diameter (mm): 115

Diameter (in): 4 1/2

Height (mm): 95

Height (in): 3 3/4

Max. Overall Height (mm): 2095

Max. Overall Height (in): 82 1/2

Diffuser: Clear Glass

Fixture Finish: PAL / BRA / COP / BLK / GRN / RED

Fixture Material: Glass / Aluminum

Cable Details: 2000mm cable

ELECTRICAL

Input Wattage Range: 1 - 9 W

Lamp Type: LED

Input Wattage (W): 6

Total Output Wattage (W): 2.5

Dimming: Non-Dimming / Phase Dimming (120Vac only) / 0-10V

Dimming

Driver Included: No

Driver Location: See canopy components

Driver Type: Constant Voltage - Universal

Driver Class: Class 2

Input Voltage (V): 120 - 277

Output Voltage (V): 12

Upon Request: Dimming has minimum quantity requirements.

LED

Number of LEDs: 1

Color Temperature (°K): 2700

Max. Delivered Lumen (lm): 200

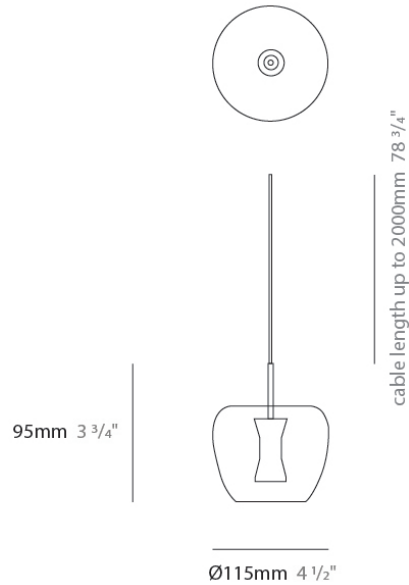
CRI: >90 CRI

Lamp Life (hrs): 50000

RATINGS AND CERTIFICATIONS

Certified By: Certified for North American Standards

IP rating: IP20



D10APMS-MOD-SYS COMPONENTS SUSPENSION

PROJECT
TYPE
NOTES
QUANTITY
DATE

D101904-

DESCRIPTION
 Apple Mood - Suspension - 115mm / 4 1/2" - 6W LED - 12Vdc - 2700K - 200lm - Gold Glass with Gold Core - No Canopy

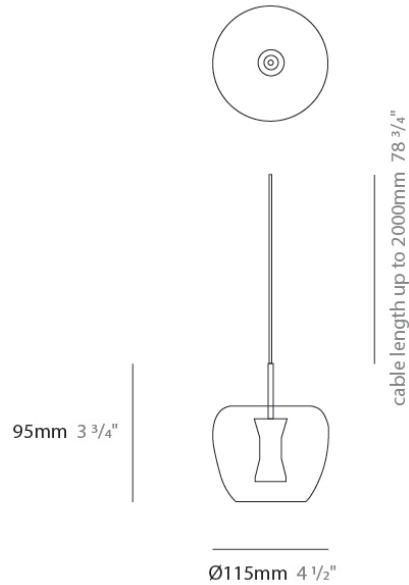
GENERAL
 Series: Apple Mood
 Subseries: Apple Mood Modular
 Partner: Quasar
 Division: Design
 Installation: Suspension
 Product Type: Pendant
 Mounting Location: Ceiling

PHYSICAL
 Shape: Oval
 Diameter (mm): 115
 Diameter (in): 4 1/2
 Height (mm): 95
 Height (in): 3 3/4
 Max. Overall Height (mm): 2095
 Max. Overall Height (in): 82 1/2
 Diffuser: Gold Glass
 Fixture Finish: GLD
 Fixture Material: Glass / Aluminum
 Cable Details: 2000mm cable

ELECTRICAL
 Input Wattage Range: 1 - 9 W
 Lamp Type: LED
 Input Wattage (W): 6
 Total Output Wattage (W): 2.5
 Dimming: Non-Dimming / Phase Dimming (120Vac only) / 0-10V Dimming
 Driver Included: No
 Driver Location: See canopy components
 Driver Type: Constant Voltage - Universal
 Driver Class: Class 2
 Input Voltage (V): 120 - 277
 Output Voltage (V): 12
 Upon Request: Dimming has minimum quantity requirements.

LED
 Number of LEDs: 1
 Color Temperature (°K): 2700
 Max. Delivered Lumen (lm): 200
 CRI: >90 CRI
 Lamp Life (hrs): 50000

RATINGS AND CERTIFICATIONS
 Certified By: Certified for North American Standards
 IP rating: IP20



PROJECT	
TYPE	
NOTES	
QUANTITY	
DATE	

D10APMS-MOD-SYS COMPONENTS SURFACE

D109093-

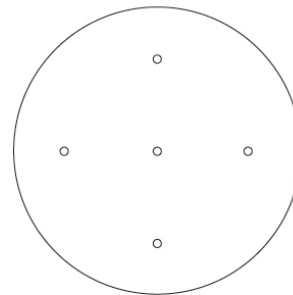
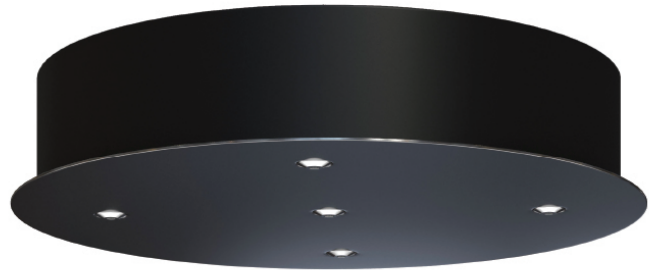
DESCRIPTION
 Apple Mood - 250mm Round Canopy (5 hole) - Black with Chrome Cover Plate - Non-dimming / 0-10Vdc Dimming / Phase Dimming

GENERAL
 Series: Apple Mood
 Subseries: Apple Mood Modular
 Partner: Quasar
 Division: Design
 Installation: Surface
 Mounting Location: Ceiling

PHYSICAL
 Shape: Round
 Diameter (mm): 250
 Diameter (in): 9 13/16
 Height (mm): 50
 Height (in): 1 15/16
 Fixture Finish: BKC
 Fixture Material: Aluminum

ELECTRICAL
 Lamp Type: LED
 Dimming: 0-10V Dimming / Phase Dimming (120Vac Only)
 Driver Included: Yes
 Driver Location: Integrated
 Driver Type: Constant Voltage - Universal
 Driver Class: Class 2
 Input Voltage (V): 120 - 277
 Output Voltage (V): 12
 Constant Voltage (V): 12

RATINGS AND CERTIFICATIONS
 Certified By: Certified for North American Standards
 IP rating: IP20



Ø250mm 9 13/16"



D10APMS-MOD-SYS COMPONENTS SUSPENSION

D109094-

DESCRIPTION

Apple Mood - 60mm Recessed Round Canopy (1 hole) -

GENERAL

Series: Apple Mood

Subseries: Apple Mood Modular

Partner: Quasar

Division: Design

Installation: Suspension

Mounting Location: Ceiling

PHYSICAL

Shape: Round

Diameter (mm): 60

Diameter (in): 2 ³/₈

Height (mm): 10

Height (in): 3/8

Fixture Finish: PSS / GLD

Fixture Material: Aluminum

ELECTRICAL

Lamp Type: LED

Dimming: Non-Dimmable

Driver Included: No

Driver Location: Remote

Driver Type: Constant Voltage - 120 / 277Vac

Driver Class: Class 2

Input Voltage (V): 120 - 277

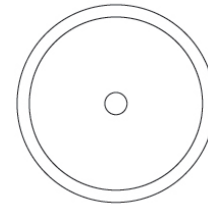
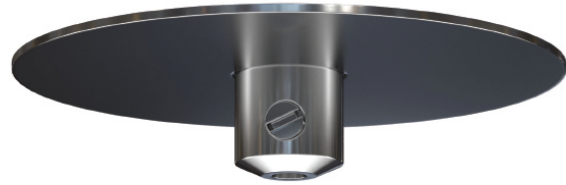
Output Voltage (V): 12

Constant Voltage (V): 12

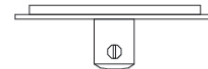
RATINGS AND CERTIFICATIONS

Certified By: Certified for North American Standards

IP rating: IP20



10mm ³/₈"



Ø60mm 2 ³/₈"



D10APMS-MOD-SYS COMPONENTS SURFACE

PROJECT
TYPE
NOTES
QUANTITY
DATE

D109095-

DESCRIPTION
 Apple Mood - Ø140mm / 4 1/2" Round Canopy (1 hole) - Black with Chrome Cover Plate - Phase Dimming and 0-10V Dimming

GENERAL

Series: Apple Mood
 Subseries: Apple Mood Modular
 Partner: Quasar
 Division: Design
 Installation: Surface
 Mounting Location: Ceiling

PHYSICAL

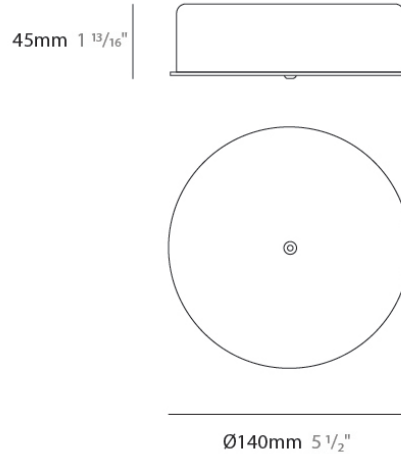
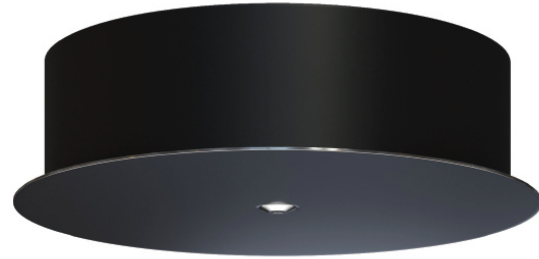
Shape: Round
 Diameter (mm): 140
 Diameter (in): 5 1/2
 Height (mm): 45
 Height (in): 1 7/8
 Fixture Finish: BKC
 Fixture Material: Aluminum

ELECTRICAL

Input Wattage Range: 1 - 9 W
 Lamp Type: LED
 Input Wattage (W): 6
 Total Output Wattage (W): 2.5
 Dimming: Non-Dimmable
 Driver Included: Yes
 Driver Location: Integrated
 Driver Type: Constant Voltage - Universal
 Driver Class: Class 2
 Input Voltage (V): 120 - 277
 Output Voltage (V): 12

RATINGS AND CERTIFICATIONS

Certified By: Certified for North American Standards
 IP rating: IP20



PROJECT
TYPE
NOTES
QUANTITY
DATE

D10APMS-MOD-SYS COMPONENTS SURFACE

D109096-

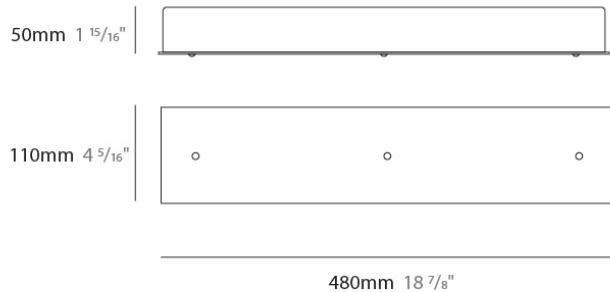
DESCRIPTION
 Apple Mood - 480mm x 110mm Rectangle Canopy (3 hole) - Black with Chrome Cover Plate - Phase Dimming / 0-10Vdc Dimming

GENERAL
 Series: Apple Mood
 Subseries: Apple Mood Modular
 Partner: Quasar
 Division: Design
 Installation: Surface
 Mounting Location: Ceiling

PHYSICAL
 Shape: Rectangle
 Length (mm): 480
 Length (in): 18 7/8
 Width (mm): 110
 Width (in): 4 5/16
 Height (mm): 50
 Height (in): 1 15/16
 Fixture Finish: BKC
 Fixture Material: Aluminum

ELECTRICAL
 Lamp Type: LED
 Dimming: 0-10V Dimming / Phase Dimming (120Vac Only)
 Driver Included: Yes
 Driver Location: Integrated
 Driver Type: Constant Voltage - Universal
 Driver Class: Class 2
 Input Voltage (V): 120 - 277
 Output Voltage (V): 12
 Constant Voltage (V): 12

RATINGS AND CERTIFICATIONS
 Certified By: Certified for North American Standards
 IP rating: IP20



PROJECT
TYPE
NOTES
QUANTITY
DATE

D10APMS-MOD-SYS COMPONENTS SURFACE

D109097-

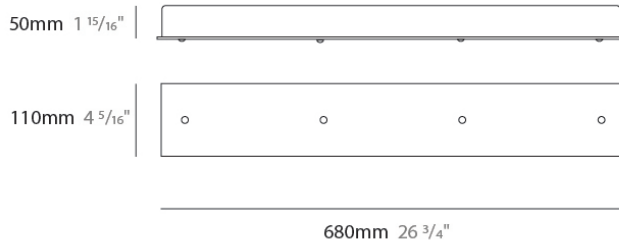
DESCRIPTION
 Apple Mood - 680mm x 110mm Rectangle Canopy (4 hole) - Black with Chrome Cover Plate - Phase Dimming / 0-10Vdc Dimming

GENERAL
 Series: Apple Mood
 Subseries: Apple Mood Modular
 Partner: Quasar
 Division: Design
 Installation: Surface
 Mounting Location: Ceiling

PHYSICAL
 Shape: Rectangle
 Length (mm): 680
 Length (in): 26 3/4
 Width (mm): 110
 Width (in): 4 5/16
 Height (mm): 50
 Height (in): 1 15/16
 Fixture Finish: BKC
 Fixture Material: Aluminum

ELECTRICAL
 Lamp Type: LED
 Dimming: 0-10V Dimming / Phase Dimming (120Vac Only)
 Driver Included: Yes
 Driver Location: Integrated
 Driver Type: Constant Voltage - Universal
 Driver Class: Class 2
 Input Voltage (V): 120 - 277
 Output Voltage (V): 12
 Constant Voltage (V): 12

RATINGS AND CERTIFICATIONS
 Certified By: Certified for North American Standards
 IP rating: IP20



PROJECT
TYPE
NOTES
QUANTITY
DATE

D10APMS-MOD-SYS COMPONENTS SURFACE

D109098-

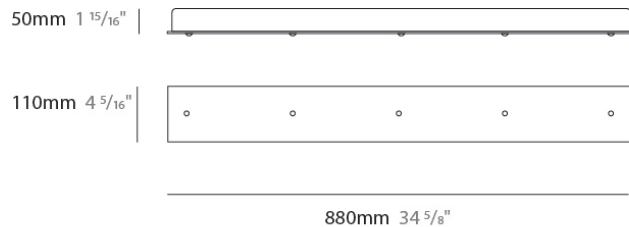
DESCRIPTION
 Apple Mood - 880mm x 110mm Rectangle Canopy (5 hole) - Black with Chrome Cover Plate - Phase Dimming / 0-10Vdc Dimming

GENERAL
 Series: Apple Mood
 Subseries: Apple Mood Modular
 Partner: Quasar
 Division: Design
 Installation: Surface
 Mounting Location: Ceiling

PHYSICAL
 Shape: Rectangle
 Length (mm): 880
 Length (in): 34 5/8
 Width (mm): 110
 Width (in): 4 5/16
 Height (mm): 50
 Height (in): 1 15/16
 Fixture Finish: BKC
 Fixture Material: Aluminum

ELECTRICAL
 Lamp Type: LED
 Dimming: 0-10V Dimming / Phase Dimming (120Vac Only)
 Driver Included: Yes
 Driver Location: Integrated
 Driver Type: Constant Voltage - Universal
 Driver Class: Class 2
 Input Voltage (V): 120 - 277
 Output Voltage (V): 12
 Constant Voltage (V): 12

RATINGS AND CERTIFICATIONS
 Certified By: Certified for North American Standards
 IP rating: IP20



PROJECT
TYPE
NOTES
QUANTITY
DATE

D10APMS-MOD-SYS COMPONENTS SURFACE

D109099-

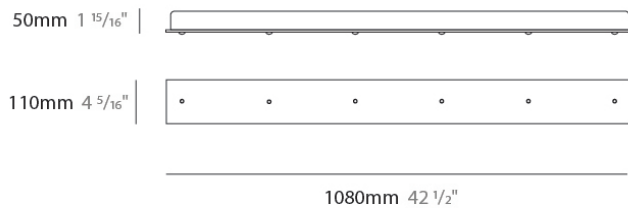
DESCRIPTION
 Apple Mood - 1080mm x 110mm Rectangle Canopy (6 hole) - Black with Chrome Cover Plate - Phase Dimming / 0-10Vdc Dimming

GENERAL
 Series: Apple Mood
 Subseries: Apple Mood Modular
 Partner: Quasar
 Division: Design
 Installation: Surface
 Mounting Location: Ceiling

PHYSICAL
 Shape: Rectangle
 Length (mm): 1080
 Length (in): 42 1/2
 Width (mm): 110
 Width (in): 4 5/16
 Height (mm): 50
 Height (in): 1 15/16
 Fixture Finish: BKC
 Fixture Material: Aluminum

ELECTRICAL
 Lamp Type: LED
 Dimming: 0-10V Dimming / Phase Dimming (120Vac Only)
 Driver Included: Yes
 Driver Location: Integrated
 Driver Type: Constant Voltage - Universal
 Driver Class: Class 2
 Input Voltage (V): 120 - 277
 Output Voltage (V): 12
 Constant Voltage (V): 12

RATINGS AND CERTIFICATIONS
 Certified By: Certified for North American Standards
 IP rating: IP20



PROJECT
TYPE
NOTES
QUANTITY
DATE

D10APMS-MOD-SYS COMPONENTS SURFACE

D109100-

DESCRIPTION
 Apple Mood - 1280mm x 110mm Rectangle Canopy (7 hole) - Black with Chrome Cover Plate - Phase Dimming / 0-10Vdc Dimming

GENERAL

Series: Apple Mood
 Subseries: Apple Mood Modular
 Partner: Quasar
 Division: Design
 Installation: Surface
 Mounting Location: Ceiling

PHYSICAL

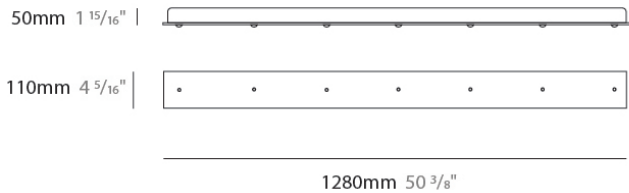
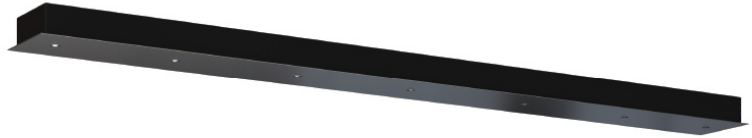
Shape: Rectangle
 Length (mm): 1280
 Length (in): 50 ³/₈
 Width (mm): 110
 Width (in): 4 ⁵/₁₆
 Height (mm): 50
 Height (in): 1 ¹⁵/₁₆
 Fixture Finish: BKC
 Fixture Material: Aluminum

ELECTRICAL

Lamp Type: LED
 Dimming: 0-10V Dimming / Phase Dimming (120Vac Only)
 Driver Included: Yes
 Driver Location: Integrated
 Driver Type: Constant Voltage - Universal
 Driver Class: Class 2
 Input Voltage (V): 120 - 277
 Output Voltage (V): 12
 Constant Voltage (V): 12

RATINGS AND CERTIFICATIONS

Certified By: Certified for North American Standards
 IP rating: IP20



PROJECT	_____
TYPE	_____
NOTES	_____
QUANTITY	_____
DATE	_____

D10APMS-MOD-SYS COMPONENTS SURFACE

D109104-

DESCRIPTION

Apple Mood - 200mm Round Canopy (5 hole Swag) - Black with Chrome Cover Plate - Phase Dimming / 0-10Vdc Dimming

GENERAL

Series: Apple Mood
 Subseries: Apple Mood Modular
 Partner: Quasar
 Division: Design
 Installation: Surface
 Mounting Location: Ceiling

PHYSICAL

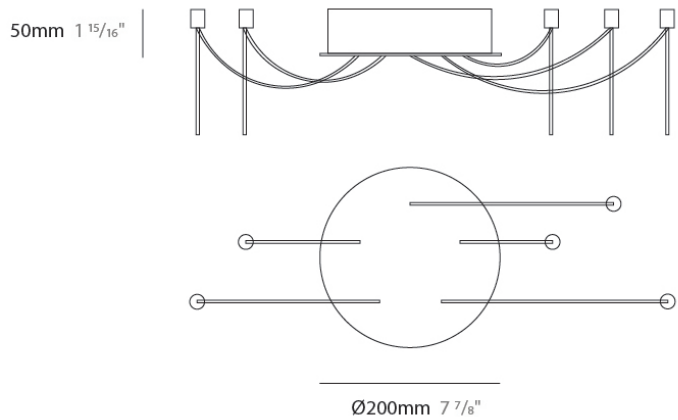
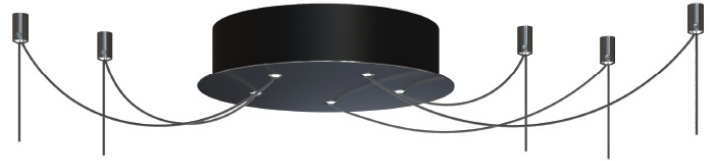
Shape: Round
 Diameter (mm): 200
 Diameter (in): 7 7/8
 Height (mm): 50
 Height (in): 1 15/16
 Fixture Finish: BKC
 Fixture Material: Aluminum

ELECTRICAL

Lamp Type: LED
 Dimming: 0-10V Dimming / Phase Dimming (120Vac Only)
 Driver Included: Yes
 Driver Location: Integrated
 Driver Type: Constant Voltage - Universal
 Driver Class: Class 2
 Input Voltage (V): 120 - 277
 Output Voltage (V): 12
 Constant Voltage (V): 12

RATINGS AND CERTIFICATIONS

Certified By: Certified for North American Standards
 IP rating: IP20



PROJECT	
TYPE	
NOTES	
QUANTITY	
DATE	

D10APMS-MOD-SYS COMPONENTS SURFACE

D109106-

DESCRIPTION

Apple Mood - 335mm Round Canopy (9 hole) - Black with Chrome Cover Plate - Phase Dimming / 0-10Vdc Dimming

GENERAL

Series: Apple Mood
Subseries: Apple Mood Modular
Partner: Quasar
Division: Design
Installation: Surface
Mounting Location: Ceiling

PHYSICAL

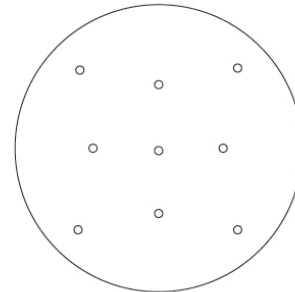
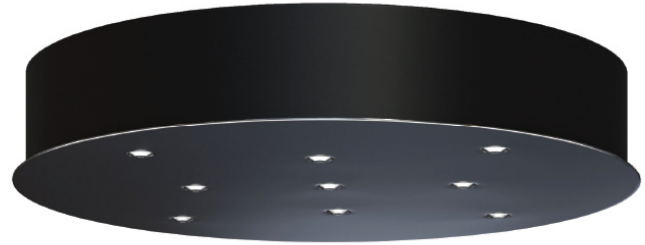
Shape: Round
Diameter (mm): 335
Diameter (in): 13 ³/₁₆"
Height (mm): 50
Height (in): 1 ¹⁵/₁₆"
Fixture Finish: BKC
Fixture Material: Aluminum

ELECTRICAL

Lamp Type: LED
Dimming: 0-10V Dimming / Phase Dimming (120Vac Only)
Driver Included: Yes
Driver Location: Integrated
Driver Type: Constant Voltage - Universal
Driver Class: Class 2
Input Voltage (V): 120 - 277
Output Voltage (V): 12
Constant Voltage (V): 12

RATINGS AND CERTIFICATIONS

Certified By: Certified for North American Standards
IP rating: IP20



Ø335mm 13 ³/₁₆"



LEGEND

	floor-mounted		pivotable		special LED (upon request) RGB, RGBW, tunable, gold+, meat+, art+, fashion+
	wall and ceiling: recessed and surface mounted		rotating		warm dim / natural dimming LED
	ceiling-mounted and wall-mounted		illuminate tilted		rechargeable battery powered
	wall-mounted		color of suspension cable		fixture with natural vivid LED (upon request)
	omni-directional light distribution		length of suspension cable		color rendering index
	direct light distribution		reflector degree selection		color temperature
	direct/indirect light distribution		super spot		lumen (luminous flux)
	indirect light distribution		lens		efficacy (lumens per watt)
	asymmetric light distribution		lens pack		Unified Glare Rating (UGR) range from 5-40
	aura light distribution		shine ring		marine grade (AISI 316 stainless steel)
	round wall or ceiling cut-out		integrated shine ring with diffuser		walk on
	square wall or ceiling cut-out		free individual colors 01-29		drive on
	the supplied jig specifies the cutout dimensions		individual colors: 00 (free of charge), 01-25 (extra charge)		Dark Sky Compliance
	minimum distance (meters) lamp - object		luminaire part to be colored (F1)		Americans with Disabilities Act (less than 4" off the wall located between 27"-84" from floor)
	recessed depth		luminaire part to be colored (F2)		lamp protected against explosion
	ceiling thickness in mm		luminaire part to be colored (F3)		blown glass using traditional methods by master glass blower
	ceiling thickness selection		luminaire part to be colored (F4)		acoustic material
	dimmable DP (phase), DV (0-10V), DD (dali), DS (step-dim)		luminaire part to be colored (F5)		protection class I, protection insulation
	included or excluded LED driver/transformer/control gear		color of 3-circuit adaptor		protection class II, protection insulation
	separately switchable		indirect diffuser		ETL Certified to UL and CSA Standards
	sensor		direct diffuser		UL Certified to UL and CSA Standards
	remote control		ball-proof (upon request)		CSA Certified to UL and CSA Standards
	available upon request		accessory		Certified for North American Standards

IP RATING

	protected against ingress of solid bodies greater than 12.5mm (finger)
	protected against ingress of solid bodies greater than 2.5mm protected against sprays of water up to 60 degrees from the vertical (rain)
	protected against ingress of solid bodies greater than 1mm (wire) no protection against the ingress of moisture
	protected against ingress of solid bodies greater than 1mm (wire) protected against sprays of water up to 60 degrees from the vertical (rain)
	protected against ingress of solid bodies greater than 1mm (wire) protected against water splashed from all directions
	protected against limited ingress of dust (wet rooms/covered outdoor areas) protected against water splashed from all directions
	protected against ingress of dust protected against jets of water
	protected against ingress of dust protected against powerful jets of water or heavy seas
	protected against ingress of dust protected against immersion of water between 15cm - 1m for 30 minutes
	protected against ingress of dust protected against immersion of water under pressure for long periods

IK RATING

	protected against 0.14 joules impact (equivalent to 0.25kg mass dropped from 56mm above the surface)
	protected against 0.2 joules impact (equivalent to 0.25kg mass dropped from 80mm above the surface)
	protected against 0.35 joules impact (equivalent to 0.25kg mass dropped from 140mm above the surface)
	protected against 0.5 joules impact (equivalent to 0.25kg mass dropped from 200mm above the surface)
	protected against 0.7 joules impact (equivalent to 0.25kg mass dropped from 280mm above the surface)
	protected against 1 joules impact (equivalent to 0.25kg mass dropped from 400mm above the surface)
	protected against 2 joules impact (equivalent to 0.5kg mass dropped from 400mm above the surface)
	protected against 5 joules impact (equivalent to 1.7kg mass dropped from 300mm above the surface)
	protected against 10 joules impact (equivalent to 5.0kg mass dropped from 200mm above the surface)
	protected against 20 joules impact (equivalent to 5.0kg mass dropped from 400mm above the surface)