

PROJECT	_____
TYPE	_____
NOTES	_____
QUANTITY	_____
DATE	_____

D10CITA-MOD-SYS COMPONENTS SUSPENSION

D101285-

DESCRIPTION
 Citadel Composition - Ring - Suspension - Ø780mm / 30 11/16" - 44 x 0.33W Retrofit LED - 12V

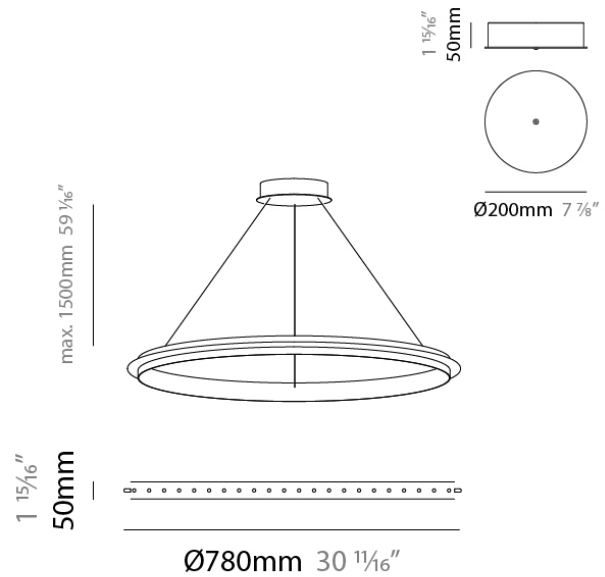
GENERAL
 Series: Citadel
 Subseries: Citadel Composition Modular System
 Partner: Quasar
 Division: Design
 Installation: Suspension
 Product Type: Clusters
 Mounting Location: Ceiling

PHYSICAL
 Shape: Round
 Diameter (mm): 780
 Diameter (in): 30 11/16
 Height (mm): 50
 Height (in): 1 15/16
 Max. Overall Height (mm): 1500
 Max. Overall Height (in): 59 1/16
 Weight (kg): 3
 Weight (lbs): 6.61
 Fixture Finish: NIC / BRA / BBR
 Fixture Material: Metal
 Cable Details: 1500mm cable

ELECTRICAL
 Input Wattage Range: 10 - 19 W
 Number of Lamps: 44
 Lamp Type: LED
 Input Wattage (W): 14.52
 Max. Wattage Per Lamp (W): 0.33
 Lamp Base: E10
 Dimming: Non-Dimming / Phase Dimming (120Vac only) / 0-10V Dimming
 Driver Included: No
 Driver Location: See canopy components
 Driver Type: Constant Voltage - 120/277Vac
 Driver Class: Class 2
 Input Voltage (V): 120 - 277
 Output Voltage (V): 12
 Lamp Voltage (V): 12

LED
 Delivered Lumen Range: 500 - 1999 lm
 Color Temperature (°K): 2600 / 3000 / 3500
 Max. Delivered Lumen (lm): 1012 (2600K)
 CRI: >90 CRI
 Lamp Life (hrs): 20000

RATINGS AND CERTIFICATIONS
 Certified By: Certified for North American Standards
 IP rating: IP20



PROJECT	
TYPE	
NOTES	
QUANTITY	
DATE	

D10CITA-MOD-SYS COMPONENTS SUSPENSION

D101288-

DESCRIPTION
 Citadel Composition - Double Lighting - Ring - Suspension -
 Ø780mm / 30 11/16" - 88 x 0.33W Retrofit LED - 12V

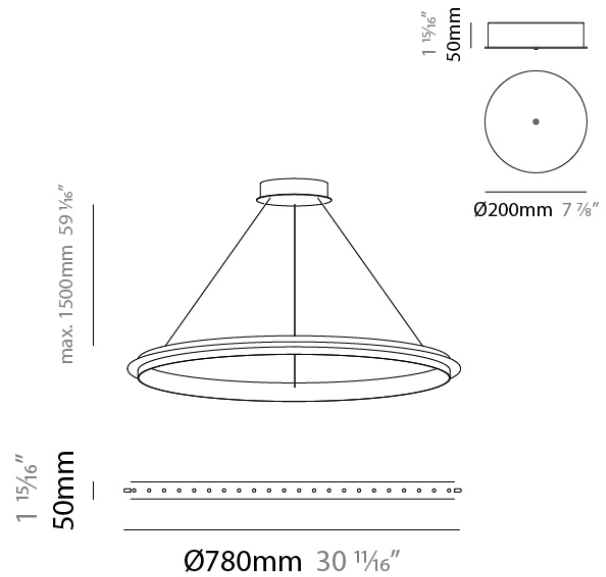
GENERAL
 Series: Citadel
 Subseries: Citadel Composition Modular System
 Partner: Quasar
 Division: Design
 Installation: Suspension
 Product Type: Clusters
 Mounting Location: Ceiling

PHYSICAL
 Shape: Round
 Diameter (mm): 780
 Diameter (in): 30 11/16
 Height (mm): 50
 Height (in): 1 15/16
 Max. Overall Height (mm): 1500
 Max. Overall Height (in): 59 1/16
 Weight (kg): 6
 Weight (lbs): 13.23
 Fixture Finish: NIC / BRA / BBR
 Fixture Material: Metal
 Cable Details: 1500mm cable

ELECTRICAL
 Number of Lamps: 88
 Lamp Type: LED Retrofit
 Total Output Wattage (W): 29.04
 Max. Wattage Per Lamp (W): 0.33
 Lamp Base: E10
 Dimming: Phase Dimming (120Vac Only)
 Driver Included: No
 Driver Location: See canopy components
 Driver Type: Constant Voltage - Universal
 Input Voltage (V): 120 - 277
 Output Voltage (V): 12
 Lamp Voltage (V): 12
 Upon Request: Phase dimming @120Vac only / Non-dimming @277Vac

LED
 Delivered Lumen Range: 2000 - 2999 lm
 Color Temperature (°K): 2600 / 3000 / 3500
 Max. Delivered Lumen (lm): 2024 (2600K)
 CRI: >90 CRI
 Lamp Life (hrs): 20000

RATINGS AND CERTIFICATIONS
 Certified By: Certified for North American Standards
 IP rating: IP20



D10CITA-MOD-SYS COMPONENTS SUSPENSION

D101291-

DESCRIPTION
 Citadel Composition - Ring - Suspension - Ø890mm / 35 1/16" - 52 x 0.33W Retrofit LED - 12V

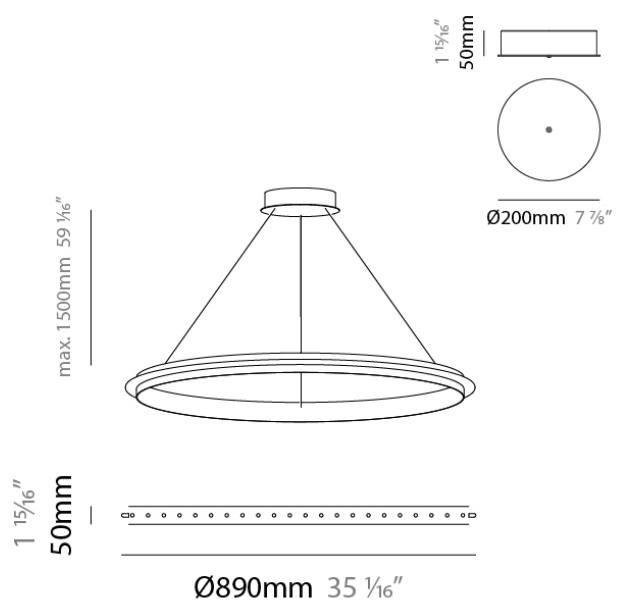
GENERAL
 Series: Citadel
 Subseries: Citadel Composition Modular System
 Partner: Quasar
 Division: Design
 Installation: Suspension
 Product Type: Clusters
 Mounting Location: Ceiling

PHYSICAL
 Shape: Round
 Diameter (mm): 890
 Diameter (in): 35 1/16
 Height (mm): 50
 Height (in): 1 15/16
 Max. Overall Height (mm): 1500
 Max. Overall Height (in): 59 1/16
 Weight (kg): 3
 Weight (lbs): 6.6
 Fixture Finish: NIC / BRA / BBR
 Fixture Material: Metal
 Cable Details: 1500mm cable

ELECTRICAL
 Number of Lamps: 52
 Lamp Type: LED Retrofit
 Bulb Included: Bulb Included
 Total Output Wattage (W): 17.16
 Max. Wattage Per Lamp (W): 0.33
 Lamp Base: E10
 Dimming: Phase Dimming (120Vac Only)
 Driver Included: No
 Driver Location: See canopy components
 Driver Type: Constant Voltage - Universal
 Input Voltage (V): 120 - 277
 Output Voltage (V): 12
 Lamp Voltage (V): 12
 Upon Request: Phase dimming @120Vac only / Non-dimming @277Vac

LED
 Delivered Lumen Range: 1000 - 2999 lm
 Color Temperature (°K): 2600 / 3000 / 3500
 Max. Delivered Lumen (lm): 1196 (2600K)
 CRI: >90 CRI
 Lamp Life (hrs): 20000

RATINGS AND CERTIFICATIONS
 Certified By: Certified for North American Standards
 IP rating: IP20



PROJECT	
TYPE	
NOTES	
QUANTITY	
DATE	

D10CITA-MOD-SYS COMPONENTS SUSPENSION

D101294-

DESCRIPTION
 Citadel Composition - Double Lighting - Ring - Suspension -
 Ø890mm / 35 1/16" - 104 x 0.33W Retrofit LED - 12V

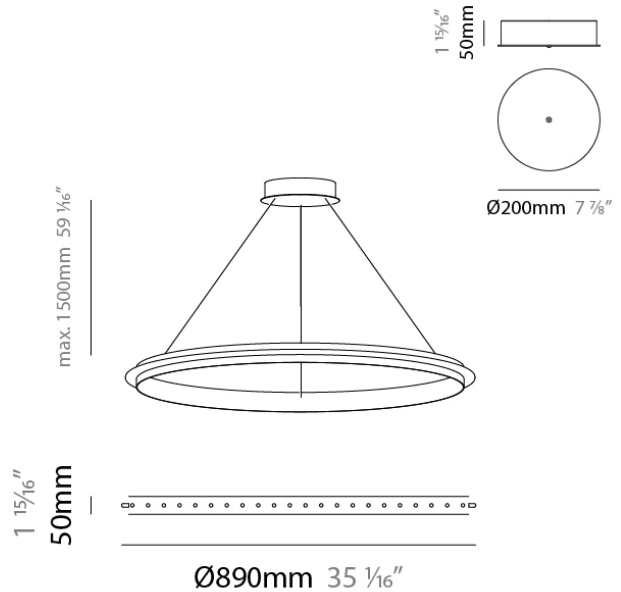
GENERAL
 Series: Citadel
 Subseries: Citadel Composition Modular System
 Partner: Quasar
 Division: Design
 Installation: Suspension
 Product Type: Clusters
 Mounting Location: Ceiling

PHYSICAL
 Shape: Round
 Diameter (mm): 890
 Diameter (in): 35 1/16
 Height (mm): 50
 Height (in): 1 15/16
 Max. Overall Height (mm): 1500
 Max. Overall Height (in): 59 1/16
 Weight (kg): 3
 Weight (lbs): 6.6
 Fixture Finish: NIC / BRA / BBR
 Fixture Material: Metal
 Cable Details: 1500mm cable

ELECTRICAL
 Number of Lamps: 104
 Lamp Type: LED Retrofit
 Bulb Included: Bulb Included
 Total Output Wattage (W): 34.32
 Max. Wattage Per Lamp (W): 0.33
 Lamp Base: E10
 Dimming: Phase Dimming (120Vac Only)
 Driver Included: No
 Driver Location: See canopy components
 Driver Type: Constant Voltage - Universal
 Input Voltage (V): 120 - 277
 Output Voltage (V): 12
 Lamp Voltage (V): 12
 Upon Request: Phase dimming @120Vac only / Non-dimming @277Vac

LED
 Delivered Lumen Range: 2000 - 2999 lm
 Color Temperature (°K): 2600 / 3000 / 3500
 Max. Delivered Lumen (lm): 2392 (2600K)
 CRI: >90 CRI
 Lamp Life (hrs): 20000

RATINGS AND CERTIFICATIONS
 Certified By: Certified for North American Standards
 IP rating: IP20



PROJECT	_____
TYPE	_____
NOTES	_____
QUANTITY	_____
DATE	_____

D10CITA-MOD-SYS COMPONENTS SUSPENSION

D101297-

DESCRIPTION

Citadel Composition - Ring - Suspension - Ø1000mm / 39 3/8" - 60 x 0.33W Retrofit LED - 12V

GENERAL

Series: Citadel
 Subseries: Citadel Composition Modular System
 Partner: Quasar
 Division: Design
 Installation: Suspension
 Product Type: Clusters
 Mounting Location: Ceiling

PHYSICAL

Shape: Round
 Diameter (mm): 1000
 Diameter (in): 39 3/8
 Height (mm): 50
 Height (in): 1 15/16
 Max. Overall Height (mm): 1500
 Max. Overall Height (in): 59 1/16
 Weight (kg): 4
 Weight (lbs): 8.82
 Fixture Finish: NIC / BRA / BBR
 Fixture Material: Metal
 Cable Details: 1500mm cable

ELECTRICAL

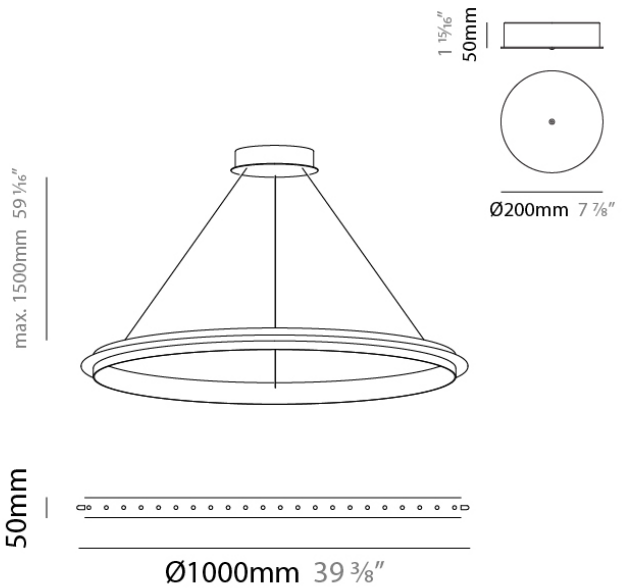
Number of Lamps: 60
 Lamp Type: LED Retrofit
 Bulb Included: Bulb Included
 Total Output Wattage (W): 19.8
 Max. Wattage Per Lamp (W): 0.33
 Lamp Base: E10
 Dimming: Phase Dimming (120Vac Only)
 Driver Included: No
 Driver Location: See canopy components
 Driver Type: Constant Voltage - Universal
 Driver Class: Class 2
 Input Voltage (V): 120 - 277
 Output Voltage (V): 12
 Lamp Voltage (V): 12
 Upon Request: Phase dimming @120Vac only / Non-dimming @277Vac

LED

Delivered Lumen Range: 1000 - 1999 lm
 Color Temperature (°K): 2600 / 3000 / 3500
 Max. Delivered Lumen (lm): 1380 (2600K)
 CRI: >90 CRI
 Lamp Life (hrs): 20000

RATINGS AND CERTIFICATIONS

Certified By: Certified for North American Standards
 IP rating: IP20



PROJECT	
TYPE	
NOTES	
QUANTITY	
DATE	

D10CITA-MOD-SYS COMPONENTS SUSPENSION

D101300-

DESCRIPTION
 Citadel Composition - Double Lighting - Ring - Suspension -
 Ø1000mm / 39 3/8" - 120 x 0.33W Retrofit LED - 12V

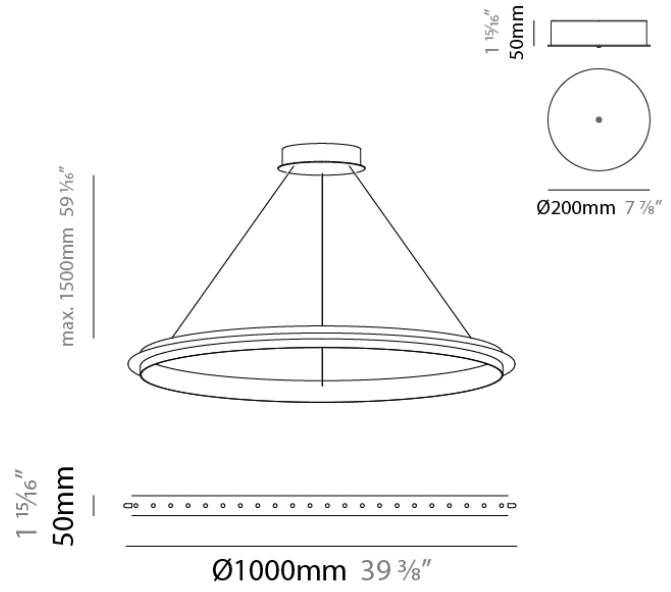
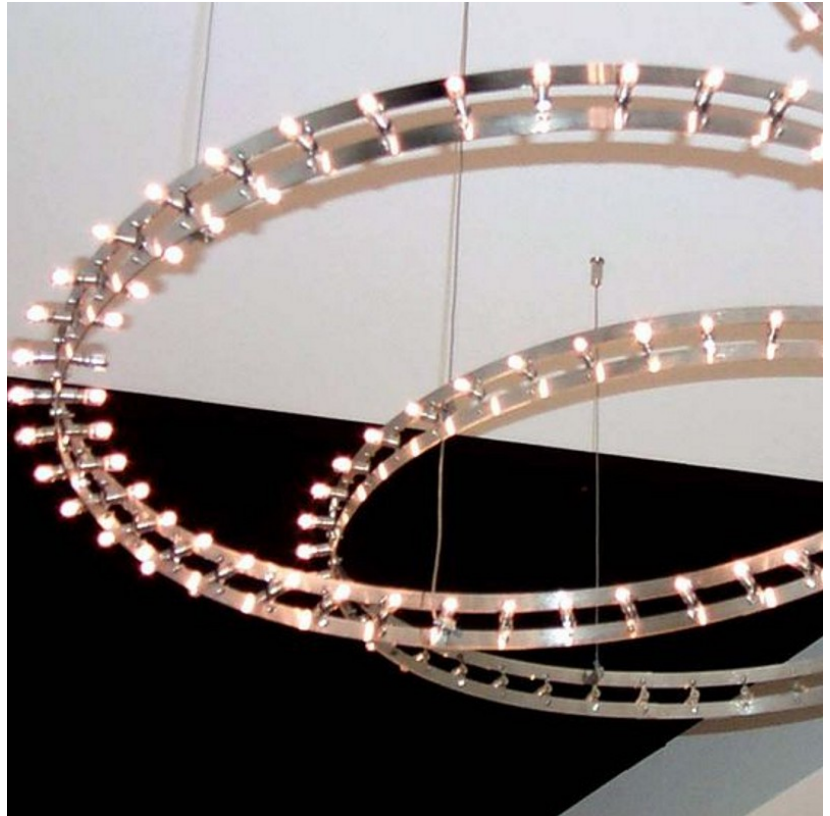
GENERAL
 Series: Citadel
 Subseries: Citadel Composition Modular System
 Partner: Quasar
 Division: Design
 Installation: Suspension
 Product Type: Clusters
 Mounting Location: Ceiling

PHYSICAL
 Shape: Round
 Diameter (mm): 1000
 Diameter (in): 39 3/8"
 Height (mm): 50
 Height (in): 1 15/16"
 Max. Overall Height (mm): 1500
 Max. Overall Height (in): 59 1/16"
 Weight (kg): 4
 Weight (lbs): 8.82
 Fixture Finish: NIC / BRA / BBR
 Fixture Material: Metal
 Cable Details: 1500mm cable

ELECTRICAL
 Number of Lamps: 120
 Lamp Type: LED Retrofit
 Bulb Included: Bulb Included
 Total Output Wattage (W): 39.6
 Max. Wattage Per Lamp (W): 0.33
 Lamp Base: E10
 Dimming: Phase Dimming (120Vac Only)
 Driver Included: No
 Driver Location: See canopy components
 Driver Type: Constant Voltage - Universal
 Input Voltage (V): 120 - 277
 Output Voltage (V): 12
 Lamp Voltage (V): 12
 Upon Request: Phase dimming @120Vac only / Non-dimming @277Vac

LED
 Delivered Lumen Range: 2000 - 2999 lm
 Color Temperature (°K): 2600 / 3000 / 3500
 Max. Delivered Lumen (lm): 2760 (2600K)
 CRI: >90 CRI
 Lamp Life (hrs): 20000

RATINGS AND CERTIFICATIONS
 Certified By: Certified for North American Standards
 IP rating: IP20



D10CITA-MOD-SYS COMPONENTS SUSPENSION

D101588-

DESCRIPTION
 Citadel Composition - Ring - Suspension - Ø1200mm / 47 1/4" - 75 x 0.33W Retrofit LED - 12V

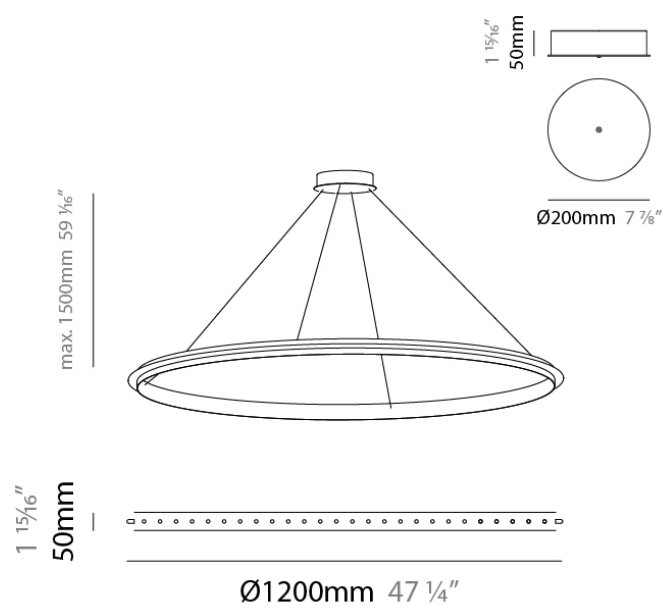
GENERAL
 Series: Citadel
 Subseries: Citadel Composition Modular System
 Partner: Quasar
 Division: Design
 Installation: Suspension
 Product Type: Clusters
 Mounting Location: Ceiling

PHYSICAL
 Shape: Round
 Diameter (mm): 1200
 Diameter (in): 47 1/4
 Height (mm): 50
 Height (in): 1 15/16
 Max. Overall Height (mm): 1550
 Max. Overall Height (in): 61
 Weight (kg): 2
 Weight (lbs): 4.41
 Fixture Finish: NIC / BRA / BBR
 Fixture Material: Metal
 Cable Details: 1500mm Cable

ELECTRICAL
 Number of Lamps: 75
 Lamp Type: LED Retrofit
 Bulb Included: Bulb Included
 Total Output Wattage (W): 24.75
 Max. Wattage Per Lamp (W): 0.33
 Lamp Base: E10
 Dimming: Phase Dimming (120Vac Only)
 Driver Included: No
 Driver Location: See canopy components
 Driver Type: Constant Voltage - Universal
 Input Voltage (V): 120 - 277
 Output Voltage (V): 12
 Lamp Voltage (V): 12
 Upon Request: Phase dimming @120Vac only / Non-dimming @277Vac

LED
 Delivered Lumen Range: 1000 - 1999 lm
 Color Temperature (°K): 2600 / 3000 / 3500
 Max. Delivered Lumen (lm): 1725 (2600K)
 CRI: >90 CRI
 Lamp Life (hrs): 20000

RATINGS AND CERTIFICATIONS
 Certified By: Certified for North American Standards
 IP rating: IP20



D10CITA-MOD-SYS COMPONENTS SUSPENSION

D101594-

DESCRIPTION

Citadel Composition - Ring - Suspension - Ø1400mm / 55 1/8" - 88 x 0.33W Retrofit LED - 12V

GENERAL

Series: Citadel
 Subseries: Citadel Composition Modular System
 Partner: Quasar
 Division: Design
 Installation: Suspension
 Product Type: Clusters
 Mounting Location: Ceiling

PHYSICAL

Shape: Round
 Diameter (mm): 1400
 Diameter (in): 55 1/8"
 Height (mm): 50
 Height (in): 1 15/16"
 Max. Overall Height (mm): 1550
 Max. Overall Height (in): 61
 Weight (kg): 2
 Weight (lbs): 4.41
 Fixture Finish: NIC / BRA / BBR
 Fixture Material: Metal
 Cable Details: 1500mm Cable

ELECTRICAL

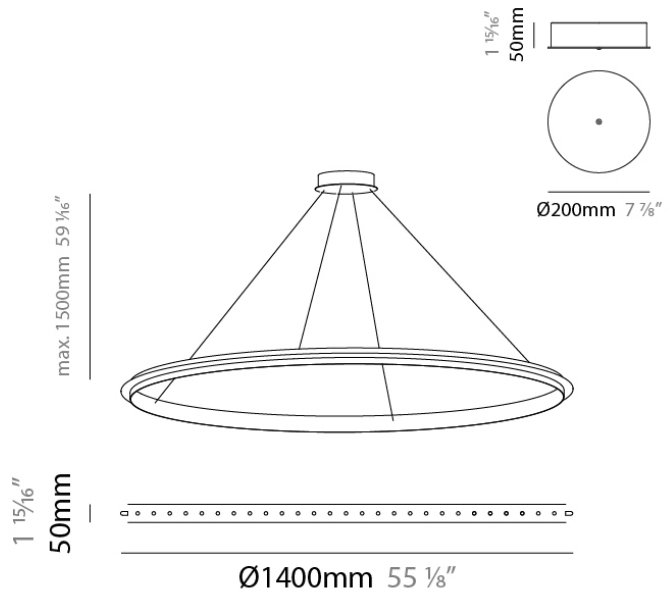
Number of Lamps: 88
 Lamp Type: LED Retrofit
 Bulb Included: Bulb Included
 Total Output Wattage (W): 29.04
 Max. Wattage Per Lamp (W): 0.33
 Lamp Base: E10
 Dimming: Phase Dimming (120Vac Only)
 Driver Included: No
 Driver Location: See canopy components
 Driver Type: Constant Voltage - Universal
 Input Voltage (V): 120 - 277
 Output Voltage (V): 12
 Lamp Voltage (V): 12
 Upon Request: Phase dimming @120Vac only / Non-dimming @277Vac

LED

Delivered Lumen Range: 2000 - 2999 lm
 Color Temperature (°K): 2600 / 3000 / 3500
 Max. Delivered Lumen (lm): 2024 (2600K)
 CRI: >90 CRI
 Lamp Life (hrs): 20000

RATINGS AND CERTIFICATIONS

Certified By: Certified for North American Standards
 IP rating: IP20



PROJECT	
TYPE	
NOTES	
QUANTITY	
DATE	

D10CITA-MOD-SYS COMPONENTS SUSPENSION

D101600-

DESCRIPTION

Citadel Composition - Ring - Suspension - Ø1600mm / 63" - 100 x 0.33W Retrofit LED - 12V

GENERAL

Series: Citadel
 Subseries: Citadel Composition Modular System
 Partner: Quasar
 Division: Design
 Installation: Suspension
 Product Type: Clusters
 Mounting Location: Ceiling

PHYSICAL

Shape: Round
 Diameter (mm): 1600
 Diameter (in): 63
 Height (mm): 50
 Height (in): 1 15/16
 Max. Overall Height (mm): 1550
 Max. Overall Height (in): 61
 Weight (kg): 3
 Weight (lbs): 6.61
 Fixture Finish: NIC / BRA / BBR
 Fixture Material: Metal
 Cable Details: 1500mm Cable

ELECTRICAL

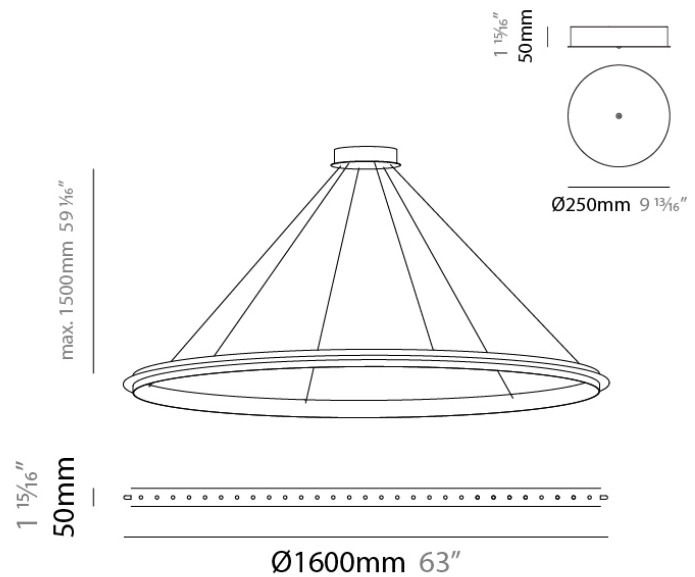
Number of Lamps: 100
 Lamp Type: LED Retrofit
 Bulb Included: Bulb Included
 Total Output Wattage (W): 33
 Max. Wattage Per Lamp (W): 0.33
 Lamp Base: E10
 Dimming: 0-10V Dimming / Phase Dimming (120Vac Only)
 Driver Included: No
 Driver Location: See canopy components
 Driver Type: Constant Voltage - Universal
 Driver Class: Class 1 and Class 2
 Input Voltage (V): 120 - 277
 Output Voltage (V): 12
 Lamp Voltage (V): 12

LED

Delivered Lumen Range: 2000 - 2999 lm
 Color Temperature (°K): 2600 / 3000 / 3500
 Max. Delivered Lumen (lm): 2300 (2600K)
 CRI: >90 CRI
 Lamp Life (hrs): 20000

RATINGS AND CERTIFICATIONS

Certified By: Certified for North American Standards
 IP rating: IP20



D10CITA-MOD-SYS COMPONENTS SUSPENSION

D101606-

DESCRIPTION

Citadel Composition - Ring - Ø1800mm / 70 7/8" - 113 x 0.33W
 Retrofit LED - 12V

GENERAL

Series: Citadel
 Subseries: Citadel Composition Modular System
 Partner: Quasar
 Division: Design
 Installation: Suspension
 Product Type: Clusters
 Mounting Location: Ceiling

PHYSICAL

Shape: Round
 Diameter (mm): 1800
 Diameter (in): 70 7/8
 Height (mm): 50
 Height (in): 1 15/16
 Max. Overall Height (mm): 1550
 Max. Overall Height (in): 61
 Weight (kg): 3
 Weight (lbs): 6.61
 Fixture Finish: NIC / BRA / BBR
 Fixture Material: Metal
 Cable Details: 1500mm Cable

ELECTRICAL

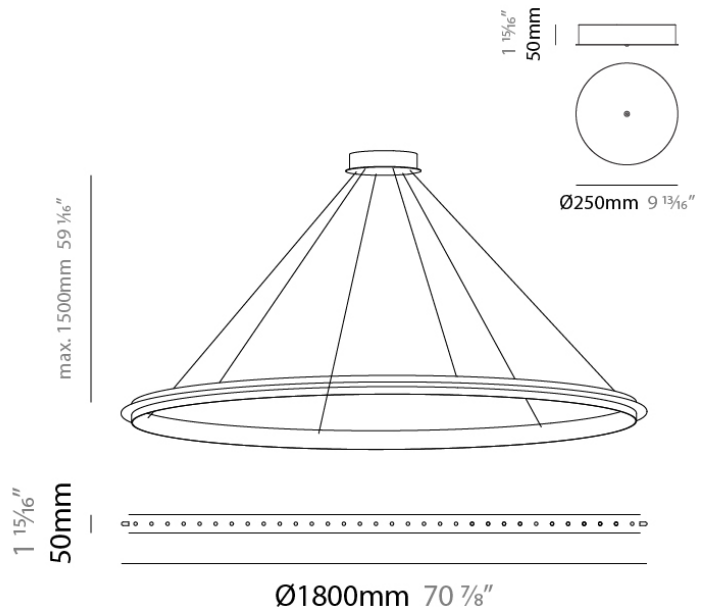
Number of Lamps: 113
 Lamp Type: LED Retrofit
 Bulb Included: Bulb Included
 Total Output Wattage (W): 37.29
 Max. Wattage Per Lamp (W): 0.33
 Lamp Base: E10
 Dimming: 0-10V Dimming / Phase Dimming (120Vac Only)
 Driver Included: No
 Driver Location: See canopy components
 Driver Type: Constant Voltage - Universal
 Driver Class: Class 1 and Class 2
 Input Voltage (V): 120 - 277
 Output Voltage (V): 12
 Lamp Voltage (V): 12

LED

Delivered Lumen Range: 2000 - 2999 lm
 Color Temperature (°K): 2600 / 3000 / 3500
 Max. Delivered Lumen (lm): 2599 (2600K)
 CRI: >90 CRI
 Lamp Life (hrs): 20000

RATINGS AND CERTIFICATIONS

Certified By: Certified for North American Standards
 IP rating: IP20



PROJECT	
TYPE	
NOTES	
QUANTITY	
DATE	

D10CITA-MOD-SYS COMPONENTS SUSPENSION

D101612-

DESCRIPTION

Citadel Composition - Ring - Ø2000mm / 78 3/4" - 126 x 0.33W Retrofit LED - 12V

GENERAL

Series: Citadel
 Subseries: Citadel Composition Modular System
 Partner: Quasar
 Division: Design
 Installation: Suspension
 Product Type: Clusters
 Mounting Location: Ceiling

PHYSICAL

Shape: Round
 Diameter (mm): 2000
 Diameter (in): 78 3/4
 Height (mm): 50
 Height (in): 1 15/16
 Max. Overall Height (mm): 1550
 Max. Overall Height (in): 61
 Weight (kg): 4
 Weight (lbs): 8.82
 Fixture Finish: NIC / BRA / BBR
 Fixture Material: Metal
 Cable Details: 1500mm Cable

ELECTRICAL

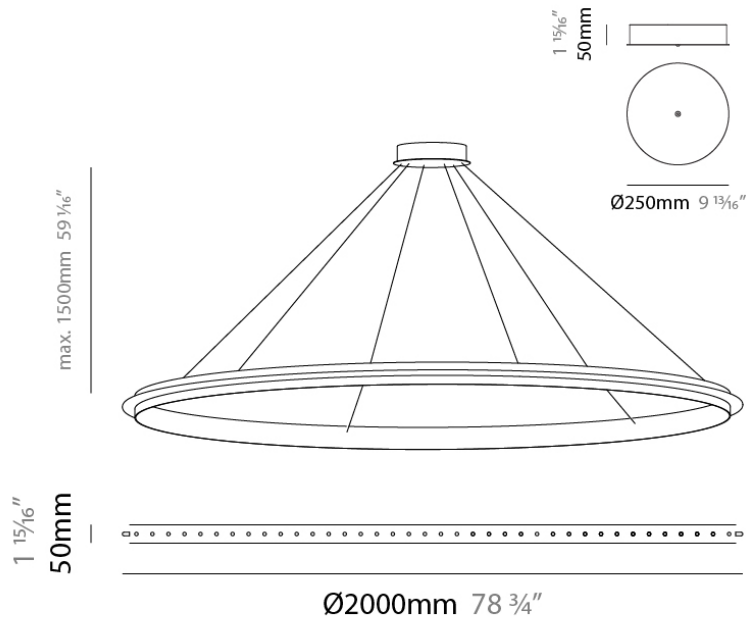
Number of Lamps: 126
 Lamp Type: LED Retrofit
 Bulb Included: Bulb Included
 Total Output Wattage (W): 41.58
 Max. Wattage Per Lamp (W): 0.33
 Lamp Base: E10
 Dimming: 0-10V Dimming / Phase Dimming (120Vac Only)
 Driver Included: No
 Driver Location: See canopy components
 Driver Type: Constant Voltage - Universal
 Driver Class: Class 1 and Class 2
 Input Voltage (V): 120 - 277
 Output Voltage (V): 12
 Lamp Voltage (V): 12

LED

Delivered Lumen Range: 2000 - 3999 lm
 Color Temperature (°K): 2600 / 3000 / 3500
 Max. Delivered Lumen (lm): 2898 (2600K)
 CRI: >90 CRI
 Lamp Life (hrs): 20000

RATINGS AND CERTIFICATIONS

Certified By: Certified for North American Standards
 IP rating: IP20



D10CITA-MOD-SYS COMPONENTS

PROJECT
TYPE
NOTES
QUANTITY
DATE

D109080-

DESCRIPTION
 Citadel - Canopy with Electronic Driver - Ø200mm / 9 13/16" - 30W - 12Vdc

GENERAL

Series: Citadel
 Subseries: Citadel Composition Modular System
 Partner: Quasar
 Division: Design
 Product Type: Clusters

PHYSICAL

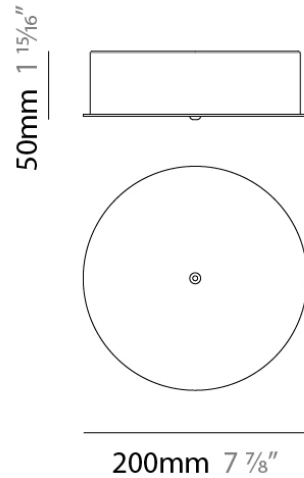
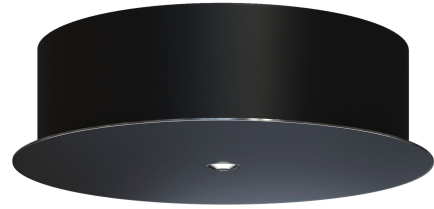
Shape: Round
 Diameter (mm): 200
 Diameter (in): 7 7/8
 Height (mm): 50
 Height (in): 1 15/16
 Fixture Finish: NIC / BRA / BBR
 Fixture Material: Metal

ELECTRICAL

Lamp Type: LED
 Total Output Wattage (W): 30 / 40
 Dimming: 0-10V Dimming / Phase Dimming (120Vac Only)
 Driver Included: Yes
 Driver Location: Integrated
 Driver Type: Constant Voltage - Universal
 Driver Class: Class 2
 Input Voltage (V): 120 - 277
 Output Voltage (V): 12
 Constant Voltage (V): 12

RATINGS AND CERTIFICATIONS

Certified By: Certified for North American Standards
 IP rating: IP20



D10CITA-MOD-SYS COMPONENTS

PROJECT	_____
TYPE	_____
NOTES	_____
QUANTITY	_____
DATE	_____

D109086-

DESCRIPTION

Citadel - Canopy with Electronic Driver - \varnothing 250mm / 9 13/16" - 60W - 12Vdc

GENERAL

Series: Citadel
Subseries: Citadel Composition Modular System
Partner: Quasar
Division: Design
Product Type: Clusters

PHYSICAL

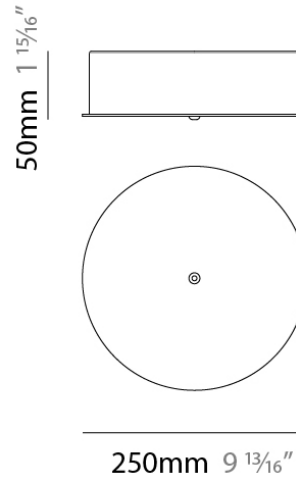
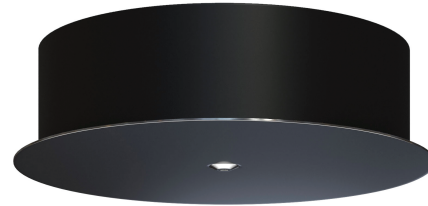
Shape: Round
Diameter (mm): 250
Diameter (in): 9 13/16
Height (mm): 50
Height (in): 15/16
Fixture Finish: NIC / BRA / BBR
Fixture Material: Metal

ELECTRICAL

Lamp Type: LED
Total Output Wattage (W): 60
Dimming: 0-10V Dimming / Phase Dimming (120Vac Only)
Driver Included: Yes
Driver Location: Integrated
Driver Type: Constant Voltage - Universal
Driver Class: Class 2
Input Voltage (V): 120 - 277
Output Voltage (V): 12
Constant Voltage (V): 12

RATINGS AND CERTIFICATIONS

Certified By: Certified for North American Standards
IP rating: IP20



D10CITA-MOD-SYS COMPONENTS

PROJECT	_____
TYPE	_____
NOTES	_____
QUANTITY	_____
DATE	_____

D109087-

DESCRIPTION

Citadel - Canopy with Electronic Driver - Ø300mm / 11 13/16" - 300W - 12Vdc

GENERAL

Series: Citadel
Subseries: Citadel Composition Modular System
Partner: Quasar
Division: Design
Product Type: Clusters

PHYSICAL

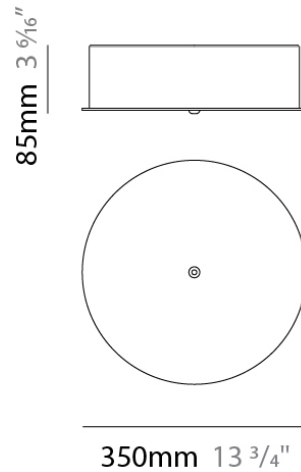
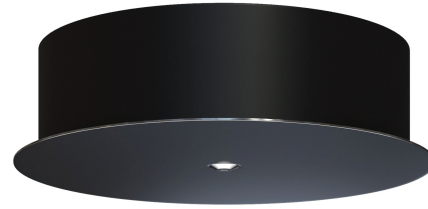
Shape: Round
Diameter (mm): 300
Diameter (in): 11 13/16
Height (mm): 85
Height (in): 3 3/8
Fixture Finish: NIC / BRA / BBR
Fixture Material: Metal

ELECTRICAL

Lamp Type: LED
Total Output Wattage (W): 300 / 320
Dimming: 0-10V Dimming / Phase Dimming (120Vac Only)
Driver Included: Yes
Driver Location: Integrated
Driver Type: Constant Voltage - Universal
Driver Class: Class 2
Input Voltage (V): 120 - 277
Output Voltage (V): 12
Constant Voltage (V): 12

RATINGS AND CERTIFICATIONS

Certified By: Certified for North American Standards
IP rating: IP20



D10CITA-MOD-SYS COMPONENTS

PROJECT	_____
TYPE	_____
NOTES	_____
QUANTITY	_____
DATE	_____

D109127-

DESCRIPTION

Citadel - Canopy with Electronic Driver - Ø300mm / 11 13/16" - 100W - 12Vac

GENERAL

Series: Citadel
Subseries: Citadel Composition Modular System
Partner: Quasar
Division: Design
Product Type: Clusters

PHYSICAL

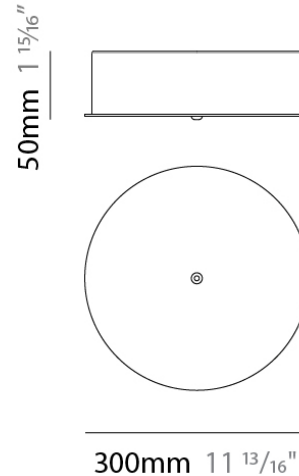
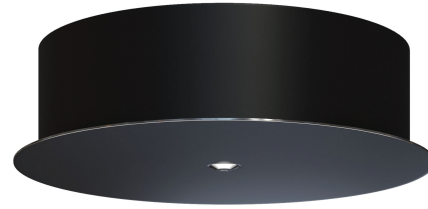
Shape: Round
Diameter (mm): 300
Diameter (in): 11 13/16
Height (mm): 50
Height (in): 1 15/16
Weight (kg): 2.5
Weight (lbs): 5.5
Fixture Finish: NIC / BRA / BBR
Fixture Material: Metal

ELECTRICAL

Lamp Type: LED
Total Output Wattage (W): 100 / 120
Dimming: 0-10V Dimming / Phase Dimming (120Vac Only)
Driver Included: Yes
Driver Location: Integrated
Driver Type: Constant Voltage - Universal
Driver Class: Class 2
Input Voltage (V): 120 - 277
Output Voltage (V): 12
Constant Voltage (V): 12

RATINGS AND CERTIFICATIONS

Certified By: Certified for North American Standards
IP rating: IP20



D10CITA-MOD-SYS COMPONENTS

PROJECT	
TYPE	
NOTES	
QUANTITY	
DATE	

D109128-

DESCRIPTION
 Citadel - Canopy with Electronic Driver (Phase Dimmable) -
 Ø300mm / 11 13/16" - 200W - 12Vac

GENERAL

Series: Citadel
 Subseries: Citadel Composition Modular System
 Partner: Quasar
 Division: Design
 Product Type: Clusters

PHYSICAL

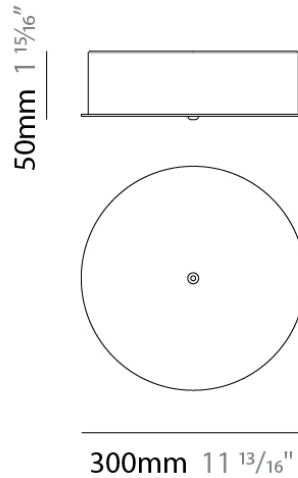
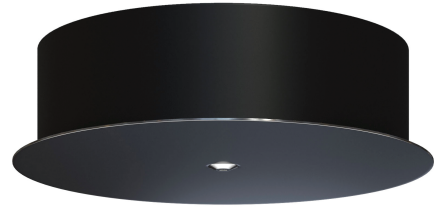
Shape: Round
 Diameter (mm): 300
 Diameter (in): 11 13/16"
 Height (mm): 50
 Height (in): 1 15/16"
 Weight (kg): 2.5
 Weight (lbs): 5.5
 Fixture Finish: NIC / BRA / BBR
 Fixture Material: Metal

ELECTRICAL

Lamp Type: LED
 Total Output Wattage (W): 200 / 240
 Dimming: 0-10V Dimming / Phase Dimming (120Vac Only)
 Driver Included: Yes
 Driver Location: Integrated
 Driver Type: Constant Voltage - Universal
 Driver Class: Class 2
 Input Voltage (V): 120 - 277
 Output Voltage (V): 12
 Constant Voltage (V): 12

RATINGS AND CERTIFICATIONS

Certified By: Certified for North American Standards
 IP rating: IP20



D10CITA-MOD-SYS COMPONENTS




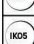






LEGEND

 floor-mounted	 pivotable	 special LED (upon request) RGB, RGBW, tunable, gold+, meat+, art+, fashion+
 wall and ceiling: recessed and surface mounted	 rotating	 warm dim / natural dimming LED
 ceiling-mounted and wall-mounted	 illuminate tilted	 rechargeable battery powered
 wall-mounted	 color of suspension cable	 fixture with natural vivid LED (upon request)
 omni-directional light distribution	 length of suspension cable	 color rendering index
 direct light distribution	 reflector degree selection	 color temperature
 direct/indirect light distribution	 super spot	 lumen (luminous flux)
 indirect light distribution	 lens	 efficacy (lumens per watt)
 asymmetric light distribution	 lens pack	 Unified Glare Rating (UGR) range from 5-40
 aura light distribution	 shine ring	 marine grade (AISI 316 stainless steel)
 round wall or ceiling cut-out	 integrated shine ring with diffuser	 walk on
 square wall or ceiling cut-out	 free individual colors 01-29	 drive on
 the supplied jig specifies the cutout dimensions	 individual colors: 00 (free of charge), 01-25 (extra charge)	 Dark Sky Compliance
 minimum distance (meters) lamp - object	 luminaire part to be colored (F1)	 Americans with Disabilities Act (less than 4" off the wall located between 27"-84" from floor)
 recessed depth	 luminaire part to be colored (F2)	 lamp protected against explosion
 ceiling thickness in mm	 luminaire part to be colored (F3)	 blown glass using traditional methods by master glass blower
 ceiling thickness selection	 luminaire part to be colored (F4)	 acoustic material
 dimmable DP (phase), DV (0-10V), DD (dali), DS (step-dim)	 luminaire part to be colored (F5)	 protection class I, protection insulation
 included or excluded LED driver/transformer/control gear	 color of 3-circuit adaptor	 protection class II, protection insulation
 separately switchable	 indirect diffuser	 ETL Certified to UL and CSA Standards
 sensor	 direct diffuser	 UL Certified to UL and CSA Standards
 remote control	 ball-proof (upon request)	 CSA Certified to UL and CSA Standards
 available upon request	 accessory	 Certified for North American Standards

IP RATING

 IP20	protected against ingress of solid bodies greater than 12.5mm (finger)
 IP33	protected against ingress of solid bodies greater than 2.5mm protected against sprays of water up to 60 degrees from the vertical (rain)
 IP40	protected against ingress of solid bodies greater than 1mm (wire) no protection against the ingress of moisture
 IP43	protected against ingress of solid bodies greater than 1mm (wire) protected against sprays of water up to 60 degrees from the vertical (rain)
 IP44	protected against ingress of solid bodies greater than 1mm (wire) protected against water splashed from all directions
 IP54	protected against limited ingress of dust (wet rooms/covered outdoor areas) protected against water splashed from all directions
 IP65	protected against ingress of dust protected against jets of water
 IP66	protected against ingress of dust protected against powerful jets of water or heavy seas
 IP67	protected against ingress of dust protected against immersion of water between 15cm - 1m for 30 minutes
 IP68	protected against ingress of dust protected against immersion of water under pressure for long periods

IK RATING

 IK01	protected against 0.14 joules impact (equivalent to 0.25kg mass dropped from 56mm above the surface)
 IK02	protected against 0.2 joules impact (equivalent to 0.25kg mass dropped from 80mm above the surface)
 IK03	protected against 0.35 joules impact (equivalent to 0.25kg mass dropped from 140mm above the surface)
 IK04	protected against 0.5 joules impact (equivalent to 0.25kg mass dropped from 200mm above the surface)
 IK05	protected against 0.7 joules impact (equivalent to 0.25kg mass dropped from 280mm above the surface)
 IK06	protected against 1 joules impact (equivalent to 0.25kg mass dropped from 400mm above the surface)
 IK07	protected against 2 joules impact (equivalent to 0.5kg mass dropped from 400mm above the surface)
 IK08	protected against 5 joules impact (equivalent to 1.7kg mass dropped from 300mm above the surface)
 IK09	protected against 10 joules impact (equivalent to 5.0kg mass dropped from 200mm above the surface)
 IK10	protected against 20 joules impact (equivalent to 5.0kg mass dropped from 400mm above the surface)