

## D10ECLIP-MOD-SYS COMPONENTS SUSPENSION

### D1010010-

#### DESCRIPTION

Eclipse Modular - Ring - Suspension - Ø680mm / 26 3/4" - 44 x 0.6W LED - 2400K / 2800K / 3000K - 12V - Phase Dimming -

#### GENERAL

Series: Eclipse  
 Subseries: Eclipse - Composition Modular System  
 Partner: Quasar  
 Division: Design  
 Installation: Suspension  
 Product Type: Clusters  
 Mounting Location: Ceiling

#### PHYSICAL

Shape: Round  
 Diameter (mm): 680  
 Diameter (in): 26 3/4  
 Height (mm): 50  
 Height (in): 1 15/16  
 Max. Overall Height (mm): 1550  
 Max. Overall Height (in): 61  
 Weight (kg): 3  
 Weight (lbs): 6.61  
 Fixture Finish: NIC / BRA / BBR  
 Fixture Material: Metal  
 Cable Details: 1500mm cable

#### ELECTRICAL

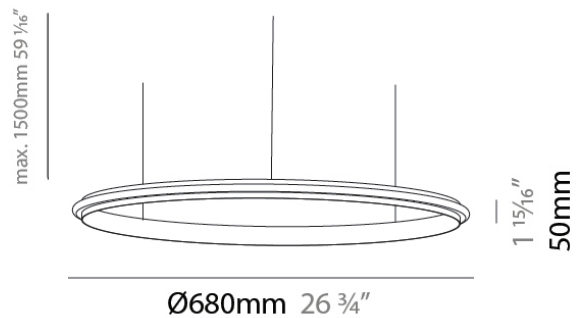
Input Wattage Range: 20 - 29 W  
 Lamp Type: LED  
 Input Wattage (W): 26.5  
 Dimming: Non-Dimming / Phase Dimming (120vac Only)  
 Driver Included: No  
 Driver Location: See canopy components  
 Driver Type: Constant Voltage - Universal  
 Driver Class: Class 2  
 Input Voltage (V): 120 - 277  
 Output Voltage (V): 12

#### LED

Delivered Lumen Range: 500 - 1999 lm  
 Color Temperature (°K): 2400 / 2800 / 3000  
 Max. Delivered Lumen (lm): 1320 (2800K)  
 CRI: >90 CRI  
 Lamp Life (hrs): 50000

#### RATINGS AND CERTIFICATIONS

Certified By: Certified for North American Standards  
 IP rating: IP20



PROJECT	
TYPE	
NOTES	
QUANTITY	
DATE	

## D10ECLIP-MOD-SYS COMPONENTS SUSPENSION

### D1010011-

**DESCRIPTION**  
 Eclipse Modular - Ring - Suspension - Ø830mm / 32 11/16" - 52 x 0.6W LED - 2400K / 2800K / 3000K - 12V - Phase Dimming -

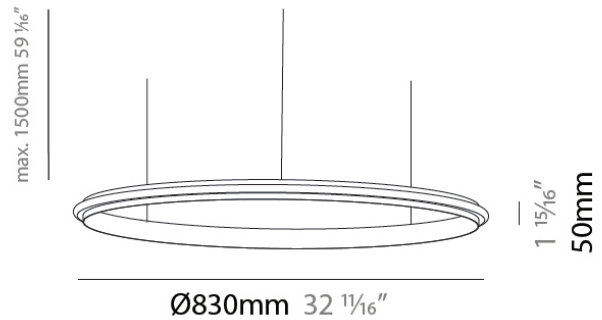
**GENERAL**  
 Series: Eclipse  
 Subseries: Eclipse - Composition Modular System  
 Partner: Quasar  
 Division: Design  
 Installation: Suspension  
 Product Type: Clusters  
 Mounting Location: Ceiling

**PHYSICAL**  
 Shape: Round  
 Diameter (mm): 830  
 Diameter (in): 32 11/16  
 Height (mm): 50  
 Height (in): 1 15/16  
 Max. Overall Height (mm): 1550  
 Max. Overall Height (in): 61  
 Fixture Finish: NIC / BRA / BBR  
 Fixture Material: Metal  
 Cable Details: 1500mm cable

**ELECTRICAL**  
 Input Wattage Range: 30 - 49 W  
 Lamp Type: LED  
 Total Output Wattage (W): 31.2  
 Dimming: 0-10V Dimming / Phase Dimming (120Vac Only)  
 Driver Included: No  
 Driver Location: See canopy components  
 Driver Type: Constant Voltage - Universal  
 Driver Class: Class 2  
 Input Voltage (V): 120 - 277  
 Output Voltage (V): 12

**LED**  
 Delivered Lumen Range: 500 - 1999 lm  
 Color Temperature (°K): 2400 / 2800 / 3000  
 Max. Delivered Lumen (lm): 1560 (2800K)  
 CRI: >90 CRI  
 Lamp Life (hrs): 50000

**RATINGS AND CERTIFICATIONS**  
 Certified By: Certified for North American Standards  
 IP rating: IP20



PROJECT	
TYPE	
NOTES	
QUANTITY	
DATE	

## D10ECLIP-MOD-SYS COMPONENTS SUSPENSION

### D1010012-

**DESCRIPTION**  
 Eclipse Modular - Ring - Suspension - Ø960mm / 37 13/16" - 60 x 0.6W LED - 2400K / 2800K / 3000K - 12V - Phase Dimming -

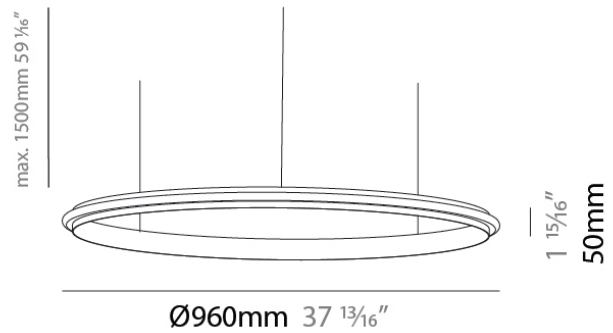
**GENERAL**  
 Series: Eclipse  
 Subseries: Eclipse - Composition Modular System  
 Partner: Quasar  
 Division: Design  
 Installation: Suspension  
 Product Type: Clusters  
 Mounting Location: Ceiling

**PHYSICAL**  
 Shape: Round  
 Diameter (mm): 960  
 Diameter (in): 37 13/16  
 Height (mm): 50  
 Height (in): 1 15/16  
 Max. Overall Height (mm): 1550  
 Max. Overall Height (in): 61  
 Fixture Finish: NIC / BRA / BBR  
 Fixture Material: Metal  
 Cable Details: 1500mm cable

**ELECTRICAL**  
 Input Wattage Range: 30 - 49 W  
 Lamp Type: LED  
 Total Output Wattage (W): 36  
 Dimming: Non-Dimming / Phase Dimming (120vac Only)  
 Driver Included: No  
 Driver Location: See canopy components  
 Driver Type: Constant Voltage - Universal  
 Driver Class: Class 2  
 Input Voltage (V): 120 - 277  
 Output Voltage (V): 12

**LED**  
 Delivered Lumen Range: 500 - 1999 lm  
 Color Temperature (°K): 2400 / 2800 / 3000  
 Max. Delivered Lumen (lm): 1800 (2800K)  
 CRI: >90 CRI  
 Lamp Life (hrs): 50000

**RATINGS AND CERTIFICATIONS**  
 Certified By: Certified for North American Standards  
 IP rating: IP20



PROJECT
TYPE
NOTES
QUANTITY
DATE

## D10ECLIP-MOD-SYS COMPONENTS SUSPENSION

### D1010013-

**DESCRIPTION**  
 Eclipse Modular - Ring - Suspension - Ø1180mm /46 7/16" - 75 x 0.6W LED - 2400K / 2800K / 3000K - 12V - Phase Dimming -

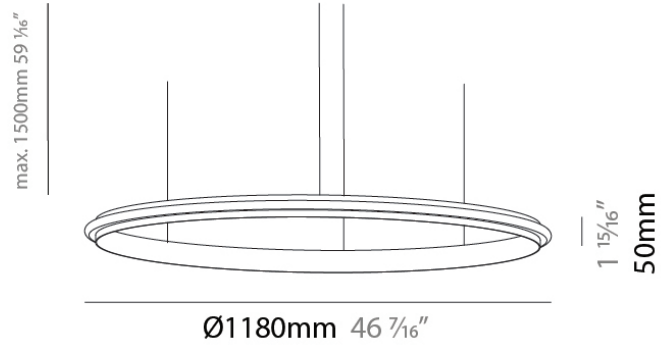
**GENERAL**  
 Series: Eclipse  
 Subseries: Eclipse - Composition Modular System  
 Partner: Quasar  
 Division: Design  
 Installation: Suspension  
 Product Type: Clusters  
 Mounting Location: Ceiling

**PHYSICAL**  
 Shape: Round  
 Diameter (mm): 1180  
 Diameter (in): 46 7/16  
 Height (mm): 50  
 Height (in): 1 15/16  
 Max. Overall Height (mm): 1550  
 Max. Overall Height (in): 61  
 Fixture Finish: NIC / BRA / BBR  
 Fixture Material: Metal  
 Cable Details: 1500mm cable

**ELECTRICAL**  
 Input Wattage Range: 30 - 49 W  
 Lamp Type: LED  
 Total Output Wattage (W): 45  
 Dimming: Non-Dimming / Phase Dimming (120vac Only)  
 Driver Included: No  
 Driver Location: See canopy components  
 Driver Type: Constant Voltage - Universal  
 Driver Class: Class 2  
 Input Voltage (V): 120 - 277  
 Output Voltage (V): 12

**LED**  
 Delivered Lumen Range: 2000 - 2999 lm  
 Color Temperature (°K): 2400 / 2800 / 3000  
 Max. Delivered Lumen (lm): 2250 (2800K)  
 CRI: >90 CRI  
 Lamp Life (hrs): 50000

**RATINGS AND CERTIFICATIONS**  
 Certified By: Certified for North American Standards  
 IP rating: IP20



PROJECT	
TYPE	
NOTES	
QUANTITY	
DATE	

## D10ECLIP-MOD-SYS COMPONENTS SUSPENSION

### D1010014-

#### DESCRIPTION

Eclipse Modular - Ring - Suspension - Ø1400mm / 55 1/8" - 88 x 0.6W LED - 2400K / 2800K / 3000K - 12V - Phase Dimming -

#### GENERAL

Series: Eclipse  
 Subseries: Eclipse - Composition Modular System  
 Partner: Quasar  
 Division: Design  
 Installation: Suspension  
 Product Type: Clusters  
 Mounting Location: Ceiling

#### PHYSICAL

Shape: Round  
 Diameter (mm): 1400  
 Diameter (in): 55 1/8  
 Height (mm): 50  
 Height (in): 1 15/16  
 Max. Overall Height (mm): 1550  
 Max. Overall Height (in): 61  
 Fixture Finish: NIC / BRA / BBR  
 Fixture Material: Metal  
 Cable Details: 1500mm cable

#### ELECTRICAL

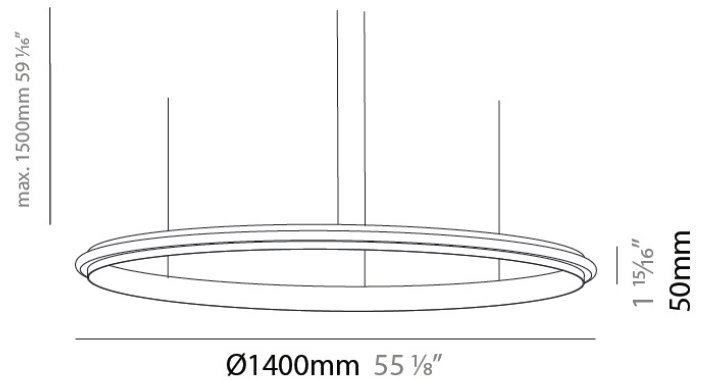
Input Wattage Range: 50 - 79 W  
 Lamp Type: LED  
 Total Output Wattage (W): 52.8  
 Dimming: Non-Dimming / Phase Dimming (120vac Only)  
 Driver Included: No  
 Driver Location: See canopy components  
 Driver Type: Constant Voltage - Universal  
 Driver Class: Class 2  
 Input Voltage (V): 120 - 277  
 Output Voltage (V): 12

#### LED

Delivered Lumen Range: 2000 - 2999 lm  
 Color Temperature (°K): 2400 / 2800 / 3000  
 Max. Delivered Lumen (lm): 2640 (2800K)  
 CRI: >90 CRI  
 Lamp Life (hrs): 50000

#### RATINGS AND CERTIFICATIONS

Certified By: Certified for North American Standards  
 IP rating: IP20



PROJECT
TYPE
NOTES
QUANTITY
DATE

## D10ECLIP-MOD-SYS COMPONENTS SUSPENSION

### D1010015-

#### DESCRIPTION

Eclipse Modular - Ring - Suspension - Ø1600mm /63" - 100 x 0.6W LED - 2400K / 2800K / 3000K - 12V - Phase Dimming -

#### GENERAL

Series: Eclipse  
 Subseries: Eclipse - Composition Modular System  
 Partner: Quasar  
 Division: Design  
 Installation: Suspension  
 Product Type: Clusters  
 Mounting Location: Ceiling

#### PHYSICAL

Shape: Round  
 Diameter (mm): 1600  
 Diameter (in): 63  
 Height (mm): 50  
 Height (in): 1 15/16  
 Max. Overall Height (mm): 1550  
 Max. Overall Height (in): 61  
 Fixture Finish: NIC / BRA / BBR  
 Fixture Material: Metal  
 Cable Details: 1500mm cable

#### ELECTRICAL

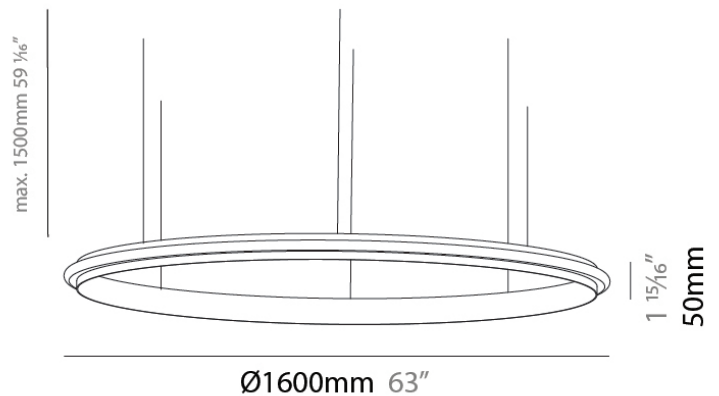
Input Wattage Range: 50 - 79 W  
 Lamp Type: LED  
 Total Output Wattage (W): 60  
 Dimming: Non-Dimming / Phase Dimming (120vac Only)  
 Driver Included: No  
 Driver Location: See canopy components  
 Driver Type: Constant Voltage - Universal  
 Driver Class: Class 2  
 Input Voltage (V): 120 - 277  
 Output Voltage (V): 12

#### LED

Delivered Lumen Range: 2000 - 3999 lm  
 Color Temperature (°K): 2400 / 2800 / 3000  
 Max. Delivered Lumen (lm): 3000 (2800K)  
 CRI: >90 CRI  
 Lamp Life (hrs): 50000

#### RATINGS AND CERTIFICATIONS

Certified By: Certified for North American Standards  
 IP rating: IP20



PROJECT	
TYPE	
NOTES	
QUANTITY	
DATE	

## D10ECLIP-MOD-SYS COMPONENTS SUSPENSION

### D1010016-

#### DESCRIPTION

Eclipse Modular - Ring - Suspension - Ø1800mm / 70 7/8" - 113 x 0.6W LED - 2400K / 2800K / 3000K - 12V - Phase Dimming -

#### GENERAL

Series: Eclipse  
 Subseries: Eclipse - Composition Modular System  
 Partner: Quasar  
 Division: Design  
 Installation: Suspension  
 Product Type: Clusters  
 Mounting Location: Ceiling

#### PHYSICAL

Shape: Round  
 Diameter (mm): 1800  
 Diameter (in): 70 7/8  
 Height (mm): 50  
 Height (in): 1 15/16  
 Max. Overall Height (mm): 1550  
 Max. Overall Height (in): 61  
 Fixture Finish: NIC / BRA / BBR  
 Fixture Material: Metal  
 Cable Details: 1500mm cable

#### ELECTRICAL

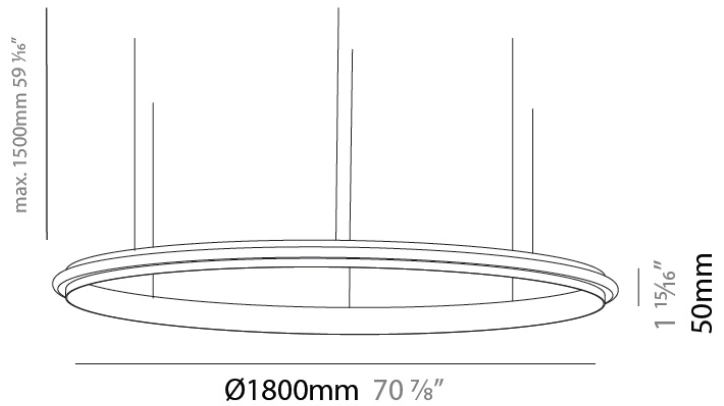
Input Wattage Range: 50 - 79 W  
 Lamp Type: LED  
 Total Output Wattage (W): 67.8  
 Dimming: Non-Dimming / Phase Dimming (120vac Only)  
 Driver Included: No  
 Driver Location: See canopy components  
 Driver Type: Constant Voltage - Universal  
 Driver Class: Class 2  
 Input Voltage (V): 120 - 277  
 Output Voltage (V): 12

#### LED

Delivered Lumen Range: 2000 - 3999 lm  
 Color Temperature (°K): 2400 / 2800 / 3000  
 Max. Delivered Lumen (lm): 3000 (2800K)  
 CRI: >90 CRI  
 Lamp Life (hrs): 50000

#### RATINGS AND CERTIFICATIONS

Certified By: Certified for North American Standards  
 IP rating: IP20



PROJECT	
TYPE	
NOTES	
QUANTITY	
DATE	

## D10ECLIP-MOD-SYS COMPONENTS SUSPENSION

### D1010017-

#### DESCRIPTION

Eclipse Modular - Ring - Suspension - Ø2000mm / 78 3/4" - 126 x 0.6W LED - 12V - Phase Dimming -

#### GENERAL

Series: Eclipse  
 Subseries: Eclipse - Composition Modular System  
 Partner: Quasar  
 Division: Design  
 Installation: Suspension  
 Product Type: Clusters  
 Mounting Location: Ceiling

#### PHYSICAL

Shape: Round  
 Diameter (mm): 2000  
 Diameter (in): 78 3/4  
 Height (mm): 50  
 Height (in): 1 15/16  
 Max. Overall Height (mm): 1550  
 Max. Overall Height (in): 61  
 Fixture Finish: NIC / BRA / BBR  
 Fixture Material: Metal  
 Cable Details: 1500mm cable

#### ELECTRICAL

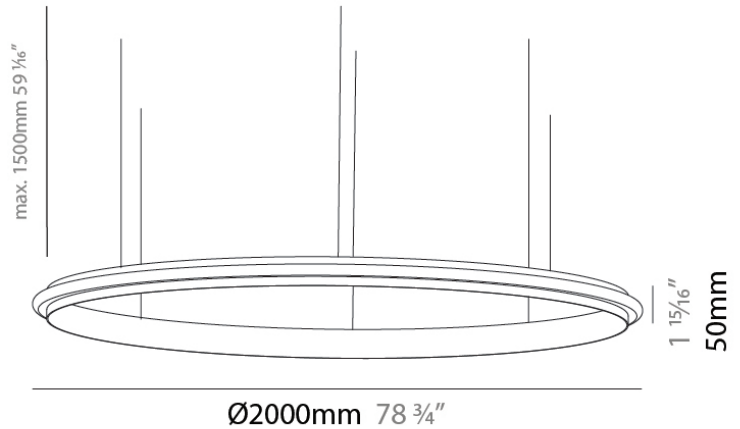
Input Wattage Range: 80 - 99 W  
 Lamp Type: LED  
 Total Output Wattage (W): 75.6  
 Dimming: Non-Dimming / Phase Dimming (120vac Only)  
 Driver Included: No  
 Driver Location: See canopy components  
 Driver Type: Constant Voltage - Universal  
 Driver Class: Class 2  
 Input Voltage (V): 120 - 277  
 Output Voltage (V): 12

#### LED

Delivered Lumen Range: 2000 - 3999 lm  
 Color Temperature (°K): 2400 / 2800 / 3000  
 Max. Delivered Lumen (lm): 3780 (2800K)  
 CRI: >90 CRI  
 Lamp Life (hrs): 50000

#### RATINGS AND CERTIFICATIONS

Certified By: Certified for North American Standards  
 IP rating: IP20



## D10ECLIP-MOD-SYS COMPONENTS SUSPENSION

### D109155-

#### DESCRIPTION

Eclipse Modular - Canopy with Composition Driver 30W -

#### GENERAL

Series: Eclipse  
 Subseries: Eclipse - Composition Modular System  
 Partner: Quasar  
 Division: Design  
 Installation: Suspension  
 Product Type: Clusters  
 Mounting Location: Ceiling

#### PHYSICAL

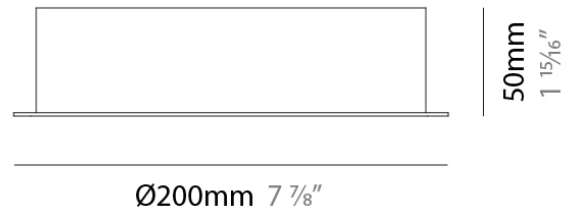
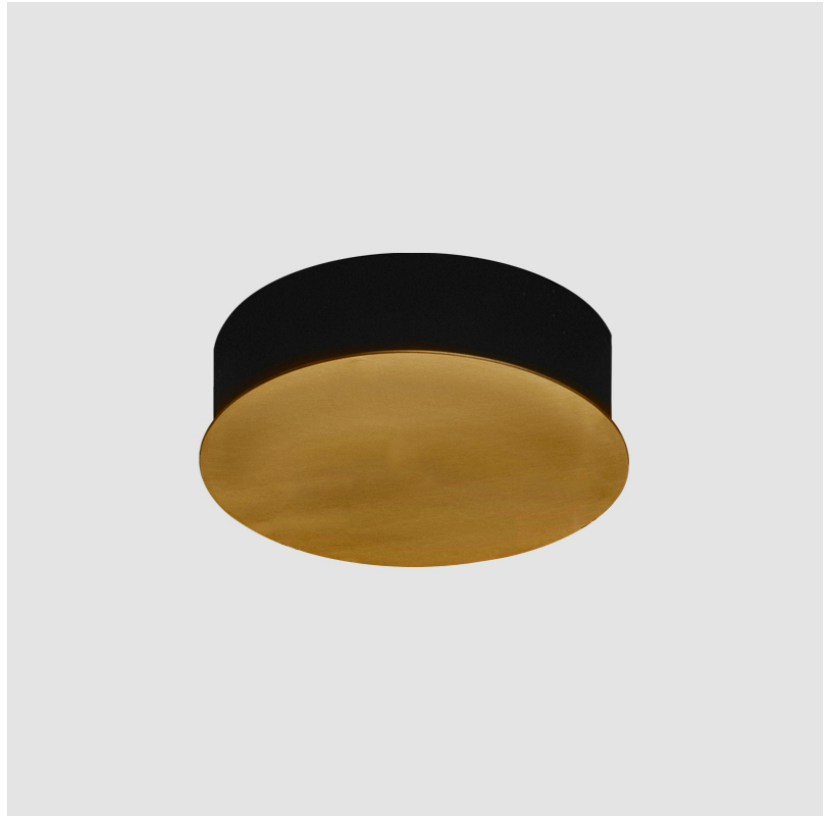
Shape: Rectangle  
 Diameter (mm): 200  
 Diameter (in): 7 7/8  
 Height (mm): 50  
 Height (in): 1 15/16  
 Fixture Finish: NIC / BRA / BBR  
 Fixture Material: Metal  
 Cable Details: 1500mm cable

#### ELECTRICAL

Input Wattage Range: 30 - 49 W  
 Input Wattage (W): 30  
 Dimming: Non-Dimming / Phase Dimming (120vac Only)  
 Driver Included: Yes  
 Driver Location: Integrated  
 Driver Type: Constant Voltage - Universal  
 Driver Class: Class 2  
 Input Voltage (V): 120 - 277  
 Output Voltage (V): 12

#### RATINGS AND CERTIFICATIONS

Certified By: Certified for North American Standards  
 IP rating: IP20



PROJECT
TYPE
NOTES
QUANTITY
DATE

## D10ECLIP-MOD-SYS COMPONENTS SUSPENSION

### D109156-

**DESCRIPTION**  
Eclipse Modular - Canopy with Composition Driver 60W -

**GENERAL**  
Series: Eclipse  
Subseries: Eclipse - Composition Modular System  
Partner: Quasar  
Division: Design  
Installation: Suspension  
Product Type: Clusters  
Mounting Location: Ceiling

**PHYSICAL**  
Shape: Rectangle  
Diameter (mm): 250  
Diameter (in): 9 <sup>13</sup>/<sub>16</sub>  
Height (mm): 50  
Height (in): 1 <sup>15</sup>/<sub>16</sub>  
Fixture Finish: NIC / BRA / BBR  
Fixture Material: Metal  
Cable Details: 1500mm cable

**ELECTRICAL**  
Input Wattage Range: 50 - 79 W  
Input Wattage (W): 60  
Dimming: Non-Dimming / Phase Dimming (120vac Only)  
Driver Included: Yes  
Driver Location: Integrated  
Driver Type: Constant Voltage - Universal  
Driver Class: Class 2  
Input Voltage (V): 120 - 277  
Output Voltage (V): 12

**RATINGS AND CERTIFICATIONS**  
Certified By: Certified for North American Standards  
IP rating: IP20



PROJECT
TYPE
NOTES
QUANTITY
DATE

## D10ECLIP-MOD-SYS COMPONENTS SUSPENSION

### D109157-

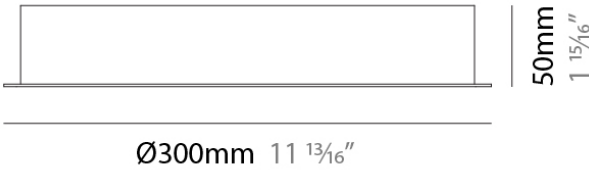
**DESCRIPTION**  
Eclipse Modular - Canopy with Composition Driver 100W -

**GENERAL**  
Series: Eclipse  
Subseries: Eclipse - Composition Modular System  
Partner: Quasar  
Division: Design  
Installation: Suspension  
Product Type: Clusters  
Mounting Location: Ceiling

**PHYSICAL**  
Shape: Rectangle  
Diameter (mm): 300  
Diameter (in): 11 13/16  
Height (mm): 50  
Height (in): 1 15/16  
Fixture Finish: NIC / BRA / BBR  
Fixture Material: Metal  
Cable Details: 1500mm cable

**ELECTRICAL**  
Input Wattage Range: 80 - 99 W  
Input Wattage (W): 96  
Dimming: Non-Dimming / Phase Dimming (120vac Only)  
Driver Included: Yes  
Driver Location: Integrated  
Driver Type: Constant Voltage - Universal  
Driver Class: Class 2  
Input Voltage (V): 120 - 277  
Output Voltage (V): 12

**RATINGS AND CERTIFICATIONS**  
Certified By: Certified for North American Standards  
IP rating: IP20



PROJECT	_____
TYPE	_____
NOTES	_____
QUANTITY	_____
DATE	_____

## D10ECLIP-MOD-SYS COMPONENTS SUSPENSION

### D109158-

#### DESCRIPTION

Eclipse Modular - Canopy with Composition Driver 200W -

#### GENERAL

Series: Eclipse  
Subseries: Eclipse - Composition Modular System  
Partner: Quasar  
Division: Design  
Installation: Suspension  
Product Type: Clusters  
Mounting Location: Ceiling

#### PHYSICAL

Shape: Rectangle  
Diameter (mm): 355  
Diameter (in): 14  
Height (mm): 65  
Height (in): 2 <sup>9</sup>/<sub>16</sub>  
Fixture Finish: NIC / BRA / BBR  
Fixture Material: Metal  
Cable Details: 1500mm cable

#### ELECTRICAL

Input Wattage Range: 200 - 299 W  
Input Wattage (W): 200  
Dimming: Non-Dimming / Phase Dimming (120vac Only)  
Driver Included: Yes  
Driver Location: Integrated  
Driver Type: Constant Voltage - Universal  
Driver Class: Class 1  
Input Voltage (V): 120 - 277  
Output Voltage (V): 12

#### RATINGS AND CERTIFICATIONS

Certified By: Certified for North American Standards  
IP rating: IP20



## D10ECLIP-MOD-SYS COMPONENTS SUSPENSION

### D109159-

#### DESCRIPTION

Eclipse Modular - Canopy with Composition Driver 300W -

#### GENERAL

Series: Eclipse  
Subseries: Eclipse - Composition Modular System  
Partner: Quasar  
Division: Design  
Installation: Suspension  
Product Type: Clusters  
Mounting Location: Ceiling

#### PHYSICAL

Shape: Rectangle  
Diameter (mm): 355  
Diameter (in): 14  
Height (mm): 85  
Height (in): 3 3/8  
Fixture Finish: NIC / BRA / BBR  
Fixture Material: Metal  
Cable Details: 1500mm cable

#### ELECTRICAL

Input Wattage Range: 300 - 399 W  
Input Wattage (W): 300  
Dimming: Non-Dimming / Phase Dimming (120vac Only)  
Driver Included: Yes  
Driver Location: Integrated  
Driver Type: Constant Voltage - Universal  
Driver Class: Class 1  
Input Voltage (V): 120 - 277  
Output Voltage (V): 12

#### RATINGS AND CERTIFICATIONS

Certified By: Certified for North American Standards  
IP rating: IP20



### LEGEND

	floor-mounted		pivotal		special LED (upon request) RGB, RGBW, tunable, gold+, meat+, art+, fashion+
	wall and ceiling: recessed and surface mounted		rotating		warm dim / natural dimming LED
	ceiling-mounted and wall-mounted		illuminate tilted		rechargeable battery powered
	wall-mounted		color of suspension cable		fixture with natural vivid LED (upon request)
	omni-directional light distribution		length of suspension cable		color rendering index
	direct light distribution		reflector degree selection		color temperature
	direct/indirect light distribution		super spot		lumen (luminous flux)
	indirect light distribution		lens		efficacy (lumens per watt)
	asymmetric light distribution		lens pack		Unified Glare Rating (UGR) range from 5-40
	aura light distribution		shine ring		marine grade (AISI 316 stainless steel)
	round wall or ceiling cut-out		integrated shine ring with diffuser		walk on
	square wall or ceiling cut-out		free individual colors 01-29		drive on
	the supplied jig specifies the cutout dimensions		individual colors: 00 (free of charge), 01-25 (extra charge)		Dark Sky Compliance
	minimum distance (meters) lamp - object		luminaire part to be colored (F1)		Americans with Disabilities Act (less than 4" off the wall located between 27"-84" from floor)
	recessed depth		luminaire part to be colored (F2)		lamp protected against explosion
	ceiling thickness in mm		luminaire part to be colored (F3)		blown glass using traditional methods by master glass blower
	ceiling thickness selection		luminaire part to be colored (F4)		acoustic material
	dimnable DP (phase), DV (0-10V), DD (dali), DS (step-dim)		luminaire part to be colored (F5)		protection class I, protection insulation
	included or excluded LED driver/transformer/control gear		color of 3-circuit adaptor		protection class II, protection insulation
	separately switchable		indirect diffuser		ETL Certified to UL and CSA Standards
	sensor		direct diffuser		UL Certified to UL and CSA Standards
	remote control		ball-proof (upon request)		CSA Certified to UL and CSA Standards
	available upon request		accessory		Certified for North American Standards

### IP RATING

	protected against ingress of solid bodies greater than 12.5mm (finger)
	protected against ingress of solid bodies greater than 2.5mm protected against sprays of water up to 60 degrees from the vertical (rain)
	protected against ingress of solid bodies greater than 1mm (wire) no protection against the ingress of moisture
	protected against ingress of solid bodies greater than 1mm (wire) protected against sprays of water up to 60 degrees from the vertical (rain)
	protected against ingress of solid bodies greater than 1mm (wire) protected against water splashed from all directions
	protected against limited ingress of dust (wet rooms/covered outdoor areas) protected against water splashed from all directions
	protected against ingress of dust protected against jets of water
	protected against ingress of dust protected against powerful jets of water or heavy seas
	protected against ingress of dust protected against immersion of water between 15cm - 1m for 30 minutes
	protected against ingress of dust protected against immersion of water under pressure for long periods

### IK RATING

	protected against 0.14 joules impact (equivalent to 0.25kg mass dropped from 56mm above the surface)
	protected against 0.2 joules impact (equivalent to 0.25kg mass dropped from 80mm above the surface)
	protected against 0.35 joules impact (equivalent to 0.25kg mass dropped from 140mm above the surface)
	protected against 0.5 joules impact (equivalent to 0.25kg mass dropped from 200mm above the surface)
	protected against 0.7 joules impact (equivalent to 0.25kg mass dropped from 280mm above the surface)
	protected against 1 joules impact (equivalent to 0.25kg mass dropped from 400mm above the surface)
	protected against 2 joules impact (equivalent to 0.5kg mass dropped from 400mm above the surface)
	protected against 5 joules impact (equivalent to 1.7kg mass dropped from 300mm above the surface)
	protected against 10 joules impact (equivalent to 5.0kg mass dropped from 200mm above the surface)
	protected against 20 joules impact (equivalent to 5.0kg mass dropped from 400mm above the surface)