

D10LUM-MOD-SYS COMPONENTS SURFACE

D103124-

DESCRIPTION

Lum Panel - 441mm / 17 3/8" x 198mm / 7 13/16" x 20mm / 13/16"

GENERAL

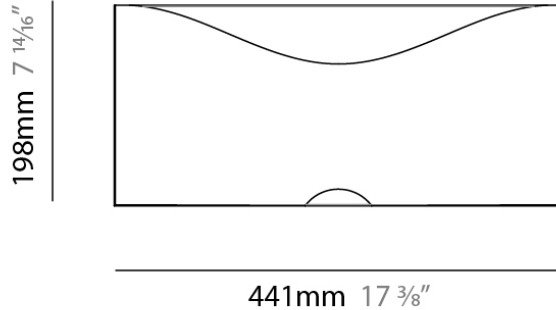
Series: Lum _____
Subseries: Lum Modular System _____
Brand: Quasar _____
Division: Design _____
Mounting Type: Surface _____
Mounting Location: Wall _____

PHYSICAL

Shape: Rectangle _____
Length (mm): 441 _____
Length (in): 17 3/8 _____
Width (mm): 20 _____
Width (in): 13/16 _____
Height (mm): 198 _____
Height (in): 7 13/16 _____
Weight (kg): 1 _____
Weight (lbs): 2.2 _____
Fixture Finish: COP / COX / MNP / MNT / SNR / SNS / SRP / SSP / TWP / TWT _____
Fixture Material: Metal _____

RATINGS AND CERTIFICATIONS

Certified By: Certified for North American Standards _____
IP rating: IP20 _____



D10LUM-MOD-SYS COMPONENTS SURFACE

D103125-

DESCRIPTION

Lum Panel with Light - 441mm / 17 3/8" x 198mm / 7 13/16" x 20mm / 13/16" - 4.5W LED - 2700K

GENERAL

Series: Lum _____
 Subseries: Lum Modular System _____
 Brand: Quasar _____
 Division: Design _____
 Mounting Type: Surface _____
 Mounting Location: Wall _____
 Subcategory: Ambient _____

PHYSICAL

Shape: Rectangle _____
 Length (mm): 441 _____
 Length (in): 17 3/8 _____
 Width (mm): 20 _____
 Width (in): 13/16 _____
 Height (mm): 198 _____
 Height (in): 7 13/16 _____
 Extension (mm): 120 _____
 Extension (in): 4 3/4 _____
 Light Distribution: Direct _____
 Weight (kg): 1 _____
 Weight (lbs): 2.2 _____
 Fixture Finish: COP / COX / MNP / MNT / SNR / SNS / SRP / SSP / TWP / TWT _____
 Fixture Material: Metal _____

ELECTRICAL

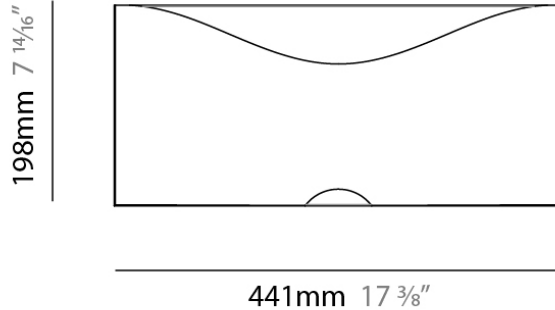
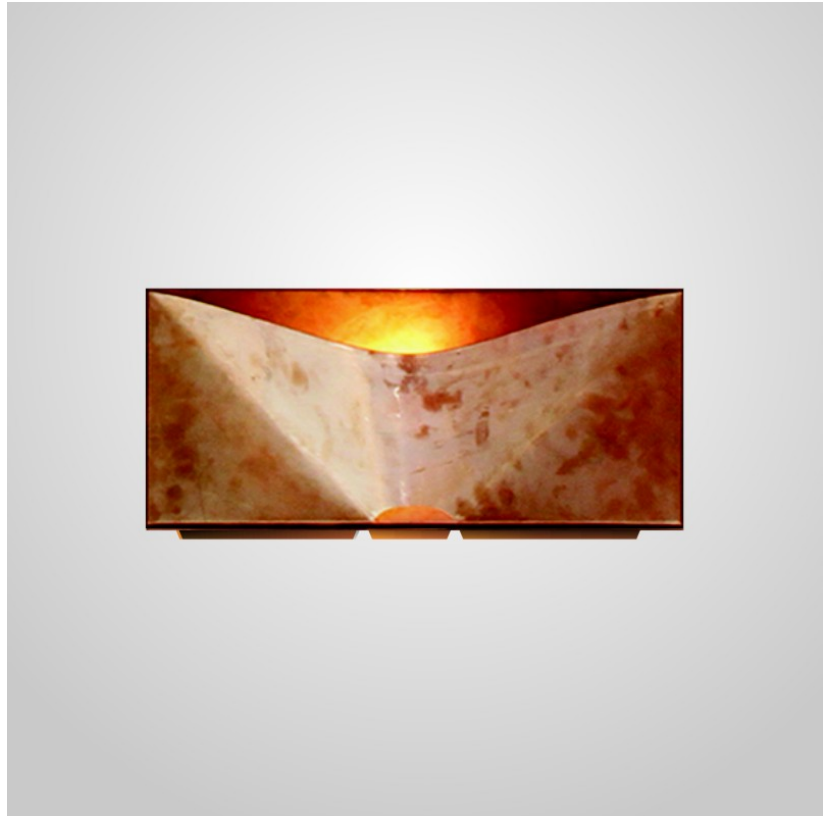
Lamp Type: LED _____
 Total Output Wattage (W): 4.5 _____
 Dimming: Non-Dimmable _____
 Driver Included: No _____
 Driver Location: Remote _____
 Driver Type: Constant Voltage - 120Vac _____
 Driver Class: Class 2 _____
 Input Voltage (V): 120 - 277 _____
 Output Voltage (V): 24 _____
 Upon Request: 277Vac _____

LED

Number of LEDs: 1 _____
 Color Temperature (°K): 2700 _____
 Max. Delivered Lumen (lm): 446 _____
 CRI: >90 CRI _____
 Lamp Life (hrs): 50000 _____

RATINGS AND CERTIFICATIONS

Certified By: Certified for North American Standards _____
 IP rating: IP20 _____



D10LUM-MOD-SYS COMPONENTS

D103129

DESCRIPTION

Lum - Driver for 4-50 Elements, with Light Unit

GENERAL

Series: Lum

Brand: Quasar

Division: Design

PHYSICAL

Width (mm): 21cm / 8 1/4"

ELECTRICAL

Input Voltage (V): 120

Output Voltage (V): 24

RATINGS AND CERTIFICATIONS

Certified By: Certified for North American Standards

IP rating: IP20

PROJECT

TYPE

NOTES

QUANTITY

DATE

D10LUM-MOD-SYS COMPONENTS

D109042

DESCRIPTION

Lum - Baseboard - Installation Strip 1320mm / 51 15/16" x 50mm / 1 5/16" - Black

GENERAL

Series: Lum
Brand: Quasar
Division: Design

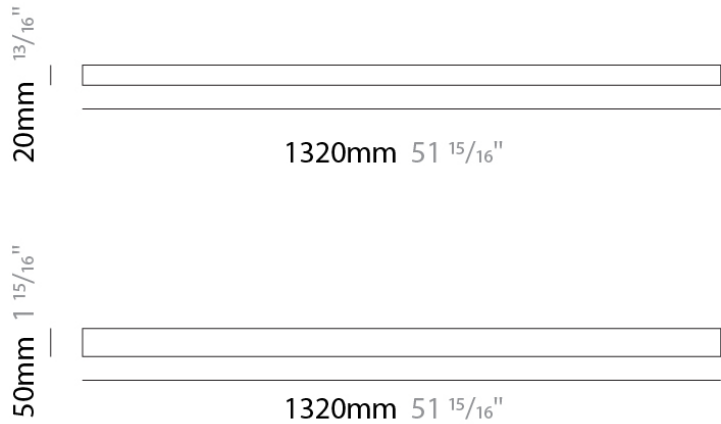
PHYSICAL

Length (mm): 1320
Length (in): 51 15/16"
Height (mm): 50
Height (in): 1 5/16"

RATINGS AND CERTIFICATIONS

Certified By: Certified for North American Standards
IP rating: IP20

PROJECT	_____
TYPE	_____
NOTES	_____
QUANTITY	_____
DATE	_____



D10LUM-MOD-SYS COMPONENTS

D109059

DESCRIPTION

Lum - Baseboard - Installation Strip 1320mm / 51 15/16" x 20mm / 13/16" - Black

GENERAL

Brand: Quasar

Division: Design

PHYSICAL

Length (mm): 1320

Length (in): 51 ¹⁵/₁₆"

Height (mm): 20

Height (in): 13/16"

RATINGS AND CERTIFICATIONS

Certified By: Certified for North American Standards

IP rating: IP20

PROJECT

TYPE

NOTES

QUANTITY

DATE



D10LUM-MOD-SYS COMPONENTS

DND0400024EV

DESCRIPTION

ERP - VLM40W-24 - Non-dimming - 40W - 24Vdc - 120 / 277Vac - LED power supply -Used with ENCP12 -Available with IP68- Outdoor Rated -ENCP20, ENCP22

GENERAL

Division: Architectural : Components : LED Drivers

PHYSICAL

Length (mm): 144

Length (in): 5 ⁴³/₆₄

Width (mm): 21

Width (in): 53/64

Height (mm): 19.8

Height (in): 13/16

Fixture Material: Aluminum

ELECTRICAL

Lamp Type: LED

Total Output Wattage (W): 1.2-40

Dimming: Non-Dimmable

Driver Type: Constant Voltage - Universal

Driver Class: Class 2

Input Voltage (V): 120 - 277

Output Voltage (V): 24

LED

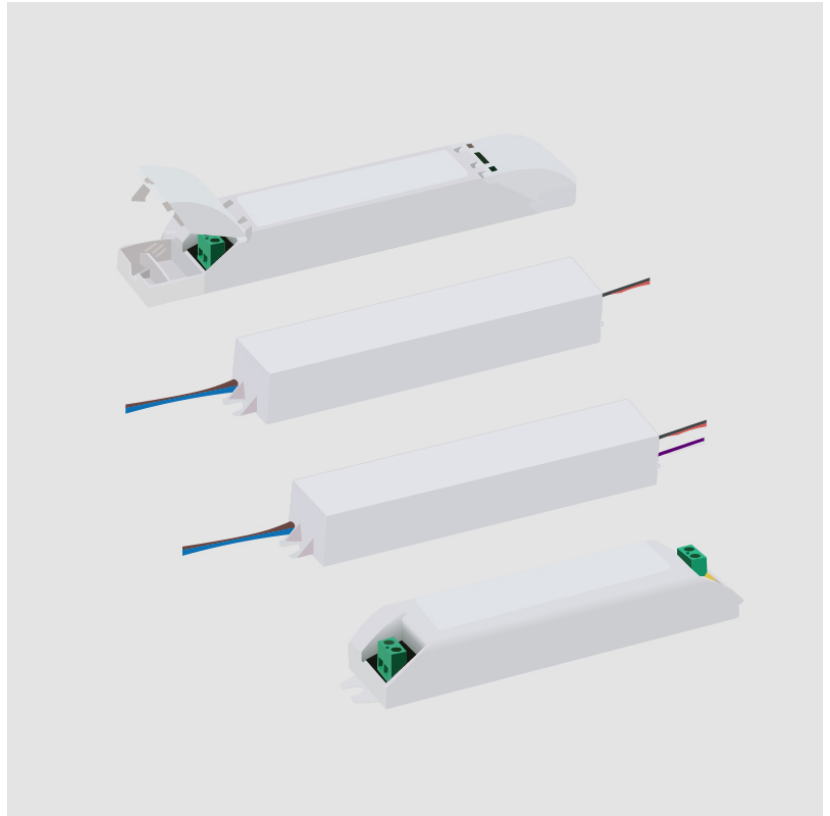
Efficiency (%): <92%

RATINGS AND CERTIFICATIONS

Certified By: UL Listed

Code Compliance: Title 24 commercial Installation

IP rating: IP20



D10LUM-MOD-SYS COMPONENTS

DND0600024EV

DESCRIPTION

ERP - VLM60W-24 - Non-dimming - 60W - 24Vdc - 120 / 277Vac - LED power supply -Used with ENCP12 -Available with IP68- Outdoor Rated -ENCP20, ENCP22

GENERAL

Division: Architectural : Components : LED Drivers

PHYSICAL

Length (mm): 144

Length (in): 5 ⁴³/₆₄

Width (mm): 21

Width (in): 53/64

Height (mm): 19.8

Height (in): 13/16

Weight (kg): 0.122

Weight (lbs): 0.268

Fixture Material: Aluminum

ELECTRICAL

Lamp Type: LED

Total Output Wattage (W): 1.2-60

Dimming: Non-Dimmable

Driver Type: Constant Voltage - Universal

Driver Class: Class 2

Input Voltage (V): 120 - 277

Output Voltage (V): 24

LED

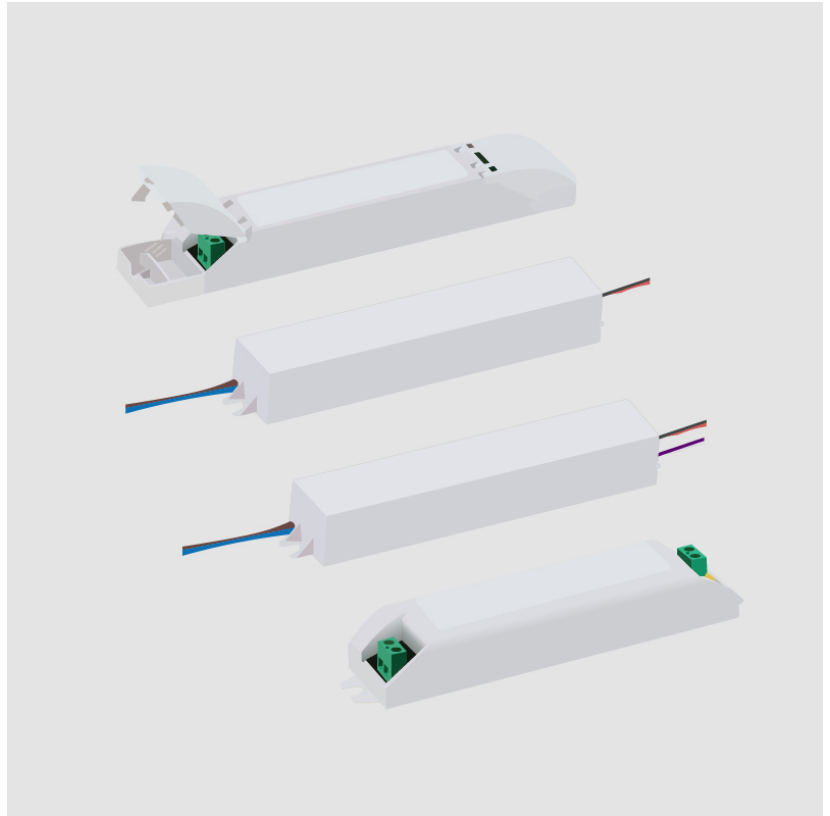
Efficiency (%): <92%

RATINGS AND CERTIFICATIONS

Certified By: UL Listed

Code Compliance: Title 24 commercial Installation

IP rating: IP20



D10LUM-MOD-SYS COMPONENTS

DND1000024EV

DESCRIPTION

ERP VLM100W-24 - 100W - 24Vdc - 120-277Vac - Non-dimming - LED power supply -Used with ENCP12 -Available with IP68- Outdoor Rated -ENCP20, ENCP22

GENERAL

Division: Architectural : Components : LED Drivers

PHYSICAL

Length (mm): 151

Length (in): 5 ¹⁵/₁₆

Width (mm): 27.3

Width (in): 1 ⁵/₆₄

Height (mm): 19.8

Height (in): 25/32

Weight (kg): 0.159

Weight (lbs): 0.35

Fixture Material: Aluminum

ELECTRICAL

Lamp Type: LED

Input Wattage (W): 103

Total Output Wattage (W): 4.8-96

Dimming: Non-Dimmable

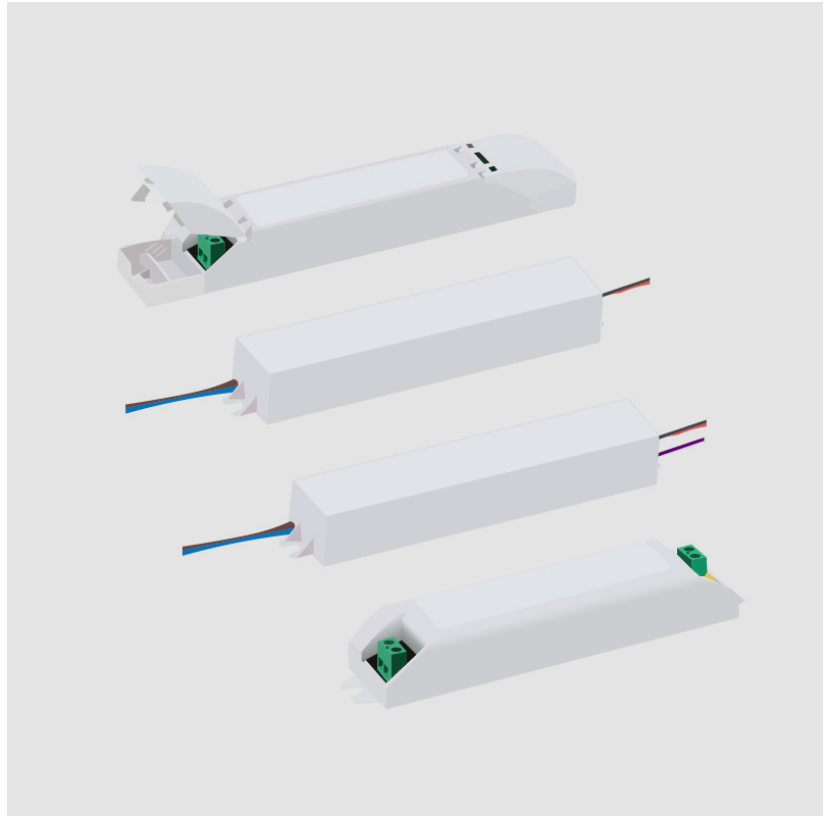
Driver Class: Class 2

Input Voltage (V): 120 - 277

Output Voltage (V): 24

LED

Efficiency (%): <92



PROJECT	
TYPE	
NOTES	
QUANTITY	
DATE	

D10LUM-MOD-SYS COMPONENTS

ENCP1

DESCRIPTION

Empty Metal Enclosure for Driver - IP20 - Indoor Rated

GENERAL

Division: Architectural : Components

PHYSICAL

Shape: Rectangle

Length (mm): 197

Length (in): 7 ¾"

Width (mm): 41

Width (in): 1 ⅝"

Height (mm): 41

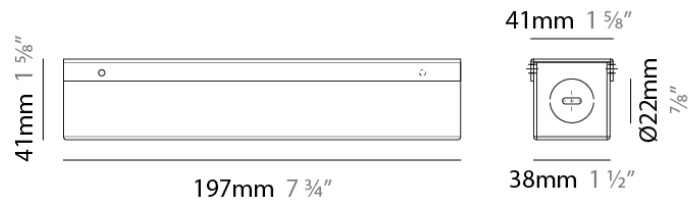
Height (in): 1 ⅝"

Screws: A4 stainless steel

Fixture Material: Metal

RATINGS AND CERTIFICATIONS

IP rating: IP20













LEGEND

 floor-mounted	 pivotable	 special LED (upon request) RGB, RGBW, tunable, gold+, meat+, art+, fashion+
 wall and ceiling: recessed and surface mounted	 rotating	 warm dim / natural dimming LED
 ceiling-mounted and wall-mounted	 illuminate tilted	 rechargeable battery powered
 wall-mounted	 color of suspension cable	 fixture with natural vivid LED (upon request)
 omni-directional light distribution	 length of suspension cable	 color rendering index
 direct light distribution	 reflector degree selection	 color temperature
 direct/indirect light distribution	 super spot	 lumen (luminous flux)
 indirect light distribution	 lens	 efficacy (lumens per watt)
 asymmetric light distribution	 lens pack	 Unified Glare Rating (UGR) range from 5-40
 aura light distribution	 shine ring	 marine grade (AISI 316 stainless steel)
 round wall or ceiling cut-out	 integrated shine ring with diffuser	 walk on
 square wall or ceiling cut-out	 free individual colors 01-29	 drive on
 the supplied jig specifies the cutout dimensions	 individual colors: 00 (free of charge), 01-25 (extra charge)	 Dark Sky Compliance
 minimum distance (meters) lamp - object	 luminaire part to be colored (F1)	 Americans with Disabilities Act (less than 4" off the wall located between 27"-84" from floor)
 recessed depth	 luminaire part to be colored (F2)	 lamp protected against explosion
 ceiling thickness in mm	 luminaire part to be colored (F3)	 blown glass using traditional methods by master glass blower
 ceiling thickness selection	 luminaire part to be colored (F4)	 acoustic material
 dimmable DP (phase), DV (0-10V), DD (dali), DS (step-dim)	 luminaire part to be colored (F5)	 protection class I, protection insulation
 included or excluded LED driver/transformer/control gear	 color of 3-circuit adaptor	 protection class II, protection insulation
 separately switchable	 indirect diffuser	 ETL Certified to UL and CSA Standards
 sensor	 direct diffuser	 UL Certified to UL and CSA Standards
 remote control	 ball-proof (upon request)	 CSA Certified to UL and CSA Standards
 available upon request	 accessory	 Certified for North American Standards

IP RATING

 IP20	protected against ingress of solid bodies greater than 12.5mm (finger)
 IP33	protected against ingress of solid bodies greater than 2.5mm protected against sprays of water up to 60 degrees from the vertical (rain)
 IP40	protected against ingress of solid bodies greater than 1mm (wire) no protection against the ingress of moisture
 IP43	protected against ingress of solid bodies greater than 1mm (wire) protected against sprays of water up to 60 degrees from the vertical (rain)
 IP44	protected against ingress of solid bodies greater than 1mm (wire) protected against water splashed from all directions
 IP54	protected against limited ingress of dust (wet rooms/covered outdoor areas) protected against water splashed from all directions
 IP65	protected against ingress of dust protected against jets of water
 IP66	protected against ingress of dust protected against powerful jets of water or heavy seas
 IP67	protected against ingress of dust protected against immersion of water between 15cm - 1m for 30 minutes
 IP68	protected against ingress of dust protected against immersion of water under pressure for long periods

IK RATING

 IK01	protected against 0.14 joules impact (equivalent to 0.25kg mass dropped from 56mm above the surface)
 IK02	protected against 0.2 joules impact (equivalent to 0.25kg mass dropped from 80mm above the surface)
 IK03	protected against 0.35 joules impact (equivalent to 0.25kg mass dropped from 140mm above the surface)
 IK04	protected against 0.5 joules impact (equivalent to 0.25kg mass dropped from 200mm above the surface)
 IK05	protected against 0.7 joules impact (equivalent to 0.25kg mass dropped from 280mm above the surface)
 IK06	protected against 1 joules impact (equivalent to 0.25kg mass dropped from 400mm above the surface)
 IK07	protected against 2 joules impact (equivalent to 0.5kg mass dropped from 400mm above the surface)
 IK08	protected against 5 joules impact (equivalent to 1.7kg mass dropped from 300mm above the surface)
 IK09	protected against 10 joules impact (equivalent to 5.0kg mass dropped from 200mm above the surface)
 IK10	protected against 20 joules impact (equivalent to 5.0kg mass dropped from 400mm above the surface)