

D10MONLT-MOD-SYS COMPONENTS SUSPENSION

D1010003-

DESCRIPTION

Moonlight Ø400mm / 15 3/4" x H.2000mm / 78 3/4" - Suspension
- 7.2W LED - 2700K, CRI>90

GENERAL

Series: Moonlight

Brand: Quasar

Division: Design

Mounting Type: Suspension

Mounting Location: Ceiling

Subcategory: Ambient

PHYSICAL

Shape: Abstract

Diameter (mm): 400

Diameter (in): 15 3/4"

Width (mm): 43

Width (in): 1 11/16"

Height (mm): 400

Height (in): 15 3/4"

Max. Overall Height (mm): 2400

Max. Overall Height (in): 94 1/2"

Light Distribution: Omnidirectional

Fixture Finish: ALU / BRA / BRZ / FOS / LOT

Fixture Material: Aluminum

Cable Details: 2000mm Cable

ELECTRICAL

Input Wattage Range: 1 - 9 W

Lamp Type: LED

Input Wattage (W): 7.2

Dimming: Non-Dimming / Phase Dimming (120vac Only)

Driver Included: Yes

Driver Location: Integrated

Driver Class: Class 2

Input Voltage (V): 120

Output Voltage (V): 24

Upon Request: 0-10V Dimming

LED

Color Temperature (°K): 2700

Nominal Lumen (lm): 504

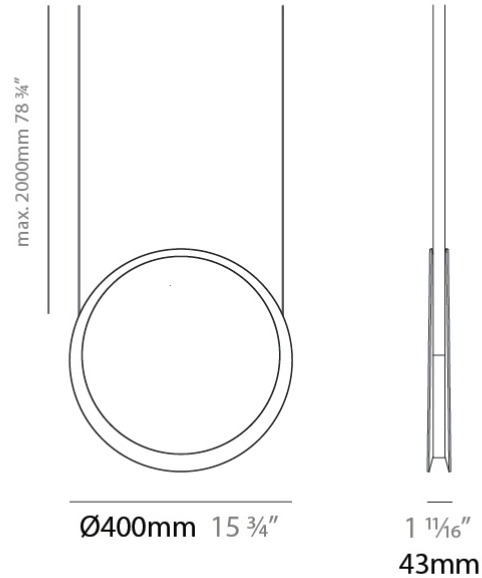
CRI: >90 CRI

Lamp Life (hrs): 50000

RATINGS AND CERTIFICATIONS

Certified By: Certified for North American Standards

IP rating: IP20



D10MONLT-MOD-SYS COMPONENTS SUSPENSION

D1010005-

DESCRIPTION

Moonlight ØSuspension - 500mm/19 11/16" x 2000mm/78 3/4" - 1 x 9.8W LED Strip, 2700K, CRI>90

GENERAL

Series: Moonlight
 Brand: Quasar
 Division: Design
 Mounting Type: Suspension
 Mounting Location: Ceiling
 Subcategory: Ambient

PHYSICAL

Shape: Abstract
 Diameter (mm): 500
 Diameter (in): 19 11/16"
 Height (mm): 500
 Height (in): 19 11/16"
 Max. Overall Height (mm): 2500
 Max. Overall Height (in): 98 7/16"
 Light Distribution: Omnidirectional
 Fixture Finish: ALU / BRA / BRZ / FOS / LOT
 Fixture Material: Aluminum
 Cable Details: 2000mm Cable

ELECTRICAL

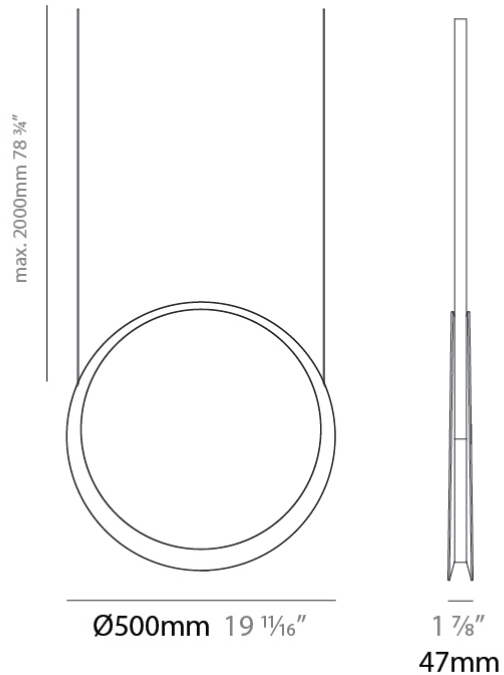
Input Wattage Range: 1 - 9 W
 Lamp Type: LED
 Input Wattage (W): 9.8
 Dimming: Non-Dimming / Phase Dimming (120vac Only)
 Driver Included: Yes
 Driver Location: Integrated
 Driver Class: Class 2
 Input Voltage (V): 120
 Output Voltage (V): 24
 Upon Request: 0-10V Dimming

LED

Color Temperature (°K): 2700
 Nominal Lumen (lm): 637
 CRI: >90 CRI
 Lamp Life (hrs): 50000

RATINGS AND CERTIFICATIONS

Certified By: Certified for North American Standards
 IP rating: IP20



D10MONLT-MOD-SYS COMPONENTS

PROJECT
TYPE
NOTES
QUANTITY
DATE

D109141-

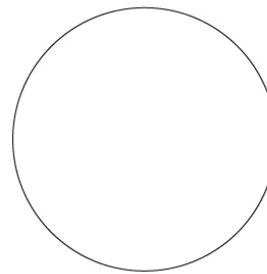
DESCRIPTION
Moonlight Wall Canopy

GENERAL
Series: Moonlight
Brand: Quasar
Division: Design
Mounting Location: Ceiling
Subcategory: Modular Systems

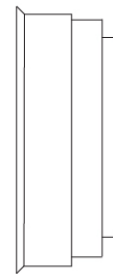
PHYSICAL
Shape: Abstract
Diameter (mm): 130
Diameter (in): 5 1/8
Height (mm): 130
Depth (mm): 60
Height (in): 5 1/8
Depth (in): 2 3/8
Fixture Finish: ALU / BRA / BRZ / FOS / LOT
Fixture Material: Aluminum

ELECTRICAL
Dimming: Non-Dimming / Phase Dimming (120vac Only)
Driver Included: No
Driver Location: Remote
Driver Class: Class 2
Input Voltage (V): 120
Output Voltage (V): 24

RATINGS AND CERTIFICATIONS
Certified By: Certified for North American Standards
IP rating: IP20



Ø130mm 5 1/8"



60mm 2 3/8"



D10MONLT-MOD-SYS COMPONENTS

PROJECT	_____
TYPE	_____
NOTES	_____
QUANTITY	_____
DATE	_____

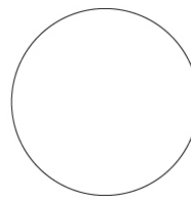
D109142-

DESCRIPTION
Moonlight Wall Fixation

GENERAL
Series: Moonlight
Brand: Quasar
Division: Design
Mounting Location: Ceiling
Subcategory: Modular Systems

PHYSICAL
Shape: Abstract
Diameter (mm): 30
Diameter (in): 1 ³/₁₆
Height (mm): 30
Depth (mm): 50
Height (in): 1 ¹³/₁₆
Depth (in): 1 ¹⁵/₁₆
Fixture Finish: ALU / BRA / BRZ / FOS / LOT
Fixture Material: Aluminum

RATINGS AND CERTIFICATIONS
Certified By: Certified for North American Standards
IP rating: IP20



Ø30mm 1 ³/₁₆"



50mm 1 ¹⁵/₁₆"



D10MONLT-MOD-SYS COMPONENTS

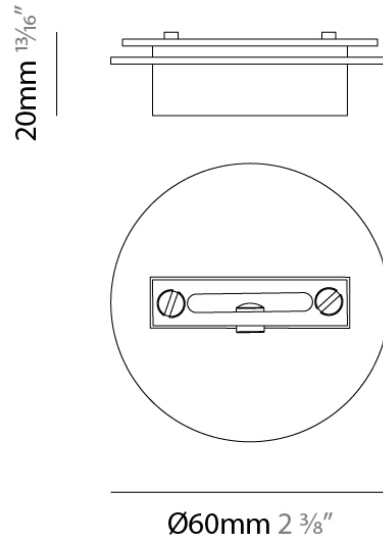
D109143-

DESCRIPTION
 Moonlight Recessed Mounting Set

GENERAL
 Series: Moonlight
 Brand: Quasar
 Division: Design
 Mounting Location: Ceiling
 Subcategory: Modular Systems

PHYSICAL
 Shape: Abstract
 Diameter (mm): 60
 Diameter (in): 2 3/8
 Height (mm): 60
 Depth (mm): 20
 Height (in): 2 3/8
 Depth (in): 13/16
 Fixture Finish: ALU / BRA / BRZ / FOS / LOT
 Fixture Material: Aluminum

RATINGS AND CERTIFICATIONS
 Certified By: Certified for North American Standards
 IP rating: IP20



D10MONLT-MOD-SYS COMPONENTS

D109144-

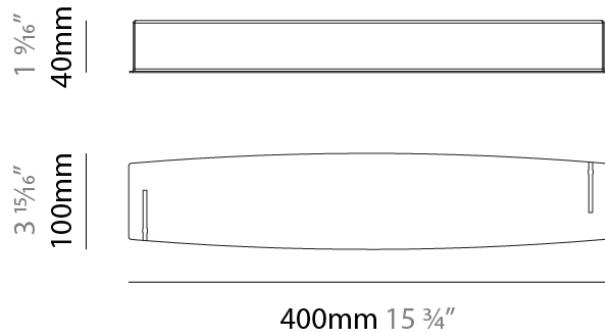
DESCRIPTION
 Moonlight Canopy Single for 400mm Suspension

GENERAL
 Series: Moonlight
 Brand: Quasar
 Division: Design
 Mounting Location: Ceiling
 Subcategory: Modular Systems

PHYSICAL
 Shape: Abstract
 Length (mm): 400
 Length (in): 15 3/4
 Width (mm): 100
 Width (in): 3 15/16
 Height (mm): 40
 Height (in): 1 9/16
 Fixture Finish: ALU / BRA / BRZ / FOS / LOT
 Fixture Material: Aluminum

ELECTRICAL
 Dimming: Non-Dimming / Phase Dimming (120vac Only)
 Driver Included: Yes
 Driver Location: Integrated
 Driver Class: Class 2
 Input Voltage (V): 120
 Output Voltage (V): 24

RATINGS AND CERTIFICATIONS
 Certified By: Certified for North American Standards
 IP rating: IP20



D10MONLT-MOD-SYS COMPONENTS

D109145-

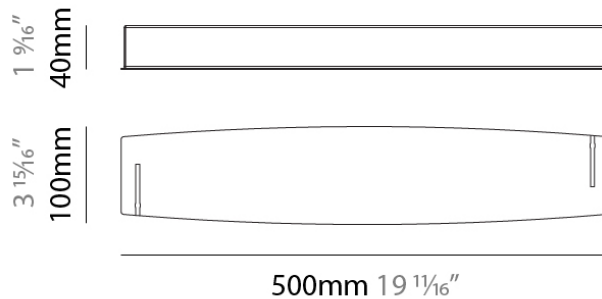
DESCRIPTION
 Moonlight Canopy Single for 500mm Suspension

GENERAL
 Series: Moonlight
 Brand: Quasar
 Division: Design
 Mounting Location: Ceiling
 Subcategory: Modular Systems

PHYSICAL
 Shape: Abstract
 Length (mm): 500
 Length (in): 19 15/16
 Width (mm): 100
 Width (in): 3 15/16
 Height (mm): 40
 Height (in): 1 9/16
 Fixture Finish: ALU / BRA / BRZ / FOS / LOT
 Fixture Material: Aluminum

ELECTRICAL
 Dimming: Non-Dimming / Phase Dimming (120vac Only)
 Driver Included: Yes
 Driver Location: Integrated
 Driver Class: Class 2
 Input Voltage (V): 120
 Output Voltage (V): 24

RATINGS AND CERTIFICATIONS
 Certified By: Certified for North American Standards
 IP rating: IP20



D10MONLT-MOD-SYS COMPONENTS

PROJECT	
TYPE	
NOTES	
QUANTITY	
DATE	

D109146-

DESCRIPTION

Moonlight Canopy Double for 400mm+400mm Suspension

GENERAL

Series: Moonlight
 Brand: Quasar
 Division: Design
 Mounting Location: Ceiling
 Subcategory: Modular Systems

PHYSICAL

Shape: Abstract
 Length (mm): 790
 Length (in): 31 1/8
 Width (mm): 190
 Width (in): 7 1/2
 Height (mm): 40
 Height (in): 1 9/16
 Fixture Finish: ALU / BRA / BRZ / FOS / LOT
 Fixture Material: Aluminum

ELECTRICAL

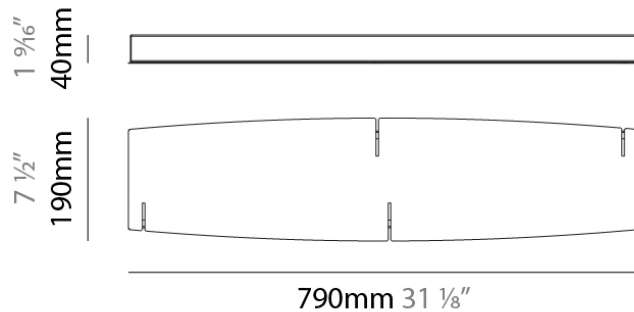
Input Wattage Range: 10 - 19 W
 Lamp Type: LED
 Input Wattage (W): 14.4
 Dimming: Non-Dimming / Phase Dimming (120vac Only)
 Driver Included: Yes
 Driver Location: Integrated
 Driver Class: Class 2
 Input Voltage (V): 120
 Output Voltage (V): 24
 Upon Request: 0-10V Dimming

LED

Color Temperature (°K): 2700
 CRI: >90 CRI
 Lamp Life (hrs): 50000

RATINGS AND CERTIFICATIONS

Certified By: Certified for North American Standards
 IP rating: IP20



D10MONLT-MOD-SYS COMPONENTS

D109147-

DESCRIPTION
 Moonlight Canopy Double for 400mm+500mm Suspension

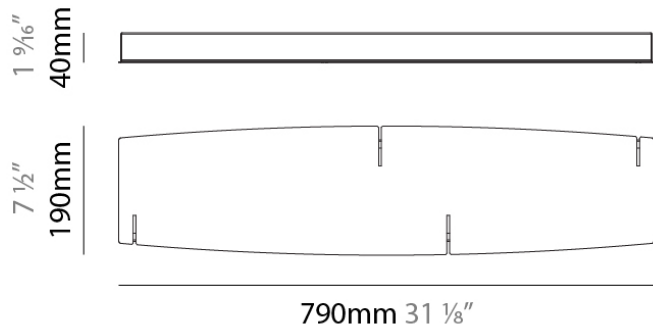
GENERAL
 Series: Moonlight
 Brand: Quasar
 Division: Design
 Mounting Location: Ceiling
 Subcategory: Modular Systems

PHYSICAL
 Shape: Abstract
 Length (mm): 790
 Length (in): 31 1/8
 Width (mm): 190
 Width (in): 7 1/2
 Height (mm): 40
 Height (in): 1 9/16
 Fixture Finish: ALU / BRA / BRZ / FOS / LOT
 Fixture Material: Aluminum

ELECTRICAL
 Input Wattage Range: 10 - 19 W
 Lamp Type: LED
 Input Wattage (W): 17
 Dimming: Non-Dimming / Phase Dimming (120vac Only)
 Driver Included: Yes
 Driver Location: Integrated
 Driver Class: Class 2
 Input Voltage (V): 120
 Output Voltage (V): 24
 Upon Request: 0-10V Dimming

LED
 Color Temperature (°K): 2700
 CRI: >90 CRI
 Lamp Life (hrs): 50000

RATINGS AND CERTIFICATIONS
 Certified By: Certified for North American Standards
 IP rating: IP20



D10MONLT-MOD-SYS COMPONENTS

D109148-

DESCRIPTION
 Moonlight Canopy Double for 500mm+500mm Suspension

GENERAL

Series: Moonlight
 Brand: Quasar
 Division: Design
 Mounting Location: Ceiling
 Subcategory: Modular Systems

PHYSICAL

Shape: Abstract
 Length (mm): 790
 Length (in): 31 1/8
 Width (mm): 190
 Width (in): 7 1/2
 Height (mm): 40
 Height (in): 1 9/16
 Fixture Finish: ALU / BRA / BRZ / FOS / LOT
 Fixture Material: Aluminum

ELECTRICAL

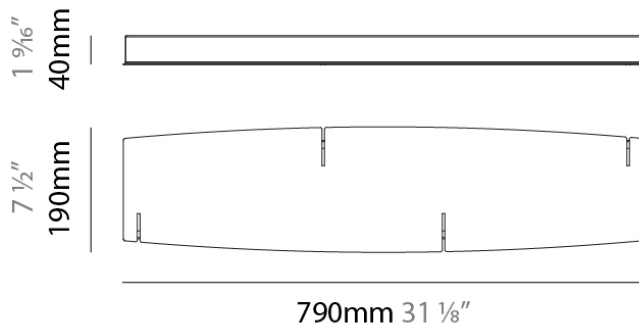
Input Wattage Range: 10 - 19 W
 Lamp Type: LED
 Input Wattage (W): 19.6
 Dimming: Non-Dimming / Phase Dimming (120vac Only)
 Driver Included: Yes
 Driver Location: Integrated
 Driver Class: Class 2
 Input Voltage (V): 120
 Output Voltage (V): 24
 Upon Request: 0-10V Dimming

LED

Color Temperature (°K): 2700
 CRI: >90 CRI
 Lamp Life (hrs): 50000

RATINGS AND CERTIFICATIONS

Certified By: Certified for North American Standards
 IP rating: IP20



D10MONLT-MOD-SYS COMPONENTS

D109149-

DESCRIPTION
 Moonlight Canopy Triple for 3 x 400mm Suspension

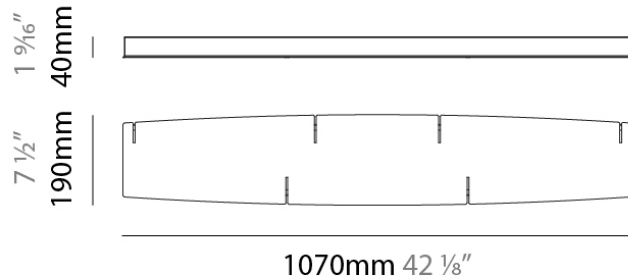
GENERAL
 Series: Moonlight
 Brand: Quasar
 Division: Design
 Mounting Location: Ceiling
 Subcategory: Modular Systems

PHYSICAL
 Shape: Abstract
 Length (mm): 1070
 Length (in): 42 1/8
 Width (mm): 190
 Width (in): 7 1/2
 Height (mm): 40
 Height (in): 1 9/16
 Fixture Finish: ALU / BRA / BRZ / FOS / LOT
 Fixture Material: Aluminum

ELECTRICAL
 Dimming: Non-Dimming / Phase Dimming (120vac Only)
 Driver Included: Yes
 Driver Location: Integrated
 Driver Class: Class 2
 Input Voltage (V): 120
 Output Voltage (V): 24

LED
 Lamp Life (hrs): 50000

RATINGS AND CERTIFICATIONS
 Certified By: Certified for North American Standards
 IP rating: IP20



D10MONLT-MOD-SYS COMPONENTS

D109150-

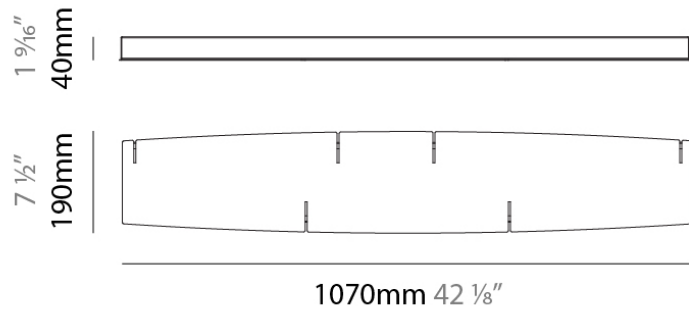
DESCRIPTION
 Moonlight Canopy Triple for 400mm+400mm+500mm
 Suspension

GENERAL
 Series: Moonlight
 Brand: Quasar
 Division: Design
 Mounting Location: Ceiling
 Subcategory: Modular Systems

PHYSICAL
 Shape: Abstract
 Length (mm): 1070
 Length (in): 42 1/8
 Width (mm): 190
 Width (in): 7 1/2
 Height (mm): 40
 Height (in): 1 9/16
 Fixture Finish: ALU / BRA / BRZ / FOS / LOT
 Fixture Material: Aluminum

ELECTRICAL
 Dimming: Non-Dimming / Phase Dimming (120vac Only)
 Driver Included: Yes
 Driver Location: Integrated
 Driver Class: Class 2
 Input Voltage (V): 120
 Output Voltage (V): 24

RATINGS AND CERTIFICATIONS
 Certified By: Certified for North American Standards
 IP rating: IP20



D10MONLT-MOD-SYS COMPONENTS

D109151-

DESCRIPTION

Moonlight Canopy Triple for 400mm+500mm+400mm Suspension

GENERAL

Series: Moonlight _____
 Brand: Quasar _____
 Division: Design _____
 Mounting Location: Ceiling _____
 Subcategory: Modular Systems _____

PHYSICAL

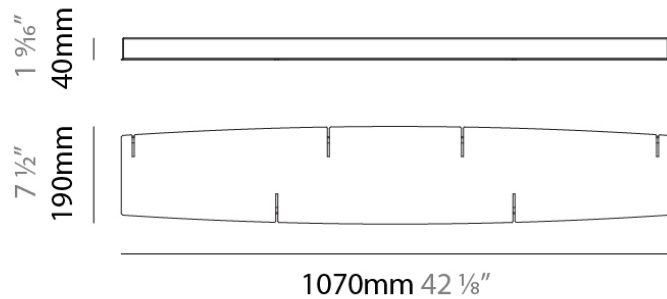
Shape: Abstract _____
 Length (mm): 1070 _____
 Length (in): 42 1/8 _____
 Width (mm): 190 _____
 Width (in): 7 1/2 _____
 Height (mm): 40 _____
 Height (in): 1 9/16 _____
 Fixture Finish: ALU / BRA / BRZ / FOS / LOT _____
 Fixture Material: Aluminum _____

ELECTRICAL

Dimming: Non-Dimming / Phase Dimming (120vac Only) _____
 Driver Included: Yes _____
 Driver Location: Integrated _____
 Driver Class: Class 2 _____
 Input Voltage (V): 120 _____
 Output Voltage (V): 24 _____

RATINGS AND CERTIFICATIONS

Certified By: Certified for North American Standards _____
 IP rating: IP20 _____



D10MONLT-MOD-SYS COMPONENTS

D109152-

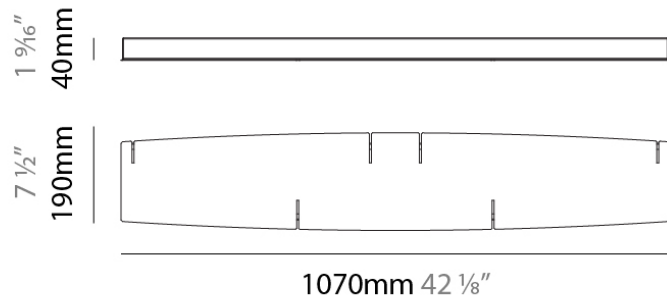
DESCRIPTION
 Moonlight Canopy Triple for 500mm+400mm+500mm
 Suspension

GENERAL
 Series: Moonlight _____
 Brand: Quasar _____
 Division: Design _____
 Mounting Location: Ceiling _____
 Subcategory: Modular Systems _____

PHYSICAL
 Shape: Abstract _____
 Length (mm): 1070 _____
 Length (in): 42 1/8 _____
 Width (mm): 190 _____
 Width (in): 7 1/2 _____
 Height (mm): 40 _____
 Height (in): 1 9/16 _____
 Fixture Finish: ALU / BRA / BRZ / FOS / LOT _____
 Fixture Material: Aluminum _____

ELECTRICAL
 Dimming: Non-Dimming / Phase Dimming (120vac Only) _____
 Driver Included: Yes _____
 Driver Location: Integrated _____
 Driver Class: Class 2 _____
 Input Voltage (V): 120 _____
 Output Voltage (V): 24 _____

RATINGS AND CERTIFICATIONS
 Certified By: Certified for North American Standards _____
 IP rating: IP20 _____



D10MONLT-MOD-SYS COMPONENTS

D109153

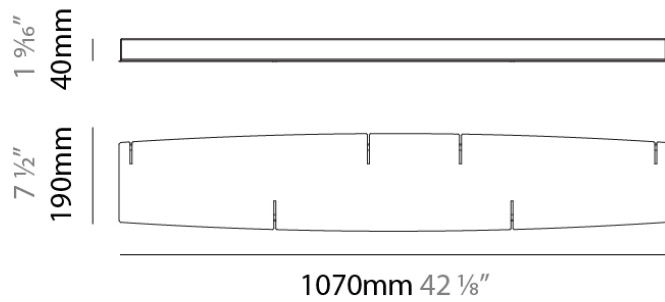
DESCRIPTION
 Moonlight Canopy Triple for 500mm+500mm+400mm
 Suspension

GENERAL
 Series: Moonlight
 Brand: Quasar
 Division: Design
 Mounting Location: Ceiling
 Subcategory: Modular Systems

PHYSICAL
 Shape: Abstract
 Length (mm): 1070
 Length (in): 42 1/8
 Width (mm): 190
 Width (in): 7 1/2
 Height (mm): 40
 Height (in): 1 9/16
 Fixture Finish: ALU / BRA / BRZ / FOS / LOT
 Fixture Material: Aluminum

ELECTRICAL
 Dimming: Non-Dimming / Phase Dimming (120vac Only)
 Driver Included: Yes
 Driver Location: Integrated
 Driver Class: Class 2
 Input Voltage (V): 120
 Output Voltage (V): 24

RATINGS AND CERTIFICATIONS
 Certified By: Certified for North American Standards
 IP rating: IP20



D10MONLT-MOD-SYS COMPONENTS

D109154-

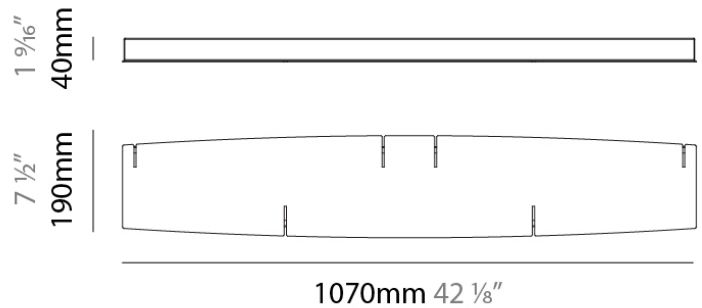
DESCRIPTION
 Moonlight Canopy Triple for 3 x 500mm Suspension

GENERAL
 Series: Moonlight
 Brand: Quasar
 Division: Design
 Mounting Location: Ceiling
 Subcategory: Modular Systems

PHYSICAL
 Shape: Abstract
 Length (mm): 1070
 Length (in): 42 1/8
 Width (mm): 190
 Width (in): 7 1/2
 Height (mm): 40
 Height (in): 1 9/16
 Fixture Finish: ALU / BRA / BRZ / FOS / LOT
 Fixture Material: Aluminum

ELECTRICAL
 Dimming: Non-Dimming / Phase Dimming (120vac Only)
 Driver Included: Yes
 Driver Location: Integrated
 Driver Class: Class 2
 Input Voltage (V): 120
 Output Voltage (V): 24

RATINGS AND CERTIFICATIONS
 Certified By: Certified for North American Standards
 IP rating: IP20



D10MONLT-MOD-SYS COMPONENTS

D109163-

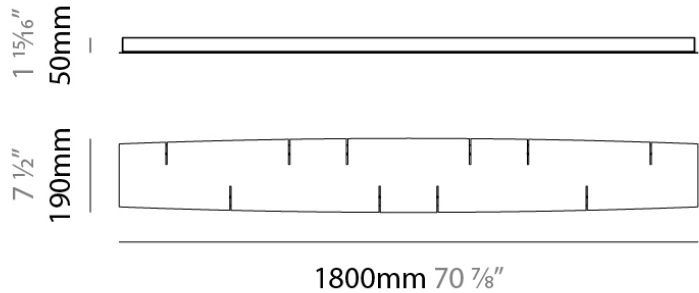
DESCRIPTION
 Moonlight 5 canopy 40-50-40-50-40 for 9 rings. length +/- 289cm

GENERAL
 Series: Moonlight
 Brand: Quasar
 Division: Design
 Mounting Location: Ceiling
 Subcategory: Modular Systems

PHYSICAL
 Shape: Oblong
 Length (mm): 1800
 Length (in): 70 7/8
 Width (mm): 190
 Width (in): 7 1/2
 Height (mm): 50
 Height (in): 1 15/16
 Fixture Material: Metal

ELECTRICAL
 Dimming: Phase Dimming (120Vac Only)
 Driver Included: Yes

RATINGS AND CERTIFICATIONS
 Certified By: Certified for North American Standards
 IP rating: IP20



D10MONLT-MOD-SYS COMPONENTS

LEGEND

	floor-mounted		pivotal		special LED (upon request) RGB, RGBW, tunable, gold+, meat+, art+, fashion+
	wall and ceiling: recessed and surface mounted		rotating		warm dim / natural dimming LED
	ceiling-mounted and wall-mounted		illuminate tilted		rechargeable battery powered
	wall-mounted		color of suspension cable		fixture with natural vivid LED (upon request)
	omni-directional light distribution		length of suspension cable		color rendering index
	direct light distribution		reflector degree selection		color temperature
	direct/indirect light distribution		super spot		lumen (luminous flux)
	indirect light distribution		lens		efficacy (lumens per watt)
	asymmetric light distribution		lens pack		Unified Glare Rating (UGR) range from 5-40
	aura light distribution		shine ring		marine grade (AISI 316 stainless steel)
	round wall or ceiling cut-out		integrated shine ring with diffuser		walk on
	square wall or ceiling cut-out		free individual colors 01-29		drive on
	the supplied jig specifies the cutout dimensions		individual colors: 00 (free of charge), 01-25 (extra charge)		Dark Sky Compliance
	minimum distance (meters) lamp - object		luminaire part to be colored (F1)		Americans with Disabilities Act (less than 4" off the wall located between 27"-84" from floor)
	recessed depth		luminaire part to be colored (F2)		lamp protected against explosion
	ceiling thickness in mm		luminaire part to be colored (F3)		blown glass using traditional methods by master glass blower
	ceiling thickness selection		luminaire part to be colored (F4)		acoustic material
	dimmable DP (phase), DV (0-10V), DD (dali), DS (step-dim)		luminaire part to be colored (F5)		protection class I, protection insulation
	included or excluded LED driver/transformer/control gear		color of 3-circuit adaptor		protection class II, protection insulation
	separately switchable		indirect diffuser		ETL Certified to UL and CSA Standards
	sensor		direct diffuser		UL Certified to UL and CSA Standards
	remote control		ball-proof (upon request)		CSA Certified to UL and CSA Standards
	available upon request		accessory		Certified for North American Standards

IP RATING

	protected against ingress of solid bodies greater than 12.5mm (finger)
	protected against ingress of solid bodies greater than 2.5mm protected against sprays of water up to 60 degrees from the vertical (rain)
	protected against ingress of solid bodies greater than 1mm (wire) no protection against the ingress of moisture
	protected against ingress of solid bodies greater than 1mm (wire) protected against sprays of water up to 60 degrees from the vertical (rain)
	protected against ingress of solid bodies greater than 1mm (wire) protected against water splashed from all directions
	protected against limited ingress of dust (wet rooms/covered outdoor areas) protected against water splashed from all directions
	protected against ingress of dust protected against jets of water
	protected against ingress of dust protected against powerful jets of water or heavy seas
	protected against ingress of dust protected against immersion of water between 15cm - 1m for 30 minutes
	protected against ingress of dust protected against immersion of water under pressure for long periods

IK RATING

	protected against 0.14 joules impact (equivalent to 0.25kg mass dropped from 56mm above the surface)
	protected against 0.2 joules impact (equivalent to 0.25kg mass dropped from 80mm above the surface)
	protected against 0.35 joules impact (equivalent to 0.25kg mass dropped from 140mm above the surface)
	protected against 0.5 joules impact (equivalent to 0.25kg mass dropped from 200mm above the surface)
	protected against 0.7 joules impact (equivalent to 0.25kg mass dropped from 280mm above the surface)
	protected against 1 joules impact (equivalent to 0.25kg mass dropped from 400mm above the surface)
	protected against 2 joules impact (equivalent to 0.5kg mass dropped from 400mm above the surface)
	protected against 5 joules impact (equivalent to 1.7kg mass dropped from 300mm above the surface)
	protected against 10 joules impact (equivalent to 5.0kg mass dropped from 200mm above the surface)
	protected against 20 joules impact (equivalent to 5.0kg mass dropped from 400mm above the surface)