

D10SP-MOD-SYS COMPONENTS

PROJECT	
TYPE	
NOTES	
QUANTITY	
DATE	

D109010-

DESCRIPTION
 Double Lighthead - 1 x 4.6W LED Citizen - 2700K - 376lm

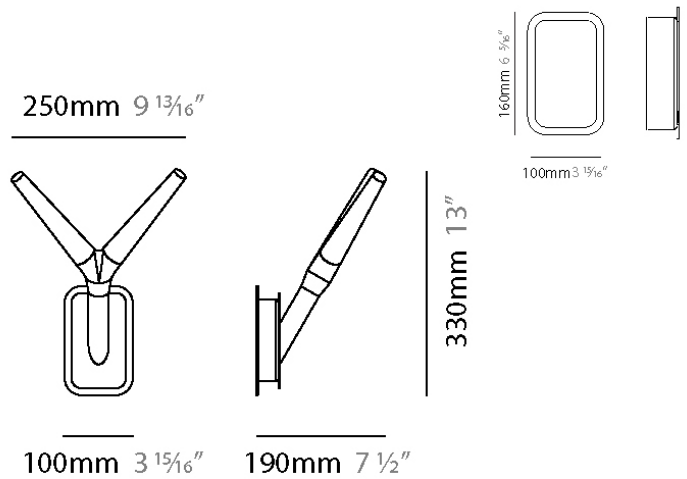
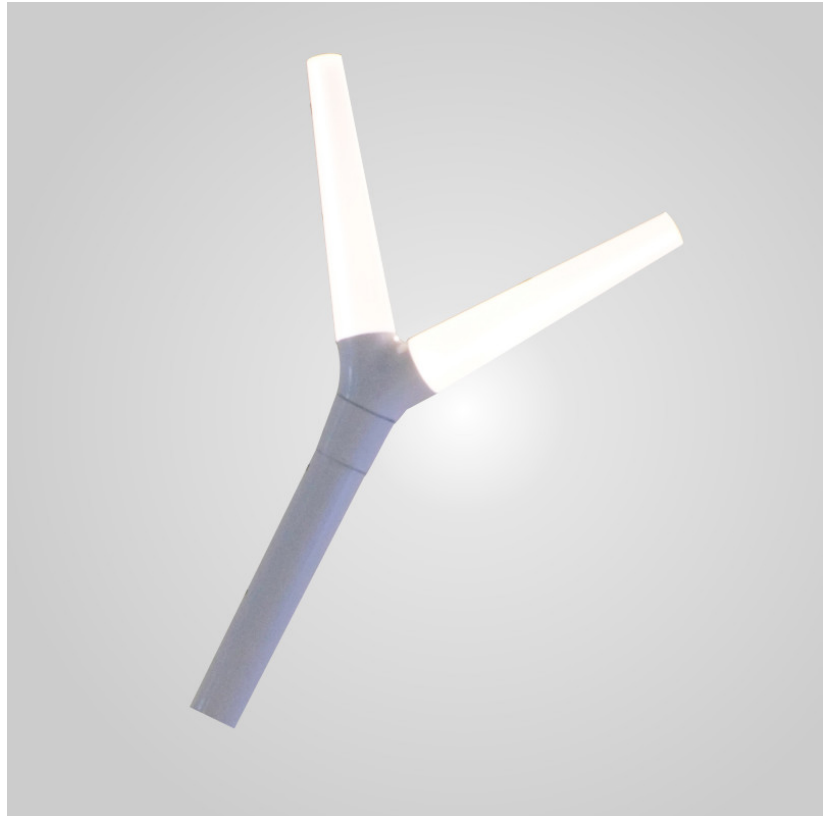
GENERAL
 Series: Sparks
 Subseries: Sparks Double Head
 Brand: Quasar
 Division: Design
 Subcategory: Ambient

PHYSICAL
 Shape: Abstract
 Length (mm): 225
 Length (in): 8.9
 Height (mm): 340
 Height (in): 13.4
 Light Distribution: Omnidirectional
 Fixture Finish: WHI / PAL
 Fixture Material: Metal

ELECTRICAL
 Lamp Type: LED
 Input Wattage (W): 4.6
 Total Output Wattage (W): 3.2
 Dimming: 0-10V Dimming / Phase Dimming (120Vac Only)
 Driver Included: No
 Driver Location: Remote
 Driver Type: Constant Voltage - Universal - Phase dimming @120Vac only
 Driver Class: Class 2
 Input Voltage (V): 120 - 277
 Output Voltage (V): 24
 Upon Request: 0-10Vdc dimming / Phase dimming @120Vac only / 277Vac

LED
 Delivered Lumen Range: 100 - 499 lm
 Number of LEDs: 1
 Color Temperature (°K): 2700
 Max. Delivered Lumen (lm): 376
 CRI: >90 CRI
 Lamp Life (hrs): 50000

RATINGS AND CERTIFICATIONS
 Certified By: Certified for North American Standards
 IP rating: IP20



D10SP-MOD-SYS COMPONENTS

D109011-

DESCRIPTION
 Sparks Triple Lighthead - 1 x 4.6W LED Citizen - 2700K - 326lm

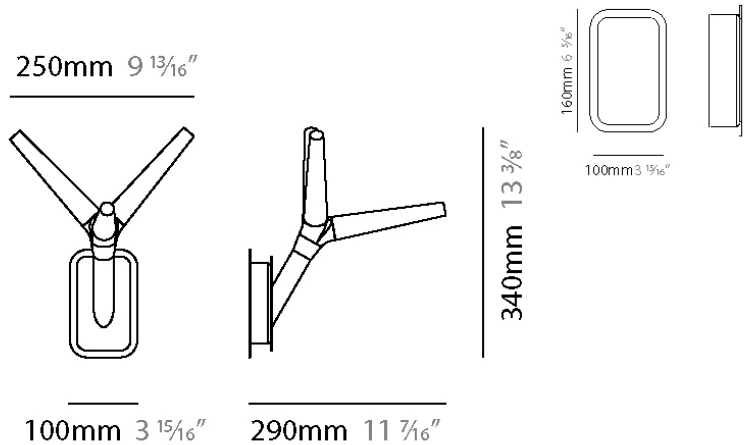
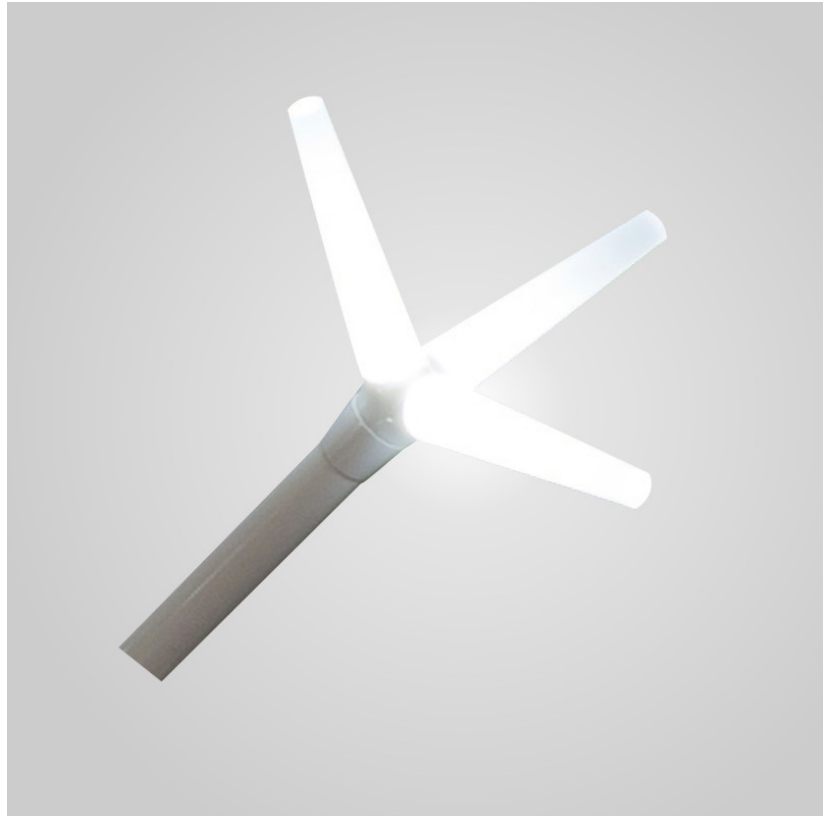
GENERAL
 Series: Sparks
 Subseries: Sparks Triple Head
 Brand: Quasar
 Division: Design
 Subcategory: Ambient

PHYSICAL
 Shape: Abstract
 Length (mm): 270
 Length (in): 10 7/8
 Height (mm): 330
 Height (in): 13
 Light Distribution: Omnidirectional
 Fixture Finish: WHI / PAL
 Fixture Material: Metal

ELECTRICAL
 Lamp Type: LED
 Input Wattage (W): 4.6
 Total Output Wattage (W): 3.2
 Dimming: 0-10V Dimming / Phase Dimming (120Vac Only)
 Driver Included: No
 Driver Location: Remote
 Driver Type: Constant Voltage - Universal - Phase dimming @120Vac only
 Driver Class: Class 2
 Input Voltage (V): 120 - 277
 Output Voltage (V): 24
 Upon Request: 0-10Vdc dimming / Phase dimming @120Vac only / Non-dimming @277Vac

LED
 Number of LEDs: 1
 Color Temperature (°K): 2700
 Max. Delivered Lumen (lm): 326
 CRI: >90 CRI
 Lamp Life (hrs): 50000

RATINGS AND CERTIFICATIONS
 Certified By: Certified for North American Standards
 IP rating: IP20



D10SP-MOD-SYS COMPONENTS

D109012-

DESCRIPTION

Sparks T Connector - 120mm / 4 3/4" x 140mm 5 1/2" - 2 x 110°, 1 x 140° -

GENERAL

Series: Sparks _____

Brand: Quasar _____

Division: Design _____

PHYSICAL

Width (mm): 140 _____

Width (in): 5 7/8 _____

Height (mm): 120 _____

Height (in): 4 3/4 _____

Fixture Finish: WHI / PAL _____

Fixture Material: Metal _____

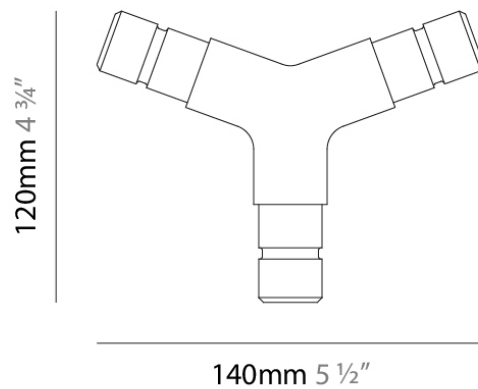
ELECTRICAL

Driver Included: No _____

RATINGS AND CERTIFICATIONS

Certified By: Certified for North American Standards _____

IP rating: IP20 _____



D10SP-MOD-SYS COMPONENTS

PROJECT	
TYPE	
NOTES	
QUANTITY	
DATE	

D109013-

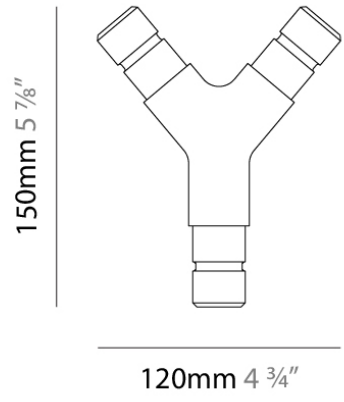
DESCRIPTION
 Sparks Y Connector - 120mm / 4 3/4" x 150mm / 5 7/8" - 2 x 140°, 1 x 80°

GENERAL
 Series: Sparks
 Brand: Quasar
 Division: Design

PHYSICAL
 Width (mm): 120
 Width (in): 4 3/4
 Height (mm): 150
 Height (in): 5 7/8
 Fixture Finish: WHI / PAL
 Fixture Material: Metal

ELECTRICAL
 Driver Included: No

RATINGS AND CERTIFICATIONS
 Certified By: Certified for North American Standards
 IP rating: IP20



D10SP-MOD-SYS COMPONENTS

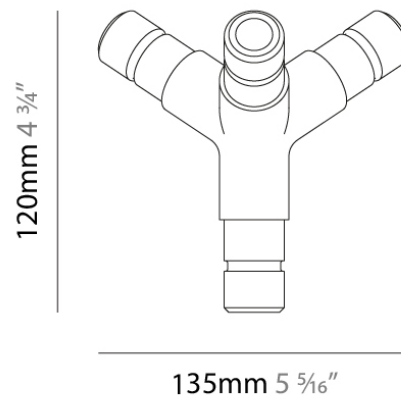
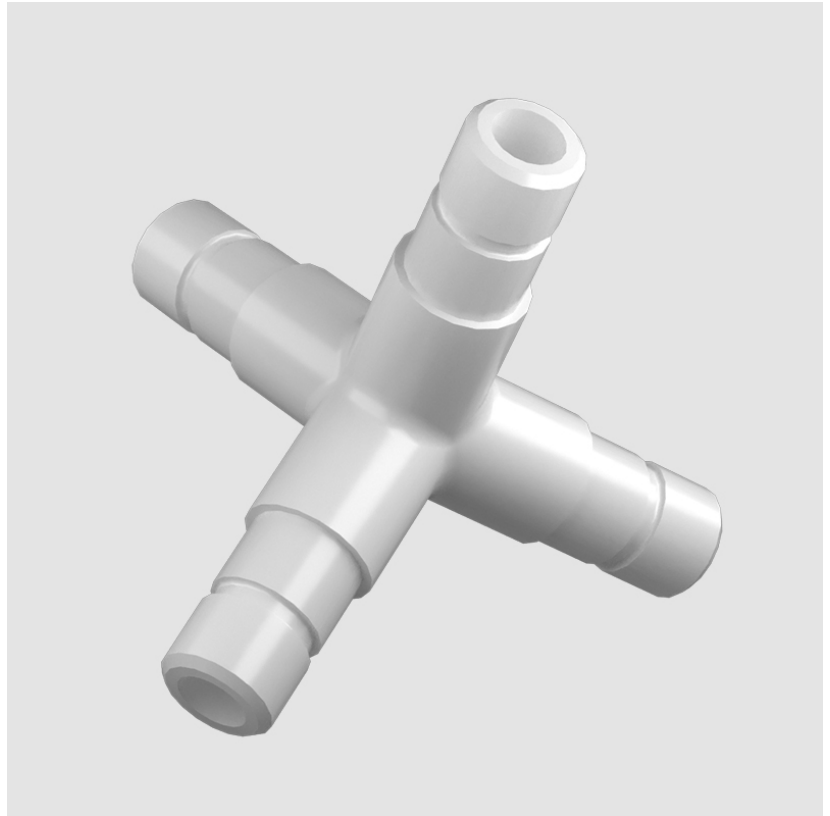
D109014-

DESCRIPTION
 Sparks X Connector - 314mm / 12 3/8" x 360mm / 14 3/16" -

GENERAL
 Series: Sparks
 Brand: Quasar
 Division: Design

PHYSICAL
 Width (mm): 135
 Width (in): 5 5/16"
 Height (mm): 120
 Height (in): 4 3/4"
 Fixture Finish: WHI / PAL
 Fixture Material: Metal

RATINGS AND CERTIFICATIONS
 Certified By: Certified for North American Standards
 IP rating: IP20



PROJECT	_____
TYPE	_____
NOTES	_____
QUANTITY	_____
DATE	_____

D10SP-MOD-SYS COMPONENTS

D109015-

DESCRIPTION

Sparks - Wall/Ceiling Connector with Cable - 226mm / 1 3/16" x 30mm / 8 7/8" -

GENERAL

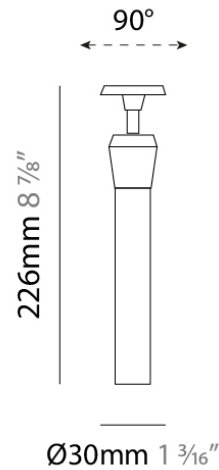
Series: Sparks _____
 Brand: Quasar _____
 Division: Design _____

PHYSICAL

Diameter (mm): 30 _____
 Diameter (in): 1 3/16 _____
 Height (mm): 226 _____
 Height (in): 8 7/8 _____
 Fixture Finish: WHI / PAL _____
 Fixture Material: Metal _____

RATINGS AND CERTIFICATIONS

Certified By: Certified for North American Standards _____
 IP rating: IP20 _____



D10SP-MOD-SYS COMPONENTS

D109016-

DESCRIPTION

Sparks - Wall/Ceiling Connector - 226mm / 1 3/16" x 30mm / 8 7/8" -

GENERAL

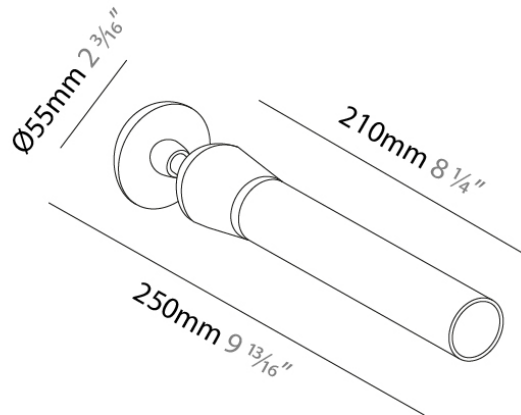
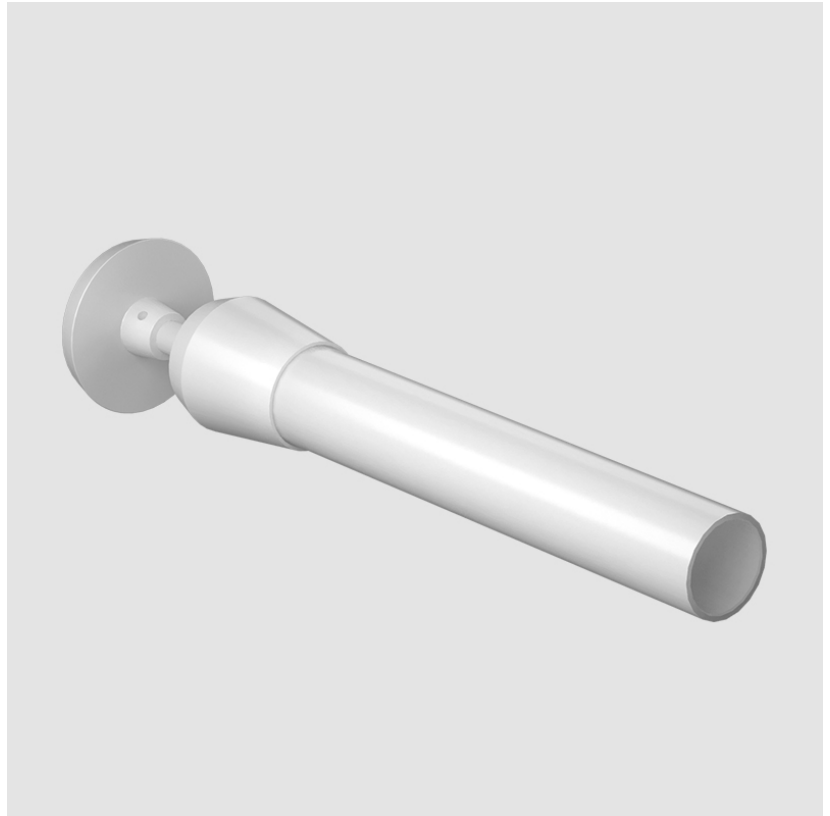
Series: Sparks _____
Brand: Quasar _____
Division: Design _____

PHYSICAL

Diameter (mm): 30 _____
Diameter (in): 1 3/16 _____
Height (mm): 226 _____
Height (in): 8 7/8 _____
Fixture Finish: WHI / PAL _____
Fixture Material: Metal _____

RATINGS AND CERTIFICATIONS

Certified By: Certified for North American Standards _____
IP rating: IP20 _____



D10SP-MOD-SYS COMPONENTS

D109017-

DESCRIPTION

Sparks Tube - 350mm / 13 3/4"

GENERAL

Series: Sparks

Brand: Quasar

Division: Design

PHYSICAL

Diameter (mm): 30

Diameter (in): 1 3/16

Length (mm): 350

Length (in): 13 3/4

Fixture Finish: WHI / PAL

Fixture Material: Metal

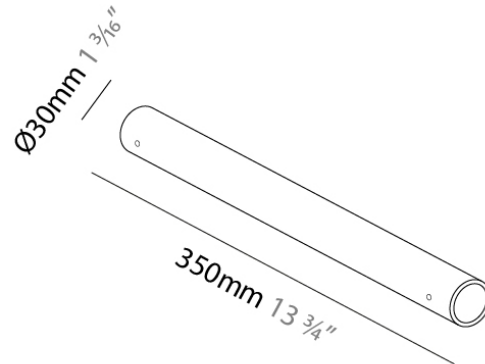
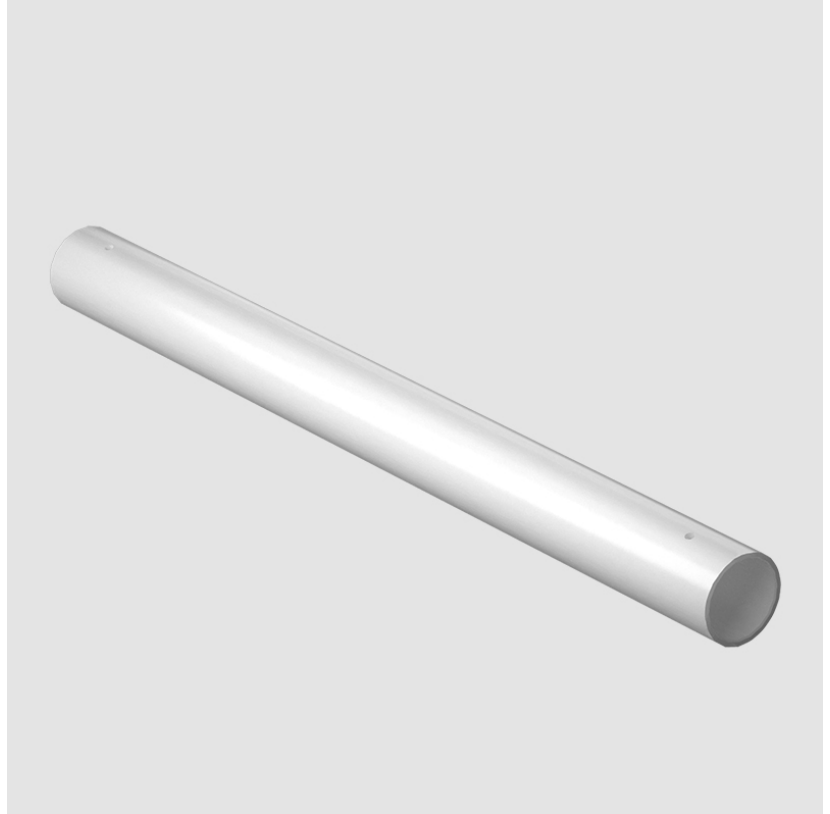
ELECTRICAL

Driver Included: No

RATINGS AND CERTIFICATIONS

Certified By: Certified for North American Standards

IP rating: IP20



D10SP-MOD-SYS COMPONENTS

D109018-

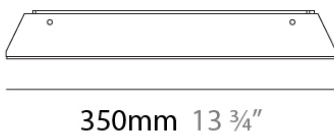
DESCRIPTION
 Sparks System - LED Driver - 24Vdc - Max. 100W - Dimmable

GENERAL
 Series: Sparks
 Brand: Quasar
 Division: Design

PHYSICAL
 Length (mm): 350
 Length (in): 13 3/4
 Width (mm): 100
 Width (in): 3 15/16
 Height (mm): 50
 Height (in): 1 15/16
 Fixture Finish: WHI / PAL
 Fixture Material: Metal

ELECTRICAL
 Lamp Type: LED
 Dimming: 0-10V Dimming / Phase Dimming (120Vac Only)
 Driver Included: Yes
 Driver Location: Integrated
 Driver Type: Constant Voltage - Universal - Phase dimming @120Vac only
 Driver Class: Class 2
 Input Voltage (V): 120 - 277
 Output Voltage (V): 24
 Upon Request: 0-10Vdc dimming / Phase dimming @120Vac only / Non-dimming @277Vac

RATINGS AND CERTIFICATIONS
 Certified By: Certified for North American Standards
 IP rating: IP20



D10SP-MOD-SYS COMPONENTS

D109019-

DESCRIPTION

Suspension Cable - 4000mm / 157 1/2" - _____

GENERAL

Series: Sparks _____

Brand: Quasar _____

Division: Design _____

PHYSICAL

Length (mm): 4000 _____

Length (in): 157 1/2 _____

Fixture Finish: WHI / PAL _____

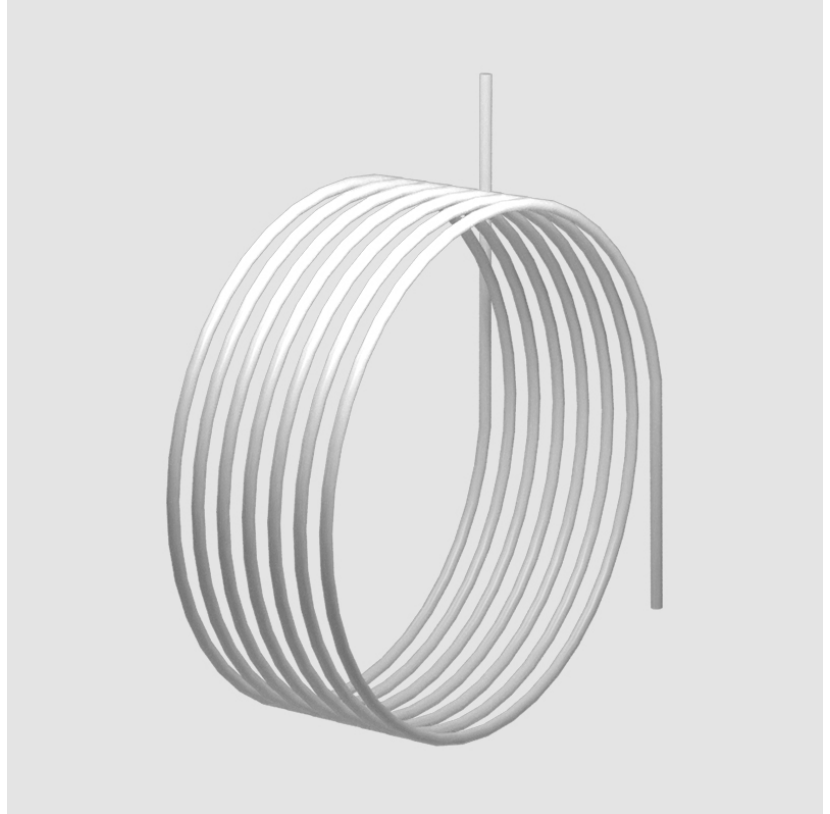
ELECTRICAL

Driver Included: No _____

RATINGS AND CERTIFICATIONS

Certified By: Certified for North American Standards _____

IP rating: IP20 _____



LEGEND

	floor-mounted		pivotal		special LED (upon request) RGB, RGBW, tunable, gold+, meat+, art+, fashion+
	wall and ceiling: recessed and surface mounted		rotating		warm dim / natural dimming LED
	ceiling-mounted and wall-mounted		illuminate tilted		rechargeable battery powered
	wall-mounted		color of suspension cable		fixture with natural vivid LED (upon request)
	omni-directional light distribution		length of suspension cable		color rendering index
	direct light distribution		reflector degree selection		color temperature
	direct/indirect light distribution		super spot		lumen (luminous flux)
	indirect light distribution		lens		efficacy (lumens per watt)
	asymmetric light distribution		lens pack		Unified Glare Rating (UGR) range from 5-40
	aura light distribution		shine ring		marine grade (AISI 316 stainless steel)
	round wall or ceiling cut-out		integrated shine ring with diffuser		walk on
	square wall or ceiling cut-out		free individual colors 01-29		drive on
	the supplied jig specifies the cutout dimensions		individual colors: 00 (free of charge), 01-25 (extra charge)		Dark Sky Compliance
	minimum distance (meters) lamp - object		luminaire part to be colored (F1)		Americans with Disabilities Act (less than 4" off the wall located between 27"-84" from floor)
	recessed depth		luminaire part to be colored (F2)		lamp protected against explosion
	ceiling thickness in mm		luminaire part to be colored (F3)		blown glass using traditional methods by master glass blower
	ceiling thickness selection		luminaire part to be colored (F4)		acoustic material
	dimnable DP (phase), DV (0-10V), DD (dali), DS (step-dim)		luminaire part to be colored (F5)		protection class I, protection insulation
	included or excluded LED driver/transformer/control gear		color of 3-circuit adaptor		protection class II, protection insulation
	separately switchable		indirect diffuser		ETL Certified to UL and CSA Standards
	sensor		direct diffuser		UL Certified to UL and CSA Standards
	remote control		ball-proof (upon request)		CSA Certified to UL and CSA Standards
	available upon request		accessory		Certified for North American Standards

IP RATING

	protected against ingress of solid bodies greater than 12.5mm (finger)
	protected against ingress of solid bodies greater than 2.5mm protected against sprays of water up to 60 degrees from the vertical (rain)
	protected against ingress of solid bodies greater than 1mm (wire) no protection against the ingress of moisture
	protected against ingress of solid bodies greater than 1mm (wire) protected against sprays of water up to 60 degrees from the vertical (rain)
	protected against ingress of solid bodies greater than 1mm (wire) protected against water splashed from all directions
	protected against limited ingress of dust (wet rooms/covered outdoor areas) protected against water splashed from all directions
	protected against ingress of dust protected against jets of water
	protected against ingress of dust protected against powerful jets of water or heavy seas
	protected against ingress of dust protected against immersion of water between 15cm - 1m for 30 minutes
	protected against ingress of dust protected against immersion of water under pressure for long periods

IK RATING

	protected against 0.14 joules impact (equivalent to 0.25kg mass dropped from 56mm above the surface)
	protected against 0.2 joules impact (equivalent to 0.25kg mass dropped from 80mm above the surface)
	protected against 0.35 joules impact (equivalent to 0.25kg mass dropped from 140mm above the surface)
	protected against 0.5 joules impact (equivalent to 0.25kg mass dropped from 200mm above the surface)
	protected against 0.7 joules impact (equivalent to 0.25kg mass dropped from 280mm above the surface)
	protected against 1 joules impact (equivalent to 0.25kg mass dropped from 400mm above the surface)
	protected against 2 joules impact (equivalent to 0.5kg mass dropped from 400mm above the surface)
	protected against 5 joules impact (equivalent to 1.7kg mass dropped from 300mm above the surface)
	protected against 10 joules impact (equivalent to 5.0kg mass dropped from 200mm above the surface)
	protected against 20 joules impact (equivalent to 5.0kg mass dropped from 400mm above the surface)