

D14CLOS-MOD-SYS COMPONENTS SUSPENSION

D141306-

DESCRIPTION

Clos Module Suspension, 180mm/7 1/16" x 280mm/11", 1 x E12 Retrofit LED, Max 9W, without Canopy

GENERAL

Series: Clos _____
 Subseries: Clos Modular System _____
 Partner: Cangini & Tucci _____
 Division: Design _____
 Installation: Suspension _____
 Product Type: Pendant _____
 Mounting Location: Ceiling _____

PHYSICAL

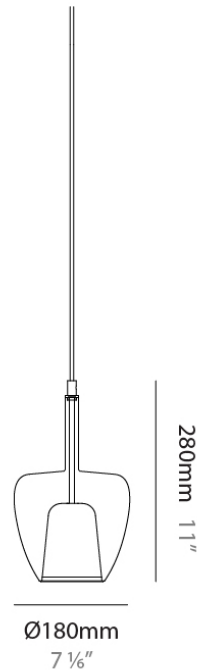
Shape: Round _____
 Diameter (mm): 180 _____
 Diameter (in): 7 1/16 _____
 Height (mm): 280 _____
 Height (in): 11 _____
 Max. Overall Height (mm): 1780 _____
 Max. Overall Height (in): 70 1/16 _____
 Weight (kg): 0.84 _____
 Weight (lbs): 1.85 _____
 Fixture Finish: AMB / BLK / BRZ / GLD / GRN / PNK / RGD / RUB / SKB / SMK / STE / TOB / TRA _____
 Holder Finish: BCN / CHR / FGD _____
 Fixture Material: Glass / Metal _____
 Primary Material: Glass - Borosilicate _____
 Cable Details: 1500mm/59 1/16" cable _____

ELECTRICAL

Number of Lamps: 1 _____
 Lamp Type: LED Retrofit _____
 Input Wattage (W): 60 _____
 Bulb Included: Bulb Not Included _____
 Lamp Base: E12 _____
 Input Voltage (V): 120 _____

RATINGS AND CERTIFICATIONS

Certified By: Certified for North American Standards _____
 IP rating: IP20 _____



D14CLOS-MOD-SYS COMPONENTS SUSPENSION

D141307-

DESCRIPTION

Clos Module Suspension, 240mm/9 7/16" x 380mm/14 15/16", 1 x E26 Retrofit LED, Max 14.5W, without Canopy

GENERAL

Series: Clos
 Subseries: Clos Modular System
 Partner: Cangini & Tucci
 Division: Design
 Installation: Suspension
 Product Type: Pendant
 Mounting Location: Ceiling

PHYSICAL

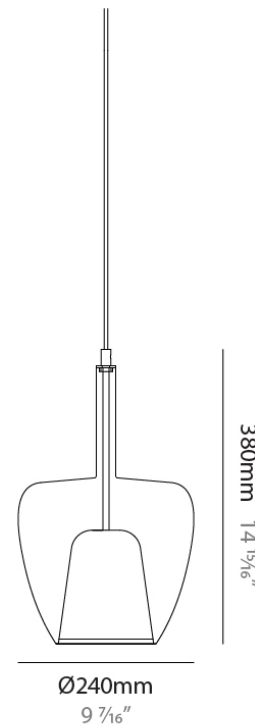
Shape: Round
 Diameter (mm): 240
 Diameter (in): 9 7/16
 Height (mm): 380
 Height (in): 14 15/16
 Max. Overall Height (mm): 1880
 Max. Overall Height (in): 74
 Weight (kg): 1.32
 Weight (lbs): 2.911
 Fixture Finish: AMB / BLK / BRZ / GLD / GRN / PNK / RGD / RUB / SKB / SMK / STE / TOB / TRA
 Holder Finish: BCN / CHR / FGD
 Fixture Material: Glass / Metal
 Primary Material: Glass - Borosilicate
 Cable Details: 1500mm/59 1/16" cable

ELECTRICAL

Number of Lamps: 1
 Lamp Type: LED Retrofit
 Input Wattage (W): 105
 Bulb Included: Bulb Not Included
 Lamp Base: E26
 Input Voltage (V): 120

RATINGS AND CERTIFICATIONS

Certified By: Certified for North American Standards
 IP rating: IP20



D14CLOS-MOD-SYS COMPONENTS SUSPENSION

D141308-

DESCRIPTION

Clos Module Suspension, 290mm/11 7/16" x 480mm/18 7/8", 1 x E26 Retrofit LED, Max 14.5W, without Canopy

GENERAL

Series: Clos
 Subseries: Clos Modular System
 Partner: Cangini & Tucci
 Division: Design
 Installation: Suspension
 Product Type: Pendant
 Mounting Location: Ceiling

PHYSICAL

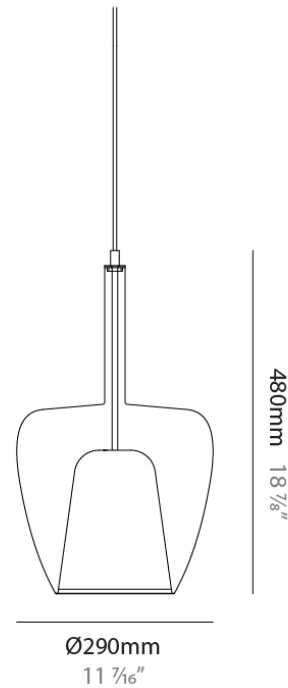
Shape: Round
 Diameter (mm): 290
 Diameter (in): 11 7/16
 Height (mm): 480
 Height (in): 18 7/8
 Max. Overall Height (mm): 1980
 Max. Overall Height (in): 77 15/16
 Weight (kg): 1.94
 Weight (lbs): 4.28
 Fixture Finish: AMB / BLK / BRZ / GLD / GRN / PNK / RGD / RUB / SKB / SMK / STE / TOB / TRA
 Holder Finish: BCN / CHR / FGD
 Fixture Material: Glass / Metal
 Primary Material: Glass - Borosilicate
 Cable Details: 1500mm/59 1/16" cable

ELECTRICAL

Number of Lamps: 1
 Lamp Type: LED Retrofit
 Input Wattage (W): 105
 Bulb Included: Bulb Not Included
 Lamp Base: E26
 Input Voltage (V): 120

RATINGS AND CERTIFICATIONS

Certified By: Certified for North American Standards
 IP rating: IP20



D14CLOS-MOD-SYS COMPONENTS SUSPENSION

D141309-

DESCRIPTION

Clos Module Suspension, 430mm/16 15/16" x 700mm/27 9/16",
1 x E26 Retrofit LED, Max 14.5W, without Canopy

GENERAL

Series: Clos
Subseries: Clos Modular System
Partner: Cangini & Tucci
Division: Design
Installation: Suspension
Product Type: Pendant
Mounting Location: Ceiling

PHYSICAL

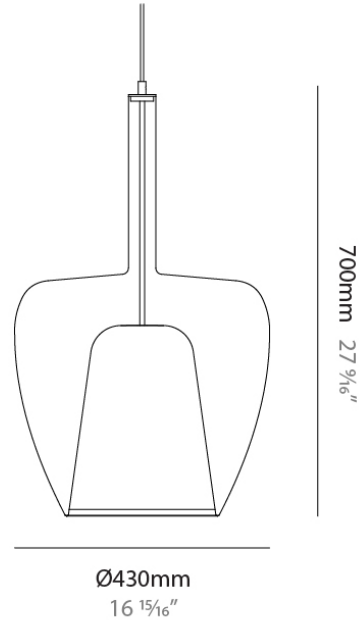
Shape: Round
Diameter (mm): 430
Diameter (in): 16 15/16
Height (mm): 700
Height (in): 27 9/16
Max. Overall Height (mm): 2200
Max. Overall Height (in): 8 5/8
Weight (kg): 4.8
Weight (lbs): 10.58
Fixture Finish: AMB / BLK / BRZ / GLD / GRN / PNK / RGD / RUB / SKB / SMK / STE / TOB / TRA
Holder Finish: BCN / CHR / FGD
Fixture Material: Glass / Metal
Primary Material: Glass - Borosilicate
Cable Details: 1500mm/59 1/16" cable

ELECTRICAL

Number of Lamps: 1
Lamp Type: LED Retrofit
Input Wattage (W): 105
Bulb Included: Bulb Not Included
Lamp Base: E26
Input Voltage (V): 120

RATINGS AND CERTIFICATIONS

Certified By: Certified for North American Standards
IP rating: IP20



D14CLOS-MOD-SYS COMPONENTS

D149000-

DESCRIPTION

Standard Single 120mm - Round Canopy

GENERAL

Partner: Cangini & Tucci

Division: Design

PHYSICAL

Shape: Round

Diameter (mm): 120

Diameter (in): 4 ³/₄

Height (mm): 30

Height (in): 1 ³/₁₆

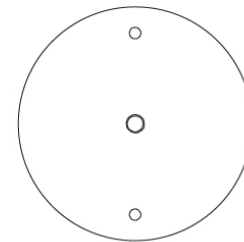
Fixture Finish: CHR / BCR / MBK / MWH

Fixture Material: Metal

RATINGS AND CERTIFICATIONS

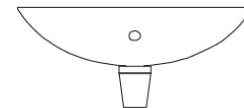
Certified By: Certified for North American Standards

IP rating: IP20



Ø120mm 4 ³/₄"

1 ³/₁₆"
30mm



D14CLOS-MOD-SYS COMPONENTS

D149001-

DESCRIPTION

Single 120mm - Round Canopy

GENERAL

Partner: Cangini & Tucci

Division: Design

PHYSICAL

Shape: Round

Diameter (mm): 120

Diameter (in): 4 ¾

Height (mm): 30

Height (in): 1 ⅜

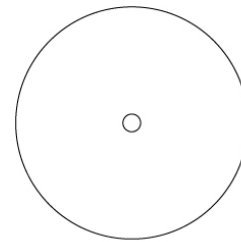
Fixture Finish: CHR / BCR / MBK / MWH

Fixture Material: Metal

RATINGS AND CERTIFICATIONS

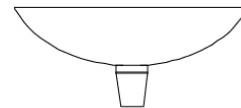
Certified By: Certified for North American Standards

IP rating: IP20



Ø120mm 4 ¾"

1 ⅜"
30mm



D14CLOS-MOD-SYS COMPONENTS

D149004-

DESCRIPTION

Recessed Round 45mm Canopy

GENERAL

Partner: Cangini & Tucci

Division: Design

PHYSICAL

Shape: Round

Diameter (mm): 45

Diameter (in): 1 3/4

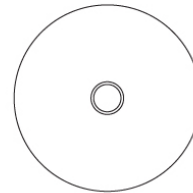
Fixture Finish: CHR / BCR / MBK / MWH

Fixture Material: Metal

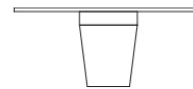
RATINGS AND CERTIFICATIONS

Certified By: Certified for North American Standards

IP rating: IP20



Ø45mm 1 3/4"



D14CLOS-MOD-SYS COMPONENTS

D149006-

DESCRIPTION

Round Canopy - 95mm - 3 Holes

GENERAL

Partner: Cangini & Tucci

Division: Design

PHYSICAL

Shape: Round

Diameter (mm): 120

Diameter (in): 4 ¾

Height (mm): 25

Height (in): 1

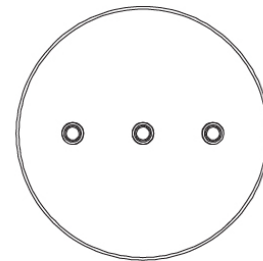
Fixture Finish: CHR / BCR / MBK / MWH

Fixture Material: Metal

RATINGS AND CERTIFICATIONS

Certified By: Certified for North American Standards

IP rating: IP20



Ø120mm 4 ¾"

1"
25mm



D14CLOS-MOD-SYS COMPONENTS

D149007-

DESCRIPTION

Round Canopy - 120mm - 5 Holes

GENERAL

Partner: Cangini & Tucci

Division: Design

PHYSICAL

Shape: Round

Diameter (mm): 120

Diameter (in): 4 ¾

Height (mm): 25

Height (in): 1

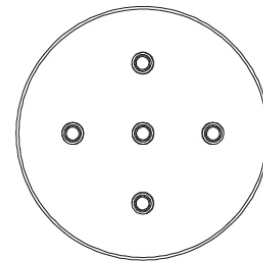
Fixture Finish: CHR / BCR / MBK / MWH

Fixture Material: Metal

RATINGS AND CERTIFICATIONS

Certified By: Certified for North American Standards

IP rating: IP20



Ø120mm 4 ¾"

1"
25mm



D14CLOS-MOD-SYS COMPONENTS

PROJECT	_____
TYPE	_____
NOTES	_____
QUANTITY	_____
DATE	_____

D149008-

DESCRIPTION

Single 120mm - Round Cone Canopy - 2 External Holes + 1 Central Hole

GENERAL

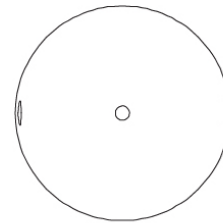
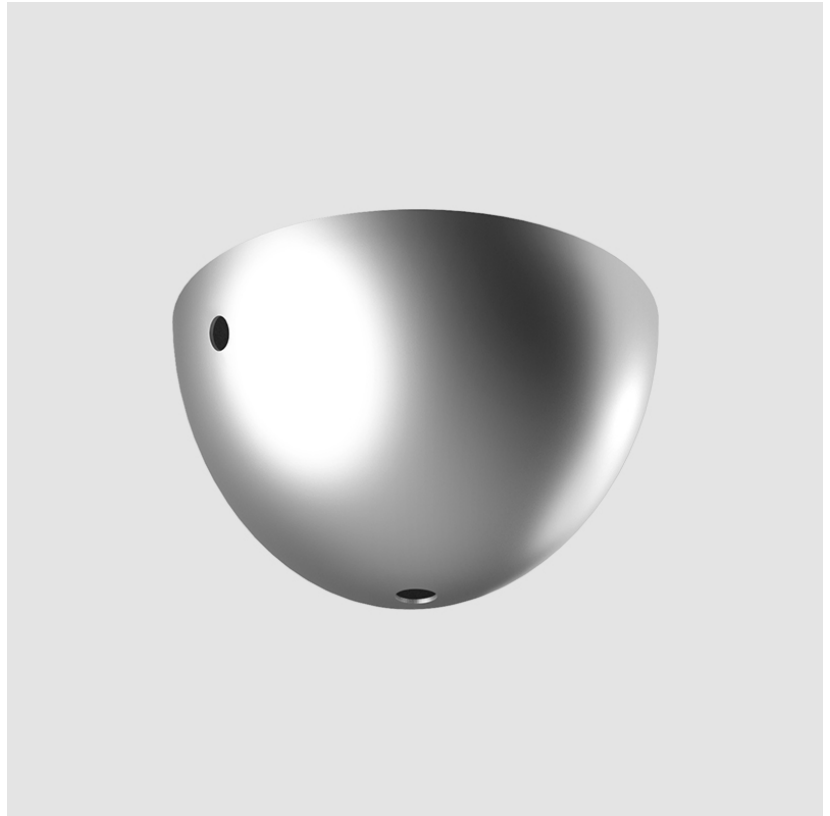
Partner: Cangini & Tucci
Division: Design

PHYSICAL

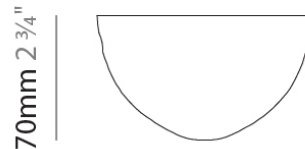
Shape: Round
Diameter (mm): 120
Diameter (in): 4 3/4
Height (mm): 70
Height (in): 2 3/4
Fixture Finish: CHR / BCR / MBK / MWH
Fixture Material: Metal

RATINGS AND CERTIFICATIONS

Certified By: Certified for North American Standards
IP rating: IP20



Ø120mm 4 3/4"



D14CLOS-MOD-SYS COMPONENTS

D149009-

DESCRIPTION

Single 120mm - Round Cone Canopy - 4 External Holes + 1 Central Hole

GENERAL

Partner: Cangini & Tucci

Division: Design

PHYSICAL

Shape: Round

Diameter (mm): 120

Diameter (in): 4 ³/₄

Height (mm): 90

Height (in): 3 ⁹/₁₆

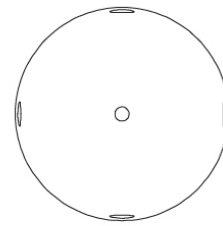
Fixture Finish: CHR / BCR / MBK / MWH

Fixture Material: Metal

RATINGS AND CERTIFICATIONS

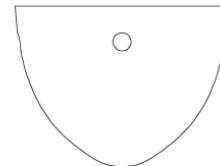
Certified By: Certified for North American Standards

IP rating: IP20



Ø120mm 4 ³/₄"

90mm 3 ⁹/₁₆"



PROJECT	
TYPE	
NOTES	
QUANTITY	
DATE	

D14CLOS-MOD-SYS COMPONENTS

D149011-

DESCRIPTION

Flute - Cable Spacer

GENERAL

Series: Flute

Partner: Cangini & Tucci

Division: Design

PHYSICAL

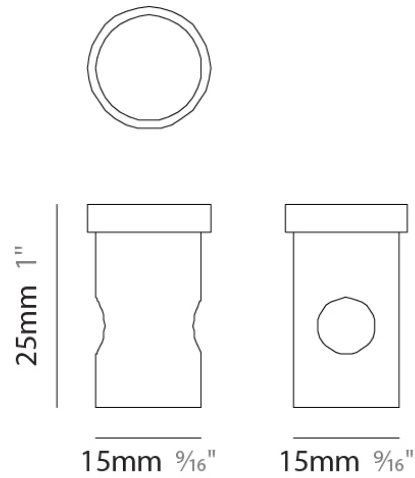
Fixture Finish: CHR / BCR / MBK / MWH

Fixture Material: Metal

RATINGS AND CERTIFICATIONS

Certified By: Certified for North American Standards

IP rating: IP20



D14CLOS-MOD-SYS COMPONENTS

PROJECT	_____
TYPE	_____
NOTES	_____
QUANTITY	_____
DATE	_____

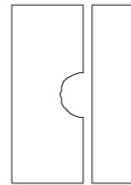
D149012-

DESCRIPTION
Accessory - Wall Stud Cable Spacer

GENERAL
Series: Flute
Partner: Cangini & Tucci
Division: Design

PHYSICAL
Fixture Finish: CHR / BCR / MBK / MWH
Fixture Material: Metal

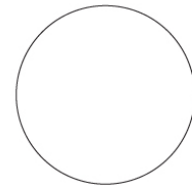
RATINGS AND CERTIFICATIONS
Certified By: Certified for North American Standards
IP rating: IP20



20mm $\frac{13}{16}$ "



10mm $\frac{3}{8}$ "



20mm $\frac{13}{16}$ "



PROJECT	
TYPE	
NOTES	
QUANTITY	
DATE	

D14CLOS-MOD-SYS COMPONENTS

D149013-

DESCRIPTION

Accessory - Ceiling Cable Spacer

GENERAL

Series: Flute

Partner: Cangini & Tucci

Division: Design

PHYSICAL

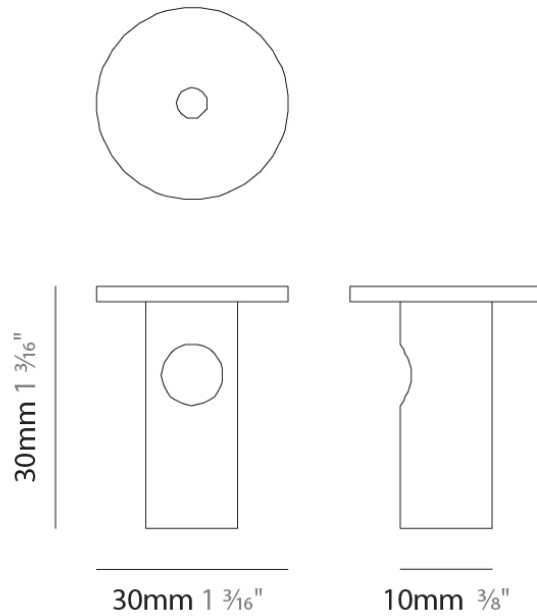
Fixture Finish: CHR / BCR / MBK / MWH

Fixture Material: Metal

RATINGS AND CERTIFICATIONS

Certified By: Certified for North American Standards

IP rating: IP20



D14CLOS-MOD-SYS COMPONENTS

D149014-

DESCRIPTION

Round Canopy - 270mm - for 3 - 5 - 6 lights

GENERAL

Partner: Cangini & Tucci

Division: Design

PHYSICAL

Shape: Round

Diameter (mm): 270

Diameter (in): 10 ⁵/₈"

Height (mm): 30

Height (in): 1 ³/₁₆"

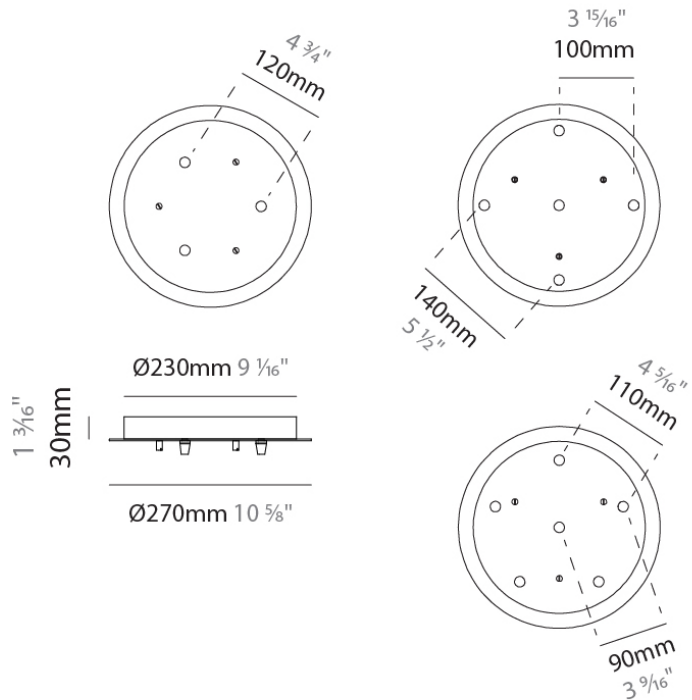
Fixture Finish: CHR / BCR / MBK / MWH

Fixture Material: Metal

RATINGS AND CERTIFICATIONS

Certified By: Certified for North American Standards

IP rating: IP20



PROJECT	
TYPE	
NOTES	
QUANTITY	
DATE	

D14CLOS-MOD-SYS COMPONENTS

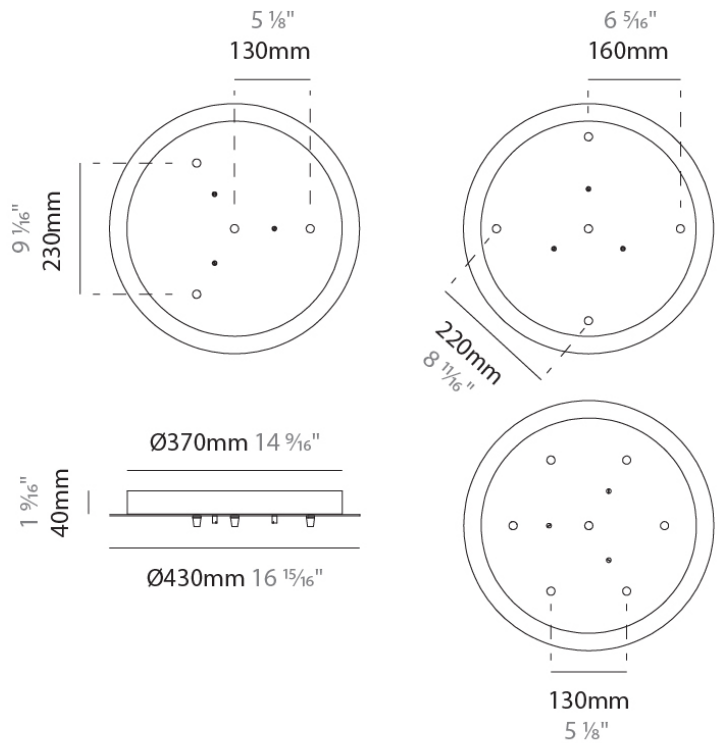
D149015-

DESCRIPTION
 Round Canopy - 430mm - for 3 - 5 - 6 - 7 - 8 - 9 - 10 -11 lights

GENERAL
 Partner: Cangini & Tucci
 Division: Design

PHYSICAL
 Shape: Round
 Diameter (mm): 430
 Diameter (in): 16 ¹⁵/₁₆
 Height (mm): 40
 Height (in): 1 ⁹/₁₆
 Fixture Finish: CHR / BCR / MBK / MWH
 Fixture Material: Metal

RATINGS AND CERTIFICATIONS
 Certified By: Certified for North American Standards
 IP rating: IP20



PROJECT	
TYPE	
NOTES	
QUANTITY	
DATE	

D14CLOS-MOD-SYS COMPONENTS

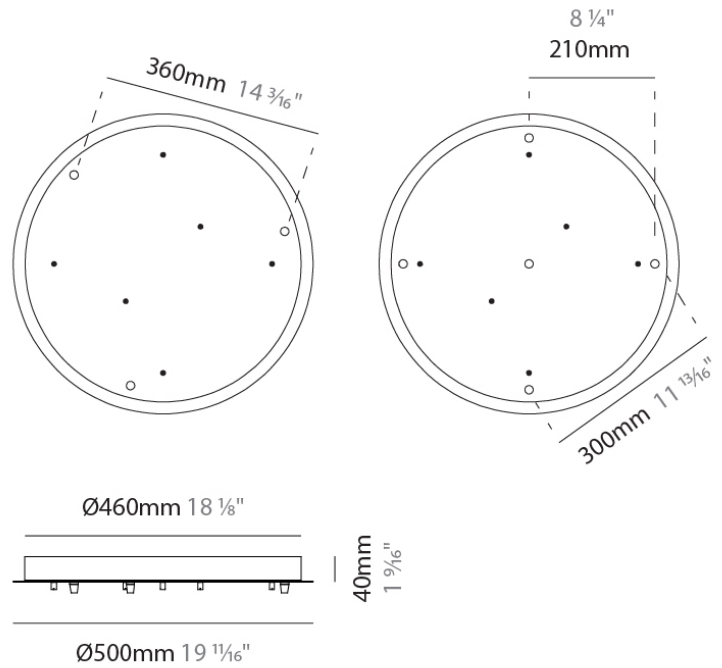
D149016-

DESCRIPTION
 Round Canopy - 500mm - for 3 - 4 - 5 lights

GENERAL
 Partner: Cangini & Tucci
 Division: Design

PHYSICAL
 Shape: Round
 Diameter (mm): 500
 Diameter (in): 19 11/16"
 Height (mm): 40
 Height (in): 1 9/16"
 Fixture Finish: CHR / BCR / MBK / MWH
 Fixture Material: Metal

RATINGS AND CERTIFICATIONS
 Certified By: Certified for North American Standards
 IP rating: IP20



PROJECT	
TYPE	
NOTES	
QUANTITY	
DATE	

D14CLOS-MOD-SYS COMPONENTS

D149017-

DESCRIPTION

Square Canopy - 300mm - for 5 lights

GENERAL

Partner: Cangini & Tucci

Division: Design

PHYSICAL

Shape: Square

Length (mm): 300

Length (in): 11 ¹³/₁₆"

Width (mm): 300

Width (in): 11 ¹³/₁₆"

Height (mm): 30

Height (in): 1 ³/₁₆"

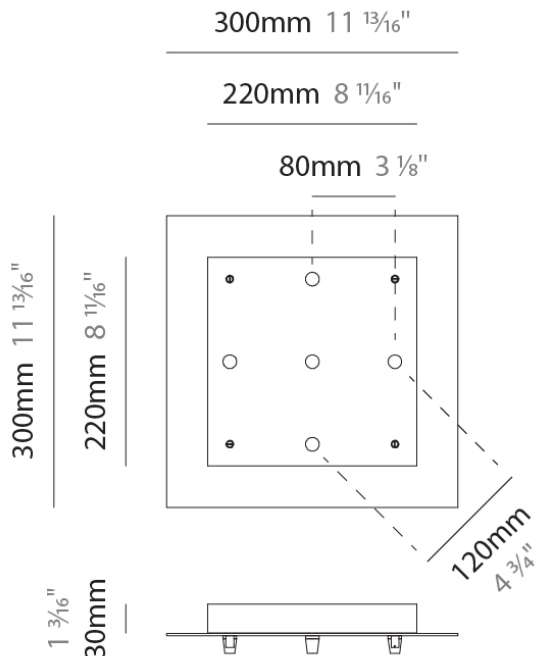
Fixture Finish: CHR / BCR / MBK / MWH

Fixture Material: Metal

RATINGS AND CERTIFICATIONS

Certified By: Certified for North American Standards

IP rating: IP20



D14CLOS-MOD-SYS COMPONENTS

PROJECT	
TYPE	
NOTES	
QUANTITY	
DATE	

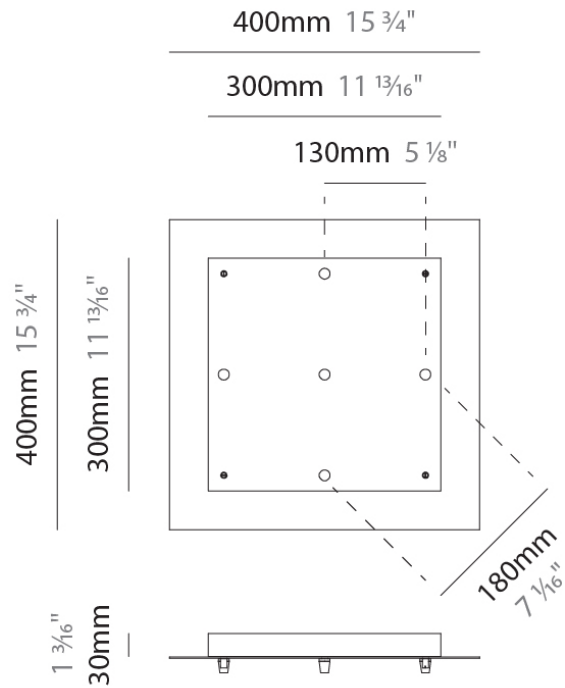
D149018-

DESCRIPTION
 Square Canopy - 400mm - for 5 lights

GENERAL
 Partner: Cangini & Tucci
 Division: Design

PHYSICAL
 Shape: Square
 Length (mm): 400
 Length (in): 15 3/4
 Width (mm): 400
 Width (in): 15 3/4
 Height (mm): 30
 Height (in): 1 3/16
 Fixture Finish: CHR / BCR / MBK / MWH
 Fixture Material: Metal

RATINGS AND CERTIFICATIONS
 Certified By: Certified for North American Standards
 IP rating: IP20



D14CLOS-MOD-SYS COMPONENTS

PROJECT	
TYPE	
NOTES	
QUANTITY	
DATE	

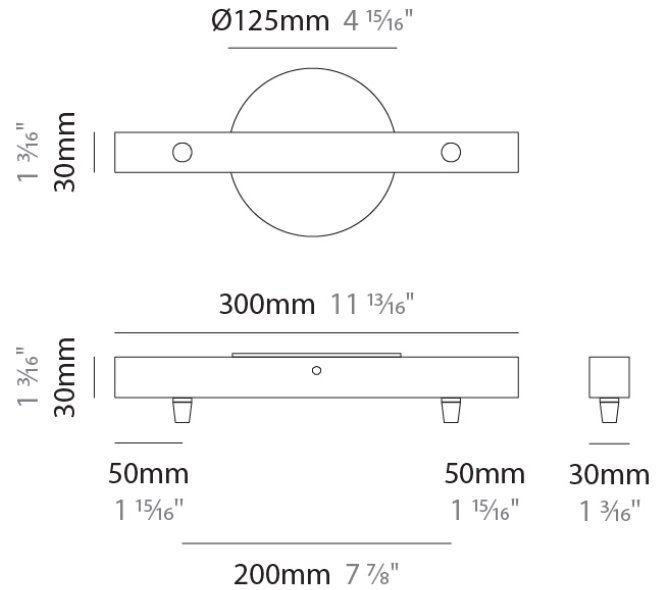
D149019-

DESCRIPTION
Slim Linear Canopy - 300mm - 2 lights

GENERAL
Partner: Cangini & Tucci
Division: Design

PHYSICAL
Shape: Rectangle
Length (mm): 300
Length (in): 11 ¹³/₁₆"
Width (mm): 30
Width (in): 1 ³/₁₆"
Height (mm): 30
Height (in): 1 ³/₁₆"
Fixture Finish: CHR / BCR / MBK / MWH
Fixture Material: Metal

RATINGS AND CERTIFICATIONS
Certified By: Certified for North American Standards
IP rating: IP20



PROJECT	
TYPE	
NOTES	
QUANTITY	
DATE	

D14CLOS-MOD-SYS COMPONENTS

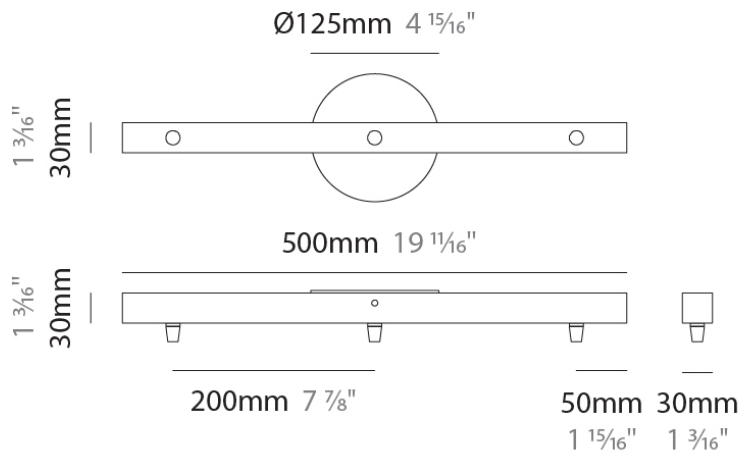
D149020-

DESCRIPTION
Slim Linear Canopy - 500mm - 3 lights

GENERAL
Partner: Cangini & Tucci
Division: Design

PHYSICAL
Shape: Rectangle
Length (mm): 500
Length (in): 19 11/16
Width (mm): 30
Width (in): 1 3/16
Height (mm): 30
Height (in): 1 3/16
Fixture Finish: CHR / BCR / MBK / MWH
Fixture Material: Metal

RATINGS AND CERTIFICATIONS
Certified By: Certified for North American Standards
IP rating: IP20



D14CLOS-MOD-SYS COMPONENTS

LEGEND

 floor-mounted	 pivotable	 special LED (upon request) RGB, RGBW, tunable, gold+, meat+, art+, fashion+
 wall and ceiling: recessed and surface mounted	 rotating	 warm dim / natural dimming LED
 ceiling-mounted and wall-mounted	 illuminate tilted	 rechargeable battery powered
 wall-mounted	 color of suspension cable	 fixture with natural vivid LED (upon request)
 omni-directional light distribution	 length of suspension cable	 color rendering index
 direct light distribution	 reflector degree selection	 color temperature
 direct/indirect light distribution	 super spot	 lumen (luminous flux)
 indirect light distribution	 lens	 efficacy (lumens per watt)
 asymmetric light distribution	 lens pack	 Unified Glare Rating (UGR) range from 5-40
 aura light distribution	 shine ring	 marine grade (AISI 316 stainless steel)
 round wall or ceiling cut-out	 integrated shine ring with diffuser	 walk on
 square wall or ceiling cut-out	 free individual colors 01-29	 drive on
 the supplied jig specifies the cutout dimensions	 individual colors: 00 (free of charge), 01-25 (extra charge)	 Dark Sky Compliance
 minimum distance (meters) lamp - object	 luminaire part to be colored (F1)	 Americans with Disabilities Act (less than 4" off the wall located between 27"-84" from floor)
 recessed depth	 luminaire part to be colored (F2)	 lamp protected against explosion
 ceiling thickness in mm	 luminaire part to be colored (F3)	 blown glass using traditional methods by master glass blower
 ceiling thickness selection	 luminaire part to be colored (F4)	 acoustic material
 dimmable DP (phase), DV (0-10V), DD (dali), DS (step-dim)	 luminaire part to be colored (F5)	 protection class I, protection insulation
 included or excluded LED driver/transformer/control gear	 color of 3-circuit adaptor	 protection class II, protection insulation
 separately switchable	 indirect diffuser	 ETL Certified to UL and CSA Standards
 sensor	 direct diffuser	 UL Certified to UL and CSA Standards
 remote control	 ball-proof (upon request)	 CSA Certified to UL and CSA Standards
 available upon request	 accessory	 Certified for North American Standards

IP RATING

 IP20	protected against ingress of solid bodies greater than 12.5mm (finger)
 IP33	protected against ingress of solid bodies greater than 2.5mm protected against sprays of water up to 60 degrees from the vertical (rain)
 IP40	protected against ingress of solid bodies greater than 1mm (wire) no protection against the ingress of moisture
 IP43	protected against ingress of solid bodies greater than 1mm (wire) protected against sprays of water up to 60 degrees from the vertical (rain)
 IP44	protected against ingress of solid bodies greater than 1mm (wire) protected against water splashed from all directions
 IP54	protected against limited ingress of dust (wet rooms/covered outdoor areas) protected against water splashed from all directions
 IP65	protected against ingress of dust protected against jets of water
 IP66	protected against ingress of dust protected against powerful jets of water or heavy seas
 IP67	protected against ingress of dust protected against immersion of water between 15cm - 1m for 30 minutes
 IP68	protected against ingress of dust protected against immersion of water under pressure for long periods

IK RATING

 IK01	protected against 0.14 joules impact (equivalent to 0.25kg mass dropped from 56mm above the surface)
 IK02	protected against 0.2 joules impact (equivalent to 0.25kg mass dropped from 80mm above the surface)
 IK03	protected against 0.35 joules impact (equivalent to 0.25kg mass dropped from 140mm above the surface)
 IK04	protected against 0.5 joules impact (equivalent to 0.25kg mass dropped from 200mm above the surface)
 IK05	protected against 0.7 joules impact (equivalent to 0.25kg mass dropped from 280mm above the surface)
 IK06	protected against 1 joules impact (equivalent to 0.25kg mass dropped from 400mm above the surface)
 IK07	protected against 2 joules impact (equivalent to 0.5kg mass dropped from 400mm above the surface)
 IK08	protected against 5 joules impact (equivalent to 1.7kg mass dropped from 300mm above the surface)
 IK09	protected against 10 joules impact (equivalent to 5.0kg mass dropped from 200mm above the surface)
 IK10	protected against 20 joules impact (equivalent to 5.0kg mass dropped from 400mm above the surface)