

PROJECT	
TYPE	
NOTES	
QUANTITY	
DATE	

D14FIJI-MOD-SYS COMPONENTS SUSPENSION

D141162-

DESCRIPTION

Fiji - Suspension - without Canopy - Ø280mm - 14.2W LED - 2700K / 3000K - 1615lm - CRI95

GENERAL

Series: Fiji
 Subseries: Fiji Modular System
 Brand: Cangini & Tucci
 Division: Design
 Mounting Type: Suspension
 Mounting Location: Ceiling
 Subcategory: Pendant

PHYSICAL

Shape: Dome
 Diameter (mm): 280
 Diameter (in): 11
 Height (mm): 120
 Height (in): 4 3/4
 Max. Overall Height (mm): 1620
 Max. Overall Height (in): 63 3/4
 Light Distribution: Omnidirectional
 Weight (kg): 1.24
 Weight (lbs): 2.73
 Diffuser: Glass - Opal
 Fixture Finish: TRA / MBK / RGD / STE / HON
 Holder Finish: CHR / BLK
 Fixture Material: Glass / Metal
 Cable Details: 1500mm cable

ELECTRICAL

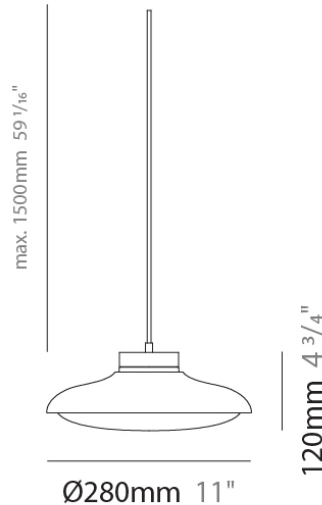
Input Wattage Range: 10 - 19 W
 Lamp Type: LED
 Input Wattage (W): 14.2
 Total Output Wattage (W): 11.7
 Dimming: Tri-Mode (Non-Dimming and Phase Dimming (120Vac only) and 0-10V Dimming)
 Driver Included: No
 Driver Location: Remote
 Driver Type: Constant Current - Universal
 Driver Class: Class 2
 Input Voltage (V): 120 - 277
 Constant Current (MA): 350

LED

Delivered Lumen Range: 1000 - 1999 lm
 Color Temperature (°K): 2700 / 3000
 Max. Delivered Lumen (lm): 1615
 CRI: >95 CRI

RATINGS AND CERTIFICATIONS

Certified By: Certified for North American Standards
 IP rating: IP20



PROJECT	
TYPE	
NOTES	
QUANTITY	
DATE	

D14FIJI-MOD-SYS COMPONENTS SUSPENSION

D141163-

DESCRIPTION

Fiji - Suspension - without Canopy - Ø360mm - 14.2W LED - 2700K / 3000K - 1615lm - CRI95

GENERAL

Series: Fiji
 Subseries: Fiji Modular System
 Brand: Cangini & Tucci
 Division: Design
 Mounting Type: Suspension
 Mounting Location: Ceiling
 Subcategory: Pendant

PHYSICAL

Shape: Dome
 Diameter (mm): 360
 Diameter (in): 14 ³/₁₆
 Height (mm): 150
 Height (in): 5 ⁷/₈
 Max. Overall Height (mm): 1650
 Max. Overall Height (in): 64 ¹⁵/₁₆
 Light Distribution: Omnidirectional
 Weight (kg): 1.77
 Weight (lbs): 3.90
 Diffuser: Glass - Opal
 Fixture Finish: TRA / MBK / RGD / STE / HON
 Holder Finish: CHR / BLK
 Fixture Material: Glass / Metal
 Cable Details: 1500mm cable

ELECTRICAL

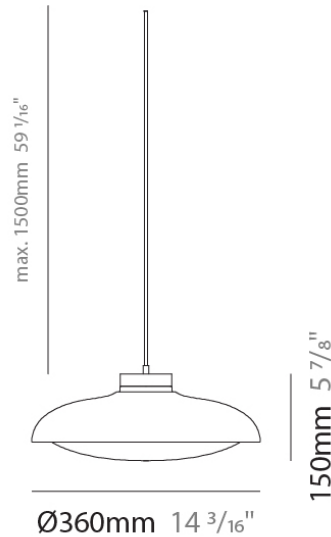
Input Wattage Range: 10 - 19 W
 Lamp Type: LED
 Input Wattage (W): 14.2
 Total Output Wattage (W): 11.7
 Dimming: Tri-Mode (Non-Dimming and Phase Dimming (120Vac only) and 0-10V Dimming)
 Driver Included: No
 Driver Location: Remote
 Driver Type: Constant Current - Universal
 Driver Class: Class 2
 Input Voltage (V): 120 - 277
 Constant Current (mA): 350

LED

Delivered Lumen Range: 1000 - 1999 lm
 Color Temperature (°K): 2700 / 3000
 Max. Delivered Lumen (lm): 1615
 CRI: >95 CRI

RATINGS AND CERTIFICATIONS

Certified By: Certified for North American Standards
 IP rating: IP20



PROJECT	
TYPE	
NOTES	
QUANTITY	
DATE	

D14FIJI-MOD-SYS COMPONENTS SUSPENSION

D141164-

DESCRIPTION
 Fiji - Suspension - without Canopy - Ø460mm - 14.2W LED - 2700K / 3000K - 1615lm - CRI95

GENERAL

Series: Fiji
 Subseries: Fiji Modular System
 Brand: Cangini & Tucci
 Division: Design
 Mounting Type: Suspension
 Mounting Location: Ceiling
 Subcategory: Pendant

PHYSICAL

Shape: Dome
 Diameter (mm): 460
 Diameter (in): 18 1/8
 Height (mm): 160
 Height (in): 6 5/16
 Max. Overall Height (mm): 1660
 Max. Overall Height (in): 65 3/8
 Light Distribution: Omnidirectional
 Weight (kg): 3.82
 Weight (lbs): 8.42
 Diffuser: Glass - Opal
 Fixture Finish: TRA / MBK / RGD / STE / HON
 Holder Finish: CHR / BLK
 Fixture Material: Glass / Metal
 Cable Details: 1500mm cable

ELECTRICAL

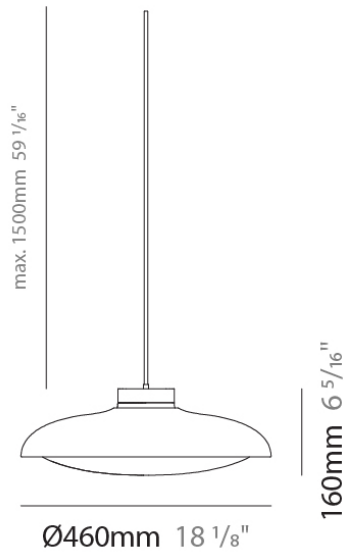
Input Wattage Range: 10 - 19 W
 Lamp Type: LED
 Input Wattage (W): 14.2
 Total Output Wattage (W): 11.7
 Dimming: Tri-Mode (Non-Dimming and Phase Dimming (120Vac only) and 0-10V Dimming)
 Driver Included: No
 Driver Location: Remote
 Driver Type: Constant Current - Universal
 Driver Class: Class 2
 Input Voltage (V): 120 - 277
 Constant Current (mA): 350

LED

Delivered Lumen Range: 1000 - 1999 lm
 Color Temperature (°K): 2700 / 3000
 Max. Delivered Lumen (lm): 1615
 CRI: >95 CRI

RATINGS AND CERTIFICATIONS

Certified By: Certified for North American Standards
 IP rating: IP20



D14FIJI-MOD-SYS COMPONENTS

D149000-

DESCRIPTION

Standard Single 120mm - Round Canopy

GENERAL

Brand: Cangini & Tucci

Division: Design

PHYSICAL

Shape: Round

Diameter (mm): 120

Diameter (in): 4 3/4

Height (mm): 30

Height (in): 1 3/16

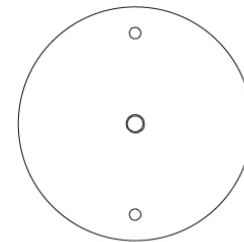
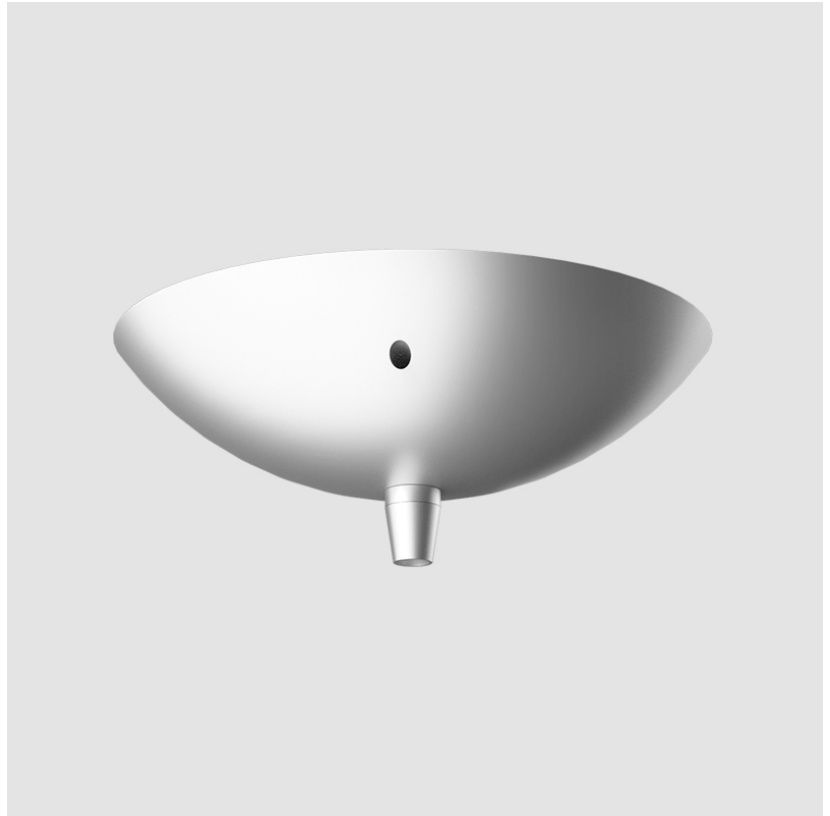
Fixture Finish: CHR / WHI / BLK / BST / SLF / GLF

Fixture Material: Metal

RATINGS AND CERTIFICATIONS

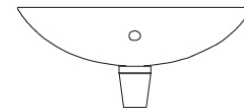
Certified By: Certified for North American Standards

IP rating: IP20



Ø120mm 4 3/4"

1 3/16"
30mm



D14FIJI-MOD-SYS COMPONENTS

D149001-

DESCRIPTION

Component - Single 120mm - Round Canopy

GENERAL

Brand: Cangini & Tucci

Division: Design

PHYSICAL

Shape: Round

Diameter (mm): 120

Diameter (in): 4 3/4

Height (mm): 30

Height (in): 1 3/16

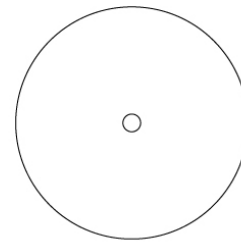
Fixture Finish: CHR / WHI / BLK / BST / SLF / GLF

Fixture Material: Metal

RATINGS AND CERTIFICATIONS

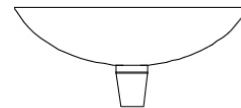
Certified By: Certified for North American Standards

IP rating: IP20



Ø120mm 4 3/4"

1 3/16"
30mm



D14FIJI-MOD-SYS COMPONENTS

D149006-

DESCRIPTION

Component - Round Canopy - 95mm - 3 Holes

GENERAL

Brand: Cangini & Tucci

Division: Design

PHYSICAL

Shape: Round

Diameter (mm): 120

Diameter (in): 4 ¾

Height (mm): 25

Height (in): 1

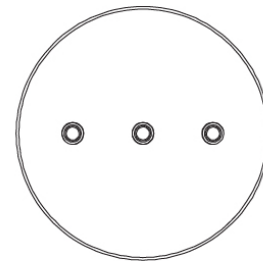
Fixture Finish: CHR / WHI / BLK / BST / SLF / GLF

Fixture Material: Metal

RATINGS AND CERTIFICATIONS

Certified By: Certified for North American Standards

IP rating: IP20



Ø120mm 4 ¾"

1"
25mm



PROJECT	_____
TYPE	_____
NOTES	_____
QUANTITY	_____
DATE	_____

D14FIJI-MOD-SYS COMPONENTS

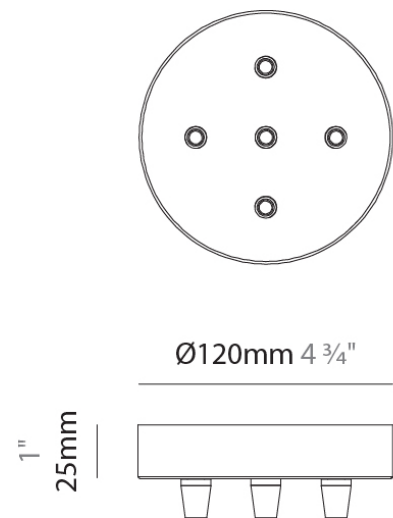
D149007-

DESCRIPTION
Component - Round Canopy - 120mm - 5 Holes

GENERAL
Brand: Cangini & Tucci
Division: Design

PHYSICAL
Shape: Round
Diameter (mm): 120
Diameter (in): 4 ¾
Height (mm): 25
Height (in): 1
Fixture Finish: CHR / WHI / BLK / BST / SLF / GLF
Fixture Material: Metal

RATINGS AND CERTIFICATIONS
Certified By: Certified for North American Standards
IP rating: IP20



PROJECT
TYPE
NOTES
QUANTITY
DATE

D14FIJI-MOD-SYS COMPONENTS

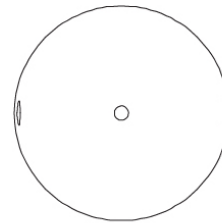
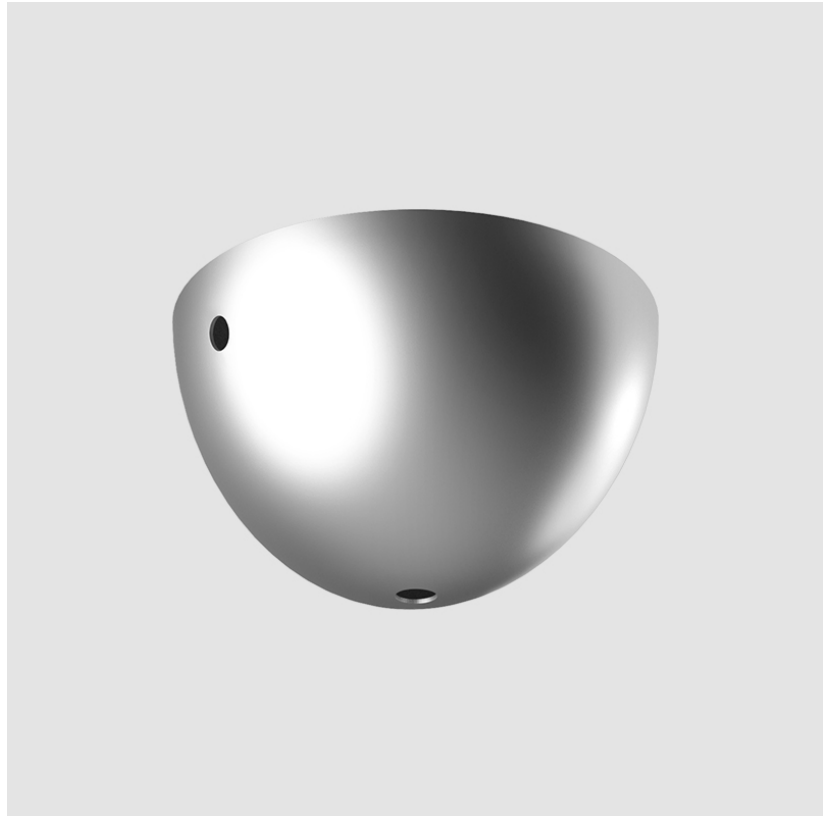
D149008-

DESCRIPTION
 Component - Single 120mm - Round Cone Canopy - 2 External Holes + 1 Central Hole

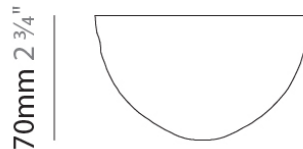
GENERAL
 Brand: Cangini & Tucci
 Division: Design

PHYSICAL
 Shape: Round
 Diameter (mm): 120
 Diameter (in): 4 ¾
 Height (mm): 70
 Height (in): 2 ¾
 Fixture Finish: CHR / WHI / BLK / BST / SLF / GLF
 Fixture Material: Metal

RATINGS AND CERTIFICATIONS
 Certified By: Certified for North American Standards
 IP rating: IP20



Ø120mm 4 ¾"



D14FIJI-MOD-SYS COMPONENTS

D149009-

DESCRIPTION

Component - Single 120mm - Round Cone Canopy - 4 External Holes + 1 Central Hole

GENERAL

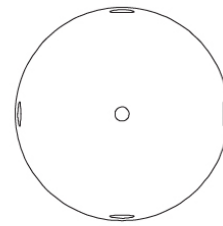
Brand: Cangini & Tucci _____
 Division: Design _____

PHYSICAL

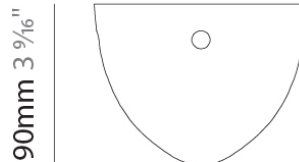
Shape: Round _____
 Diameter (mm): 120 _____
 Diameter (in): 4 ¾ _____
 Height (mm): 90 _____
 Height (in): 3 ⅞ _____
 Fixture Finish: CHR / WHI / BLK / BST / SLF / GLF _____
 Fixture Material: Metal _____

RATINGS AND CERTIFICATIONS

Certified By: Certified for North American Standards _____
 IP rating: IP20 _____



Ø120mm 4 ¾"



D14FIJI-MOD-SYS COMPONENTS

PROJECT	_____
TYPE	_____
NOTES	_____
QUANTITY	_____
DATE	_____

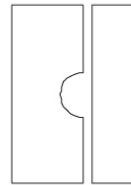
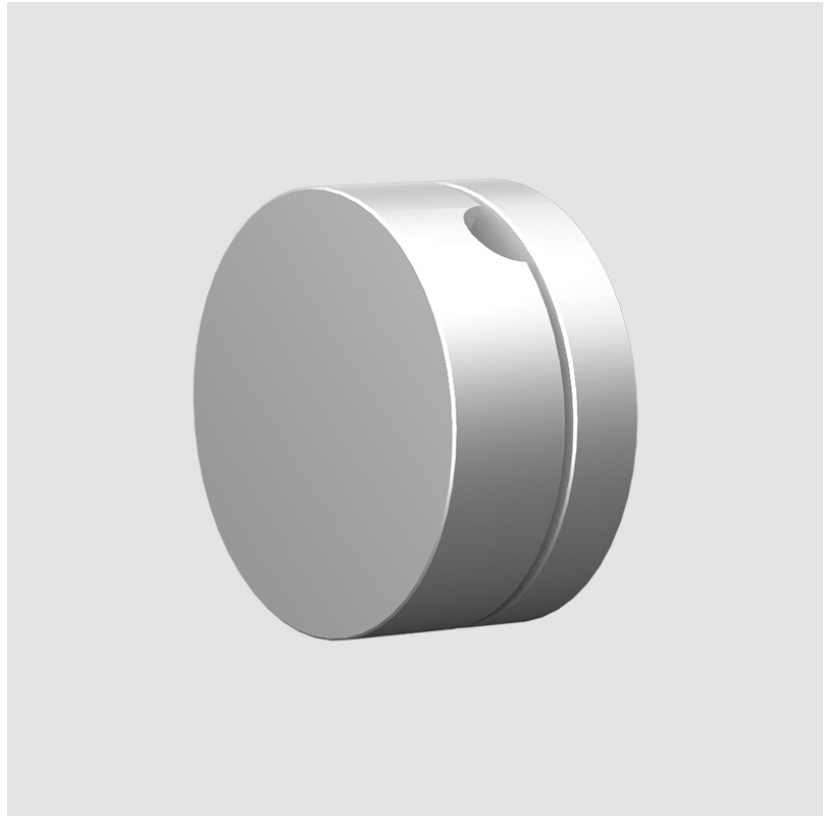
D149012-

DESCRIPTION
Accessory - Wall Stud Cable Spacer

GENERAL
Series: Flute
Brand: Cangini & Tucci
Division: Design

PHYSICAL
Fixture Finish: CHR / WHI / BLK / BST / SLF / GLF
Fixture Material: Metal

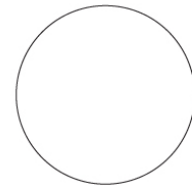
RATINGS AND CERTIFICATIONS
Certified By: Certified for North American Standards
IP rating: IP20



20mm $\frac{13}{16}$ "



10mm $\frac{3}{8}$ "



20mm $\frac{13}{16}$ "



D14FIJI-MOD-SYS COMPONENTS

PROJECT	_____
TYPE	_____
NOTES	_____
QUANTITY	_____
DATE	_____

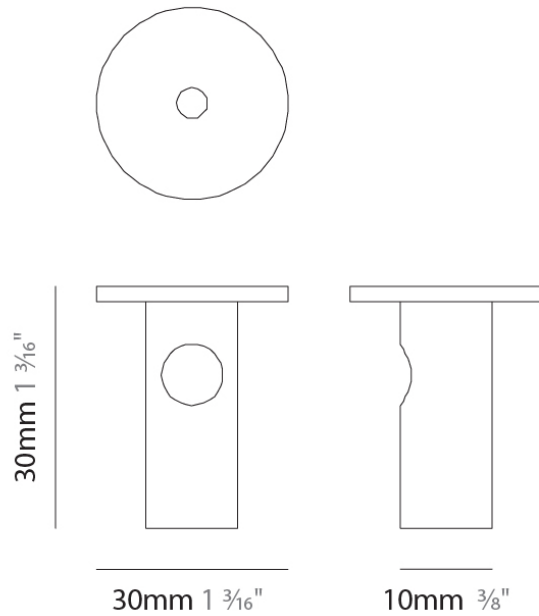
D149013-

DESCRIPTION
Accessory - Ceiling Cable Spacer

GENERAL
Series: Flute
Brand: Cangini & Tucci
Division: Design

PHYSICAL
Fixture Finish: CHR / WHI / BLK / BST / SLF / GLF
Fixture Material: Metal

RATINGS AND CERTIFICATIONS
Certified By: Certified for North American Standards
IP rating: IP20



PROJECT	
TYPE	
NOTES	
QUANTITY	
DATE	

D14FIJI-MOD-SYS COMPONENTS

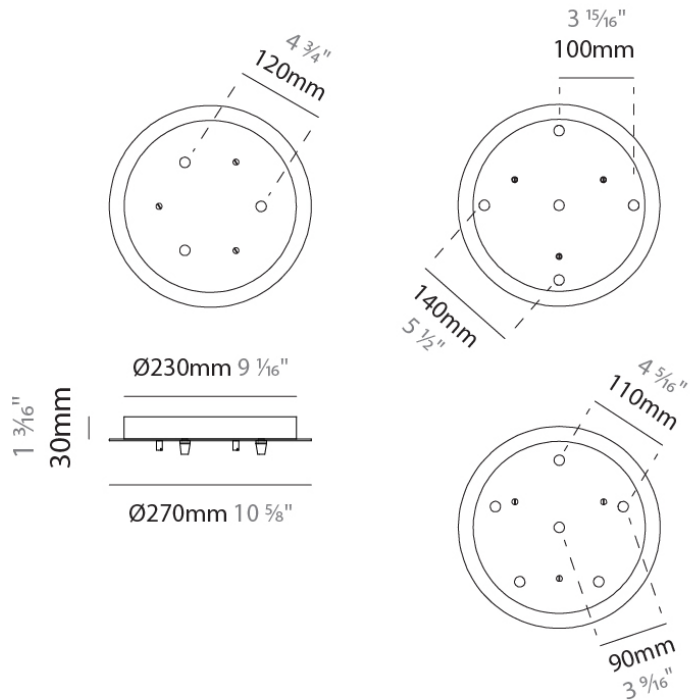
D149014-

DESCRIPTION
 Component - Round Canopy - 270mm - for 3 - 5 - 6 lights

GENERAL
 Brand: Cangini & Tucci
 Division: Design

PHYSICAL
 Shape: Round
 Diameter (mm): 270
 Diameter (in): 10 ⁵/₈
 Height (mm): 30
 Height (in): 1 ³/₁₆
 Fixture Finish: CHR / WHI / BLK / BST / SLF / GLF
 Fixture Material: Metal

RATINGS AND CERTIFICATIONS
 Certified By: Certified for North American Standards
 IP rating: IP20



D14FIJI-MOD-SYS COMPONENTS

PROJECT	
TYPE	
NOTES	
QUANTITY	
DATE	

D149015-

DESCRIPTION

Component - Round Canopy - 430mm - for 3 - 5 - 6 - 7 - 8 - 9 - 10 -11 lights

GENERAL

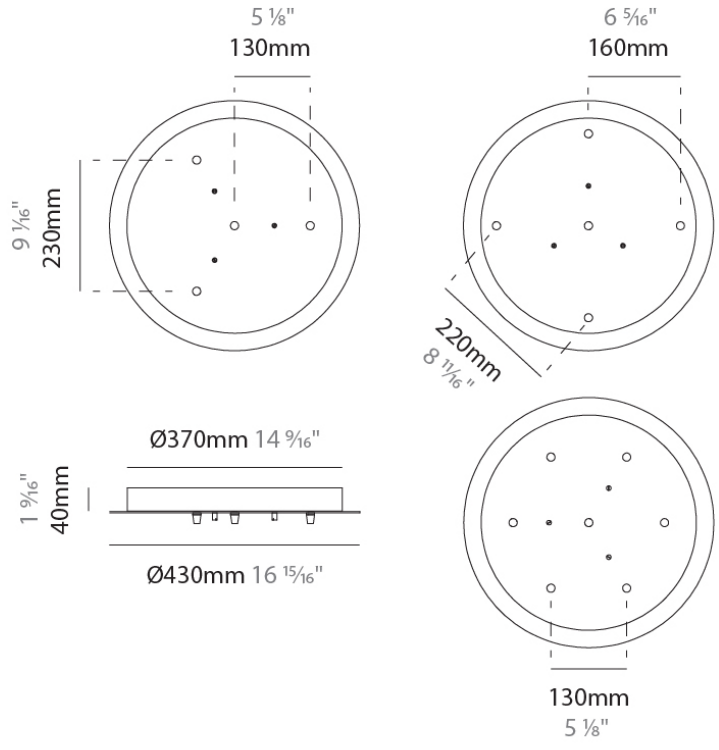
Brand: Cangini & Tucci
 Division: Design

PHYSICAL

Shape: Round
 Diameter (mm): 430
 Diameter (in): 16 ¹⁵/₁₆
 Height (mm): 40
 Height (in): 1 ⁹/₁₆
 Fixture Finish: CHR / WHI / BLK / BST / SLF / GLF
 Fixture Material: Metal

RATINGS AND CERTIFICATIONS

Certified By: Certified for North American Standards
 IP rating: IP20



PROJECT	
TYPE	
NOTES	
QUANTITY	
DATE	

D14FIJI-MOD-SYS COMPONENTS

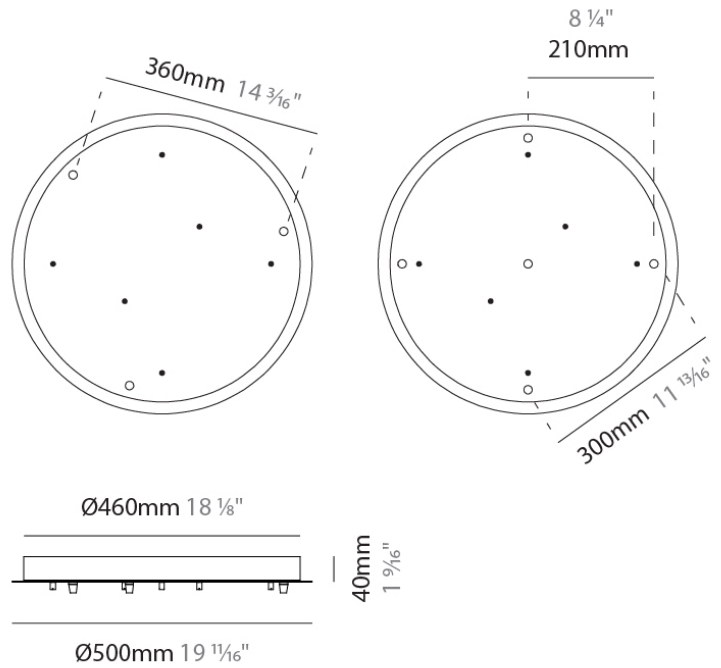
D149016-

DESCRIPTION
 Component - Round Canopy - 500mm - for 3 - 4 - 5 lights

GENERAL
 Brand: Cangini & Tucci
 Division: Design

PHYSICAL
 Shape: Round
 Diameter (mm): 500
 Diameter (in): 19 11/16"
 Height (mm): 40
 Height (in): 1 9/16"
 Fixture Finish: CHR / WHI / BLK / BST / SLF / GLF
 Fixture Material: Metal

RATINGS AND CERTIFICATIONS
 Certified By: Certified for North American Standards
 IP rating: IP20



D14FIJI-MOD-SYS COMPONENTS

PROJECT	
TYPE	
NOTES	
QUANTITY	
DATE	

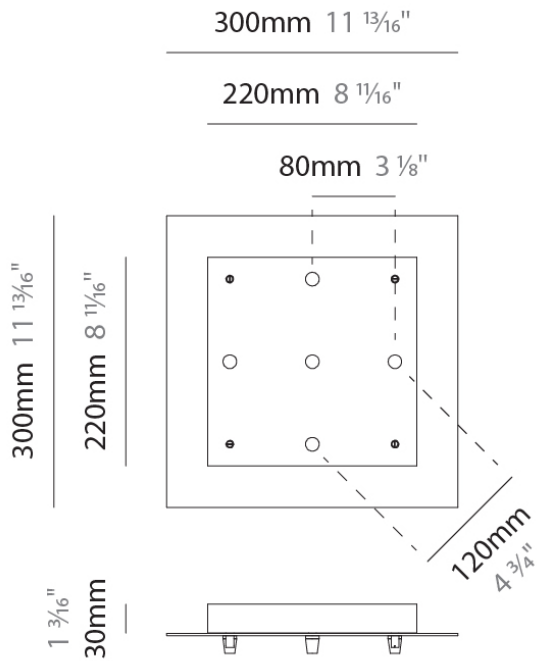
D149017-

DESCRIPTION
 Component - Square Canopy - 300mm - for 5 lights

GENERAL
 Brand: Cangini & Tucci
 Division: Design

PHYSICAL
 Shape: Square
 Length (mm): 300
 Length (in): 11 ¹³/₁₆"
 Width (mm): 300
 Width (in): 11 ¹³/₁₆"
 Height (mm): 30
 Height (in): 1 ³/₁₆"
 Fixture Finish: CHR / WHI / BLK / BST / SLF / GLF
 Fixture Material: Metal

RATINGS AND CERTIFICATIONS
 Certified By: Certified for North American Standards
 IP rating: IP20



D14FIJI-MOD-SYS COMPONENTS

PROJECT	
TYPE	
NOTES	
QUANTITY	
DATE	

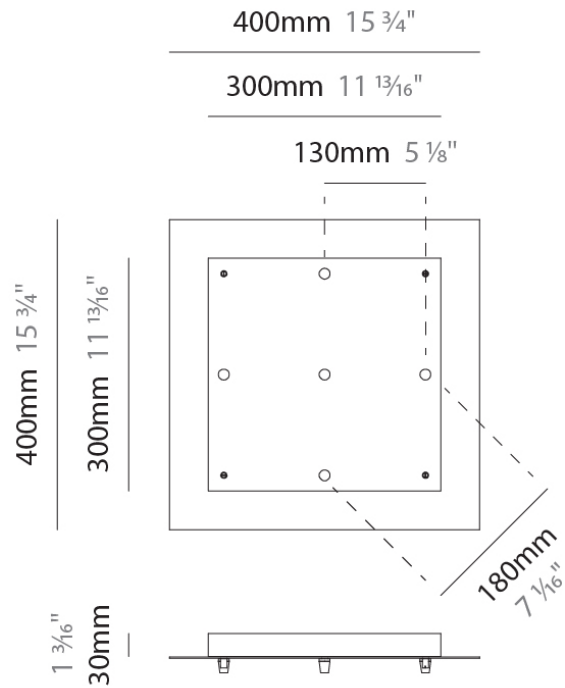
D149018-

DESCRIPTION
 Component - Square Canopy - 400mm - for 5 lights

GENERAL
 Brand: Cangini & Tucci
 Division: Design

PHYSICAL
 Shape: Square
 Length (mm): 400
 Length (in): 15 3/4
 Width (mm): 400
 Width (in): 15 3/4
 Height (mm): 30
 Height (in): 1 3/16
 Fixture Finish: CHR / WHI / BLK / BST / SLF / GLF
 Fixture Material: Metal

RATINGS AND CERTIFICATIONS
 Certified By: Certified for North American Standards
 IP rating: IP20



D14FIJI-MOD-SYS COMPONENTS

PROJECT	
TYPE	
NOTES	
QUANTITY	
DATE	

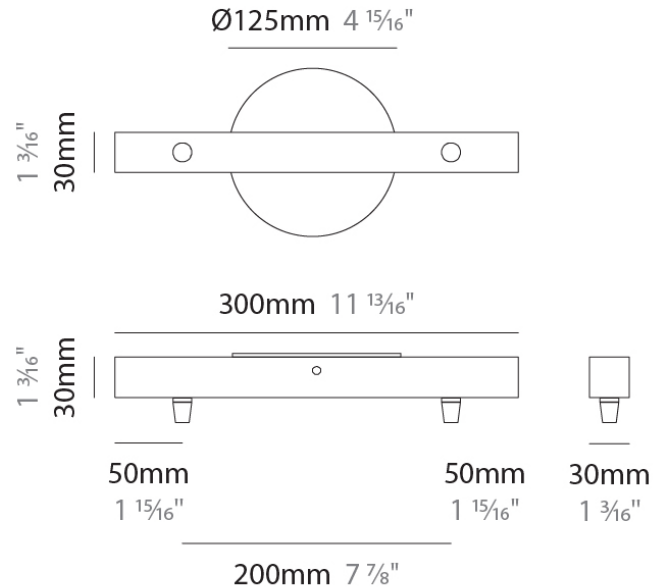
D149019-

DESCRIPTION
 Component - Slim Linear Canopy - 300mm - 2 lights

GENERAL
 Brand: Cangini & Tucci
 Division: Design

PHYSICAL
 Shape: Rectangle
 Length (mm): 300
 Length (in): 11 ¹³/₁₆"
 Width (mm): 30
 Width (in): 1 ³/₁₆"
 Height (mm): 30
 Height (in): 1 ³/₁₆"
 Fixture Finish: CHR / WHI / BLK / BST / SLF / GLF
 Fixture Material: Metal

RATINGS AND CERTIFICATIONS
 Certified By: Certified for North American Standards
 IP rating: IP20



D14FIJI-MOD-SYS COMPONENTS

PROJECT	
TYPE	
NOTES	
QUANTITY	
DATE	

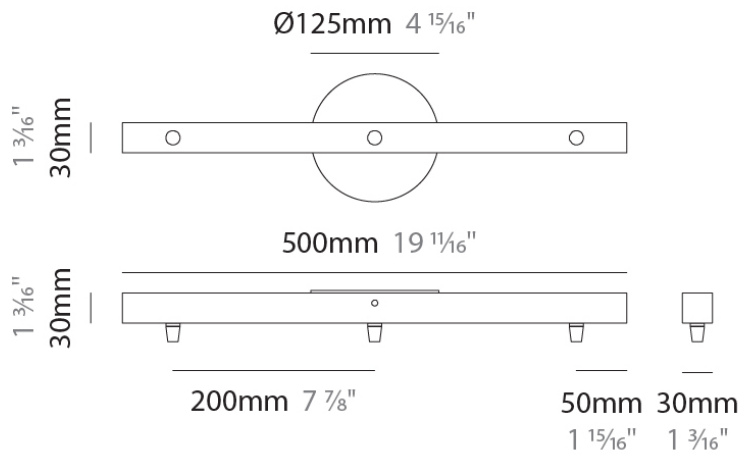
D149020-

DESCRIPTION
 Component - Slim Linear Canopy - 500mm - 3 lights

GENERAL
 Brand: Cangini & Tucci
 Division: Design

PHYSICAL
 Shape: Rectangle
 Length (mm): 500
 Length (in): 19 11/16
 Width (mm): 30
 Width (in): 1 3/16
 Height (mm): 30
 Height (in): 1 3/16
 Fixture Finish: CHR / WHI / BLK / BST / SLF / GLF
 Fixture Material: Metal

RATINGS AND CERTIFICATIONS
 Certified By: Certified for North American Standards
 IP rating: IP20



D14FIJI-MOD-SYS COMPONENTS

PROJECT	
TYPE	
NOTES	
QUANTITY	
DATE	

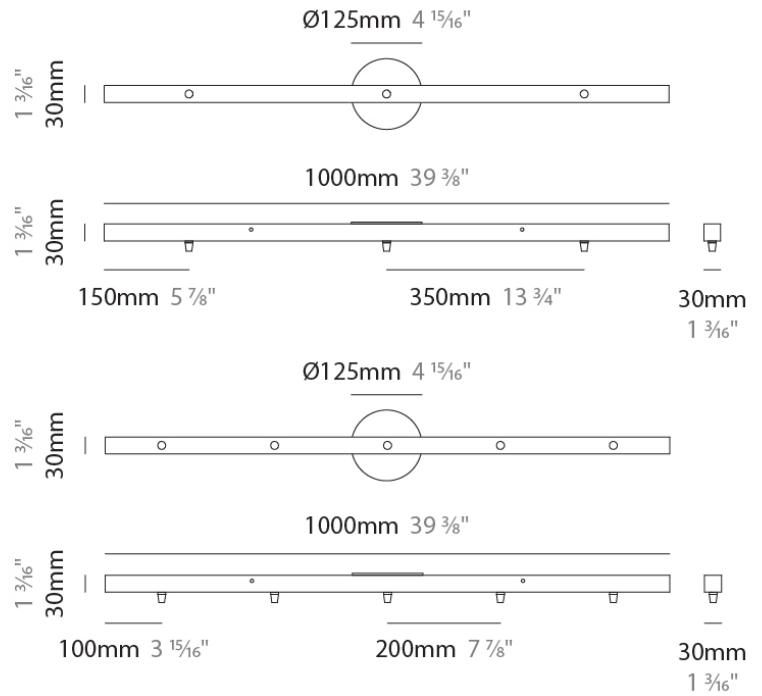
D149021-

DESCRIPTION
 Component - Slim Linear Canopy - 1000mm - 3-5 lights

GENERAL
 Brand: Cangini & Tucci
 Division: Design

PHYSICAL
 Shape: Rectangle
 Length (mm): 1000
 Length (in): 39 3/8
 Width (mm): 30
 Width (in): 1 3/16
 Height (mm): 30
 Height (in): 1 3/16
 Fixture Finish: CHR / WHI / BLK / BST / SLF / GLF
 Fixture Material: Metal

RATINGS AND CERTIFICATIONS
 Certified By: Certified for North American Standards
 IP rating: IP20



LEGEND

floor-mounted	pivotal	special LED (upon request) RGB, RGBW, tunable, gold+, meat+, art+, fashion+
wall and ceiling: recessed and surface mounted	rotating	warm dim / natural dimming LED
ceiling-mounted and wall-mounted	illuminate tilted	rechargeable battery powered
wall-mounted	color of suspension cable	fixture with natural vivid LED (upon request)
omni-directional light distribution	length of suspension cable	color rendering index
direct light distribution	reflector degree selection	color temperature
direct/indirect light distribution	super spot	lumen (luminous flux)
indirect light distribution	lens	efficacy (lumens per watt)
asymmetric light distribution	lens pack	Unified Glare Rating (UGR) range from 5-40
aura light distribution	shine ring	marine grade (AISI 316 stainless steel)
round wall or ceiling cut-out	integrated shine ring with diffuser	walk on
square wall or ceiling cut-out	free individual colors 01-29	drive on
the supplied jig specifies the cutout dimensions	individual colors: 00 (free of charge), 01-25 (extra charge)	Dark Sky Compliance
minimum distance (meters) lamp - object	luminaire part to be colored (F1)	Americans with Disabilities Act (less than 4" off the wall located between 27"-84" from floor)
recessed depth	luminaire part to be colored (F2)	lamp protected against explosion
ceiling thickness in mm	luminaire part to be colored (F3)	blown glass using traditional methods by master glass blower
ceiling thickness selection	luminaire part to be colored (F4)	acoustic material
dimmable DP (phase), DV (0-10V), DD (dali), DS (step-dim)	luminaire part to be colored (F5)	protection class I, protection insulation
included or excluded LED driver/transformer/control gear	color of 3-circuit adaptor	protection class II, protection insulation
separately switchable	indirect diffuser	ETL Certified to UL and CSA Standards
sensor	direct diffuser	UL Certified to UL and CSA Standards
remote control	ball-proof (upon request)	CSA Certified to UL and CSA Standards
available upon request	accessory	Certified for North American Standards

IP RATING

IP20	protected against ingress of solid bodies greater than 12.5mm (finger)
IP33	protected against ingress of solid bodies greater than 2.5mm protected against sprays of water up to 60 degrees from the vertical (rain)
IP40	protected against ingress of solid bodies greater than 1mm (wire) no protection against the ingress of moisture
IP43	protected against ingress of solid bodies greater than 1mm (wire) protected against sprays of water up to 60 degrees from the vertical (rain)
IP44	protected against ingress of solid bodies greater than 1mm (wire) protected against water splashed from all directions
IP54	protected against limited ingress of dust (wet rooms/covered outdoor areas) protected against water splashed from all directions
IP65	protected against ingress of dust protected against jets of water
IP66	protected against ingress of dust protected against powerful jets of water or heavy seas
IP67	protected against ingress of dust protected against immersion of water between 15cm - 1m for 30 minutes
IP68	protected against ingress of dust protected against immersion of water under pressure for long periods

IK RATING

IK01	protected against 0.14 joules impact (equivalent to 0.25kg mass dropped from 56mm above the surface)
IK02	protected against 0.2 joules impact (equivalent to 0.25kg mass dropped from 80mm above the surface)
IK03	protected against 0.35 joules impact (equivalent to 0.25kg mass dropped from 140mm above the surface)
IK04	protected against 0.5 joules impact (equivalent to 0.25kg mass dropped from 200mm above the surface)
IK05	protected against 0.7 joules impact (equivalent to 0.25kg mass dropped from 280mm above the surface)
IK06	protected against 1 joules impact (equivalent to 0.25kg mass dropped from 400mm above the surface)
IK07	protected against 2 joules impact (equivalent to 0.5kg mass dropped from 400mm above the surface)
IK08	protected against 5 joules impact (equivalent to 1.7kg mass dropped from 300mm above the surface)
IK09	protected against 10 joules impact (equivalent to 5.0kg mass dropped from 200mm above the surface)
IK10	protected against 20 joules impact (equivalent to 5.0kg mass dropped from 400mm above the surface)