

D14LAC-MOD-SYS COMPONENTS SUSPENSION

D141057-

DESCRIPTION

Lacrima - Suspension - 180mm - 1 x Max. 4W LED Retrofit - E12 - without Canopy - Smooth Glass

GENERAL

Series: Lacrima
 Subseries: Lacrima Modular System
 Brand: Cangini & Tucci
 Division: Design
 Mounting Type: Suspension
 Mounting Location: Ceiling

PHYSICAL

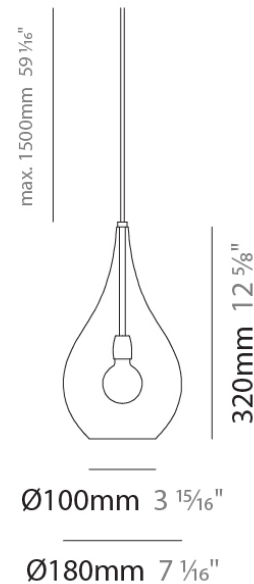
Shape: Abstract
 Diameter (mm): 180
 Diameter (in): 7 ¹/₁₆
 Height (mm): 320
 Height (in): 12 ⁵/₈
 Max. Overall Height (mm): 1820
 Max. Overall Height (in): 71 ⁵/₈
 Light Distribution: Omnidirectional
 Weight (kg): 0.82
 Weight (lbs): 1.81
 Fixture Finish: AMB / GRN / PNK / RUB / SKB / SMK / TOB / TRA
 Holder Finish: CHR
 Fixture Material: Glass / Metal
 Cable Details: 1500mm Cable

ELECTRICAL

Number of Lamps: 1
 Lamp Type: LED Retrofit
 Bulb Included: Bulb Not Included
 Max. Wattage Per Lamp (W): 4
 Lamp Base: E12
 Input Voltage (V): 120

RATINGS AND CERTIFICATIONS

Certified By: Certified for North American Standards
 IP rating: IP20



| | |
|----------|--|
| PROJECT | |
| TYPE | |
| NOTES | |
| QUANTITY | |
| DATE | |

D14LAC-MOD-SYS COMPONENTS SUSPENSION

D141058-

DESCRIPTION

Lacrima - Suspension - 260mm - 1 x Max. 8W LED Retrofit - E26 - without Canopy - Smooth Glass

GENERAL

Series: Lacrima
 Subseries: Lacrima Modular System
 Brand: Cangini & Tucci
 Division: Design
 Mounting Type: Suspension
 Mounting Location: Ceiling

PHYSICAL

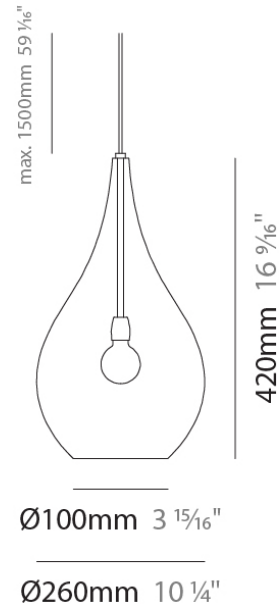
Shape: Abstract
 Diameter (mm): 260
 Diameter (in): 10 1/4
 Height (mm): 420
 Height (in): 16 9/16
 Max. Overall Height (mm): 1920
 Max. Overall Height (in): 75 9/16
 Light Distribution: Omnidirectional
 Weight (kg): 1.085
 Weight (lbs): 2.39
 Fixture Finish: AMB / GRN / PNK / RUB / SKB / SMK / TOB / TRA
 Holder Finish: CHR
 Fixture Material: Glass / Metal
 Cable Details: 1500mm Cable

ELECTRICAL

Number of Lamps: 1
 Lamp Type: LED Retrofit
 Bulb Included: Bulb Not Included
 Max. Wattage Per Lamp (W): 8
 Lamp Base: E26
 Input Voltage (V): 120
 Upon Request: 277Vac / GU24

RATINGS AND CERTIFICATIONS

Certified By: Certified for North American Standards
 IP rating: IP20



| | |
|----------|--|
| PROJECT | |
| TYPE | |
| NOTES | |
| QUANTITY | |
| DATE | |

D14LAC-MOD-SYS COMPONENTS SUSPENSION

D141068-

DESCRIPTION

Lacrima - Suspension - 180mm - 1 x Max. 4W LED Retrofit - E12 - without Canopy - Ribbed Glass

GENERAL

Series: Lacrima
 Subseries: Lacrima Modular System
 Brand: Cangini & Tucci
 Division: Design
 Mounting Type: Suspension
 Mounting Location: Ceiling

PHYSICAL

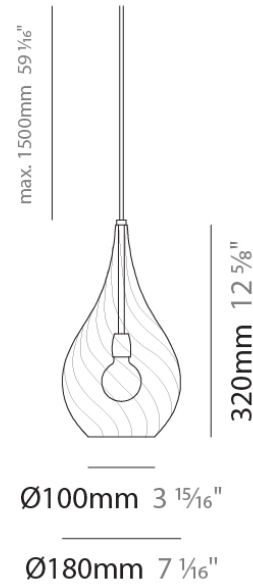
Shape: Abstract
 Diameter (mm): 180
 Diameter (in): 7 1/16
 Height (mm): 320
 Height (in): 12 5/8
 Max. Overall Height (mm): 1820
 Max. Overall Height (in): 71 5/8
 Light Distribution: Omnidirectional
 Weight (kg): 0.82
 Weight (lbs): 1.81
 Fixture Finish: AMB / GRN / PNK / RUB / SKB / SMK / TOB / TRA
 Holder Finish: CHR
 Fixture Material: Glass / Metal
 Cable Details: 1500mm Cable

ELECTRICAL

Number of Lamps: 1
 Lamp Type: LED Retrofit
 Bulb Included: Bulb Not Included
 Max. Wattage Per Lamp (W): 4
 Lamp Base: E12
 Input Voltage (V): 120

RATINGS AND CERTIFICATIONS

Certified By: Certified for North American Standards
 IP rating: IP20



D14LAC-MOD-SYS COMPONENTS SUSPENSION

D141069-

DESCRIPTION

Lacrima - Suspension - 260mm - 1 x Max. 8W LED Retrofit - E26 - without Canopy - Ribbed Glass

GENERAL

Series: Lacrima
 Subseries: Lacrima Modular System
 Brand: Cangini & Tucci
 Division: Design
 Mounting Type: Suspension
 Mounting Location: Ceiling

PHYSICAL

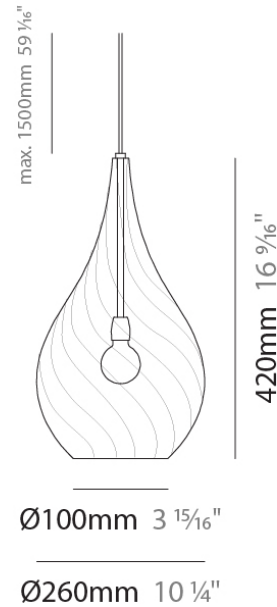
Shape: Abstract
 Diameter (mm): 260
 Diameter (in): 10 1/4
 Height (mm): 420
 Height (in): 16 9/16
 Max. Overall Height (mm): 1920
 Max. Overall Height (in): 75 9/16
 Light Distribution: Omnidirectional
 Weight (kg): 1.085
 Weight (lbs): 2.39
 Fixture Finish: AMB / GRN / PNK / RUB / SKB / SMK / TOB / TRA
 Holder Finish: CHR
 Fixture Material: Glass / Metal
 Cable Details: 1500mm Cable

ELECTRICAL

Number of Lamps: 1
 Lamp Type: LED Retrofit
 Bulb Included: Bulb Not Included
 Max. Wattage Per Lamp (W): 8
 Lamp Base: E26
 Input Voltage (V): 120
 Upon Request: 277Vac / GU24

RATINGS AND CERTIFICATIONS

Certified By: Certified for North American Standards
 IP rating: IP20



D14LAC-MOD-SYS COMPONENTS

D149000-

DESCRIPTION

Standard Single 120mm - Round Canopy

GENERAL

Brand: Cangini & Tucci

Division: Design

PHYSICAL

Shape: Round

Diameter (mm): 120

Diameter (in): 4 ³/₄

Height (mm): 30

Height (in): 1 ³/₁₆

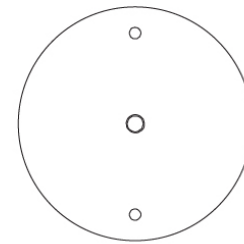
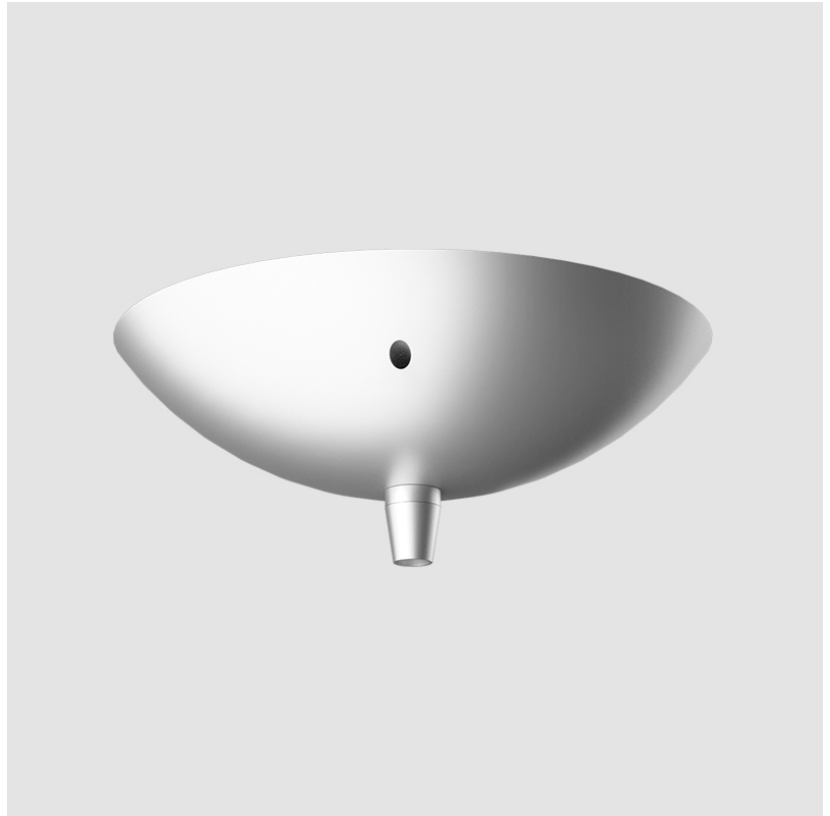
Fixture Finish: CHR / WHI / BLK / BST / SLF / GLF

Fixture Material: Metal

RATINGS AND CERTIFICATIONS

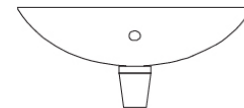
Certified By: Certified for North American Standards

IP rating: IP20



Ø120mm 4 ³/₄"

1 ³/₁₆"
30mm



D14LAC-MOD-SYS COMPONENTS

D149001-

DESCRIPTION

Component - Single 120mm - Round Canopy

GENERAL

Brand: Cangini & Tucci

Division: Design

PHYSICAL

Shape: Round

Diameter (mm): 120

Diameter (in): 4 ³/₄

Height (mm): 30

Height (in): 1 ³/₁₆

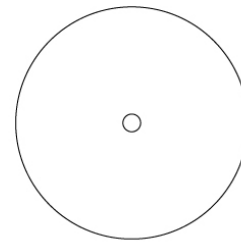
Fixture Finish: CHR / WHI / BLK / BST / SLF / GLF

Fixture Material: Metal

RATINGS AND CERTIFICATIONS

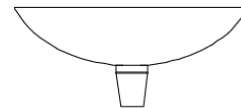
Certified By: Certified for North American Standards

IP rating: IP20



Ø120mm 4 ³/₄"

1 ³/₁₆"
30mm



D14LAC-MOD-SYS COMPONENTS

D149004-

DESCRIPTION

Component - Recessed Round 45mm Canopy

GENERAL

Brand: Cangini & Tucci

Division: Design

PHYSICAL

Shape: Round

Diameter (mm): 45

Diameter (in): 1 3/4

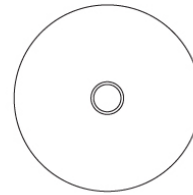
Fixture Finish: CHR / WHI / BLK / BST / SLF / GLF

Fixture Material: Metal

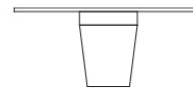
RATINGS AND CERTIFICATIONS

Certified By: Certified for North American Standards

IP rating: IP20



Ø45mm 1 3/4"



| | |
|----------|-------|
| PROJECT | _____ |
| TYPE | _____ |
| NOTES | _____ |
| QUANTITY | _____ |
| DATE | _____ |

D14LAC-MOD-SYS COMPONENTS

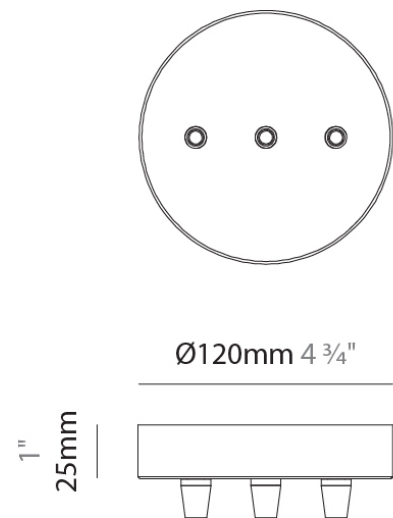
D149006-

DESCRIPTION
Component - Round Canopy - 95mm - 3 Holes

GENERAL
Brand: Cangini & Tucci
Division: Design

PHYSICAL
Shape: Round
Diameter (mm): 120
Diameter (in): 4 ¾
Height (mm): 25
Height (in): 1
Fixture Finish: CHR / WHI / BLK / BST / SLF / GLF
Fixture Material: Metal

RATINGS AND CERTIFICATIONS
Certified By: Certified for North American Standards
IP rating: IP20



| | |
|----------|-------|
| PROJECT | _____ |
| TYPE | _____ |
| NOTES | _____ |
| QUANTITY | _____ |
| DATE | _____ |

D14LAC-MOD-SYS COMPONENTS

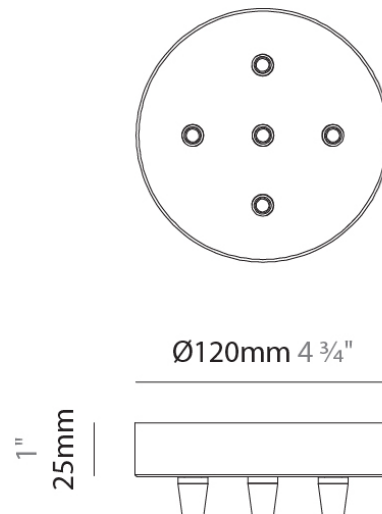
D149007-

DESCRIPTION
Component - Round Canopy - 120mm - 5 Holes

GENERAL
Brand: Cangini & Tucci
Division: Design

PHYSICAL
Shape: Round
Diameter (mm): 120
Diameter (in): 4 ¾
Height (mm): 25
Height (in): 1
Fixture Finish: CHR / WHI / BLK / BST / SLF / GLF
Fixture Material: Metal

RATINGS AND CERTIFICATIONS
Certified By: Certified for North American Standards
IP rating: IP20



D14LAC-MOD-SYS COMPONENTS

D149008-

DESCRIPTION

Component - Single 120mm - Round Cone Canopy - 2 External Holes + 1 Central Hole

GENERAL

Brand: Cangini & Tucci

Division: Design

PHYSICAL

Shape: Round

Diameter (mm): 120

Diameter (in): 4 3/4

Height (mm): 70

Height (in): 2 3/4

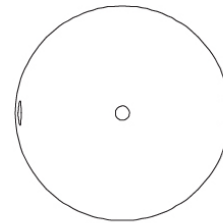
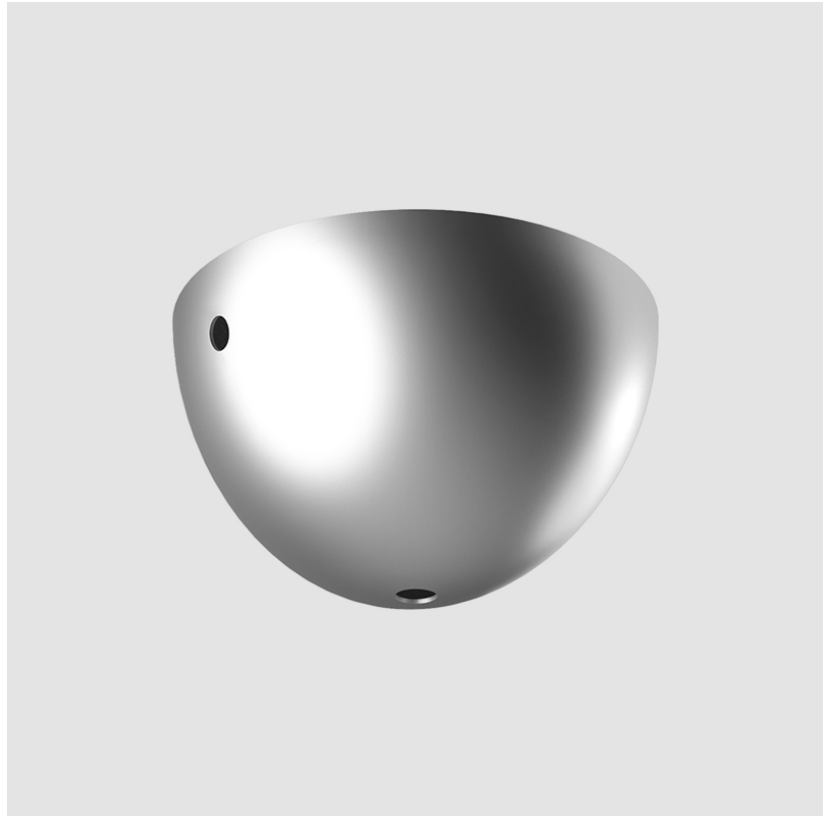
Fixture Finish: CHR / WHI / BLK / BST / SLF / GLF

Fixture Material: Metal

RATINGS AND CERTIFICATIONS

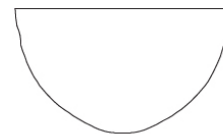
Certified By: Certified for North American Standards

IP rating: IP20



Ø120mm 4 3/4"

70mm 2 3/4"



D14LAC-MOD-SYS COMPONENTS

| | |
|----------|--|
| PROJECT | |
| TYPE | |
| NOTES | |
| QUANTITY | |
| DATE | |

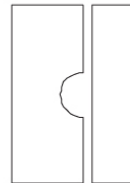
D149012-

DESCRIPTION
Accessory - Wall Stud Cable Spacer

GENERAL
Series: Flute
Brand: Cangini & Tucci
Division: Design

PHYSICAL
Fixture Finish: CHR / WHI / BLK / BST / SLF / GLF
Fixture Material: Metal

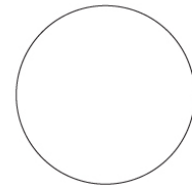
RATINGS AND CERTIFICATIONS
Certified By: Certified for North American Standards
IP rating: IP20



20mm ¹³/₁₆"



10mm ³/₈"



20mm ¹³/₁₆"



D14LAC-MOD-SYS COMPONENTS

| | |
|----------|--|
| PROJECT | |
| TYPE | |
| NOTES | |
| QUANTITY | |
| DATE | |

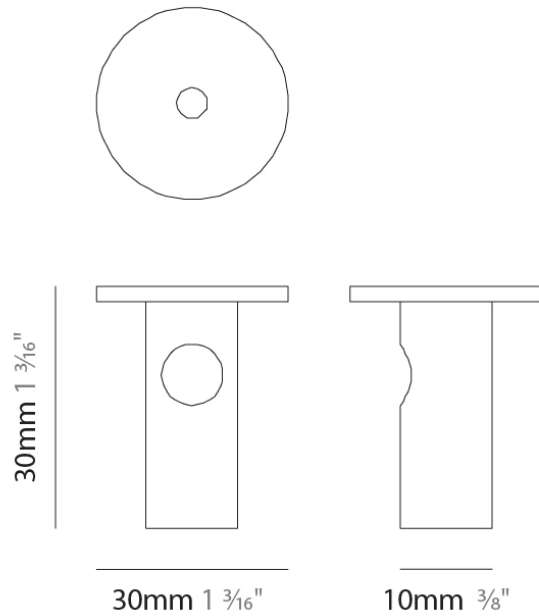
D149013-

DESCRIPTION
Accessory - Ceiling Cable Spacer

GENERAL
Series: Flute
Brand: Cangini & Tucci
Division: Design

PHYSICAL
Fixture Finish: CHR / WHI / BLK / BST / SLF / GLF
Fixture Material: Metal

RATINGS AND CERTIFICATIONS
Certified By: Certified for North American Standards
IP rating: IP20



D14LAC-MOD-SYS COMPONENTS

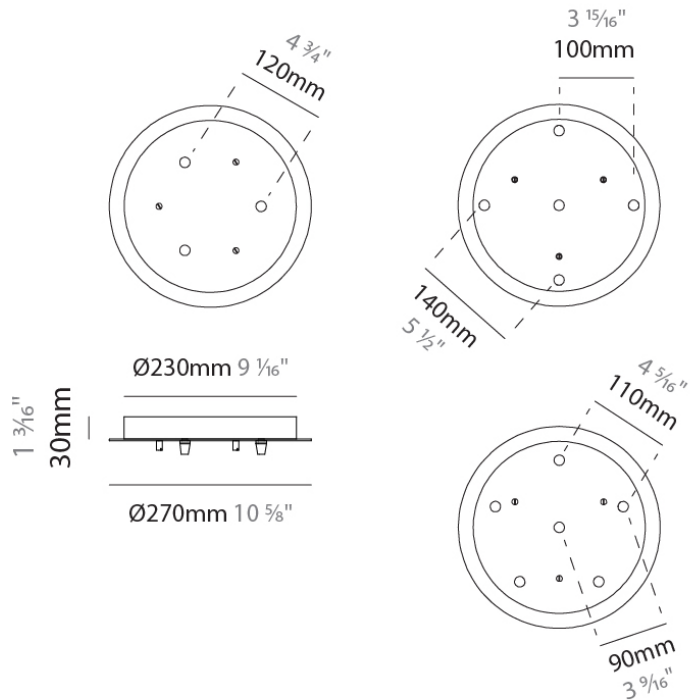
D149014-

DESCRIPTION
 Component - Round Canopy - 270mm - for 3 - 5 - 6 lights

GENERAL
 Brand: Cangini & Tucci
 Division: Design

PHYSICAL
 Shape: Round
 Diameter (mm): 270
 Diameter (in): 10 ⁵/₈
 Height (mm): 30
 Height (in): 1 ³/₁₆
 Fixture Finish: CHR / WHI / BLK / BST / SLF / GLF
 Fixture Material: Metal

RATINGS AND CERTIFICATIONS
 Certified By: Certified for North American Standards
 IP rating: IP20



| | |
|----------|--|
| PROJECT | |
| TYPE | |
| NOTES | |
| QUANTITY | |
| DATE | |

D14LAC-MOD-SYS COMPONENTS

D149015-

DESCRIPTION

Component - Round Canopy - 430mm - for 3 - 5 - 6 - 7 - 8 - 9 - 10 - 11 lights

GENERAL

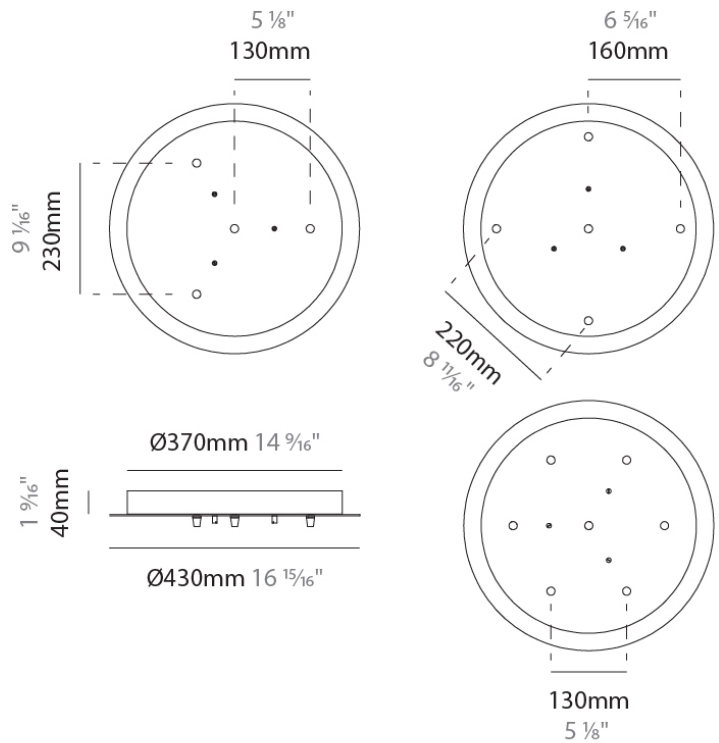
Brand: Cangini & Tucci
 Division: Design

PHYSICAL

Shape: Round
 Diameter (mm): 430
 Diameter (in): 16 ¹⁵/₁₆
 Height (mm): 40
 Height (in): 1 ⁹/₁₆
 Fixture Finish: CHR / WHI / BLK / BST / SLF / GLF
 Fixture Material: Metal

RATINGS AND CERTIFICATIONS

Certified By: Certified for North American Standards
 IP rating: IP20



| | |
|----------|--|
| PROJECT | |
| TYPE | |
| NOTES | |
| QUANTITY | |
| DATE | |

D14LAC-MOD-SYS COMPONENTS

D149016-

DESCRIPTION

Component - Round Canopy - 500mm - for 3 - 4 - 5 lights

GENERAL

Brand: Cangini & Tucci

Division: Design

PHYSICAL

Shape: Round

Diameter (mm): 500

Diameter (in): 19 ¹¹/₁₆"

Height (mm): 40

Height (in): 1 ⁹/₁₆"

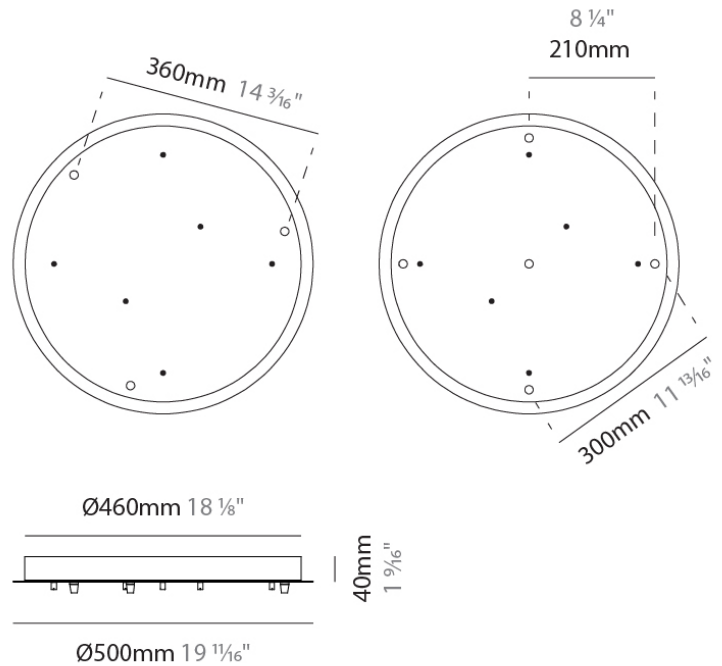
Fixture Finish: CHR / WHI / BLK / BST / SLF / GLF

Fixture Material: Metal

RATINGS AND CERTIFICATIONS

Certified By: Certified for North American Standards

IP rating: IP20



| | |
|----------|--|
| PROJECT | |
| TYPE | |
| NOTES | |
| QUANTITY | |
| DATE | |

D14LAC-MOD-SYS COMPONENTS

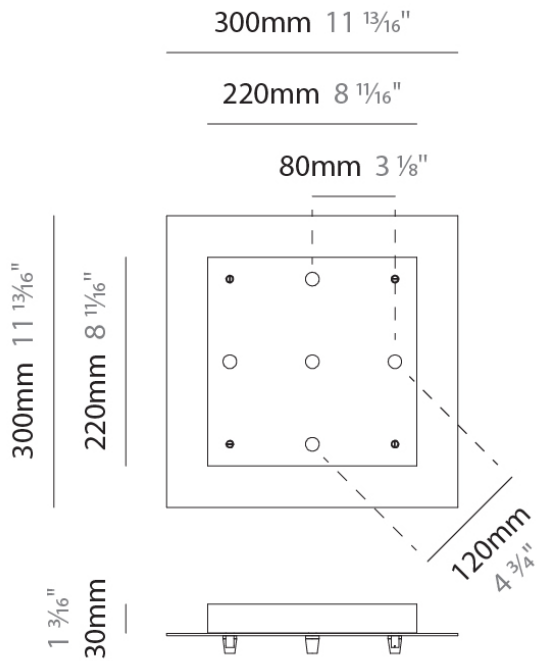
D149017-

DESCRIPTION
 Component - Square Canopy - 300mm - for 5 lights

GENERAL
 Brand: Cangini & Tucci
 Division: Design

PHYSICAL
 Shape: Square
 Length (mm): 300
 Length (in): 11 ¹³/₁₆"
 Width (mm): 300
 Width (in): 11 ¹³/₁₆"
 Height (mm): 30
 Height (in): 1 ³/₁₆"
 Fixture Finish: CHR / WHI / BLK / BST / SLF / GLF
 Fixture Material: Metal

RATINGS AND CERTIFICATIONS
 Certified By: Certified for North American Standards
 IP rating: IP20



D14LAC-MOD-SYS COMPONENTS

| | |
|----------|--|
| PROJECT | |
| TYPE | |
| NOTES | |
| QUANTITY | |
| DATE | |

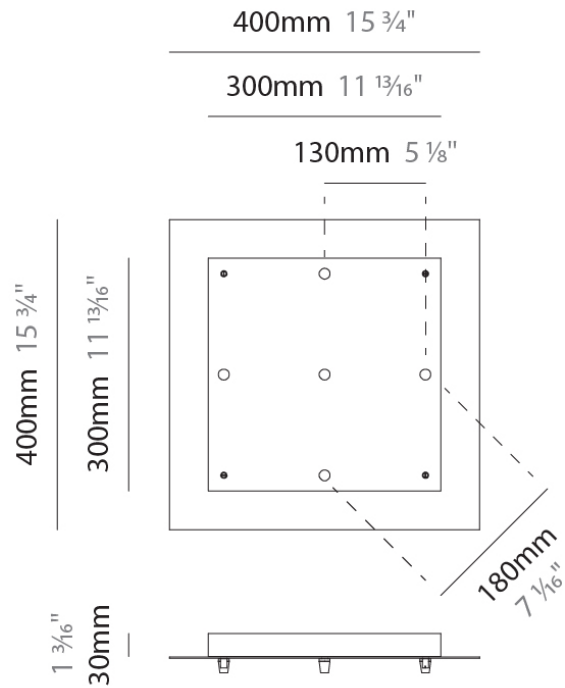
D149018-

DESCRIPTION
 Component - Square Canopy - 400mm - for 5 lights

GENERAL
 Brand: Cangini & Tucci
 Division: Design

PHYSICAL
 Shape: Square
 Length (mm): 400
 Length (in): 15 3/4
 Width (mm): 400
 Width (in): 15 3/4
 Height (mm): 30
 Height (in): 1 3/16
 Fixture Finish: CHR / WHI / BLK / BST / SLF / GLF
 Fixture Material: Metal

RATINGS AND CERTIFICATIONS
 Certified By: Certified for North American Standards
 IP rating: IP20



D14LAC-MOD-SYS COMPONENTS

| | |
|----------|--|
| PROJECT | |
| TYPE | |
| NOTES | |
| QUANTITY | |
| DATE | |

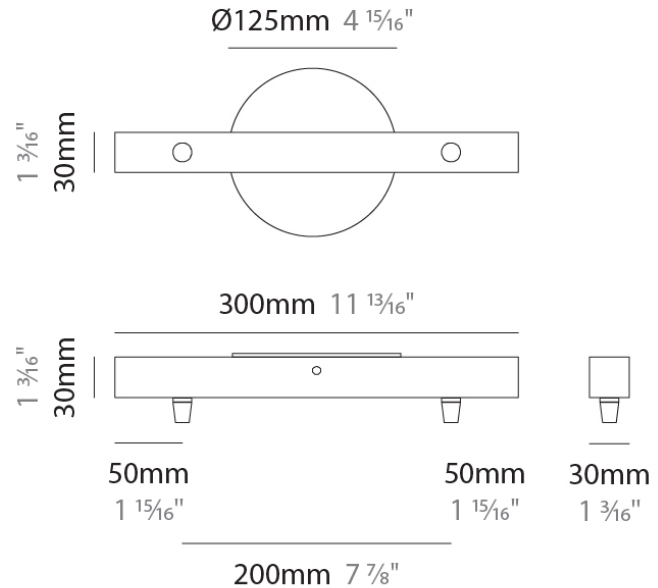
D149019-

DESCRIPTION
 Component - Slim Linear Canopy - 300mm - 2 lights

GENERAL
 Brand: Cangini & Tucci
 Division: Design

PHYSICAL
 Shape: Rectangle
 Length (mm): 300
 Length (in): 11 13/16
 Width (mm): 30
 Width (in): 1 3/16
 Height (mm): 30
 Height (in): 1 3/16
 Fixture Finish: CHR / WHI / BLK / BST / SLF / GLF
 Fixture Material: Metal

RATINGS AND CERTIFICATIONS
 Certified By: Certified for North American Standards
 IP rating: IP20



| | |
|----------|--|
| PROJECT | |
| TYPE | |
| NOTES | |
| QUANTITY | |
| DATE | |

D14LAC-MOD-SYS COMPONENTS

D149020-

DESCRIPTION

Component - Slim Linear Canopy - 500mm - 3 lights

GENERAL

Brand: Cangini & Tucci

Division: Design

PHYSICAL

Shape: Rectangle

Length (mm): 500

Length (in): 19 11/16"

Width (mm): 30

Width (in): 1 3/16"

Height (mm): 30

Height (in): 1 3/16"

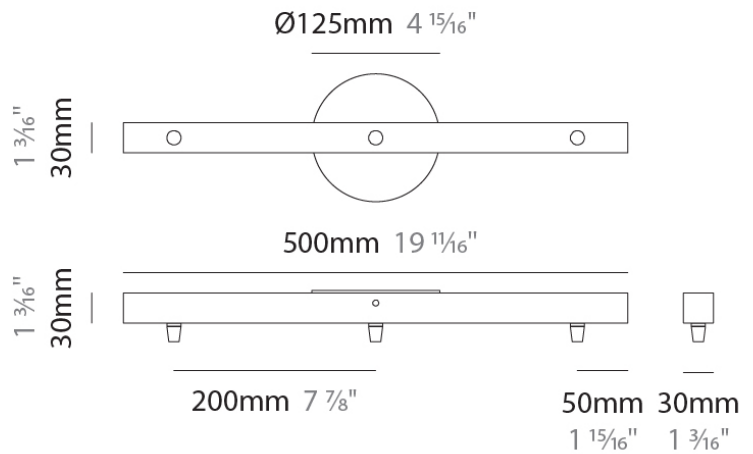
Fixture Finish: CHR / WHI / BLK / BST / SLF / GLF

Fixture Material: Metal

RATINGS AND CERTIFICATIONS

Certified By: Certified for North American Standards

IP rating: IP20



D14LAC-MOD-SYS COMPONENTS

| | |
|----------|--|
| PROJECT | |
| TYPE | |
| NOTES | |
| QUANTITY | |
| DATE | |

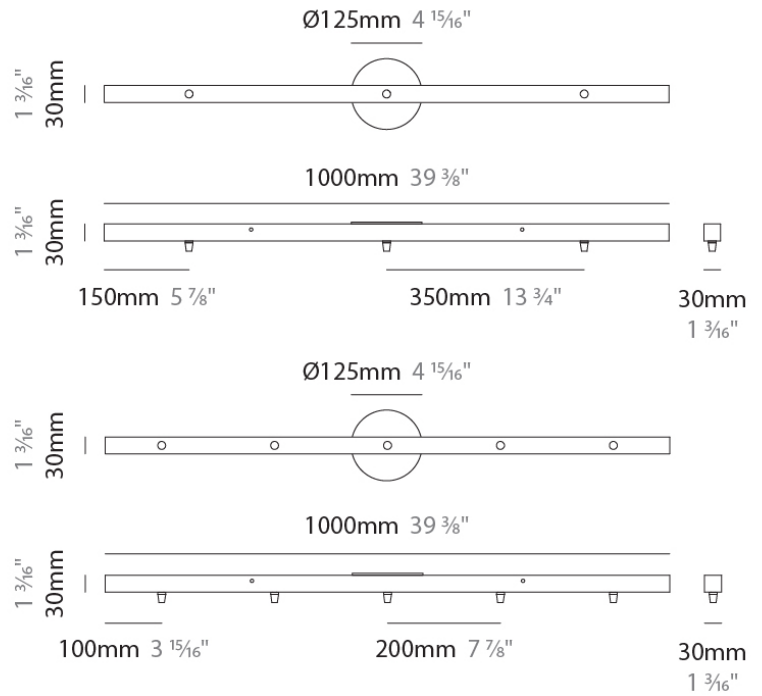
D149021-

DESCRIPTION
 Component - Slim Linear Canopy - 1000mm - 3-5 lights

GENERAL
 Brand: Cangini & Tucci
 Division: Design

PHYSICAL
 Shape: Rectangle
 Length (mm): 1000
 Length (in): 39 3/8
 Width (mm): 30
 Width (in): 1 3/16
 Height (mm): 30
 Height (in): 1 3/16
 Fixture Finish: CHR / WHI / BLK / BST / SLF / GLF
 Fixture Material: Metal

RATINGS AND CERTIFICATIONS
 Certified By: Certified for North American Standards
 IP rating: IP20



LEGEND

| | | | | | |
|--|---|--|--|--|--|
| | floor-mounted | | pivotable | | special LED (upon request) RGB, RGBW, tunable, gold+, meat+, art+, fashion+ |
| | wall and ceiling: recessed and surface mounted | | rotating | | warm dim / natural dimming LED |
| | ceiling-mounted and wall-mounted | | illuminate tilted | | rechargeable battery powered |
| | wall-mounted | | color of suspension cable | | fixture with natural vivid LED (upon request) |
| | omni-directional light distribution | | length of suspension cable | | color rendering index |
| | direct light distribution | | reflector degree selection | | color temperature |
| | direct/indirect light distribution | | super spot | | lumen (luminous flux) |
| | indirect light distribution | | lens | | efficacy (lumens per watt) |
| | asymmetric light distribution | | lens pack | | Unified Glare Rating (UGR) range from 5-40 |
| | aura light distribution | | shine ring | | marine grade (AISI 316 stainless steel) |
| | round wall or ceiling cut-out | | integrated shine ring with diffuser | | walk on |
| | square wall or ceiling cut-out | | free individual colors 01-29 | | drive on |
| | the supplied jig specifies the cutout dimensions | | individual colors: 00 (free of charge), 01-25 (extra charge) | | Dark Sky Compliance |
| | minimum distance (meters) lamp - object | | luminaire part to be colored (F1) | | Americans with Disabilities Act (less than 4" off the wall located between 27"-84" from floor) |
| | recessed depth | | luminaire part to be colored (F2) | | lamp protected against explosion |
| | ceiling thickness in mm | | luminaire part to be colored (F3) | | blown glass using traditional methods by master glass blower |
| | ceiling thickness selection | | luminaire part to be colored (F4) | | acoustic material |
| | dimnable DP (phase), DV (0-10V), DD (dali), DS (step-dim) | | luminaire part to be colored (F5) | | protection class I, protection insulation |
| | included or excluded LED driver/transformer/control gear | | color of 3-circuit adaptor | | protection class II, protection insulation |
| | separately switchable | | indirect diffuser | | ETL Certified to UL and CSA Standards |
| | sensor | | direct diffuser | | UL Certified to UL and CSA Standards |
| | remote control | | ball-proof (upon request) | | CSA Certified to UL and CSA Standards |
| | available upon request | | accessory | | Certified for North American Standards |

IP RATING

| | |
|--|--|
| | protected against ingress of solid bodies greater than 12.5mm (finger) |
| | protected against ingress of solid bodies greater than 2.5mm protected against sprays of water up to 60 degrees from the vertical (rain) |
| | protected against ingress of solid bodies greater than 1mm (wire) no protection against the ingress of moisture |
| | protected against ingress of solid bodies greater than 1mm (wire) protected against sprays of water up to 60 degrees from the vertical (rain) |
| | protected against ingress of solid bodies greater than 1mm (wire) protected against water splashed from all directions |
| | protected against limited ingress of dust (wet rooms/covered outdoor areas) protected against water splashed from all directions |
| | protected against ingress of dust protected against jets of water |
| | protected against ingress of dust protected against powerful jets of water or heavy seas |
| | protected against ingress of dust protected against immersion of water between 15cm - 1m for 30 minutes |
| | protected against ingress of dust protected against immersion of water under pressure for long periods |

IK RATING

| | |
|--|---|
| | protected against 0.14 joules impact (equivalent to 0.25kg mass dropped from 56mm above the surface) |
| | protected against 0.2 joules impact (equivalent to 0.25kg mass dropped from 80mm above the surface) |
| | protected against 0.35 joules impact (equivalent to 0.25kg mass dropped from 140mm above the surface) |
| | protected against 0.5 joules impact (equivalent to 0.25kg mass dropped from 200mm above the surface) |
| | protected against 0.7 joules impact (equivalent to 0.25kg mass dropped from 280mm above the surface) |
| | protected against 1 joules impact (equivalent to 0.25kg mass dropped from 400mm above the surface) |
| | protected against 2 joules impact (equivalent to 0.5kg mass dropped from 400mm above the surface) |
| | protected against 5 joules impact (equivalent to 1.7kg mass dropped from 300mm above the surface) |
| | protected against 10 joules impact (equivalent to 5.0kg mass dropped from 200mm above the surface) |
| | protected against 20 joules impact (equivalent to 5.0kg mass dropped from 400mm above the surface) |