

## D14TAO-MOD-SYS COMPONENTS SUSPENSION

### D141113-

#### DESCRIPTION

Tao - Suspension - 80mm - 1 x Max. 3W LED Retrofit - G9 - without Canopy

#### GENERAL

Series: Tao  
 Subseries: Tao Modular System  
 Partner: Cangini & Tucci  
 Division: Design  
 Installation: Suspension  
 Product Type: Clusters  
 Mounting Location: Ceiling

#### PHYSICAL

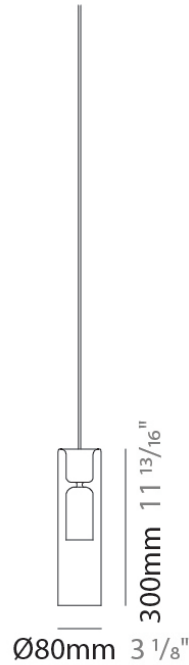
Shape: Cylinder  
 Diameter (mm): 80  
 Diameter (in): 3 1/8  
 Height (mm): 300  
 Height (in): 11 13/16  
 Max. Overall Height (mm): 1800  
 Max. Overall Height (in): 70 7/8  
 Weight (kg): 0.80  
 Weight (lbs): 1.76  
 Fixture Finish: AMB / GRN / PNK / RUB / SMK / TOB / TRA / RGD / TIM  
 Holder Finish: CHR  
 Fixture Material: Glass / Metal  
 Primary Material: Glass - Borosilicate  
 Cable Details: 1500mm Cable

#### ELECTRICAL

Number of Lamps: 1  
 Lamp Type: LED Retrofit  
 Bulb Included: Bulb Not Included  
 Max. Wattage Per Lamp (W): 3  
 Lamp Base: G9  
 Input Voltage (V): 120

#### RATINGS AND CERTIFICATIONS

Certified By: Certified for North American Standards  
 IP rating: IP20



## D14TAO-MOD-SYS COMPONENTS SUSPENSION

### D141114-

#### DESCRIPTION

Tao - Suspension - 100mm - 1 x Max. 8W LED Retrofit - E26 - without Canopy

#### GENERAL

Series: Tao  
 Subseries: Tao Modular System  
 Partner: Cangini & Tucci  
 Division: Design  
 Installation: Suspension  
 Product Type: Clusters  
 Mounting Location: Ceiling

#### PHYSICAL

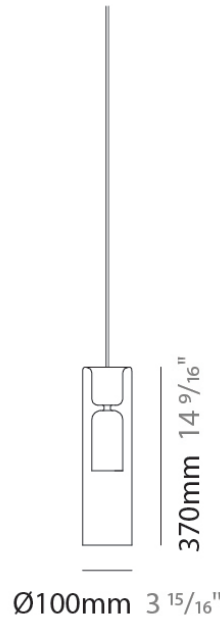
Shape: Cylinder  
 Diameter (mm): 100  
 Diameter (in): 3 <sup>15</sup>/<sub>16</sub>  
 Height (mm): 370  
 Height (in): 14 <sup>9</sup>/<sub>16</sub>  
 Max. Overall Height (mm): 1870  
 Max. Overall Height (in): 73 <sup>5</sup>/<sub>8</sub>  
 Weight (kg): 1.5  
 Weight (lbs): 3.31  
 Fixture Finish: AMB / GRN / PNK / RUB / SMK / TOB / TRA / RGD / TIM  
 Holder Finish: CHR  
 Fixture Material: Glass / Metal  
 Primary Material: Glass - Borosilicate  
 Cable Details: 1500mm Cable

#### ELECTRICAL

Number of Lamps: 1  
 Lamp Type: LED Retrofit  
 Bulb Included: Bulb Not Included  
 Max. Wattage Per Lamp (W): 8  
 Lamp Base: E26  
 Input Voltage (V): 120  
 Upon Request: GU24 / 277Vac

#### RATINGS AND CERTIFICATIONS

Certified By: Certified for North American Standards  
 IP rating: IP20



## D14TAO-MOD-SYS COMPONENTS

### D149001-

#### DESCRIPTION

Single 120mm - Round Canopy

#### GENERAL

Partner: Cangini & Tucci

Division: Design

#### PHYSICAL

Shape: Round

Diameter (mm): 120

Diameter (in): 4 <sup>3</sup>/<sub>4</sub>

Height (mm): 30

Height (in): 1 <sup>3</sup>/<sub>16</sub>

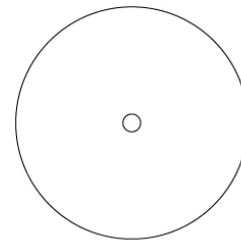
Fixture Finish: CHR / BCR / MBK / MWH

Fixture Material: Metal

#### RATINGS AND CERTIFICATIONS

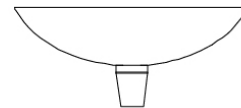
Certified By: Certified for North American Standards

IP rating: IP20



Ø120mm 4 <sup>3</sup>/<sub>4</sub>"

1 <sup>3</sup>/<sub>16</sub>"  
30mm



## D14TAO-MOD-SYS COMPONENTS

### D149006-

#### DESCRIPTION

Round Canopy - 95mm - 3 Holes

#### GENERAL

Partner: Cangini & Tucci

Division: Design

#### PHYSICAL

Shape: Round

Diameter (mm): 120

Diameter (in): 4 ¾

Height (mm): 25

Height (in): 1

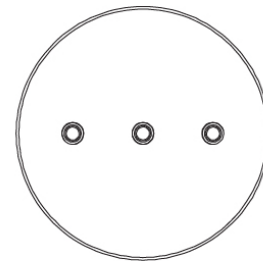
Fixture Finish: CHR / BCR / MBK / MWH

Fixture Material: Metal

#### RATINGS AND CERTIFICATIONS

Certified By: Certified for North American Standards

IP rating: IP20



Ø120mm 4 ¾"

1"  
25mm



## D14TAO-MOD-SYS COMPONENTS

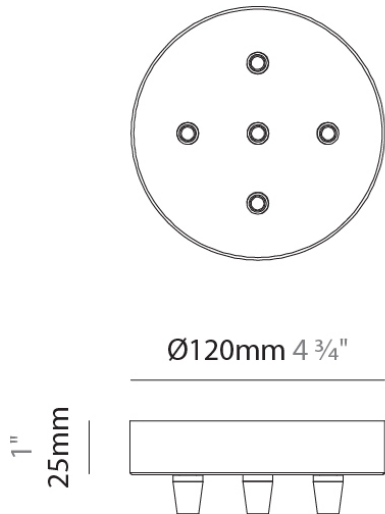
### D149007-

**DESCRIPTION**  
 Round Canopy - 120mm - 5 Holes

**GENERAL**  
 Partner: Cangini & Tucci  
 Division: Design

**PHYSICAL**  
 Shape: Round  
 Diameter (mm): 120  
 Diameter (in): 4 ¾  
 Height (mm): 25  
 Height (in): 1  
 Fixture Finish: CHR / BCR / MBK / MWH  
 Fixture Material: Metal

**RATINGS AND CERTIFICATIONS**  
 Certified By: Certified for North American Standards  
 IP rating: IP20



## D14TAO-MOD-SYS COMPONENTS

PROJECT	_____
TYPE	_____
NOTES	_____
QUANTITY	_____
DATE	_____

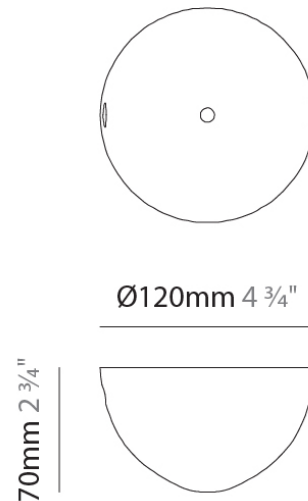
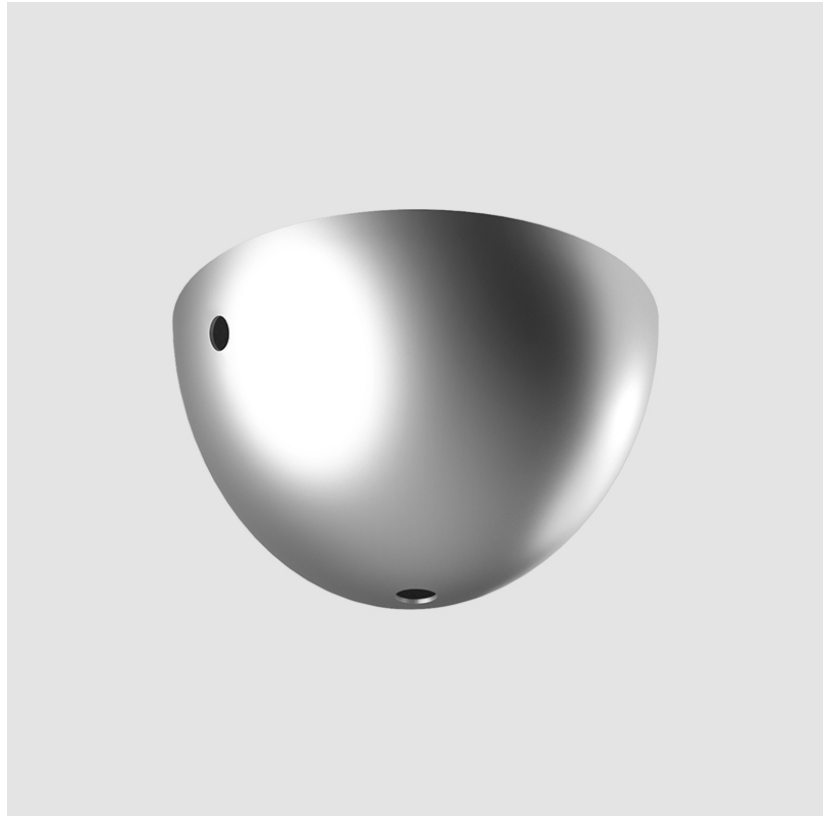
### D149008-

**DESCRIPTION**  
Single 120mm - Round Cone Canopy - 2 External Holes + 1 Central Hole

**GENERAL**  
Partner: Cangini & Tucci  
Division: Design

**PHYSICAL**  
Shape: Round  
Diameter (mm): 120  
Diameter (in): 4 ¾  
Height (mm): 70  
Height (in): 2 ¾  
Fixture Finish: CHR / BCR / MBK / MWH  
Fixture Material: Metal

**RATINGS AND CERTIFICATIONS**  
Certified By: Certified for North American Standards  
IP rating: IP20



## D14TAO-MOD-SYS COMPONENTS

### D149009-

#### DESCRIPTION

Single 120mm - Round Cone Canopy - 4 External Holes + 1 Central Hole

#### GENERAL

Partner: Cangini & Tucci

Division: Design

#### PHYSICAL

Shape: Round

Diameter (mm): 120

Diameter (in): 4 <sup>3</sup>/<sub>4</sub>

Height (mm): 90

Height (in): 3 <sup>9</sup>/<sub>16</sub>

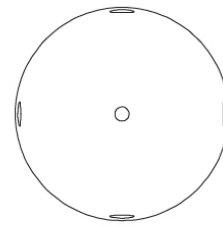
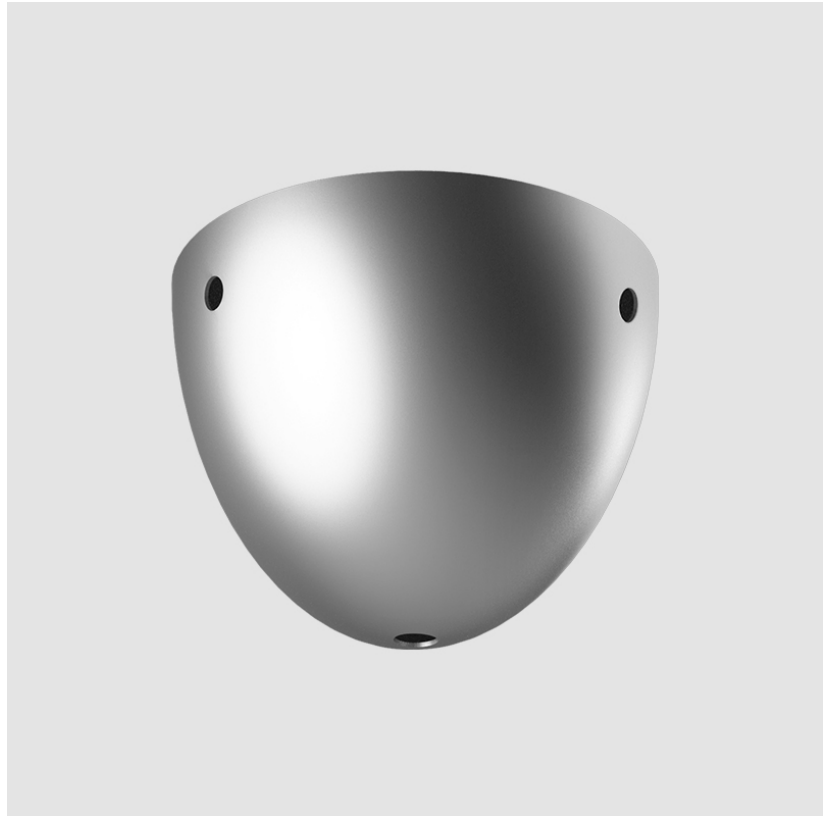
Fixture Finish: CHR / BCR / MBK / MWH

Fixture Material: Metal

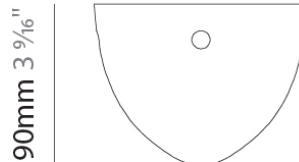
#### RATINGS AND CERTIFICATIONS

Certified By: Certified for North American Standards

IP rating: IP20



Ø120mm 4 <sup>3</sup>/<sub>4</sub>"



90mm 3 <sup>9</sup>/<sub>16</sub>"



## D14TAO-MOD-SYS COMPONENTS

### D149012-

#### DESCRIPTION

Accessory - Wall Stud Cable Spacer

#### GENERAL

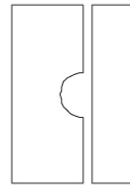
Series: Flute  
 Partner: Cangini & Tucci  
 Division: Design

#### PHYSICAL

Fixture Finish: CHR / BCR / MBK / MWH  
 Fixture Material: Metal

#### RATINGS AND CERTIFICATIONS

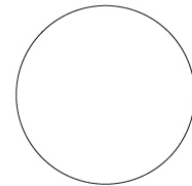
Certified By: Certified for North American Standards  
 IP rating: IP20



20mm  $\frac{13}{16}$ "



10mm  $\frac{3}{8}$ "



20mm  $\frac{13}{16}$ "



PROJECT	
TYPE	
NOTES	
QUANTITY	
DATE	

## D14TAO-MOD-SYS COMPONENTS

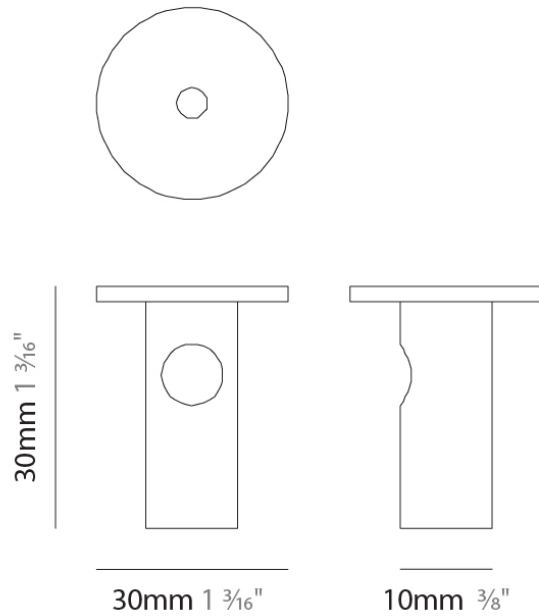
### D149013-

**DESCRIPTION**  
Accessory - Ceiling Cable Spacer

**GENERAL**  
Series: Flute  
Partner: Cangini & Tucci  
Division: Design

**PHYSICAL**  
Fixture Finish: CHR / BCR / MBK / MWH  
Fixture Material: Metal

**RATINGS AND CERTIFICATIONS**  
Certified By: Certified for North American Standards  
IP rating: IP20



PROJECT	
TYPE	
NOTES	
QUANTITY	
DATE	

## D14TAO-MOD-SYS COMPONENTS

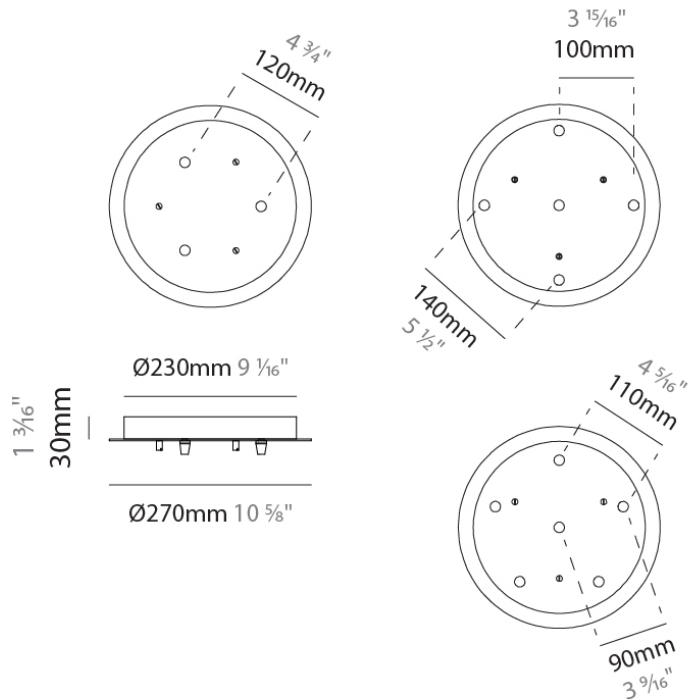
### D149014-

**DESCRIPTION**  
 Round Canopy - 270mm - for 3 - 5 - 6 lights

**GENERAL**  
 Partner: Cangini & Tucci  
 Division: Design

**PHYSICAL**  
 Shape: Round  
 Diameter (mm): 270  
 Diameter (in): 10 <sup>5</sup>/<sub>8</sub>  
 Height (mm): 30  
 Height (in): 1 <sup>3</sup>/<sub>16</sub>  
 Fixture Finish: CHR / BCR / MBK / MWH  
 Fixture Material: Metal

**RATINGS AND CERTIFICATIONS**  
 Certified By: Certified for North American Standards  
 IP rating: IP20



PROJECT	
TYPE	
NOTES	
QUANTITY	
DATE	

## D14TAO-MOD-SYS COMPONENTS

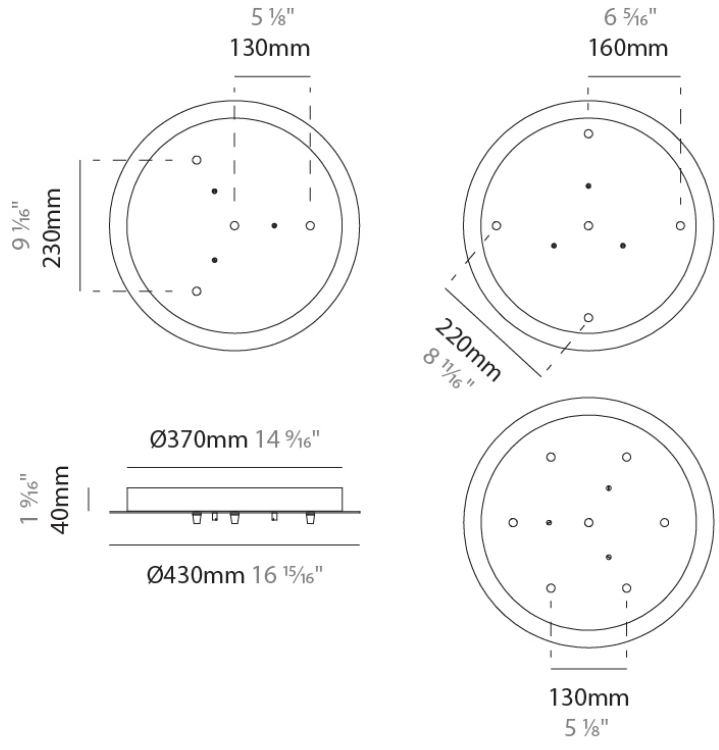
### D149015-

**DESCRIPTION**  
Round Canopy - 430mm - for 3 - 5 - 6 - 7 - 8 - 9 - 10 -11 lights

**GENERAL**  
Partner: Cangini & Tucci  
Division: Design

**PHYSICAL**  
Shape: Round  
Diameter (mm): 430  
Diameter (in): 16 <sup>15</sup>/<sub>16</sub>  
Height (mm): 40  
Height (in): 1 <sup>9</sup>/<sub>16</sub>  
Fixture Finish: CHR / BCR / MBK / MWH  
Fixture Material: Metal

**RATINGS AND CERTIFICATIONS**  
Certified By: Certified for North American Standards  
IP rating: IP20



PROJECT	
TYPE	
NOTES	
QUANTITY	
DATE	

## D14TAO-MOD-SYS COMPONENTS

### D149016-

#### DESCRIPTION

Round Canopy - 500mm - for 3 - 4 - 5 lights

#### GENERAL

Partner: Cangini & Tucci

Division: Design

#### PHYSICAL

Shape: Round

Diameter (mm): 500

Diameter (in): 19 11/16"

Height (mm): 40

Height (in): 1 9/16"

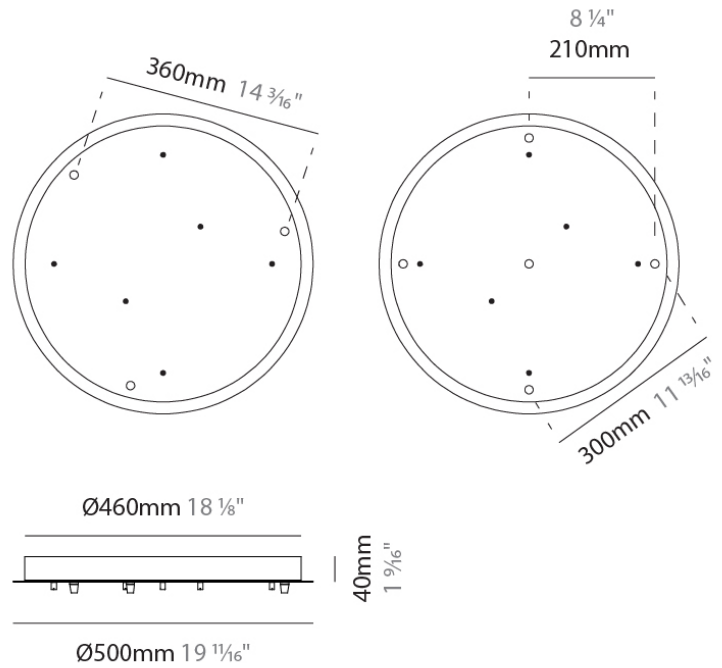
Fixture Finish: CHR / BCR / MBK / MWH

Fixture Material: Metal

#### RATINGS AND CERTIFICATIONS

Certified By: Certified for North American Standards

IP rating: IP20



## D14TAO-MOD-SYS COMPONENTS

PROJECT	
TYPE	
NOTES	
QUANTITY	
DATE	

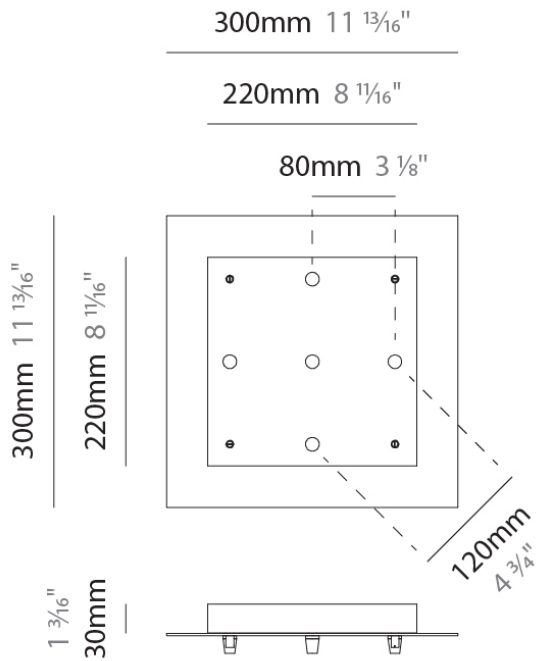
### D149017-

**DESCRIPTION**  
 Square Canopy - 300mm - for 5 lights

**GENERAL**  
 Partner: Cangini & Tucci  
 Division: Design

**PHYSICAL**  
 Shape: Square  
 Length (mm): 300  
 Length (in): 11 <sup>13</sup>/<sub>16</sub>"  
 Width (mm): 300  
 Width (in): 11 <sup>13</sup>/<sub>16</sub>"  
 Height (mm): 30  
 Height (in): 1 <sup>3</sup>/<sub>16</sub>"  
 Fixture Finish: CHR / BCR / MBK / MWH  
 Fixture Material: Metal

**RATINGS AND CERTIFICATIONS**  
 Certified By: Certified for North American Standards  
 IP rating: IP20



## D14TAO-MOD-SYS COMPONENTS

PROJECT	
TYPE	
NOTES	
QUANTITY	
DATE	

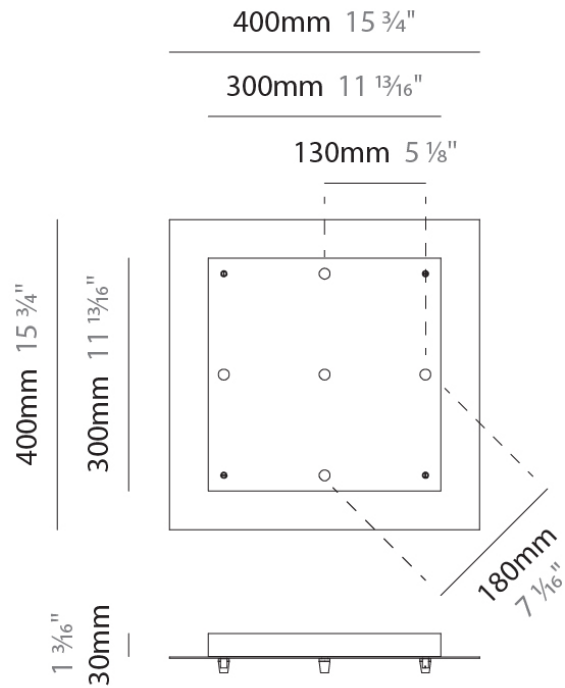
### D149018-

**DESCRIPTION**  
 Square Canopy - 400mm - for 5 lights

**GENERAL**  
 Partner: Cangini & Tucci  
 Division: Design

**PHYSICAL**  
 Shape: Square  
 Length (mm): 400  
 Length (in): 15 3/4  
 Width (mm): 400  
 Width (in): 15 3/4  
 Height (mm): 30  
 Height (in): 1 3/16  
 Fixture Finish: CHR / BCR / MBK / MWH  
 Fixture Material: Metal

**RATINGS AND CERTIFICATIONS**  
 Certified By: Certified for North American Standards  
 IP rating: IP20



## D14TAO-MOD-SYS COMPONENTS

PROJECT	
TYPE	
NOTES	
QUANTITY	
DATE	

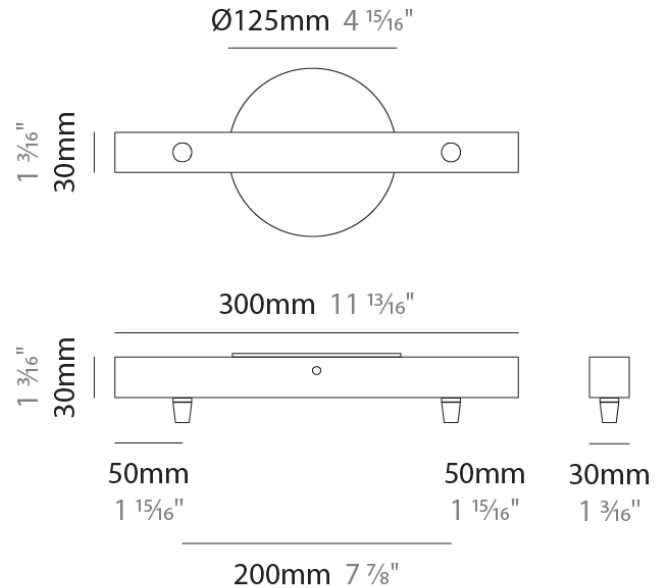
### D149019-

**DESCRIPTION**  
Slim Linear Canopy - 300mm - 2 lights

**GENERAL**  
Partner: Cangini & Tucci  
Division: Design

**PHYSICAL**  
Shape: Rectangle  
Length (mm): 300  
Length (in): 11 <sup>13</sup>/<sub>16</sub>"  
Width (mm): 30  
Width (in): 1 <sup>3</sup>/<sub>16</sub>"  
Height (mm): 30  
Height (in): 1 <sup>3</sup>/<sub>16</sub>"  
Fixture Finish: CHR / BCR / MBK / MWH  
Fixture Material: Metal

**RATINGS AND CERTIFICATIONS**  
Certified By: Certified for North American Standards  
IP rating: IP20



## D14TAO-MOD-SYS COMPONENTS

PROJECT	
TYPE	
NOTES	
QUANTITY	
DATE	

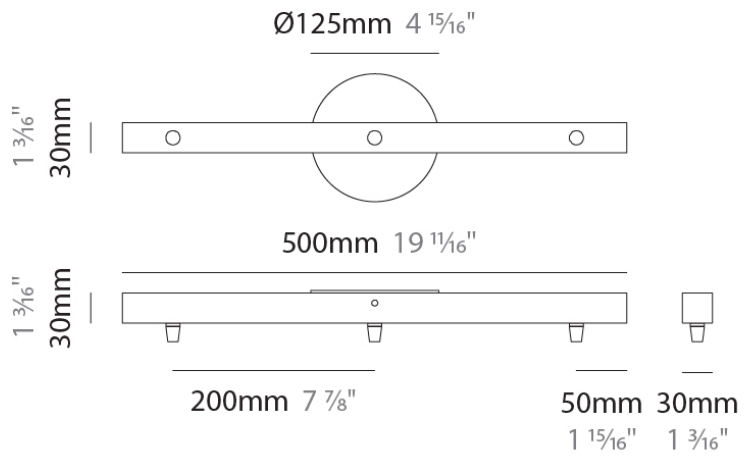
### D149020-

**DESCRIPTION**  
Slim Linear Canopy - 500mm - 3 lights

**GENERAL**  
Partner: Cangini & Tucci  
Division: Design

**PHYSICAL**  
Shape: Rectangle  
Length (mm): 500  
Length (in): 19 11/16  
Width (mm): 30  
Width (in): 1 3/16  
Height (mm): 30  
Height (in): 1 3/16  
Fixture Finish: CHR / BCR / MBK / MWH  
Fixture Material: Metal

**RATINGS AND CERTIFICATIONS**  
Certified By: Certified for North American Standards  
IP rating: IP20



### LEGEND

	floor-mounted		pivotable		special LED (upon request) RGB, RGBW, tunable, gold+, meat+, art+, fashion+
	wall and ceiling: recessed and surface mounted		rotating		warm dim / natural dimming LED
	ceiling-mounted and wall-mounted		illuminate tilted		rechargeable battery powered
	wall-mounted		color of suspension cable		fixture with natural vivid LED (upon request)
	omni-directional light distribution		length of suspension cable		color rendering index
	direct light distribution		reflector degree selection		color temperature
	direct/indirect light distribution		super spot		lumen (luminous flux)
	indirect light distribution		lens		efficacy (lumens per watt)
	asymmetric light distribution		lens pack		Unified Glare Rating (UGR) range from 5-40
	aura light distribution		shine ring		marine grade (AISI 316 stainless steel)
	round wall or ceiling cut-out		integrated shine ring with diffuser		walk on
	square wall or ceiling cut-out		free individual colors 01-29		drive on
	the supplied jig specifies the cutout dimensions		individual colors: 00 (free of charge), 01-25 (extra charge)		Dark Sky Compliance
	minimum distance (meters) lamp - object		luminaire part to be colored (F1)		Americans with Disabilities Act (less than 4" off the wall located between 27"-84" from floor)
	recessed depth		luminaire part to be colored (F2)		lamp protected against explosion
	ceiling thickness in mm		luminaire part to be colored (F3)		blown glass using traditional methods by master glass blower
	ceiling thickness selection		luminaire part to be colored (F4)		acoustic material
	dimmable DP (phase), DV (0-10V), DD (dali), DS (step-dim)		luminaire part to be colored (F5)		protection class I, protection insulation
	included or excluded LED driver/transformer/control gear		color of 3-circuit adaptor		protection class II, protection insulation
	separately switchable		indirect diffuser		ETL Certified to UL and CSA Standards
	sensor		direct diffuser		UL Certified to UL and CSA Standards
	remote control		ball-proof (upon request)		CSA Certified to UL and CSA Standards
	available upon request		accessory		Certified for North American Standards

### IP RATING

	protected against ingress of solid bodies greater than 12.5mm (finger)
	protected against ingress of solid bodies greater than 2.5mm protected against sprays of water up to 60 degrees from the vertical (rain)
	protected against ingress of solid bodies greater than 1mm (wire) no protection against the ingress of moisture
	protected against ingress of solid bodies greater than 1mm (wire) protected against sprays of water up to 60 degrees from the vertical (rain)
	protected against ingress of solid bodies greater than 1mm (wire) protected against water splashed from all directions
	protected against limited ingress of dust (wet rooms/covered outdoor areas) protected against water splashed from all directions
	protected against ingress of dust protected against jets of water
	protected against ingress of dust protected against powerful jets of water or heavy seas
	protected against ingress of dust protected against immersion of water between 15cm - 1m for 30 minutes
	protected against ingress of dust protected against immersion of water under pressure for long periods

### IK RATING

	protected against 0.14 joules impact (equivalent to 0.25kg mass dropped from 56mm above the surface)
	protected against 0.2 joules impact (equivalent to 0.25kg mass dropped from 80mm above the surface)
	protected against 0.35 joules impact (equivalent to 0.25kg mass dropped from 140mm above the surface)
	protected against 0.5 joules impact (equivalent to 0.25kg mass dropped from 200mm above the surface)
	protected against 0.7 joules impact (equivalent to 0.25kg mass dropped from 280mm above the surface)
	protected against 1 joules impact (equivalent to 0.25kg mass dropped from 400mm above the surface)
	protected against 2 joules impact (equivalent to 0.5kg mass dropped from 400mm above the surface)
	protected against 5 joules impact (equivalent to 1.7kg mass dropped from 300mm above the surface)
	protected against 10 joules impact (equivalent to 5.0kg mass dropped from 200mm above the surface)
	protected against 20 joules impact (equivalent to 5.0kg mass dropped from 400mm above the surface)