

PROJECT	
TYPE	
NOTES	
QUANTITY	
DATE	

D14ZOE-MOD-SYS COMPONENTS SUSPENSION

D141124-

DESCRIPTION

Zoe - Suspension - 160mm - 1 x Max. 5W LED Retrofit - G9 - without Canopy

GENERAL

Series: Zoe
 Subseries: Zoe Modular System
 Partner: Cangini & Tucci
 Division: Design
 Installation: Suspension
 Product Type: Pendant
 Mounting Location: Ceiling

PHYSICAL

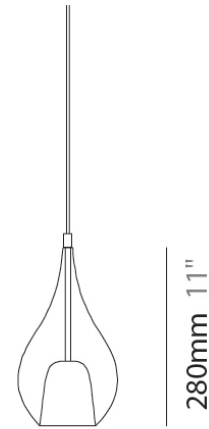
Shape: Teardrop
 Diameter (mm): 160
 Diameter (in): 6 ⁵/₁₆
 Height (mm): 280
 Height (in): 11
 Max. Overall Height (mm): 1780
 Max. Overall Height (in): 70 ¹/₁₆
 Weight (kg): 2.50
 Weight (lbs): 5.51
 Diffuser: Glass - Opal
 Fixture Finish: AMB / BLK / BRZ / GLD / GRN / PNK / RGD / RUB / SKB / SMK / STE / TOB / TRA
 Holder Finish: CHR / MWH / MBK / BCR
 Fixture Material: Glass / Metal
 Primary Material: Glass - Borosilicate
 Cable Details: 1500mm cable

ELECTRICAL

Number of Lamps: 1
 Lamp Type: LED Retrofit
 Bulb Included: Bulb Not Included
 Max. Wattage Per Lamp (W): 5
 Lamp Base: G9
 Input Voltage (V): 120

RATINGS AND CERTIFICATIONS

Certified By: Certified for North American Standards
 IP rating: IP20



Ø160mm 6 ⁵/₁₆"



PROJECT
TYPE
NOTES
QUANTITY
DATE

D14ZOE-MOD-SYS COMPONENTS SUSPENSION

D141125-

DESCRIPTION

Zoe - Suspension - 220mm - Max. 1 x 16W LED Retrofit - E26 - without Canopy

GENERAL

Series: Zoe
 Subseries: Zoe Modular System
 Partner: Cangini & Tucci
 Division: Design
 Installation: Suspension
 Product Type: Pendant
 Mounting Location: Ceiling

PHYSICAL

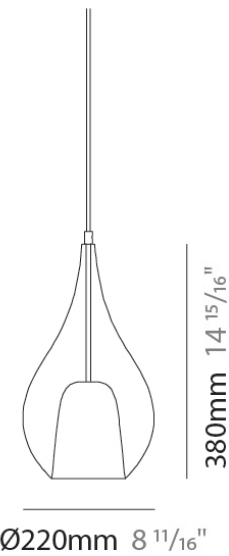
Shape: Teardrop
 Diameter (mm): 220
 Diameter (in): 8 ¹¹/₁₆
 Height (mm): 380
 Height (in): 14 ¹⁵/₁₆
 Max. Overall Height (mm): 1880
 Max. Overall Height (in): 74
 Weight (kg): 1.51
 Weight (lbs): 3.33
 Diffuser: Glass - Opal
 Fixture Finish: AMB / BLK / BRZ / GLD / GRN / PNK / RGD / RUB / SKB / SMK / STE / TOB / TRA
 Holder Finish: CHR / MWH / MBK / BCR
 Fixture Material: Glass / Metal
 Primary Material: Glass - Borosilicate
 Cable Details: 1500mm cable

ELECTRICAL

Number of Lamps: 1
 Lamp Type: LED Retrofit
 Lamp Shape: A19
 Bulb Included: Bulb Not Included
 Max. Wattage Per Lamp (W): 16
 Lamp Base: E26
 Input Voltage (V): 120
 Upon Request: 277Vac / GU24

RATINGS AND CERTIFICATIONS

Certified By: Certified for North American Standards
 IP rating: IP20



PROJECT	
TYPE	
NOTES	
QUANTITY	
DATE	

D14ZOE-MOD-SYS COMPONENTS SUSPENSION

D141126-

DESCRIPTION

Zoe - Suspension - 300mm - 1 x Max. 16W LED Retrofit - E26 - without Canopy

GENERAL

Series: Zoe
 Subseries: Zoe Modular System
 Partner: Cangini & Tucci
 Division: Design
 Installation: Suspension
 Product Type: Pendant
 Mounting Location: Ceiling

PHYSICAL

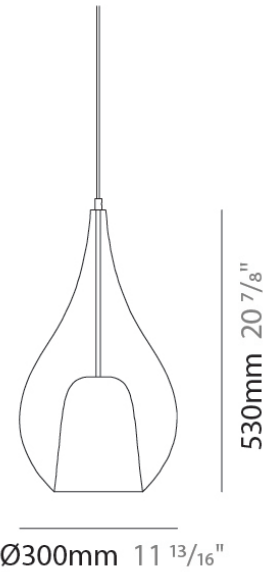
Shape: Teardrop
 Diameter (mm): 300
 Diameter (in): 11 ¹³/₁₆
 Height (mm): 530
 Height (in): 20 ⁷/₈
 Max. Overall Height (mm): 2030
 Max. Overall Height (in): 79 ¹⁵/₁₆
 Diffuser: Glass - Opal
 Fixture Finish: AMB / BLK / GRN / PNK / RGD / RUB / SKB / SMK / SWT / TOB / TRA
 Holder Finish: CHR / MWH / MBK / BCR
 Fixture Material: Glass / Metal
 Primary Material: Glass - Borosilicate
 Cable Details: 1500mm Cable

ELECTRICAL

Number of Lamps: 1
 Lamp Type: LED Retrofit
 Lamp Shape: A19
 Bulb Included: Bulb Not Included
 Max. Wattage Per Lamp (W): 16
 Lamp Base: E26
 Input Voltage (V): 120
 Upon Request: 277Vac / GU24

RATINGS AND CERTIFICATIONS

Certified By: Certified for North American Standards
 IP rating: IP20



D14ZOE-MOD-SYS COMPONENTS

D149001-

DESCRIPTION

Single 120mm - Round Canopy

GENERAL

Partner: Cangini & Tucci

Division: Design

PHYSICAL

Shape: Round

Diameter (mm): 120

Diameter (in): 4 3/4

Height (mm): 30

Height (in): 1 3/16

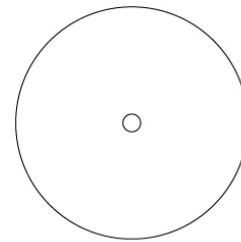
Fixture Finish: CHR / BCR / MBK / MWH

Fixture Material: Metal

RATINGS AND CERTIFICATIONS

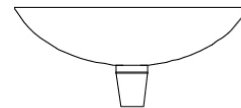
Certified By: Certified for North American Standards

IP rating: IP20



Ø120mm 4 3/4"

1 3/16"
30mm



D14ZOE-MOD-SYS COMPONENTS

D149006-

DESCRIPTION

Round Canopy - 95mm - 3 Holes

GENERAL

Partner: Cangini & Tucci

Division: Design

PHYSICAL

Shape: Round

Diameter (mm): 120

Diameter (in): 4 ¾

Height (mm): 25

Height (in): 1

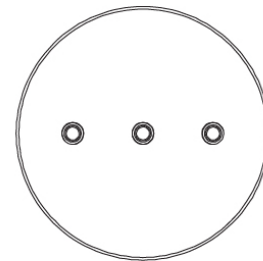
Fixture Finish: CHR / BCR / MBK / MWH

Fixture Material: Metal

RATINGS AND CERTIFICATIONS

Certified By: Certified for North American Standards

IP rating: IP20



Ø120mm 4 ¾"

1"
25mm



D14ZOE-MOD-SYS COMPONENTS

PROJECT	_____
TYPE	_____
NOTES	_____
QUANTITY	_____
DATE	_____

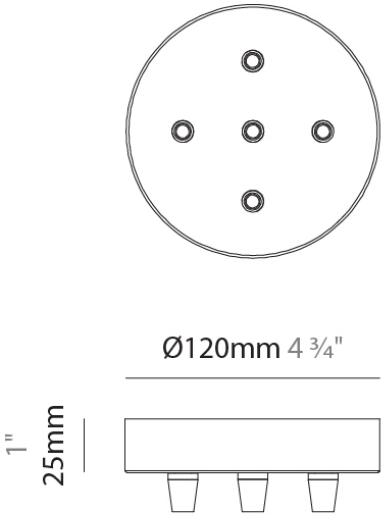
D149007-

DESCRIPTION
Round Canopy - 120mm - 5 Holes

GENERAL
Partner: Cangini & Tucci
Division: Design

PHYSICAL
Shape: Round
Diameter (mm): 120
Diameter (in): 4 ¾
Height (mm): 25
Height (in): 1
Fixture Finish: CHR / BCR / MBK / MWH
Fixture Material: Metal

RATINGS AND CERTIFICATIONS
Certified By: Certified for North American Standards
IP rating: IP20



D14ZOE-MOD-SYS COMPONENTS

PROJECT	_____
TYPE	_____
NOTES	_____
QUANTITY	_____
DATE	_____

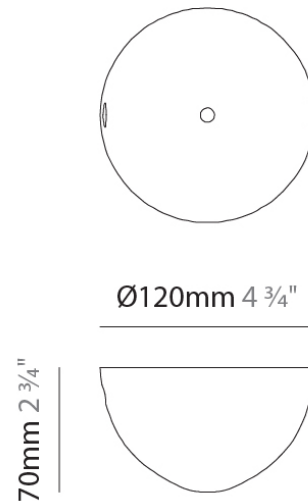
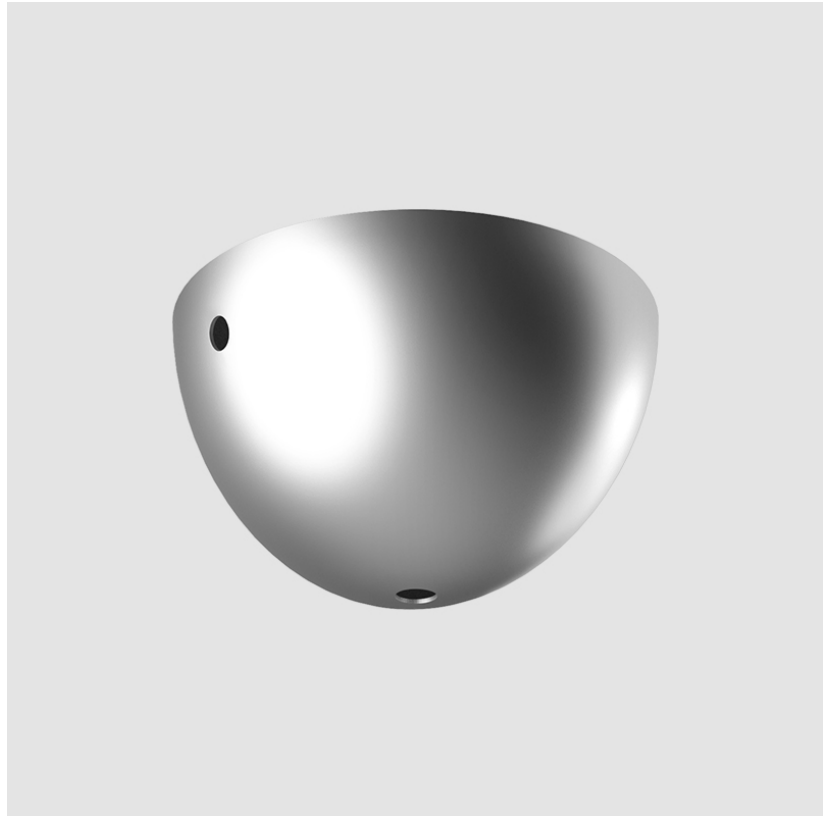
D149008-

DESCRIPTION
Single 120mm - Round Cone Canopy - 2 External Holes + 1 Central Hole

GENERAL
Partner: Cangini & Tucci
Division: Design

PHYSICAL
Shape: Round
Diameter (mm): 120
Diameter (in): 4 ¾
Height (mm): 70
Height (in): 2 ¾
Fixture Finish: CHR / BCR / MBK / MWH
Fixture Material: Metal

RATINGS AND CERTIFICATIONS
Certified By: Certified for North American Standards
IP rating: IP20



D14ZOE-MOD-SYS COMPONENTS

D149009-

DESCRIPTION

Single 120mm - Round Cone Canopy - 4 External Holes + 1 Central Hole

GENERAL

Partner: Cangini & Tucci

Division: Design

PHYSICAL

Shape: Round

Diameter (mm): 120

Diameter (in): 4 ³/₄

Height (mm): 90

Height (in): 3 ⁹/₁₆

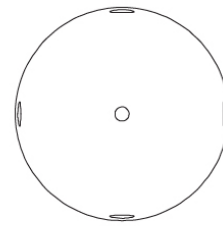
Fixture Finish: CHR / BCR / MBK / MWH

Fixture Material: Metal

RATINGS AND CERTIFICATIONS

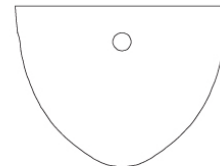
Certified By: Certified for North American Standards

IP rating: IP20



Ø120mm 4 ³/₄"

90mm 3 ⁹/₁₆"



D14ZOE-MOD-SYS COMPONENTS

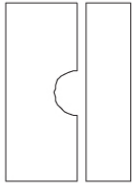
D149012-

DESCRIPTION
 Accessory - Wall Stud Cable Spacer

GENERAL
 Series: Flute
 Partner: Cangini & Tucci
 Division: Design

PHYSICAL
 Fixture Finish: CHR / BCR / MBK / MWH
 Fixture Material: Metal

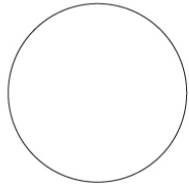
RATINGS AND CERTIFICATIONS
 Certified By: Certified for North American Standards
 IP rating: IP20



20mm $\frac{13}{16}$ "



10mm $\frac{3}{8}$ "



20mm $\frac{13}{16}$ "



PROJECT	
TYPE	
NOTES	
QUANTITY	
DATE	

D14ZOE-MOD-SYS COMPONENTS

D149013-

DESCRIPTION

Accessory - Ceiling Cable Spacer

GENERAL

Series: Flute

Partner: Cangini & Tucci

Division: Design

PHYSICAL

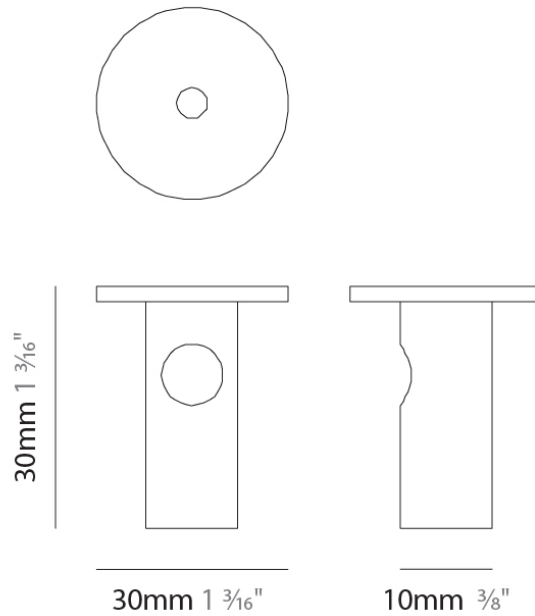
Fixture Finish: CHR / BCR / MBK / MWH

Fixture Material: Metal

RATINGS AND CERTIFICATIONS

Certified By: Certified for North American Standards

IP rating: IP20



D14ZOE-MOD-SYS COMPONENTS

PROJECT	
TYPE	
NOTES	
QUANTITY	
DATE	

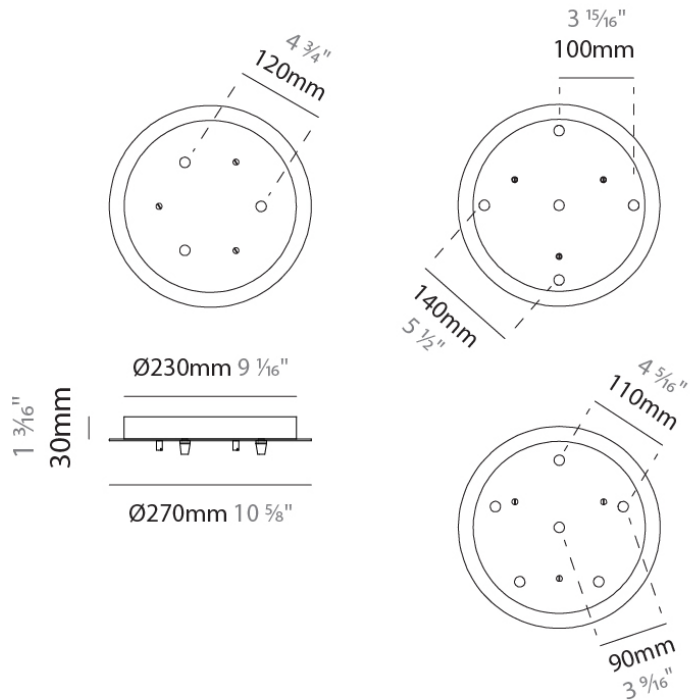
D149014-

DESCRIPTION
 Round Canopy - 270mm - for 3 - 5 - 6 lights

GENERAL
 Partner: Cangini & Tucci
 Division: Design

PHYSICAL
 Shape: Round
 Diameter (mm): 270
 Diameter (in): 10 ⁵/₈
 Height (mm): 30
 Height (in): 1 ³/₁₆
 Fixture Finish: CHR / BCR / MBK / MWH
 Fixture Material: Metal

RATINGS AND CERTIFICATIONS
 Certified By: Certified for North American Standards
 IP rating: IP20



D14ZOE-MOD-SYS COMPONENTS

PROJECT	
TYPE	
NOTES	
QUANTITY	
DATE	

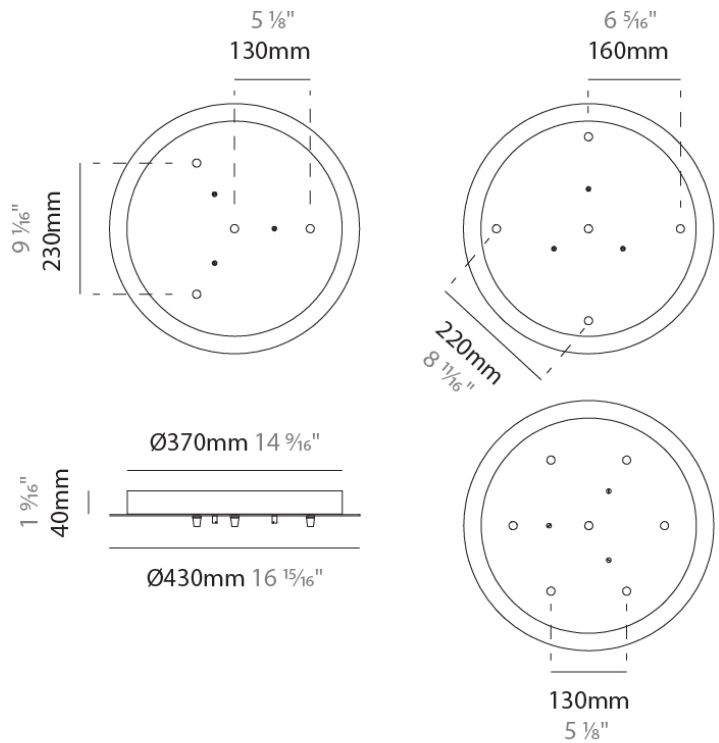
D149015-

DESCRIPTION
 Round Canopy - 430mm - for 3 - 5 - 6 - 7 - 8 - 9 - 10 -11 lights

GENERAL
 Partner: Cangini & Tucci
 Division: Design

PHYSICAL
 Shape: Round
 Diameter (mm): 430
 Diameter (in): 16 ¹⁵/₁₆
 Height (mm): 40
 Height (in): 1 ⁹/₁₆
 Fixture Finish: CHR / BCR / MBK / MWH
 Fixture Material: Metal

RATINGS AND CERTIFICATIONS
 Certified By: Certified for North American Standards
 IP rating: IP20



PROJECT	
TYPE	
NOTES	
QUANTITY	
DATE	

D14ZOE-MOD-SYS COMPONENTS

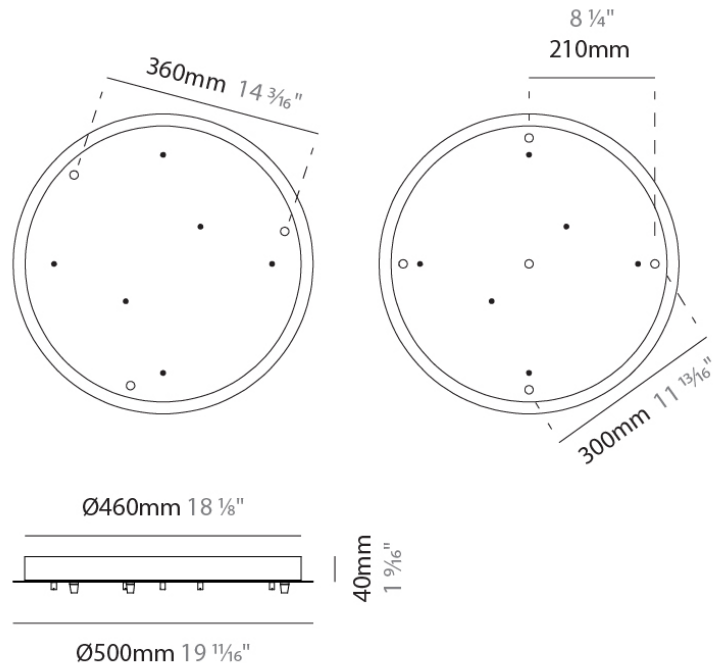
D149016-

DESCRIPTION
 Round Canopy - 500mm - for 3 - 4 - 5 lights

GENERAL
 Partner: Cangini & Tucci
 Division: Design

PHYSICAL
 Shape: Round
 Diameter (mm): 500
 Diameter (in): 19 11/16
 Height (mm): 40
 Height (in): 1 9/16
 Fixture Finish: CHR / BCR / MBK / MWH
 Fixture Material: Metal

RATINGS AND CERTIFICATIONS
 Certified By: Certified for North American Standards
 IP rating: IP20



D14ZOE-MOD-SYS COMPONENTS

PROJECT	
TYPE	
NOTES	
QUANTITY	
DATE	

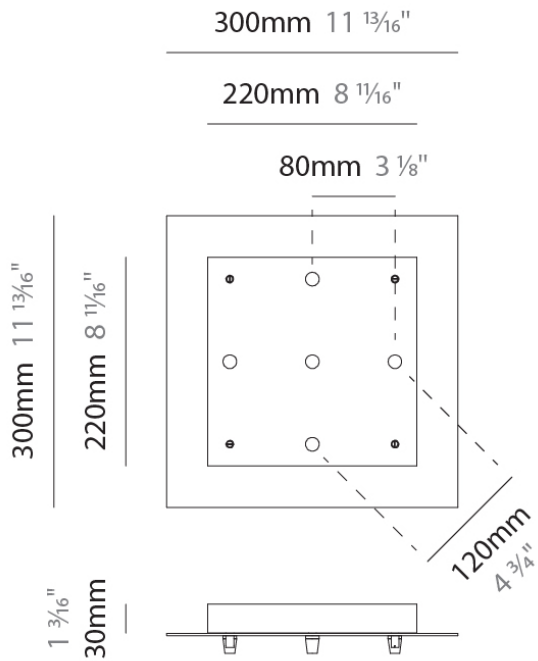
D149017-

DESCRIPTION
 Square Canopy - 300mm - for 5 lights

GENERAL
 Partner: Cangini & Tucci
 Division: Design

PHYSICAL
 Shape: Square
 Length (mm): 300
 Length (in): 11 ¹³/₁₆"
 Width (mm): 300
 Width (in): 11 ¹³/₁₆"
 Height (mm): 30
 Height (in): 1 ³/₁₆"
 Fixture Finish: CHR / BCR / MBK / MWH
 Fixture Material: Metal

RATINGS AND CERTIFICATIONS
 Certified By: Certified for North American Standards
 IP rating: IP20



D14ZOE-MOD-SYS COMPONENTS

PROJECT	
TYPE	
NOTES	
QUANTITY	
DATE	

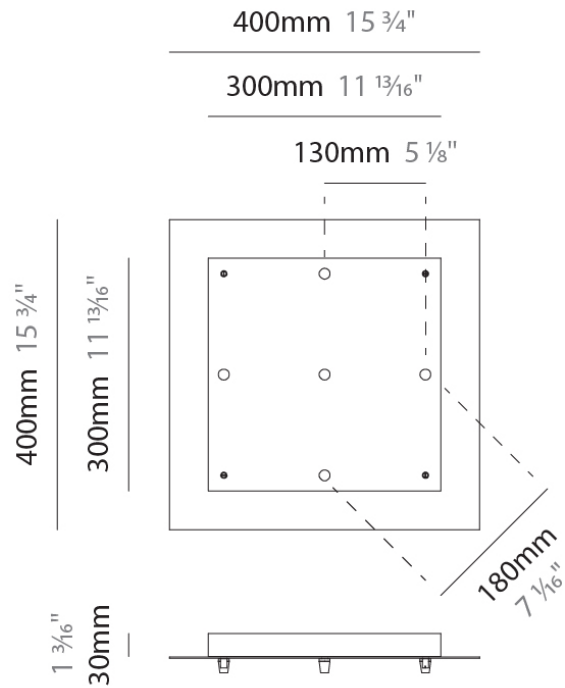
D149018-

DESCRIPTION
 Square Canopy - 400mm - for 5 lights

GENERAL
 Partner: Cangini & Tucci
 Division: Design

PHYSICAL
 Shape: Square
 Length (mm): 400
 Length (in): 15 3/4
 Width (mm): 400
 Width (in): 15 3/4
 Height (mm): 30
 Height (in): 1 3/16
 Fixture Finish: CHR / BCR / MBK / MWH
 Fixture Material: Metal

RATINGS AND CERTIFICATIONS
 Certified By: Certified for North American Standards
 IP rating: IP20



D14ZOE-MOD-SYS COMPONENTS

PROJECT	
TYPE	
NOTES	
QUANTITY	
DATE	

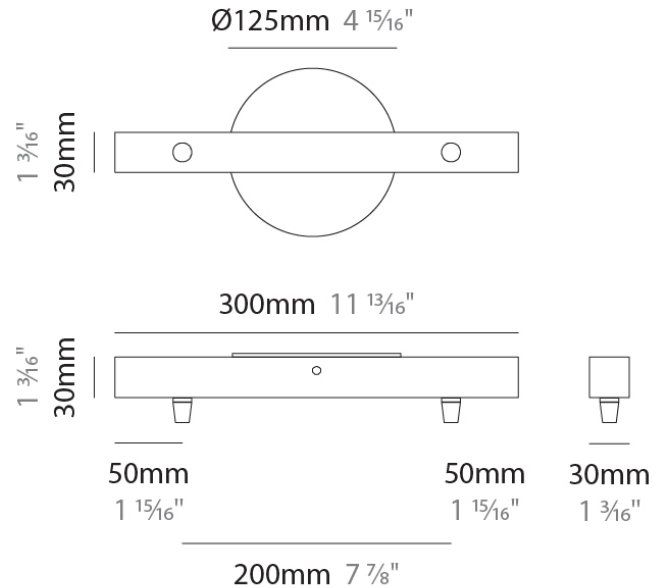
D149019-

DESCRIPTION
Slim Linear Canopy - 300mm - 2 lights

GENERAL
Partner: Cangini & Tucci
Division: Design

PHYSICAL
Shape: Rectangle
Length (mm): 300
Length (in): 11 ¹³/₁₆"
Width (mm): 30
Width (in): 1 ³/₁₆"
Height (mm): 30
Height (in): 1 ³/₁₆"
Fixture Finish: CHR / BCR / MBK / MWH
Fixture Material: Metal

RATINGS AND CERTIFICATIONS
Certified By: Certified for North American Standards
IP rating: IP20



D14ZOE-MOD-SYS COMPONENTS

PROJECT	
TYPE	
NOTES	
QUANTITY	
DATE	

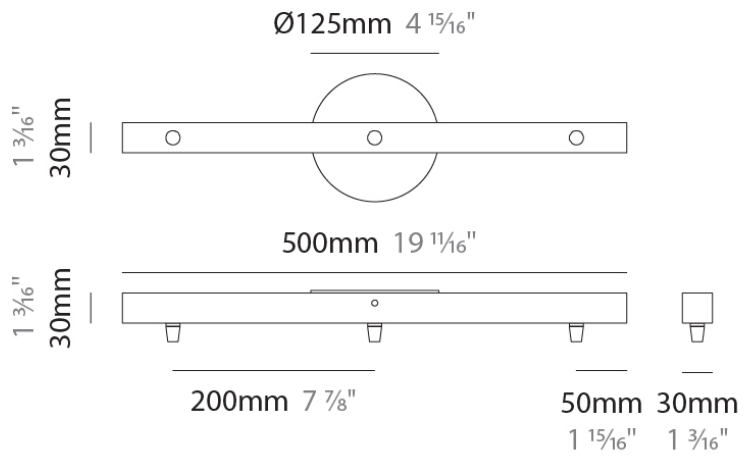
D149020-

DESCRIPTION
Slim Linear Canopy - 500mm - 3 lights

GENERAL
Partner: Cangini & Tucci
Division: Design

PHYSICAL
Shape: Rectangle
Length (mm): 500
Length (in): 19 11/16
Width (mm): 30
Width (in): 1 3/16
Height (mm): 30
Height (in): 1 3/16
Fixture Finish: CHR / BCR / MBK / MWH
Fixture Material: Metal

RATINGS AND CERTIFICATIONS
Certified By: Certified for North American Standards
IP rating: IP20



LEGEND

 floor-mounted	 pivotable	 special LED (upon request) RGB, RGBW, tunable, gold+, meat+, art+, fashion+
 wall and ceiling: recessed and surface mounted	 rotating	 warm dim / natural dimming LED
 ceiling-mounted and wall-mounted	 illuminate tilted	 rechargeable battery powered
 wall-mounted	 color of suspension cable	 fixture with natural vivid LED (upon request)
 omni-directional light distribution	 length of suspension cable	 color rendering index
 direct light distribution	 reflector degree selection	 color temperature
 direct/indirect light distribution	 super spot	 lumen (luminous flux)
 indirect light distribution	 lens	 efficacy (lumens per watt)
 asymmetric light distribution	 lens pack	 Unified Glare Rating (UGR) range from 5-40
 aura light distribution	 shine ring	 marine grade (AISI 316 stainless steel)
 round wall or ceiling cut-out	 integrated shine ring with diffuser	 walk on
 square wall or ceiling cut-out	 free individual colors 01-29	 drive on
 the supplied jig specifies the cutout dimensions	 individual colors: 00 (free of charge), 01-25 (extra charge)	 Dark Sky Compliance
 minimum distance (meters) lamp - object	 luminaire part to be colored (F1)	 Americans with Disabilities Act (less than 4" off the wall located between 27"-84" from floor)
 recessed depth	 luminaire part to be colored (F2)	 lamp protected against explosion
 ceiling thickness in mm	 luminaire part to be colored (F3)	 blown glass using traditional methods by master glass blower
 ceiling thickness selection	 luminaire part to be colored (F4)	 acoustic material
 dimmable DP (phase), DV (0-10V), DD (dali), DS (step-dim)	 luminaire part to be colored (F5)	 protection class I, protection insulation
 included or excluded LED driver/transformer/control gear	 color of 3-circuit adaptor	 protection class II, protection insulation
 separately switchable	 indirect diffuser	 ETL Certified to UL and CSA Standards
 sensor	 direct diffuser	 UL Certified to UL and CSA Standards
 remote control	 ball-proof (upon request)	 CSA Certified to UL and CSA Standards
 available upon request	 accessory	 Certified for North American Standards

IP RATING

 IP20	protected against ingress of solid bodies greater than 12.5mm (finger)
 IP33	protected against ingress of solid bodies greater than 2.5mm protected against sprays of water up to 60 degrees from the vertical (rain)
 IP40	protected against ingress of solid bodies greater than 1mm (wire) no protection against the ingress of moisture
 IP43	protected against ingress of solid bodies greater than 1mm (wire) protected against sprays of water up to 60 degrees from the vertical (rain)
 IP44	protected against ingress of solid bodies greater than 1mm (wire) protected against water splashed from all directions
 IP54	protected against limited ingress of dust (wet rooms/covered outdoor areas) protected against water splashed from all directions
 IP65	protected against ingress of dust protected against jets of water
 IP66	protected against ingress of dust protected against powerful jets of water or heavy seas
 IP67	protected against ingress of dust protected against immersion of water between 15cm - 1m for 30 minutes
 IP68	protected against ingress of dust protected against immersion of water under pressure for long periods

IK RATING

 IK01	protected against 0.14 joules impact (equivalent to 0.25kg mass dropped from 56mm above the surface)
 IK02	protected against 0.2 joules impact (equivalent to 0.25kg mass dropped from 80mm above the surface)
 IK03	protected against 0.35 joules impact (equivalent to 0.25kg mass dropped from 140mm above the surface)
 IK04	protected against 0.5 joules impact (equivalent to 0.25kg mass dropped from 200mm above the surface)
 IK05	protected against 0.7 joules impact (equivalent to 0.25kg mass dropped from 280mm above the surface)
 IK06	protected against 1 joules impact (equivalent to 0.25kg mass dropped from 400mm above the surface)
 IK07	protected against 2 joules impact (equivalent to 0.5kg mass dropped from 400mm above the surface)
 IK08	protected against 5 joules impact (equivalent to 1.7kg mass dropped from 300mm above the surface)
 IK09	protected against 10 joules impact (equivalent to 5.0kg mass dropped from 200mm above the surface)
 IK10	protected against 20 joules impact (equivalent to 5.0kg mass dropped from 400mm above the surface)