

D20METRO-C-SUS-SYS COMPONENTS SUSPENSION

D201028-

DESCRIPTION

Metropolis LED Tube 500 - Suspension - 500mm / 19 11/16" -
2.7W LED - 700mA - 3000K / 4000K - Optics 12° / 28° / 44°

GENERAL

Series: Metropolis

Subseries: Metropolis-Y Modular System

Partner: Zaneen

Division: Design

Installation: Suspension

Product Type: Clusters

Mounting Location: Ceiling

Light Distribution: Downlight

PHYSICAL

Shape: Cylinder

Diameter (mm): 25

Diameter (in): 1

Height (mm): 500

Height (in): 19 11/16

Fixture Finish: BLK / BRZ / IND

Holder Finish: Chrome

Fixture Material: Aluminum

Cable Details: Black or Transparent - 3500mm / 137 13/16"

Upon Request: Cylinder height. Max. 1830 mm / 72". Min 153mm /
6". Min. qty required 50 pcs.

ELECTRICAL

Input Wattage Range: 1 - 9 W

Lamp Type: LED

Input Wattage (W): 2.7

Total Output Wattage (W): 2.4

Dimming: Tri-Mode (Non-Dimming and Phase Dimming (120Vac
only) and 0-10V Dimming)

Driver Included: Yes

Driver Location: See canopy components

Driver Type: Constant Current - Universal

Driver Class: Class 2

Input Voltage (V): 120 - 277

Constant Current (MA): 700

LED

Delivered Lumen Range: 100 - 499 lm

Number of LEDs: 1

Color Temperature (°K): 3000 / 4000

Max. Delivered Lumen (lm): 114 / 122

Nominal Lumen (lm): 124 / 133

CRI: >90 CRI

Lamp Life (hrs): 50000

Upon Request: 3500K

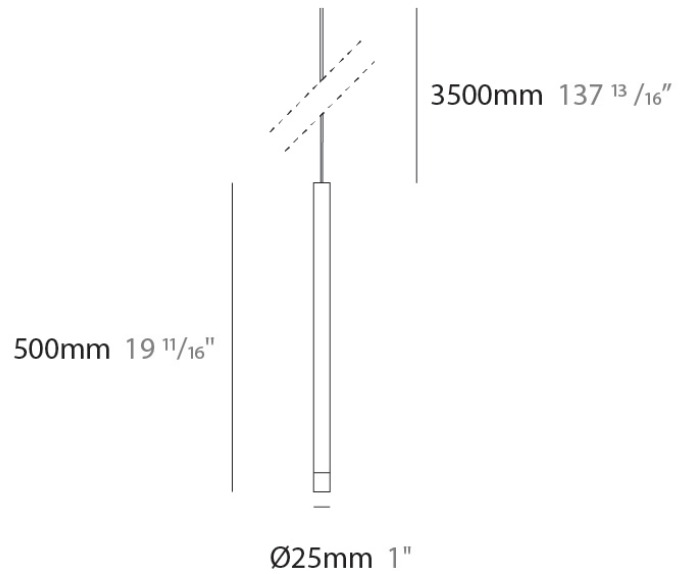
OPTICAL

Optic°: 12 / 28 / 44

RATINGS AND CERTIFICATIONS

Certified By: Certified for North American Standards

IP rating: IP41 (Damp)



D20METRO-C-SUS-SYS COMPONENTS SUSPENSION

D201029-

DESCRIPTION

Metropolis LED Tube 800 - Suspension - 800mm / 31 1/2" - 2.7W
LED - 700mA - 3000K / 4000K - Optics 12° / 28° / 44°

GENERAL

Series: Metropolis

Subseries: Metropolis-Y Modular System

Partner: Zaneen

Division: Design

Installation: Suspension

Product Type: Clusters

Mounting Location: Ceiling

Light Distribution: Downlight

PHYSICAL

Shape: Cylinder

Diameter (mm): 25

Diameter (in): 1

Height (mm): 800

Height (in): 31 1/2

Fixture Finish: BLK / BRZ / IND

Fixture Material: Aluminum

Cable Details: Black or Transparent - 3500mm / 137 13/16"

Upon Request: Cylinder height. Max. 1830 mm / 72". Min 153mm / 6". Min. qty required 50 pcs.

ELECTRICAL

Input Wattage Range: 1 - 9 W

Lamp Type: LED

Input Wattage (W): 2.7

Total Output Wattage (W): 2.4

Dimming: Tri-Mode (Non-Dimming and Phase Dimming (120Vac only) and 0-10V Dimming)

Driver Included: Yes

Driver Location: See canopy components

Driver Type: Constant Current - Universal

Driver Class: Class 2

Input Voltage (V): 120 - 277

Constant Current (MA): 700

LED

Delivered Lumen Range: 100 - 499 lm

Number of LEDs: 1

Color Temperature (°K): 3000 / 4000

Max. Delivered Lumen (lm): 114 / 122

Nominal Lumen (lm): 124 / 133

CRI: >90 CRI

Lamp Life (hrs): 50000

Upon Request: 3500K

OPTICAL

Optic°: 12 / 28 / 44

RATINGS AND CERTIFICATIONS

Certified By: Certified for North American Standards

IP rating: IP41 (Damp)

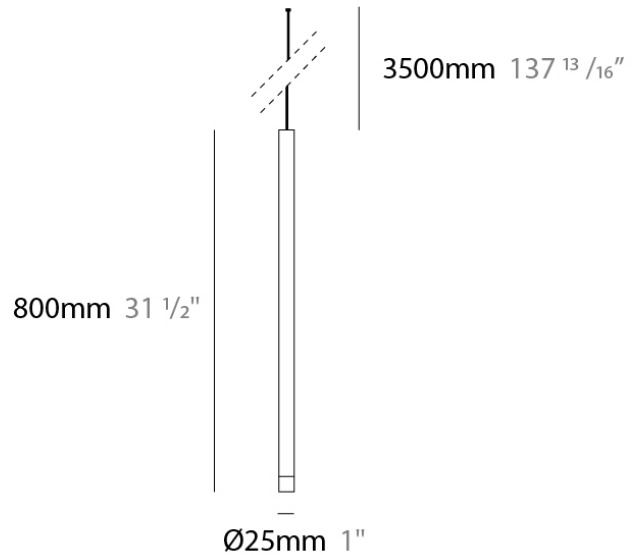
PROJECT

TYPE

NOTES

QUANTITY

DATE



PROJECT	
TYPE	
NOTES	
QUANTITY	
DATE	

D20METRO-C-SUS-SYS COMPONENTS SUSPENSION

D201030-

DESCRIPTION

Metropolis Blind Tube 500 - Suspension - 500mm / 19 11/16".
Replaces LED model.

GENERAL

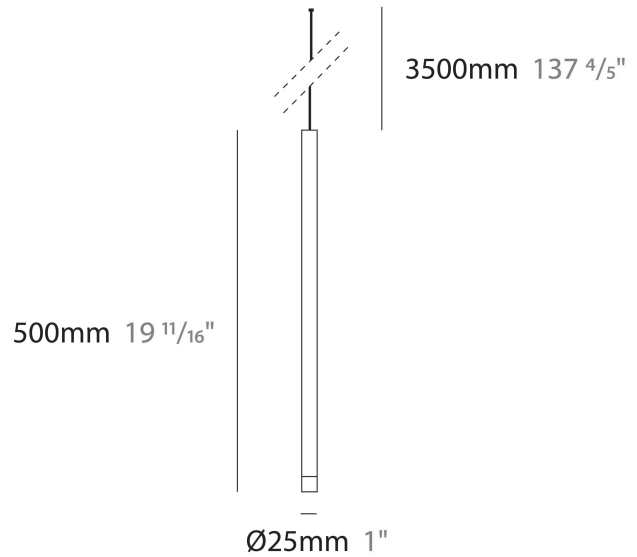
Series: Metropolis
Subseries: Metropolis-Y Modular System
Partner: Zaneen
Division: Design
Installation: Suspension
Product Type: Clusters
Mounting Location: Ceiling
Light Distribution: Downlight

PHYSICAL

Shape: Cylinder
Diameter (mm): 25
Diameter (in): 1
Height (mm): 500
Height (in): 19 11/16
Fixture Finish: BLK / BRZ / IND
Fixture Material: Aluminum
Cable Details: Black or Transparent - 3500mm / 137 13/16"
Upon Request: Cylinder height. Max. 1830 mm / 72". Min 153mm / 6". Min. qty required 50 pcs.

RATINGS AND CERTIFICATIONS

Certified By: Certified for North American Standards
IP rating: IP41 (Damp)



D20METRO-C-SUS-SYS COMPONENTS SUSPENSION

D201031-

DESCRIPTION

Metropolis Blind Tube 800 - Suspension - 800mm / 31 1/2".
Replaces LED model.

GENERAL

Series: Metropolis
Subseries: Metropolis-Y Modular System
Partner: Zaneen
Division: Design
Installation: Suspension
Product Type: Clusters
Mounting Location: Ceiling
Light Distribution: Downlight

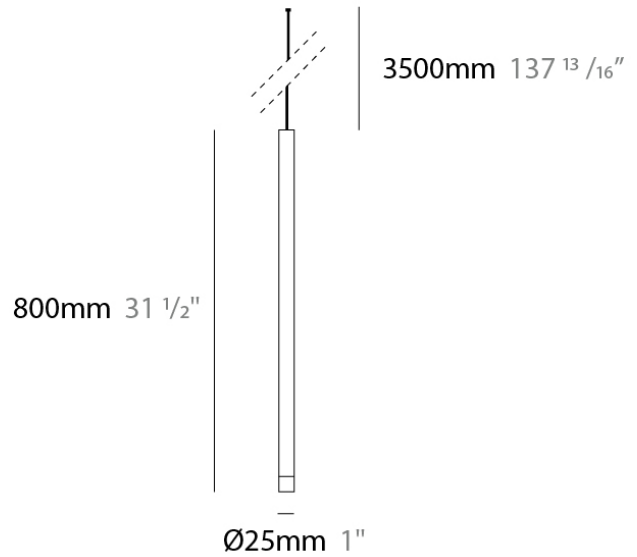
PHYSICAL

Shape: Cylinder
Diameter (mm): 25
Diameter (in): 1
Height (mm): 800
Height (in): 31 1/2
Fixture Finish: BLK / BRZ / IND
Fixture Material: Aluminum
Cable Details: Black or Transparent - 3500mm / 137 13/16"
Upon Request: Cylinder height. Max. 1830 mm / 72". Min 153mm / 6". Min. qty required 50 pcs.

RATINGS AND CERTIFICATIONS

Certified By: Certified for North American Standards
IP rating: IP41 (Damp)

PROJECT	_____
TYPE	_____
NOTES	_____
QUANTITY	_____
DATE	_____



PROJECT	
TYPE	
NOTES	
QUANTITY	
DATE	

D20METRO-C-SUS-SYS COMPONENTS SUSPENSION

D201034-

DESCRIPTION

Metropolis - Suspension Luminous Halo - Ø25mm / 1" x 520mm / 20 1/2" - 3.65W LED - 700mA - 3000K / 4000K - Optics 12° / 28° / 44°

GENERAL

Series: Metropolis
 Subseries: Metropolis-Y Modular System
 Partner: Zaneen
 Division: Design
 Installation: Suspension
 Product Type: Clusters
 Mounting Location: Ceiling
 Light Distribution: Downlight

PHYSICAL

Shape: Cylinder
 Diameter (mm): 25
 Diameter (in): 1
 Height (mm): 520
 Height (in): 20 1/2
 Fixture Finish: BLK / BRZ / IND
 Holder Finish: Chrome
 Fixture Material: Aluminum
 Cable Details: Black or Transparent - 3500mm / 137 13/16"
 Upon Request: Cylinder height. Max. 1830 mm / 72". Min 153mm / 6". Min. qty required 50 pcs.

ELECTRICAL

Input Wattage Range: 1 - 9 W
 Lamp Type: LED
 Input Wattage (W): 3.65
 Total Output Wattage (W): 2.7
 Dimming: Tri-Mode (Non-Dimming and Phase Dimming (120Vac only) and 0-10V Dimming)
 Driver Included: Yes
 Driver Location: See canopy components
 Driver Type: Constant Current - Universal
 Driver Class: Class 2
 Input Voltage (V): 120 - 277
 Constant Current (MA): 700

LED

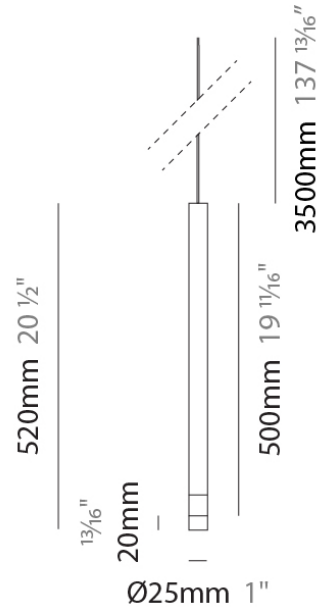
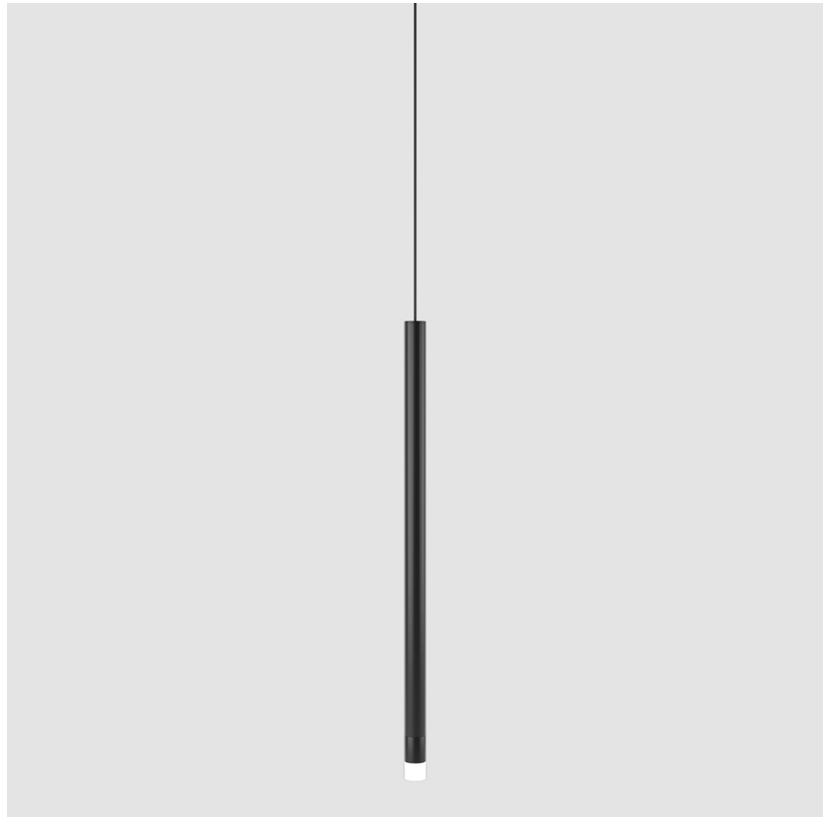
Delivered Lumen Range: 100 - 499 lm
 Number of LEDs: 1
 Color Temperature (°K): 3000 / 4000
 Max. Delivered Lumen (lm): 114 / 122
 Nominal Lumen (lm): 124 / 133
 CRI: >90 CRI
 Lamp Life (hrs): 50000
 Upon Request: 3500K

OPTICAL

Optic°: 12 / 28 / 44

RATINGS AND CERTIFICATIONS

Certified By: Certified for North American Standards
 IP rating: IP41 (Damp)



PROJECT	
TYPE	
NOTES	
QUANTITY	
DATE	

D20METRO-C-SUS-SYS COMPONENTS SUSPENSION

D201035-

DESCRIPTION

Metropolis - Suspension Luminous Halo - Ø25mm / 1" x 820mm / 32 2/7" - 3.65W LED - 700mA - 3000K / 4000K - Optics 12° / 28° / 44°

GENERAL

Series: Metropolis
 Subseries: Metropolis-Y Modular System
 Partner: Zaneen
 Division: Design
 Installation: Suspension
 Product Type: Clusters
 Mounting Location: Ceiling
 Light Distribution: Downlight

PHYSICAL

Shape: Cylinder
 Diameter (mm): 25
 Diameter (in): 1
 Height (mm): 820
 Height (in): 32 2/7
 Fixture Finish: BLK / BRZ / IND
 Holder Finish: Chrome
 Fixture Material: Aluminum
 Cable Details: Black or Transparent - 3500mm / 137 13/16"
 Upon Request: Cylinder height. Max. 1830 mm / 72". Min 153mm / 6". Min. qty required 50 pcs.

ELECTRICAL

Input Wattage Range: 1 - 9 W
 Lamp Type: LED
 Input Wattage (W): 3.65
 Total Output Wattage (W): 2.7
 Dimming: Tri-Mode (Non-Dimming and Phase Dimming (120Vac only) and 0-10V Dimming)
 Driver Included: Yes
 Driver Location: See canopy components
 Driver Type: Constant Current - Universal
 Driver Class: Class 2
 Input Voltage (V): 120 - 277
 Constant Current (MA): 700

LED

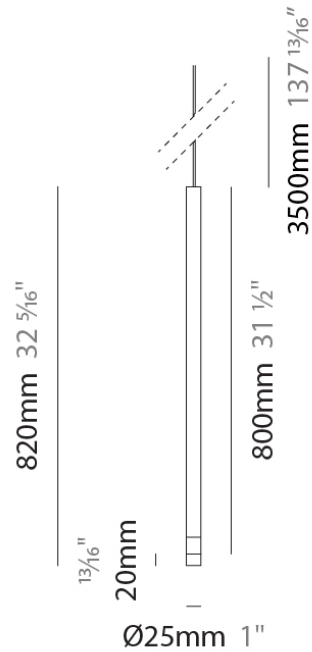
Delivered Lumen Range: 100 - 499 lm
 Number of LEDs: 1
 Color Temperature (°K): 3000 / 4000
 Max. Delivered Lumen (lm): 114 / 122
 Nominal Lumen (lm): 124 / 133
 CRI: >90 CRI
 Lamp Life (hrs): 50000
 Upon Request: 3500K

OPTICAL

Optic°: 12 / 28 / 44

RATINGS AND CERTIFICATIONS

Certified By: Certified for North American Standards
 IP rating: IP41 (Damp)



PROJECT	_____
TYPE	_____
NOTES	_____
QUANTITY	_____
DATE	_____

D20METRO-C-SUS-SYS COMPONENTS

D209003-

DESCRIPTION
Metropolis - Recessed Canopy for remote application of power supply unit

GENERAL

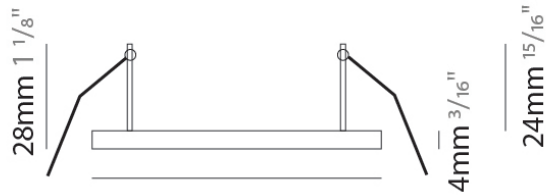
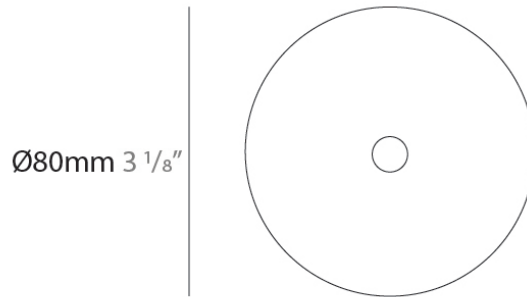
Series: Metropolis _____
Partner: Zaneen _____
Division: Design _____

PHYSICAL

Diameter (mm): 80 _____
Diameter (in): 3 1/8 _____
Height (mm): 30 _____
Height (in): 1 3/16 _____
Fixture Finish: WHI / BLK _____
Fixture Material: Aluminum _____

RATINGS AND CERTIFICATIONS

Certified By: Certified for North American Standards _____
IP rating: IP20 _____



D20METRO-C-SUS-SYS COMPONENTS

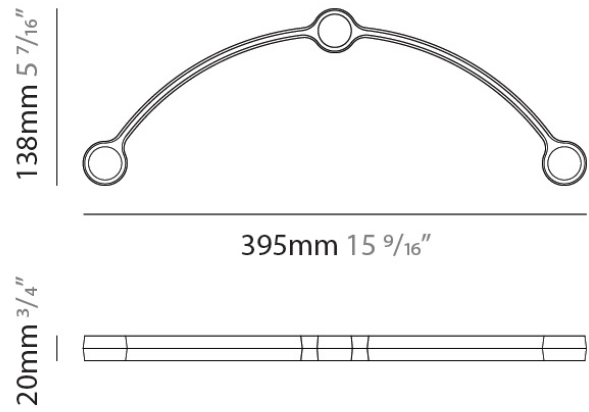
D209004-

DESCRIPTION
 Metropolis - C-Connector

GENERAL
 Series: Metropolis
 Partner: Zaneen
 Division: Design

PHYSICAL
 Fixture Finish: BLK / BRZ / IND
 Fixture Material: Aluminum

RATINGS AND CERTIFICATIONS
 Certified By: Certified for North American Standards
 IP rating: IP41 (Damp)



PROJECT
TYPE
NOTES
QUANTITY
DATE

D20METRO-C-SUS-SYS COMPONENTS SURFACE

D209900-1067-838-

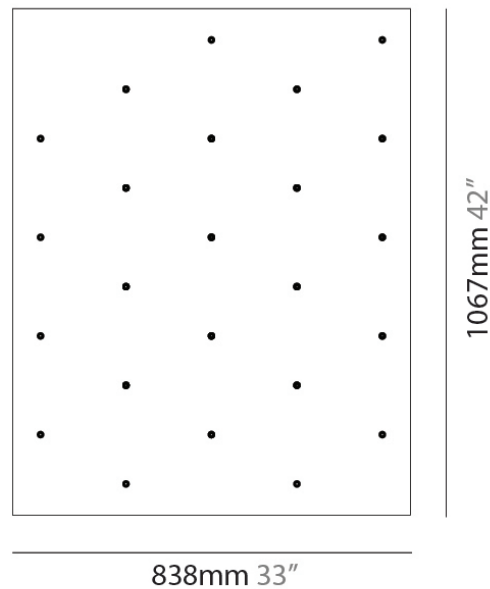
DESCRIPTION
 Metropolis Modular - Ceiling Holder Rectangle - 1067mm / 42" x 838mm / 33" (24 Hole) - Power supply provided is based on 24 LED fixtures (Consult factory for driver details if Blind fixtures chosen in design intent; power supply could vary)

GENERAL
 Series: Metropolis
 Subseries: Metropolis-Y Modular System
 Partner: Zaneen
 Division: Design
 Installation: Surface
 Mounting Location: Ceiling

PHYSICAL
 Shape: Rectangle
 Length (mm): 1067
 Length (in): 42
 Width (mm): 838
 Width (in): 33
 Height (mm): 50
 Height (in): 2
 Fixture Finish: BLK / BRZ / IND / WHI
 Fixture Material: Aluminum

ELECTRICAL
 Lamp Type: LED
 Dimming: Tri-Mode (Non-Dimming and Phase Dimming (120Vac only) and 0-10V Dimming)
 Driver Included: Yes
 Driver Location: Integrated
 Driver Type: Constant Current - Universal
 Driver Class: Class 2
 Input Voltage (V): 120 - 277
 Constant Current (MA): 700

RATINGS AND CERTIFICATIONS
 Certified By: Certified for North American Standards
 IP rating: IP20



PROJECT
TYPE
NOTES
QUANTITY
DATE

D20METRO-C-SUS-SYS COMPONENTS SURFACE

D209900-1220-

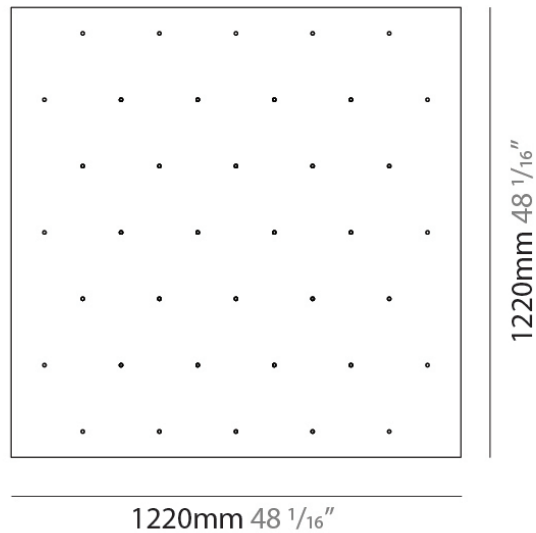
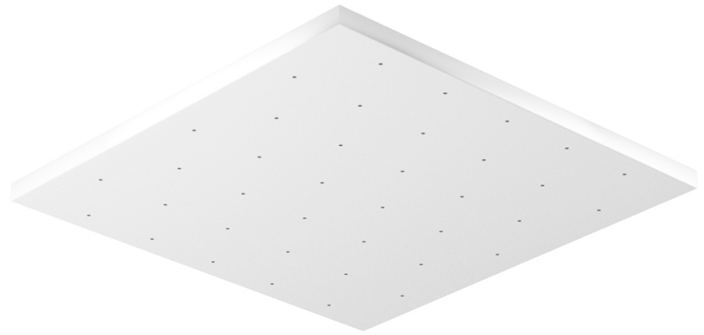
DESCRIPTION
 Metropolis Modular - Ceiling Holder Square - 1220mm / 48 1/16" x 1220mm / 48 1/16" (38 Hole) - Power supply provided is based on 38 LED fixtures (Consult factory for driver details if Blind fixtures are to be chosen in design intent; power supply could vary)

GENERAL
 Series: Metropolis
 Subseries: Metropolis-Y Modular System
 Partner: Zaneen
 Division: Design
 Installation: Surface
 Mounting Location: Ceiling

PHYSICAL
 Shape: Square
 Length (mm): 1220
 Length (in): 48 1/16
 Width (mm): 1220
 Width (in): 48 1/16
 Height (mm): 50
 Height (in): 2
 Fixture Finish: BLK / BRZ / IND / WHI
 Fixture Material: Aluminum

ELECTRICAL
 Dimming: Tri-Mode (Non-Dimming and Phase Dimming (120Vac only) and 0-10V Dimming)
 Driver Included: Yes
 Driver Location: Integrated
 Driver Type: Constant Current - Universal
 Driver Class: Class 2
 Input Voltage (V): 120 - 277
 Constant Current (MA): 700

RATINGS AND CERTIFICATIONS
 Certified By: Certified for North American Standards
 IP rating: IP20



PROJECT
TYPE
NOTES
QUANTITY
DATE

D20METRO-C-SUS-SYS COMPONENTS SURFACE

D209900-1524-1220-

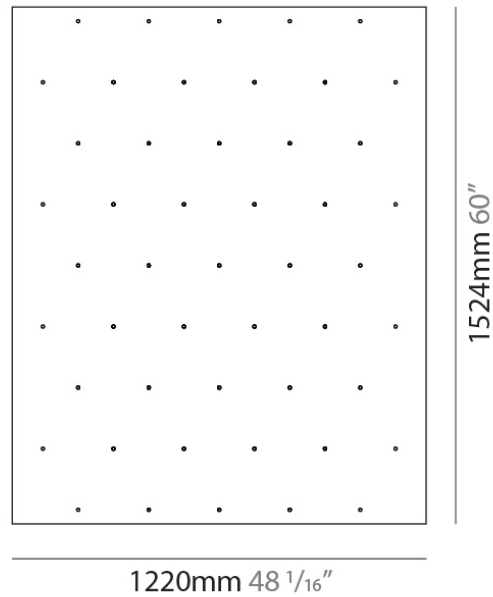
DESCRIPTION
 Metropolis Modular - Ceiling Holder Rectangle - 1524mm / 60" x 1220mm / 49 1/16" (49 Hole) - Power supply provided is based on 49 LED fixtures (Consult factory for driver details if Blind fixtures chosen in design intent; power supply could vary)

GENERAL
 Series: Metropolis
 Subseries: Metropolis-Y Modular System
 Partner: Zaneen
 Division: Design
 Installation: Surface
 Mounting Location: Ceiling

PHYSICAL
 Shape: Rectangle
 Length (mm): 1524
 Length (in): 60
 Width (mm): 1220
 Width (in): 48 1/16
 Height (mm): 50
 Height (in): 2
 Fixture Finish: BLK / BRZ / IND / WHI
 Fixture Material: Aluminum

ELECTRICAL
 Lamp Type: LED
 Dimming: Tri-Mode (Non-Dimming and Phase Dimming (120Vac only) and 0-10V Dimming)
 Driver Included: Yes
 Driver Location: Integrated
 Driver Class: Class 2
 Input Voltage (V): 120 - 277
 Constant Current (MA): 700

RATINGS AND CERTIFICATIONS
 Certified By: Certified for North American Standards
 IP rating: IP20



PROJECT
TYPE
NOTES
QUANTITY
DATE

D20METRO-C-SUS-SYS COMPONENTS SURFACE

D209900-584-

DESCRIPTION

Metropolis Modular - Ceiling Holder - Square - 584mm / 23" x 584mm / 23" (7 Hole) - Power supply provided is based on 7 LED fixtures (Consult factory for driver details if Blind fixtures chosen in design intent; power supply could vary)

GENERAL

Series: Metropolis
 Subseries: Metropolis-Y Modular System
 Partner: Zaneen
 Division: Design
 Installation: Surface
 Mounting Location: Ceiling

PHYSICAL

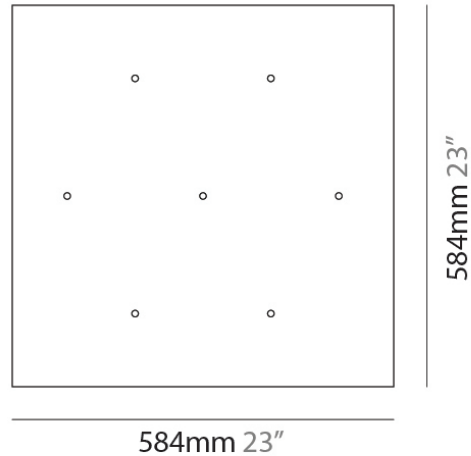
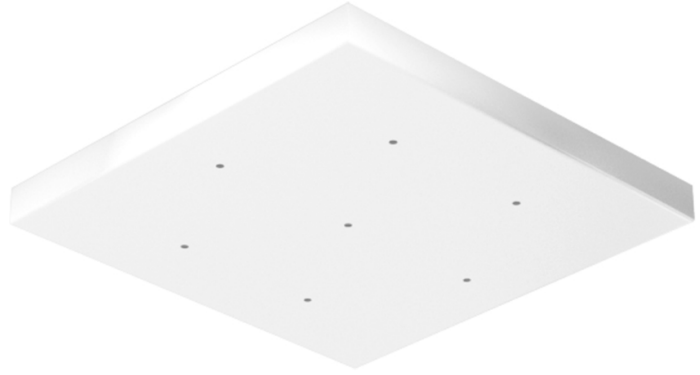
Shape: Square
 Length (mm): 584
 Length (in): 23
 Width (mm): 584
 Width (in): 23
 Height (mm): 5
 Height (in): 2
 Fixture Finish: BLK / BRZ / IND / WHI
 Fixture Material: Aluminum

ELECTRICAL

Dimming: Tri-Mode (Non-Dimming and Phase Dimming (120Vac only) and 0-10V Dimming)
 Driver Included: Yes
 Driver Location: Integrated
 Driver Type: Constant Current - Universal
 Driver Class: Class 2
 Input Voltage (V): 120 - 277
 Constant Current (MA): 700

RATINGS AND CERTIFICATIONS

Certified By: Certified for North American Standards
 IP rating: IP20



PROJECT	
TYPE	
NOTES	
QUANTITY	
DATE	

D20METRO-C-SUS-SYS COMPONENTS SURFACE

D209900-854-758-

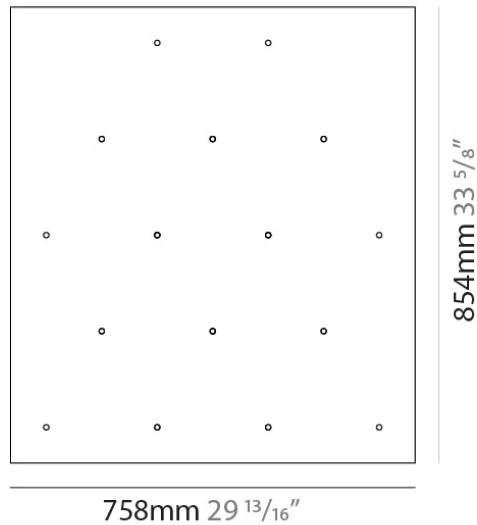
DESCRIPTION
 Metropolis Modular - Ceiling Holder Rectangle - 854mm / 33 5/8" x 758mm / 29 13/16" (16 Hole) - Power supply provided is based on 16 LED fixtures (Consult factory for driver details if Blind fixtures chosen in design intent; power supply could vary)

GENERAL
 Series: Metropolis
 Subseries: Metropolis-Y Modular System
 Partner: Zaneen
 Division: Design
 Installation: Surface
 Mounting Location: Ceiling

PHYSICAL
 Shape: Rectangle
 Length (mm): 854
 Length (in): 33 5/8
 Width (mm): 758
 Width (in): 29 13/16
 Height (mm): 50
 Height (in): 2
 Fixture Finish: BLK / BRZ / IND / WHI
 Fixture Material: Aluminum

ELECTRICAL
 Lamp Type: LED
 Dimming: Tri-Mode (Non-Dimming and Phase Dimming (120Vac only) and 0-10V Dimming)
 Driver Included: Yes
 Driver Location: Integrated
 Driver Type: Constant Current - Universal
 Driver Class: Class 2
 Input Voltage (V): 120 - 277
 Constant Current (MA): 700

RATINGS AND CERTIFICATIONS
 Certified By: Certified for North American Standards
 IP rating: IP20



PROJECT
TYPE
NOTES
QUANTITY
DATE

D20METRO-C-SUS-SYS COMPONENTS SURFACE

D209900-932-

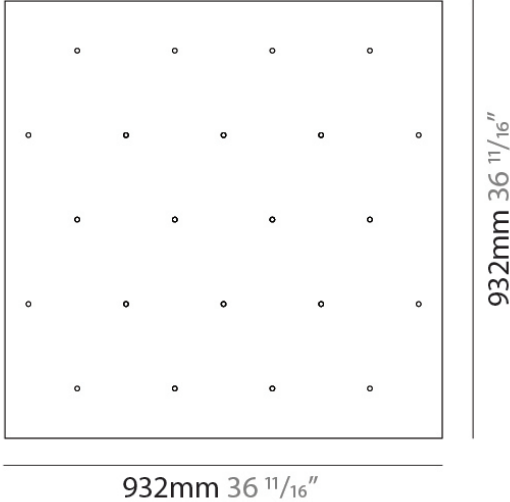
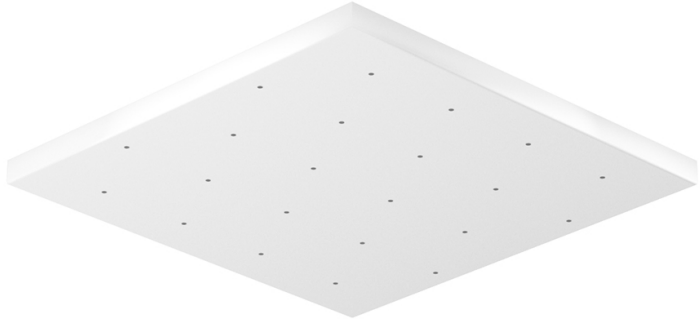
DESCRIPTION
 Metropolis Modular - Ceiling Holder Square - 932mm / 36 11/16" x 932mm / 36 11/16" (22 Holes) - Power supply provided is based on 22 LED fixtures (Consult factory for driver details if Blind fixtures chosen in design intent; power supply could vary)

GENERAL
 Series: Metropolis
 Subseries: Metropolis-Y Modular System
 Partner: Zaneen
 Division: Design
 Installation: Surface
 Mounting Location: Ceiling

PHYSICAL
 Shape: Square
 Length (mm): 932
 Length (in): 36 11/16
 Width (mm): 932
 Width (in): 36 11/16
 Height (mm): 50
 Height (in): 2
 Fixture Finish: BLK / BRZ / IND / WHI
 Fixture Material: Aluminum

ELECTRICAL
 Dimming: Tri-Mode (Non-Dimming and Phase Dimming (120Vac only) and 0-10V Dimming)
 Driver Included: Yes
 Driver Location: Integrated
 Driver Type: Constant Current - Universal
 Driver Class: Class 2
 Input Voltage (V): 120 - 277
 Constant Current (MA): 700

RATINGS AND CERTIFICATIONS
 Certified By: Certified for North American Standards
 IP rating: IP20



PROJECT
TYPE
NOTES
QUANTITY
DATE

D20METRO-C-SUS-SYS COMPONENTS SURFACE

D209901-1143-

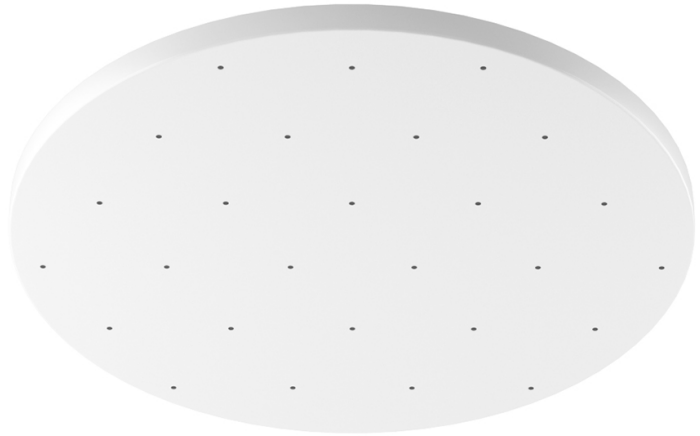
DESCRIPTION
 Metropolis Modular - Ceiling Holder Round - 1143mm / 45" (27 Hole) - Power supply provided is based on 27 LED fixtures (Consult factory for driver details if Blind fixtures chosen in design intent; power supply could vary)

GENERAL
 Series: Metropolis
 Subseries: Metropolis-Y Modular System
 Partner: Zaneen
 Division: Design
 Installation: Surface
 Mounting Location: Ceiling

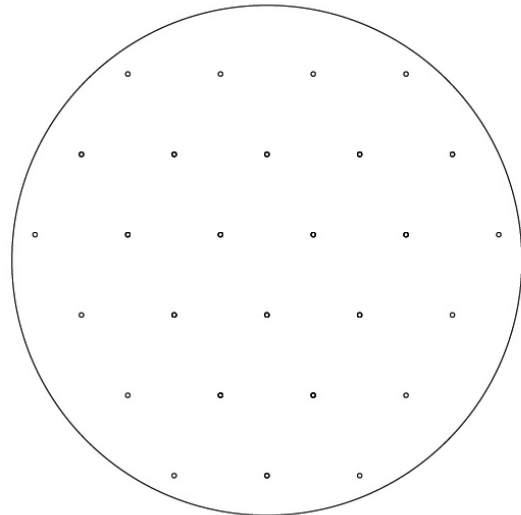
PHYSICAL
 Shape: Rectangle
 Diameter (mm): 1143
 Diameter (in): 45
 Height (mm): 50
 Height (in): 2
 Fixture Finish: BLK / BRZ / IND / WHI
 Fixture Material: Aluminum

ELECTRICAL
 Lamp Type: LED
 Dimming: Tri-Mode (Non-Dimming and Phase Dimming (120Vac only) and 0-10V Dimming)
 Driver Included: Yes
 Driver Location: Integrated
 Driver Type: Constant Current - Universal
 Driver Class: Class 2
 Input Voltage (V): 120 - 277
 Constant Current (MA): 700

RATINGS AND CERTIFICATIONS
 Certified By: Certified for North American Standards
 IP rating: IP20



Ø1143mm 45"



PROJECT
TYPE
NOTES
QUANTITY
DATE

D20METRO-C-SUS-SYS COMPONENTS SURFACE

D209901-381-

DESCRIPTION
Metropolis Modular - Ceiling Holder Round - 381mm / 15" (3 Hole)

GENERAL

Series: Metropolis
Subseries: Metropolis-Y Modular System
Partner: Zaneen
Division: Design
Installation: Surface
Mounting Location: Ceiling

PHYSICAL

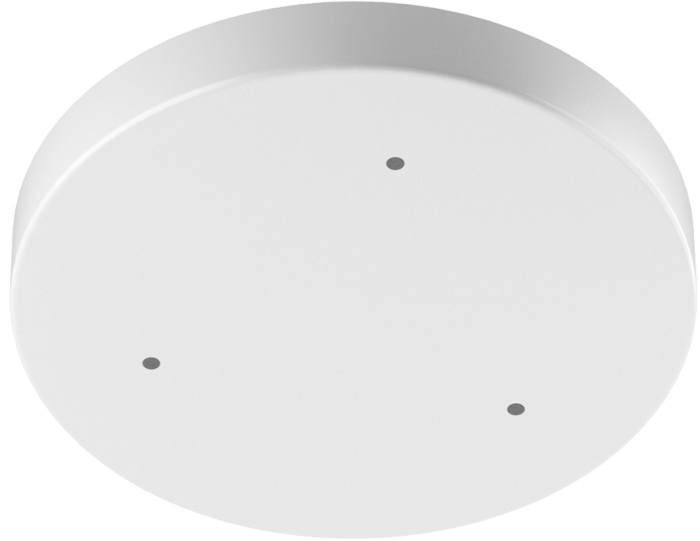
Shape: Rectangle
Diameter (mm): 381
Diameter (in): 15
Height (mm): 50.8
Height (in): 2
Fixture Finish: BLK / BRZ / IND / WHI
Fixture Material: Aluminum

ELECTRICAL

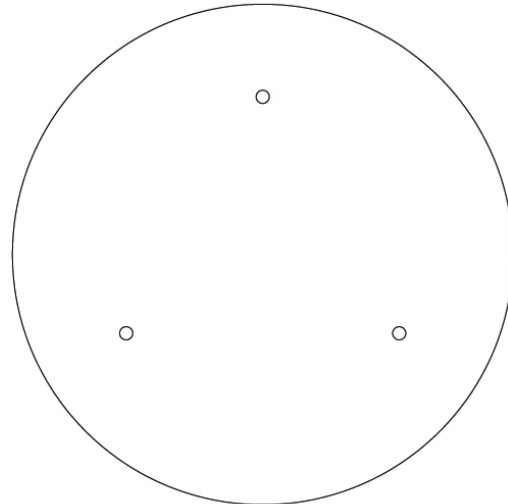
Lamp Type: LED
Dimming: Tri-Mode (Non-Dimming and Phase Dimming (120Vac only) and 0-10V Dimming)
Driver Included: Yes
Driver Location: Integrated
Driver Type: Constant Current - Universal
Driver Class: Class 2
Input Voltage (V): 120 - 277
Constant Current (MA): 700

RATINGS AND CERTIFICATIONS

Certified By: Certified for North American Standards
IP rating: IP20



Ø381mm 15"



PROJECT
TYPE
NOTES
QUANTITY
DATE

D20METRO-C-SUS-SYS COMPONENTS SURFACE

D209901-635-

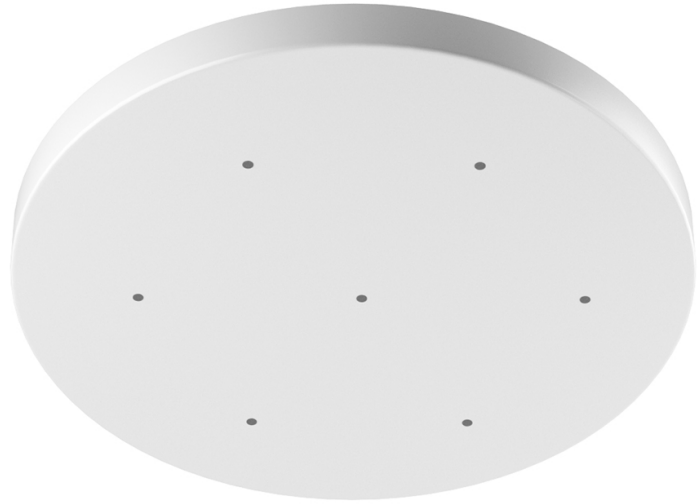
DESCRIPTION
 Metropolis Modular - Ceiling Holder Round - 635mm / 25" (7 Hole) - Power supply provided is based on 7 LED fixtures (Consult factory for driver details if Blind fixtures chosen in design intent; power supply could vary)

GENERAL
 Series: Metropolis
 Subseries: Metropolis-Y Modular System
 Partner: Zaneen
 Division: Design
 Installation: Surface
 Mounting Location: Ceiling

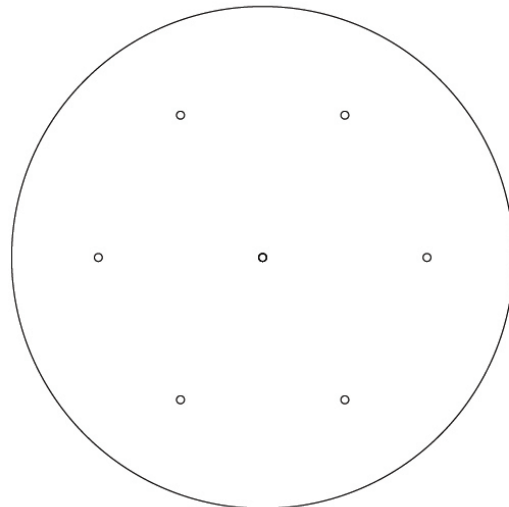
PHYSICAL
 Shape: Round
 Diameter (mm): 635
 Diameter (in): 25
 Height (mm): 50
 Height (in): 2
 Fixture Finish: BLK / BRZ / IND / WHI
 Fixture Material: Aluminum

ELECTRICAL
 Dimming: Tri-Mode (Non-Dimming and Phase Dimming (120Vac only) and 0-10V Dimming)
 Driver Included: Yes
 Driver Location: Integrated
 Driver Type: Constant Current - Universal
 Driver Class: Class 2
 Input Voltage (V): 120 - 277
 Constant Current (MA): 700

RATINGS AND CERTIFICATIONS
 Certified By: Certified for North American Standards
 IP rating: IP20



Ø635mm 25"



PROJECT	
TYPE	
NOTES	
QUANTITY	
DATE	

D20METRO-C-SUS-SYS COMPONENTS SURFACE

D209902-1054-588-

DESCRIPTION

Metropolis Modular - Ceiling Holder Oval - 1054mm / 41 1/2" x 588mm / 23 1/8" (13 Hole) - Power supply provided is based on 13 LED fixtures (Consult factory for driver details if Blind fixtures chosen in design intent; power supply could vary)

GENERAL

Series: Metropolis
 Subseries: Metropolis-Y Modular System
 Partner: Zaneen
 Division: Design
 Installation: Surface
 Mounting Location: Ceiling

PHYSICAL

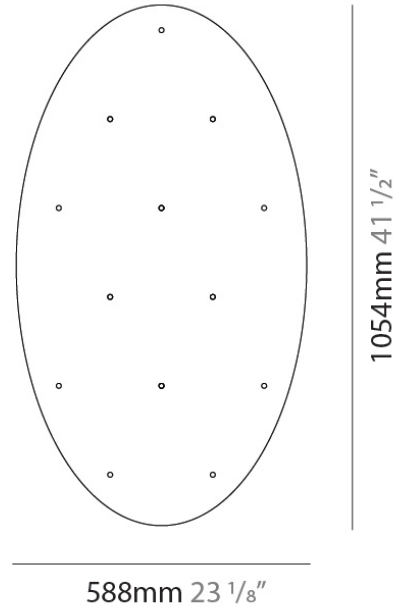
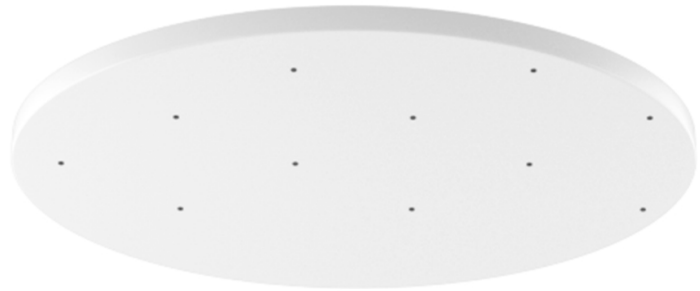
Shape: Oval
 Length (mm): 1054
 Length (in): 41 1/2
 Width (mm): 588
 Width (in): 23 1/8
 Height (mm): 50
 Height (in): 2
 Fixture Finish: BLK / BRZ / IND / WHI
 Fixture Material: Aluminum

ELECTRICAL

Lamp Type: LED
 Dimming: Tri-Mode (Non-Dimming and Phase Dimming (120Vac only) and 0-10V Dimming)
 Driver Included: Yes
 Driver Location: Integrated
 Driver Type: Constant Current - Universal
 Driver Class: Class 2
 Input Voltage (V): 120 - 277
 Constant Current (MA): 700

RATINGS AND CERTIFICATIONS

Certified By: Certified for North American Standards
 IP rating: IP20



PROJECT	
TYPE	
NOTES	
QUANTITY	
DATE	

D20METRO-C-SUS-SYS COMPONENTS SURFACE

D209902-1269-772-

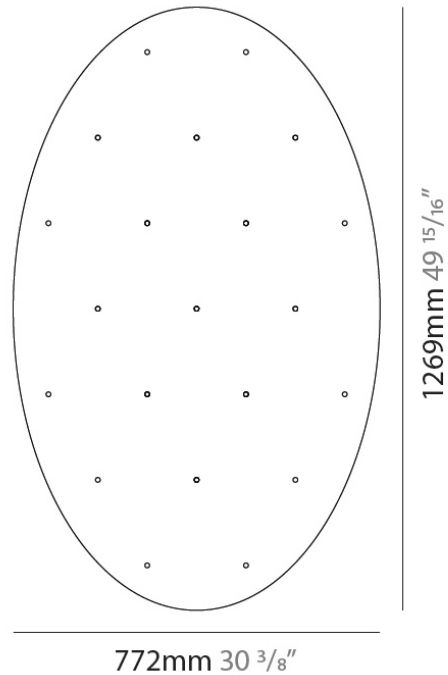
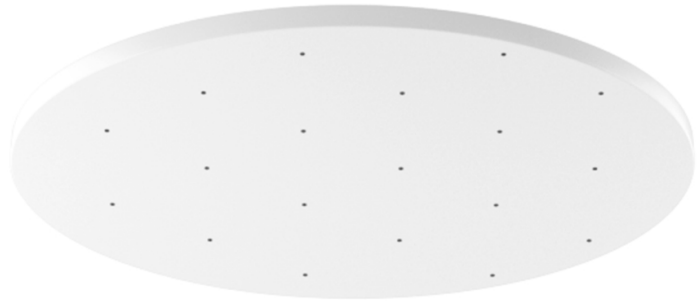
DESCRIPTION
 Metropolis Modular - Ceiling Holder Oval - 1269mm / 49 15/16" x 772mm / 30 3/8" (21 Hole) - Power supply provided is based on 21 LED fixtures (Consult factory for driver details if Blind fixtures chosen in design intent; power supply could vary)

GENERAL
 Series: Metropolis
 Subseries: Metropolis-Y Modular System
 Partner: Zaneen
 Division: Design
 Installation: Surface
 Mounting Location: Ceiling

PHYSICAL
 Shape: Oval
 Length (mm): 1269
 Length (in): 49 15/16
 Width (mm): 772
 Width (in): 30 3/8
 Height (mm): 50
 Height (in): 2
 Fixture Finish: BLK / BRZ / IND / WHI
 Fixture Material: Aluminum

ELECTRICAL
 Lamp Type: LED
 Dimming: Tri-Mode (Non-Dimming and Phase Dimming (120Vac only) and 0-10V Dimming)
 Driver Included: Yes
 Driver Location: Integrated
 Driver Type: Constant Current - Universal
 Driver Class: Class 2
 Input Voltage (V): 120 - 277
 Constant Current (MA): 700

RATINGS AND CERTIFICATIONS
 Certified By: Certified for North American Standards
 IP rating: IP20



PROJECT	
TYPE	
NOTES	
QUANTITY	
DATE	

D20METRO-C-SUS-SYS COMPONENTS SURFACE

D209902-1524-1220-

DESCRIPTION

Metropolis Modular - Ceiling Holder Oval - 1524mm / 60" x 1220mm / 48 1/16" (38 Hole) - Power supply provided is based on 38 LED fixtures (Consult factory for driver details if Blind fixtures are to be chosen in design intent; power supply could vary)

GENERAL

Series: Metropolis
 Subseries: Metropolis-Y Modular System
 Partner: Zaneen
 Division: Design
 Installation: Surface
 Mounting Location: Ceiling

PHYSICAL

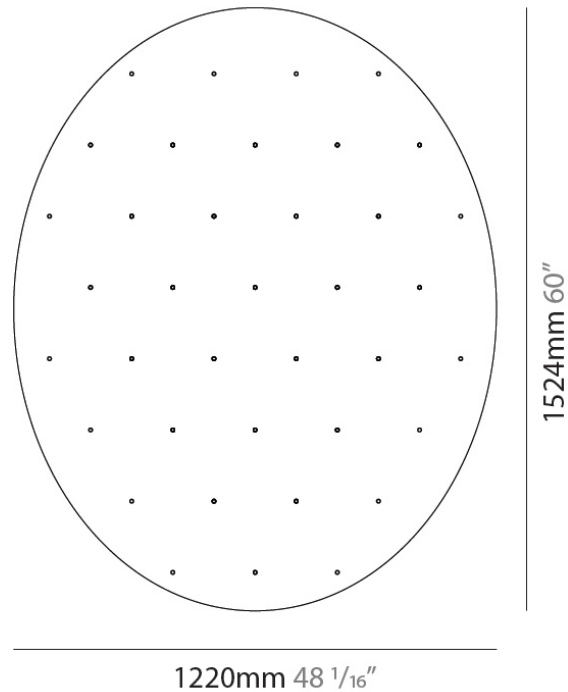
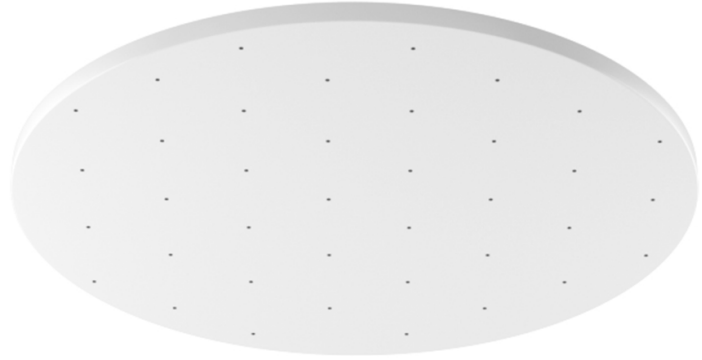
Shape: Oval
 Length (mm): 1524
 Length (in): 60
 Width (mm): 1220
 Width (in): 48 1/16
 Height (mm): 50
 Height (in): 2
 Fixture Finish: BLK / BRZ / IND / WHI
 Fixture Material: Aluminum

ELECTRICAL

Lamp Type: LED
 Dimming: Tri-Mode (Non-Dimming and Phase Dimming (120Vac only) and 0-10V Dimming)
 Driver Included: Yes
 Driver Location: Integrated
 Driver Type: Constant Current - Universal
 Driver Class: Class 2
 Input Voltage (V): 120 - 277
 Constant Current (MA): 700

RATINGS AND CERTIFICATIONS

Certified By: Certified for North American Standards
 IP rating: IP20



D20METRO-C-SUS-SYS COMPONENTS

LEGEND

	floor-mounted		pivotable		special LED (upon request) RGB, RGBW, tunable, gold+, meat+, art+, fashion+
	wall and ceiling: recessed and surface mounted		rotating		warm dim / natural dimming LED
	ceiling-mounted and wall-mounted		illuminate tilted		rechargeable battery powered
	wall-mounted		color of suspension cable		fixture with natural vivid LED (upon request)
	omni-directional light distribution		length of suspension cable		color rendering index
	direct light distribution		reflector degree selection		color temperature
	direct/indirect light distribution		super spot		lumen (luminous flux)
	indirect light distribution		lens		efficacy (lumens per watt)
	asymmetric light distribution		lens pack		Unified Glare Rating (UGR) range from 5-40
	aura light distribution		shine ring		marine grade (AISI 316 stainless steel)
	round wall or ceiling cut-out		integrated shine ring with diffuser		walk on
	square wall or ceiling cut-out		free individual colors 01-29		drive on
	the supplied jig specifies the cutout dimensions		individual colors: 00 (free of charge), 01-25 (extra charge)		Dark Sky Compliance
	minimum distance (meters) lamp - object		luminaire part to be colored (F1)		Americans with Disabilities Act (less than 4" off the wall located between 27"-84" from floor)
	recessed depth		luminaire part to be colored (F2)		lamp protected against explosion
	ceiling thickness in mm		luminaire part to be colored (F3)		blown glass using traditional methods by master glass blower
	ceiling thickness selection		luminaire part to be colored (F4)		acoustic material
	dimmable DP (phase), DV (0-10V), DD (dali), DS (step-dim)		luminaire part to be colored (F5)		protection class I, protection insulation
	included or excluded LED driver/transformer/control gear		color of 3-circuit adaptor		protection class II, protection insulation
	separately switchable		indirect diffuser		ETL Certified to UL and CSA Standards
	sensor		direct diffuser		UL Certified to UL and CSA Standards
	remote control		ball-proof (upon request)		CSA Certified to UL and CSA Standards
	available upon request		accessory		Certified for North American Standards

IP RATING

	protected against ingress of solid bodies greater than 12.5mm (finger)
	protected against ingress of solid bodies greater than 2.5mm protected against sprays of water up to 60 degrees from the vertical (rain)
	protected against ingress of solid bodies greater than 1mm (wire) no protection against the ingress of moisture
	protected against ingress of solid bodies greater than 1mm (wire) protected against sprays of water up to 60 degrees from the vertical (rain)
	protected against ingress of solid bodies greater than 1mm (wire) protected against water splashed from all directions
	protected against limited ingress of dust (wet rooms/covered outdoor areas) protected against water splashed from all directions
	protected against ingress of dust protected against jets of water
	protected against ingress of dust protected against powerful jets of water or heavy seas
	protected against ingress of dust protected against immersion of water between 15cm - 1m for 30 minutes
	protected against ingress of dust protected against immersion of water under pressure for long periods

IK RATING

	protected against 0.14 joules impact (equivalent to 0.25kg mass dropped from 56mm above the surface)
	protected against 0.2 joules impact (equivalent to 0.25kg mass dropped from 80mm above the surface)
	protected against 0.35 joules impact (equivalent to 0.25kg mass dropped from 140mm above the surface)
	protected against 0.5 joules impact (equivalent to 0.25kg mass dropped from 200mm above the surface)
	protected against 0.7 joules impact (equivalent to 0.25kg mass dropped from 280mm above the surface)
	protected against 1 joules impact (equivalent to 0.25kg mass dropped from 400mm above the surface)
	protected against 2 joules impact (equivalent to 0.5kg mass dropped from 400mm above the surface)
	protected against 5 joules impact (equivalent to 1.7kg mass dropped from 300mm above the surface)
	protected against 10 joules impact (equivalent to 5.0kg mass dropped from 200mm above the surface)
	protected against 20 joules impact (equivalent to 5.0kg mass dropped from 400mm above the surface)