

PROJECT	
TYPE	
NOTES	
QUANTITY	
DATE	

## D20METRO-Y-SUS-SYS COMPONENTS SUSPENSION

### D201028-

#### DESCRIPTION

Metropolis LED Tube 500 - Suspension - 500mm / 19 11/16" - 2.7W LED - 700mA - 3000K / 4000K - Optics 12° / 28° / 44°

#### GENERAL

Series: Metropolis  
 Subseries: Metropolis-Y Modular System  
 Brand: Zaneen  
 Division: Design  
 Mounting Type: Suspension  
 Mounting Location: Ceiling  
 Subcategory: Modular

#### PHYSICAL

Shape: Cylinder  
 Diameter (mm): 25  
 Diameter (in): 1  
 Height (mm): 500  
 Height (in): 19 11/16  
 Light Distribution: Downlight  
 Fixture Finish: BLK / BRZ / IND  
 Holder Finish: Chrome  
 Fixture Material: Aluminum  
 Cable Details: Black or Transparent - 3500mm / 137 13/16"  
 Upon Request: Cylinder height. Max. 1830 mm / 72". Min 153mm / 6". Min. qty required 50 pcs.

#### ELECTRICAL

Input Wattage Range: 1 - 9 W  
 Lamp Type: LED  
 Input Wattage (W): 2.7  
 Total Output Wattage (W): 2.4  
 Dimming: Tri-Mode (Non-Dimming and Phase Dimming (120Vac only) and 0-10V Dimming)  
 Driver Included: Yes  
 Driver Location: See canopy components  
 Driver Type: Constant Current - Universal  
 Driver Class: Class 2  
 Input Voltage (V): 120 - 277  
 Constant Current (MA): 700

#### LED

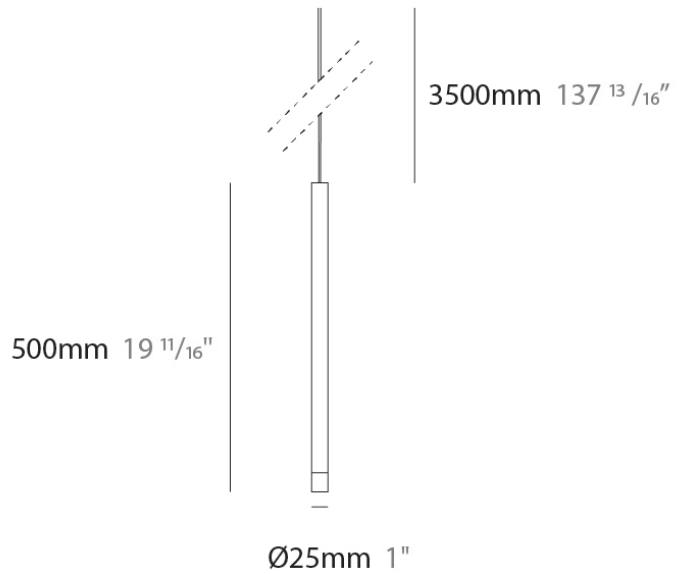
Delivered Lumen Range: 100 - 499 lm  
 Number of LEDs: 1  
 Color Temperature (°K): 3000 / 4000  
 Max. Delivered Lumen (lm): 114 / 122  
 Nominal Lumen (lm): 124 / 133  
 CRI: >90 CRI  
 Lamp Life (hrs): 50000  
 Upon Request: 3500K

#### OPTICAL

Optic°: 12 / 28 / 44

#### RATINGS AND CERTIFICATIONS

Certified By: Certified for North American Standards  
 IP rating: IP41 (Damp)



## D20METRO-Y-SUS-SYS COMPONENTS SUSPENSION

### D201029-

#### DESCRIPTION

Metropolis LED Tube 800 - Suspension - 800mm / 31 1/2" - 2.7W  
LED - 700mA - 3000K / 4000K - Optics 12° / 28° / 44°

#### GENERAL

Series: Metropolis

Subseries: Metropolis-Y Modular System

Brand: Zaneen

Division: Design

Mounting Type: Suspension

Mounting Location: Ceiling

Subcategory: Modular

#### PHYSICAL

Shape: Cylinder

Diameter (mm): 25

Diameter (in): 1

Height (mm): 800

Height (in): 31 1/2

Light Distribution: Downlight

Fixture Finish: BLK / BRZ / IND

Fixture Material: Aluminum

Cable Details: Black or Transparent - 3500mm / 137 13/16"

Upon Request: Cylinder height. Max. 1830 mm / 72". Min 153mm / 6". Min. qty required 50 pcs.

#### ELECTRICAL

Input Wattage Range: 1 - 9 W

Lamp Type: LED

Input Wattage (W): 2.7

Total Output Wattage (W): 2.4

Dimming: Tri-Mode (Non-Dimming and Phase Dimming (120Vac only) and 0-10V Dimming)

Driver Included: Yes

Driver Location: See canopy components

Driver Type: Constant Current - Universal

Driver Class: Class 2

Input Voltage (V): 120 - 277

Constant Current (MA): 700

#### LED

Delivered Lumen Range: 100 - 499 lm

Number of LEDs: 1

Color Temperature (°K): 3000 / 4000

Max. Delivered Lumen (lm): 114 / 122

Nominal Lumen (lm): 124 / 133

CRI: >90 CRI

Lamp Life (hrs): 50000

Upon Request: 3500K

#### OPTICAL

Optic°: 12 / 28 / 44

#### RATINGS AND CERTIFICATIONS

Certified By: Certified for North American Standards

IP rating: IP41 (Damp)

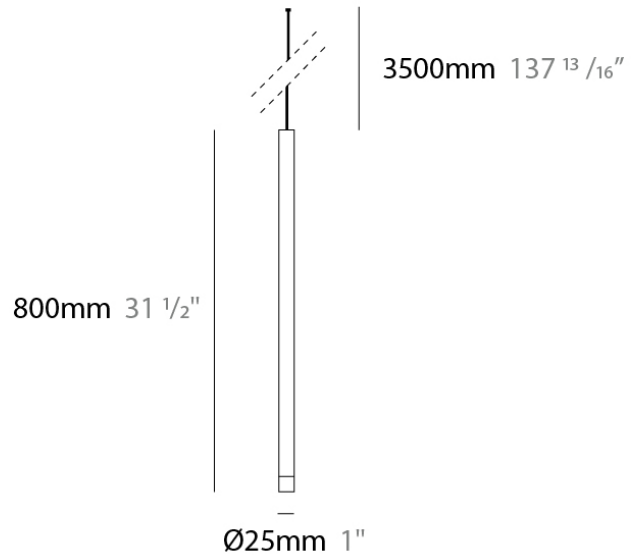
PROJECT

TYPE

NOTES

QUANTITY

DATE



## D20METRO-Y-SUS-SYS COMPONENTS SUSPENSION

### D201030-

#### DESCRIPTION

Metropolis Blind Tube 500 - Suspension - 500mm / 19 11/16".  
Replaces LED model.

#### GENERAL

Series: Metropolis  
Subseries: Metropolis-Y Modular System  
Brand: Zaneen  
Division: Design  
Mounting Type: Suspension  
Mounting Location: Ceiling  
Subcategory: Modular

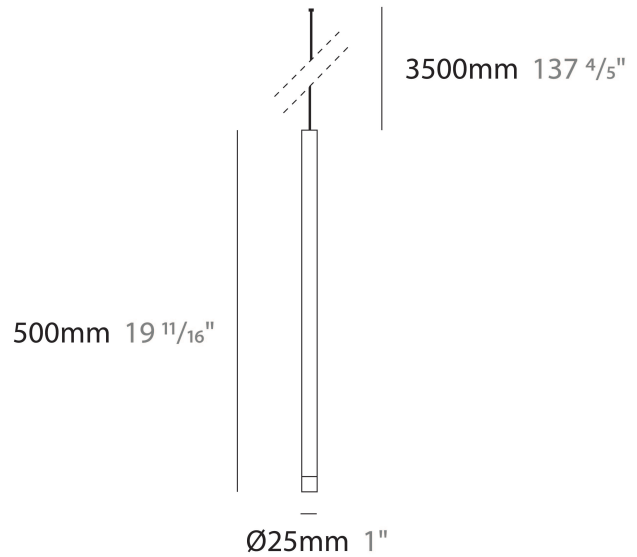
#### PHYSICAL

Shape: Cylinder  
Diameter (mm): 25  
Diameter (in): 1  
Height (mm): 500  
Height (in): 19 11/16  
Light Distribution: Downlight  
Fixture Finish: BLK / BRZ / IND  
Fixture Material: Aluminum  
Cable Details: Black or Transparent - 3500mm / 137 13/16"  
Upon Request: Cylinder height. Max. 1830 mm / 72". Min 153mm / 6". Min. qty required 50 pcs.

#### RATINGS AND CERTIFICATIONS

Certified By: Certified for North American Standards  
IP rating: IP41 (Damp)

PROJECT	
TYPE	
NOTES	
QUANTITY	
DATE	



PROJECT	
TYPE	
NOTES	
QUANTITY	
DATE	

## D20METRO-Y-SUS-SYS COMPONENTS SUSPENSION

### D201031-

#### DESCRIPTION

Metropolis Blind Tube 800 - Suspension - 800mm / 31 1/2".  
Replaces LED model.

#### GENERAL

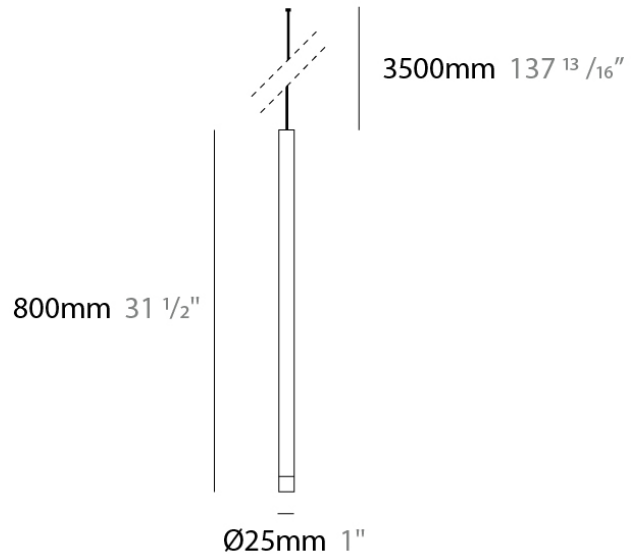
Series: Metropolis  
Subseries: Metropolis-Y Modular System  
Brand: Zaneen  
Division: Design  
Mounting Type: Suspension  
Mounting Location: Ceiling  
Subcategory: Modular

#### PHYSICAL

Shape: Cylinder  
Diameter (mm): 25  
Diameter (in): 1  
Height (mm): 800  
Height (in): 31 1/2  
Light Distribution: Downlight  
Fixture Finish: BLK / BRZ / IND  
Fixture Material: Aluminum  
Cable Details: Black or Transparent - 3500mm / 137 13/16"  
Upon Request: Cylinder height. Max. 1830 mm / 72". Min 153mm / 6". Min. qty required 50 pcs.

#### RATINGS AND CERTIFICATIONS

Certified By: Certified for North American Standards  
IP rating: IP41 (Damp)





PROJECT	
TYPE	
NOTES	
QUANTITY	
DATE	

## D20METRO-Y-SUS-SYS COMPONENTS SUSPENSION

### D201034-

#### DESCRIPTION

Metropolis - Suspension Luminous Halo - Ø25mm / 1" x 520mm / 20 1/2" - 3.65W LED - 700mA - 3000K / 4000K - Optics 12° / 28° / 44°

#### GENERAL

Series: Metropolis  
 Subseries: Metropolis-Y Modular System  
 Brand: Zaneen  
 Division: Design  
 Mounting Type: Suspension  
 Mounting Location: Ceiling  
 Subcategory: Modular

#### PHYSICAL

Shape: Cylinder  
 Diameter (mm): 25  
 Diameter (in): 1  
 Height (mm): 520  
 Height (in): 20 1/2  
 Light Distribution: Downlight  
 Fixture Finish: BLK / BRZ / IND  
 Holder Finish: Chrome  
 Fixture Material: Aluminum  
 Cable Details: Black or Transparent - 3500mm / 137 13/16"  
 Upon Request: Cylinder height. Max. 1830 mm / 72". Min 153mm / 6". Min. qty required 50 pcs.

#### ELECTRICAL

Input Wattage Range: 1 - 9 W  
 Lamp Type: LED  
 Input Wattage (W): 3.65  
 Total Output Wattage (W): 2.7  
 Dimming: Tri-Mode (Non-Dimming and Phase Dimming (120Vac only) and 0-10V Dimming)  
 Driver Included: Yes  
 Driver Location: See canopy components  
 Driver Type: Constant Current - Universal  
 Driver Class: Class 2  
 Input Voltage (V): 120 - 277  
 Constant Current (MA): 700

#### LED

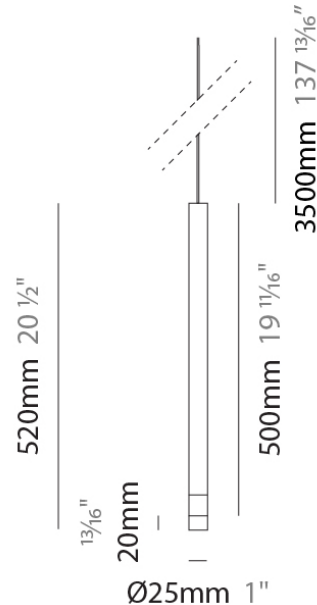
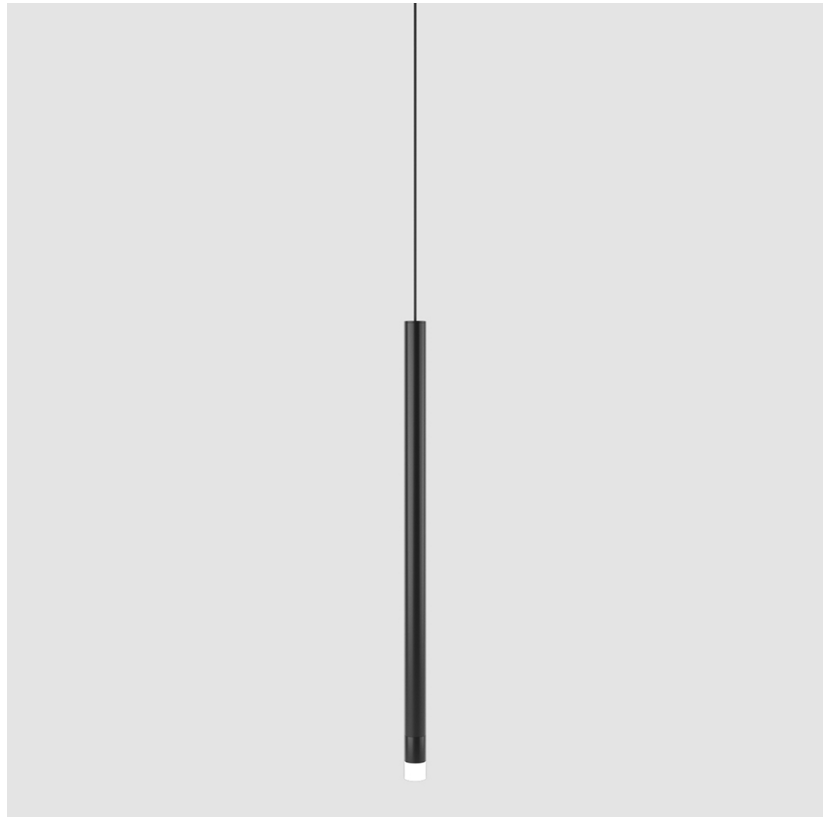
Delivered Lumen Range: 100 - 499 lm  
 Number of LEDs: 1  
 Color Temperature (°K): 3000 / 4000  
 Max. Delivered Lumen (lm): 114 / 122  
 Nominal Lumen (lm): 124 / 133  
 CRI: >90 CRI  
 Lamp Life (hrs): 50000  
 Upon Request: 3500K

#### OPTICAL

Optic°: 12 / 28 / 44

#### RATINGS AND CERTIFICATIONS

Certified By: Certified for North American Standards  
 IP rating: IP41 (Damp)



## D20METRO-Y-SUS-SYS COMPONENTS SUSPENSION

### D201035-

#### DESCRIPTION

Metropolis - Suspension Luminous Halo - Ø25mm / 1" x 820mm / 32 2/7" - 3.65W LED - 700mA - 3000K / 4000K - Optics 12° / 28° / 44°

#### GENERAL

Series: Metropolis  
 Subseries: Metropolis-Y Modular System  
 Brand: Zaneen  
 Division: Design  
 Mounting Type: Suspension  
 Mounting Location: Ceiling  
 Subcategory: Modular

#### PHYSICAL

Shape: Cylinder  
 Diameter (mm): 25  
 Diameter (in): 1  
 Height (mm): 820  
 Height (in): 32 2/7  
 Light Distribution: Downlight  
 Fixture Finish: BLK / BRZ / IND  
 Holder Finish: Chrome  
 Fixture Material: Aluminum  
 Cable Details: Black or Transparent - 3500mm / 137 13/16"  
 Upon Request: Cylinder height. Max. 1830 mm / 72". Min 153mm / 6". Min. qty required 50 pcs.

#### ELECTRICAL

Input Wattage Range: 1 - 9 W  
 Lamp Type: LED  
 Input Wattage (W): 3.65  
 Total Output Wattage (W): 2.7  
 Dimming: Tri-Mode (Non-Dimming and Phase Dimming (120Vac only) and 0-10V Dimming)  
 Driver Included: Yes  
 Driver Location: See canopy components  
 Driver Type: Constant Current - Universal  
 Driver Class: Class 2  
 Input Voltage (V): 120 - 277  
 Constant Current (MA): 700

#### LED

Delivered Lumen Range: 100 - 499 lm  
 Number of LEDs: 1  
 Color Temperature (°K): 3000 / 4000  
 Max. Delivered Lumen (lm): 114 / 122  
 Nominal Lumen (lm): 124 / 133  
 CRI: >90 CRI  
 Lamp Life (hrs): 50000  
 Upon Request: 3500K

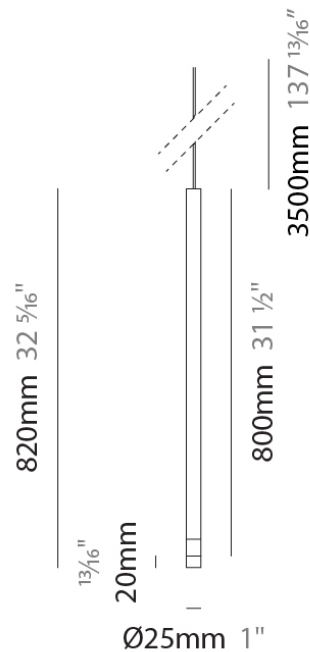
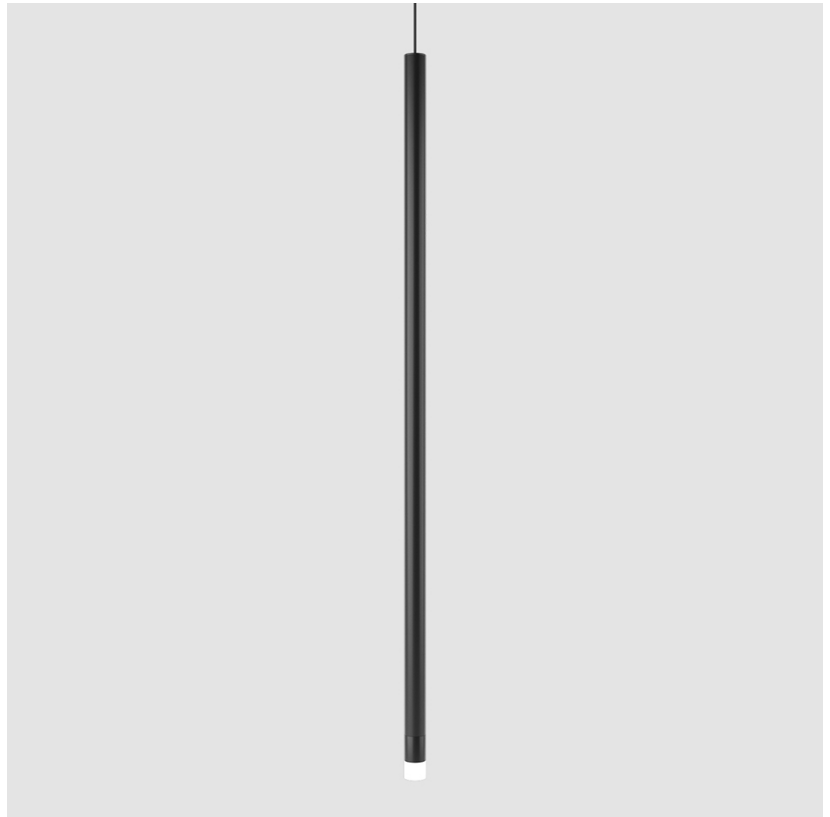
#### OPTICAL

Optic°: 12 / 28 / 44

#### RATINGS AND CERTIFICATIONS

Certified By: Certified for North American Standards  
 IP rating: IP41 (Damp)

PROJECT	
TYPE	
NOTES	
QUANTITY	
DATE	



## D20METRO-Y-SUS-SYS COMPONENTS

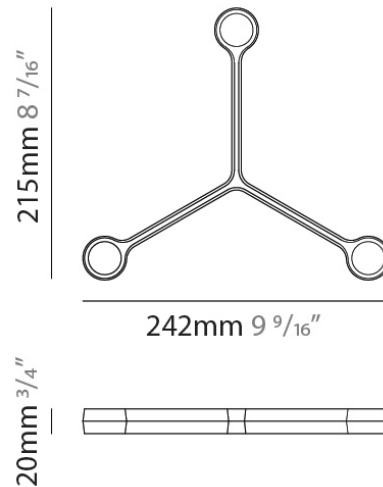
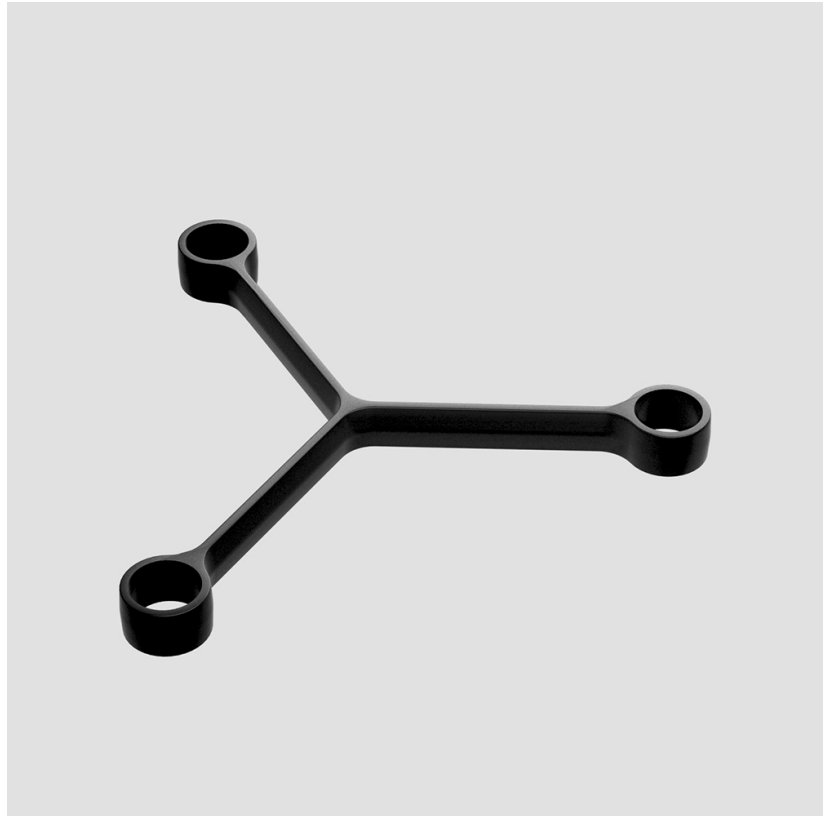
### D209000-

**DESCRIPTION**  
 Metropolis - Y-Connector

**GENERAL**  
 Series: Metropolis  
 Brand: Zaneen  
 Division: Design

**PHYSICAL**  
 Length (mm): 242  
 Length (in): 9 <sup>9</sup>/<sub>16</sub>"  
 Width (mm): 215  
 Width (in): 8 <sup>7</sup>/<sub>16</sub>"  
 Height (mm): 20  
 Height (in): 3/4  
 Fixture Finish: BLK / BRZ / IND  
 Fixture Material: Aluminum

**RATINGS AND CERTIFICATIONS**  
 Certified By: Certified for North American Standards  
 IP rating: IP41 (Damp)



PROJECT	_____
TYPE	_____
NOTES	_____
QUANTITY	_____
DATE	_____

## D20METRO-Y-SUS-SYS COMPONENTS

### D209003-

**DESCRIPTION**  
Metropolis - Recessed Canopy for remote application of power supply unit

#### GENERAL

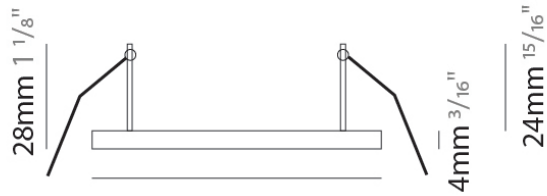
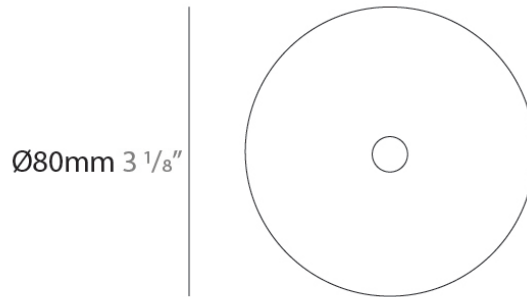
Series: Metropolis \_\_\_\_\_  
Brand: Zaneen \_\_\_\_\_  
Division: Design \_\_\_\_\_

#### PHYSICAL

Diameter (mm): 80 \_\_\_\_\_  
Diameter (in): 3 1/8 \_\_\_\_\_  
Height (mm): 30 \_\_\_\_\_  
Height (in): 1 3/16 \_\_\_\_\_  
Fixture Finish: WHI / BLK \_\_\_\_\_  
Fixture Material: Aluminum \_\_\_\_\_

#### RATINGS AND CERTIFICATIONS

Certified By: Certified for North American Standards \_\_\_\_\_  
IP rating: IP20 \_\_\_\_\_



## D20METRO-Y-SUS-SYS COMPONENTS SURFACE

PROJECT
TYPE
NOTES
QUANTITY
DATE

### D209900-1067-838-

#### DESCRIPTION

Metropolis Modular - Ceiling Holder Rectangle - 1067mm / 42" x 838mm / 33" (24 Hole) - Power supply provided is based on 24 LED fixtures (Consult factory for driver details if Blind fixtures chosen in design intent; power supply could vary)

#### GENERAL

Series: Metropolis  
 Subseries: Metropolis-Y Modular System  
 Brand: Zaneen  
 Division: Design  
 Mounting Type: Surface  
 Mounting Location: Ceiling

#### PHYSICAL

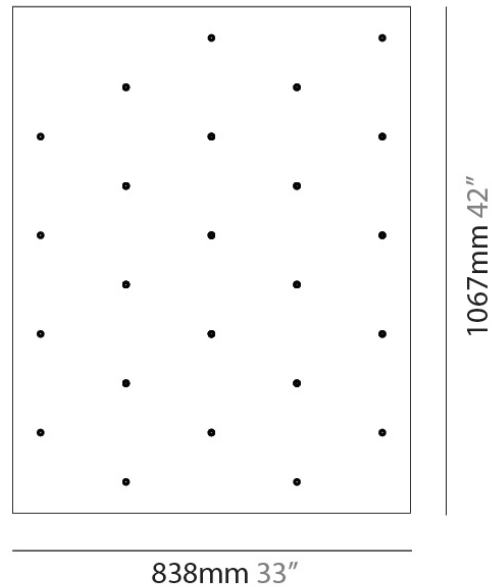
Shape: Rectangle  
 Length (mm): 1067  
 Length (in): 42  
 Width (mm): 838  
 Width (in): 33  
 Height (mm): 50  
 Height (in): 2  
 Fixture Finish: BLK / BRZ / IND / WHI  
 Fixture Material: Aluminum

#### ELECTRICAL

Lamp Type: LED  
 Dimming: Tri-Mode (Non-Dimming and Phase Dimming (120Vac only) and 0-10V Dimming)  
 Driver Included: Yes  
 Driver Location: Integrated  
 Driver Type: Constant Current - Universal  
 Driver Class: Class 2  
 Input Voltage (V): 120 - 277  
 Constant Current (MA): 700

#### RATINGS AND CERTIFICATIONS

Certified By: Certified for North American Standards  
 IP rating: IP20



PROJECT
TYPE
NOTES
QUANTITY
DATE

## D20METRO-Y-SUS-SYS COMPONENTS SURFACE

### D209900-1220-

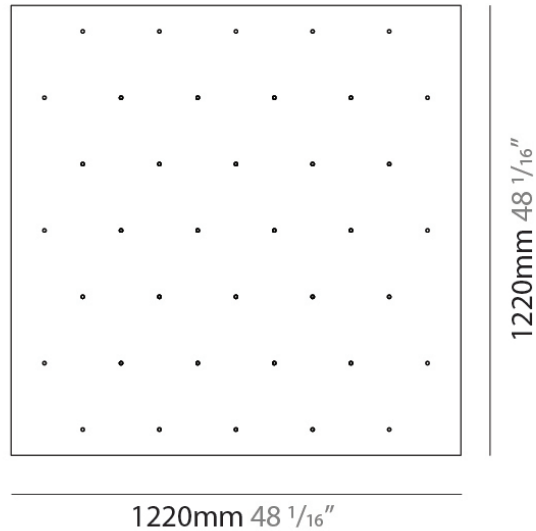
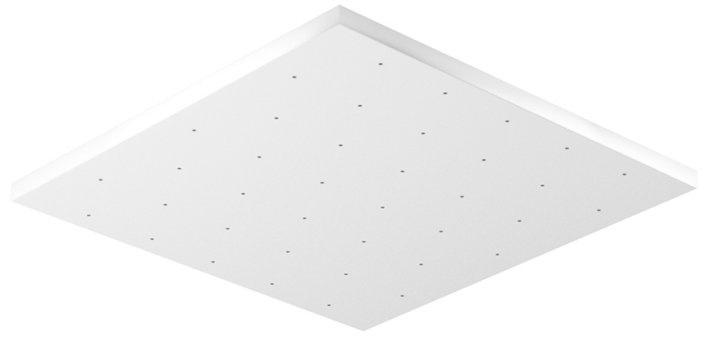
**DESCRIPTION**  
 Metropolis Modular - Ceiling Holder Square - 1220mm / 48 1/16" x 1220mm / 48 1/16" (38 Hole) - Power supply provided is based on 38 LED fixtures (Consult factory for driver details if Blind fixtures are to be chosen in design intent; power supply could vary)

**GENERAL**  
 Series: Metropolis  
 Subseries: Metropolis-Y Modular System  
 Brand: Zaneen  
 Division: Design  
 Mounting Type: Surface  
 Mounting Location: Ceiling

**PHYSICAL**  
 Shape: Square  
 Length (mm): 1220  
 Length (in): 48 1/16  
 Width (mm): 1220  
 Width (in): 48 1/16  
 Height (mm): 50  
 Height (in): 2  
 Fixture Finish: BLK / BRZ / IND / WHI  
 Fixture Material: Aluminum

**ELECTRICAL**  
 Lamp Type: LED  
 Dimming: Tri-Mode (Non-Dimming and Phase Dimming (120Vac only) and 0-10V Dimming)  
 Driver Included: Yes  
 Driver Location: Integrated  
 Driver Type: Constant Current - Universal  
 Driver Class: Class 2  
 Input Voltage (V): 120 - 277  
 Constant Current (MA): 700

**RATINGS AND CERTIFICATIONS**  
 Certified By: Certified for North American Standards  
 IP rating: IP20



PROJECT
TYPE
NOTES
QUANTITY
DATE

## D20METRO-Y-SUS-SYS COMPONENTS SURFACE

### D209900-1524-1220-

#### DESCRIPTION

Metropolis Modular - Ceiling Holder Rectangle - 1524mm / 60" x 1220mm / 49 1/16" (49 Hole) - Power supply provided is based on 49 LED fixtures (Consult factory for driver details if Blind fixtures chosen in design intent; power supply could vary)

#### GENERAL

Series: Metropolis  
 Subseries: Metropolis-Y Modular System  
 Brand: Zaneen  
 Division: Design  
 Mounting Type: Surface  
 Mounting Location: Ceiling

#### PHYSICAL

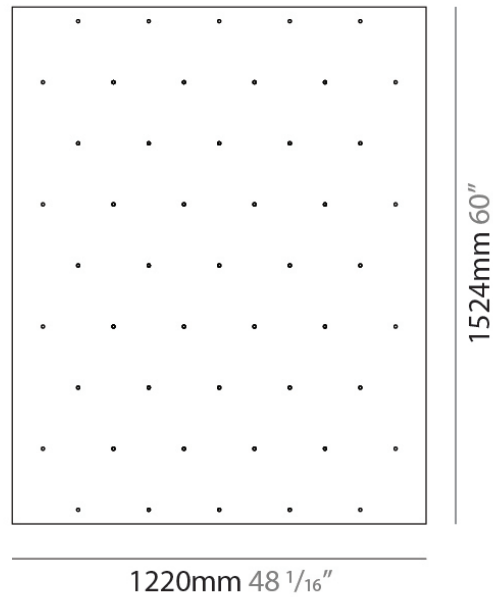
Shape: Rectangle  
 Length (mm): 1524  
 Length (in): 60  
 Width (mm): 1220  
 Width (in): 48 1/16  
 Height (mm): 50  
 Height (in): 2  
 Fixture Finish: BLK / BRZ / IND / WHI  
 Fixture Material: Aluminum

#### ELECTRICAL

Lamp Type: LED  
 Dimming: Tri-Mode (Non-Dimming and Phase Dimming (120Vac only) and 0-10V Dimming)  
 Driver Included: Yes  
 Driver Location: Integrated  
 Driver Class: Class 2  
 Input Voltage (V): 120 - 277  
 Constant Current (MA): 700

#### RATINGS AND CERTIFICATIONS

Certified By: Certified for North American Standards  
 IP rating: IP20



PROJECT
TYPE
NOTES
QUANTITY
DATE

## D20METRO-Y-SUS-SYS COMPONENTS SURFACE

### D209900-584-

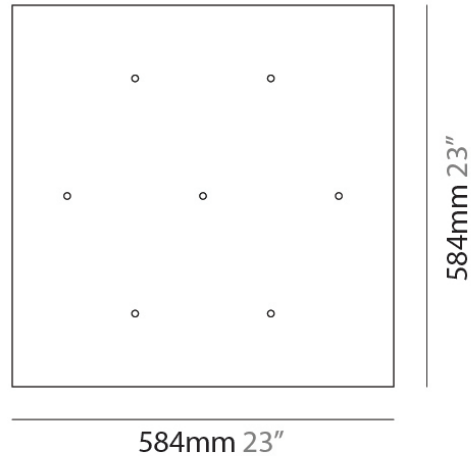
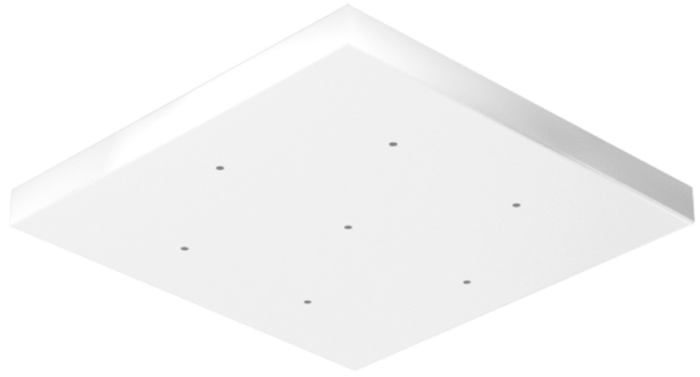
**DESCRIPTION**  
 Metropolis Modular - Ceiling Holder - Square - 584mm / 23" x 584mm / 23" (7 Hole) - Power supply provided is based on 7 LED fixtures (Consult factory for driver details if Blind fixtures chosen in design intent; power supply could vary)

**GENERAL**  
 Series: Metropolis  
 Subseries: Metropolis-Y Modular System  
 Brand: Zaneen  
 Division: Design  
 Mounting Type: Surface  
 Mounting Location: Ceiling

**PHYSICAL**  
 Shape: Square  
 Length (mm): 584  
 Length (in): 23  
 Width (mm): 584  
 Width (in): 23  
 Height (mm): 5  
 Height (in): 2  
 Fixture Finish: BLK / BRZ / IND / WHI  
 Fixture Material: Aluminum

**ELECTRICAL**  
 Lamp Type: LED  
 Dimming: Tri-Mode (Non-Dimming and Phase Dimming (120Vac only) and 0-10V Dimming)  
 Driver Included: Yes  
 Driver Location: Integrated  
 Driver Type: Constant Current - Universal  
 Driver Class: Class 2  
 Input Voltage (V): 120 - 277  
 Constant Current (MA): 700

**RATINGS AND CERTIFICATIONS**  
 Certified By: Certified for North American Standards  
 IP rating: IP20





PROJECT
TYPE
NOTES
QUANTITY
DATE

## D20METRO-Y-SUS-SYS COMPONENTS SURFACE

### D209900-854-758-

#### DESCRIPTION

Metropolis Modular - Ceiling Holder Rectangle - 854mm / 33 5/8" x 758mm / 29 13/16" (16 Hole) - Power supply provided is based on 16 LED fixtures (Consult factory for driver details if Blind fixtures chosen in design intent; power supply could vary)

#### GENERAL

Series: Metropolis  
 Subseries: Metropolis-Y Modular System  
 Brand: Zaneen  
 Division: Design  
 Mounting Type: Surface  
 Mounting Location: Ceiling

#### PHYSICAL

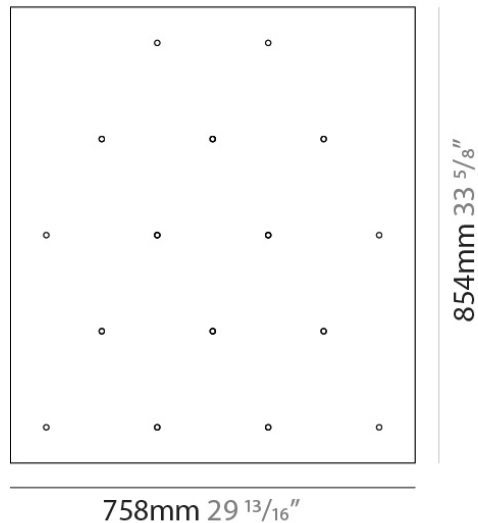
Shape: Rectangle  
 Length (mm): 854  
 Length (in): 33 5/8  
 Width (mm): 758  
 Width (in): 29 13/16  
 Height (mm): 50  
 Height (in): 2  
 Fixture Finish: BLK / BRZ / IND / WHI  
 Fixture Material: Aluminum

#### ELECTRICAL

Lamp Type: LED  
 Dimming: Tri-Mode (Non-Dimming and Phase Dimming (120Vac only) and 0-10V Dimming)  
 Driver Included: Yes  
 Driver Location: Integrated  
 Driver Type: Constant Current - Universal  
 Driver Class: Class 2  
 Input Voltage (V): 120 - 277  
 Constant Current (MA): 700

#### RATINGS AND CERTIFICATIONS

Certified By: Certified for North American Standards  
 IP rating: IP20



## D20METRO-Y-SUS-SYS COMPONENTS SURFACE

### D209900-932-

#### DESCRIPTION

Metropolis Modular - Ceiling Holder Square - 932mm / 36 11/16" x 932mm / 36 11/16" (22 Holes) - Power supply provided is based on 22 LED fixtures (Consult factory for driver details if Blind fixtures chosen in design intent; power supply could vary)

#### GENERAL

Series: Metropolis  
 Subseries: Metropolis-Y Modular System  
 Brand: Zaneen  
 Division: Design  
 Mounting Type: Surface  
 Mounting Location: Ceiling

#### PHYSICAL

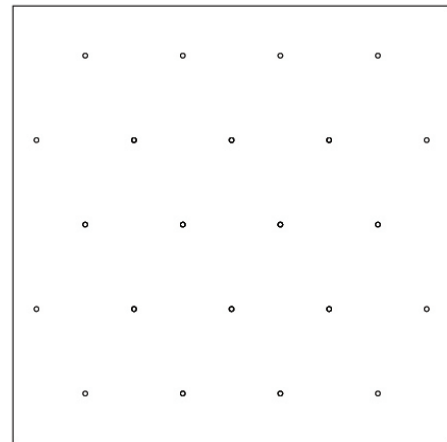
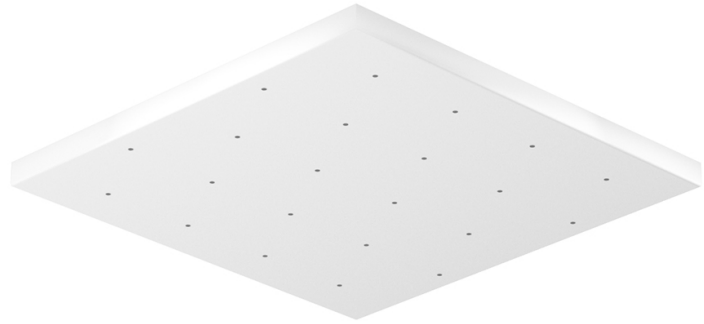
Shape: Square  
 Length (mm): 932  
 Length (in): 36 11/16  
 Width (mm): 932  
 Width (in): 36 11/16  
 Height (mm): 50  
 Height (in): 2  
 Fixture Finish: BLK / BRZ / IND / WHI  
 Fixture Material: Aluminum

#### ELECTRICAL

Lamp Type: LED  
 Dimming: Tri-Mode (Non-Dimming and Phase Dimming (120Vac only) and 0-10V Dimming)  
 Driver Included: Yes  
 Driver Location: Integrated  
 Driver Type: Constant Current - Universal  
 Driver Class: Class 2  
 Input Voltage (V): 120 - 277  
 Constant Current (MA): 700

#### RATINGS AND CERTIFICATIONS

Certified By: Certified for North American Standards  
 IP rating: IP20



932mm 36 11/16"

932mm 36 11/16"



PROJECT
TYPE
NOTES
QUANTITY
DATE

## D20METRO-Y-SUS-SYS COMPONENTS SURFACE

### D209901-1143-

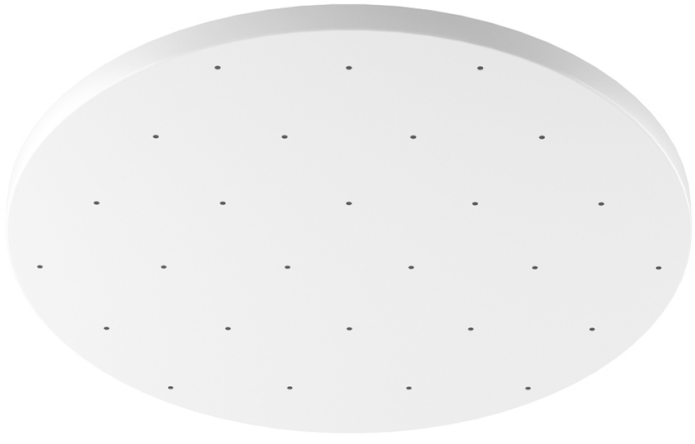
**DESCRIPTION**  
 Metropolis Modular - Ceiling Holder Round - 1143mm / 45" (27 Hole) - Power supply provided is based on 27 LED fixtures (Consult factory for driver details if Blind fixtures chosen in design intent; power supply could vary)

**GENERAL**  
 Series: Metropolis  
 Subseries: Metropolis-Y Modular System  
 Brand: Zaneen  
 Division: Design  
 Mounting Type: Surface  
 Mounting Location: Ceiling

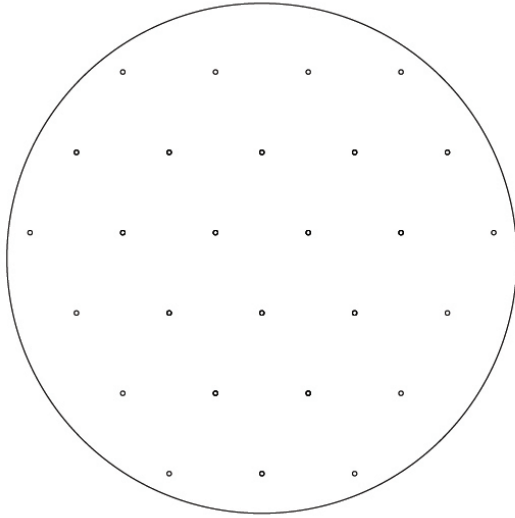
**PHYSICAL**  
 Shape: Rectangle  
 Diameter (mm): 1143  
 Diameter (in): 45  
 Height (mm): 50  
 Height (in): 2  
 Fixture Finish: BLK / BRZ / IND / WHI  
 Fixture Material: Aluminum

**ELECTRICAL**  
 Lamp Type: LED  
 Dimming: Tri-Mode (Non-Dimming and Phase Dimming (120Vac only) and 0-10V Dimming)  
 Driver Included: Yes  
 Driver Location: Integrated  
 Driver Type: Constant Current - Universal  
 Driver Class: Class 2  
 Input Voltage (V): 120 - 277  
 Constant Current (MA): 700

**RATINGS AND CERTIFICATIONS**  
 Certified By: Certified for North American Standards  
 IP rating: IP20



Ø1143mm 45"



## D20METRO-Y-SUS-SYS COMPONENTS SURFACE

### D209901-381-

#### DESCRIPTION

Metropolis Modular - Ceiling Holder Round - 381mm / 15" (3 Hole)

#### GENERAL

Series: Metropolis

Subseries: Metropolis-Y Modular System

Brand: Zaneen

Division: Design

Mounting Type: Surface

Mounting Location: Ceiling

#### PHYSICAL

Shape: Rectangle

Diameter (mm): 381

Diameter (in): 15

Height (mm): 50.8

Height (in): 2

Fixture Finish: BLK / BRZ / IND / WHI

Fixture Material: Aluminum

#### ELECTRICAL

Lamp Type: LED

Dimming: Tri-Mode (Non-Dimming and Phase Dimming (120Vac only) and 0-10V Dimming)

Driver Included: Yes

Driver Location: Integrated

Driver Type: Constant Current - Universal

Driver Class: Class 2

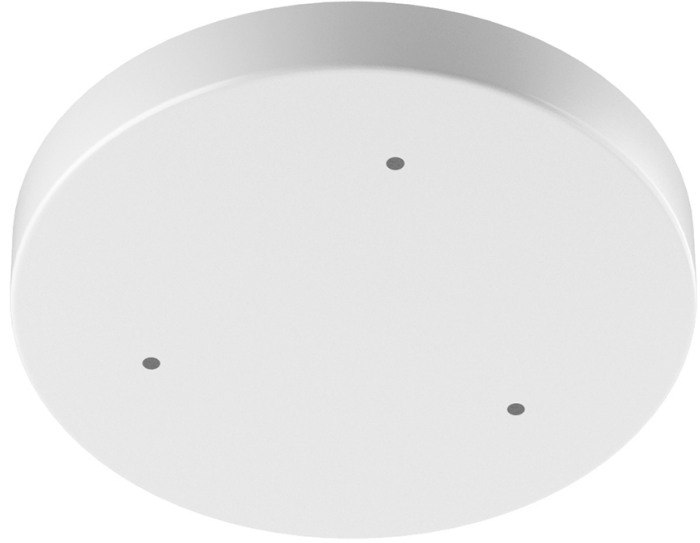
Input Voltage (V): 120 - 277

Constant Current (mA): 700

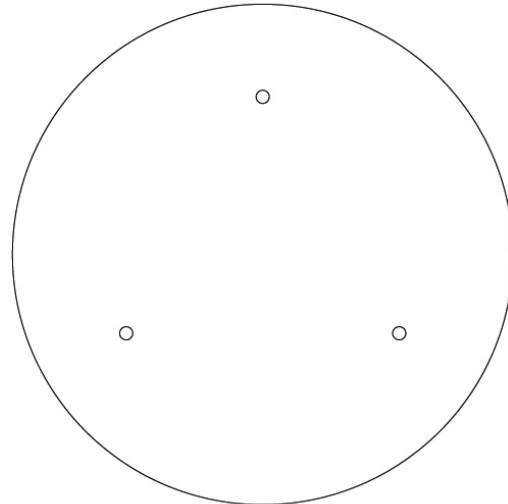
#### RATINGS AND CERTIFICATIONS

Certified By: Certified for North American Standards

IP rating: IP20



Ø381mm 15"



PROJECT	_____
TYPE	_____
NOTES	_____
QUANTITY	_____
DATE	_____

## D20METRO-Y-SUS-SYS COMPONENTS SURFACE

### D209901-635-

#### DESCRIPTION

Metropolis Modular - Ceiling Holder Round - 635mm / 25" (7 Hole) - Power supply provided is based on 7 LED fixtures (Consult factory for driver details if Blind fixtures chosen in design intent; power supply could vary)

#### GENERAL

Series: Metropolis  
Subseries: Metropolis-Y Modular System  
Brand: Zaneen  
Division: Design  
Mounting Type: Surface  
Mounting Location: Ceiling

#### PHYSICAL

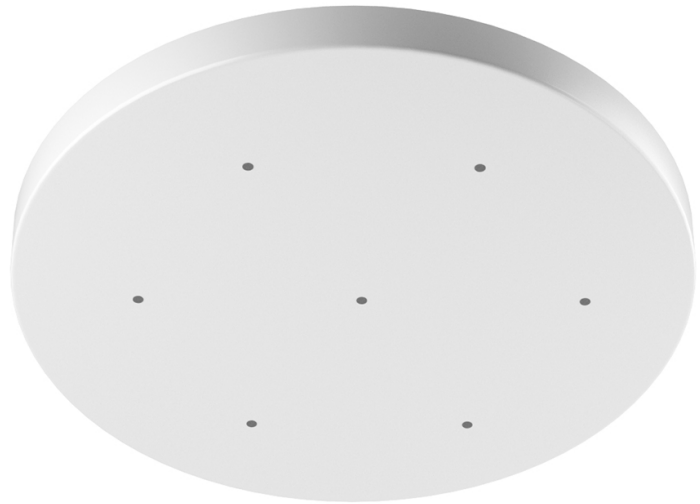
Shape: Round  
Diameter (mm): 635  
Diameter (in): 25  
Height (mm): 50  
Height (in): 2  
Fixture Finish: BLK / BRZ / IND / WHI  
Fixture Material: Aluminum

#### ELECTRICAL

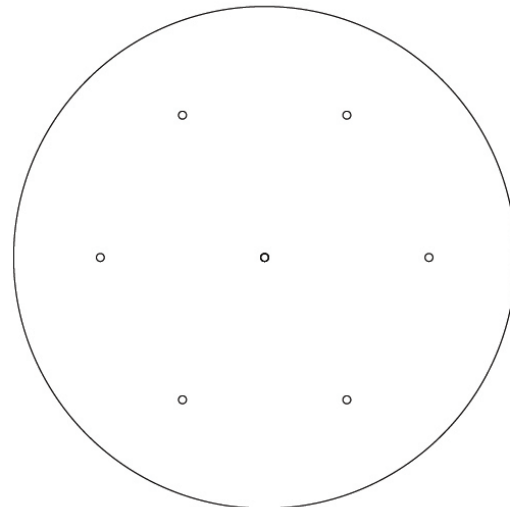
Lamp Type: LED  
Dimming: Tri-Mode (Non-Dimming and Phase Dimming (120Vac only) and 0-10V Dimming)  
Driver Included: Yes  
Driver Location: Integrated  
Driver Type: Constant Current - Universal  
Driver Class: Class 2  
Input Voltage (V): 120 - 277  
Constant Current (MA): 700

#### RATINGS AND CERTIFICATIONS

Certified By: Certified for North American Standards  
IP rating: IP20



Ø635mm 25"



PROJECT
TYPE
NOTES
QUANTITY
DATE

## D20METRO-Y-SUS-SYS COMPONENTS SURFACE

### D209902-1054-588-

#### DESCRIPTION

Metropolis Modular - Ceiling Holder Oval - 1054mm / 41 1/2" x 588mm / 23 1/8" (13 Hole) - Power supply provided is based on 13 LED fixtures (Consult factory for driver details if Blind fixtures chosen in design intent; power supply could vary)

#### GENERAL

Series: Metropolis  
 Subseries: Metropolis-Y Modular System  
 Brand: Zaneen  
 Division: Design  
 Mounting Type: Surface  
 Mounting Location: Ceiling

#### PHYSICAL

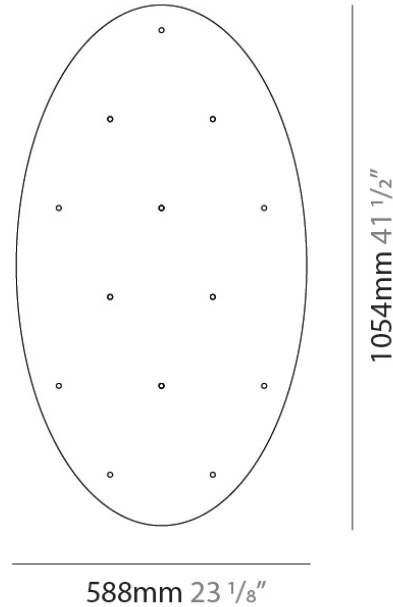
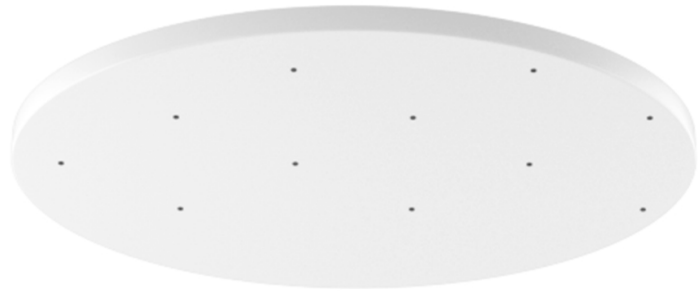
Shape: Oval  
 Length (mm): 1054  
 Length (in): 41 1/2  
 Width (mm): 588  
 Width (in): 23 1/8  
 Height (mm): 50  
 Height (in): 2  
 Fixture Finish: BLK / BRZ / IND / WHI  
 Fixture Material: Aluminum

#### ELECTRICAL

Lamp Type: LED  
 Dimming: Tri-Mode (Non-Dimming and Phase Dimming (120Vac only) and 0-10V Dimming)  
 Driver Included: Yes  
 Driver Location: Integrated  
 Driver Type: Constant Current - Universal  
 Driver Class: Class 2  
 Input Voltage (V): 120 - 277  
 Constant Current (MA): 700

#### RATINGS AND CERTIFICATIONS

Certified By: Certified for North American Standards  
 IP rating: IP20



PROJECT	
TYPE	
NOTES	
QUANTITY	
DATE	

## D20METRO-Y-SUS-SYS COMPONENTS SURFACE

### D209902-1269-772-

#### DESCRIPTION

Metropolis Modular - Ceiling Holder Oval - 1269mm / 49 15/16" x 772mm / 30 3/8" (21 Hole) - Power supply provided is based on 21 LED fixtures (Consult factory for driver details if Blind fixtures chosen in design intent; power supply could vary)

#### GENERAL

Series: Metropolis  
 Subseries: Metropolis-Y Modular System  
 Brand: Zaneen  
 Division: Design  
 Mounting Type: Surface  
 Mounting Location: Ceiling

#### PHYSICAL

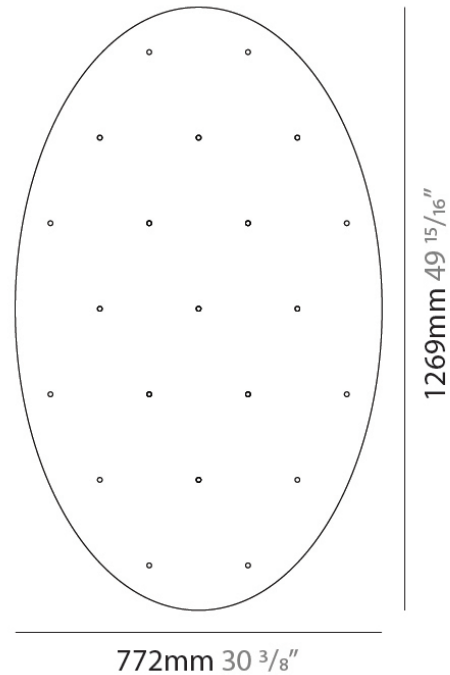
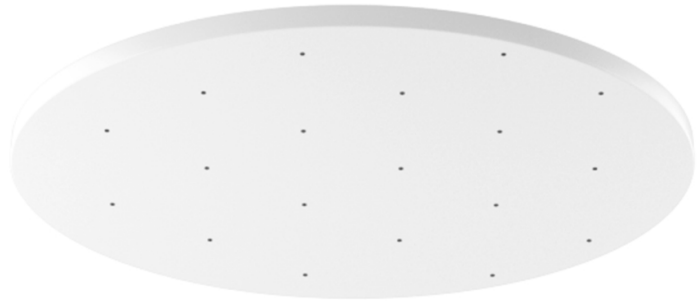
Shape: Oval  
 Length (mm): 1269  
 Length (in): 49 15/16  
 Width (mm): 772  
 Width (in): 30 3/8  
 Height (mm): 50  
 Height (in): 2  
 Fixture Finish: BLK / BRZ / IND / WHI  
 Fixture Material: Aluminum

#### ELECTRICAL

Lamp Type: LED  
 Dimming: Tri-Mode (Non-Dimming and Phase Dimming (120Vac only) and 0-10V Dimming)  
 Driver Included: Yes  
 Driver Location: Integrated  
 Driver Type: Constant Current - Universal  
 Driver Class: Class 2  
 Input Voltage (V): 120 - 277  
 Constant Current (MA): 700

#### RATINGS AND CERTIFICATIONS

Certified By: Certified for North American Standards  
 IP rating: IP20



PROJECT	
TYPE	
NOTES	
QUANTITY	
DATE	

## D20METRO-Y-SUS-SYS COMPONENTS SURFACE

### D209902-1524-1220-

#### DESCRIPTION

Metropolis Modular - Ceiling Holder Oval - 1524mm / 60" x 1220mm / 48 1/16" (38 Hole) - Power supply provided is based on 38 LED fixtures (Consult factory for driver details if Blind fixtures are to be chosen in design intent; power supply could vary)

#### GENERAL

Series: Metropolis  
 Subseries: Metropolis-Y Modular System  
 Brand: Zaneen  
 Division: Design  
 Mounting Type: Surface  
 Mounting Location: Ceiling

#### PHYSICAL

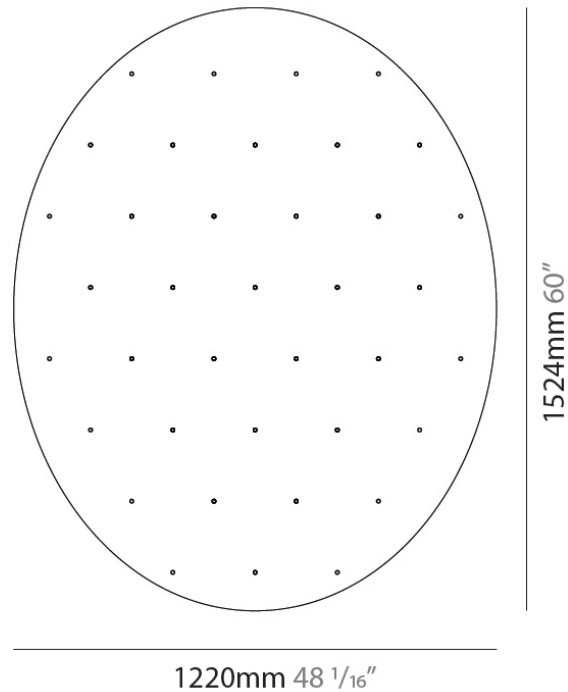
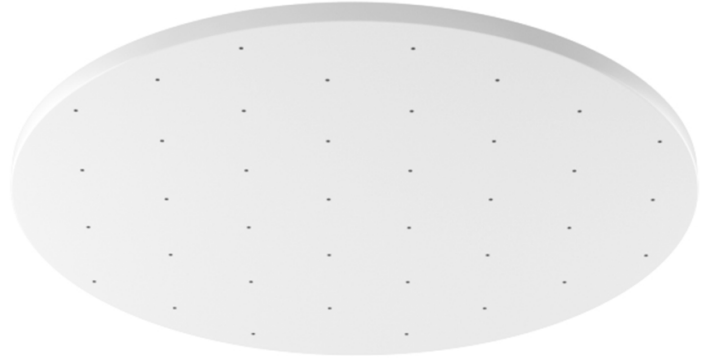
Shape: Oval  
 Length (mm): 1524  
 Length (in): 60  
 Width (mm): 1220  
 Width (in): 48 1/16  
 Height (mm): 50  
 Height (in): 2  
 Fixture Finish: BLK / BRZ / IND / WHI  
 Fixture Material: Aluminum

#### ELECTRICAL

Lamp Type: LED  
 Dimming: Tri-Mode (Non-Dimming and Phase Dimming (120Vac only) and 0-10V Dimming)  
 Driver Included: Yes  
 Driver Location: Integrated  
 Driver Type: Constant Current - Universal  
 Driver Class: Class 2  
 Input Voltage (V): 120 - 277  
 Constant Current (MA): 700

#### RATINGS AND CERTIFICATIONS

Certified By: Certified for North American Standards  
 IP rating: IP20





## D20METRO-Y-SUS-SYS COMPONENTS

### LEGEND

	floor-mounted		pivotal		special LED (upon request) RGB, RGBW, tunable, gold+, meat+, art+, fashion+
	wall and ceiling: recessed and surface mounted		rotating		warm dim / natural dimming LED
	ceiling-mounted and wall-mounted		illuminate tilted		rechargeable battery powered
	wall-mounted		color of suspension cable		fixture with natural vivid LED (upon request)
	omni-directional light distribution		length of suspension cable		color rendering index
	direct light distribution		reflector degree selection		color temperature
	direct/indirect light distribution		super spot		lumen (luminous flux)
	indirect light distribution		lens		efficacy (lumens per watt)
	asymmetric light distribution		lens pack		Unified Glare Rating (UGR) range from 5-40
	aura light distribution		shine ring		marine grade (AISI 316 stainless steel)
	round wall or ceiling cut-out		integrated shine ring with diffuser		walk on
	square wall or ceiling cut-out		free individual colors 01-29		drive on
	the supplied jig specifies the cutout dimensions		individual colors: 00 (free of charge), 01-25 (extra charge)		Dark Sky Compliance
	minimum distance (meters) lamp - object		luminaire part to be colored (F1)		Americans with Disabilities Act (less than 4" off the wall located between 27"-84" from floor)
	recessed depth		luminaire part to be colored (F2)		lamp protected against explosion
	ceiling thickness in mm		luminaire part to be colored (F3)		blown glass using traditional methods by master glass blower
	ceiling thickness selection		luminaire part to be colored (F4)		acoustic material
	dimmable DP (phase), DV (0-10V), DD (dali), DS (step-dim)		luminaire part to be colored (F5)		protection class I, protection insulation
	included or excluded LED driver/transformer/control gear		color of 3-circuit adaptor		protection class II, protection insulation
	separately switchable		indirect diffuser		ETL Certified to UL and CSA Standards
	sensor		direct diffuser		UL Certified to UL and CSA Standards
	remote control		ball-proof (upon request)		CSA Certified to UL and CSA Standards
	available upon request		accessory		Certified for North American Standards

### IP RATING

	protected against ingress of solid bodies greater than 12.5mm (finger)
	protected against ingress of solid bodies greater than 2.5mm protected against sprays of water up to 60 degrees from the vertical (rain)
	protected against ingress of solid bodies greater than 1mm (wire) no protection against the ingress of moisture
	protected against ingress of solid bodies greater than 1mm (wire) protected against sprays of water up to 60 degrees from the vertical (rain)
	protected against ingress of solid bodies greater than 1mm (wire) protected against water splashed from all directions
	protected against limited ingress of dust (wet rooms/covered outdoor areas) protected against water splashed from all directions
	protected against ingress of dust protected against jets of water
	protected against ingress of dust protected against powerful jets of water or heavy seas
	protected against ingress of dust protected against immersion of water between 15cm - 1m for 30 minutes
	protected against ingress of dust protected against immersion of water under pressure for long periods

### IK RATING

	protected against 0.14 joules impact (equivalent to 0.25kg mass dropped from 56mm above the surface)
	protected against 0.2 joules impact (equivalent to 0.25kg mass dropped from 80mm above the surface)
	protected against 0.35 joules impact (equivalent to 0.25kg mass dropped from 140mm above the surface)
	protected against 0.5 joules impact (equivalent to 0.25kg mass dropped from 200mm above the surface)
	protected against 0.7 joules impact (equivalent to 0.25kg mass dropped from 280mm above the surface)
	protected against 1 joules impact (equivalent to 0.25kg mass dropped from 400mm above the surface)
	protected against 2 joules impact (equivalent to 0.5kg mass dropped from 400mm above the surface)
	protected against 5 joules impact (equivalent to 1.7kg mass dropped from 300mm above the surface)
	protected against 10 joules impact (equivalent to 5.0kg mass dropped from 200mm above the surface)
	protected against 20 joules impact (equivalent to 5.0kg mass dropped from 400mm above the surface)