

D4BOL-SUS-SYS COMPONENTS SUSPENSION

D41071-

DESCRIPTION

Bolla - Modular Suspension, Ø200mm/7 7/8", 12W 24V, 2700K/3000K, Dimmable

GENERAL

Series: Bolla _____
Brand: Icone _____
Division: Design _____
Mounting Type: Suspension _____
Mounting Location: Ceiling _____
Subcategory: Modular _____

PHYSICAL

Shape: Sphere _____
Diameter (mm): 200 _____
Diameter (in): 7 7/8 _____
Light Distribution: Omnidirectional _____
Fixture Finish: OPL / SMK / WMK _____
Holder Finish: WHI / SMS _____
Fixture Material: Glass / Aluminum _____

ELECTRICAL

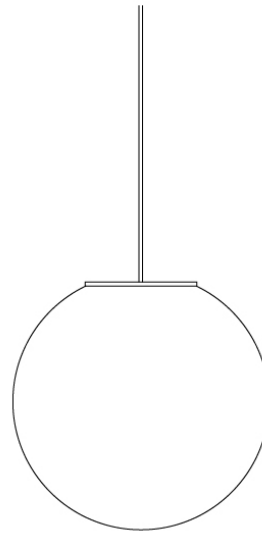
Input Wattage Range: 10 - 19 W _____
Lamp Type: LED (Zhaga Standard) _____
Input Wattage (W): 12 _____
Dimming: Non-Dimming / Phase Dimming (120vac Only) _____
Driver Included: Yes _____
Driver Location: Integrated _____
Driver Type: Constant Voltage - Universal _____
Driver Class: Class 2 _____
Input Voltage (V): 120 - 277 _____
Output Voltage (V): 24 _____

LED

Color Temperature (°K): 2700 / 3000 _____
CRI: >90 CRI _____
Lamp Life (hrs): 50000 _____

RATINGS AND CERTIFICATIONS

Certified By: CSA Certified to UL and CSA Standards _____
IP rating: IP20 _____



Ø200mm 7 7/8"



PROJECT	
TYPE	
NOTES	
QUANTITY	
DATE	

D4BOL-SUS-SYS COMPONENTS SUSPENSION

D41072-

DESCRIPTION
 Bolla - Suspension, Ø160mm/6 5/16", 7.5W 24V, 2700K/3000K, Dimmable

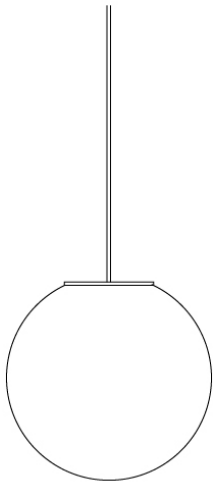
GENERAL
 Series: Bolla
 Brand: Icone
 Division: Design
 Mounting Type: Suspension
 Mounting Location: Ceiling
 Subcategory: Modular

PHYSICAL
 Shape: Sphere
 Diameter (mm): 160
 Diameter (in): 6 5/16
 Light Distribution: Omnidirectional
 Fixture Finish: OPL / SMK / WMK
 Holder Finish: WHI / SMS
 Fixture Material: Glass / Aluminum

ELECTRICAL
 Input Wattage Range: 1 - 9 W
 Lamp Type: LED
 Input Wattage (W): 7.5
 Dimming: Non-Dimming / Phase Dimming (120vac Only)
 Driver Included: Yes
 Driver Location: Integrated
 Driver Type: Constant Voltage - Universal
 Driver Class: Class 2
 Input Voltage (V): 120 - 277
 Output Voltage (V): 24

LED
 Color Temperature (°K): 2700 / 3000
 CRI: >90 CRI
 Lamp Life (hrs): 50000

RATINGS AND CERTIFICATIONS
 Certified By: CSA Certified to UL and CSA Standards
 IP rating: IP20



Ø160mm 6 5/16"



D4BOL-SUS-SYS COMPONENTS

D49040-

DESCRIPTION

Bolla - Canopy for 3 Lights

GENERAL

Series: Bolla

Brand: Icone

Division: Design

Subcategory: Modular

PHYSICAL

Shape: Sphere

Diameter (mm): 900

Diameter (in): 35 $\frac{7}{16}$ "

Fixture Finish: WHI / SMS

Fixture Material: Glass / Aluminum

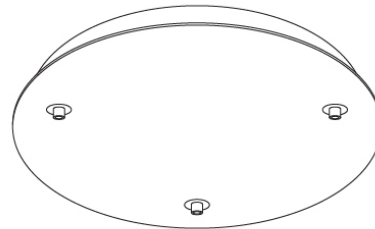
RATINGS AND CERTIFICATIONS

Certified By: CSA Certified to UL and CSA Standards

IP rating: IP20



Ø900mm 35 $\frac{7}{16}$ "



PROJECT	_____
TYPE	_____
NOTES	_____
QUANTITY	_____
DATE	_____

D4BOL-SUS-SYS COMPONENTS

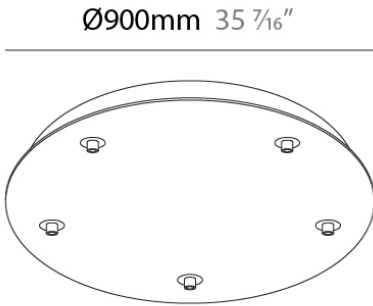
D49041-

DESCRIPTION
Bolla - Canopy for 5 Lights

GENERAL
Series: Bolla
Brand: Icone
Division: Design
Subcategory: Modular

PHYSICAL
Shape: Sphere
Diameter (mm): 900
Diameter (in): 35 ⁷/₁₆
Fixture Finish: WHI / SMS
Fixture Material: Glass / Aluminum

RATINGS AND CERTIFICATIONS
Certified By: CSA Certified to UL and CSA Standards
IP rating: IP20



D4BOL-SUS-SYS COMPONENTS

PROJECT _____

TYPE _____

NOTES _____

QUANTITY _____

DATE _____

D49042-

DESCRIPTION

Bolla - Canopy for 7 Lights

GENERAL

Series: Bolla

Brand: Icone

Division: Design

Subcategory: Modular

PHYSICAL

Shape: Sphere

Diameter (mm): 900

Diameter (in): 35 ⁷/₁₆"

Fixture Finish: WHI / SMS

Fixture Material: Glass / Aluminum

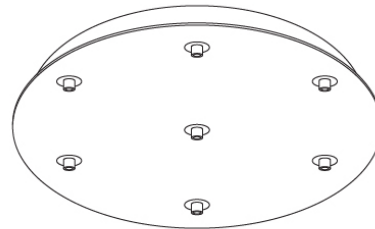
RATINGS AND CERTIFICATIONS

Certified By: CSA Certified to UL and CSA Standards

IP rating: IP20



Ø900mm 35 ⁷/₁₆"



PROJECT
TYPE
NOTES
QUANTITY
DATE

D4BOL-SUS-SYS COMPONENTS PORTABLE

D94041

GENERAL

Series: Linood
Brand: Milan
Division: Design
Mounting Type: Portable
Mounting Location: Floor
Subcategory: Ambient

PHYSICAL

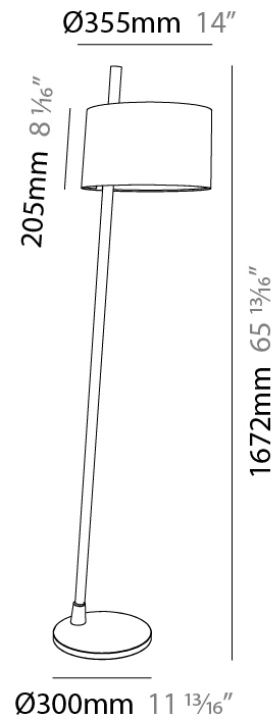
Diameter (mm): 355
Diameter (in): 14
Height (mm): 1672
Height (in): 65 13/16
Light Distribution: Direct / Indirect
Weight (kg): 5.9
Weight (lbs): 12.999
Diffuser: Linen Shade
Fixture Material: Oak Wood

ELECTRICAL

Number of Lamps: 1
Lamp Type: LED Retrofit
Lamp Shape: A19
Bulb Included: Bulb Not Included
Total Output Wattage (W): 12
Max. Wattage Per Lamp (W): 12
Lamp Base: E26
Input Voltage (V): 120
Upon Request: 277Vac / GU24

RATINGS AND CERTIFICATIONS

Certified By: CSA Certified to UL and CSA Standards
IP rating: IP20



PROJECT	
TYPE	
NOTES	
QUANTITY	
DATE	

LEGEND

floor-mounted	pivotal	special LED (upon request) RGB, RGBW, tunable, gold+, meat+, art+, fashion+
wall and ceiling: recessed and surface mounted	rotating	warm dim / natural dimming LED
ceiling-mounted and wall-mounted	illuminate tilted	rechargeable battery powered
wall-mounted	color of suspension cable	fixture with natural vivid LED (upon request)
omni-directional light distribution	length of suspension cable	color rendering index
direct light distribution	reflector degree selection	color temperature
direct/indirect light distribution	super spot	lumen (luminous flux)
indirect light distribution	lens	efficacy (lumens per watt)
asymmetric light distribution	lens pack	Unified Glare Rating (UGR) range from 5-40
aura light distribution	shine ring	marine grade (AISI 316 stainless steel)
round wall or ceiling cut-out	integrated shine ring with diffuser	walk on
square wall or ceiling cut-out	free individual colors 01-29	drive on
the supplied jig specifies the cutout dimensions	individual colors: 00 (free of charge), 01-25 (extra charge)	Dark Sky Compliance
minimum distance (meters) lamp - object	luminaire part to be colored (F1)	Americans with Disabilities Act (less than 4" off the wall located between 27"-84" from floor)
recessed depth	luminaire part to be colored (F2)	lamp protected against explosion
ceiling thickness in mm	luminaire part to be colored (F3)	blown glass using traditional methods by master glass blower
ceiling thickness selection	luminaire part to be colored (F4)	acoustic material
dimmable DP (phase), DV (0-10V), DD (dali), DS (step-dim)	luminaire part to be colored (F5)	protection class I, protection insulation
included or excluded LED driver/transformer/control gear	color of 3-circuit adaptor	protection class II, protection insulation
separately switchable	indirect diffuser	ETL Certified to UL and CSA Standards
sensor	direct diffuser	UL Certified to UL and CSA Standards
remote control	ball-proof (upon request)	CSA Certified to UL and CSA Standards
available upon request	accessory	Certified for North American Standards

IP RATING

IP20	protected against ingress of solid bodies greater than 12.5mm (finger)
IP33	protected against ingress of solid bodies greater than 2.5mm protected against sprays of water up to 60 degrees from the vertical (rain)
IP40	protected against ingress of solid bodies greater than 1mm (wire) no protection against the ingress of moisture
IP43	protected against ingress of solid bodies greater than 1mm (wire) protected against sprays of water up to 60 degrees from the vertical (rain)
IP44	protected against ingress of solid bodies greater than 1mm (wire) protected against water splashed from all directions
IP54	protected against limited ingress of dust (wet rooms/covered outdoor areas) protected against water splashed from all directions
IP65	protected against ingress of dust protected against jets of water
IP66	protected against ingress of dust protected against powerful jets of water or heavy seas
IP67	protected against ingress of dust protected against immersion of water between 15cm - 1m for 30 minutes
IP68	protected against ingress of dust protected against immersion of water under pressure for long periods

IK RATING

IK01	protected against 0.14 joules impact (equivalent to 0.25kg mass dropped from 56mm above the surface)
IK02	protected against 0.2 joules impact (equivalent to 0.25kg mass dropped from 80mm above the surface)
IK03	protected against 0.35 joules impact (equivalent to 0.25kg mass dropped from 140mm above the surface)
IK04	protected against 0.5 joules impact (equivalent to 0.25kg mass dropped from 200mm above the surface)
IK05	protected against 0.7 joules impact (equivalent to 0.25kg mass dropped from 280mm above the surface)
IK06	protected against 1 joules impact (equivalent to 0.25kg mass dropped from 400mm above the surface)
IK07	protected against 2 joules impact (equivalent to 0.5kg mass dropped from 400mm above the surface)
IK08	protected against 5 joules impact (equivalent to 1.7kg mass dropped from 300mm above the surface)
IK09	protected against 10 joules impact (equivalent to 5.0kg mass dropped from 200mm above the surface)
IK10	protected against 20 joules impact (equivalent to 5.0kg mass dropped from 400mm above the surface)