

## E9F430-HC- COMPONENTS

PROJECT

TYPE

NOTES

QUANTITY

DATE

### DLE0400024ME

#### DESCRIPTION

Magnitude - E40R24DC - Phase Dimming [Leading Edge] - 8-40W  
- 24Vdc - 120Vac - LED power supply

#### PHYSICAL

Length (mm): 125

Length (in): 4 <sup>15</sup>/<sub>16</sub>

Width (mm): 50

Width (in): 2 <sup>3</sup>/<sub>16</sub>

Height (mm): 19.55

Height (in): 13/16

Weight (kg): 0.255

Weight (lbs): 0.562

Fixture Material: Metal

#### ELECTRICAL

Lamp Type: LED

Total Output Wattage (W): 8-40

Dimming: Phase Dimming (120Vac Only)

Driver Type: Constant Voltage - 120Vac

Driver Class: Class 2

Input Voltage (V): 120

Output Voltage (V): 24

Constant Voltage (V): 24

#### RATINGS AND CERTIFICATIONS

Certified By: UR Listed

IP rating: IP67



## E9F430-HC- COMPONENTS

PROJECT

TYPE

NOTES

QUANTITY

DATE

### DPH0600024EL

#### DESCRIPTION

EMCOD - MLE60-24DC - Phase dimming (LE / TE) @120Vac only - 3-60W - 24Vdc - 120-277Vac - (Outdoor) LED power supply w/UL approved enclosure

#### GENERAL

Division: Architectural : Components : LED Drivers

#### PHYSICAL

Length (mm): 187.96

Length (in): 7 <sup>3</sup>/<sub>8</sub>

Width (mm): 91.94

Width (in): 3 <sup>5</sup>/<sub>8</sub>

Height (mm): 25.9

Height (in): 1

Weight (kg): 0.1

Weight (lbs): 0.24

Fixture Material: Metal

#### ELECTRICAL

Lamp Type: LED

Total Output Wattage (W): 3-60

Dimming: Phase Dimming (120Vac Only)

Driver Type: Constant Voltage - Universal

Input Voltage (V): 120 - 277

Output Voltage (V): 24

Constant Voltage (V): 24

#### LED

Efficiency (%): 90

#### RATINGS AND CERTIFICATIONS

Certified By: UL Listed

IP rating: IP67



## E9F430-HC- COMPONENTS

PROJECT

TYPE

NOTES

QUANTITY

DATE

### DVO0300024MUL-E

#### DESCRIPTION

Magnitude - CVD30L24DC - 0-10Vdc Dimming (1%) - 30W - 24Vdc  
- 120-277Vac - LED power supply w/UL Listed Enclosure

#### GENERAL

Division: Architectural : Components : LED Drivers

#### PHYSICAL

Length (mm): 290

Length (in): 11 <sup>27</sup>/<sub>64</sub>

Width (mm): 59.9

Width (in): 2 <sup>23</sup>/<sub>64</sub>

Height (mm): 35

Height (in): 1 <sup>3</sup>/<sub>8</sub>

#### ELECTRICAL

Lamp Type: LED

Total Output Wattage (W): 0-30

Dimming: 0-10V Dimming to 1%

Driver Type: Constant Voltage - Universal

Driver Class: Class 2

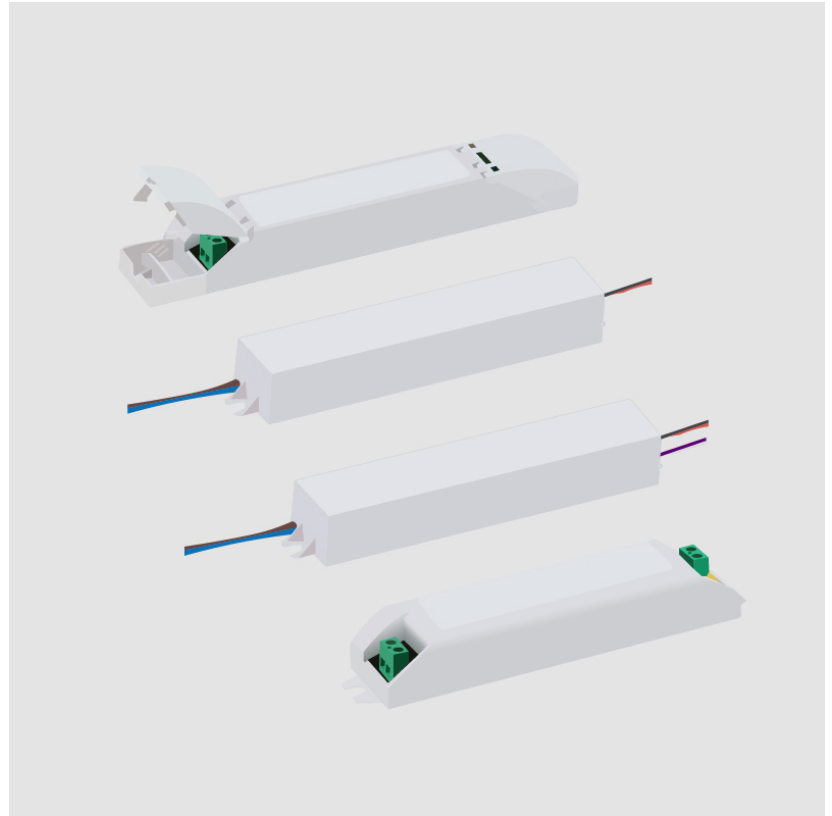
Input Voltage (V): 120 - 277

Output Voltage (V): 24

#### RATINGS AND CERTIFICATIONS

Certified By: UL Listed

IP rating: IP65



## E9F430-HC- COMPONENTS

### DVO0400024MB

#### DESCRIPTION

MeanWell - HLG-40H-24B - 1-10Vdc / Resistance / 10V PWM  
Dimming - 23.98-40W - 24Vdc - 120-277Vac - LED power supply -  
Used with ENCP8 - Available with IP68 - Outdoor Rated -  
Enclosure TBD

#### GENERAL

Division: Architectural : Components : LED Drivers

#### PHYSICAL

Length (mm): 171

Length (in): 6 <sup>47</sup>/<sub>64</sub>

Width (mm): 61

Width (in): 2 <sup>27</sup>/<sub>64</sub>

Height (mm): 37

Height (in): 1 <sup>29</sup>/<sub>64</sub>

Weight (kg): 0.74

Weight (lbs): 1.63

Fixture Material: Metal

#### ELECTRICAL

Lamp Type: LED

Total Output Wattage (W): 23.98-40

Dimming: 1-10V Dimming to 10%

Driver Type: Constant Voltage - Universal

Driver Class: Class 2

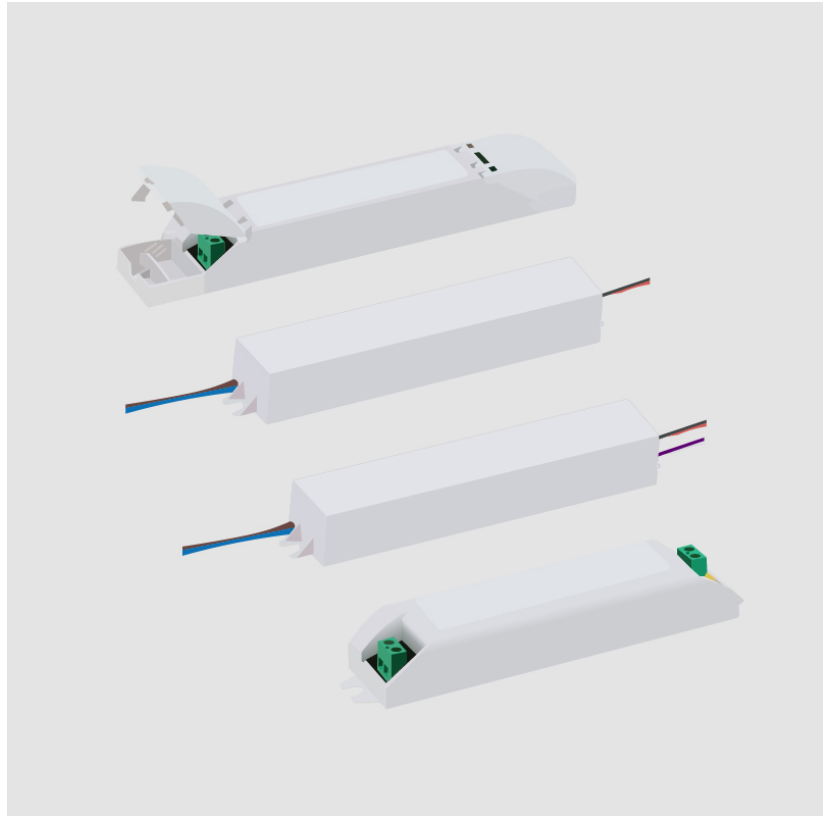
Input Voltage (V): 120 - 277

Output Voltage (V): 24

#### RATINGS AND CERTIFICATIONS

Certified By: UR Listed

IP rating: IP67



## E9F430-HC- COMPONENTS

PROJECT

TYPE

NOTES

QUANTITY

DATE

### E9A02300

#### DESCRIPTION

IP68 gel connector - max 2 x 0,75 mm<sup>2</sup>

#### GENERAL

Partner: Platek

Division: Exterior

#### PHYSICAL

Diameter (mm): 4.8

Diameter (in): 3/16

Length (mm): 6

Length (in): 1/4

Fixture Finish: BLK

Fixture Material: Plastic

#### RATINGS AND CERTIFICATIONS

Certified By: CSA Certified to UL and CSA Standards



## E9F430-HC- COMPONENTS

### E9A18400

#### DESCRIPTION

Anchor belt - Accessory

#### GENERAL

Partner: Platek

Division: Exterior

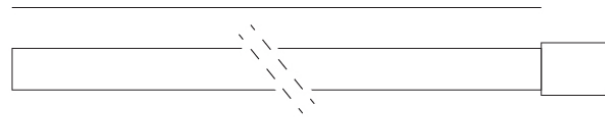
#### RATINGS AND CERTIFICATIONS

Certified By: Certified for North American Standards

IP rating: IP65



1000mm 39 3/8"



## E9F430-HC- COMPONENTS

|          |       |
|----------|-------|
| PROJECT  | _____ |
| TYPE     | _____ |
| NOTES    | _____ |
| QUANTITY | _____ |
| DATE     | _____ |

### E9A25400

#### DESCRIPTION

IP68 Gel Connector for parallel connection - max. 4 x 1.5 mm<sup>2</sup>  
Ø4.5 - 8.5 mm

#### GENERAL

Partner: Platek \_\_\_\_\_  
Division: Exterior \_\_\_\_\_

#### PHYSICAL

Fixture Material: Plastic \_\_\_\_\_

#### RATINGS AND CERTIFICATIONS

Certified By: Certified for North American Standards \_\_\_\_\_  
IP rating: IP65 \_\_\_\_\_



## E9F430-HC- COMPONENTS

### E9A50103

#### DESCRIPTION

Ring for tree application for Raygun 35, 50, 80

#### GENERAL

Series: Raygun

Partner: Platek

Division: Exterior

#### RATINGS AND CERTIFICATIONS

Certified By: Certified for North American Standards



## E9F430-HC- COMPONENTS

### E9A50105

#### DESCRIPTION

Raygun - 300mm/11 13/16" Stainless Steel Rod and Spike -  
Stainless Steel

#### GENERAL

Series: Raygun

Partner: Platek

Division: Exterior

#### PHYSICAL

Height (mm): 300

Height (in): 11 <sup>13</sup>/<sub>16</sub>

Fixture Finish: SST

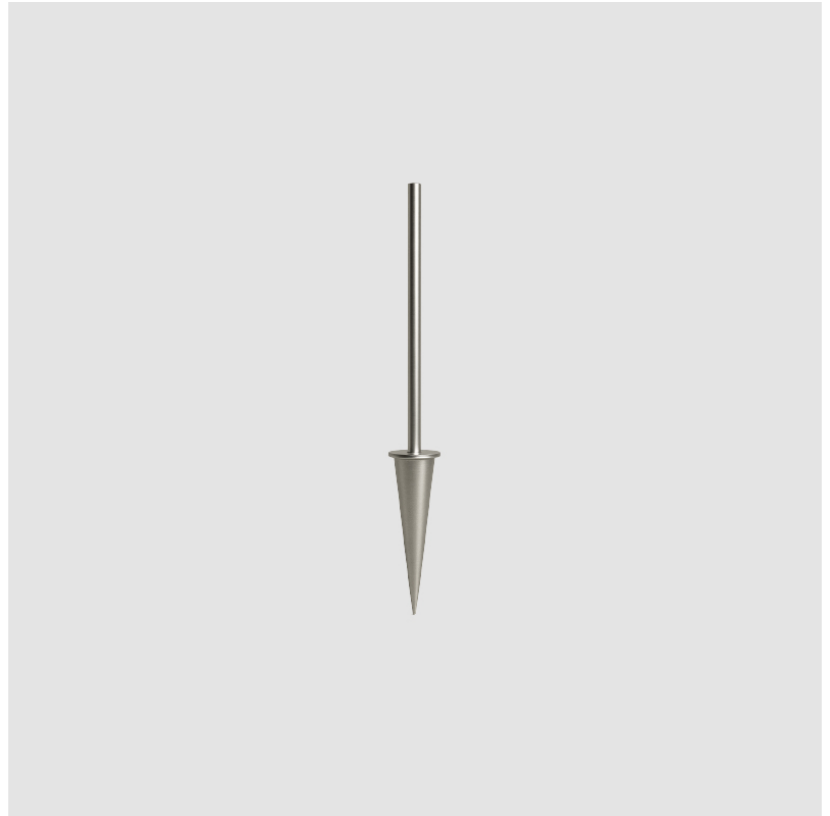
Fixture Material: Stainless Steel

Primary Material: Stainless Steel

#### RATINGS AND CERTIFICATIONS

Certified By: Certified for North American Standards

IP rating: IP65



## E9F430-HC- COMPONENTS

### E9A50106

#### DESCRIPTION

Raygun - 600mm/23 5/8" Stainless Steel Rod and Spike

#### GENERAL

Series: Raygun

Partner: Platek

Division: Exterior

#### PHYSICAL

Height (mm): 600

Height (in): 23 5/8

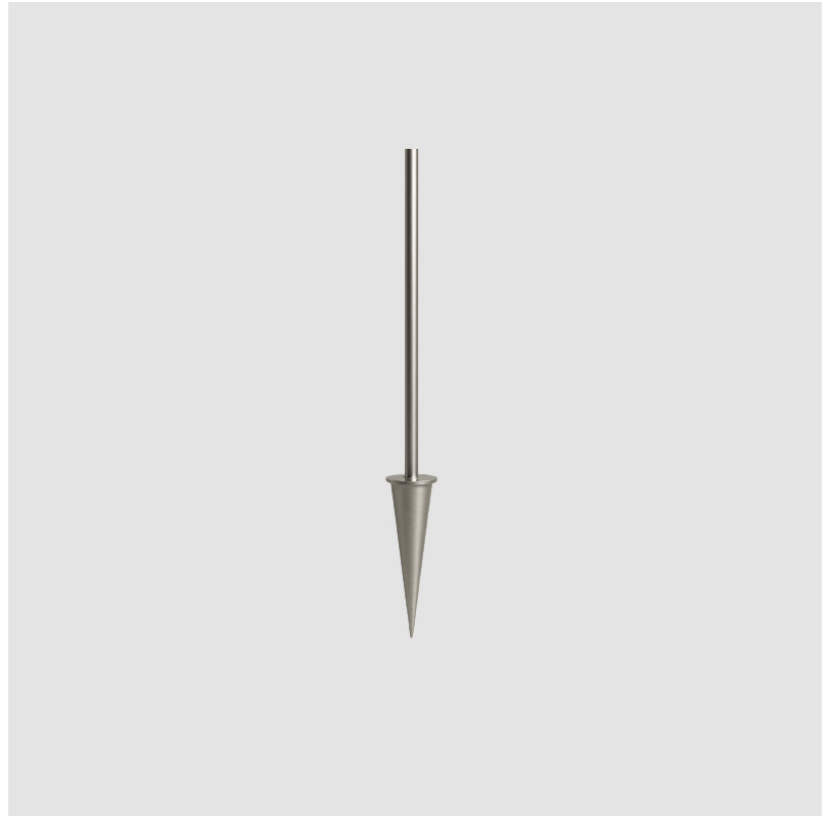
Fixture Material: Stainless Steel

Primary Material: Stainless Steel

#### RATINGS AND CERTIFICATIONS

Certified By: Certified for North American Standards

IP rating: IP65



## E9F430-HC- COMPONENTS

### E9A50107

#### DESCRIPTION

Raygun - 1100mm/43 5/16" Stainless Steel Rod and Spike

#### GENERAL

Series: Raygun

Partner: Platek

Division: Exterior

#### PHYSICAL

Height (mm): 1100

Height (in): 43 <sup>5</sup>/<sub>16</sub>

Fixture Finish: SST

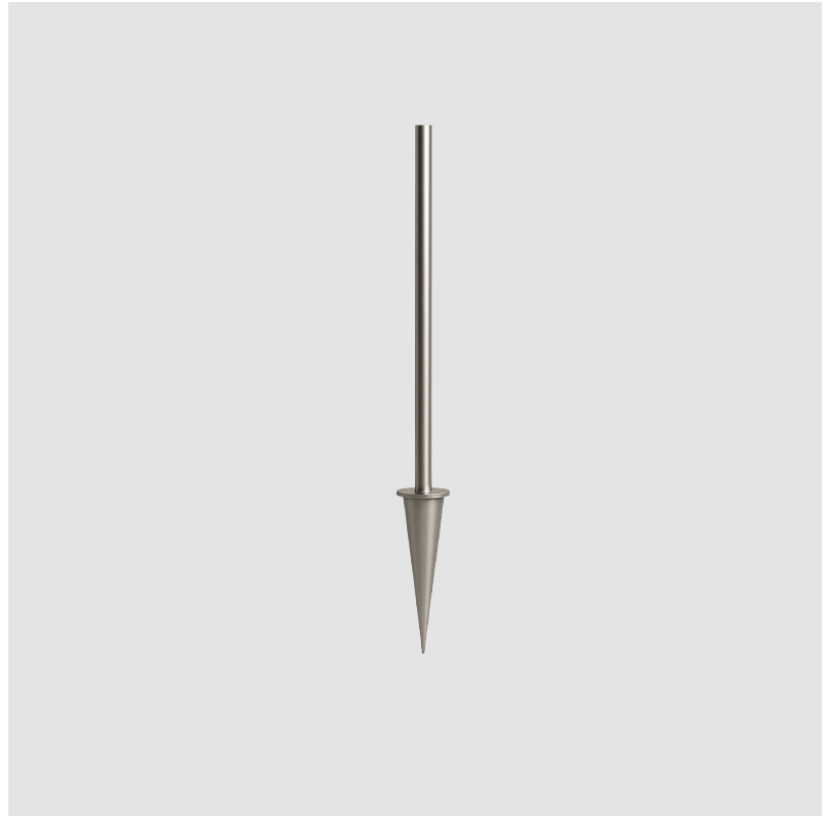
Fixture Material: Stainless Steel

Primary Material: Stainless Steel

#### RATINGS AND CERTIFICATIONS

Certified By: Certified for North American Standards

IP rating: IP65



## E9F430-HC- COMPONENTS

### E9A50108

#### DESCRIPTION

Raygun - 1700mm/66 15/16" Stainless Steel Rod and Spike

#### GENERAL

Series: Raygun

Partner: Platek

Division: Exterior

#### PHYSICAL

Height (mm): 1700

Height (in): 66 <sup>15</sup>/<sub>16</sub>

Fixture Finish: SST

Fixture Material: Stainless Steel

Primary Material: Stainless Steel

#### RATINGS AND CERTIFICATIONS

Certified By: Certified for North American Standards

IP rating: IP65



## E9F430-HC- COMPONENTS

PROJECT

TYPE

NOTES

QUANTITY

DATE

### E9A50116

#### DESCRIPTION

Raygun 50 Visor Stainless Steel

#### GENERAL

Series: Raygun

Partner: Platek

Division: Exterior

#### PHYSICAL

Diameter (mm): 52

Diameter (in): 2  $\frac{1}{16}$

Height (mm): 112

Height (in): 4  $\frac{7}{16}$

Fixture Finish: SST

Fixture Material: Stainless Steel

Primary Material: Stainless Steel

#### RATINGS AND CERTIFICATIONS

Certified By: Certified for North American Standards



## E9F430-HC- COMPONENTS

### E9A50117

#### DESCRIPTION

Raygun 50 Cylindrical Screen Stainless Steel

#### GENERAL

Series: Raygun

Partner: Platek

Division: Exterior

#### PHYSICAL

Diameter (mm): 52

Diameter (in): 2 <sup>1</sup>/<sub>16</sub>

Height (mm): 112

Height (in): 4 <sup>7</sup>/<sub>16</sub>

Fixture Finish: SST

Fixture Material: Stainless Steel

Primary Material: Stainless Steel

#### RATINGS AND CERTIFICATIONS

Certified By: Certified for North American Standards

IP rating: IP65



## E9F430-HC- COMPONENTS

|          |       |
|----------|-------|
| PROJECT  | _____ |
| TYPE     | _____ |
| NOTES    | _____ |
| QUANTITY | _____ |
| DATE     | _____ |

### ENCP1

#### DESCRIPTION

Empty Metal Enclosure for Driver - IP20 - Indoor Rated

#### GENERAL

Division: Architectural : Components

#### PHYSICAL

Shape: Rectangle

Length (mm): 197

Length (in): 7 ¾"

Width (mm): 41

Width (in): 1 ⅝"

Height (mm): 41

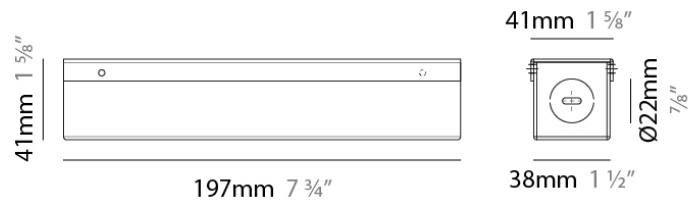
Height (in): 1 ⅝"

Screws: A4 stainless steel

Fixture Material: Metal

#### RATINGS AND CERTIFICATIONS

IP rating: IP20



## E9F430-HC- COMPONENTS

|          |       |
|----------|-------|
| PROJECT  | _____ |
| TYPE     | _____ |
| NOTES    | _____ |
| QUANTITY | _____ |
| DATE     | _____ |

### ENCP20

#### DESCRIPTION

Polycarbonate - IP68 - Outdoor Rated - UL listed - Power Supply Enclosure in Light Gray

#### GENERAL

Division: Architectural : Components

#### PHYSICAL

Shape: Rectangle

Length (mm): 160

Length (in): 6 <sup>5</sup>/<sub>16</sub>

Width (mm): 90

Width (in): 3 <sup>5</sup>/<sub>16</sub>

Height (mm): 61

Height (in): 2 <sup>3</sup>/<sub>8</sub>

Weight (kg): 0.24

Weight (lbs): 0.53

Screws: A4 stainless steel

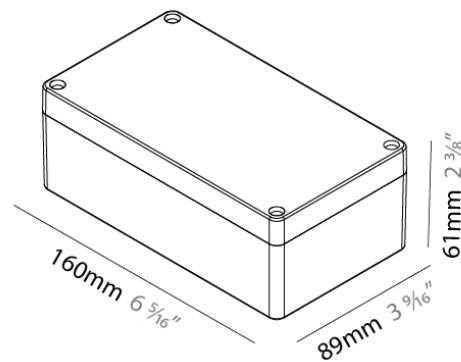
Gasket: 1554JGASKET

Fixture Material: Plastic

#### RATINGS AND CERTIFICATIONS

Certified By: UL Listed

IP rating: IP68



## E9F430-HC- COMPONENTS

### ENCP22

#### DESCRIPTION

Polycarbonate - IP68 - Outdoor Rated - UL listed - Power Supply Enclosure in Light Gray

#### GENERAL

Division: Architectural : Components

#### PHYSICAL

Shape: Rectangle

Length (mm): 238.8

Length (in): 9 <sup>13</sup>/<sub>32</sub>

Width (mm): 160

Width (in): 6 <sup>5</sup>/<sub>16</sub>

Height (mm): 60

Height (in): 2 <sup>3</sup>/<sub>8</sub>

Weight (kg): 0.51

Weight (lbs): 1.14

Screws: A4 stainless steel

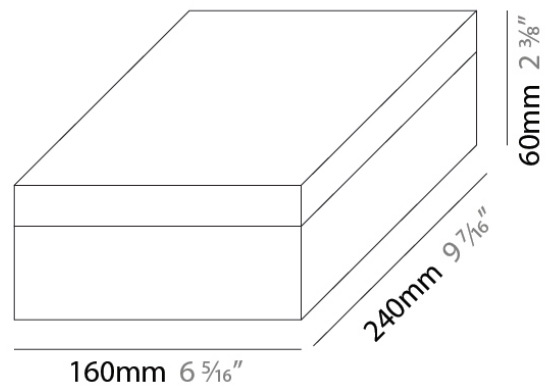
Gasket: 1554VAGASKET

Fixture Material: Plastic

#### RATINGS AND CERTIFICATIONS

Certified By: UL Listed

IP rating: IP68



|          |  |
|----------|--|
| PROJECT  |  |
| TYPE     |  |
| NOTES    |  |
| QUANTITY |  |
| DATE     |  |

## E9F430-HC- COMPONENTS

### ENCP4

#### DESCRIPTION

Empty Metal Enclosure for Driver - IP20 - Indoor Rated

#### GENERAL

Division: Architectural

#### PHYSICAL

Shape: Rectangle

Length (mm): 92

Length (in): 3 <sup>5</sup>/<sub>8</sub>

Width (mm): 68

Width (in): 2 <sup>11</sup>/<sub>16</sub>

Height (mm): 40

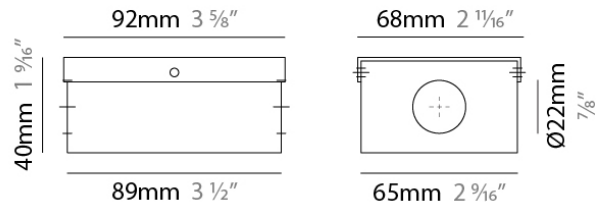
Height (in): 1 <sup>9</sup>/<sub>16</sub>

Screws: A4 stainless steel

Fixture Material: Metal

#### RATINGS AND CERTIFICATIONS

IP rating: IP20



|          |  |
|----------|--|
| PROJECT  |  |
| TYPE     |  |
| NOTES    |  |
| QUANTITY |  |
| DATE     |  |

## E9F430-HC- COMPONENTS

### ENCP6

#### DESCRIPTION

Empty Metal Enclosure for Driver - IP20 - Indoor Rated

#### GENERAL

Division: Architectural : Components

#### PHYSICAL

Shape: Rectangle

Length (mm): 178

Length (in): 7

Width (mm): 105

Width (in): 4 1/8

Height (mm): 54

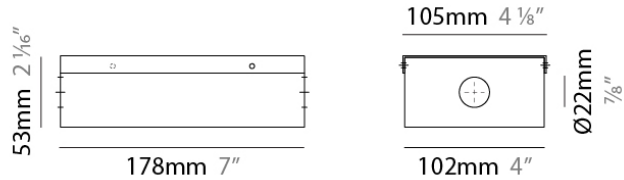
Height (in): 2 1/8

Screws: A4 stainless steel

Fixture Material: Metal

#### RATINGS AND CERTIFICATIONS

IP rating: IP20



|          |  |
|----------|--|
| PROJECT  |  |
| TYPE     |  |
| NOTES    |  |
| QUANTITY |  |
| DATE     |  |

## E9F430-HC- COMPONENTS

### ENCP8

#### DESCRIPTION

Empty Metal Enclosure for Driver - IP20 - Indoor Rated

#### GENERAL

Division: Architectural : Components

#### PHYSICAL

Shape: Rectangle

Length (mm): 305

Length (in): 12

Width (mm): 92

Width (in): 3 5/8

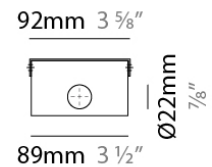
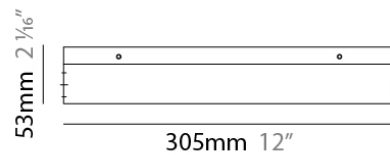
Height (mm): 54

Height (in): 2 1/8

Fixture Material: Metal

#### RATINGS AND CERTIFICATIONS

IP rating: IP20



### LEGEND

|  |   |  |  |  |  |
|--|---|--|--|--|--|
|  | floor-mounted   |  | pivotable  |  | special LED (upon request) RGB, RGBW, tunable, gold+, meat+, art+, fashion+                    |
|  | wall and ceiling: recessed and surface mounted            |  | rotating   |  | warm dim / natural dimming LED   |
|  | ceiling-mounted and wall-mounted                          |  | illuminate tilted  |  | rechargeable battery powered   |
|  | wall-mounted  |  | color of suspension cable                                    |  | fixture with natural vivid LED (upon request)  |
|  | omni-directional light distribution                       |  | length of suspension cable                                   |  | color rendering index  |
|  | direct light distribution                                 |  | reflector degree selection                                   |  | color temperature  |
|  | direct/indirect light distribution                        |  | super spot   |  | lumen (luminous flux)  |
|  | indirect light distribution                               |  | lens   |  | efficacy (lumens per watt)   |
|  | asymmetric light distribution                             |  | lens pack  |  | Unified Glare Rating (UGR) range from 5-40   |
|  | aura light distribution                                   |  | shine ring   |  | marine grade (AISI 316 stainless steel)  |
|  | round wall or ceiling cut-out                             |  | integrated shine ring with diffuser                          |  | walk on  |
|  | square wall or ceiling cut-out                            |  | free individual colors 01-29                                 |  | drive on   |
|  | the supplied jig specifies the cutout dimensions          |  | individual colors: 00 (free of charge), 01-25 (extra charge) |  | Dark Sky Compliance  |
|  | minimum distance (meters) lamp - object                   |  | luminaire part to be colored (F1)                            |  | Americans with Disabilities Act (less than 4" off the wall located between 27"-84" from floor) |
|  | recessed depth  |  | luminaire part to be colored (F2)                            |  | lamp protected against explosion   |
|  | ceiling thickness in mm                                   |  | luminaire part to be colored (F3)                            |  | blown glass using traditional methods by master glass blower                                   |
|  | ceiling thickness selection                               |  | luminaire part to be colored (F4)                            |  | acoustic material  |
|  | dimmable DP (phase), DV (0-10V), DD (dali), DS (step-dim) |  | luminaire part to be colored (F5)                            |  | protection class I, protection insulation  |
|  | included or excluded LED driver/transformer/control gear  |  | color of 3-circuit adaptor                                   |  | protection class II, protection insulation   |
|  | separately switchable                                     |  | indirect diffuser  |  | ETL Certified to UL and CSA Standards  |
|  | sensor  |  | direct diffuser  |  | UL Certified to UL and CSA Standards   |
|  | remote control  |  | ball-proof (upon request)                                    |  | CSA Certified to UL and CSA Standards  |
|  | available upon request                                    |  | accessory  |  | Certified for North American Standards   |

### IP RATING

|  |  |
|--|--|
|  | protected against ingress of solid bodies greater than 12.5mm (finger)   |
|  | protected against ingress of solid bodies greater than 2.5mm<br>protected against sprays of water up to 60 degrees from the vertical (rain)      |
|  | protected against ingress of solid bodies greater than 1mm (wire)<br>no protection against the ingress of moisture                               |
|  | protected against ingress of solid bodies greater than 1mm (wire)<br>protected against sprays of water up to 60 degrees from the vertical (rain) |
|  | protected against ingress of solid bodies greater than 1mm (wire)<br>protected against water splashed from all directions                        |
|  | protected against limited ingress of dust (wet rooms/covered outdoor areas)<br>protected against water splashed from all directions              |
|  | protected against ingress of dust<br>protected against jets of water   |
|  | protected against ingress of dust<br>protected against powerful jets of water or heavy seas  |
|  | protected against ingress of dust<br>protected against immersion of water between 15cm - 1m for 30 minutes                                       |
|  | protected against ingress of dust<br>protected against immersion of water under pressure for long periods  |

### IK RATING

|  |   |
|--|---|
|  | protected against 0.14 joules impact (equivalent to 0.25kg mass dropped from 56mm above the surface)  |
|  | protected against 0.2 joules impact (equivalent to 0.25kg mass dropped from 80mm above the surface)   |
|  | protected against 0.35 joules impact (equivalent to 0.25kg mass dropped from 140mm above the surface) |
|  | protected against 0.5 joules impact (equivalent to 0.25kg mass dropped from 200mm above the surface)  |
|  | protected against 0.7 joules impact (equivalent to 0.25kg mass dropped from 280mm above the surface)  |
|  | protected against 1 joules impact (equivalent to 0.25kg mass dropped from 400mm above the surface)    |
|  | protected against 2 joules impact (equivalent to 0.5kg mass dropped from 400mm above the surface)     |
|  | protected against 5 joules impact (equivalent to 1.7kg mass dropped from 300mm above the surface)     |
|  | protected against 10 joules impact (equivalent to 5.0kg mass dropped from 200mm above the surface)    |
|  | protected against 20 joules impact (equivalent to 5.0kg mass dropped from 400mm above the surface)    |