

E9FROGMOD COMPONENTS

PROJECT _____

TYPE _____

NOTES _____

QUANTITY _____

DATE _____

E9A32700

DESCRIPTION

Frog - Visor Accessory

GENERAL

Series: Frog

Brand: Platek

Division: Exterior

PHYSICAL

Fixture Material: Metal

RATINGS AND CERTIFICATIONS

Certified By: Certified for North American Standards

IP rating: IP65



E9FROGMOD COMPONENTS

PROJECT	_____
TYPE	_____
NOTES	_____
QUANTITY	_____
DATE	_____

E9A32800

DESCRIPTION
Frog - Honeycomb Filter Accessory

GENERAL
Series: Frog
Brand: Platek
Division: Exterior

PHYSICAL
Fixture Material: Plastic

RATINGS AND CERTIFICATIONS
Certified By: Certified for North American Standards
IP rating: IP65



E9FROGMOD COMPONENTS

PROJECT _____

TYPE _____

NOTES _____

QUANTITY _____

DATE _____

E9A332-

DESCRIPTION

Frog - Base with Pole - H. 160mm

GENERAL

Series: Frog

Brand: Platek

Division: Exterior

PHYSICAL

Height (mm): 160

Fixture Finish: BLK / BRZ

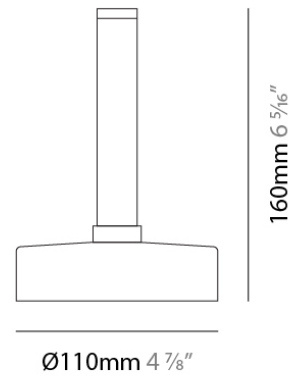
Fixture Material: Metal

Upon Request: Finishes - White, Green Forest, Corten

RATINGS AND CERTIFICATIONS

Certified By: Certified for North American Standards

IP rating: IP66



E9FROGMOD COMPONENTS

PROJECT	_____
TYPE	_____
NOTES	_____
QUANTITY	_____
DATE	_____

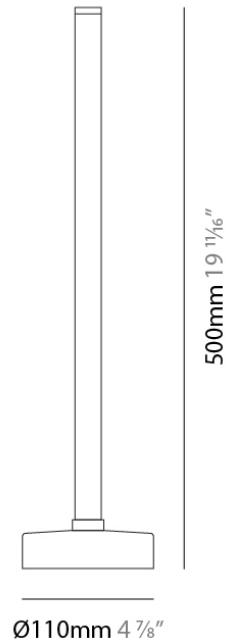
E9A333-

DESCRIPTION
Frog - Base with Pole - H. 500mm

GENERAL
Series: Frog
Brand: Platek
Division: Exterior

PHYSICAL
Height (mm): 500
Fixture Finish: BLK / BRZ
Fixture Material: Metal
Upon Request: Finishes - White, Green Forest, Corten

RATINGS AND CERTIFICATIONS
Certified By: Certified for North American Standards
IP rating: IP66



E9FROGMOD COMPONENTS

PROJECT _____

TYPE _____

NOTES _____

QUANTITY _____

DATE _____

E9A334-

DESCRIPTION

Frog - Base with Pole - H. 1100mm

GENERAL

Series: Frog

Brand: Platek

Division: Exterior

PHYSICAL

Height (mm): 1100

Fixture Finish: BLK / BRZ

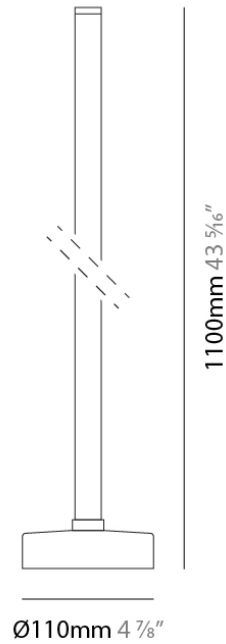
Fixture Material: Metal

Upon Request: Finishes - White, Green Forest, Corten

RATINGS AND CERTIFICATIONS

Certified By: Certified for North American Standards

IP rating: IP66



E9FROGMOD COMPONENTS

E9A335-

DESCRIPTION

Frog - Floor - H. 2300mm

GENERAL

Series: Frog

Brand: Platek

Division: Exterior

PHYSICAL

Height (mm): 2300

Fixture Finish: BLK / BRZ

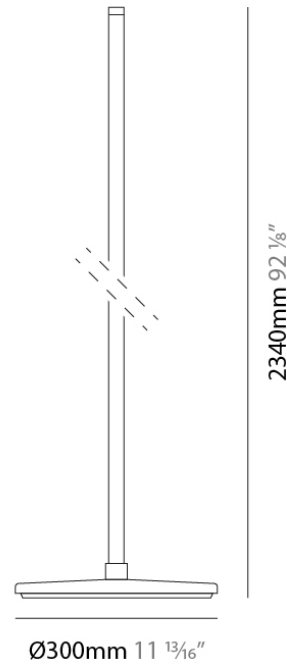
Fixture Material: Metal

Upon Request: Finishes - White, Green Forest, Corten

RATINGS AND CERTIFICATIONS

Certified By: Certified for North American Standards

IP rating: IP66



E9FROGMOD COMPONENTS

E9A33600

DESCRIPTION
IP68 Gel Connector - 3 x 1.5mm²

GENERAL
Brand: Platek
Division: Exterior

PHYSICAL
Fixture Material: Glass

RATINGS AND CERTIFICATIONS
Certified By: Certified for North American Standards
IP rating: IP68

PROJECT
TYPE
NOTES
QUANTITY
DATE



E9FROGMOD COMPONENTS

PROJECT	_____
TYPE	_____
NOTES	_____
QUANTITY	_____
DATE	_____

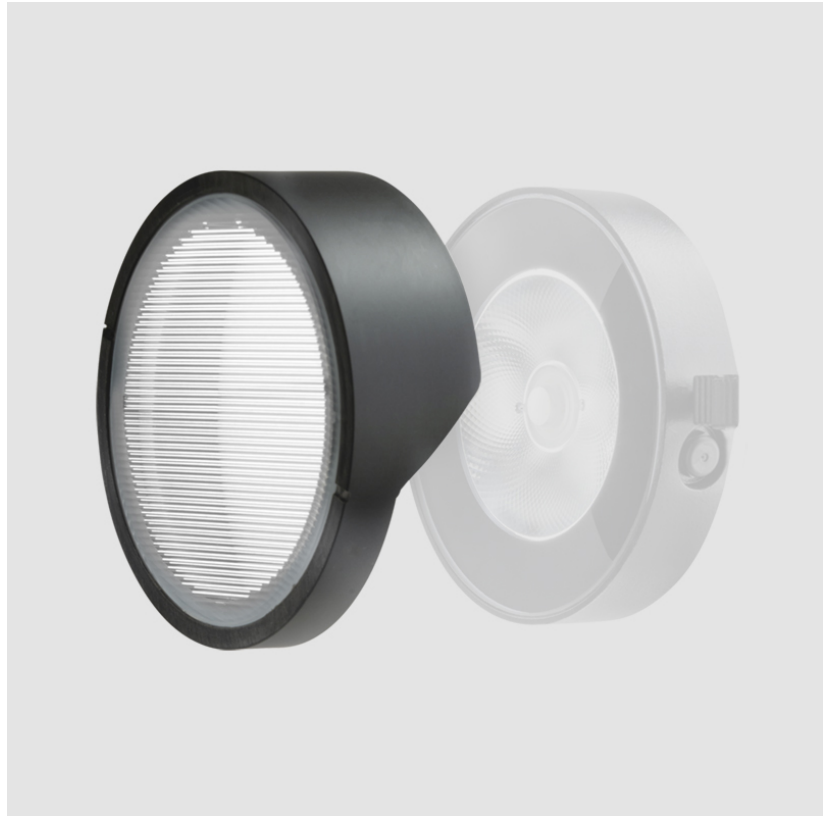
E9A33700

DESCRIPTION
Frog - Epillictical Filter

GENERAL
Series: Frog
Brand: Platek
Division: Exterior

PHYSICAL
Fixture Material: Glass

RATINGS AND CERTIFICATIONS
Certified By: Certified for North American Standards



PROJECT	_____
TYPE	_____
NOTES	_____
QUANTITY	_____
DATE	_____

E9FROGMOD COMPONENTS

E9A33800

DESCRIPTION

Frog - Extensive Filter

GENERAL

Series: Frog

Brand: Platek

Division: Exterior

PHYSICAL

Fixture Material: Glass

RATINGS AND CERTIFICATIONS

Certified By: Certified for North American Standards

IP rating: IP66



E9FROGMOD COMPONENTS

E9A34200

DESCRIPTION

Frog - Bollard Base with spike

GENERAL

Series: Frog

Brand: Platek

Division: Exterior

PHYSICAL

Fixture Material: Metal

RATINGS AND CERTIFICATIONS

Certified By: Certified for North American Standards

IP rating: IP65

PROJECT

TYPE

NOTES

QUANTITY

DATE



E9FROGMOD COMPONENTS

PROJECT _____

TYPE _____

NOTES _____

QUANTITY _____

DATE _____

E9A343-

DESCRIPTION

Frog - Pole with Spike - H. 160mm

GENERAL

Series: Frog

Brand: Platek

Division: Exterior

PHYSICAL

Height (mm): 160

Fixture Finish: BLK / BRZ

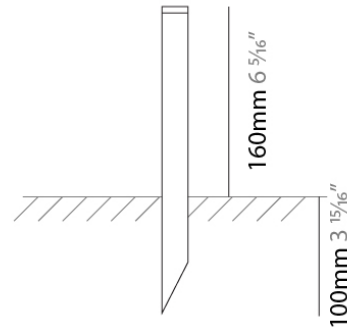
Fixture Material: Metal

Upon Request: Finishes - White, Green Forest, Corten

RATINGS AND CERTIFICATIONS

Certified By: Certified for North American Standards

IP rating: IP66



E9FROGMOD COMPONENTS

PROJECT	
TYPE	
NOTES	
QUANTITY	
DATE	

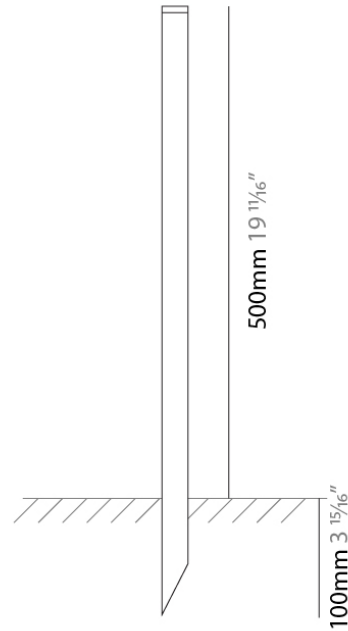
E9A344-

DESCRIPTION
Frog - Pole with Spike - H. 500mm

GENERAL
Series: Frog
Brand: Platek
Division: Exterior

PHYSICAL
Height (mm): 500
Fixture Finish: BLK / BRZ
Fixture Material: Metal
Upon Request: Finishes - White, Green Forest, Corten

RATINGS AND CERTIFICATIONS
Certified By: Certified for North American Standards
IP rating: IP66



E9FROGMOD COMPONENTS

PROJECT _____

TYPE _____

NOTES _____

QUANTITY _____

DATE _____

E9A345-

DESCRIPTION

Frog - Pole with Spike - H. 1100mm

GENERAL

Series: Frog

Brand: Platek

Division: Exterior

PHYSICAL

Height (mm): 1100

Fixture Finish: BLK / BRZ

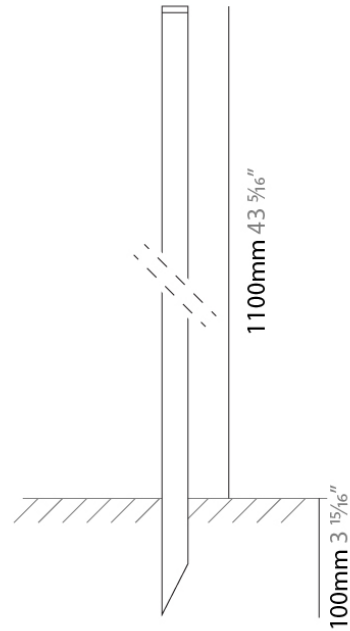
Fixture Material: Metal

Upon Request: Finishes - White, Green Forest, Corten

RATINGS AND CERTIFICATIONS

Certified By: Certified for North American Standards

IP rating: IP66



E

E9FROGMOD COMPONENTS

PROJECT _____

TYPE _____

NOTES _____

QUANTITY _____

DATE _____

E9A35200

DESCRIPTION

Frog - Epillictical Visor

GENERAL

Series: Frog

Brand: Platek

Division: Exterior

PHYSICAL

Fixture Material: Metal

RATINGS AND CERTIFICATIONS

Certified By: Certified for North American Standards

IP rating: IP65



E9FROGMOD COMPONENTS

E9A35300

DESCRIPTION

Frog - Extensive Visor

GENERAL

Series: Frog

Brand: Platek

Division: Exterior

PHYSICAL

Fixture Material: Metal

RATINGS AND CERTIFICATIONS

Certified By: Certified for North American Standards

IP rating: IP65



E9FROGMOD COMPONENTS

E9A38000

DESCRIPTION

Frog - Honeycomb Fliter to be used in addtion to flters/visors

GENERAL

Series: Frog

Brand: Platek

Division: Exterior

PHYSICAL

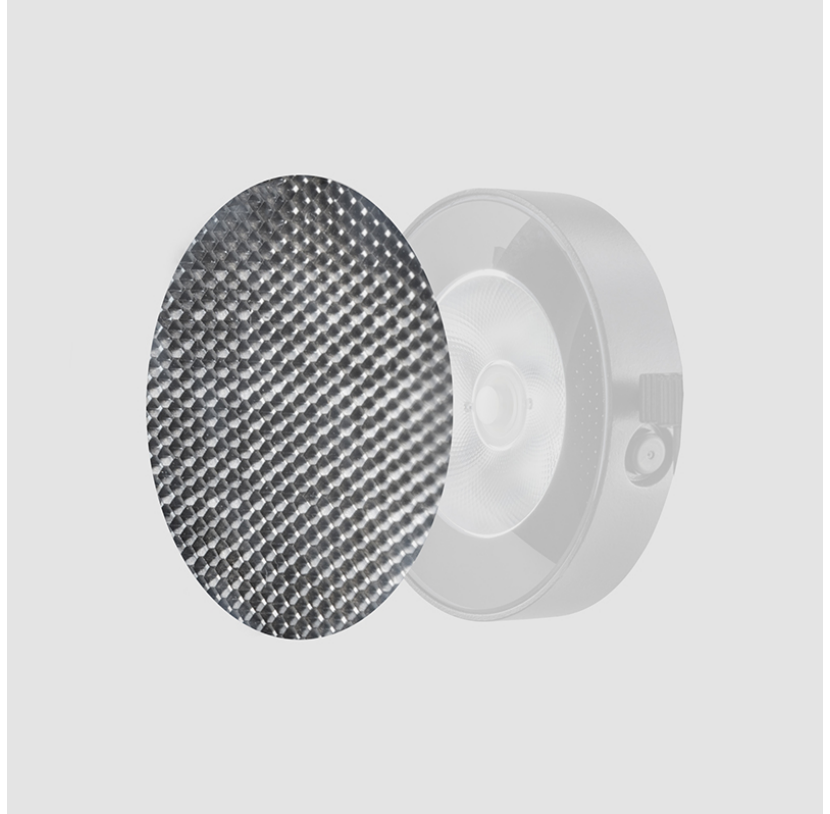
Fixture Finish: BLK

Fixture Material: Plastic

RATINGS AND CERTIFICATIONS

Certified By: Certified for North American Standards

IP rating: IP65



E9FROGMOD COMPONENTS

PROJECT
TYPE
NOTES
QUANTITY
DATE

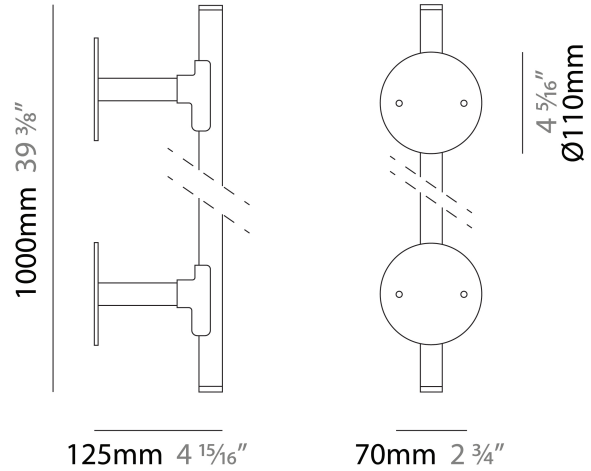
E9A50016-

DESCRIPTION
 Frog - Support rod wall/ceiling 1000 mm

GENERAL
 Series: Frog
 Brand: Platek
 Division: Exterior

PHYSICAL
 Height (mm): 1000
 Height (in): 39 ³/₈
 Fixture Material: Metal
 Upon Request: Finishes - White, Green Forest, Corten

RATINGS AND CERTIFICATIONS
 Certified By: Certified for North American Standards
 IP rating: IP66



E9FROGMOD COMPONENTS

PROJECT	_____
TYPE	_____
NOTES	_____
QUANTITY	_____
DATE	_____

E9A50017-

DESCRIPTION

Frog - Support rod wall/ceiling 2000mm / 78 3/4"

GENERAL

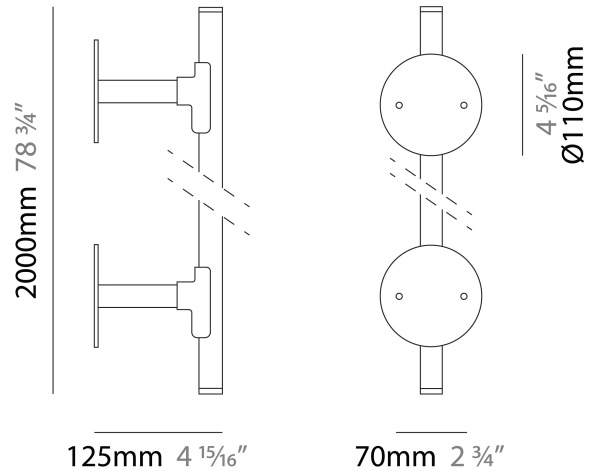
Series: Frog
Brand: Platek
Division: Exterior

PHYSICAL

Height (mm): 1000
Height (in): 39 3/8
Fixture Material: Metal
Upon Request: Finishes - White, Green Forest, Corten

RATINGS AND CERTIFICATIONS

Certified By: Certified for North American Standards
IP rating: IP66



E9FROGMOD COMPONENTS

E9A50018-

DESCRIPTION

Frog - Single box for 1 head Frog 170 x 170 x h. 100 mm

GENERAL

Series: Frog

Brand: Platek

Division: Exterior

PHYSICAL

Fixture Material: Metal

RATINGS AND CERTIFICATIONS

Certified By: Certified for North American Standards

IP rating: IP66

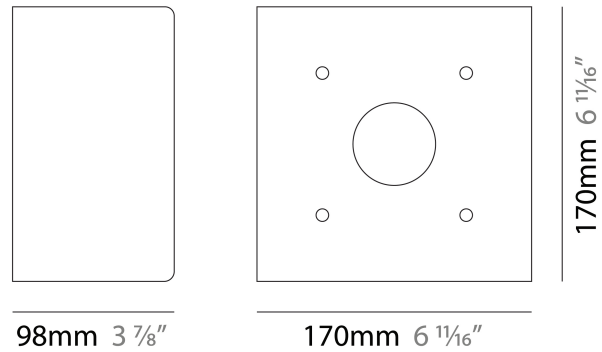
PROJECT

TYPE

NOTES

QUANTITY

DATE



E9FROGMOD COMPONENTS

E9A50019-

DESCRIPTION

Frog - Double box for 2 heads Frog 365 x 170 x h. 100 mm

GENERAL

Series: Frog

Brand: Platek

Division: Exterior

PHYSICAL

Fixture Material: Metal

RATINGS AND CERTIFICATIONS

Certified By: Certified for North American Standards

IP rating: IP66

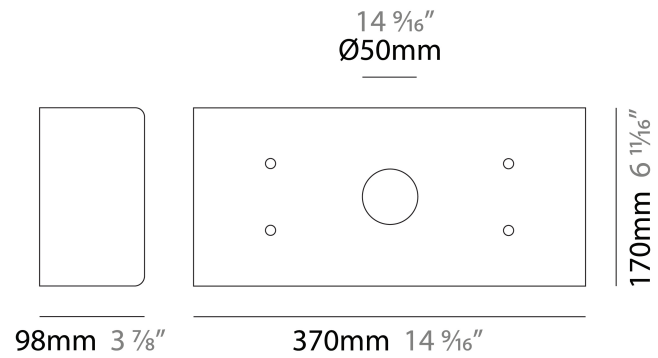
PROJECT

TYPE

NOTES

QUANTITY

DATE



E9FROGMOD COMPONENTS

PROJECT _____

TYPE _____

NOTES _____

QUANTITY _____

DATE _____

E9A50028

DESCRIPTION

Frog - Visor with Elliptical Filter - Black

GENERAL

Series: Frog

Brand: Platek

Division: Exterior

PHYSICAL

Fixture Material: Metal

RATINGS AND CERTIFICATIONS

Certified By: Certified for North American Standards

IP rating: IP65



E9FROGMOD COMPONENTS

E9A50055

DESCRIPTION

Frog - Honeycomb Filter 2.0 (to be used in addition to filters / visors) - Black

GENERAL

Series: Frog
Brand: Platek
Division: Exterior

PHYSICAL

Fixture Material: Metal

RATINGS AND CERTIFICATIONS

Certified By: Certified for North American Standards
IP rating: IP65

PROJECT	_____
TYPE	_____
NOTES	_____
QUANTITY	_____
DATE	_____



E9FROGMOD COMPONENTS

E9A50056

DESCRIPTION

Frog - Visor 2.0 - Black

GENERAL

Series: Frog

Brand: Platek

Division: Exterior

PHYSICAL

Diameter (mm): 112

Diameter (in): 4 $\frac{7}{16}$

Depth (mm): 34

Depth (in): 1 $\frac{5}{16}$

Fixture Material: Metal

RATINGS AND CERTIFICATIONS

Certified By: Certified for North American Standards

IP rating: IP65



E9FROGMOD COMPONENTS

E9A50057

DESCRIPTION

Frog - Honeycomb Filter 2.0 (to be used in addition to filters / visors) - Black

GENERAL

Series: Frog _____

Brand: Platek _____

Division: Exterior _____

PHYSICAL

Diameter (mm): 112 _____

Diameter (in): 4 $\frac{7}{16}$ _____

Depth (mm): 34 _____

Depth (in): 1 $\frac{3}{16}$ _____

Fixture Material: Metal _____

RATINGS AND CERTIFICATIONS

Certified By: Certified for North American Standards _____

IP rating: IP65 _____



E9FROGMOD COMPONENTS

E9A50058

DESCRIPTION

Frog - Junction Box for one floodlight, included IP68 Connector for 3x1,5.mm2 cable

GENERAL

Series: Frog _____

Brand: Platek _____

Division: Exterior _____

PHYSICAL

Length (mm): 120 _____

Length (in): 4 ³/₄ _____

Width (mm): 70 _____

Width (in): 2 ³/₄ _____

Depth (mm): 50 _____

Depth (in): 1 ¹⁵/₁₆ _____

Fixture Material: Metal _____

RATINGS AND CERTIFICATIONS

Certified By: Certified for North American Standards _____

IP rating: IP65 _____



E9FROGMOD COMPONENTS

PROJECT	_____
TYPE	_____
NOTES	_____
QUANTITY	_____
DATE	_____

E9A50059

DESCRIPTION

Frog - Junction Box for Two floodlight, included IP68 Connector for 3x1,5,mm2 cable

GENERAL

Series: Frog _____
Brand: Platek _____
Division: Exterior _____

PHYSICAL

Length (mm): 220 _____
Length (in): 8 $\frac{11}{16}$ _____
Width (mm): 70 _____
Width (in): 2 $\frac{3}{4}$ _____
Depth (mm): 50 _____
Depth (in): 1 $\frac{15}{16}$ _____
Fixture Material: Metal _____

RATINGS AND CERTIFICATIONS

Certified By: Certified for North American Standards _____
IP rating: IP65 _____



E9FROGMOD COMPONENTS POST

E9F373-

DESCRIPTION

Frog - Projector- Ø105mm / 4 1/8" - 9.6W LED - 3000K / 4000K - 120Vac Direct Line - Optics 26° / 45° / 102° - ELV Dimming

GENERAL

Series: Frog _____
 Brand: Platek _____
 Division: Exterior _____
 Mounting Type: Post _____
 Mounting Location: Above Ground _____
 Subcategory: Flood _____

PHYSICAL

Shape: Round _____
 Diameter (mm): 105 _____
 Diameter (in): 4 1/8 _____
 Width (mm): 25 _____
 Width (in): 1 _____
 Light Distribution: Adjustable / Direct _____
 Weight (kg): 0.6 _____
 Weight (lbs): 1.32 _____
 Screws: No visible screws _____
 Diffuser: Clear tempered glass _____
 Gasket: Gore-Tex (R) Valve _____
 Fixture Finish: BLK / BRZ / COR / FGR / WHI _____
 Fixture Material: Aluminum Die Cast _____
 Upon Request: Finishes - White, Green Forest, Corten _____

ELECTRICAL

Input Wattage Range: 1 - 9 W _____
 Lamp Type: LED _____
 Input Wattage (W): 9.6 _____
 Total Output Wattage (W): 9.5 _____
 Dimming: Electronic Low Voltage Dimming _____
 Input Voltage (V): 120Vac Direct Line _____

LED

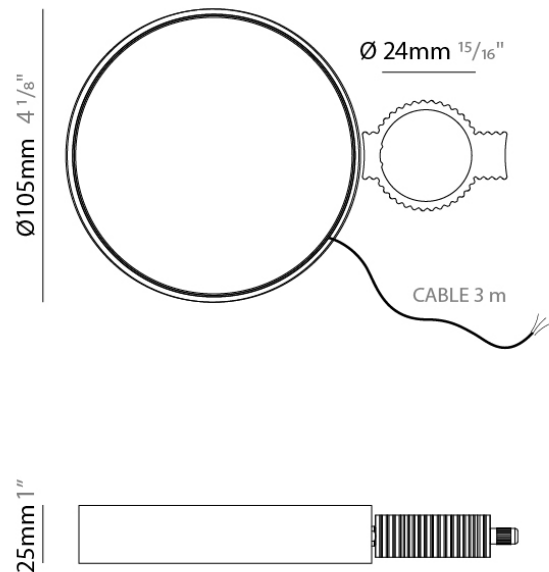
Delivered Lumen Range: 500 - 999 lm _____
 Number of LEDs: 1 _____
 Color Temperature (°K): 3000 / 4000 _____
 Max. Delivered Lumen (lm): 655 / 680 _____
 Nominal Lumen (lm): 900 / 935 _____
 CRI: >80 CRI _____
 Lamp Life (hrs): 60000 _____

OPTICAL

Optic°: 26 / 45 / 102 _____
 Adjustability: Tilting _____

RATINGS AND CERTIFICATIONS

Certified By: Certified for North American Standards _____
 IP rating: IP66 _____
 IK Rating: IK08 _____



LEGEND

 floor-mounted	 pivotable	 special LED (upon request) RGB, RGBW, tunable, gold+, meat+, art+, fashion+
 wall and ceiling: recessed and surface mounted	 rotating	 warm dim / natural dimming LED
 ceiling-mounted and wall-mounted	 illuminate tilted	 rechargeable battery powered
 wall-mounted	 color of suspension cable	 fixture with natural vivid LED (upon request)
 omni-directional light distribution	 length of suspension cable	 color rendering index
 direct light distribution	 reflector degree selection	 color temperature
 direct/indirect light distribution	 super spot	 lumen (luminous flux)
 indirect light distribution	 lens	 efficacy (lumens per watt)
 asymmetric light distribution	 lens pack	 Unified Glare Rating (UGR) range from 5-40
 aura light distribution	 shine ring	 marine grade (AISI 316 stainless steel)
 round wall or ceiling cut-out	 integrated shine ring with diffuser	 walk on
 square wall or ceiling cut-out	 free individual colors 01-29	 drive on
 the supplied jig specifies the cutout dimensions	 individual colors: 00 (free of charge), 01-25 (extra charge)	 Dark Sky Compliance
 minimum distance (meters) lamp - object	 luminaire part to be colored (F1)	 Americans with Disabilities Act (less than 4" off the wall located between 27"-84" from floor)
 recessed depth	 luminaire part to be colored (F2)	 lamp protected against explosion
 ceiling thickness in mm	 luminaire part to be colored (F3)	 blown glass using traditional methods by master glass blower
 ceiling thickness selection	 luminaire part to be colored (F4)	 acoustic material
 dimmable DP (phase), DV (0-10V), DD (dali), DS (step-dim)	 luminaire part to be colored (F5)	 protection class I, protection insulation
 included or excluded LED driver/transformer/control gear	 color of 3-circuit adaptor	 protection class II, protection insulation
 separately switchable	 indirect diffuser	 ETL Certified to UL and CSA Standards
 sensor	 direct diffuser	 UL Certified to UL and CSA Standards
 remote control	 ball-proof (upon request)	 CSA Certified to UL and CSA Standards
 available upon request	 accessory	 Certified for North American Standards

IP RATING

 IP20	protected against ingress of solid bodies greater than 12.5mm (finger)
 IP33	protected against ingress of solid bodies greater than 2.5mm protected against sprays of water up to 60 degrees from the vertical (rain)
 IP40	protected against ingress of solid bodies greater than 1mm (wire) no protection against the ingress of moisture
 IP43	protected against ingress of solid bodies greater than 1mm (wire) protected against sprays of water up to 60 degrees from the vertical (rain)
 IP44	protected against ingress of solid bodies greater than 1mm (wire) protected against water splashed from all directions
 IP54	protected against limited ingress of dust (wet rooms/covered outdoor areas) protected against water splashed from all directions
 IP65	protected against ingress of dust protected against jets of water
 IP66	protected against ingress of dust protected against powerful jets of water or heavy seas
 IP67	protected against ingress of dust protected against immersion of water between 15cm - 1m for 30 minutes
 IP68	protected against ingress of dust protected against immersion of water under pressure for long periods

IK RATING

 IK01	protected against 0.14 joules impact (equivalent to 0.25kg mass dropped from 56mm above the surface)
 IK02	protected against 0.2 joules impact (equivalent to 0.25kg mass dropped from 80mm above the surface)
 IK03	protected against 0.35 joules impact (equivalent to 0.25kg mass dropped from 140mm above the surface)
 IK04	protected against 0.5 joules impact (equivalent to 0.25kg mass dropped from 200mm above the surface)
 IK05	protected against 0.7 joules impact (equivalent to 0.25kg mass dropped from 280mm above the surface)
 IK06	protected against 1 joules impact (equivalent to 0.25kg mass dropped from 400mm above the surface)
 IK07	protected against 2 joules impact (equivalent to 0.5kg mass dropped from 400mm above the surface)
 IK08	protected against 5 joules impact (equivalent to 1.7kg mass dropped from 300mm above the surface)
 IK09	protected against 10 joules impact (equivalent to 5.0kg mass dropped from 200mm above the surface)
 IK10	protected against 20 joules impact (equivalent to 5.0kg mass dropped from 400mm above the surface)