

E9FROGTRKMOD COMPONENTS

PROJECT

TYPE

NOTES

QUANTITY

DATE

E9A32700

DESCRIPTION

Frog - Visor Accessory

GENERAL

Series: Frog

Brand: Platek

Division: Exterior

PHYSICAL

Fixture Material: Metal

RATINGS AND CERTIFICATIONS

Certified By: Certified for North American Standards

IP rating: IP65



E9FROGTRKMOD COMPONENTS

PROJECT

TYPE

NOTES

QUANTITY

DATE

E9A32800

DESCRIPTION

Frog - Honeycomb Filter Accessory

GENERAL

Series: Frog

Brand: Platek

Division: Exterior

PHYSICAL

Fixture Material: Plastic

RATINGS AND CERTIFICATIONS

Certified By: Certified for North American Standards

IP rating: IP65



E9FROGTRKMOD COMPONENTS

E9A33600

DESCRIPTION
IP68 Gel Connector - 3 x 1.5mm²

GENERAL
Brand: Platek
Division: Exterior

PHYSICAL
Fixture Material: Glass

RATINGS AND CERTIFICATIONS
Certified By: Certified for North American Standards
IP rating: IP68

PROJECT	_____
TYPE	_____
NOTES	_____
QUANTITY	_____
DATE	_____



E9FROGTRKMOD COMPONENTS

E9A33700

DESCRIPTION

Frog - Epillictical Filter

GENERAL

Series: Frog

Brand: Platek

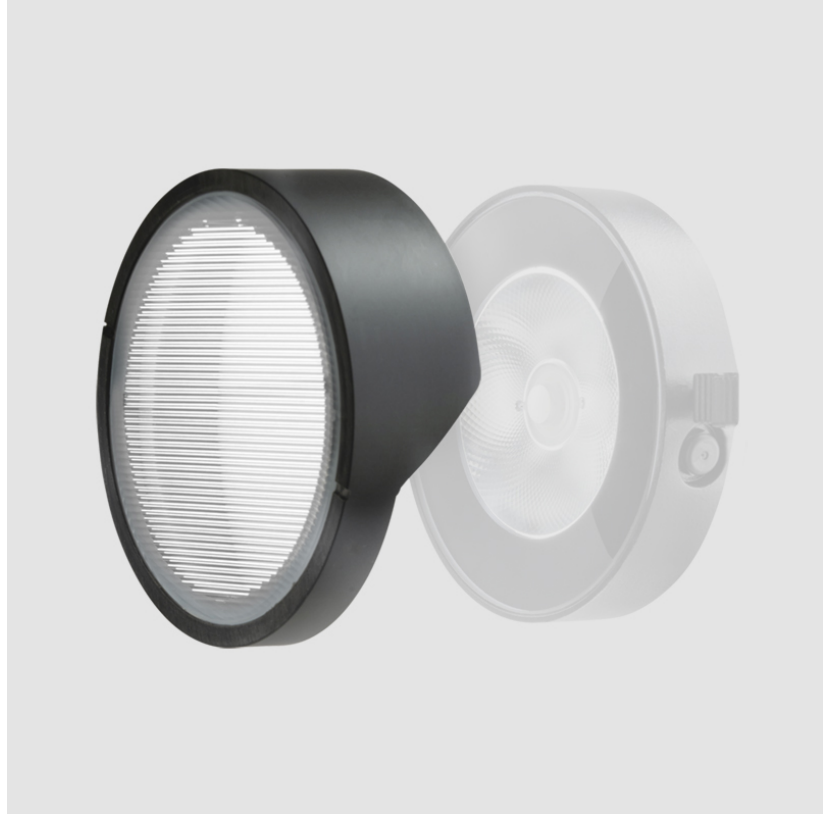
Division: Exterior

PHYSICAL

Fixture Material: Glass

RATINGS AND CERTIFICATIONS

Certified By: Certified for North American Standards



E9FROGTRKMOD COMPONENTS

PROJECT _____

TYPE _____

NOTES _____

QUANTITY _____

DATE _____

E9A33800

DESCRIPTION

Frog - Extensive Filter

GENERAL

Series: Frog

Brand: Platek

Division: Exterior

PHYSICAL

Fixture Material: Glass

RATINGS AND CERTIFICATIONS

Certified By: Certified for North American Standards

IP rating: IP66



E9FROGTRKMOD COMPONENTS

E9A35200

DESCRIPTION

Frog - Epillictical Visor

GENERAL

Series: Frog

Brand: Platek

Division: Exterior

PHYSICAL

Fixture Material: Metal

RATINGS AND CERTIFICATIONS

Certified By: Certified for North American Standards

IP rating: IP65



E9FROGTRKMOD COMPONENTS

PROJECT _____

TYPE _____

NOTES _____

QUANTITY _____

DATE _____

E9A35300

DESCRIPTION

Frog - Extensive Visor

GENERAL

Series: Frog

Brand: Platek

Division: Exterior

PHYSICAL

Fixture Material: Metal

RATINGS AND CERTIFICATIONS

Certified By: Certified for North American Standards

IP rating: IP65



E9FROGTRKMOD COMPONENTS

PROJECT _____

TYPE _____

NOTES _____

QUANTITY _____

DATE _____

E9A38000

DESCRIPTION

Frog - Honeycomb Fliter to be used in addtion to flters/visors

GENERAL

Series: Frog

Brand: Platek

Division: Exterior

PHYSICAL

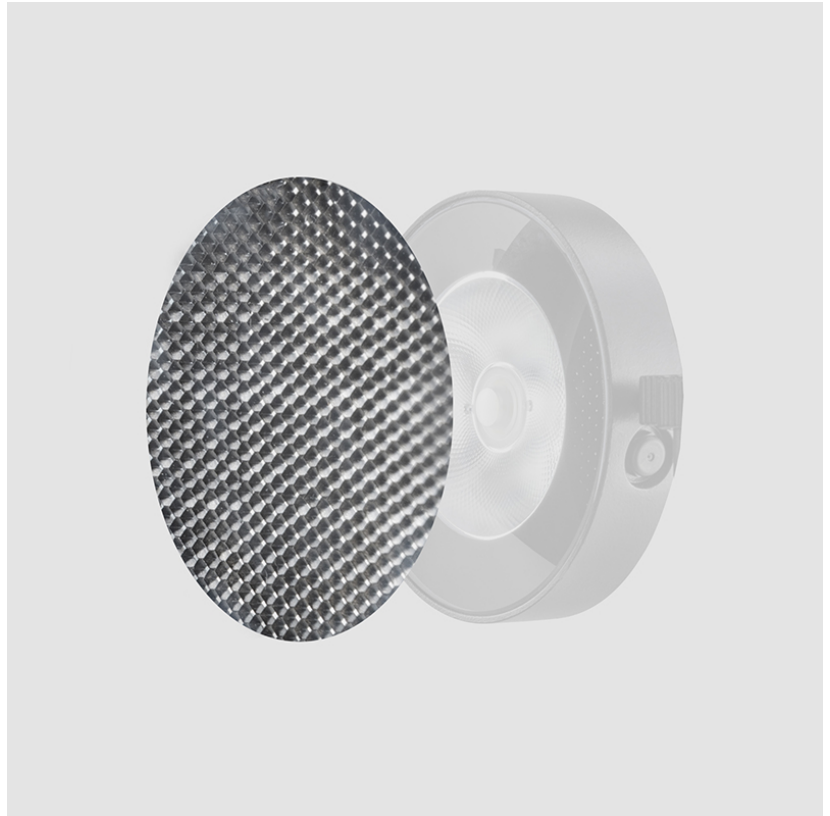
Fixture Finish: BLK

Fixture Material: Plastic

RATINGS AND CERTIFICATIONS

Certified By: Certified for North American Standards

IP rating: IP65



E9FROGTRKMOD COMPONENTS

PROJECT	_____
TYPE	_____
NOTES	_____
QUANTITY	_____
DATE	_____

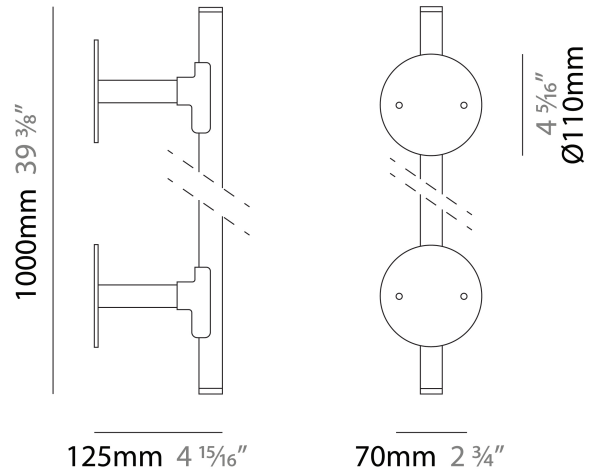
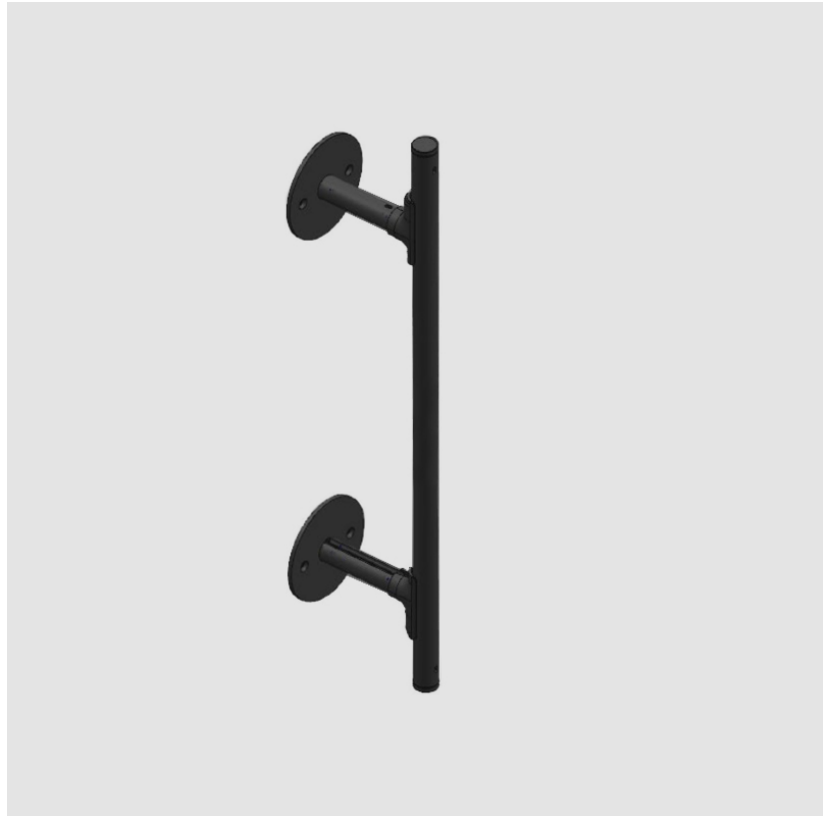
E9A50016-

DESCRIPTION
 Frog - Support rod/wall/ceiling 1000 mm

GENERAL
 Series: Frog
 Brand: Platek
 Division: Exterior

PHYSICAL
 Height (mm): 1000
 Height (in): 39 ³/₈
 Fixture Material: Metal
 Upon Request: Finishes - White, Green Forest, Corten

RATINGS AND CERTIFICATIONS
 Certified By: Certified for North American Standards
 IP rating: IP66



E9FROGTRKMOD COMPONENTS

PROJECT	_____
TYPE	_____
NOTES	_____
QUANTITY	_____
DATE	_____

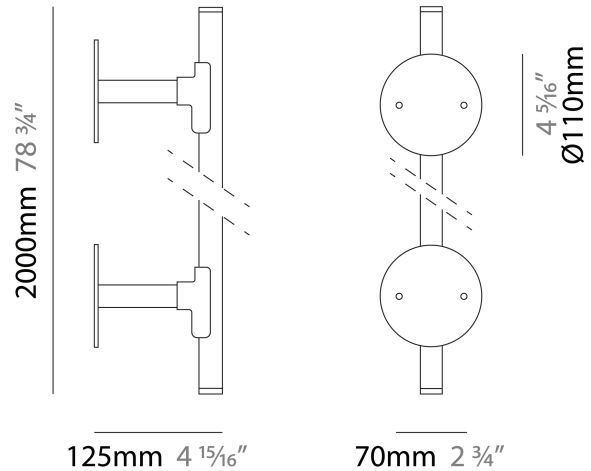
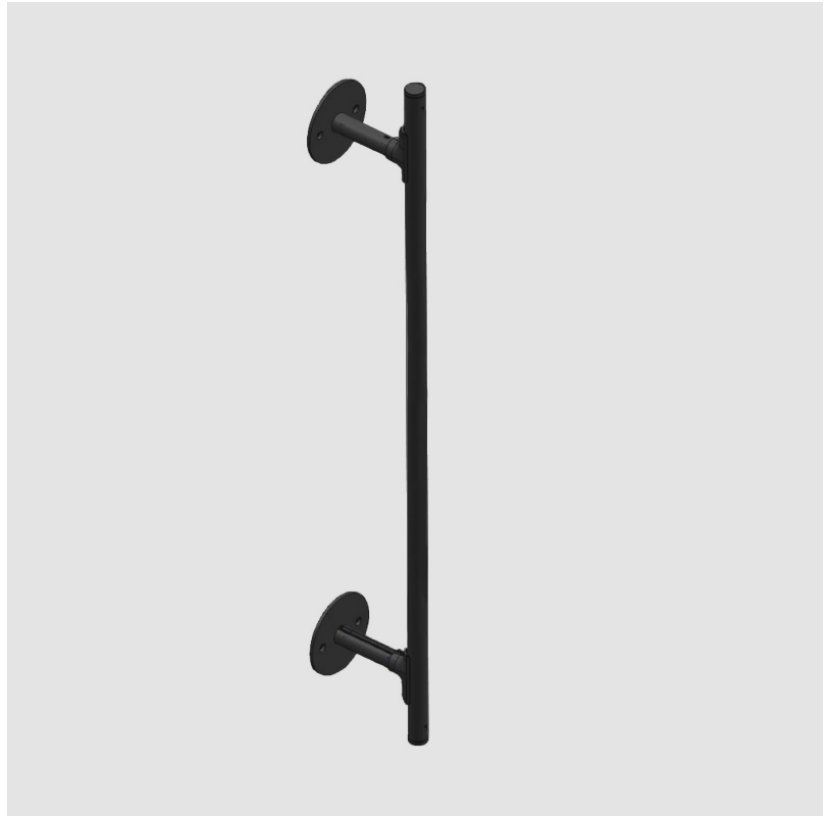
E9A50017-

DESCRIPTION
 Frog - Support rod/wall/ceiling 2000mm / 78 3/4"

GENERAL
 Series: Frog
 Brand: Platek
 Division: Exterior

PHYSICAL
 Height (mm): 2000
 Height (in): 78 3/4
 Fixture Material: Metal
 Upon Request: Finishes - White, Green Forest, Corten

RATINGS AND CERTIFICATIONS
 Certified By: Certified for North American Standards
 IP rating: IP66



E9FROGTRKMOD COMPONENTS

E9A50028

DESCRIPTION

Frog - Visor with Elliptical Filter - Black

GENERAL

Series: Frog

Brand: Platek

Division: Exterior

PHYSICAL

Fixture Material: Metal

RATINGS AND CERTIFICATIONS

Certified By: Certified for North American Standards

IP rating: IP65



E9FROGTRKMOD COMPONENTS

E9A50055

DESCRIPTION

Frog - Honeycomb Filter 2.0 (to be used in addition to filters / visors) - Black

GENERAL

Series: Frog _____

Brand: Platek _____

Division: Exterior _____

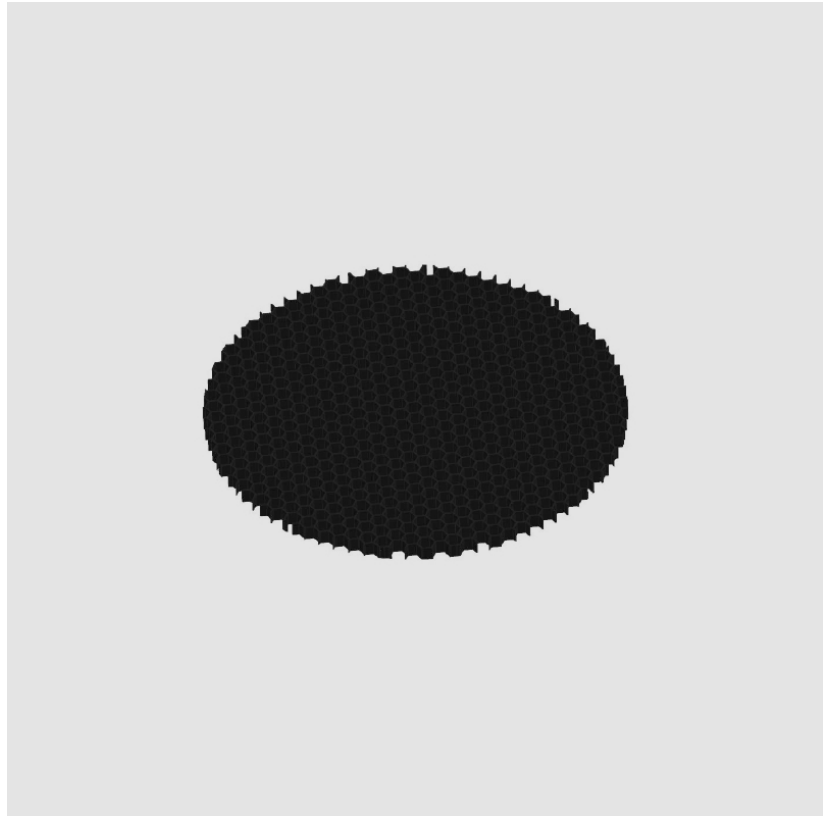
PHYSICAL

Fixture Material: Metal _____

RATINGS AND CERTIFICATIONS

Certified By: Certified for North American Standards _____

IP rating: IP65 _____



E9FROGTRKMOD COMPONENTS

PROJECT _____

TYPE _____

NOTES _____

QUANTITY _____

DATE _____

E9A50056

DESCRIPTION

Frog - Visor 2.0 - Black

GENERAL

Series: Frog

Brand: Platek

Division: Exterior

PHYSICAL

Diameter (mm): 112

Diameter (in): $4 \frac{7}{16}$

Depth (mm): 34

Depth (in): $1 \frac{5}{16}$

Fixture Material: Metal

RATINGS AND CERTIFICATIONS

Certified By: Certified for North American Standards

IP rating: IP65



E9FROGTRKMOD COMPONENTS

PROJECT _____

TYPE _____

NOTES _____

QUANTITY _____

DATE _____

E9A50057

DESCRIPTION

Frog - Honeycomb Filter 2.0 (to be used in addition to filters / visors) - Black

GENERAL

Series: Frog _____

Brand: Platek _____

Division: Exterior _____

PHYSICAL

Diameter (mm): 112 _____

Diameter (in): 4 $\frac{7}{16}$ _____

Depth (mm): 34 _____

Depth (in): 1 $\frac{3}{16}$ _____

Fixture Material: Metal _____

RATINGS AND CERTIFICATIONS

Certified By: Certified for North American Standards _____

IP rating: IP65 _____



PROJECT	_____
TYPE	_____
NOTES	_____
QUANTITY	_____
DATE	_____

E9FROGTRKMOD COMPONENTS POST

E9F373-

DESCRIPTION

Frog - Projector- Ø105mm / 4 1/8" - 9.6W LED - 3000K / 4000K - 120Vac Direct Line - Optics 26° / 45° / 102° - ELV Dimming

GENERAL

Series: Frog _____
 Brand: Platek _____
 Division: Exterior _____
 Mounting Type: Post _____
 Mounting Location: Above Ground _____
 Subcategory: Flood _____

PHYSICAL

Shape: Round _____
 Diameter (mm): 105 _____
 Diameter (in): 4 1/8 _____
 Width (mm): 25 _____
 Width (in): 1 _____
 Light Distribution: Adjustable / Direct _____
 Weight (kg): 0.6 _____
 Weight (lbs): 1.32 _____
 Screws: No visible screws _____
 Diffuser: Clear tempered glass _____
 Gasket: Gore-Tex (R) Valve _____
 Fixture Finish: BLK / BRZ / COR / FGR / WHI _____
 Fixture Material: Aluminum Die Cast _____
 Upon Request: Finishes - White, Green Forest, Corten _____

ELECTRICAL

Input Wattage Range: 1 - 9 W _____
 Lamp Type: LED _____
 Input Wattage (W): 9.6 _____
 Total Output Wattage (W): 9.5 _____
 Dimming: Electronic Low Voltage Dimming _____
 Input Voltage (V): 120Vac Direct Line _____

LED

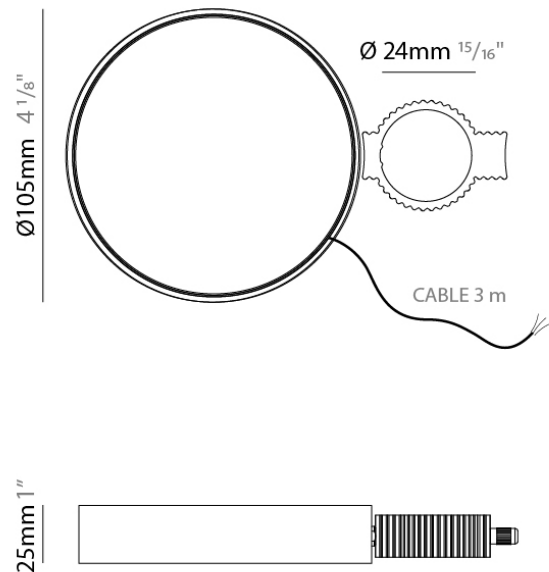
Delivered Lumen Range: 500 - 999 lm _____
 Number of LEDs: 1 _____
 Color Temperature (°K): 3000 / 4000 _____
 Max. Delivered Lumen (lm): 655 / 680 _____
 Nominal Lumen (lm): 900 / 935 _____
 CRI: >80 CRI _____
 Lamp Life (hrs): 60000 _____

OPTICAL

Optic°: 26 / 45 / 102 _____
 Adjustability: Tilting _____

RATINGS AND CERTIFICATIONS

Certified By: Certified for North American Standards _____
 IP rating: IP66 _____
 IK Rating: IK08 _____



PROJECT	
TYPE	
NOTES	
QUANTITY	
DATE	

LEGEND

	floor-mounted		pivotable		special LED (upon request) RGB, RGBW, tunable, gold+, meat+, art+, fashion+
	wall and ceiling: recessed and surface mounted		rotating		warm dim / natural dimming LED
	ceiling-mounted and wall-mounted		illuminate tilted		rechargeable battery powered
	wall-mounted		color of suspension cable		fixture with natural vivid LED (upon request)
	omni-directional light distribution		length of suspension cable		color rendering index
	direct light distribution		reflector degree selection		color temperature
	direct/indirect light distribution		super spot		lumen (luminous flux)
	indirect light distribution		lens		efficacy (lumens per watt)
	asymmetric light distribution		lens pack		Unified Glare Rating (UGR) range from 5-40
	aura light distribution		shine ring		marine grade (AISI 316 stainless steel)
	round wall or ceiling cut-out		integrated shine ring with diffuser		walk on
	square wall or ceiling cut-out		free individual colors 01-29		drive on
	the supplied jig specifies the cutout dimensions		individual colors: 00 (free of charge), 01-25 (extra charge)		Dark Sky Compliance
	minimum distance (meters) lamp - object		luminaire part to be colored (F1)		Americans with Disabilities Act (less than 4" off the wall located between 27"-84" from floor)
	recessed depth		luminaire part to be colored (F2)		lamp protected against explosion
	ceiling thickness in mm		luminaire part to be colored (F3)		blown glass using traditional methods by master glass blower
	ceiling thickness selection		luminaire part to be colored (F4)		acoustic material
	dimnable DP (phase), DV (0-10V), DD (dali), DS (step-dim)		luminaire part to be colored (F5)		protection class I, protection insulation
	included or excluded LED driver/transformer/control gear		color of 3-circuit adaptor		protection class II, protection insulation
	separately switchable		indirect diffuser		ETL Certified to UL and CSA Standards
	sensor		direct diffuser		UL Certified to UL and CSA Standards
	remote control		ball-proof (upon request)		CSA Certified to UL and CSA Standards
	available upon request		accessory		Certified for North American Standards

IP RATING

	protected against ingress of solid bodies greater than 12.5mm (finger)
	protected against ingress of solid bodies greater than 2.5mm protected against sprays of water up to 60 degrees from the vertical (rain)
	protected against ingress of solid bodies greater than 1mm (wire) no protection against the ingress of moisture
	protected against ingress of solid bodies greater than 1mm (wire) protected against sprays of water up to 60 degrees from the vertical (rain)
	protected against ingress of solid bodies greater than 1mm (wire) protected against water splashed from all directions
	protected against limited ingress of dust (wet rooms/covered outdoor areas) protected against water splashed from all directions
	protected against ingress of dust protected against jets of water
	protected against ingress of dust protected against powerful jets of water or heavy seas
	protected against ingress of dust protected against immersion of water between 15cm - 1m for 30 minutes
	protected against ingress of dust protected against immersion of water under pressure for long periods

IK RATING

	protected against 0.14 joules impact (equivalent to 0.25kg mass dropped from 56mm above the surface)
	protected against 0.2 joules impact (equivalent to 0.25kg mass dropped from 80mm above the surface)
	protected against 0.35 joules impact (equivalent to 0.25kg mass dropped from 140mm above the surface)
	protected against 0.5 joules impact (equivalent to 0.25kg mass dropped from 200mm above the surface)
	protected against 0.7 joules impact (equivalent to 0.25kg mass dropped from 280mm above the surface)
	protected against 1 joules impact (equivalent to 0.25kg mass dropped from 400mm above the surface)
	protected against 2 joules impact (equivalent to 0.5kg mass dropped from 400mm above the surface)
	protected against 5 joules impact (equivalent to 1.7kg mass dropped from 300mm above the surface)
	protected against 10 joules impact (equivalent to 5.0kg mass dropped from 200mm above the surface)
	protected against 20 joules impact (equivalent to 5.0kg mass dropped from 400mm above the surface)