

E91644- COMPONENTS

PROJECT	_____
TYPE	_____
NOTES	_____
QUANTITY	_____
DATE	_____

DPH0300024ST

DESCRIPTION

SCPower / KVF-24030-TDW - Phase dimmable @120Vac - 3-30W - 24Vdc - 120/277Vac - LED power supply

GENERAL

Division: Architectural : Components : LED Drivers

PHYSICAL

Length (mm): 155

Length (in): 6 1/16

Width (mm): 54

Width (in): 2 1/8

Height (mm): 20

Height (in): 3/4

Weight (kg): 0.21

Weight (lbs): 0.46

Fixture Material: Plastic

ELECTRICAL

Lamp Type: LED

Total Output Wattage (W): 3-30

Dimming: Phase Dimming (120Vac Only)

Driver Type: Constant Voltage- Universal

Driver Class: Class 2

Housing: ENCP6

Input Voltage (V): 120 - 277

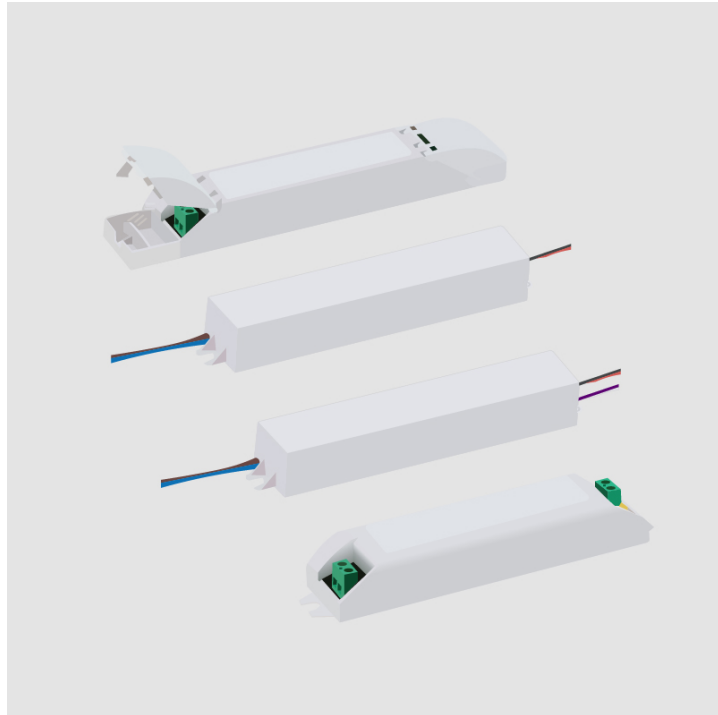
Output Voltage (V): 24

Constant Voltage (V): 21.5-25.5

RATINGS AND CERTIFICATIONS

Certified By: UL Listed

IP rating: IP20



E91644- COMPONENTS

PROJECT	_____
TYPE	_____
NOTES	_____
QUANTITY	_____
DATE	_____

DVO0600024MP

DESCRIPTION

MeanWell - PWM-60-24 - 0-10Vdc / Resistance / 10V PWM signal dimming - Dim-to-Off - 19.2-60W - 24Vdc - 120-277Vac - LED power supply - Used with ENCP8 - Available with IP68 - Outdoor Rated - Enclosure TBD

PHYSICAL

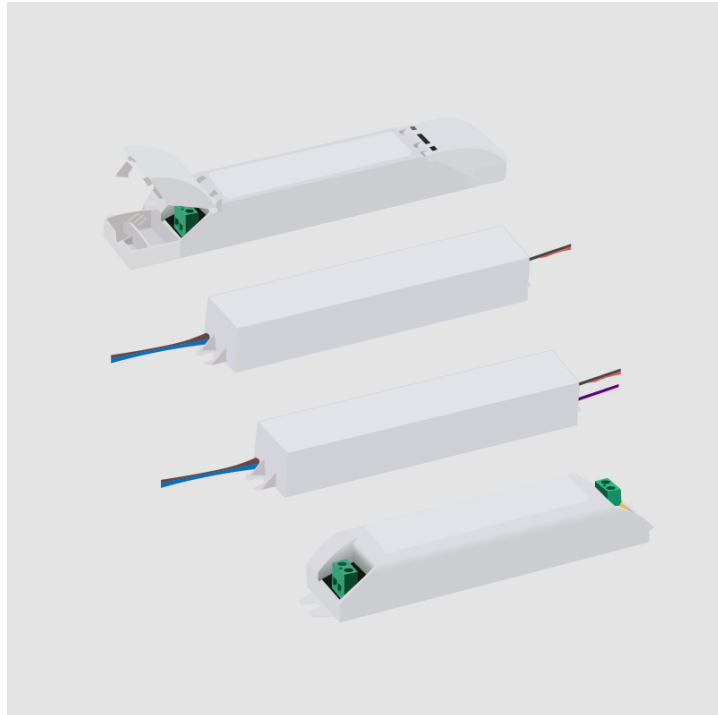
Shape: Rectangle _____
Length (mm): 150 _____
Length (in): 5 ⁷/₈ _____
Width (mm): 53 _____
Width (in): 2 ¹/₁₆ _____
Height (mm): 35 _____
Height (in): 1 ³/₈ _____
Weight (kg): 0.49 _____
Fixture Material: Plastic _____

ELECTRICAL

Lamp Type: LED _____
Input Wattage (W): 67.4 _____
Total Output Wattage (W): 60 _____
Dimming: 0-10V Dimming to 0% _____
Driver Type: Constant Voltage - 120-277Vac / Type HL _____
Driver Class: Class 2 _____
Input Voltage (V): Universal _____
Constant Voltage (V): 24 dc _____

RATINGS AND CERTIFICATIONS

Certified By: UR Listed _____
IP rating: IP67 _____



E91644- COMPONENTS

PROJECT	_____
TYPE	_____
NOTES	_____
QUANTITY	_____
DATE	_____

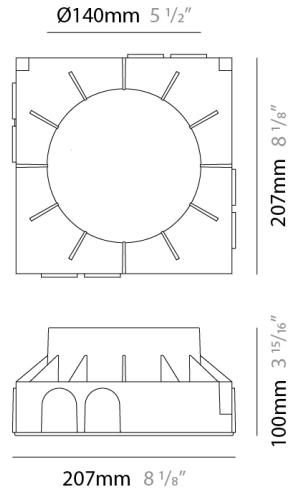
E9A08800

DESCRIPTION
 1200 Mini - Sleeve Ø 140mm, H. 100mm with a 200 x 200mm square base

GENERAL
 Series: Mini _____
 Partner: Platek _____
 Division: Exterior _____

PHYSICAL
 Diameter (mm): 140 _____
 Diameter (in): 5 1/2 _____
 Length (mm): 200 _____
 Length (in): 7 7/8 _____
 Width (mm): 200 _____
 Height (mm): 100 _____
 Height (in): 3 15/16 _____
 Fixture Material: Metal _____

RATINGS AND CERTIFICATIONS
 Certified By: Certified for North American Standards _____
 IP rating: IP65 _____



E91644- COMPONENTS

PROJECT	_____
TYPE	_____
NOTES	_____
QUANTITY	_____
DATE	_____

E9A08900

DESCRIPTION

1200 Mini - Sleeve Ø 140mm, H. 230mm

GENERAL

Series: Mini _____
Partner: Platek _____
Division: Exterior _____

PHYSICAL

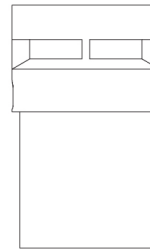
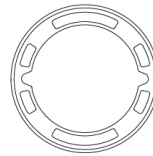
Diameter (mm): 140 _____
Diameter (in): 5 1/2 _____
Width (mm): 200 _____
Width (in): 7 7/8 _____
Height (mm): 230 _____
Height (in): 9 1/16 _____
Fixture Material: Metal _____

RATINGS AND CERTIFICATIONS

Certified By: Certified for North American Standards _____
IP rating: IP65 _____



Ø140mm 5 1/2"



230mm 9 1/16"



E91644- COMPONENTS

PROJECT	_____
TYPE	_____
NOTES	_____
QUANTITY	_____
DATE	_____

ENCP20

DESCRIPTION

Polycarbonate - IP68 - Outdoor Rated - UL listed - Power Supply Enclosure in Light Gray

GENERAL

Division: Architectural : Components _____

PHYSICAL

Shape: Rectangle _____

Length (mm): 160 _____

Length (in): 6 ⁵/₁₆ _____

Width (mm): 90 _____

Width (in): 3 ⁹/₁₆ _____

Height (mm): 61 _____

Height (in): 2 ³/₈ _____

Weight (kg): 0.24 _____

Weight (lbs): 0.53 _____

Screws: A4 stainless steel _____

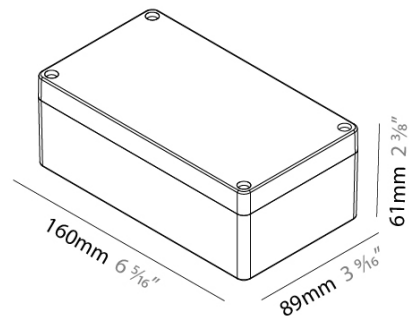
Gasket: 1554JGASKET _____

Fixture Material: Plastic _____

RATINGS AND CERTIFICATIONS

Certified By: UL Listed _____

IP rating: IP68 _____



E91644- COMPONENTS

PROJECT _____
TYPE _____
NOTES _____
QUANTITY _____
DATE _____

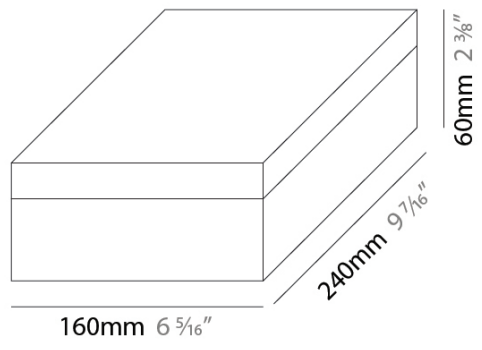
ENCP22

DESCRIPTION
Polycarbonate - IP68 - Outdoor Rated - UL listed - Power Supply Enclosure in Light Gray

GENERAL
Division: Architectural : Components _____

PHYSICAL
Shape: Rectangle _____
Length (mm): 238.8 _____
Length (in): $9 \frac{13}{32}$ _____
Width (mm): 160 _____
Width (in): $6 \frac{5}{16}$ _____
Height (mm): 60 _____
Height (in): $2 \frac{3}{8}$ _____
Weight (kg): 0.51 _____
Weight (lbs): 1.14 _____
Screws: A4 stainless steel _____
Gasket: 1554VAGASKET _____
Fixture Material: Plastic _____

RATINGS AND CERTIFICATIONS
Certified By: UL Listed _____
IP rating: IP68 _____



E91644- COMPONENTS

PROJECT	_____
TYPE	_____
NOTES	_____
QUANTITY	_____
DATE	_____

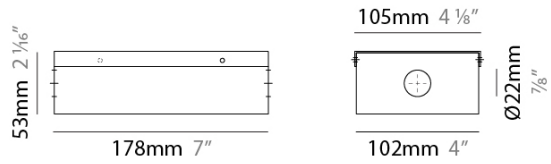
ENCP6

DESCRIPTION
 Empty Metal Enclosure for Driver - IP20 - Indoor Rated

GENERAL
 Division: Architectural : Components

PHYSICAL
 Shape: Rectangle
 Length (mm): 178
 Length (in): 7
 Width (mm): 105
 Width (in): 4 1/8
 Height (mm): 54
 Height (in): 2 1/8
 Screws: A4 stainless steel
 Fixture Material: Metal

RATINGS AND CERTIFICATIONS
 IP rating: IP20



PROJECT _____
 TYPE _____
 NOTES _____
 QUANTITY _____
 DATE _____

LEGEND

	floor-mounted		pivotal		special LED (upon request) RGB, RGBW, tunable, gold+, meat+, art+, fashion+
	wall and ceiling: recessed and surface mounted		rotating		warm dim / natural dimming LED
	ceiling-mounted and wall-mounted		illuminate tilted		rechargeable battery powered
	wall-mounted		color of suspension cable		fixture with natural vivid LED (upon request)
	omni-directional light distribution		length of suspension cable		color rendering index
	direct light distribution		reflector degree selection		color temperature
	direct/indirect light distribution		super spot		lumen (luminous flux)
	indirect light distribution		lens		efficacy (lumens per watt)
	asymmetric light distribution		lens pack		Unified Glare Rating (UGR) range from 5-40
	aura light distribution		shine ring		marine grade (AISI 316 stainless steel)
	round wall or ceiling cut-out		integrated shine ring with diffuser		walk on
	square wall or ceiling cut-out		free individual colors 01-29		drive on
	the supplied jig specifies the cutout dimensions		individual colors: 00 (free of charge), 01-25 (extra charge)		Dark Sky Compliance
	minimum distance (meters) lamp - object		luminaire part to be colored (F1)		Americans with Disabilities Act (less than 4" off the wall located between 27"-84" from floor)
	recessed depth		luminaire part to be colored (F2)		lamp protected against explosion
	ceiling thickness in mm		luminaire part to be colored (F3)		blown glass using traditional methods by master glass blower
	ceiling thickness selection		luminaire part to be colored (F4)		acoustic material
	dimnable DP (phase), DV (0-10V), DD (dali), DS (step-dim)		luminaire part to be colored (F5)		protection class I, protection insulation
	included or excluded LED driver/transformer/control gear		color of 3-circuit adaptor		protection class II, protection insulation
	separately switchable		indirect diffuser		ETL Certified to UL and CSA Standards
	sensor		direct diffuser		UL Certified to UL and CSA Standards
	remote control		ball-proof (upon request)		CSA Certified to UL and CSA Standards
	available upon request		accessory		Certified for North American Standards

IP RATING

	protected against ingress of solid bodies greater than 12.5mm (finger)
	protected against ingress of solid bodies greater than 2.5mm protected against sprays of water up to 60 degrees from the vertical (rain)
	protected against ingress of solid bodies greater than 1mm (wire) no protection against the ingress of moisture
	protected against ingress of solid bodies greater than 1mm (wire) protected against sprays of water up to 60 degrees from the vertical (rain)
	protected against ingress of solid bodies greater than 1mm (wire) protected against water splashed from all directions
	protected against limited ingress of dust (wet rooms/covered outdoor areas) protected against water splashed from all directions
	protected against ingress of dust protected against jets of water
	protected against ingress of dust protected against powerful jets of water or heavy seas
	protected against ingress of dust protected against immersion of water between 15cm - 1m for 30 minutes
	protected against ingress of dust protected against immersion of water under pressure for long periods

IK RATING

	protected against 0.14 joules impact (equivalent to 0.25kg mass dropped from 56mm above the surface)
	protected against 0.2 joules impact (equivalent to 0.25kg mass dropped from 80mm above the surface)
	protected against 0.35 joules impact (equivalent to 0.25kg mass dropped from 140mm above the surface)
	protected against 0.5 joules impact (equivalent to 0.25kg mass dropped from 200mm above the surface)
	protected against 0.7 joules impact (equivalent to 0.25kg mass dropped from 280mm above the surface)
	protected against 1 joules impact (equivalent to 0.25kg mass dropped from 400mm above the surface)
	protected against 2 joules impact (equivalent to 0.5kg mass dropped from 400mm above the surface)
	protected against 5 joules impact (equivalent to 1.7kg mass dropped from 300mm above the surface)
	protected against 10 joules impact (equivalent to 5.0kg mass dropped from 200mm above the surface)
	protected against 20 joules impact (equivalent to 5.0kg mass dropped from 400mm above the surface)