

KEFREN SUSPENSION

D91167-

GENERAL

Division: Design _____
 Series: Kefren _____
 Mounting Type: Suspension _____
 Mounting Location: Ceiling _____
 Subcategory: Pendant _____
 Brand: Milan _____

PHYSICAL

Shape: Cone _____
 Diameter (mm): 113 _____
 Diameter (in): 4 ⁷/₁₆ _____
 Height (mm): 63 _____
 Height (in): 2 ¹/₂ _____
 Max. Overall Height (mm): 1300 _____
 Max. Overall Height (in): 51 ³/₁₆ _____
 Light Distribution: Direct _____
 Fixture Finish: WTL / GRL / COL / GLL _____
 Fixture Material: Aluminum _____
 Cable Details: Transparent _____

ELECTRICAL

Lamp Type: LED _____
 Dimming: Electronic Low Voltage Dimming _____
 Input Voltage (V): 120Vac Direct Line _____
 Input Wattage (W): 7 _____
 Input Wattage (Range): 1 - 9 W _____

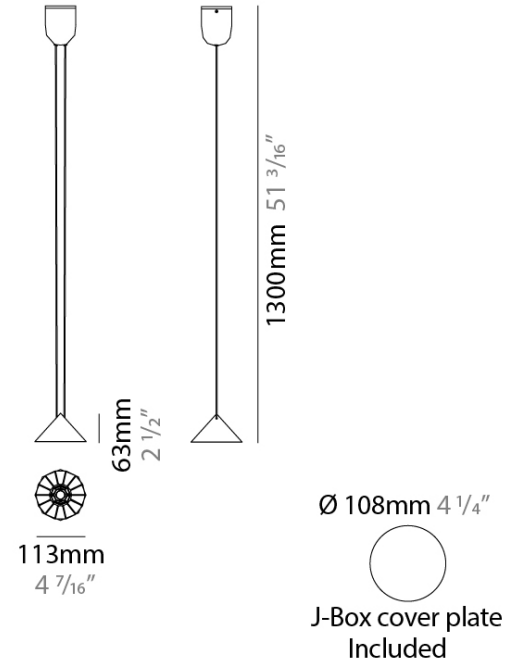
LED

Number of LEDs: 1 _____
 Color Temperature (°K): 3000 _____
 Max. Delivered Lumen (lm): 560 _____
 CRI: >80 CRI _____
 Lamp Life (hrs): 50000 _____

OPTICAL

RATINGS AND CERTIFICATIONS

Certified By: Certified for North American Standards _____
 IP rating: IP20 _____



KEFREN SUSPENSION

D91167-

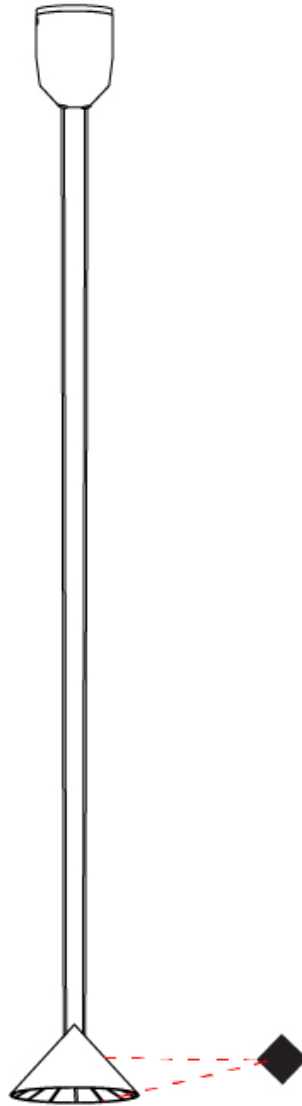
PROJECT _____

TYPE _____

NOTES _____

QUANTITY _____

DATE _____



KEFREN SUSPENSION COLOR FINISH CHART

PROJECT _____

TYPE _____

NOTES _____

QUANTITY _____

DATE _____

White Textured Lacquer - WTL



Gray Lacquer - GRL



Copper Lacquer - COL



Gold Lacquer - GLL



Digital: Not all screens are calibrated the same, and therefore, colors will appear differently between screens.

Physical: When texture is involved, there will be variations in color, character and tone within a product series and between product families.

