

LID SUSPENSION

D91209-

GENERAL

Division: Design _____

Series: Lid _____

Mounting Type: Suspension _____

Mounting Location: Ceiling _____

Subcategory: Pendant _____

Brand: Milan _____

PHYSICAL

Shape: Cylinder _____

Diameter (mm): 501 _____

Diameter (in): 19 3/4 _____

Height (mm): 191 _____

Height (in): 7 5/16 _____

Light Distribution: Direct / Indirect _____

Diffuser: Satin Opal Acid-Etched Blown Glass _____

Fixture Finish: WHI / BLK _____

Fixture Material: Kalmar _____

Cable Details: Transparent _____

ELECTRICAL

Number of Lamps: 1 _____

Lamp Type: LED Retrofit _____

Bulb Included: Bulb Not Included _____

Lamp Base: E26 _____

Input Voltage (V): 120 _____

Total Output Wattage (W): 17 _____

Max. Wattage Per Lamp (W): 17 _____

Upon Request: 277Vac / GU10 _____

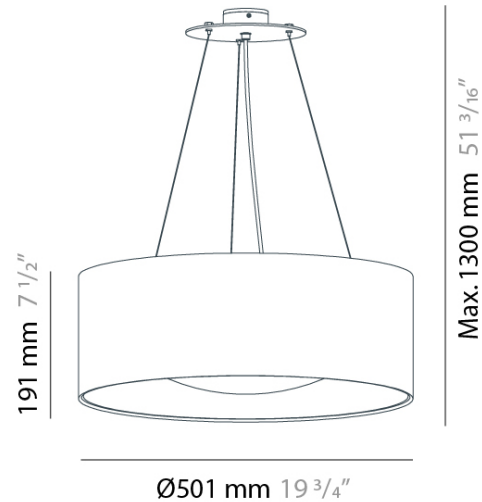
LED

OPTICAL

RATINGS AND CERTIFICATIONS

Certified By: Certified for North American Standards _____

IP rating: IP20 _____



LID SUSPENSION

D91209-

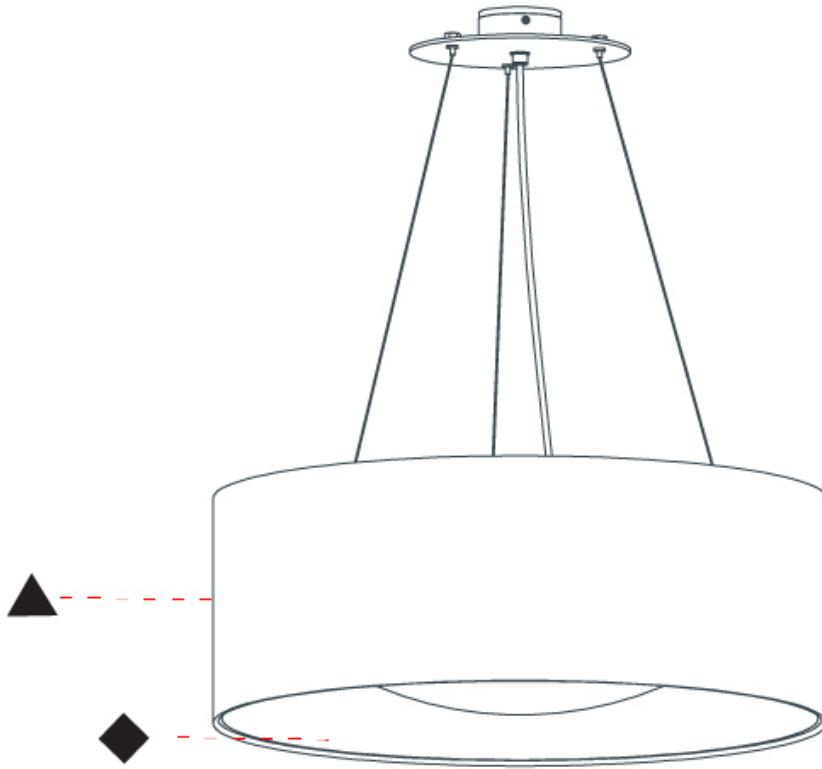
PROJECT _____

TYPE _____

NOTES _____

QUANTITY _____

DATE _____



D

LID SUSPENSION COLOR FINISH CHART

PROJECT _____

TYPE _____

NOTES _____

QUANTITY _____

DATE _____

White - WHI

Black - BLK



Digital: Not all screens are calibrated the same, and therefore, colors will appear differently between screens.

Physical: When texture is involved, there will be variations in color, character and tone within a product series and between product families.

