

BOB SURFACE

L7T00025-

PROJECT _____

TYPE _____

NOTES _____

QUANTITY _____

DATE _____

GENERAL

Division: Architectural

Series: Bob

Mounting Type: Surface

Mounting Location: Ceiling

Subcategory: Spots

Brand: Letroh

PHYSICAL

Shape: Cylinder

Diameter (mm): 60

Diameter (in): 2 3/8

Length (mm): 101

Length (in): 4

Height (mm): 109

Height (in): 4 1/16

Light Distribution: Adjustable / Direct

Fixture Finish: SSR / WHI / BLK

Fixture Material: Aluminum

ELECTRICAL

Lamp Type: LED

Dimming: Non-Dimmable

Driver Included: Yes

Driver Type: Dimming and 277V options available with remote driver upon request

Input Wattage (W): 13

Constant Current (MA): 500

Input Wattage (Range): 10 - 19 W

LED

Color Temperature (°K): 3000 / 4000

Delivered Lumens (Range): 2000 - 2999 lm

Max. Delivered Lumen (lm): 2000 / 2200

CRI: >90 CRI

OPTICAL

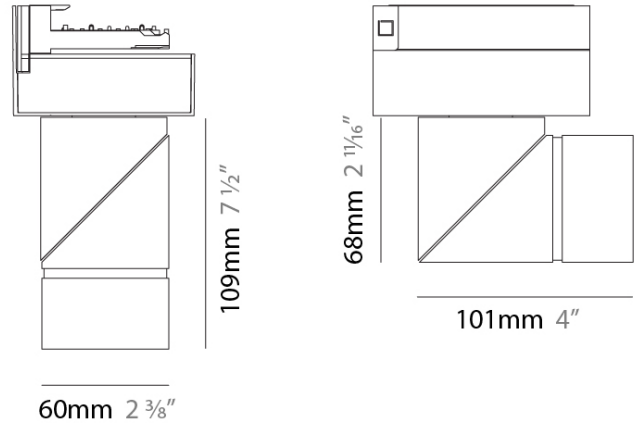
Optic°: Required - See Components

Adjustability: Rotational 360°; Tilt 90°

RATINGS AND CERTIFICATIONS

Certified By: Certified for North American Standards

IP rating: IP20



BOB SURFACE COLOR FINISH CHART

PROJECT _____

TYPE _____

NOTES _____

QUANTITY _____

DATE _____

Satin Silver - SSR



White - WHI

Digital: Not all screens are calibrated the same, and therefore, colors will appear differently between screens.

Physical: When texture is involved, there will be variations in color, character and tone within a product series and between product families.

