

MICRO STEEL SURFACE

L9F417-

PROJECT	
TYPE	
NOTES	
QUANTITY	
DATE	

GENERAL

Division: Exterior
 Series: Micro Steel
 Mounting Type: Surface
 Mounting Location: Above Ground
 Subcategory: Flood
 Brand: Platek

PHYSICAL

Shape: Round
 Diameter (mm): 81
 Diameter (in): 3 1/4
 Height (mm): 106
 Height (in): 4 1/16
 Extension (mm): 90
 Extension (in): 3 9/16
 Weight (kg): 1
 Weight (lbs): 2.2
 Light Distribution: Adjustable / Direct
 Diffuser: Clear tempered glass
 Fixture Finish: Stainless Steel
 Fixture Material: Aluminum Die Cast
 Cable Details: Supplied with 5m power cable

ELECTRICAL

Lamp Type: LED
 Dimming: 0-10V Dimming / Phase Dimming (120Vac Only) / DMX (RGBW)
 Driver Included: No
 Driver Location: Remote
 Driver Type: RGBW - Constant Current - Universal White - Constant Voltage - Universal
 Input Voltage (V): 120 / 277
 Output Voltage (V): 24
 Input Wattage (W): 5.9 / 6
 Total Output Wattage (W): 5 / 6
 Constant Current (MA): RGBW 500
 Input Wattage (Range): 1 - 9 W
 Upon Request: (Not included - see components [IP65 or higher enclosure to be supplied by others]) 0-10Vdc dimming / DMX / Phase dimming @120Vac only / 277Vac

LED

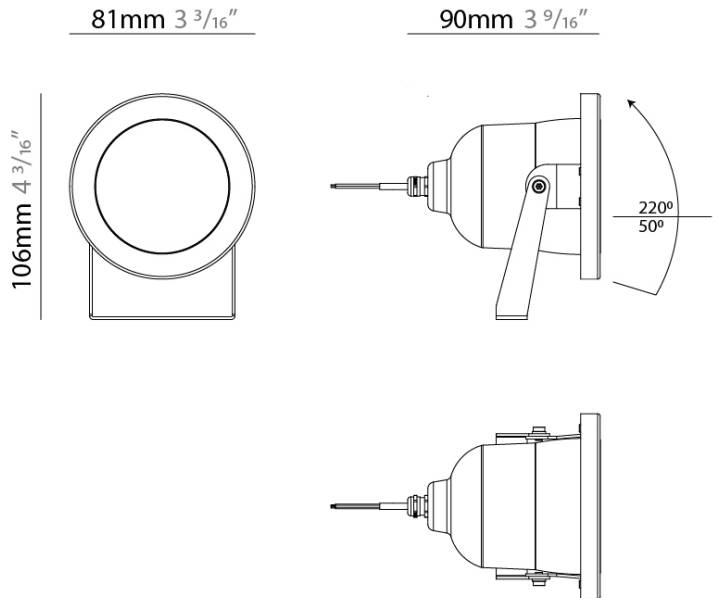
Number of LEDs: 3 / RGBW 4
 Color Temperature (°K): 3000 / 4000 / RGBW
 Delivered Lumens (Range): 100 - 499 lm
 Max. Delivered Lumen (lm): 465 / 485
 Nominal Lumen (lm): 570 / 600
 CRI: >80 CRI
 Lamp Life (hrs): 60000

OPTICAL

Optic°: 12 / 33 / 44

RATINGS AND CERTIFICATIONS

Certified By: Certified for North American Standards
 IP rating: IP68
 IK Rating: IK10



MICRO STEEL SURFACE

L9F417-

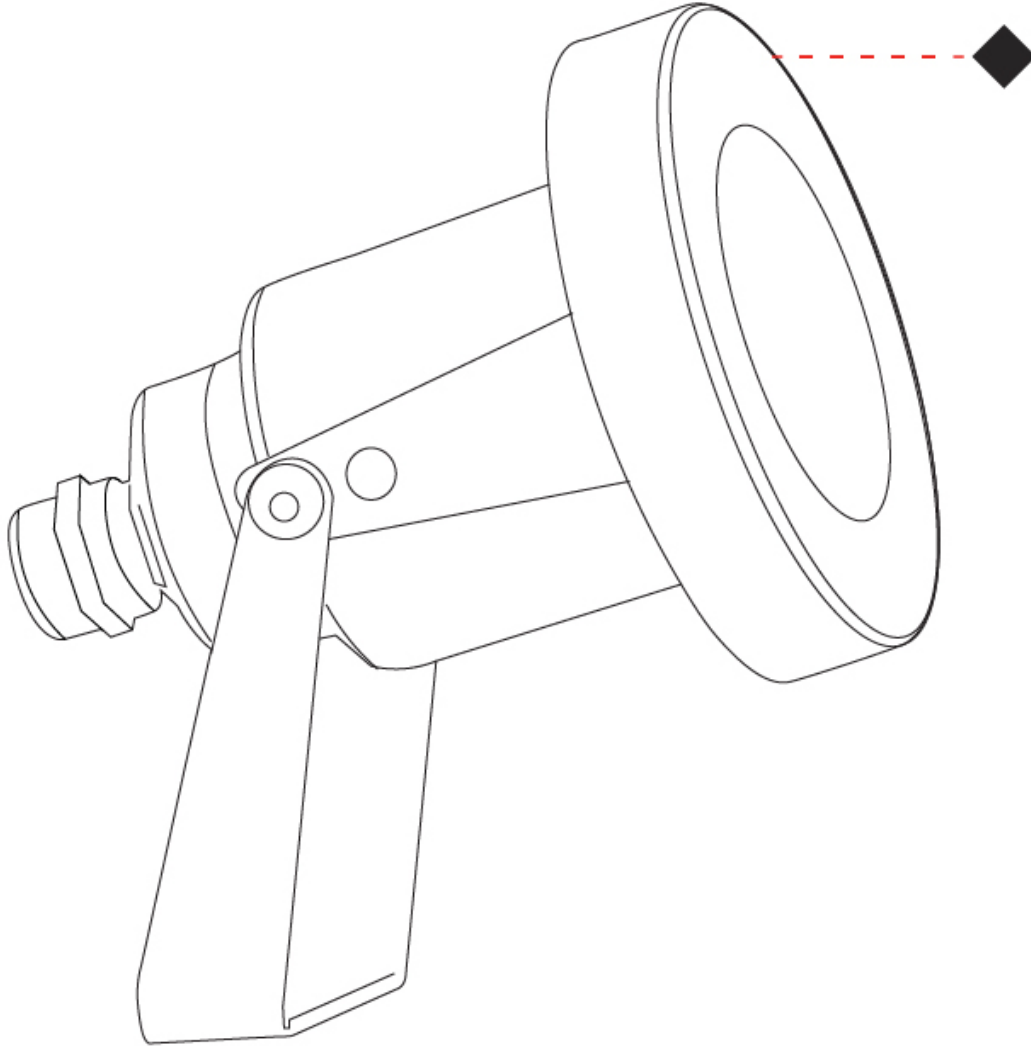
PROJECT _____

TYPE _____

NOTES _____

QUANTITY _____

DATE _____



E

MICRO STEEL SURFACE COLOR FINISH CHART

PROJECT	_____
TYPE	_____
NOTES	_____
QUANTITY	_____
DATE	_____

Digital: Not all screens are calibrated the same, and therefore, colors will appear differently between screens.
Physical: When texture is involved, there will be variations in color, character and tone within a product series and between product families.

