

PROJECT _____
 TYPE _____
 SPECIFIER _____
 QUANTITY _____
 DATE _____

CORTO SURFACE

A1250002-

base number _____ Color _____
 Temperature _____

- To build a product code in our configurator select the specify button on the base model # product page
- To build a manual product code on this datasheet choose from the options listed below in blue font and add the suffix to the base model #

GENERAL

Series: Corto _____
 Brand: Unonovesette _____
 Division: Architectural _____
 Mounting Type: Surface _____
 Mounting Location: Under Steps _____
 Subcategory: Profile _____

PHYSICAL

Shape: Rectangle _____
 Length (mm): 500 _____
 Length (in): 19 ²/₃ _____
 Width (mm): 9 _____
 Width (in): 1/3 _____
 Height (mm): 14 _____
 Height (in): 5/9 _____
 Light Distribution: Direct _____
 Weight (kg): 0.07 _____
 Weight (lbs): 0.15 _____
 Diffuser: Opal PMMA _____
 Fixture Finish: ANA _____
 Fixture Material: Extruded Aluminum _____
 Cable Details: 450mm cable 2x0.5 mm2 _____

ELECTRICAL

Lamp Type: LED _____
 Input Wattage (W): 10.5-14 _____
 Total Output Wattage (W): 8.9 _____
 Dimming: Non-Dimming / Phase Dimming (120Vac only) / 0-10V Dimming _____
 Driver Included: No _____
 Driver Location: Remote _____
 Driver Type: Constant Voltage - Universal _____
 Driver Class: Class 2 _____
 Input Voltage (V): 120 - 277 _____
 Output Voltage (V): 24 _____

LED

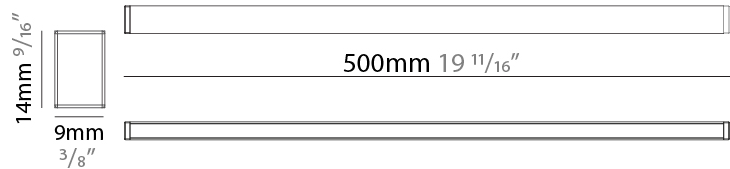
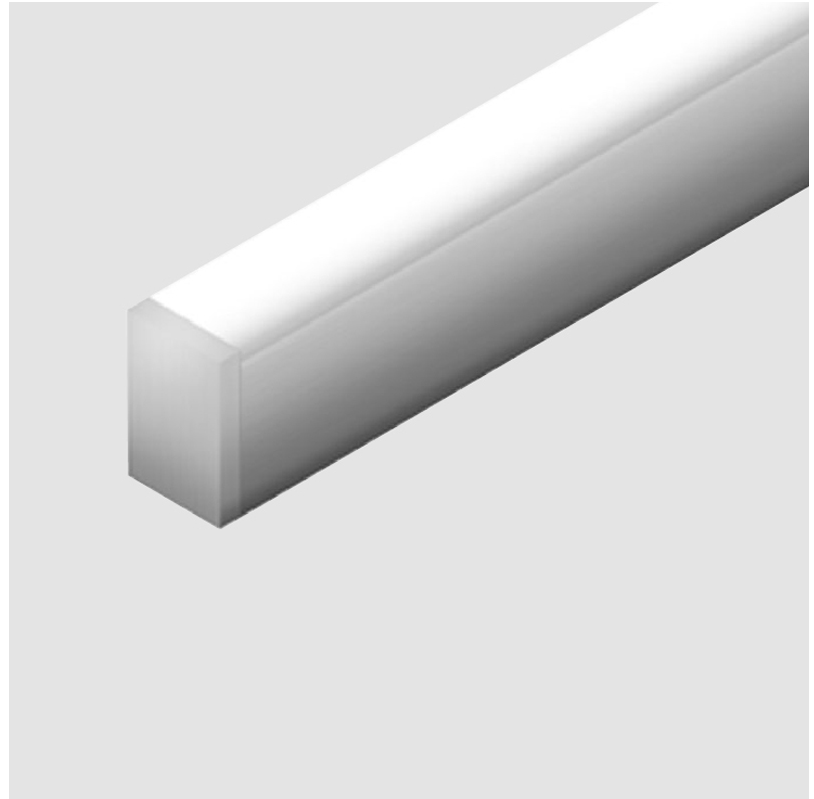
Color Temperature (°K): 2700 / 3000 / 4000 _____
 Max. Delivered Lumen (lm): 720 _____
 CRI: >85 CRI _____
 Lamp Life (hrs): 100000 _____

OPTICAL

Optic°: 180 _____
 Beam Angle: Diffused _____
 Adjustability: Fixed _____

RATINGS AND CERTIFICATIONS

Certified By: Certified for North American Standards _____
 IP rating: IP40 _____



PROJECT
TYPE
SPECIFIER
QUANTITY
DATE

CORTO SURFACE

A1250003-

base number Color
Temperature

- To build a product code in our configurator select the specify button on the base model # product page
- To build a manual product code on this datasheet choose from the options listed below in blue font and add the suffix to the base model #

GENERAL

Series: Corto
 Brand: Unonovesette
 Division: Architectural
 Mounting Type: Surface
 Mounting Location: Under Steps
 Subcategory: Profile

PHYSICAL

Shape: Rectangle
 Length (mm): 1000
 Length (in): 39 3/8"
 Width (mm): 9
 Width (in): 1/3
 Height (mm): 14
 Height (in): 5/9
 Light Distribution: Direct
 Weight (kg): 0.14
 Weight (lbs): 0.30
 Diffuser: Opal PMMA
 Fixture Finish: ANA
 Fixture Material: Extruded Aluminum
 Cable Details: 450mm cable 2x0.5 mm2

ELECTRICAL

Lamp Type: LED
 Input Wattage (W): 21-28
 Total Output Wattage (W): 17.8
 Dimming: Non-Dimming / Phase Dimming (120Vac only) / 0-10V Dimming
 Driver Included: No
 Driver Location: Remote
 Driver Type: Constant Voltage - Universal
 Driver Class: Class 2
 Input Voltage (V): 120 - 277
 Output Voltage (V): 24

LED

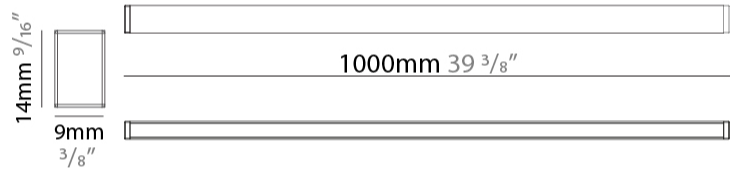
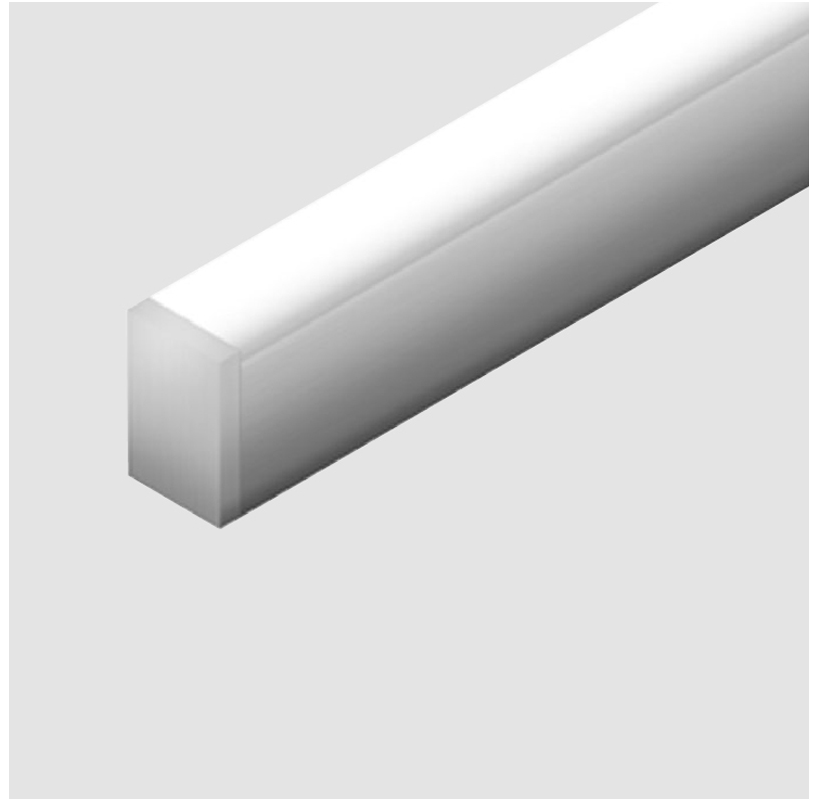
Color Temperature (°K): 2700 / 3000 / 4000
 Max. Delivered Lumen (lm): 1440
 CRI: >85 CRI
 Lamp Life (hrs): 100000

OPTICAL

Optic°: 180
 Beam Angle: Diffused
 Adjustability: Fixed

RATINGS AND CERTIFICATIONS

Certified By: Certified for North American Standards
 IP rating: IP40



PROJECT
TYPE
SPECIFIER
QUANTITY
DATE

CORTO SURFACE

A1250004-

base number _____ Color _____
 _____ Temperature _____

- To build a product code in our configurator select the specify button on the base model # product page
- To build a manual product code on this datasheet choose from the options listed below in blue font and add the suffix to the base model #

GENERAL

Series: Corto _____
 Brand: Unonovesette _____
 Division: Architectural _____
 Mounting Type: Surface _____
 Mounting Location: Under Steps _____
 Subcategory: Profile _____

PHYSICAL

Shape: Rectangle _____
 Length (mm): 1500 _____
 Length (in): 59 _____
 Width (mm): 9 _____
 Width (in): 1/3 _____
 Height (mm): 14 _____
 Height (in): 5/9 _____
 Light Distribution: Direct _____
 Weight (kg): 0.21 _____
 Weight (lbs): 0.46 _____
 Diffuser: Opal PMMA _____
 Fixture Finish: ANA _____
 Fixture Material: Extruded Aluminum _____
 Cable Details: 450mm cable 2x0.5 mm2 _____

ELECTRICAL

Lamp Type: LED _____
 Input Wattage (W): 31.5-42 _____
 Total Output Wattage (W): 27 _____
 Dimming: Non-Dimming / Phase Dimming (120Vac only) / 0-10V Dimming _____
 Driver Included: No _____
 Driver Location: Remote _____
 Driver Type: Constant Voltage - Universal _____
 Driver Class: Class 2 _____
 Input Voltage (V): 120 - 277 _____
 Output Voltage (V): 24 _____

LED

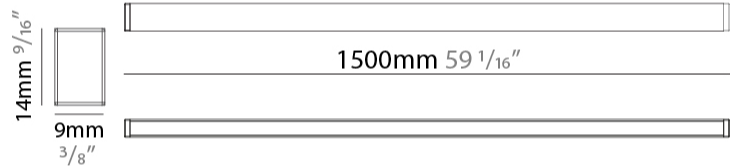
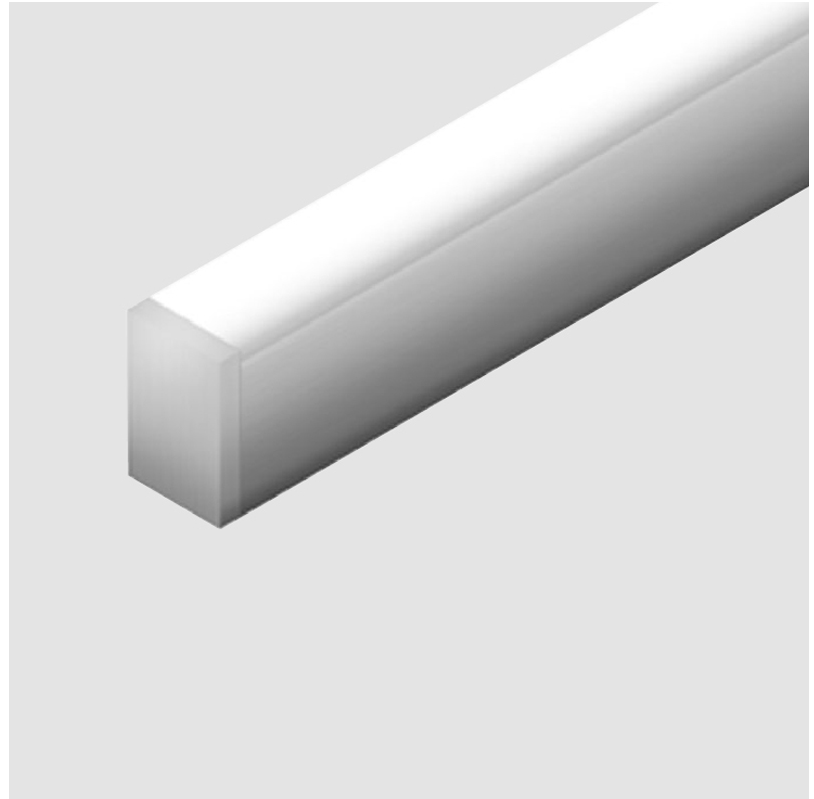
Color Temperature (°K): 2700 / 3000 / 4000 _____
 Max. Delivered Lumen (lm): 2160 _____
 CRI: >85 CRI _____
 Lamp Life (hrs): 100000 _____

OPTICAL

Optic°: 180 _____
 Beam Angle: Diffused _____
 Adjustability: Fixed _____

RATINGS AND CERTIFICATIONS

Certified By: Certified for North American Standards _____
 IP rating: IP40 _____



CORTO SURFACE

A1250005-

base number _____ Color _____
Temperature _____

- To build a product code in our configurator select the specify button on the base model # product page
- To build a manual product code on this datasheet choose from the options listed below in blue font and add the suffix to the base model #

GENERAL

Series: Corto _____
 Brand: Unonovesette _____
 Division: Architectural _____
 Mounting Type: Surface _____
 Mounting Location: Under Steps _____
 Subcategory: Profile _____

PHYSICAL

Shape: Rectangle _____
 Length (mm): 2000 _____
 Length (in): 78 3/4 _____
 Width (mm): 9 _____
 Width (in): 1/3 _____
 Height (mm): 14 _____
 Height (in): 5/9 _____
 Light Distribution: Direct _____
 Weight (kg): 0.21 _____
 Weight (lbs): 0.46 _____
 Diffuser: Opal PMMA _____
 Fixture Finish: ANA _____
 Fixture Material: Extruded Aluminum _____
 Cable Details: 450mm cable 2x0.5 mm2 _____

ELECTRICAL

Lamp Type: LED _____
 Input Wattage (W): 44-56 _____
 Total Output Wattage (W): 36 _____
 Dimming: Non-Dimming / Phase Dimming (120Vac only) / 0-10V Dimming _____
 Driver Included: No _____
 Driver Location: Remote _____
 Driver Type: Constant Voltage - Universal _____
 Driver Class: Class 2 _____
 Input Voltage (V): 120 - 277 _____
 Output Voltage (V): 24 _____

LED

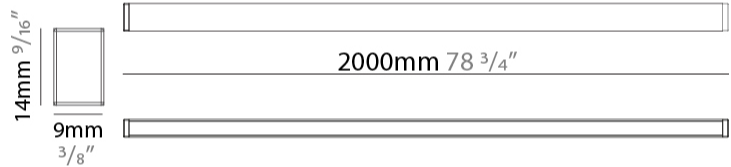
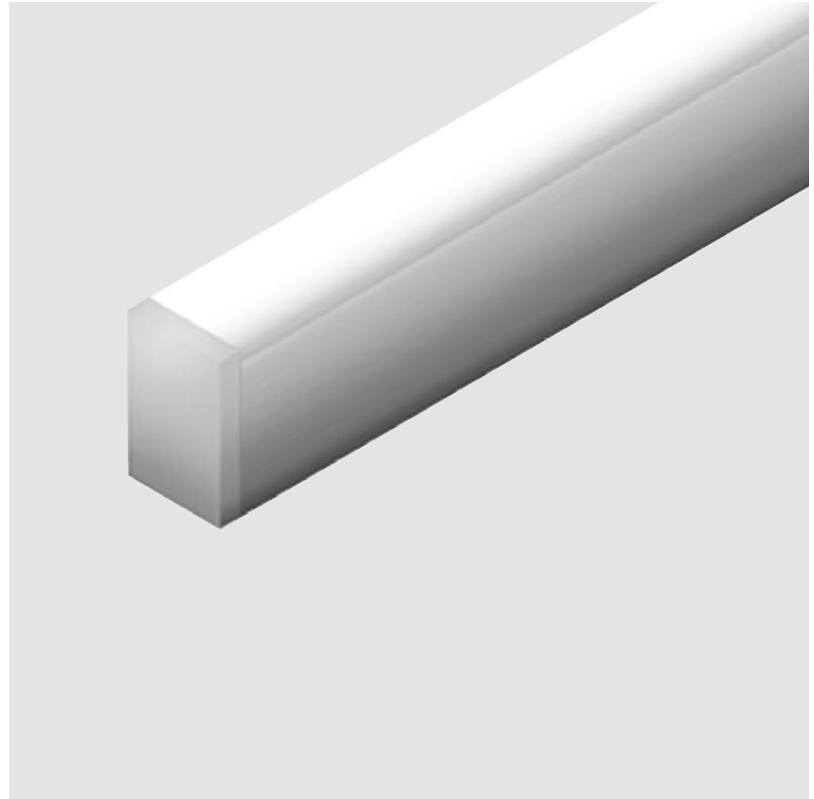
Color Temperature (°K): 2700 / 3000 / 4000 _____
 Max. Delivered Lumen (lm): 2160 _____
 CRI: >85 CRI _____
 Lamp Life (hrs): 100000 _____

OPTICAL

Optic°: 180 _____
 Beam Angle: Diffused _____
 Adjustability: Fixed _____

RATINGS AND CERTIFICATIONS

Certified By: Certified for North American Standards _____
 IP rating: IP40 _____



PROJECT	_____
TYPE	_____
SPECIFIER	_____
QUANTITY	_____
DATE	_____

Fixture Finish

Natural anodized - ANA



Digital: Not all screens are calibrated the same, and therefore, colors will appear differently between screens.
Physical: When texture is involved, there will be variations in color, character and tone within a product series and between product families.



LEGEND

	floor-mounted		pivotal		special LED (upon request) RGB, RGBW, tunable, gold+, meat+, art+, fashion+
	wall and ceiling: recessed and surface mounted		rotating		warm dim / natural dimming LED
	ceiling-mounted and wall-mounted		illuminate tilted		rechargeable battery powered
	wall-mounted		color of suspension cable		fixture with natural vivid LED (upon request)
	omni-directional light distribution		length of suspension cable		color rendering index
	direct light distribution		reflector degree selection		color temperature
	direct/indirect light distribution		super spot		lumen (luminous flux)
	indirect light distribution		lens		efficacy (lumens per watt)
	asymmetric light distribution		lens pack		Unified Glare Rating (UGR) range from 5-40
	aura light distribution		shine ring		marine grade (AISI 316 stainless steel)
	round wall or ceiling cut-out		integrated shine ring with diffuser		walk on
	square wall or ceiling cut-out		free individual colors 01-29		drive on
	the supplied jig specifies the cutout dimensions		individual colors: 00 (free of charge), 01-25 (extra charge)		Dark Sky Compliance
	minimum distance (meters) lamp - object		luminaire part to be colored (F1)		Americans with Disabilities Act (less than 4" off the wall located between 27"-84" from floor)
	recessed depth		luminaire part to be colored (F2)		lamp protected against explosion
	ceiling thickness in mm		luminaire part to be colored (F3)		blown glass using traditional methods by master glass blower
	ceiling thickness selection		luminaire part to be colored (F4)		acoustic material
	dimmable DP (phase), DV (0-10V), DD (dali), DS (step-dim)		luminaire part to be colored (F5)		protection class I, protection insulation
	included or excluded LED driver/transformer/control gear		color of 3-circuit adaptor		protection class II, protection insulation
	separately switchable		indirect diffuser		ETL Certified to UL and CSA Standards
	sensor		direct diffuser		UL Certified to UL and CSA Standards
	remote control		ball-proof (upon request)		CSA Certified to UL and CSA Standards
	available upon request		accessory		Certified for North American Standards

IP RATING

	protected against ingress of solid bodies greater than 12.5mm (finger)
	protected against ingress of solid bodies greater than 2.5mm protected against sprays of water up to 60 degrees from the vertical (rain)
	protected against ingress of solid bodies greater than 1mm (wire) no protection against the ingress of moisture
	protected against ingress of solid bodies greater than 1mm (wire) protected against sprays of water up to 60 degrees from the vertical (rain)
	protected against ingress of solid bodies greater than 1mm (wire) protected against water splashed from all directions
	protected against limited ingress of dust (wet rooms/covered outdoor areas) protected against water splashed from all directions
	protected against ingress of dust protected against jets of water
	protected against ingress of dust protected against powerful jets of water or heavy seas
	protected against ingress of dust protected against immersion of water between 15cm - 1m for 30 minutes
	protected against ingress of dust protected against immersion of water under pressure for long periods

IK RATING

	protected against 0.14 joules impact (equivalent to 0.25kg mass dropped from 56mm above the surface)
	protected against 0.2 joules impact (equivalent to 0.25kg mass dropped from 80mm above the surface)
	protected against 0.35 joules impact (equivalent to 0.25kg mass dropped from 140mm above the surface)
	protected against 0.5 joules impact (equivalent to 0.25kg mass dropped from 200mm above the surface)
	protected against 0.7 joules impact (equivalent to 0.25kg mass dropped from 280mm above the surface)
	protected against 1 joules impact (equivalent to 0.25kg mass dropped from 400mm above the surface)
	protected against 2 joules impact (equivalent to 0.5kg mass dropped from 400mm above the surface)
	protected against 5 joules impact (equivalent to 1.7kg mass dropped from 300mm above the surface)
	protected against 10 joules impact (equivalent to 5.0kg mass dropped from 200mm above the surface)
	protected against 20 joules impact (equivalent to 5.0kg mass dropped from 400mm above the surface)