

|           |  |
|-----------|--|
| PROJECT   |  |
| TYPE      |  |
| SPECIFIER |  |
| QUANTITY  |  |
| DATE      |  |

## FIJI MONOPOINT SUSPENSION

### D141159-

|             |                      |                   |                   |
|-------------|----------------------|-------------------|-------------------|
| base number | Color<br>Temperature | Finish<br>Options | Finish<br>Options |
|-------------|----------------------|-------------------|-------------------|

- To build a product code in our configurator select the specify button on the base model # product page
- To build a manual product code on this datasheet choose from the options listed below in blue font and add the suffix to the base model #

#### GENERAL

|                            |
|----------------------------|
| Series: Fiji               |
| Subseries: Fiji Monopoint  |
| Brand: Cangini & Tucci     |
| Division: Design           |
| Mounting Type: Suspension  |
| Mounting Location: Ceiling |
| Subcategory: Pendant       |

#### PHYSICAL

|   |
|---|
| Shape: Dome   |
| Diameter (mm): 280  |
| Diameter (in): 11   |
| Height (mm): 120  |
| Height (in): 4 3/4  |
| Max. Overall Height (mm): 1620  |
| Max. Overall Height (in): 63 3/4  |
| Light Distribution: Omnidirectional   |
| Weight (kg): 1.24   |
| Weight (lbs): 2.73  |
| Diffuser: Glass - Opal  |
| Fixture Finish: <a href="#">AMB</a> / <a href="#">GRN</a> / <a href="#">PNK</a> / <a href="#">RUB</a> / <a href="#">SKB</a> / <a href="#">SMK</a> / <a href="#">TOB</a> / <a href="#">TRA</a> |
| Holder Finish: CHR / BLK  |
| Fixture Material: Glass / Metal   |
| Cable Details: 1500mm cable   |

#### ELECTRICAL

|  |
|--|
| Lamp Type: LED   |
| Input Wattage (W): 14.2  |
| Total Output Wattage (W): 11.7                                 |
| Dimming: Phase Dimming (120Vac Only)                           |
| Driver Included: Yes   |
| Driver Location: Integrated                                    |
| Driver Type: Constant Current - 120Vac                         |
| Driver Class: Class 2  |
| Input Voltage (V): 120 - 277                                   |
| Constant Current (MA): 350                                     |
| Upon Request: Remote: 0-10Vdc dimming / Non-dimming 120/277Vac |

#### LED

|   |
|---|
| Color Temperature (°K): <a href="#">2700</a> / <a href="#">3000</a> |
| Max. Delivered Lumen (lm): 1615                                     |
| CRI: >95 CRI  |

#### OPTICAL

#### RATINGS AND CERTIFICATIONS

|  |
|--|
| Certified By: Certified for North American Standards |
| IP rating: IP20                                      |



## FIJI MONOPOINT SUSPENSION

D141159-

PROJECT \_\_\_\_\_

TYPE \_\_\_\_\_

SPECIFIER \_\_\_\_\_

QUANTITY \_\_\_\_\_

DATE \_\_\_\_\_



D

|           |  |
|-----------|--|
| PROJECT   |  |
| TYPE      |  |
| SPECIFIER |  |
| QUANTITY  |  |
| DATE      |  |

## FIJI MONOPOINT SUSPENSION

### D141160-

|             |                      |                   |                   |
|-------------|----------------------|-------------------|-------------------|
| base number | Color<br>Temperature | Finish<br>Options | Finish<br>Options |
|-------------|----------------------|-------------------|-------------------|

- To build a product code in our configurator select the specify button on the base model # product page
- To build a manual product code on this datasheet choose from the options listed below in blue font and add the suffix to the base model #

#### GENERAL

|                            |
|----------------------------|
| Series: Fiji               |
| Subseries: Fiji Monopoint  |
| Brand: Cangini & Tucci     |
| Division: Design           |
| Mounting Type: Suspension  |
| Mounting Location: Ceiling |
| Subcategory: Pendant       |

#### PHYSICAL

|   |
|---|
| Shape: Dome   |
| Diameter (mm): 360  |
| Diameter (in): 14 <sup>3</sup> / <sub>16</sub> "  |
| Height (mm): 150  |
| Height (in): 5 <sup>7</sup> / <sub>8</sub> "  |
| Max. Overall Height (mm): 1650  |
| Max. Overall Height (in): 64 <sup>15</sup> / <sub>16</sub> "  |
| Light Distribution: Omnidirectional   |
| Weight (kg): 1.77   |
| Weight (lbs): 3.90  |
| Diffuser: Glass - Opal  |
| Fixture Finish: <a href="#">AMB</a> / <a href="#">GRN</a> / <a href="#">PNK</a> / <a href="#">RUB</a> / <a href="#">SKB</a> / <a href="#">SMK</a> / <a href="#">TOB</a> / <a href="#">TRA</a> |
| Holder Finish: CHR / BLK  |
| Fixture Material: Glass / Metal   |
| Cable Details: 1500mm cable   |

#### ELECTRICAL

|  |
|--|
| Lamp Type: LED   |
| Input Wattage (W): 14.2  |
| Total Output Wattage (W): 11.7                                 |
| Dimming: Phase Dimming (120Vac Only)                           |
| Driver Included: Yes   |
| Driver Location: Integrated                                    |
| Driver Type: Constant Current - 120Vac                         |
| Driver Class: Class 2  |
| Input Voltage (V): 120 - 277                                   |
| Constant Current (MA): 350                                     |
| Upon Request: Remote: 0-10Vdc dimming / Non-dimming 120/277Vac |

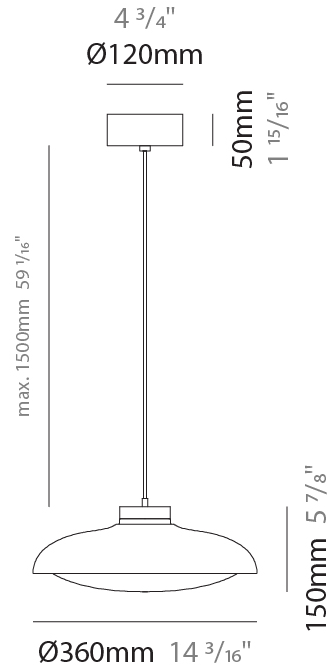
#### LED

|   |
|---|
| Color Temperature (°K): <a href="#">2700</a> / <a href="#">3000</a> |
| Max. Delivered Lumen (lm): 1615                                     |
| CRI: >95 CRI  |

#### OPTICAL

#### RATINGS AND CERTIFICATIONS

|  |
|--|
| Certified By: Certified for North American Standards |
| IP rating: IP20                                      |



## FIJI MONOPOINT SUSPENSION

D141160-

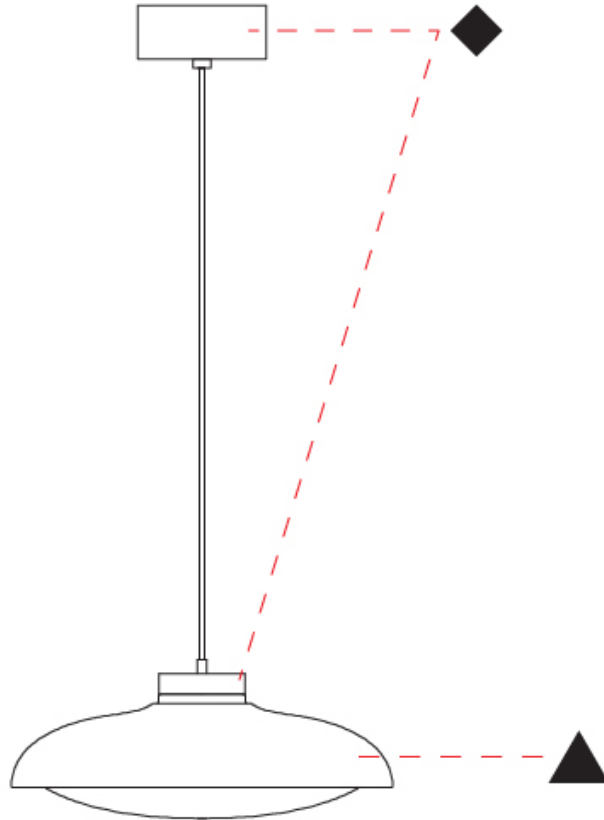
PROJECT \_\_\_\_\_

TYPE \_\_\_\_\_

SPECIFIER \_\_\_\_\_

QUANTITY \_\_\_\_\_

DATE \_\_\_\_\_



D

PROJECT \_\_\_\_\_  
 TYPE \_\_\_\_\_  
 SPECIFIER \_\_\_\_\_  
 QUANTITY \_\_\_\_\_  
 DATE \_\_\_\_\_

## FIJI MONOPOINT SUSPENSION

### D141161-

base number    Color    Finish    Finish  
 Temperature    Options    Options

- To build a product code in our configurator select the specify button on the base model # product page
- To build a manual product code on this datasheet choose from the options listed below in blue font and add the suffix to the base model #

#### GENERAL

Series: Fiji  
 Subseries: Fiji Monopoint  
 Brand: Cangini & Tucci  
 Division: Design  
 Mounting Type: Suspension  
 Mounting Location: Ceiling  
 Subcategory: Pendant

#### PHYSICAL

Shape: Dome  
 Diameter (mm): 460  
 Diameter (in): 18 1/8  
 Height (mm): 160  
 Height (in): 6 3/8  
 Max. Overall Height (mm): 1660  
 Max. Overall Height (in): 65 3/8  
 Light Distribution: Omnidirectional  
 Weight (kg): 3.82  
 Weight (lbs): 8.42  
 Diffuser: Glass - Opal  
 Fixture Finish: [AMB](#) / [GRN](#) / [PNK](#) / [RUB](#) / [SKB](#) / [SMK](#) / [TOB](#) / [TRA](#)  
 Holder Finish: CHR / BLK  
 Fixture Material: Glass / Metal  
 Cable Details: 1500mm cable

#### ELECTRICAL

Lamp Type: LED  
 Input Wattage (W): 14.2  
 Total Output Wattage (W): 11.7  
 Dimming: Phase Dimming (120Vac Only)  
 Driver Included: Yes  
 Driver Location: Integrated  
 Driver Type: Constant Current - 120Vac  
 Driver Class: Class 2  
 Input Voltage (V): 120 - 277  
 Constant Current (MA): 350  
 Upon Request: Remote: 0-10Vdc dimming / Non-dimming 120/277Vac

#### LED

Color Temperature (°K): [2700](#) / [3000](#)  
 Max. Delivered Lumen (lm): 1615  
 CRI: >95 CRI

#### OPTICAL

#### RATINGS AND CERTIFICATIONS

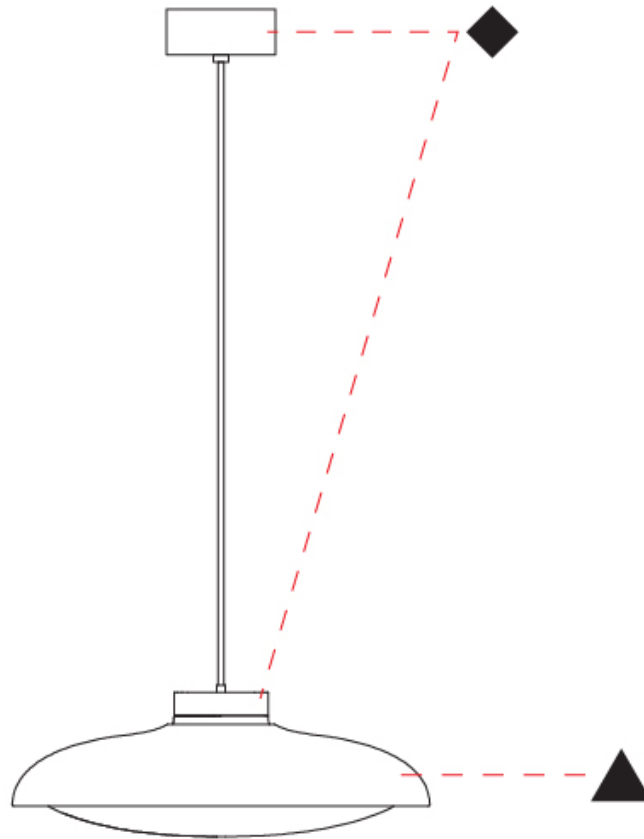
Certified By: Certified for North American Standards  
 IP rating: IP20



## FIJI MONOPOINT SUSPENSION

D141161-

|           |
|-----------|
| PROJECT   |
| TYPE      |
| SPECIFIER |
| QUANTITY  |
| DATE      |



D

|           |       |
|-----------|-------|
| PROJECT   | _____ |
| TYPE      | _____ |
| SPECIFIER | _____ |
| QUANTITY  | _____ |
| DATE      | _____ |

## FIJI 3 LIGHT CLUSTER SUSPENSION

### D141165-

|             |             |         |         |
|-------------|-------------|---------|---------|
| base number | Color       | Finish  | Finish  |
|             | Temperature | Options | Options |

- To build a product code in our configurator select the specify button on the base model # product page
- To build a manual product code on this datasheet choose from the options listed below in blue font and add the suffix to the base model #

#### GENERAL

|                                 |
|---------------------------------|
| Series: Fiji                    |
| Subseries: Fiji 3 Light Cluster |
| Brand: Cangini & Tucci          |
| Division: Design                |
| Mounting Type: Suspension       |
| Mounting Location: Ceiling      |
| Subcategory: Pendant            |

#### PHYSICAL

|   |
|---|
| Shape: Dome   |
| Diameter (mm): 780  |
| Diameter (in): 30 <sup>11</sup> / <sub>16</sub>                               |
| Height (mm): 1500   |
| Height (in): 59 <sup>1</sup> / <sub>16</sub>                                  |
| Light Distribution: Omnidirectional   |
| Weight (kg): 11.83  |
| Weight (lbs): 20.08   |
| Diffuser: Glass - Opal  |
| Fixture Finish: <a href="#">AMB / GRN / PNK / RUB / SKB / SMK / TOB / TRA</a> |
| Holder Finish: CHR / BLK  |
| Fixture Material: Glass / Metal   |
| Cable Details: 1500mm cable   |

#### ELECTRICAL

|  |
|--|
| Lamp Type: LED   |
| Input Wattage (W): 42.6                                |
| Total Output Wattage (W): 35.1                         |
| Dimming: Phase Dimming (120Vac Only)                   |
| Driver Included: Yes                                   |
| Driver Location: Integrated                            |
| Driver Type: Constant Current - 120Vac                 |
| Driver Class: Class 2                                  |
| Input Voltage (V): 120 - 277                           |
| Constant Current (MA): 350                             |
| Upon Request: 0-10Vdc dimming / Non-dimming 120/277Vac |

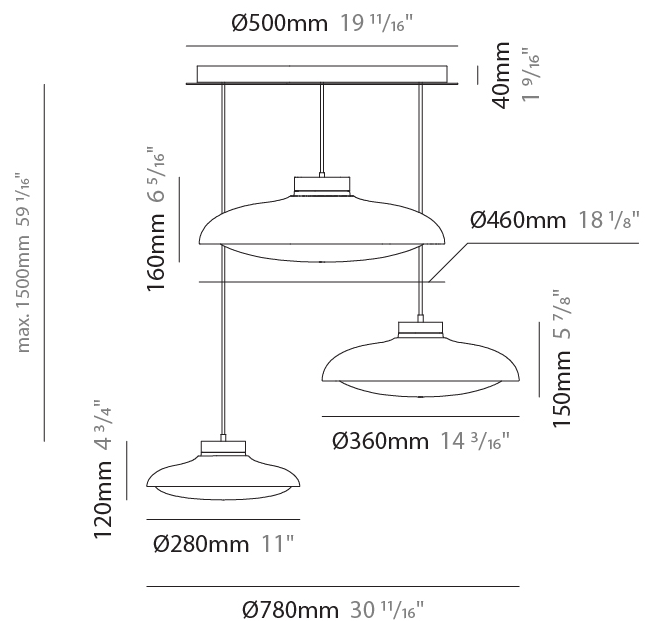
#### LED

|                                     |
|-------------------------------------|
| Color Temperature (°K): 2700 / 3000 |
| Max. Delivered Lumen (lm): 4845     |
| CRI: >95 CRI                        |

#### OPTICAL

#### RATINGS AND CERTIFICATIONS

|  |
|--|
| Certified By: Certified for North American Standards |
| IP rating: IP20                                      |



## FIJI 3 LIGHT CLUSTER SUSPENSION

D141165-

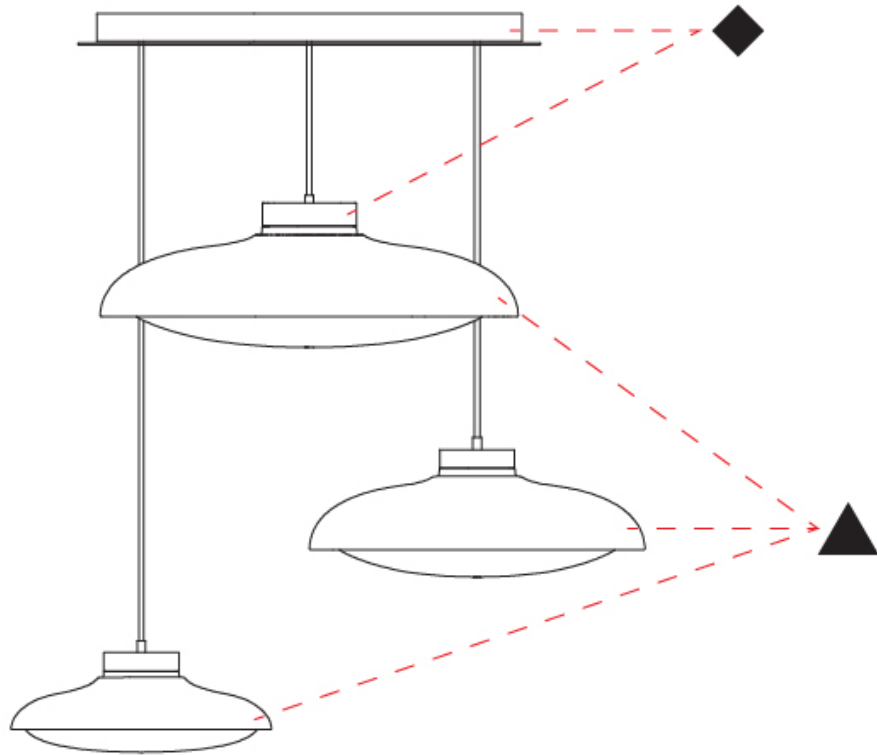
PROJECT \_\_\_\_\_

TYPE \_\_\_\_\_

SPECIFIER \_\_\_\_\_

QUANTITY \_\_\_\_\_

DATE \_\_\_\_\_



D



|           |       |
|-----------|-------|
| PROJECT   | _____ |
| TYPE      | _____ |
| SPECIFIER | _____ |
| QUANTITY  | _____ |
| DATE      | _____ |

## FIJI 3 LIGHT LINEAR SUSPENSION

### D141166-

|             |             |         |         |
|-------------|-------------|---------|---------|
| base number | Color       | Finish  | Finish  |
|             | Temperature | Options | Options |

- To build a product code in our configurator select the specify button on the base model # product page
- To build a manual product code on this datasheet choose from the options listed below in blue font and add the suffix to the base model #

#### GENERAL

|                                |
|--------------------------------|
| Series: Fiji                   |
| Subseries: Fiji 3 Light Linear |
| Brand: Cangini & Tucci         |
| Division: Design               |
| Mounting Type: Suspension      |
| Mounting Location: Ceiling     |
| Subcategory: Pendant           |

#### PHYSICAL

|   |
|---|
| Shape: Dome   |
| Length (mm): 1280   |
| Length (in): 50 <sup>3</sup> / <sub>8</sub>   |
| Width (mm): 280   |
| Width (in): 11  |
| Height (mm): 120  |
| Height (in): 4 <sup>3</sup> / <sub>4</sub>  |
| Max. Overall Height (mm): 1500  |
| Max. Overall Height (in): 59 <sup>1</sup> / <sub>16</sub>   |
| Light Distribution: Omnidirectional   |
| Weight (kg): 7.90   |
| Weight (lbs): 20.08   |
| Diffuser: Glass - Opal  |
| Fixture Finish: <a href="#">AMB</a> / <a href="#">GRN</a> / <a href="#">PNK</a> / <a href="#">RUB</a> / <a href="#">SKB</a> / <a href="#">SMK</a> / <a href="#">TOB</a> / <a href="#">TRA</a> |
| Holder Finish: <a href="#">CHR</a> / <a href="#">BLK</a>  |
| Fixture Material: Glass / Metal   |
| Cable Details: 1500mm cable   |

#### ELECTRICAL

|  |
|--|
| Lamp Type: LED   |
| Input Wattage (W): 42.6                                |
| Total Output Wattage (W): 35.1                         |
| Dimming: Phase Dimming (120Vac Only)                   |
| Driver Included: Yes                                   |
| Driver Location: Integrated                            |
| Driver Type: Constant Current - 120Vac                 |
| Driver Class: Class 2                                  |
| Input Voltage (V): 120 - 277                           |
| Constant Current (MA): 350                             |
| Upon Request: 0-10Vdc dimming / Non-dimming 120/277Vac |

#### LED

|                                     |
|-------------------------------------|
| Color Temperature (°K): 2700 / 3000 |
| Max. Delivered Lumen (lm): 4845     |
| CRI: >95 CRI                        |

#### OPTICAL

#### RATINGS AND CERTIFICATIONS

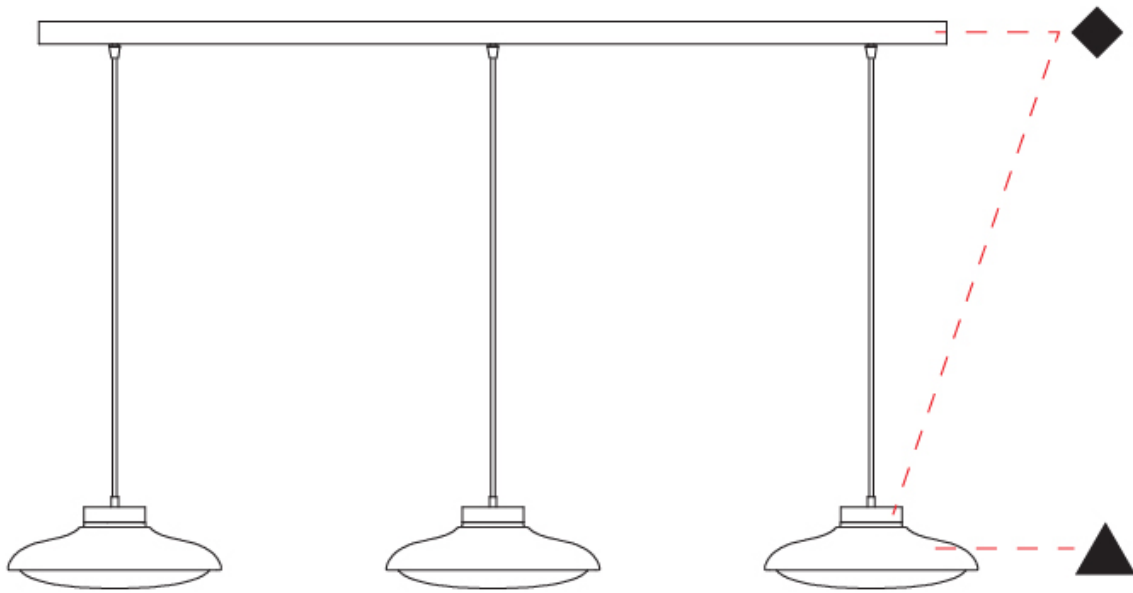
|  |
|--|
| Certified By: Certified for North American Standards |
| IP rating: IP20                                      |



## FIJI 3 LIGHT LINEAR SUSPENSION

D141166-

|           |       |
|-----------|-------|
| PROJECT   | _____ |
| TYPE      | _____ |
| SPECIFIER | _____ |
| QUANTITY  | _____ |
| DATE      | _____ |



D

|           |
|-----------|
| PROJECT   |
| TYPE      |
| SPECIFIER |
| QUANTITY  |
| DATE      |

## FIJI SURFACE

### D142009-

|             |                      |                   |                   |
|-------------|----------------------|-------------------|-------------------|
| base number | Color<br>Temperature | Finish<br>Options | Finish<br>Options |
|-------------|----------------------|-------------------|-------------------|

- To build a product code in our configurator select the specify button on the base model # product page
- To build a manual product code on this datasheet choose from the options listed below in blue font and add the suffix to the base model #

#### GENERAL

|                            |
|----------------------------|
| Series: Fiji               |
| Brand: Cangini & Tucci     |
| Division: Design           |
| Mounting Type: Surface     |
| Mounting Location: Ceiling |
| Subcategory: Ambient       |

#### PHYSICAL

|   |
|---|
| Shape: Dome   |
| Diameter (mm): 280  |
| Diameter (in): 11   |
| Height (mm): 130  |
| Height (in): 5 1/8  |
| Light Distribution: Omnidirectional   |
| Weight (kg): 1.14   |
| Weight (lbs): 2.51  |
| Diffuser: Glass - Opal  |
| Fixture Finish: <a href="#">AMB</a> / <a href="#">GRN</a> / <a href="#">MBK</a> / <a href="#">PNK</a> / <a href="#">RUB</a> / <a href="#">SKB</a> / <a href="#">SMK</a> / <a href="#">TOB</a> / <a href="#">TRA</a> |
| Holder Finish: <a href="#">CHR</a> / <a href="#">BLK</a>  |
| Fixture Material: Glass / Metal   |
| Cable Details: 1500mm cable   |

#### ELECTRICAL

|  |
|--|
| Lamp Type: LED   |
| Input Wattage (W): 14.2  |
| Total Output Wattage (W): 11.7                                 |
| Dimming: Phase Dimming (120Vac Only)                           |
| Driver Included: Yes   |
| Driver Location: Integrated                                    |
| Driver Type: Constant Current - 120Vac                         |
| Driver Class: Class 2  |
| Input Voltage (V): 120 - 277                                   |
| Constant Current (MA): 350                                     |
| Upon Request: Remote: 0-10Vdc dimming / Non-dimming 120/277Vac |

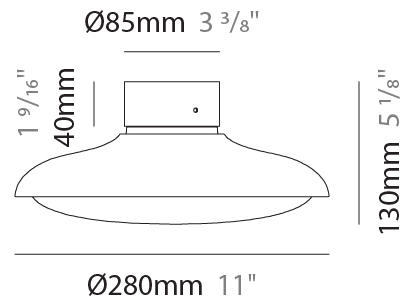
#### LED

|   |
|---|
| Color Temperature (°K): <a href="#">2700</a> / <a href="#">3000</a> |
| Max. Delivered Lumen (lm): 1615                                     |
| CRI: >95 CRI  |

#### OPTICAL

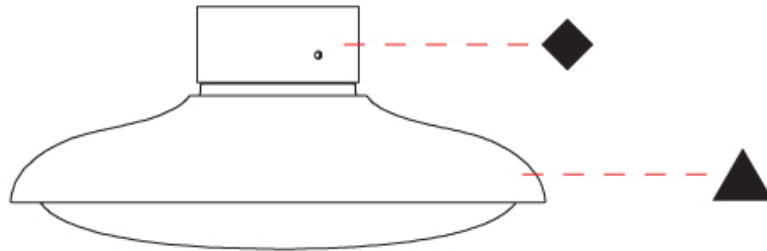
#### RATINGS AND CERTIFICATIONS

|  |
|--|
| Certified By: Certified for North American Standards |
| IP rating: IP20                                      |



D142009-

|           |       |
|-----------|-------|
| PROJECT   | _____ |
| TYPE      | _____ |
| SPECIFIER | _____ |
| QUANTITY  | _____ |
| DATE      | _____ |



|           |
|-----------|
| PROJECT   |
| TYPE      |
| SPECIFIER |
| QUANTITY  |
| DATE      |

## FIJI SURFACE

### D142010-

|             |                      |                   |                   |
|-------------|----------------------|-------------------|-------------------|
| base number | Color<br>Temperature | Finish<br>Options | Finish<br>Options |
|-------------|----------------------|-------------------|-------------------|

- To build a product code in our configurator select the specify button on the base model # product page
- To build a manual product code on this datasheet choose from the options listed below in blue font and add the suffix to the base model #

#### GENERAL

|                            |
|----------------------------|
| Series: Fiji               |
| Brand: Cangini & Tucci     |
| Division: Design           |
| Mounting Type: Surface     |
| Mounting Location: Ceiling |
| Subcategory: Ambient       |

#### PHYSICAL

|   |
|---|
| Shape: Dome   |
| Diameter (mm): 360  |
| Diameter (in): 14 <sup>3</sup> / <sub>16</sub>  |
| Height (mm): 160  |
| Height (in): 6 <sup>5</sup> / <sub>16</sub>   |
| Light Distribution: Omnidirectional   |
| Weight (kg): 1.67   |
| Weight (lbs): 3.68  |
| Diffuser: Glass - Opal  |
| Fixture Finish: <a href="#">AMB</a> / <a href="#">GRN</a> / <a href="#">MBK</a> / <a href="#">PNK</a> / <a href="#">RUB</a> / <a href="#">SKB</a> / <a href="#">SMK</a> / <a href="#">TOB</a> / <a href="#">TRA</a> |
| Holder Finish: CHR / BLK  |
| Fixture Material: Glass / Metal   |
| Cable Details: 1500mm cable   |

#### ELECTRICAL

|  |
|--|
| Lamp Type: LED   |
| Input Wattage (W): 14.2  |
| Total Output Wattage (W): 11.7                                 |
| Dimming: Phase Dimming (120Vac Only)                           |
| Driver Included: Yes   |
| Driver Location: Integrated                                    |
| Driver Type: Constant Current - 120Vac                         |
| Driver Class: Class 2  |
| Input Voltage (V): 120 - 277                                   |
| Constant Current (MA): 350                                     |
| Upon Request: Remote: 0-10Vdc dimming / Non-dimming 120/277Vac |

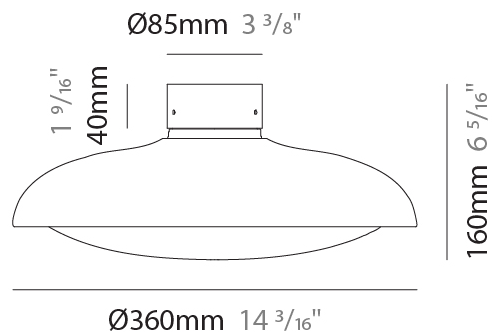
#### LED

|   |
|---|
| Color Temperature (°K): <a href="#">2700</a> / <a href="#">3000</a> |
| Max. Delivered Lumen (lm): 1615                                     |
| CRI: >95 CRI  |

#### OPTICAL

#### RATINGS AND CERTIFICATIONS

|  |
|--|
| Certified By: Certified for North American Standards |
| IP rating: IP20                                      |



D142010-

PROJECT \_\_\_\_\_

TYPE \_\_\_\_\_

SPECIFIER \_\_\_\_\_

QUANTITY \_\_\_\_\_

DATE \_\_\_\_\_



D

|           |  |
|-----------|--|
| PROJECT   |  |
| TYPE      |  |
| SPECIFIER |  |
| QUANTITY  |  |
| DATE      |  |

## FIJI SURFACE

### D142011-

|             |                      |                   |                   |
|-------------|----------------------|-------------------|-------------------|
| base number | Color<br>Temperature | Finish<br>Options | Finish<br>Options |
|-------------|----------------------|-------------------|-------------------|

- To build a product code in our configurator select the specify button on the base model # product page
- To build a manual product code on this datasheet choose from the options listed below in blue font and add the suffix to the base model #

#### GENERAL

|                            |
|----------------------------|
| Series: Fiji               |
| Brand: Cangini & Tucci     |
| Division: Design           |
| Mounting Type: Surface     |
| Mounting Location: Ceiling |
| Subcategory: Ambient       |

#### PHYSICAL

|   |
|---|
| Shape: Dome   |
| Diameter (mm): 460  |
| Diameter (in): 18 1/8   |
| Height (mm): 170  |
| Height (in): 6 11/16  |
| Light Distribution: Omnidirectional   |
| Weight (kg): 3.72   |
| Weight (lbs): 8.20  |
| Diffuser: Glass - Opal  |
| Fixture Finish: <a href="#">AMB</a> / <a href="#">GRN</a> / <a href="#">MBK</a> / <a href="#">PNK</a> / <a href="#">RUB</a> / <a href="#">SKB</a> / <a href="#">SMK</a> / <a href="#">TOB</a> / <a href="#">TRA</a> |
| Holder Finish: <a href="#">CHR</a> / <a href="#">BLK</a>  |
| Fixture Material: Glass / Metal   |

#### ELECTRICAL

|  |
|--|
| Lamp Type: LED   |
| Input Wattage (W): 14.2  |
| Total Output Wattage (W): 11.7                                 |
| Dimming: Phase Dimming (120Vac Only)                           |
| Driver Included: Yes   |
| Driver Location: Integrated                                    |
| Driver Type: Constant Current - 120Vac                         |
| Driver Class: Class 2  |
| Input Voltage (V): 120 - 277                                   |
| Constant Current (MA): 350                                     |
| Upon Request: Remote: 0-10Vdc dimming / Non-dimming 120/277Vac |

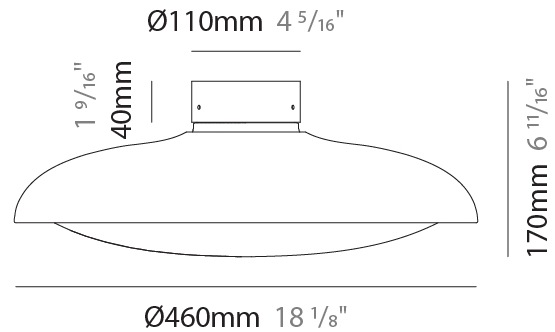
#### LED

|   |
|---|
| Color Temperature (°K): <a href="#">2700</a> / <a href="#">3000</a> |
| Max. Delivered Lumen (lm): 1615                                     |
| CRI: >95 CRI  |

#### OPTICAL

#### RATINGS AND CERTIFICATIONS

|  |
|--|
| Certified By: Certified for North American Standards |
| IP rating: IP20                                      |



D142011-

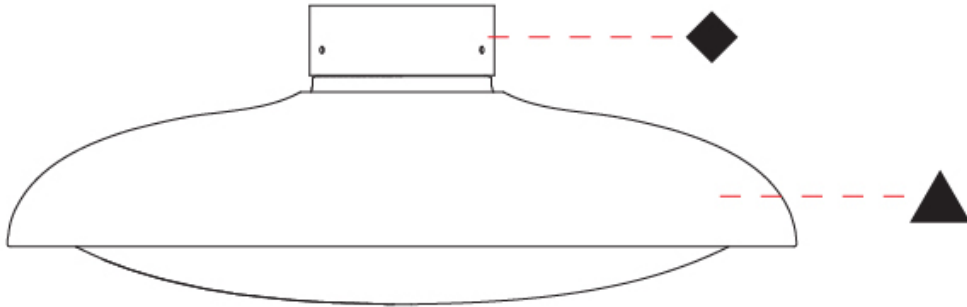
PROJECT \_\_\_\_\_

TYPE \_\_\_\_\_

SPECIFIER \_\_\_\_\_

QUANTITY \_\_\_\_\_

DATE \_\_\_\_\_



D



|           |       |
|-----------|-------|
| PROJECT   | _____ |
| TYPE      | _____ |
| SPECIFIER | _____ |
| QUANTITY  | _____ |
| DATE      | _____ |

## FIJI

### COLOR FINISH CHART

#### Fixture Finish

Amber - AMB



Green - GRN



Pink - PNK



Ruby - RUB



Sky Blue - SKB



Smoke - SMK



Tobacco - TOB



Transparent - TRA



Matte Black - MBK

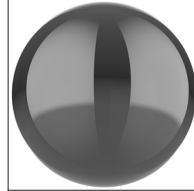


#### Holder Finish

Chrome - CHR



Black - BLK



**Digital:** Not all screens are calibrated the same, and therefore, colors will appear differently between screens.

**Physical:** When texture is involved, there will be variations in color, character and tone within a product series and between product families.



|           |  |
|-----------|--|
| PROJECT   |  |
| TYPE      |  |
| SPECIFIER |  |
| QUANTITY  |  |
| DATE      |  |

### LEGEND

|   |  |  |
|---|--|--|
| floor-mounted   | pivotal  | special LED (upon request) RGB, RGBW, tunable, gold+, meat+, art+, fashion+                    |
| wall and ceiling: recessed and surface mounted            | rotating   | warm dim / natural dimming LED   |
| ceiling-mounted and wall-mounted                          | illuminate tilted  | rechargeable battery powered   |
| wall-mounted  | color of suspension cable                                    | fixture with natural vivid LED (upon request)  |
| omni-directional light distribution                       | length of suspension cable                                   | color rendering index  |
| direct light distribution                                 | reflector degree selection                                   | color temperature  |
| direct/indirect light distribution                        | super spot   | lumen (luminous flux)  |
| indirect light distribution                               | lens   | efficacy (lumens per watt)   |
| asymmetric light distribution                             | lens pack  | Unified Glare Rating (UGR) range from 5-40   |
| aura light distribution                                   | shine ring   | marine grade (AISI 316 stainless steel)  |
| round wall or ceiling cut-out                             | integrated shine ring with diffuser                          | walk on  |
| square wall or ceiling cut-out                            | free individual colors 01-29                                 | drive on   |
| the supplied jig specifies the cutout dimensions          | individual colors: 00 (free of charge), 01-25 (extra charge) | Dark Sky Compliance  |
| minimum distance (meters) lamp - object                   | luminaire part to be colored (F1)                            | Americans with Disabilities Act (less than 4" off the wall located between 27"-84" from floor) |
| recessed depth  | luminaire part to be colored (F2)                            | lamp protected against explosion   |
| ceiling thickness in mm                                   | luminaire part to be colored (F3)                            | blown glass using traditional methods by master glass blower                                   |
| ceiling thickness selection                               | luminaire part to be colored (F4)                            | acoustic material  |
| dimmable DP (phase), DV (0-10V), DD (dali), DS (step-dim) | luminaire part to be colored (F5)                            | protection class I, protection insulation  |
| included or excluded LED driver/transformer/control gear  | color of 3-circuit adaptor                                   | protection class II, protection insulation   |
| separately switchable                                     | indirect diffuser  | ETL Certified to UL and CSA Standards  |
| sensor  | direct diffuser  | UL Certified to UL and CSA Standards   |
| remote control  | ball-proof (upon request)                                    | CSA Certified to UL and CSA Standards  |
| available upon request                                    | accessory  | Certified for North American Standards   |

### IP RATING

|      |  |
|------|--|
| IP20 | protected against ingress of solid bodies greater than 12.5mm (finger)   |
| IP33 | protected against ingress of solid bodies greater than 2.5mm<br>protected against sprays of water up to 60 degrees from the vertical (rain)      |
| IP40 | protected against ingress of solid bodies greater than 1mm (wire)<br>no protection against the ingress of moisture                               |
| IP43 | protected against ingress of solid bodies greater than 1mm (wire)<br>protected against sprays of water up to 60 degrees from the vertical (rain) |
| IP44 | protected against ingress of solid bodies greater than 1mm (wire)<br>protected against water splashed from all directions                        |
| IP54 | protected against limited ingress of dust (wet rooms/covered outdoor areas)<br>protected against water splashed from all directions              |
| IP65 | protected against ingress of dust<br>protected against jets of water   |
| IP66 | protected against ingress of dust<br>protected against powerful jets of water or heavy seas  |
| IP67 | protected against ingress of dust<br>protected against immersion of water between 15cm - 1m for 30 minutes                                       |
| IP68 | protected against ingress of dust<br>protected against immersion of water under pressure for long periods  |

### IK RATING

|      |   |
|------|---|
| IK01 | protected against 0.14 joules impact (equivalent to 0.25kg mass dropped from 56mm above the surface)  |
| IK02 | protected against 0.2 joules impact (equivalent to 0.25kg mass dropped from 80mm above the surface)   |
| IK03 | protected against 0.35 joules impact (equivalent to 0.25kg mass dropped from 140mm above the surface) |
| IK04 | protected against 0.5 joules impact (equivalent to 0.25kg mass dropped from 200mm above the surface)  |
| IK05 | protected against 0.7 joules impact (equivalent to 0.25kg mass dropped from 280mm above the surface)  |
| IK06 | protected against 1 joules impact (equivalent to 0.25kg mass dropped from 400mm above the surface)    |
| IK07 | protected against 2 joules impact (equivalent to 0.5kg mass dropped from 400mm above the surface)     |
| IK08 | protected against 5 joules impact (equivalent to 1.7kg mass dropped from 300mm above the surface)     |
| IK09 | protected against 10 joules impact (equivalent to 5.0kg mass dropped from 200mm above the surface)    |
| IK10 | protected against 20 joules impact (equivalent to 5.0kg mass dropped from 400mm above the surface)    |