

| |
|-----------|
| PROJECT |
| TYPE |
| SPECIFIER |
| QUANTITY |
| DATE |

HANGOVER MONOPOINT RECESSED CANOPY SUSPENSION

A300150-

| | | | | | | | |
|-------------|-------------------|--------------------|---------------------|-------------------|-------------------|------------|---------------------|
| base number | Color Temperature | Finishes (Diamond) | Finishes (Triangle) | Finishes (Circle) | Reflector Options | Shine Ring | Cable Color Options |
|-------------|-------------------|--------------------|---------------------|-------------------|-------------------|------------|---------------------|

- To build a product code in our configurator select the specify button on the base model # product page
- To build a manual product code on this datasheet choose from the options listed below in blue font and add the suffix to the base model #

GENERAL

| |
|---|
| Series: Hangover |
| Subseries: Hangover Monopoint Recessed Canopy |
| Brand: Prolicht |
| Division: Architectural |
| Mounting Type: Suspension |
| Mounting Location: Ceiling |
| Subcategory: Pendant |

PHYSICAL

| |
|---|
| Shape: Cylinder |
| Diameter (mm): 40 |
| Diameter (in): 1 9/16 |
| Height (mm): 150 |
| Height (in): 5 7/8 |
| Max. Overall Height (mm): 2150 |
| Max. Overall Height (in): 84 5/8 |
| Min. Recessing Depth (mm): 75 |
| Min. Recessing Depth (in): 2 15/16 |
| Light Distribution: Downlight |
| Weight (kg): 0.389 |
| Weight (lbs): 0.856 |
| Diffuser: Shine Ring 0-6 |
| Fixture Finish: SSR / BKV / CWI / CRY / HAB / UFT / ITA / RUA / FTG / MYG / LOD / PUS / FRO / FUP / KIA / POP / BLS / SPG / MEY / GOH / GUM / CHC / COM / ABZ / JAG / OBR / MOS / ROR |
| Fixture Material: Aluminum |
| Cable Details: 2000mm / 6000mm Cable in White / Black / Orange / Red |
| Cut-out Measurements: 68mm / 2 11/16" |

ELECTRICAL

| |
|--|
| Lamp Type: LED (Zhaga Standard) |
| Input Wattage (W): 10.9 |
| Total Output Wattage (W): 9 |
| Dimming: Non-Dimmable |
| Driver Included: Yes |
| Driver Location: External |
| Driver Type: Constant Current |
| Driver Class: Class 2 |
| Input Voltage (V): 120 |
| Constant Current (MA): 500 |
| Upon Request: Remote: 0-10Vdc dimming / Phase dimming 120Vac |

LED

| |
|---|
| Number of LEDs: 1 |
| Color Temperature (°K): 2700 / 3000 / 4000 |
| Max. Delivered Lumen (lm): 842 |
| CRI: >90 CRI |
| Lamp Life (hrs): 50000 |
| Upon Request: ***3500K available in minimum quantities (larger quantities upon request) |

OPTICAL

| |
|--------------------|
| Reflector: 40 / 50 |
|--------------------|

RATINGS AND CERTIFICATIONS

| |
|--|
| Certified By: Certified for North American Standards |
|--|

© 2024, T 1800-388-3382, F 416-247-9319, www.zaneen.com

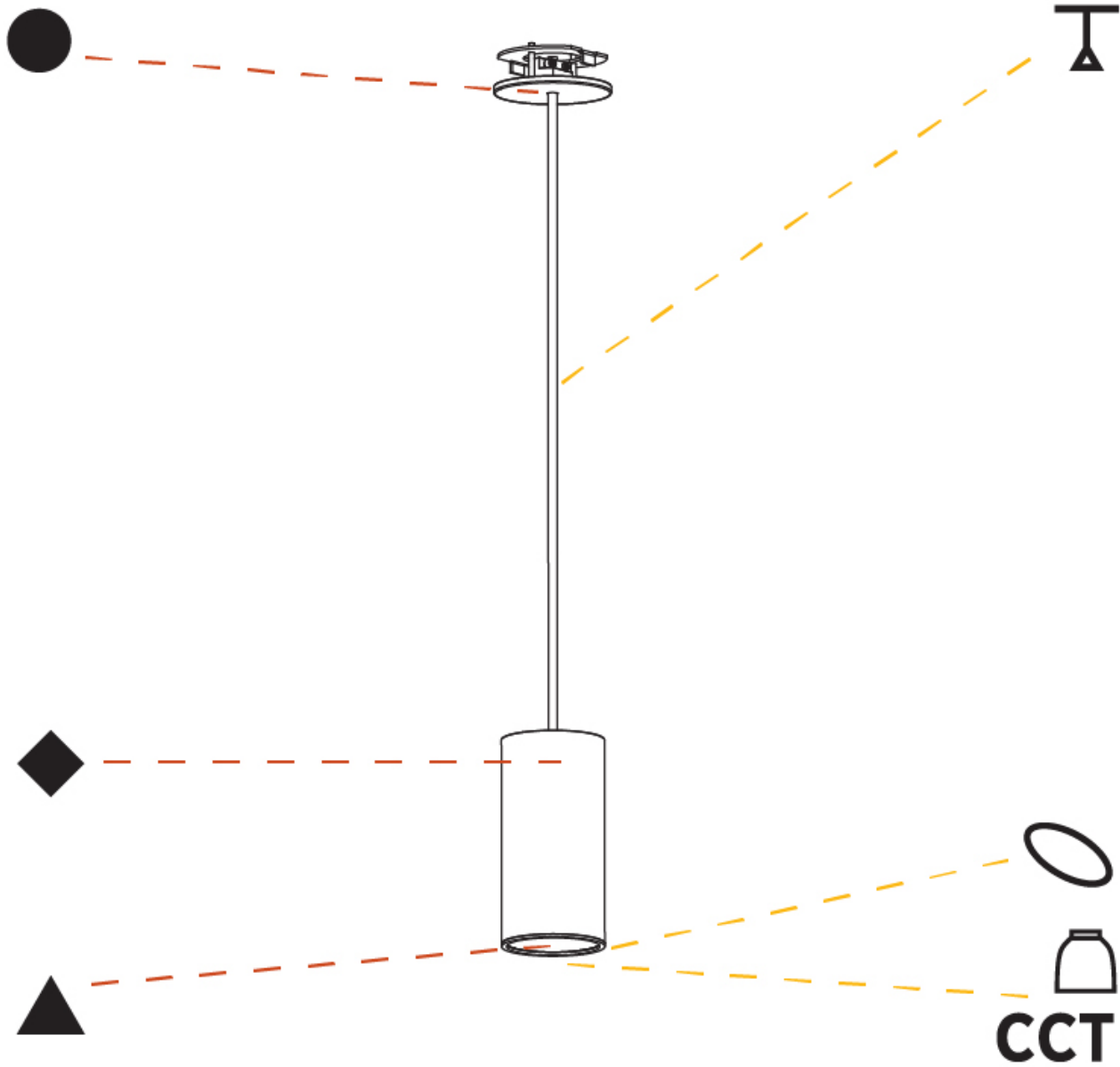
Available for International specifications by adding 'INT' at the end of the existing Model #. For assistance on 'custom' specifications, contact zteam@zaneen.com. In a constant effort to supply the best product, we reserve the right to change specifications or materials without notice. The most recent specification sheets are found at zaneen.com



HANGOVER MONOPOINT RECESSED CANOPY SUSPENSION

A300150-

| |
|-----------|
| PROJECT |
| TYPE |
| SPECIFIER |
| QUANTITY |
| DATE |



A

| |
|-----------|
| PROJECT |
| TYPE |
| SPECIFIER |
| QUANTITY |
| DATE |

HANGOVER MONOPOINT RECESSED CANOPY SUSPENSION

A300151-

| | | | | | | | |
|-------------|-------------------|--------------------|---------------------|-------------------|-------------------|------------|---------------------|
| base number | Color Temperature | Finishes (Diamond) | Finishes (Triangle) | Finishes (Circle) | Reflector Options | Shine Ring | Cable Color Options |
|-------------|-------------------|--------------------|---------------------|-------------------|-------------------|------------|---------------------|

- To build a product code in our configurator select the specify button on the base model # product page
- To build a manual product code on this datasheet choose from the options listed below in blue font and add the suffix to the base model #

GENERAL

| |
|---|
| Series: Hangover |
| Subseries: Hangover Monopoint Recessed Canopy |
| Brand: Prolicht |
| Division: Architectural |
| Mounting Type: Suspension |
| Mounting Location: Ceiling |
| Subcategory: Pendant |

PHYSICAL

| |
|---|
| Shape: Cylinder |
| Diameter (mm): 40 |
| Diameter (in): 1 9/16 |
| Height (mm): 300 |
| Height (in): 11 13/16 |
| Max. Overall Height (mm): 2300 |
| Max. Overall Height (in): 90 9/16 |
| Light Distribution: Downlight |
| Diffuser: Shine Ring 0-6 |
| Fixture Finish: SSR / BKV / CWI / CRY / HAB / UFT / ITA / RUA / FTG / MYG / LOD / PUS / FRO / FUP / KIA / POP / BLS / SPG / MEY / GOH / GUM / CHC / COM / ABZ / JAG / OBR / MOS / ROR |
| Fixture Material: Aluminum |
| Cable Details: 2000mm / 6000mm Cable in White / Black / Orange / Red |
| Cut-out Measurements: 68mm / 2 11/16" |

ELECTRICAL

| |
|--|
| Lamp Type: LED (Zhaga Standard) |
| Input Wattage (W): 10.9 |
| Total Output Wattage (W): 9 |
| Dimming: Non-Dimmable |
| Driver Included: Yes |
| Driver Location: External |
| Driver Type: Constant Current |
| Driver Class: Class 2 |
| Input Voltage (V): 120 |
| Constant Current (mA): 500 |
| Upon Request: Remote: 0-10Vdc dimming / Phase dimming 120Vac |

LED

| |
|---|
| Number of LEDs: 1 |
| Color Temperature (°K): 2700 / 3000 / 4000 |
| Max. Delivered Lumen (lm): 842 |
| CRI: >90 CRI |
| Lamp Life (hrs): 50000 |
| Upon Request: ***3500K available in minimum quantities (larger quantities upon request) |

OPTICAL

| |
|---------------------|
| Reflector°: 40 / 50 |
|---------------------|

RATINGS AND CERTIFICATIONS

| |
|--|
| Certified By: Certified for North American Standards |
| IP rating: IP20 |



HANGOVER MONOPOINT RECESSED CANOPY SUSPENSION

A300151-

| |
|-----------|
| PROJECT |
| TYPE |
| SPECIFIER |
| QUANTITY |
| DATE |



A

| |
|-----------|
| PROJECT |
| TYPE |
| SPECIFIER |
| QUANTITY |
| DATE |

HANGOVER MONOPOINT RECESSED CANOPY SUSPENSION

A300152-

| | | | | | | | |
|-------------|-------------------|--------------------|---------------------|-------------------|-------------------|------------|---------------------|
| base number | Color Temperature | Finishes (Diamond) | Finishes (Triangle) | Finishes (Circle) | Reflector Options | Shine Ring | Cable Color Options |
|-------------|-------------------|--------------------|---------------------|-------------------|-------------------|------------|---------------------|

- To build a product code in our configurator select the specify button on the base model # product page
- To build a manual product code on this datasheet choose from the options listed below in blue font and add the suffix to the base model #

GENERAL

| |
|---|
| Series: Hangover |
| Subseries: Hangover Monopoint Recessed Canopy |
| Brand: Prolicht |
| Division: Architectural |
| Mounting Type: Suspension |
| Mounting Location: Ceiling |
| Subcategory: Pendant |

PHYSICAL

| |
|---|
| Shape: Cylinder |
| Diameter (mm): 40 |
| Diameter (in): 1 9/16 |
| Height (mm): 450 |
| Height (in): 17 11/16 |
| Max. Overall Height (mm): 2450 |
| Max. Overall Height (in): 96 7/16 |
| Light Distribution: Downlight |
| Diffuser: Shine Ring 0-6 |
| Fixture Finish: SSR / BKV / CWI / CRY / HAB / UFT / ITA / RUA / FTG / MYG / LOD / PUS / FRO / FUP / KIA / POP / BLS / SPG / MEY / GOH / GUM / CHC / COM / ABZ / JAG / OBR / MOS / ROR |
| Fixture Material: Aluminum |
| Cable Details: 2000mm / 6000mm Cable in White / Black / Orange / Red |
| Cut-out Measurements: 68mm / 2 11/16" |

ELECTRICAL

| |
|--|
| Lamp Type: LED (Zhaga Standard) |
| Input Wattage (W): 10.9 |
| Total Output Wattage (W): 9 |
| Dimming: Non-Dimmable |
| Driver Included: Yes |
| Driver Location: Integrated |
| Driver Type: Constant Current |
| Driver Class: Class 2 |
| Input Voltage (V): 120 |
| Constant Current (MA): 500 |
| Upon Request: Remote: 0-10Vdc dimming / Phase dimming 120Vac |

LED

| |
|---|
| Number of LEDs: 1 |
| Color Temperature (°K): 2700 / 3000 / 4000 |
| Max. Delivered Lumen (lm): 842 |
| CRI: >90 CRI |
| Lamp Life (hrs): 50000 |
| Upon Request: ***3500K available in minimum quantities (larger quantities upon request) |

OPTICAL

| |
|---------------------|
| Reflector°: 40 / 50 |
|---------------------|

RATINGS AND CERTIFICATIONS

| |
|--|
| Certified By: Certified for North American Standards |
| IP rating: IP20 |



HANGOVER MONOPOINT RECESSED CANOPY SUSPENSION

A300152-

| |
|-----------|
| PROJECT |
| TYPE |
| SPECIFIER |
| QUANTITY |
| DATE |



A

HANGOVER MONOPOINT SURFACE CANOPY SUSPENSION

| |
|-----------|
| PROJECT |
| TYPE |
| SPECIFIER |
| QUANTITY |
| DATE |

A300153-

| | | | | | | | |
|-------------|-------------------|--------------------|---------------------|-------------------|-------------------|------------|---------------|
| base number | Color Temperature | Finishes (Diamond) | Finishes (Triangle) | Finishes (Circle) | Reflector Options | Shine Ring | Cable Options |
|-------------|-------------------|--------------------|---------------------|-------------------|-------------------|------------|---------------|

- To build a product code in our configurator select the specify button on the base model # product page
- To build a manual product code on this datasheet choose from the options listed below in blue font and add the suffix to the base model #

GENERAL

| |
|--|
| Series: Hangover |
| Subseries: Hangover Monopoint Surface Canopy |
| Brand: Prolicht |
| Division: Architectural |
| Mounting Type: Suspension |
| Mounting Location: Ceiling |
| Subcategory: Pendant |

PHYSICAL

| |
|---|
| Shape: Cylinder |
| Diameter (mm): 40 |
| Diameter (in): 1 9/16 |
| Height (mm): 150 |
| Height (in): 5 7/8 |
| Max. Overall Height (mm): 2150 |
| Max. Overall Height (in): 84 5/8 |
| Light Distribution: Downlight |
| Weight (kg): 0.75 |
| Weight (lbs): 1.65 |
| Diffuser: Shine Ring 0-6 |
| Fixture Finish: SSR / BKV / CWI / CRY / HAB / UFT / ITA / RUA / FTG / MYG / LOD / PUS / FRO / FUP / KIA / POP / BLS / SPG / MEY / GOH / GUM / CHC / COM / ABZ / JAG / OBR / MOS / ROR |
| Fixture Material: Aluminum |
| Cable Details: 2000mm / 6000mm Cable in White / Black / Orange / Red |

ELECTRICAL

| |
|--|
| Lamp Type: LED (Zhaga Standard) |
| Input Wattage (W): 10.9 |
| Total Output Wattage (W): 9 |
| Dimming: Non-Dimmable |
| Driver Included: Yes |
| Driver Location: Integrated |
| Driver Type: Constant Current |
| Driver Class: Class 2 |
| Input Voltage (V): 120 |
| Constant Current (MA): 500 |
| Upon Request: Remote: 0-10Vdc dimming / Phase dimming 120Vac |

LED

| |
|--|
| Number of LEDs: 1 |
| Color Temperature (°K): 2700 / 3000 / 4000 |
| Max. Delivered Lumen (lm): 842 |
| CRI: >90 CRI |
| Lamp Life (hrs): 50000 |

OPTICAL

| |
|--------------------|
| Reflector: 40 / 50 |
|--------------------|

RATINGS AND CERTIFICATIONS

| |
|--|
| Certified By: Certified for North American Standards |
| IP rating: IP20 |



HANGOVER MONOPOINT SURFACE CANOPY SUSPENSION

A300153-

| |
|-----------|
| PROJECT |
| TYPE |
| SPECIFIER |
| QUANTITY |
| DATE |



A

HANGOVER MONOPOINT SURFACE CANOPY SUSPENSION

| |
|-----------|
| PROJECT |
| TYPE |
| SPECIFIER |
| QUANTITY |
| DATE |

A300154-

| | | | | | | | |
|-------------|-------------------|--------------------|---------------------|-------------------|-------------------|------------|---------------|
| base number | Color Temperature | Finishes (Diamond) | Finishes (Triangle) | Finishes (Circle) | Reflector Options | Shine Ring | Cable Options |
|-------------|-------------------|--------------------|---------------------|-------------------|-------------------|------------|---------------|

- To build a product code in our configurator select the specify button on the base model # product page
- To build a manual product code on this datasheet choose from the options listed below in blue font and add the suffix to the base model #

GENERAL

| |
|--|
| Series: Hangover |
| Subseries: Hangover Monopoint Surface Canopy |
| Brand: Prolicht |
| Division: Architectural |
| Mounting Type: Suspension |
| Mounting Location: Ceiling |
| Subcategory: Pendant |

PHYSICAL

| |
|---|
| Shape: Cylinder |
| Diameter (mm): 40 |
| Diameter (in): 1 9/16 |
| Height (mm): 300 |
| Height (in): 11 13/16 |
| Max. Overall Height (mm): 2300 |
| Max. Overall Height (in): 90 9/16 |
| Light Distribution: Downlight |
| Diffuser: Shine Ring 0-6 |
| Fixture Finish: SSR / BKV / CWI / CRY / HAB / UFT / ITA / RUA / FTG / MYG / LOD / PUS / FRO / FUP / KIA / POP / BLS / SPG / MEY / GOH / GUM / CHC / COM / ABZ / JAG / OBR / MOS / ROR |
| Fixture Material: Aluminum |
| Cable Details: 2000mm / 6000mmm Cable in White / Black / Orange / Red |

ELECTRICAL

| |
|--|
| Lamp Type: LED (Zhaga Standard) |
| Input Wattage (W): 10.9 |
| Total Output Wattage (W): 9 |
| Dimming: Non-Dimmable |
| Driver Included: Yes |
| Driver Location: Integrated |
| Driver Type: Constant Current |
| Driver Class: Class 2 |
| Input Voltage (V): 120 |
| Constant Current (MA): 500 |
| Upon Request: Remote: 0-10Vdc dimming / Phase dimming 120Vac |

LED

| |
|---|
| Number of LEDs: 1 |
| Color Temperature (°K): 2700 / 3000 / 4000 |
| Max. Delivered Lumen (lm): 842 |
| CRI: >90 CRI |
| Efficiency (%): 86 |
| Lamp Life (hrs): 50000 |
| Upon Request: ***3500K available in minimum quantities (larger quantities upon request) |

OPTICAL

| |
|---------------------|
| Reflector°: 40 / 50 |
|---------------------|

RATINGS AND CERTIFICATIONS

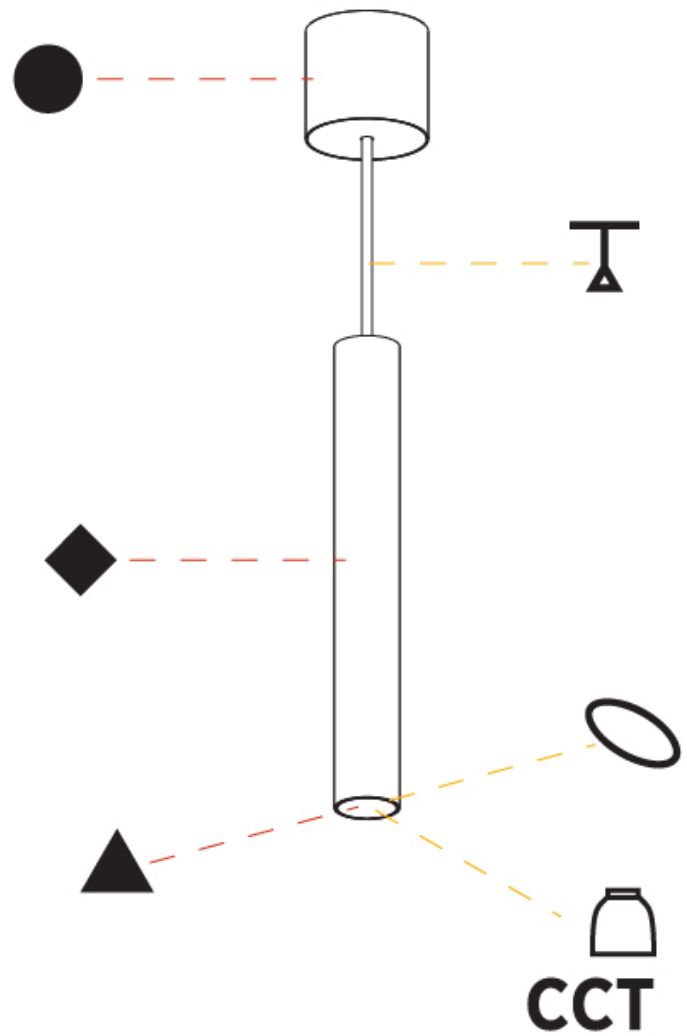
| |
|--|
| Certified By: Certified for North American Standards |
| IP rating: IP20 |



| | |
|-----------|-------|
| PROJECT | _____ |
| TYPE | _____ |
| SPECIFIER | _____ |
| QUANTITY | _____ |
| DATE | _____ |

HANGOVER MONOPOINT SURFACE CANOPY SUSPENSION

A300154-



A

| |
|-----------|
| PROJECT |
| TYPE |
| SPECIFIER |
| QUANTITY |
| DATE |

HANGOVER MONOPOINT SURFACE CANOPY SUSPENSION

A300155-

| | | | | | | | |
|-------------|-------------------|--------------------|---------------------|-------------------|-------------------|------------|---------------|
| base number | Color Temperature | Finishes (Diamond) | Finishes (Triangle) | Finishes (Circle) | Reflector Options | Shine Ring | Cable Options |
|-------------|-------------------|--------------------|---------------------|-------------------|-------------------|------------|---------------|

- To build a product code in our configurator select the specify button on the base model # product page
- To build a manual product code on this datasheet choose from the options listed below in blue font and add the suffix to the base model #

GENERAL

| |
|--|
| Series: Hangover |
| Subseries: Hangover Monopoint Surface Canopy |
| Brand: Prolicht |
| Division: Architectural |
| Mounting Type: Suspension |
| Mounting Location: Ceiling |
| Subcategory: Pendant |

PHYSICAL

| |
|---|
| Shape: Cylinder |
| Diameter (mm): 40 |
| Diameter (in): 1 9/16 |
| Height (mm): 450 |
| Height (in): 17 13/16 |
| Max. Overall Height (mm): 2450 |
| Max. Overall Height (in): 96 7/16 |
| Light Distribution: Downlight |
| Diffuser: Shine Ring 0-6 |
| Fixture Finish: SSR / BKV / CWI / CRY / HAB / UFT / ITA / RUA / FTG / MYG / LOD / PUS / FRO / FUP / KIA / POP / BLS / SPG / MEY / GOH / GUM / CHC / COM / ABZ / JAG / OBR / MOS / ROR |
| Fixture Material: Aluminum |
| Cable Details: 2000mm / 6000mm Cable in White / Black / Orange / Red |

ELECTRICAL

| |
|--|
| Lamp Type: LED (Zhaga Standard) |
| Input Wattage (W): 10.9 |
| Total Output Wattage (W): 9 |
| Dimming: Non-Dimmable |
| Driver Included: Yes |
| Driver Location: Integrated |
| Driver Type: Constant Current |
| Driver Class: Class 2 |
| Housing: ENCP3 |
| Input Voltage (V): 120 |
| Constant Current (mA): 500 |
| Upon Request: Remote: 0-10Vdc dimming / Phase dimming 120Vac |

LED

| |
|---|
| Number of LEDs: 1 |
| Color Temperature (°K): 2700 / 3000 / 4000 |
| Max. Delivered Lumen (lm): 842 |
| CRI: >90 CRI |
| Efficiency (%): 86 |
| Lamp Life (hrs): 50000 |
| Upon Request: ***3500K available in minimum quantities (larger quantities upon request) |

OPTICAL

| |
|--------------------|
| Reflector: 40 / 50 |
|--------------------|

RATINGS AND CERTIFICATIONS

| |
|--|
| Certified By: Certified for North American Standards |
| IP rating: IP20 |



HANGOVER MONOPOINT SURFACE CANOPY SUSPENSION

A300155-

| |
|-----------|
| PROJECT |
| TYPE |
| SPECIFIER |
| QUANTITY |
| DATE |



A

| |
|-----------|
| PROJECT |
| TYPE |
| SPECIFIER |
| QUANTITY |
| DATE |

HANGOVER MONOPOINT SURFACE CANOPY SUSPENSION

A300166-

| | | | | | | | |
|-------------|-------------------|--------------------|---------------------|-------------------|-------------------|------------|---------------|
| base number | Color Temperature | Finishes (Diamond) | Finishes (Triangle) | Finishes (Circle) | Reflector Options | Shine Ring | Cable Options |
|-------------|-------------------|--------------------|---------------------|-------------------|-------------------|------------|---------------|

- To build a product code in our configurator select the specify button on the base model # product page
- To build a manual product code on this datasheet choose from the options listed below in blue font and add the suffix to the base model #

GENERAL

| |
|--|
| Series: Hangover |
| Subseries: Hangover Monopoint Surface Canopy |
| Brand: Prolicht |
| Division: Architectural |
| Mounting Type: Suspension |
| Mounting Location: Ceiling |
| Subcategory: Pendant |

PHYSICAL

| |
|---|
| Shape: Cylinder |
| Diameter (mm): 75 |
| Diameter (in): 2 ¹⁵ / ₁₆ |
| Height (mm): 300 |
| Height (in): 11 ¹³ / ₁₆ |
| Max. Overall Height (mm): 2300 |
| Max. Overall Height (in): 90 ⁹ / ₁₆ |
| Light Distribution: Downlight |
| Diffuser: Shine Ring 0-6 |
| Fixture Finish: SSR / BKV / CWI / CRY / HAB / UFT / ITA / RUA / FTG / MYG / LOD / PUS / FRO / FUP / KIA / POP / BLS / SPG / MEY / GOH / GUM / CHC / COM / ABZ / JAG / OBR / MOS / ROR |
| Fixture Material: Aluminum |
| Cable Details: 2000mm / 6000mm Cable in White / Black / Orange / Red |

ELECTRICAL

| |
|--|
| Lamp Type: LED (Zhaga Standard) |
| Input Wattage (W): 10.9 |
| Total Output Wattage (W): 9 |
| Dimming: Non-Dimmable |
| Driver Included: Yes |
| Driver Location: Integrated |
| Driver Type: Constant Current |
| Driver Class: Class 2 |
| Housing: ENCP3 |
| Input Voltage (V): 120 |
| Constant Current (mA): 500 |
| Upon Request: Remote: 0-10Vdc dimming / Phase dimming 120Vac |

LED

| |
|--|
| Number of LEDs: 1 |
| Color Temperature (°K): 2700 / 3000 / 4000 |
| Max. Delivered Lumen (lm): 923 |
| CRI: >90 CRI |
| Efficiency (%): 86 |
| Lamp Life (hrs): 50000 |

OPTICAL

| |
|-------------------------|
| Reflector: 18 / 36 / 52 |
|-------------------------|

RATINGS AND CERTIFICATIONS

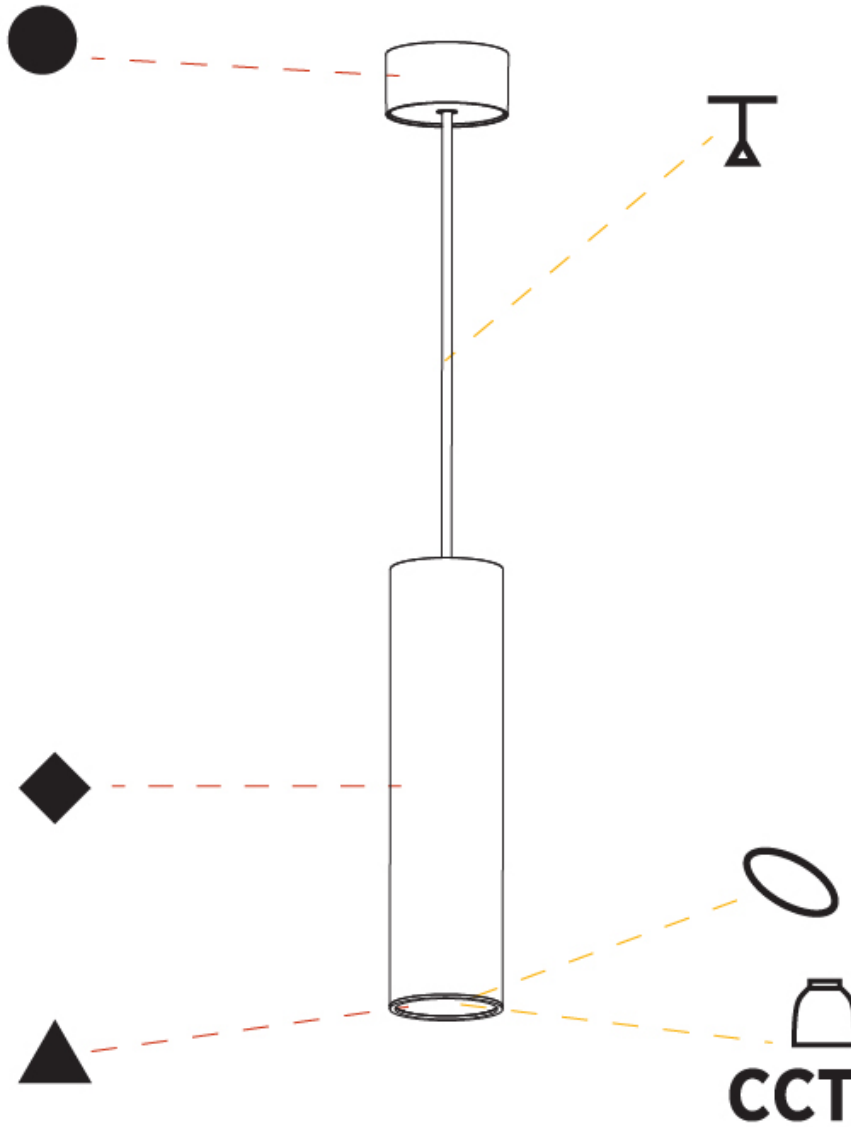
| |
|--|
| Certified By: Certified for North American Standards |
| IP rating: IP20 |



HANGOVER MONOPOINT SURFACE CANOPY SUSPENSION

A300166-

| |
|-----------|
| PROJECT |
| TYPE |
| SPECIFIER |
| QUANTITY |
| DATE |



| |
|-----------|
| PROJECT |
| TYPE |
| SPECIFIER |
| QUANTITY |
| DATE |

HANGOVER MONOPOINT SURFACE CANOPY SUSPENSION

A300169-

| | | | | | | | |
|-------------|-------------------|--------------------|---------------------|-------------------|-------------------|------------|---------------|
| base number | Color Temperature | Finishes (Diamond) | Finishes (Triangle) | Finishes (Circle) | Reflector Options | Shine Ring | Cable Options |
|-------------|-------------------|--------------------|---------------------|-------------------|-------------------|------------|---------------|

- To build a product code in our configurator select the specify button on the base model # product page
- To build a manual product code on this datasheet choose from the options listed below in blue font and add the suffix to the base model #

GENERAL

| |
|--|
| Series: Hangover |
| Subseries: Hangover Monopoint Surface Canopy |
| Brand: Prolicht |
| Division: Architectural |
| Mounting Type: Suspension |
| Mounting Location: Ceiling |
| Subcategory: Pendant |

PHYSICAL

| |
|---|
| Shape: Cylinder |
| Diameter (mm): 75 |
| Diameter (in): 2 ¹⁵ / ₁₆ |
| Height (mm): 450 |
| Height (in): 17 ¹¹ / ₁₆ |
| Max. Overall Height (mm): 2450 |
| Max. Overall Height (in): 96 ⁷ / ₁₆ |
| Light Distribution: Downlight |
| Diffuser: Shine Ring 0-6 |
| Fixture Finish: SSR / BKV / CWI / CRY / HAB / UFT / ITA / RUA / FTG / MYG / LOD / PUS / FRO / FUP / KIA / POP / BLS / SPG / MEY / GOH / GUM / CHC / COM / ABZ / JAG / OBR / MOS / ROR |
| Fixture Material: Aluminum |
| Cable Details: 2000mm / 6000mmm Cable in White / Black / Orange / Red |

ELECTRICAL

| |
|--|
| Lamp Type: LED (Zhaga Standard) |
| Input Wattage (W): 20 |
| Total Output Wattage (W): 18.9 |
| Dimming: Non-Dimmable |
| Driver Included: Yes |
| Driver Location: Integrated |
| Driver Type: Constant Current |
| Driver Class: Class 2 |
| Housing: ENCP3 |
| Input Voltage (V): 120 |
| Constant Current (MA): 500 |
| Upon Request: Remote: 0-10Vdc dimming / Phase dimming 120Vac |

LED

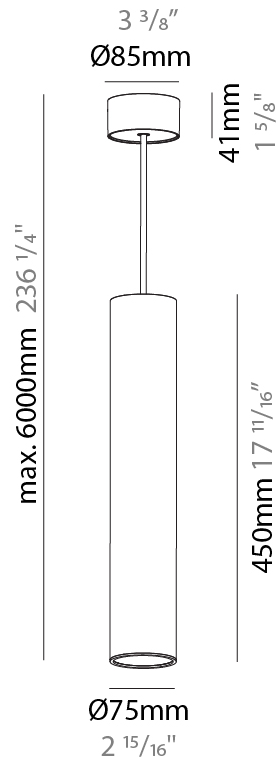
| |
|--|
| Number of LEDs: 1 |
| Color Temperature (°K): 2700 / 3000 / 4000 |
| Max. Delivered Lumen (lm): 1680 |
| CRI: >90 CRI |
| Efficiency (%): 86 |
| Lamp Life (hrs): 50000 |

OPTICAL

| |
|-------------------------|
| Reflector: 18 / 36 / 52 |
|-------------------------|

RATINGS AND CERTIFICATIONS

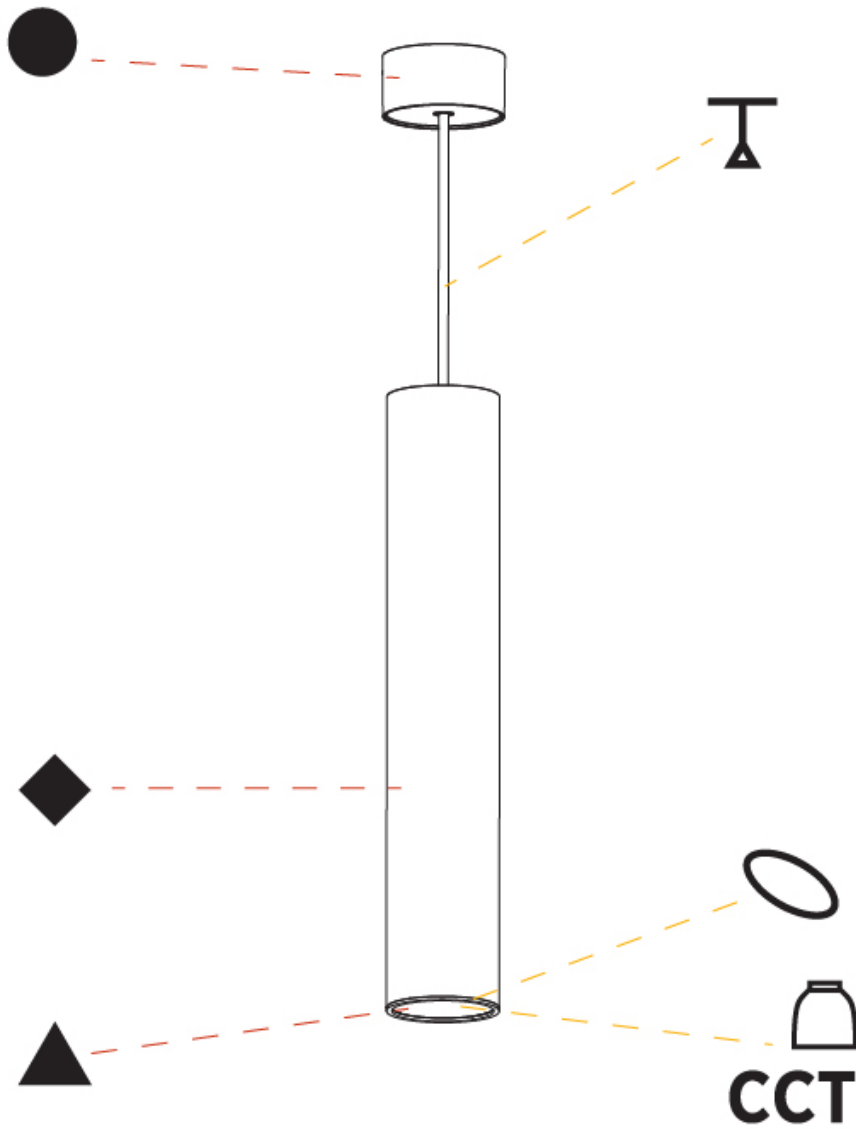
| |
|--|
| Certified By: Certified for North American Standards |
| IP rating: IP20 |



HANGOVER MONOPOINT SURFACE CANOPY SUSPENSION

A300169-

| | |
|-----------|-------|
| PROJECT | _____ |
| TYPE | _____ |
| SPECIFIER | _____ |
| QUANTITY | _____ |
| DATE | _____ |



A

HANGOVER

COLOR FINISH CHART

Fixture Finish

Sparkling Silver - 01 (SSR)



Black Velvet - 02 (BKV)



Crystal White - 03 (CWI)



Creamy - 04 (CRY)



Hampton Bay - 05 (HAB)



Urban Forest - 07 (UFT)



In the Army - 08 (ITA)



Rusty Angel - 09 (RUA)



Fade to Gray - 12 (FTG)



Mysterious Gray - 13 (MYG)



Lost Dream - 15 (LOD)



Purple Sky - 16 (PUS)



Fresh Oh - 17 (FRO)



Funky P. - 18 (FUP)



Kissing Aphrodite - 19 (KIA)



Poseidon's Paradise - 20 (POP)



Blue Sky - 21 (BLS)



Spring Green - 22 (SPG)



Mellow Yellow - 23 (MEY)



Golden Heart - 24 (GOH)



Gun Metal - 25 (GUM)



Champagne Cream - 26 (CHC)



Copper Mine - 27 (COM)



Ancient Bronze - 28 (ABZ)



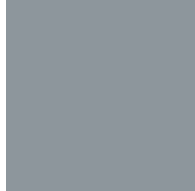
Jazz Gold - 29 (JAG)



Olive Breeze - 30 (OBR)



Moonlight Silver - 31 (MOS)



Rosewood Red - 32 (ROR)



Digital: Not all screens are calibrated the same, and therefore, colors will appear differently between screens.

Physical: When texture is involved, there will be variations in color, character and tone within a product series and between product families.

Gun Metal: No Gun Metal finish is alike. It combines a mixture of transparent and black color particles which ensures a highly individual effect and no luminaire being identical.

Champagne Cream, Copper Mine, Ancient Bronze + Jazz Gold: These finishes have slight fading from specific powder coating production. Each luminaire will slightly vary.



| | |
|-----------|--|
| PROJECT | |
| TYPE | |
| SPECIFIER | |
| QUANTITY | |
| DATE | |

LEGEND

| | | |
|---|--|--|
| floor-mounted | pivotal | special LED (upon request) RGB, RGBW, tunable, gold+, meat+, art+, fashion+ |
| wall and ceiling: recessed and surface mounted | rotating | warm dim / natural dimming LED |
| ceiling-mounted and wall-mounted | illuminate tilted | rechargeable battery powered |
| wall-mounted | color of suspension cable | fixture with natural vivid LED (upon request) |
| omni-directional light distribution | length of suspension cable | color rendering index |
| direct light distribution | reflector degree selection | color temperature |
| direct/indirect light distribution | super spot | lumen (luminous flux) |
| indirect light distribution | lens | efficacy (lumens per watt) |
| asymmetric light distribution | lens pack | Unified Glare Rating (UGR) range from 5-40 |
| aura light distribution | shine ring | marine grade (AISI 316 stainless steel) |
| round wall or ceiling cut-out | integrated shine ring with diffuser | walk on |
| square wall or ceiling cut-out | free individual colors 01-29 | drive on |
| the supplied jig specifies the cutout dimensions | individual colors: 00 (free of charge), 01-25 (extra charge) | Dark Sky Compliance |
| minimum distance (meters) lamp - object | luminaire part to be colored (F1) | Americans with Disabilities Act (less than 4" off the wall located between 27"-84" from floor) |
| recessed depth | luminaire part to be colored (F2) | lamp protected against explosion |
| ceiling thickness in mm | luminaire part to be colored (F3) | blown glass using traditional methods by master glass blower |
| ceiling thickness selection | luminaire part to be colored (F4) | acoustic material |
| dimmable DP (phase), DV (0-10V), DD (dali), DS (step-dim) | luminaire part to be colored (F5) | protection class I, protection insulation |
| included or excluded LED driver/transformer/control gear | color of 3-circuit adaptor | protection class II, protection insulation |
| separately switchable | indirect diffuser | ETL Certified to UL and CSA Standards |
| sensor | direct diffuser | UL Certified to UL and CSA Standards |
| remote control | ball-proof (upon request) | CSA Certified to UL and CSA Standards |
| available upon request | accessory | Certified for North American Standards |

IP RATING

| | |
|------|--|
| IP20 | protected against ingress of solid bodies greater than 12.5mm (finger) |
| IP33 | protected against ingress of solid bodies greater than 2.5mm protected against sprays of water up to 60 degrees from the vertical (rain) |
| IP40 | protected against ingress of solid bodies greater than 1mm (wire) no protection against the ingress of moisture |
| IP43 | protected against ingress of solid bodies greater than 1mm (wire) protected against sprays of water up to 60 degrees from the vertical (rain) |
| IP44 | protected against ingress of solid bodies greater than 1mm (wire) protected against water splashed from all directions |
| IP54 | protected against limited ingress of dust (wet rooms/covered outdoor areas) protected against water splashed from all directions |
| IP65 | protected against ingress of dust protected against jets of water |
| IP66 | protected against ingress of dust protected against powerful jets of water or heavy seas |
| IP67 | protected against ingress of dust protected against immersion of water between 15cm - 1m for 30 minutes |
| IP68 | protected against ingress of dust protected against immersion of water under pressure for long periods |

IK RATING

| | |
|------|---|
| IK01 | protected against 0.14 joules impact (equivalent to 0.25kg mass dropped from 56mm above the surface) |
| IK02 | protected against 0.2 joules impact (equivalent to 0.25kg mass dropped from 80mm above the surface) |
| IK03 | protected against 0.35 joules impact (equivalent to 0.25kg mass dropped from 140mm above the surface) |
| IK04 | protected against 0.5 joules impact (equivalent to 0.25kg mass dropped from 200mm above the surface) |
| IK05 | protected against 0.7 joules impact (equivalent to 0.25kg mass dropped from 280mm above the surface) |
| IK06 | protected against 1 joules impact (equivalent to 0.25kg mass dropped from 400mm above the surface) |
| IK07 | protected against 2 joules impact (equivalent to 0.5kg mass dropped from 400mm above the surface) |
| IK08 | protected against 5 joules impact (equivalent to 1.7kg mass dropped from 300mm above the surface) |
| IK09 | protected against 10 joules impact (equivalent to 5.0kg mass dropped from 200mm above the surface) |
| IK10 | protected against 20 joules impact (equivalent to 5.0kg mass dropped from 400mm above the surface) |