

|           |
|-----------|
| PROJECT   |
| TYPE      |
| SPECIFIER |
| QUANTITY  |
| DATE      |

## LUMIX SURFACE

### E15F021-

base number      Color      Beam Angle  
 Temperature      Options

- To build a product code in our configurator select the specify button on the base model # product page
- To build a manual product code on this datasheet choose from the options listed below in blue font and add the suffix to the base model #

#### GENERAL

Series: LumiX  
 Partner: Diamante  
 Division: Exterior  
 Installation: Surface  
 Product Type: Flood  
 Mounting Location: Above Ground  
 Light Distribution: Adjustable / Direct

#### PHYSICAL

Shape: Rectangle  
 Length (mm): 244  
 Length (in): 9 <sup>5</sup>/<sub>8</sub>  
 Width (mm): 82  
 Width (in): 3 <sup>1</sup>/<sub>4</sub>  
 Height (mm): 272  
 Height (in): 10 <sup>11</sup>/<sub>16</sub>  
 Weight (kg): 3  
 Diffuser: Extra-Clear Tempered Sodium-Calcium Glass  
 Fixture Finish: ANB  
 Fixture Material: Aluminum Alloy

#### ELECTRICAL

Lamp Type: LED  
 Input Wattage (W): 50  
 Dimming: Non-Dimmable  
 Driver Included: Yes  
 Driver Location: Integrated  
 Driver Class: Class 2  
 Input Voltage (V): 120 - 277

#### LED

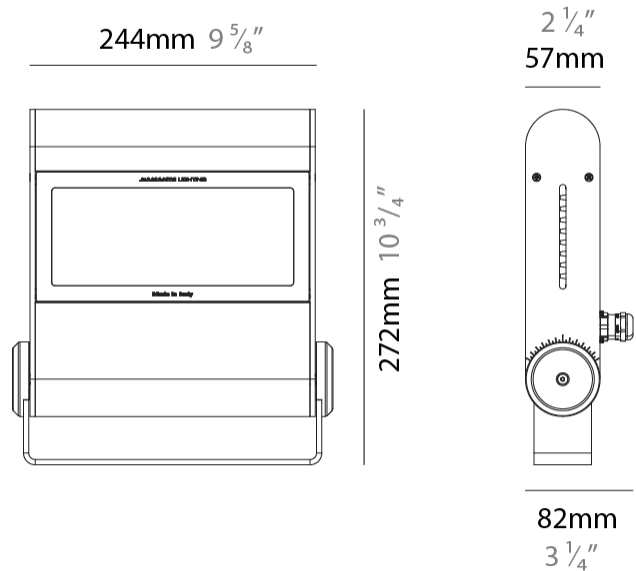
Number of LEDs: 24  
 Color Temperature (°K): 2200 / 3000 / 4000 / 5700  
 Max. Delivered Lumen (lm): Max 5045  
 Nominal Lumen (lm): Max 5990  
 CRI: >80 CRI  
 Lamp Life (hrs): 100000

#### OPTICAL

Beam Angle: 120

#### RATINGS AND CERTIFICATIONS

Certified By: Certified for North American Standards  
 IP rating: IP66  
 IK Rating: IK08



|           |
|-----------|
| PROJECT   |
| TYPE      |
| SPECIFIER |
| QUANTITY  |
| DATE      |

## LUMIX SURFACE

### E15F022-

base number      Beam Angle  
Options

- To build a product code in our configurator select the specify button on the base model # product page
- To build a manual product code on this datasheet choose from the options listed below in blue font and add the suffix to the base model #

#### GENERAL

Series: LumiX  
 Partner: Diamante  
 Division: Exterior  
 Installation: Surface  
 Product Type: Flood  
 Mounting Location: Above Ground  
 Light Distribution: Adjustable / Direct

#### PHYSICAL

Shape: Rectangle  
 Length (mm): 244  
 Length (in): 9 <sup>5</sup>/<sub>8</sub>  
 Width (mm): 82  
 Width (in): 3 <sup>1</sup>/<sub>4</sub>  
 Height (mm): 272  
 Height (in): 10 <sup>3</sup>/<sub>4</sub>  
 Weight (kg): 3  
 Weight (lbs): 6.6  
 Diffuser: Extra-Clear Tempered Sodium-Calcium Glass  
 Fixture Finish: ANB  
 Fixture Material: Aluminum Alloy

#### ELECTRICAL

Lamp Type: LED  
 Input Wattage (W): 50  
 Dimming: DMX  
 Driver Included: No  
 Driver Location: Remote  
 Driver Class: Class 2  
 Input Voltage (V): 120 - 277

#### LED

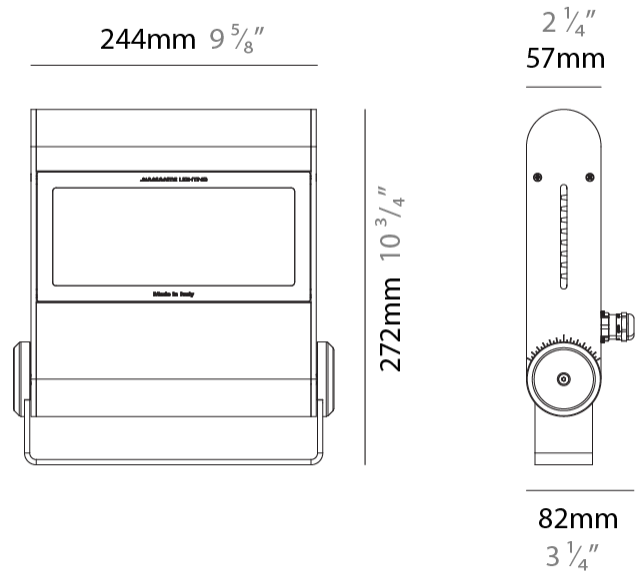
Number of LEDs: 24  
 Color Temperature (°K): RGBW  
 Max. Delivered Lumen (lm): 3285  
 Nominal Lumen (lm): 4110  
 CRI: >80 CRI  
 Lamp Life (hrs): 100000

#### OPTICAL

Beam Angle: 100

#### RATINGS AND CERTIFICATIONS

Certified By: Certified for North American Standards  
 IP rating: IP66  
 IK Rating: IK08



|           |  |
|-----------|--|
| PROJECT   |  |
| TYPE      |  |
| SPECIFIER |  |
| QUANTITY  |  |
| DATE      |  |

## LUMIX SURFACE

### E15F023-

base number      Color      Beam Angle  
 Temperature      Options

- To build a product code in our configurator select the specify button on the base model # product page
- To build a manual product code on this datasheet choose from the options listed below in blue font and add the suffix to the base model #

#### GENERAL

Series: LumiX  
 Partner: Diamante  
 Division: Exterior  
 Installation: Surface  
 Product Type: Flood  
 Mounting Location: Above Ground  
 Light Distribution: Adjustable / Direct

#### PHYSICAL

Shape: Rectangle  
 Length (mm): 433  
 Length (in): 17 1/8  
 Width (mm): 82  
 Width (in): 3 1/4  
 Height (mm): 272  
 Height (in): 10 3/4  
 Weight (kg): 5  
 Weight (lbs): 11  
 Diffuser: Extra-Clear Tempered Sodium-Calcium Glass  
 Fixture Finish: ANB  
 Fixture Material: Aluminum Alloy

#### ELECTRICAL

Lamp Type: LED  
 Input Wattage (W): 100  
 Dimming: Non-Dimmable  
 Driver Included: Yes  
 Driver Location: Integrated  
 Driver Class: Class 2  
 Input Voltage (V): 120 - 277

#### LED

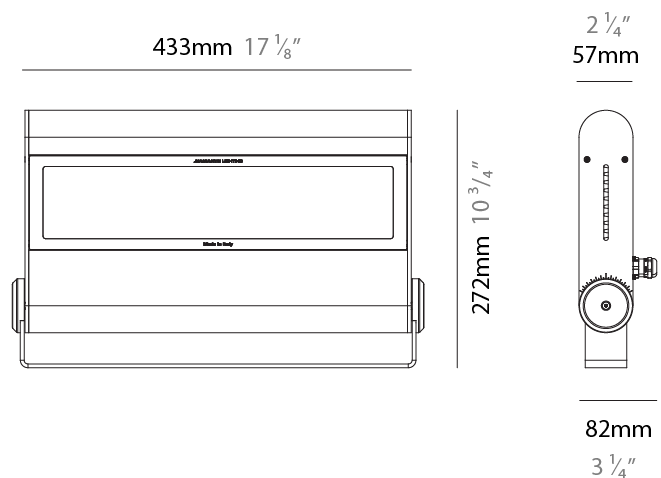
Number of LEDs: 24  
 Color Temperature (°K): 2200 / 3000 / 4000 / 5700  
 Max. Delivered Lumen (lm): Max 10090  
 Nominal Lumen (lm): Max 11975  
 CRI: >80 CRI  
 Lamp Life (hrs): 100000

#### OPTICAL

Beam Angle: 100

#### RATINGS AND CERTIFICATIONS

Certified By: Certified for North American Standards  
 IP rating: IP66  
 IK Rating: IK08



|           |
|-----------|
| PROJECT   |
| TYPE      |
| SPECIFIER |
| QUANTITY  |
| DATE      |

## LUMIX SURFACE

### E15F024-

base number Beam Angle  
Options

- To build a product code in our configurator select the specify button on the base model # product page
- To build a manual product code on this datasheet choose from the options listed below in blue font and add the suffix to the base model #

#### GENERAL

Series: LumiX  
 Partner: Diamante  
 Division: Exterior  
 Installation: Surface  
 Product Type: Flood  
 Mounting Location: Above Ground  
 Light Distribution: Adjustable / Indirect

#### PHYSICAL

Shape: Rectangle  
 Length (mm): 433  
 Length (in): 17 1/8  
 Width (mm): 82  
 Width (in): 3 1/4  
 Height (mm): 272  
 Height (in): 10 3/4  
 Weight (kg): 5  
 Weight (lbs): 11  
 Diffuser: Extra-Clear Tempered Sodium-Calcium Glass  
 Fixture Finish: ANB  
 Fixture Material: Aluminum Alloy

#### ELECTRICAL

Lamp Type: LED  
 Input Wattage (W): 100  
 Dimming: DMX  
 Driver Included: No  
 Driver Location: Remote  
 Driver Class: Class 2  
 Input Voltage (V): 120 - 277

#### LED

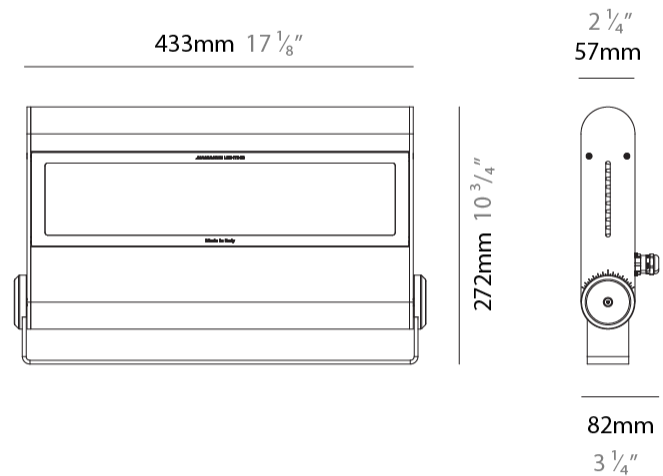
Number of LEDs: 24  
 Color Temperature (°K): RGBW  
 Max. Delivered Lumen (lm): 6570  
 Nominal Lumen (lm): 8215  
 CRI: >80 CRI  
 Lamp Life (hrs): 100000

#### OPTICAL

Beam Angle: 100

#### RATINGS AND CERTIFICATIONS

Certified By: Certified for North American Standards  
 IP rating: IP66  
 IK Rating: IK08



|           |
|-----------|
| PROJECT   |
| TYPE      |
| SPECIFIER |
| QUANTITY  |
| DATE      |

## LUMIX SURFACE

### E15F025-

base number      Color      Beam Angle  
 Temperature      Options

- To build a product code in our configurator select the specify button on the base model # product page
- To build a manual product code on this datasheet choose from the options listed below in blue font and add the suffix to the base model #

#### GENERAL

Series: LumiX  
 Partner: Diamante  
 Division: Exterior  
 Installation: Surface  
 Product Type: Flood  
 Mounting Location: Above Ground  
 Light Distribution: Adjustable / Indirect

#### PHYSICAL

Shape: Rectangle  
 Length (mm): 614  
 Length (in): 24 1/4  
 Width (mm): 82  
 Width (in): 3 1/4  
 Height (mm): 272  
 Height (in): 10 3/4  
 Weight (kg): 7  
 Diffuser: Extra-Clear Tempered Sodium-Calcium Glass  
 Fixture Finish: ANB  
 Fixture Material: Aluminum Alloy

#### ELECTRICAL

Lamp Type: LED  
 Input Wattage (W): 150  
 Dimming: Non-Dimmable  
 Driver Included: Yes  
 Driver Location: Integrated  
 Driver Class: Class 2  
 Input Voltage (V): 120 - 277

#### LED

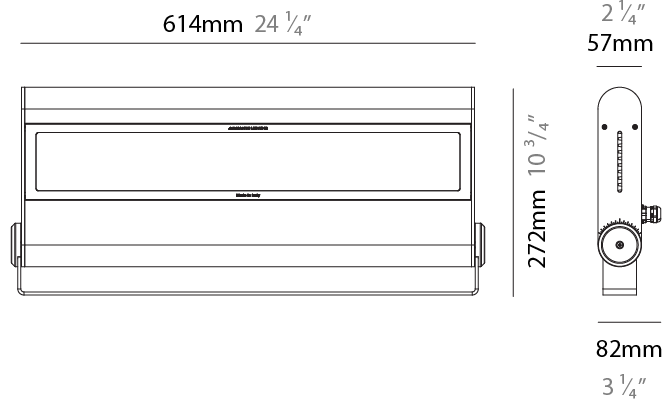
Number of LEDs: 72  
 Color Temperature (°K): 2200 / 3000 / 4000 / 5700  
 Max. Delivered Lumen (lm): Max 9855  
 Nominal Lumen (lm): Max 12325  
 CRI: >80 CRI  
 Lamp Life (hrs): 100000

#### OPTICAL

Beam Angle: 5,8,35,50,45x8,8x45,75x40,40x75,100,ASY

#### RATINGS AND CERTIFICATIONS

Certified By: Certified for North American Standards  
 IP rating: IP66  
 IK Rating: IK08



|           |
|-----------|
| PROJECT   |
| TYPE      |
| SPECIFIER |
| QUANTITY  |
| DATE      |

## LUMIX SURFACE

### E15F026-

base number      Beam Angle  
Options

- To build a product code in our configurator select the specify button on the base model # product page
- To build a manual product code on this datasheet choose from the options listed below in blue font and add the suffix to the base model #

#### GENERAL

Series: LumiX  
 Partner: Diamante  
 Division: Exterior  
 Installation: Surface  
 Product Type: Flood  
 Mounting Location: Above Ground  
 Light Distribution: Adjustable / Direct

#### PHYSICAL

Shape: Rectangle  
 Length (mm): 614  
 Length (in): 24 1/4  
 Width (mm): 82  
 Width (in): 3 1/4  
 Height (mm): 272  
 Height (in): 10 3/4  
 Weight (kg): 7  
 Diffuser: Extra-Clear Tempered Sodium-Calcium Glass  
 Fixture Finish: ANB  
 Fixture Material: Aluminum Alloy

#### ELECTRICAL

Lamp Type: LED  
 Input Wattage (W): 150  
 Dimming: DMX  
 Driver Included: No  
 Driver Location: Remote  
 Driver Class: Class 2  
 Input Voltage (V): 120 - 277

#### LED

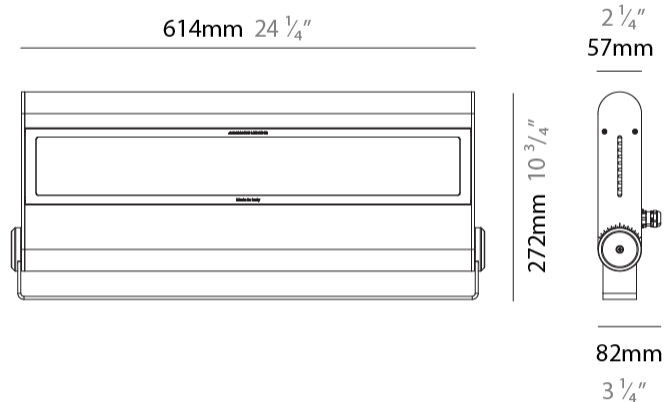
Number of LEDs: 72  
 Color Temperature (°K): RGBW  
 Max. Delivered Lumen (lm): 11225  
 Nominal Lumen (lm): 13325  
 CRI: >80 CRI  
 Lamp Life (hrs): 100000

#### OPTICAL

Beam Angle: 5,8,35,50,45x8,8x45,75x40,40x75,100,ASY

#### RATINGS AND CERTIFICATIONS

Certified By: Certified for North American Standards  
 IP rating: IP66  
 IK Rating: IK08



|           |
|-----------|
| PROJECT   |
| TYPE      |
| SPECIFIER |
| QUANTITY  |
| DATE      |

## LUMIX SURFACE

### E15F027-

base number      Color      Beam Angle  
 Temperature      Options

- To build a product code in our configurator select the specify button on the base model # product page
- To build a manual product code on this datasheet choose from the options listed below in blue font and add the suffix to the base model #

#### GENERAL

Series: LumiX  
 Partner: Diamante  
 Division: Exterior  
 Installation: Surface  
 Product Type: Flood  
 Mounting Location: Above Ground  
 Light Distribution: Adjustable / Direct

#### PHYSICAL

Shape: Rectangle  
 Length (mm): 804  
 Length (in): 31 3/4  
 Width (mm): 82  
 Width (in): 3 1/4  
 Height (mm): 272  
 Height (in): 10 3/4  
 Weight (kg): 9  
 Diffuser: Extra-Clear Tempered Sodium-Calcium Glass  
 Fixture Finish: ANB  
 Fixture Material: Aluminum Alloy

#### ELECTRICAL

Lamp Type: LED  
 Input Wattage (W): 200  
 Dimming: Non-Dimmable  
 Driver Included: Yes  
 Driver Location: Integrated  
 Driver Class: Class 2  
 Input Voltage (V): 120 - 277

#### LED

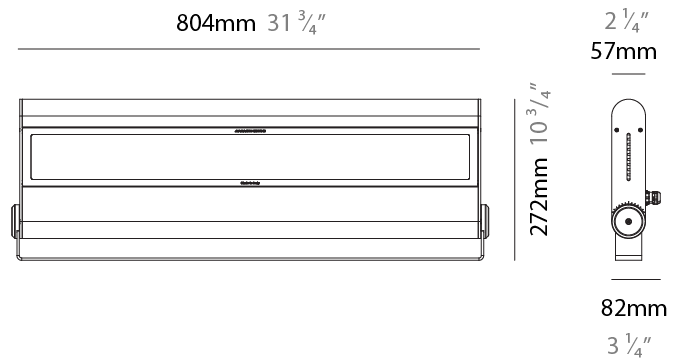
Number of LEDs: 72  
 Color Temperature (°K): 2200 / 3000 / 4000 / 5700  
 Max. Delivered Lumen (lm): Max 20180  
 Nominal Lumen (lm): Max 23955  
 CRI: >80 CRI  
 Lamp Life (hrs): 100000

#### OPTICAL

Beam Angle: 5,8,35,50,45x8,8x45,75x40,40x75,100,ASY

#### RATINGS AND CERTIFICATIONS

Certified By: Certified for North American Standards  
 IP rating: IP66  
 IK Rating: IK08



## LUMIX SURFACE

### E15F028-

base number      Beam Angle  
 Options

1. To build a product code in our configurator select the specify button on the base model # product page
2. To build a manual product code on this datasheet choose from the options listed below in blue font and add the suffix to the base model #

#### GENERAL

Series: LumiX  
 Partner: Diamante  
 Division: Exterior  
 Installation: Surface  
 Product Type: Flood  
 Mounting Location: Above Ground  
 Light Distribution: Adjustable / Direct

#### PHYSICAL

Shape: Rectangle  
 Length (mm): 804  
 Length (in): 31 3/4  
 Width (mm): 82  
 Width (in): 3 1/4  
 Height (mm): 272  
 Height (in): 10 3/4  
 Weight (kg): 9  
 Diffuser: Extra-Clear Tempered Sodium-Calcium Glass  
 Fixture Finish: ANB  
 Fixture Material: Aluminum Alloy

#### ELECTRICAL

Lamp Type: LED  
 Input Wattage (W): 200  
 Dimming: DMX  
 Driver Included: No  
 Driver Location: Remote  
 Driver Class: Class 2  
 Input Voltage (V): 120 - 277

#### LED

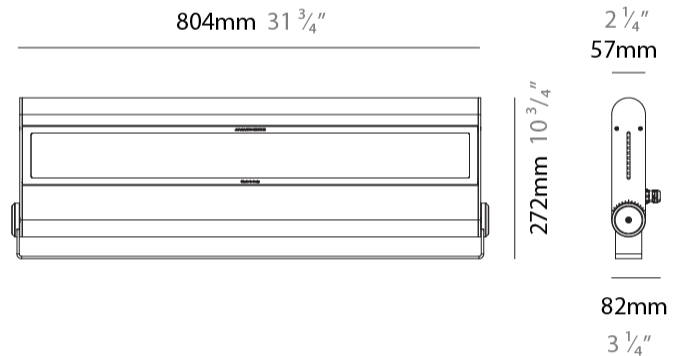
Number of LEDs: 72  
 Color Temperature (°K): RGBW  
 Max. Delivered Lumen (lm): Max 13140  
 Nominal Lumen (lm): Max 16435  
 CRI: >80 CRI  
 Lamp Life (hrs): 100000

#### OPTICAL

Beam Angle: 5,8,35,50,45x8,8x45,75x40,40x75,100,ASY

#### RATINGS AND CERTIFICATIONS

Certified By: Certified for North American Standards  
 IP rating: IP66  
 IK Rating: IK08



PROJECT

TYPE

SPECIFIER

QUANTITY

DATE

### Fixture Finish

**Digital:** Not all screens are calibrated the same, and therefore, colors will appear differently between screens.

**Physical:** When texture is involved, there will be variations in color, character and tone within a product series and between product families.



### LEGEND

|  |   |   |  |   |  |
|--|---|---|--|---|--|
|    | floor-mounted   |    | pivotal  |    | special LED (upon request) RGB, RGBW, tunable, gold+, meat+, art+, fashion+                    |
|    | wall and ceiling: recessed and surface mounted            |    | rotating   |    | warm dim / natural dimming LED   |
|    | ceiling-mounted and wall-mounted                          |    | illuminate tilted  |    | rechargeable battery powered   |
|    | wall-mounted  |    | color of suspension cable                                    |    | fixture with natural vivid LED (upon request)  |
|    | omni-directional light distribution                       |    | length of suspension cable                                   |    | color rendering index  |
|    | direct light distribution                                 |    | reflector degree selection                                   |    | color temperature  |
|    | direct/indirect light distribution                        |    | super spot   |    | lumen (luminous flux)  |
|    | indirect light distribution                               |    | lens   |    | efficacy (lumens per watt)   |
|    | asymmetric light distribution                             |    | lens pack  |    | Unified Glare Rating (UGR) range from 5-40   |
|    | aura light distribution                                   |    | shine ring   |    | marine grade (AISI 316 stainless steel)  |
|    | round wall or ceiling cut-out                             |    | integrated shine ring with diffuser                          |    | walk on  |
|    | square wall or ceiling cut-out                            |    | free individual colors 01-29                                 |    | drive on   |
|    | the supplied jig specifies the cutout dimensions          |    | individual colors: 00 (free of charge), 01-25 (extra charge) |    | Dark Sky Compliance  |
|    | minimum distance (meters) lamp - object                   |    | luminaire part to be colored (F1)                            |    | Americans with Disabilities Act (less than 4" off the wall located between 27"-84" from floor) |
|    | recessed depth  |    | luminaire part to be colored (F2)                            |    | lamp protected against explosion   |
|   | ceiling thickness in mm                                   |   | luminaire part to be colored (F3)                            |   | blown glass using traditional methods by master glass blower                                   |
|  | ceiling thickness selection                               |  | luminaire part to be colored (F4)                            |  | acoustic material  |
|  | dimmable DP (phase), DV (0-10V), DD (dali), DS (step-dim) |  | luminaire part to be colored (F5)                            |  | protection class I, protection insulation  |
|  | included or excluded LED driver/transformer/control gear  |  | color of 3-circuit adaptor                                   |  | protection class II, protection insulation   |
|  | separately switchable                                     |  | indirect diffuser  |  | ETL Certified to UL and CSA Standards  |
|  | sensor  |  | direct diffuser  |  | UL Certified to UL and CSA Standards   |
|  | remote control  |  | ball-proof (upon request)                                    |  | CSA Certified to UL and CSA Standards  |
|  | available upon request                                    |  | accessory  |  | Certified for North American Standards   |

### IP RATING

|   |  |
|---|--|
|  | protected against ingress of solid bodies greater than 12.5mm (finger)   |
|  | protected against ingress of solid bodies greater than 2.5mm<br>protected against sprays of water up to 60 degrees from the vertical (rain)      |
|  | protected against ingress of solid bodies greater than 1mm (wire)<br>no protection against the ingress of moisture                               |
|  | protected against ingress of solid bodies greater than 1mm (wire)<br>protected against sprays of water up to 60 degrees from the vertical (rain) |
|  | protected against ingress of solid bodies greater than 1mm (wire)<br>protected against water splashed from all directions                        |
|  | protected against limited ingress of dust (wet rooms/covered outdoor areas)<br>protected against water splashed from all directions              |
|  | protected against ingress of dust<br>protected against jets of water   |
|  | protected against ingress of dust<br>protected against powerful jets of water or heavy seas  |
|  | protected against ingress of dust<br>protected against immersion of water between 15cm - 1m for 30 minutes                                       |
|  | protected against ingress of dust<br>protected against immersion of water under pressure for long periods  |

### IK RATING

|   |   |
|---|---|
|  | protected against 0.14 joules impact (equivalent to 0.25kg mass dropped from 56mm above the surface)  |
|  | protected against 0.2 joules impact (equivalent to 0.25kg mass dropped from 80mm above the surface)   |
|  | protected against 0.35 joules impact (equivalent to 0.25kg mass dropped from 140mm above the surface) |
|  | protected against 0.5 joules impact (equivalent to 0.25kg mass dropped from 200mm above the surface)  |
|  | protected against 0.7 joules impact (equivalent to 0.25kg mass dropped from 280mm above the surface)  |
|  | protected against 1 joules impact (equivalent to 0.25kg mass dropped from 400mm above the surface)    |
|  | protected against 2 joules impact (equivalent to 0.5kg mass dropped from 400mm above the surface)     |
|  | protected against 5 joules impact (equivalent to 1.7kg mass dropped from 300mm above the surface)     |
|  | protected against 10 joules impact (equivalent to 5.0kg mass dropped from 200mm above the surface)    |
|  | protected against 20 joules impact (equivalent to 5.0kg mass dropped from 400mm above the surface)    |